

**StarTech.com**  
Hard-to-find made easy®

## 12U Hinged Wall-Mount Rack Enclosure



*Actual product may vary from photos*

### User Manual

SKU#: RK1232WALHM

For the latest information and specifications visit  
[www.startech.com/RK1232WALHM](https://www.startech.com/RK1232WALHM)

Manual Revision: 09/20/2019

## Compliance Statements

### **Use of Trademarks, Registered Trademarks, and other Protected Names and Symbols**

This manual may make reference to trademarks, registered trademarks, and other protected names and/or symbols of third-party companies not related in any way to StarTech.com. Where they occur these references are for illustrative purposes only and do not represent an endorsement of a product or service by StarTech.com, or an endorsement of the product(s) to which this manual applies by the third-party company in question. Regardless of any direct acknowledgement elsewhere in the body of this document, StarTech.com hereby acknowledges that all trademarks, registered trademarks, service marks, and other protected names and/or symbols contained in this manual and related documents are the property of their respective holders.

# Safety Statements

## Safety Measures

- Wiring terminations should not be made with the product and/or electric lines under power.
- Product installation and/or mounting should be completed by a certified professional as per the local safety and building code guidelines.
- Cables (including power and charging cables) should be placed and routed to avoid creating electric, tripping or safety hazards.

## Mesures de sécurité

- Les terminaisons de câblage ne doivent pas être effectuées lorsque le produit et/ou les câbles électriques sont sous tension.
- L'installation et/ou le montage du produit doit être réalisé par un professionnel certifié et dans le respect des normes locales et du code de construction local.
- Les câbles (y compris les câbles d'alimentation et de chargement) doivent être placés et acheminés de façon à éviter tout risque électrique, de chute ou de sécurité

## 安全対策

- 電源が入っている状態の製品または電線の終端処理を行わないでください。
- 製品の設置やマウントは、使用地域の安全ガイドラインおよび建築基準に従い、有資格の専門業者が行うようにしてください。
- ケーブル(電源ケーブルと充電ケーブルを含む)は、適切な配置と引き回しを行い、電気障害やつまづきの危険性など、安全上のリスクを回避するようにしてください。

## Misure di sicurezza

- I terminali dei fili elettrici non devono essere realizzate con il prodotto e/o le linee elettriche sotto tensione.
- L'installazione e/o il montaggio dei prodotti devono essere eseguiti da un tecnico professionale certificato che conosca le linee guida locali sulle norme edilizie e sulla sicurezza.
- I cavi (inclusi i cavi di alimentazione e di ricarica) devono essere posizionati e stesi in modo da evitare pericoli di inciampo, rischi di scosse elettriche o pericoli per la sicurezza.

## Säkerhetsåtgärder

- Montering av kabelavslutningar får inte göras när produkten och/eller elledningarna är strömförda.
- Installation och/eller montering får endast göras av behöriga yrkespersoner och enligt gällande lokala förordningar för säkerhet och byggnormer.
- Kablar (inklusive elkablar och laddningskablar) ska dras och placeras på så sätt att risk för snubblingsolyckor och andra olyckor kan undvikas.

## Warning Statements

- Make sure that you assemble this product according to the instructions.
- Do not exceed the weight capacity of this product. Overloading this product might result in injury or property damage. This product can support the following weight: Stationary = 198 lb. (90 kg).
- This product is intended for indoor use only and should not be used outdoors.
- This enclosure is extremely heavy. Never attempt to move or lift this enclosure without assistance.
- Tipping hazard! Extending multiple components from this enclosure increases the chance that the enclosure will tip over. To avoid this risk, do not extend more than one component from the enclosure.
- Do not place any items on this enclosure and do not stack the enclosure on top of another enclosure.
- Keep liquid away from this enclosure.
- Make sure that you install the enclosure in an area that can handle the combined weight of the enclosure and the equipment that you intend to place inside of the enclosure.
- This product requires an earth ground connection. Do not use this product without an earth ground connection.

## Varningar

- Se till att du monterar produkten i enlighet med instruktionerna.
- Överskrid inte produktens vikt kapacitet. Överbelastning av denna produkt kan leda till skador eller skador på egendom. Denna produkt kan stödja följande vikt: stationär: 90 kg.
- Produkten är endast avsedd för användning inomhus och ska inte användas utomhus.
- Detta skåp är extremt tungt. Försök aldrig flytta på skåpet eller lyfta det utan hjälp.
- Risk för vältning! Att förlänga flera komponenter från detta skåp ökar risken

för att det välter. Förläng inte fler än en komponent från skåpet för att undvika risk.

- Placera inte saker ovanpå skåpet och ställ inte skåpet ovanpå ett annat skåp.
- Håll vätskor borta från skåpet.
- Se till att du installerar skåpet på en plats som kan hantera den kombinerade vikten av skåpet och utrustningen som du tänker placera inuti.
- Produkten behöver en jordad anslutning. Använd inte produkten utan en jordad anslutning.

## Avertissements

- Assemblez ce produit conformément aux instructions.
- Ne dépassez pas la capacité pondérale de ce produit. Une surcharge de ce produit peut entraîner des dommages corporels ou matériels. Ce produit peut supporter le poids suivant, stationnaire = 90 kg.
- Ce produit est uniquement destiné à une utilisation en intérieur et ne doit pas être utilisé à l'extérieur.
- Ce rack de serveur est extrêmement lourd. Ne tentez jamais de le déplacer ou de le soulever sans aide.
- Risque de basculement ! L'extension de plusieurs composants à partir du rack de serveur augmente le risque de basculement. Pour éviter ce risque, n'étendez pas plus d'un composant à partir du rack de serveur.
- Ne placez aucun objet sur ce rack de serveur et n'empilez pas le rack sur un autre rack.
- N'approchez aucun liquide du rack de serveur.
- Veillez à installer le rack de serveur dans un endroit pouvant supporter le poids combiné du rack et des équipements que vous comptez placer à l'intérieur.
- Ce produit nécessite un raccordement à la terre. N'utilisez pas ce produit sans raccordement à la terre.

## Warnhinweise

- Beachten Sie bei der Montage dieses Produkts die Montageanweisungen.
- Überschreiten Sie nicht die Tragfähigkeit dieses Produkts. Das Überladen dieses Produkts kann zu Verletzungen oder Sachschäden führen. Dieses Produkt kann das folgende Gewicht tragen: Stationär = 90 kg.
- Dieses Produkt ist nur zum Gebrauch in Innenräumen vorgesehen und sollte nicht im Freien verwendet werden.
- Dieses Gehäuse ist extrem schwer. Versuchen Sie niemals, dieses Gehäuse ohne Hilfe zu bewegen oder anzuheben.
- Kippgefahr! Das Ausziehen mehrerer Komponenten aus diesem Gehäuse

erhöht die Chance, dass das Gehäuse umkippt. Um dies zu vermeiden, ziehen Sie niemals mehr als eine Komponente aus diesem Gehäuse aus.

- Platzieren Sie keine Gegenstände auf dem Gehäuse und stapeln Sie das Gehäuse nicht auf einem anderen Gehäuse.
- Halten Sie Flüssigkeiten von diesem Gehäuse fern.
- Vergewissern Sie sich, dass der Untergrund, auf dem das Gehäuse aufgestellt wird, in der Lage ist, das Gesamtgewicht des Gehäuses und der Geräte, die Sie darin platzieren möchten, zu tragen.
- Dieses Produkt erfordert einen Schutzleiteranschluss. Verwenden Sie das Produkt nicht ohne einen Schutzleiteranschluss.

## Dichiarazioni di avvertenza

- Assicurarsi di Assemblare il prodotto secondo le istruzioni.
- Non superare la capacità di carico massimo di questo prodotto onde evitare danni o lesioni alla proprietà. Questo prodotto e' in grado di supportare il peso riportato, Statico = 90 kg.
- Il prodotto è destinato all'uso in ambienti interni. Se ne sconsiglia l'impiego in ambienti esterni.
- Il box esterno è molto pesante. Non tentare di spostarlo o sollevarlo senza assistenza.
- Pericolo di ribaltamento! L'estensione di più componenti dal box esterno aumenta il rischio di ribaltamento del box esterno. Per evitare questo rischio, non estendere più di un componente dal box esterno.
- Non collocare oggetti sul box esterno e non impilare un box esterno sopra un altro.
- Tenere il box esterno lontano dai liquidi.
- Assicurarsi di installarlo in un punto che possa sorreggere il peso combinato del box esterno e dell'apparecchiatura che si intende collocare al suo interno.
- Il prodotto richiede una messa a terra. Non utilizzare il prodotto in assenza di una messa a terra.

## Mensagens de aviso

- Certifique-se de que monta este produto de acordo com as instruções.
- Não exceda a capacidade de peso deste produto. Sobrecarregar este produto pode resultar em ferimentos ou danos à propriedade. Este produto pode suportar o seguinte peso: estacionário: 90 kg.
- Este produto destina-se apenas a uma utilização no interior e não deve ser utilizado no exterior.
- Esta caixa é extremamente resistente. Nunca tente mover ou levantar esta caixa sem assistência.

- Perigo de queda! Estender vários componentes desta caixa aumenta a probabilidade desta caixa cair. Para evitar este risco, não expandir mais de um componente desta caixa.
- Não colocar nenhum artigo nesta caixa e não empilhar a caixa em cima de outra caixa.
- Manter líquidos afastados desta caixa.
- Certifique-se de que instala a caixa numa área que pode suportar o peso combinado da caixa e o equipamento que pretende colocar dentro da caixa.
- Este produto requer uma ligação à terra. Não utilize este produto sem uma ligação à terra.

## Advertencias de uso

- Asegúrese de ensamblar este producto según las instrucciones.
- No exceda la capacidad de carga de este producto. El sobrecargarlo puede ocasionar lesiones y daños en propiedad. Este producto puede soportar el siguiente peso, Estacionario = 90 kg.
- El uso de este producto es solo para interiores y no debe utilizarse en exteriores.
- La caja es extremadamente pesada. Nunca intente mover o alzar esta caja sin la debida asistencia de otra persona.
- ¡Peligro de vuelco! Añadir a esta caja varios componentes aumenta las posibilidades de peligro de vuelco de la caja. Para evitar dicho riesgo, no añada más que un solo componente.
- No coloque ningún elemento encima de la caja y no apile la caja encima de otra caja.
- Mantenga cualquier líquido lejos de la caja.
- Asegúrese de instalar la caja en un área que tenga capacidad para soportar el peso combinado de la caja y el equipo que va a instalar dentro de la misma.
- Este producto requiere conexión a tierra. No utilice este producto sin conexión a tierra.

## Waarschuwingen

- Zorg dat u dit product volgens de instructies in elkaar zet.
- Overschrijd de maximale capaciteit van dit product niet. Overbelasting De maximale gewichtscapaciteit mag niet overschreden worden. Overbelasting kan kan letsel of schade tot gevolg hebben. Dit product kan het volgende gewicht ondersteunen, stationair = 90 kg.
- Dit product is alleen bedoeld voor binnengebruik en mag niet buiten worden gebruikt.
- Deze behuizing is enorm zwaar. Probeer nooit deze behuizing te verplaatsen

- of op te tillen zonder hulp.
- Kantelgevaar! Wanneer meerdere componenten uit deze behuizing steken, bestaat de kans dat deze zal kantelen. Om dit risico te voorkomen, mag niet meer dan één component uit de behuizing steken.
  - Plaats geen voorwerpen op deze behuizing en stapel de behuizing niet op een andere behuizing.
  - Houd vloestof uit de buurt van deze behuizing.
  - Zorg dat u de behuizing installeert op een plaats die geschikt is voor het gecombineerde gewicht van de behuizing en de apparatuur die u in de behuizing wilt plaatsen.
  - Dit product vereist een gearde verbinding. Gebruik dit product niet zonder een gearde verbinding.

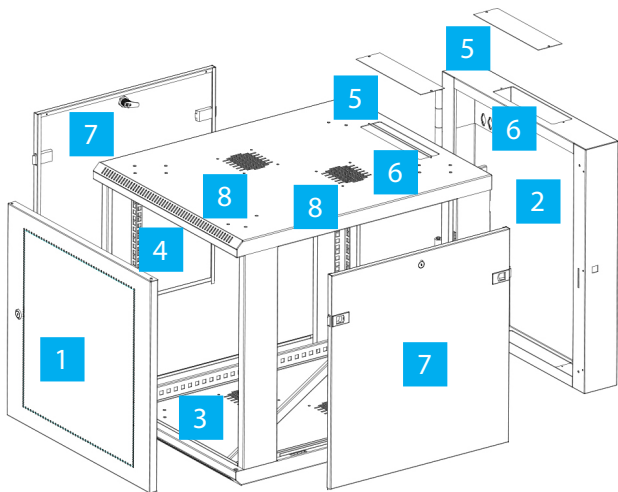
## 注意

- 必ず取扱説明書に従って本製品の組み立てを行って下さい。
- 本製品で定められた可搬重量を超えないようにして下さい。規定された重量を超えた場合、怪我や物的損害が発生することがあります。本製品は次の可搬重量に対応しています。[キヤスター静止時] = 90 kg
- 本製品は、室内での使用を想定しています。戸外では使用しないで下さい。
- 本製品は、非常に重いエンクロージャです。絶対に一人で持ち上げたり動かしたりしないで下さい。
- 転倒注意! 本製品から複数のコンポーネントが突き出した状態にしておくとうエンクロージャが転倒する恐れがあります。転倒リスクを回避するために、エンクロージャからはコンポーネントが突き出ないようにして下さい。
- 本製品の上に何も載せないで下さい。複数のエンクロージャを重ねて設置しないで下さい。
- 液体物をエンクロージャに近づけないようにして下さい。
- エンクロージャ自身と中に積載する装置の総重量に耐えられるエリアに設置して下さい。
- この製品にはアースが必要です。アース接続をしていない状態で本製品を使用しないでください。

# Table of Contents

Compliance Statements .....	1
Safety Statements .....	2
Warning Statements .....	3
Product Diagram .....	9
Product Information .....	10
Package contents .....	10
Requirements .....	10
Ground the Enclosure.....	11
Lock or unlock the front or rear door.....	12
Remove the side panels .....	12
Installing the Side Panels.....	13
Access your cables .....	14
Replacing the Cable Covers .....	15
Reverse the front door .....	15
Adjust the depth of the mounting rails.....	17
Using the Mounting Rail Tapped Holes .....	18
Mount the enclosure to the wall.....	18
Install equipment.....	19

## Product Diagram



<b>1</b>	<b>Front Door</b>	<b>5</b>	<b>Cable Access Cover</b>
<b>2</b>	<b>Rear Door</b>	<b>6</b>	<b>Cable Access Opening</b>
<b>3</b>	<b>Horizontal Mounting Rail</b>	<b>7</b>	<b>Side Panel</b>
<b>4</b>	<b>Vertical Mounting Rail</b>	<b>8</b>	<b>Vent</b>

## Product Information

### Package contents

- Wall-Mount Enclosure x 1
- 1U Shelf x 1
- Roll of Hook-and-Loop Fastener x 1
- 12-24 Cage Nuts x 48
- 12-24 Screws x 48
- Door Keys x 2
- Side Panel Keys x 2
- User Manual x 1

### Requirements

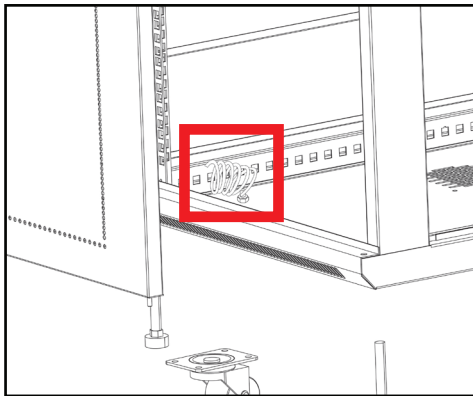
Requirements are subject to change. For the latest requirements, please visit [www.StarTech.com/RK1232WALHM](http://www.StarTech.com/RK1232WALHM).

- Phillips Head Screwdriver
- Appropriate tools and mounting hardware for the type of wall you're using

## Grounding the Enclosure

**Warning!** *This product must be grounded. Do not use this product without an earth ground connection.*

1. Use an **M6 Screw** to attach a **Grounding Wire** to the front or rear **Grounding Point** on the **Enclosure**.
2. Route the **Grounding Wire** under the **Frame** of the **Enclosure** and connect the **Grounding Wire** to your facility's earth ground connection.



*Grounding Wire*

## Locking or Unlocking the Front or Rear Door

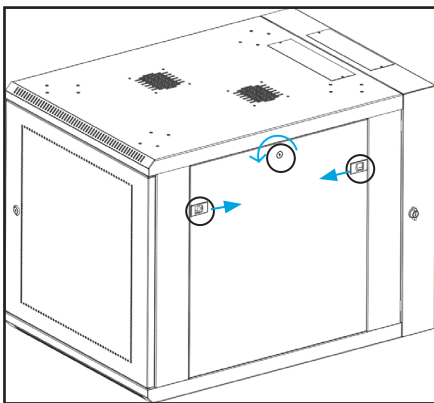
For additional security, the front and rear door of the **Enclosure** can be locked with the provided **Door Keys**.

- To lock or unlock the front or rear door of the **Enclosure**, insert one of the provided **Door Keys** in the **Lock** on the door and turn the key clockwise or counterclockwise.

## Removing the Side Panels

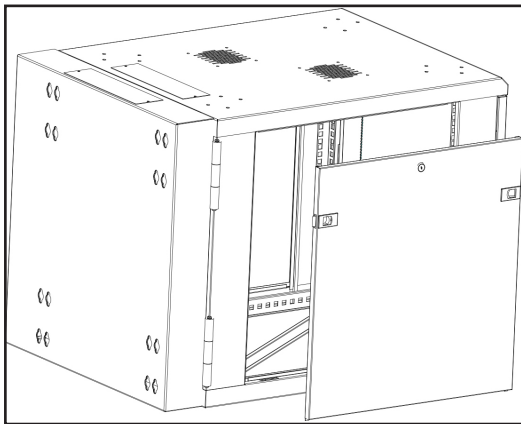
1. If the **Side Panels** are locked, use the provided **Side Panel Keys** to unlock the **Side Panels**.

2. Pull the two **Tabs** on the **Side Panel** towards the center of the panel.



*Removing the Side Panel*

3. While using proper lifting techniques, remove the **Side Panel** from the **Enclosure**.



*Removing the Side Panel from the Enclosure*

4. Repeat steps 1 to 3 to remove the other **Side Panel**.

## Installing the Side Panels

To put the **Side Panels** back on the **Enclosure**:

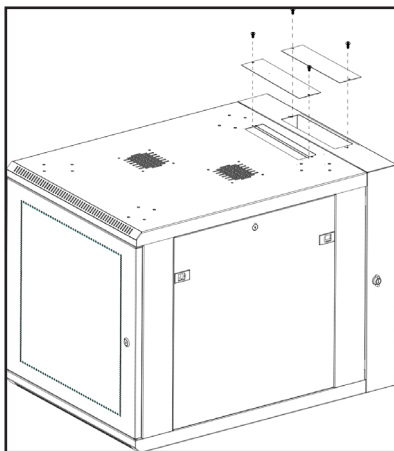
1. Place one of the **Side Panels** in the groove at the bottom of the **Enclosure**.
2. Pull the two **Tabs** on the **Side Panel** towards the center of the panel, push the top part of the **Side Panel** into the **Enclosure**, and release the **Tabs**.

3. Use one of the provided **Side Panel Keys** to lock the **Side Panel**.

## Accessing the Cables

There are two **Cable Access Covers** on the **Enclosure** that you can remove to access and manage your **Cables**.

1. To remove a **Cable Access Cover**, use a **Phillips Head Screwdriver** to remove the two screws on both ends of the **Cable Access Cover**.
2. Pull the **Cable Access Cover** away from the **Enclosure**.



*Removing the Cable Covers*

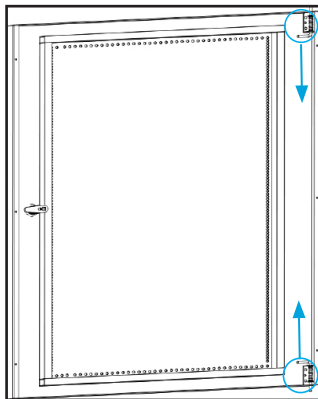
## Replacing the Cable Covers

1. Place the **Cable Access Cover** over the **Cable Access Opening**.
2. Insert the **Screws** through the **Cable Access Cover** and into the **Enclosure**.
3. Use a **Phillips Head Screwdriver** to tighten the screws.

## Reversing the Front Door

To accommodate different rack configurations, you can reverse the **Front Door** of the **Enclosure** so that it opens to the left or right of the **Enclosure**.

1. In the inside top corner of the **Front Door**, pull the **Lever** down and move the top corner of the **Front Door** away from the **Enclosure**.
2. In the inside bottom corner of the **Front Door**, pull the **Lever** up and remove the **Front Door** from the **Enclosure**.



Door Release Levers

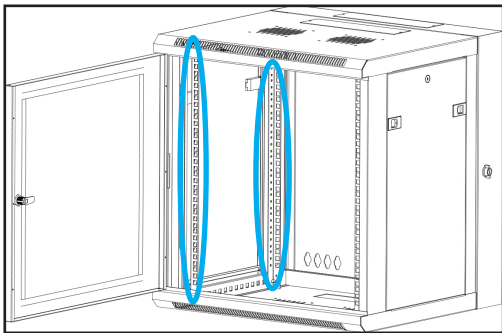
3. Flip the **Front Door** so that the **Levers** are located on the opposite side of the **Front Door**.
4. Position the **Front Door** so that the top and bottom **Levers** are aligned with the **Washers** located in the hinge area of the **Enclosure**.
5. In the top corner of the **Front Door**, pull the **Lever** down and align it with the **Washer** and **Hole** in the **Enclosure** and release the **Lever**.
6. In the bottom corner of the **Front Door**, pull the **Lever** up and align it with the washer and hole in the **Enclosure** and release the **Lever**.

## Adjust the depth of the mounting rails

The **Mounting Rails** come pre installed in the **Enclosure**. Both the **Front** and **Back Mounting Rails** can be adjusted independently in 3/4 inch (20 mm) increments.

**Warning!** Do not attempt to adjust the **Mounting Rails** when equipment is installed in the **Enclosure**. Remove the equipment first before you adjust the **Mounting Rails**.

1. Each of the **Mounting Rails** is connected to the **Enclosure** with a **Screw** and **Cage Nut** in the upper and lower corners of the **Mounting Rail**. Use a **Phillips Head Screwdriver** to remove the **Screws** and **Cage Nuts** from the **Mounting Rails**.
2. Install the **Cage Nuts** at the desired depth.
3. Slide the **Mounting Rail** to the depth of the **Cage Nuts** and use a **Phillips Head Screwdriver** to install and tighten the **Screws** that you removed in step 1.



*Move the Mounting Rails*

## Using the Mounting Rail Tapped Holes

**Warning!** Do not attempt to adjust the **Mounting Rails** when equipment is installed in the enclosure. Remove the equipment first before you adjust the mounting rails.

1. Each of the **Mounting Rails** is connected to the **Wall Mount** with a **Screw** and **Cage Nut** in the upper and lower corners of the **Mounting Rail**. Use a **Phillips Head Screwdriver** to remove the **Screws** and **Cage Nuts** from the **Mounting Rails**.
2. Change the location of the **Mounting Rails** so that the sides of the **Mounting Rails** with the **Tapped Holes** are facing the **Front Door**.

3. To reattach the **Mounting Rails**, use a **Phillips Head Screwdriver** to install and tighten the screws that you removed in step 1.

## Mounting the Enclosure to a Wall

**Warning!** Remove all equipment from the **Enclosure** before you attempt to mount the **Enclosure** to the wall.

Wall structures vary and it is important to make sure that the type of wall structure and mounting hardware that you are using will properly support the mounted equipment. Failure to do so might result in personal injury and/or equipment damage. The wall structure should be capable of supporting at least four times the weight of the mounted equipment.

The **Enclosure** weighs 99 lb. (45 kg) and can hold up to 198 lb. (90 kg) in weight.

**Warning!** If you lack the necessary expertise to attach this product to the wall that you're using, contact a construction professional to install the enclosure or to provide specific mounting instructions for your wall structure.

The number of **Mounting Holes** on the **Rear Door** of the **Enclosure** will vary depending on the model of the **Enclosure**. Each **Mounting Hole** can accommodate an M8, M10, 5/16", or 3/8" bolt.

- Follow the appropriate steps for the type of wall that you're attaching the enclosure to and attach the **Enclosure** to the wall.

**Caution!** *The enclosure is extremely heavy and you should not attempt to lift and hang the enclosure without the assistance of other people.*

## Installing Equipment in the Enclosure

**Warning!** *Do not add equipment to the **Enclosure** until the **Enclosure** is securely attached to the wall.*

*When you load equipment into this **Enclosure**, load the heaviest equipment in the bottom section of this **Enclosure** first. Continue loading equipment in a descending order of weight, so that the lighter equipment is installed in the upper sections of this **Enclosure** and the heavier items are on the bottom.*

The **Enclosure** comes with **Cage Nuts** and **Screws** but the equipment you're installing may come with **Mounting Hardware**. Consult the documentation that came with the equipment to determine the best mounting hardware that you should use and how you should install it.

1. Decide where in the **Enclosure** you want to install the equipment and insert the **Cage Nuts** in the **Mounting Rails**.
2. Line up the **Mounting Holes** on the equipment with the **Cage Nuts**.
3. Insert the **Screws** through the **Mounting Holes** on the equipment and into the **Cage Nuts**.

## Warranty Information

This product is backed by a five-year warranty.

For further information on product warranty terms and conditions, please refer to [www.startech.com/warranty](http://www.startech.com/warranty).

## Limitation of Liability

In no event shall it be the liability of StarTech.com Ltd. and StarTech.com USA LLP (or their officers, directors, employees or agents) for any damages (whether direct or indirect, special, punitive, incidental, consequential, or otherwise), loss of profits, loss of business, or any pecuniary loss, arising out of or related to the use of the product exceed the actual price paid for the product.

Some states do not allow the exclusion or limitation of incidental or consequential damages. If such laws apply, the limitations or exclusions contained in this statement may not apply to you.

## Hard-to-find made easy. At StarTech.com, that isn't a slogan. It's a promise.

StarTech.com is your one-stop source for every connectivity part you need. From the latest technology to legacy products — and all the parts that bridge the old and new — we can help you find the parts that connect your solutions.

We make it easy to locate the parts, and we quickly deliver them wherever they need to go. Just talk to one of our tech advisors or visit our website. You'll be connected to the products you need in no time.

Visit [www.startech.com](http://www.startech.com) for complete information on all StarTech.com products and to access exclusive resources and time-saving tools.

StarTech.com is an ISO 9001 Registered manufacturer of connectivity and technology parts. StarTech.com was founded in 1985 and has operations in the United States, Canada, the United Kingdom and Taiwan servicing a worldwide market.

### Reviews

Share your experiences using StarTech.com products, including product applications and setup, what you love about the products, and areas for improvement.

#### StarTech.com Ltd.

45 Artisans Cres.  
London, Ontario  
N5V 5E9  
Canada

FR: [fr.startech.com](http://fr.startech.com)

DE: [de.startech.com](http://de.startech.com)

#### StarTech.com LLP

2500 Creekside Pkwy.  
Lockbourne, Ohio  
43137  
U.S.A.

ES: [es.startech.com](http://es.startech.com)

NL: [nl.startech.com](http://nl.startech.com)

#### StarTech.com Ltd.

Unit B, Pinnacle  
15 Gowerton Rd.,  
Brackmills  
Northampton  
NN4 7BW  
United Kingdom

IT: [it.startech.com](http://it.startech.com)

JP: [jp.startech.com](http://jp.startech.com)