

Europe, Middle East

ENGLISH
FRANÇAIS
DEUTSCH
NEDERLANDS
ITALIANO
ESPAÑOL
PORTUGUÊS
РУССКИЙ
ΕΛΛΗΝΙΚΑ
TÜRKÇE
POLSKI
العربية

North America/ Norteamérica

ENGLISH
FRANÇAIS
ESPAÑOL

Latin America/ América Latina

ENGLISH
ESPAÑOL
PORTUGUÊS



THRUSTMASTER®

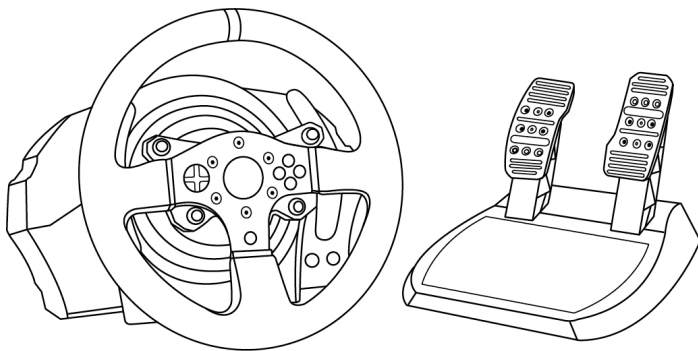
T150

FORCE FEEDBACK

T150

FORCE FEEDBACK

User Manual



WARNING:

To ensure that your T150 racing wheel functions correctly with games, you may be required to install the game's automatic updates (available when your system is connected to the Internet).

ENGLISH

FRANÇAIS

DEUTSCH

NEDERLANDS

ITALIANO

ESPAÑOL

PORTUGUÊS

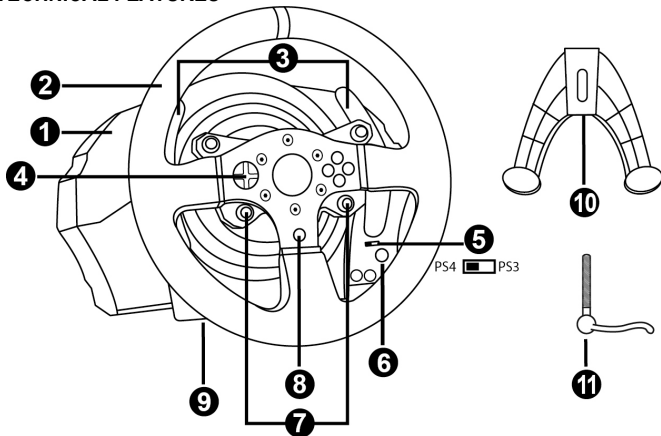
РУССКИЙ

ΕΛΛΗΝΙΚΑ

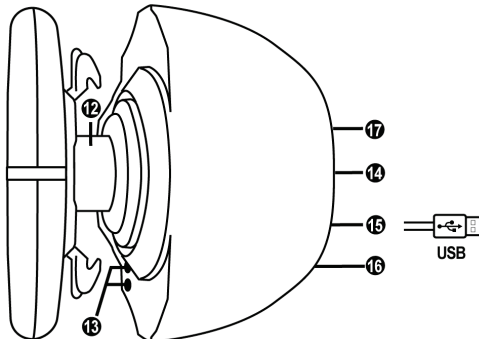
TÜRKÇE

POLSKI

TECHNICAL FEATURES



- | | |
|-------------------------------------------------------------------------------------------------------------------------------------------------------------------------------------------------------------------------------------------------------------------------------|----------------------------------------------------------------------------------------------------------------------------------------------------------------------------------------------------------------------------------------------------------------------------|
| <ul style="list-style-type: none"> 1 T150 base 2 Wheel 3 2 sequential paddle shifters (up & down) 4 Directional buttons 5 Built-in USB sliding switch for PS4™/PS3™ 6 MODE button + red/green indicator light | <ul style="list-style-type: none"> 7 SELECT/START buttons on PS3™ and SHARE/OPTIONS on PS4™ 8 PS button 9 Large threaded hole (for attachment system and fastening screw) 10 Attachment system 11 Metal fastening screw |
|-------------------------------------------------------------------------------------------------------------------------------------------------------------------------------------------------------------------------------------------------------------------------------|----------------------------------------------------------------------------------------------------------------------------------------------------------------------------------------------------------------------------------------------------------------------------|



- | | |
|----------------------------------------------------------------------------------------------------------------------------------------------------------------------------------------------------|----------------------------------------------------------------------------------------------------------------------------------------------------------------------------------------------|
| <ul style="list-style-type: none"> 12 Steering axis 13 L3/R3 buttons 14 Power cable or Power supply connector <i>(varies from one country to another)</i> | <ul style="list-style-type: none"> 15 Racing wheel USB cable and connector 16 Gearbox connector <i>(gearbox sold separately)</i> 17 Pedal set connector |
|----------------------------------------------------------------------------------------------------------------------------------------------------------------------------------------------------|----------------------------------------------------------------------------------------------------------------------------------------------------------------------------------------------|

PLUGGING THE RACING WHEEL INTO AN ELECTRICAL OUTLET: PLEASE READ BEFORE PROCEEDING!

Your racing wheel's power supply varies according to the country where you purchased your device.

European versions only

Important note: the European version of the T150 is equipped with an internal power supply, located directly inside the racing wheel's base.

The European version must exclusively be supplied with 220V!
Never open the racing wheel base – shock hazard!



Power Supply
220~240V 50Hz 0.8A

- Simply connect the racing wheel's mains connector to a 220V power outlet.

Other versions (non-European)

Note: Contrary to the European version, the non-European T150 features an external power supply; a specific device is provided with the racing wheel.

- Connect the external adapter to the relevant connector located at the back of the racing wheel, then connect the external mains power adapter to a standard power outlet featuring the same voltage.

WARNING

Before using this product, please read this manual carefully and save it for later reference.



Warning – Electrical shock

- * Keep the product in a dry location and do not expose it to dust or sunlight.
- * Do not twist or pull on the connectors and cables.
- * Do not spill any liquid on the product or its connectors.
- * Do not short-circuit the product.
- * Never dismantle the product; do not throw it onto a fire and do not expose it to high temperatures.
- * Do not use a power supply cable other than the one provided with your racing wheel.
- * Do not use the power supply cable if the cable or its connectors are damaged, split or broken.
- * Make sure that the power supply cable is properly plugged into an electrical outlet, and properly connected to the connector at the rear of the racing wheel's base.
- * Do not open up the racing wheel: there are no user-serviceable parts inside. Any repairs must be carried out by the manufacturer, its authorised representative or a qualified technician.
- * Only use attachment systems/accessories specified by the manufacturer.
- * If the racing wheel is operating abnormally (if it is emitting any abnormal sounds, heat or odours), stop using it immediately, unplug the power supply cable from the electrical outlet and disconnect the other cables.
- * If you will not be using the racing wheel for an extended period of time, unplug its power supply cable from the electrical outlet.



Air vents

Make sure not to block any of the air vents on the racing wheel's base. For optimal ventilation, make sure to do the following:

- * Position the wheel's base at least 10cm away from any wall surfaces.
- * Do not place the base in any tight spaces.
- * Do not cover the base.
- * Do not let any dust build up on the air vents.



**For safety reasons, never use the pedal set with bare feet
or while wearing only socks on your feet.**

**THRUSTMASTER® DISCLAIMS ALL RESPONSIBILITY IN THE EVENT OF
INJURY RESULTING FROM USE OF THE PEDAL SET WITHOUT SHOES.**



Warning – Injuries due to force feedback and repeated movements

Playing with a force feedback racing wheel may cause muscle or joint pain. To avoid any problems:

- * Avoid lengthy gaming periods.
- * Take 10 to 15 minute breaks after each hour of play.
- * If you feel any fatigue or pain in your hands, wrists, arms, feet or legs, stop playing and rest for a few hours before you start playing again.



Warning – Injuries due to force feedback and repeated movements (continued)

- * If the symptoms or pain indicated persist when you start playing again, stop playing and consult your doctor.
- * Keep out of children's reach.
- * During gameplay, always leave both hands correctly positioned on the wheel without completely letting go.
- * During gameplay, never place your hands or your fingers under the pedals or anywhere near the pedal set.
- * During calibration and gameplay, never place your hand or your arm through the openings in the racing wheel.
- * Make sure that the racing wheel's base is properly secured, as per this manual's instructions.

HEAVY PRODUCT



Product to be handled only by users
14 years of age or older



Be careful not to drop the product on
yourself or on anyone else!

ALWAYS



NEVER



NEVER





Warning – Pedal set pinch hazard when playing

- * Keep the pedal set out of children's reach.
- * During gameplay, never place your fingers on or anywhere near the sides of the pedals.
- * During gameplay, never place your fingers on or anywhere near the pedal's rear base.
- * During gameplay, never place your fingers on or anywhere near the pedal's front base.



Warning – Pedal set pinch hazard when not playing

- * Store the pedal set in a safe place, and keep it out of children's reach.

UPDATING YOUR RACING WHEEL'S FIRMWARE

The firmware included in your racing wheel's base can be updated to a more recent version featuring product enhancements.

To display the firmware version that your racing wheel is currently using and update it if required: on PC, visit <http://ts.thrustmaster.com>. In the **Updates and Downloads** section, click **PlayStation® / Wheels / T150**, then select **Driver/Firmware** and follow the instructions describing the download and installation procedure.

Important note:

On PC, the USB sliding switch (5) on the racing wheel's base must always be set to the PS3™ position.

ADJUSTING THE PEDAL INCLINATION

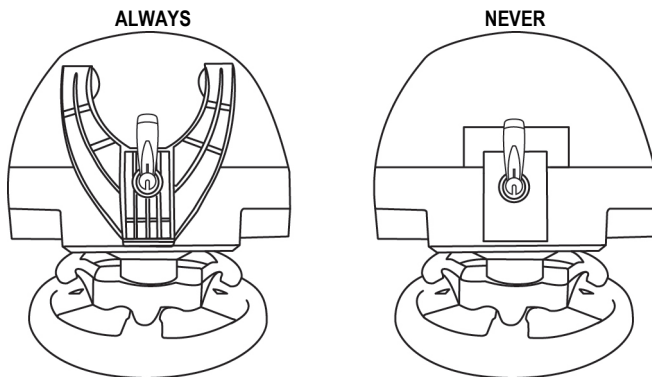
The pedal inclination is adjustable.

The adjustment instructions for each pedal are available at <http://ts.thrustmaster.com>. In the **Updates and Downloads** section, click **PlayStation® / Wheels / T150**, then select **Manual/Help** file.

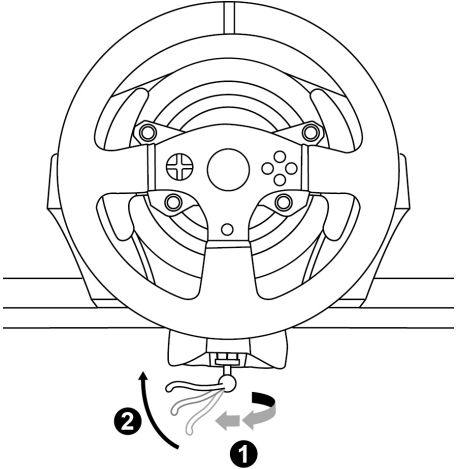
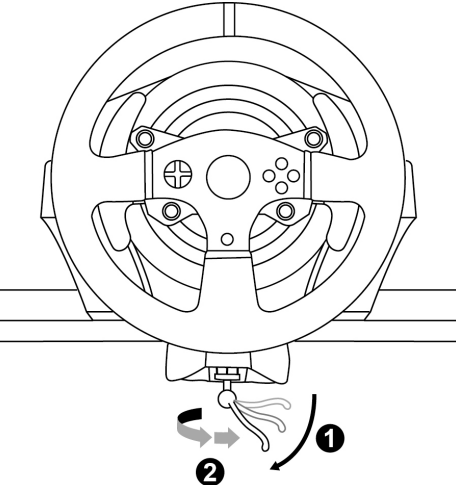
ATTACHING THE RACING WHEEL

Attaching the racing wheel to a table or a desktop

1. Place the racing wheel on a table or any other horizontal, flat and stable surface.
2. Insert the fastening screw (11) in the attachment system (10), then tighten the device by turning the screw counterclockwise, so that it feeds into the large threaded hole (9) located beneath the racing wheel, until the wheel is perfectly stable.



WARNING: Never tighten the screw alone, without the attachment system in place!
(This could damage the racing wheel.)

| ATTACHMENT / REMOVAL | DIRECTION |
|---------------------------------------------------------------------------------|------------------------------------------------------------------------------------|
| <p><u>To tighten:</u></p> <p><i>Turn the screw anticlockwise</i></p> |  |
| <p><u>To release:</u></p> <p><i>Turn the screw clockwise</i></p> |  |

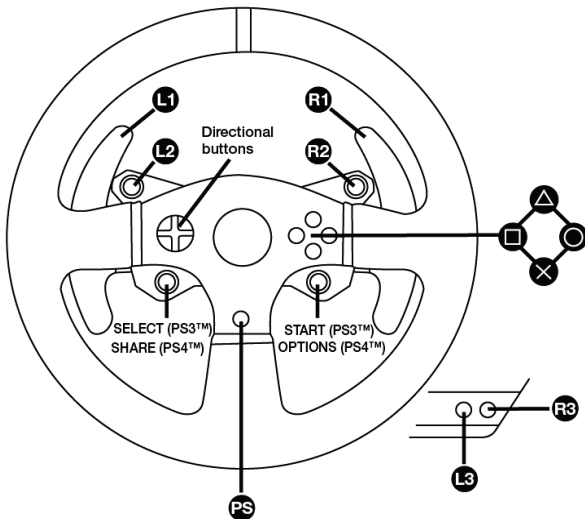
Attaching the pedal set to a cockpit

1. Attach the pedal set using the small screw threads located on its underside.
2. Drive two M6 screws (not included) through the cockpit shelf, then feed them into the two small screw threads located on the underside of the pedal set.

Important: The length of the two M6 screws must not exceed the thickness of the shelf + 10 mm; longer screws could cause damage to internal components located in the pedal set.

Layout diagrams for cockpits (for positioning the racing wheel's base and/or the pedal set) are available at <http://ts.thrustmaster.com>: in the **Updates and Downloads** section, click **PlayStation® / Wheels / T150**, then select **Manual/Help file**.

PLAYSTATION®3 AND PLAYSTATION®4 MAPPING



SETTING UP THE RACING WHEEL FOR PLAYSTATION®3 OR PLAYSTATION®4

1. Connect the pedal set to the connector (17) located at the back of the racing wheel's base.
2. Connect the power supply cable to the connector (14) located at the back of the racing wheel's base.
3. Plug the power supply cable into an electrical outlet with the same voltage specifications.



For more information about this, please refer to the *PLUGGING THE RACING WHEEL INTO AN ELECTRICAL OUTLET* section, on page 3 in this manual.

4. Set the USB sliding switch (5) on the racing wheel's base to either the PS3™ or PS4™ position, depending on the system or the game you are using.
5. Connect the racing wheel's USB connector (15) to one of the system's USB ports.
6. Once your system is powered on, your racing wheel will calibrate itself automatically.
7. On PlayStation®4 (when the USB sliding switch is set to the PS4™ position): press the racing wheel's PS button (8) and sign in to your Sony Entertainment Network account, in order to be able to use the wheel.

You are now ready to play!

Important notes:

- The USB sliding switch (5) on the racing wheel's base must always be set to the proper position (PS3™ or PS4™) before connecting the wheel's USB cable to the system. To change the sliding switch's position, disconnect the USB cable from the system and then change the position of the switch before reconnecting the USB cable to the system.
- On PlayStation®3, the USB sliding switch (5) must always be set to the PS3™ position:
 - * The wheel is recognised in most games as a T500RS wheel.
 - * The wheel is functional in compatible games and in system menus.
 - * The "PS" function is functional on the wheel.
- On PlayStation®4, with the USB sliding switch (5) in the PS3™ position:
 - * The wheel is recognised in most games as a T500RS wheel.
 - * The wheel is functional in compatible games, but not in system menus.
 - * The "SHARE" and "PS" functions are not functional on the wheel.
- On PlayStation®4, with the USB sliding switch (5) in the PS4™ position:
 - * Don't forget to press the racing wheel's PS button (8) in order to be able to use the wheel.
 - * The wheel is recognised in most games as a T300 RS or T150 wheel.
 - * The wheel is functional in compatible games and in system menus.
 - * The "SHARE" and "PS" functions are functional on the wheel.
- *The list of PlayStation®3 and PlayStation®4 games compatible with the T150 (along with the required position for the USB sliding switch (5) according to the game being played) is available at:*

<http://ts.thrustmaster.com>

(in the Updates and Downloads section, click PlayStation® / Wheels / T150).

This list is updated regularly.

SETTING UP THE RACING WHEEL FOR PC*

*PC compatibility not tested nor endorsed by Sony Computer Entertainment Europe

Important note:

On PC, the USB sliding switch (5) on the racing wheel's base must always be set to the PS3™ position.

1. Go to <http://ts.thrustmaster.com> to download the drivers and the force feedback software for PC. In the Updates and Downloads section, click PC / Wheels / T150, then select Drivers.
2. Once the download is complete, launch the installation, and follow the on-screen instructions to connect the wheel's USB plug to your computer and complete the installation.
3. Once the installation is complete, click Finish and restart your computer.
4. Select Start / All Programs / Thrustmaster / FFB Racing Wheel / Control Panel to open the Game Controllers window.

The Game Controllers window displays the racing wheel's name T150 Racing Wheel with the status OK.

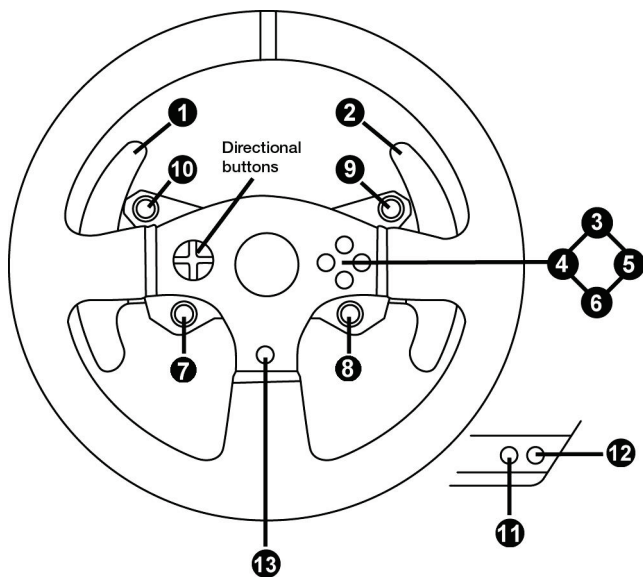
5. Click Properties to configure your wheel in the T150 control panel:
 - Test Input tab: allows to test and view the action buttons, directional buttons, wheel and pedals axes, and to adjust the wheel's rotation angle in your PC games.
 - Test Forces tab: allows to test 12 force feedback effects.
 - Gain Settings tab: allows to adjust the power of the force feedback effects in your PC games.

You are now ready to play!

General notes:

- On PC, click OK to close the Game Controllers window before launching the game.
- On PC, the adjustments made in the Game Controllers window will only be saved on your computer (hence they will have no effect on PlayStation®3 or PlayStation®4).
- Your wheel's firmware version is displayed in the upper right-hand corner of the T150 control panel tabs.

PC MAPPING



AUTOMATIC RACING WHEEL AND PEDAL SET CALIBRATION

The wheel automatically self-calibrates when you plug the racing wheel into an electrical outlet and connect the racing wheel's USB connector to the PlayStation®3 or PlayStation®4 system. During this phase, the racing wheel will rotate quickly towards the left and the right, covering a 1080 degree angle, before stopping at the centre.



WARNING:

Never touch the racing wheel during the self-calibration phase!
(This could result in improper calibration and/or personal injuries.)

AUTOMATIC CALIBRATION OF THE PEDAL SET

Never connect the pedal set to the racing wheel's base (or disconnect it from the base) when it is connected to the system or during gameplay (this could result in improper calibration).

Always connect the pedal set before connecting the racing wheel to the system.

Once the racing wheel's calibration is complete and the game has been started, the pedals are automatically calibrated after a few presses.



WARNING:

Never press the pedals during the racing wheel's self-calibration phase or while a game is loading!
(This could result in improper calibration.)

If your racing wheel and/or pedal set do not function correctly, or if they seem to be improperly calibrated:

Power off your system and completely disconnect the racing wheel. Then reconnect all cables (including the power supply cable and the pedal set), and restart your system and your game.

MODE BUTTON AND INDICATOR LIGHT (6)

MODE button for the pedal set

The pedal set included with the T150 features 2 pedals.

When using this pedal set, make sure that the indicator light remains red, or else the gas pedal will not function properly.

The T150 is also compatible with Thrustmaster pedal sets featuring 3 pedals (*sold separately*); these allow you to electronically swap the accelerator and clutch pedals.

To do so, simply press the MODE button (6) for 2 seconds.

The racing wheel's internal memory stores whether the pedals have been swapped around or not.

| GAS AND CLUTCH PEDALS | Colour of the MODE indicator light (6) |
|-----------------------|----------------------------------------|
| NORMAL | RED |
| SWAPPED AROUND | GREEN |

Other information regarding the MODE button

To learn more about the MODE button and indicator light, please visit <http://ts.thrustmaster.com>. In the **Updates and Downloads** section, click **PlayStation® / Wheels / T150**, then select **Manual/Help** file.

HELP FILES AND FAQs (NOT INCLUDED IN THIS MANUAL)

Please visit <http://ts.thrustmaster.com>, and in the **Updates and Downloads** section, click **PlayStation® / Wheels / T150**, then select **Manual/Help** file.

Consumer warranty information

Worldwide, Guillemot Corporation S.A., whose registered office is located at Place du Granier, B.P. 97143, 35571 Chantepie, France (hereinafter "Guillemot") warrants to the consumer that this Thrustmaster product shall be free from defects in materials and workmanship, for a warranty period which corresponds to the time limit to bring an action for conformity with respect to this product. In the countries of the European Union, this corresponds to a period of two (2) years from delivery of the Thrustmaster product. In other countries, the warranty period corresponds to the time limit to bring an action for conformity with respect to the Thrustmaster product according to applicable laws of the country in which the consumer was domiciled on the date of purchase of the Thrustmaster product (if no such action exists in the corresponding country, then the warranty period shall be one (1) year from the original date of purchase of the Thrustmaster product).

Notwithstanding the above, rechargeable batteries are covered by a warranty period of six (6) months from the date of original purchase.

Should the product appear to be defective during the warranty period, immediately contact Technical Support, who will indicate the procedure to follow. If the defect is confirmed, the product must be returned to its place of purchase (or any other location indicated by Technical Support).

Within the context of this warranty, the consumer's defective product shall, at Technical Support's option, be either replaced or returned to working order. If, during the warranty period, the Thrustmaster product is subject to such reconditioning, any period of at least seven (7) days during which the product is out of use shall be added to the remaining warranty period (this period runs from the date of the consumer's request for intervention or from the date on which the product in question is made available for reconditioning, if the date on which the product is made available for reconditioning is subsequent to the date of the request for intervention). If permitted under applicable law, the full liability of Guillemot and its subsidiaries (including for consequential damages) is limited to the return to working order or the replacement of the Thrustmaster product. If permitted under applicable law, Guillemot disclaims all warranties of merchantability or fitness for a particular purpose.

This warranty shall not apply: (1) if the product has been modified, opened, altered, or has suffered damage as a result of inappropriate or abusive use, negligence, an accident, normal wear, or any other cause unrelated to a material or manufacturing defect (including, but not limited to, combining the Thrustmaster product with any unsuitable element, including in particular power supplies, rechargeable batteries, chargers, or any other elements not supplied by Guillemot for this product); (2) in the event of failure to comply with the instructions provided by Technical Support; (3) to software, said software being subject to a specific warranty; (4) to consumables (elements to be replaced over the product's lifespan: disposable batteries, audio headset or headphone ear pads, for example); (5) to accessories (cables, cases, pouches, bags, wrist-straps, for example); (6) if the product was sold at public auction.

This warranty is nontransferable.

The consumer's legal rights with respect to laws applicable to the sale of consumer goods in his or her country are not affected by this warranty.

Additional warranty provisions

During the warranty period, Guillemot shall not provide, in principle, any spare parts, as Technical Support is the only party authorized to open and/or recondition any Thrustmaster product (with the exception of any reconditioning procedures which Technical Support may request that the consumer carry out, by way of written instructions – for example, due to the simplicity and the lack of confidentiality of the reconditioning process – and by providing the consumer with the required spare part(s), where applicable).

Given its innovation cycles and in order to protect its know-how and trade secrets, Guillemot shall not provide, in principle, any reconditioning notification or spare parts for any Thrustmaster product whose warranty period has expired.

Liability

If permitted under applicable law, Guillemot Corporation S.A. (hereinafter "Guillemot") and its subsidiaries disclaim all liability for any damages caused by one or more of the following: (1) the product has been modified, opened or altered; (2) failure to comply with assembly instructions; (3) inappropriate or abusive use, negligence, an accident (an impact, for example); (4) normal wear. If permitted under applicable law, Guillemot and its subsidiaries disclaim all liability for any damages unrelated to a material or manufacturing defect with respect to the product (including, but not limited to, any damages caused directly or indirectly by any software, or by combining the Thrustmaster product with any unsuitable element, including in particular power supplies, rechargeable batteries, chargers, or any other elements not supplied by Guillemot for this product).

THRUSTMASTER®

TECHNICAL SUPPORT

<http://ts.thrustmaster.com>



COPYRIGHT

© 2015 Guillemot Corporation S.A. All rights reserved. Thrustmaster® is a registered trademark of Guillemot Corporation S.A.

Licensed for sale in Europe, Africa, Middle East, Russia, India and Oceania. For use exclusively with PlayStation®3 and PlayStation®4.

"PS" logo, "PlayStation", "PS3" and "PS4" are registered trademarks of Sony Computer Entertainment Inc. "PS4" is a trademark of the same company. All rights reserved.

All other trademarks and brand names are hereby acknowledged and are property of their respective owners. Illustrations not binding. Contents, designs and specifications are subject to change without notice and may vary from one country to another. Made in China.

TouchSense® technology licensed from Immersion Software Ireland Limited. Protected by one or more of the U.S. Patents found at the following address: www.immersion.com/patent-marking.html, and other patents pending.

Manufactured and distributed by Guillemot Corporation S.A.

ENVIRONMENTAL PROTECTION RECOMMENDATION

* In the European Union: At the end of its working life, this product should not be disposed of with standard household waste, but rather dropped off at a collection point for the disposal of Waste Electrical and Electronic Equipment (WEEE) for recycling.

This is confirmed by the symbol found on the product, user manual or packaging.



Depending on their characteristics, the materials may be recycled. Through recycling and other forms of processing Waste Electrical and Electronic

Equipment, you can make a significant contribution towards helping to protect the environment.

Please contact your local authorities for information on the collection point nearest you.

For all other countries: Please adhere to local recycling laws for electrical and electronic equipment.

Retain this information. Colours and decorations may vary.

Plastic fasteners and adhesives should be removed from the product before it is used.

www.thrustmaster.com

*Applicable to EU and Turkey only



immersion.

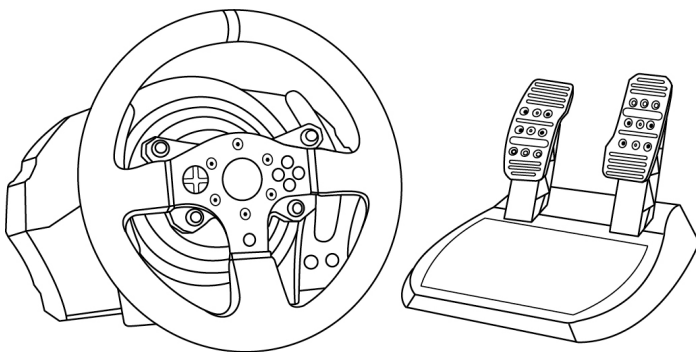




T150

FORCE FEEDBACK

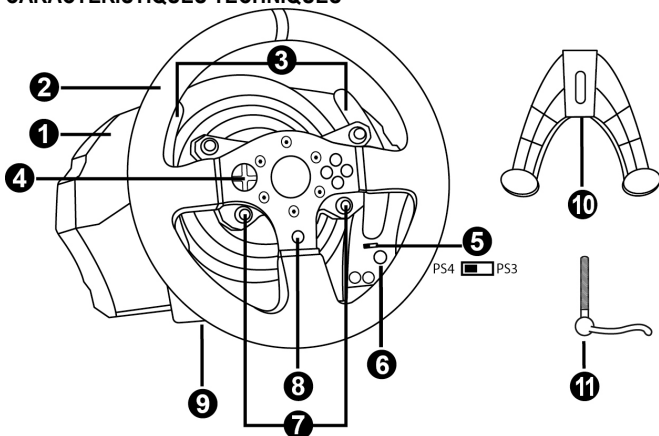
Manuel de l'utilisateur



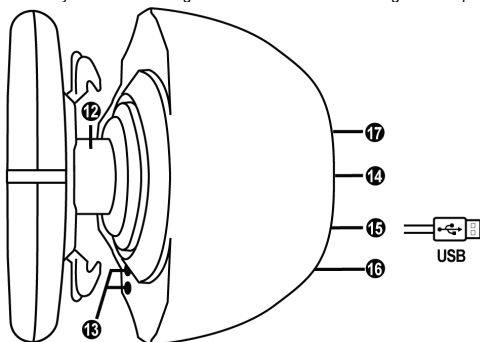
ATTENTION :

Pour que le volant T150 fonctionne correctement avec les jeux, il peut être nécessaire d'installer les mises à jour automatiques de ces jeux (*disponibles lorsque votre console est connectée à Internet*).

CARACTÉRISTIQUES TECHNIQUES



- | | |
|-------------------------------------------------------------------------------------------------------------------------------------------------------------------------------------------------------------------------------------------------------|-----------------------------------------------------------------------------------------------------------------------------------------------------------------------------------------------------------------------------------|
| <p>1 Base T150</p> <p>2 Roue du volant</p> <p>3 2 leviers séquentiels de changement de vitesse (up & down)</p> <p>4 Croix multidirectionnelle</p> <p>5 Sélecteur USB intégré pour PS4™/PS3™</p> <p>6 Bouton MODE + Voyant lumineux rouge/vert</p> | <p>7 Boutons SELECT/START sur PS3™ et SHARE/OPTIONS sur PS4™</p> <p>8 Bouton PS</p> <p>9 Gros pas de vis (pour le système de fixation et la vis de serrage)</p> <p>10 Système de fixation</p> <p>11 Vis de serrage métallique</p> |
|-------------------------------------------------------------------------------------------------------------------------------------------------------------------------------------------------------------------------------------------------------|-----------------------------------------------------------------------------------------------------------------------------------------------------------------------------------------------------------------------------------|



- | | |
|------------------------------------------------------------------------------------------------------------------------------------------------------------|----------------------------------------------------------------------------------------------------------------------------------------------------------------------------|
| <p>12 Axe de direction</p> <p>13 Boutons L3 / R3</p> <p>14 Câble secteur ou Connecteur pour l'adaptateur secteur (diffère d'un pays à l'autre)</p> | <p>15 Câble et connecteur USB du volant</p> <p>16 Connecteur pour la boîte de vitesses (boîte de vitesses vendue séparément)</p> <p>17 Connecteur pour le pédalier</p> |
|------------------------------------------------------------------------------------------------------------------------------------------------------------|----------------------------------------------------------------------------------------------------------------------------------------------------------------------------|

RELIER LE VOLANT AU SECTEUR = A LIRE IMPERATIVEMENT

L'alimentation secteur de votre volant diffère selon le pays dans lequel vous avez acheté votre volant.

Pour les versions européennes (uniquement)

Remarque importante : l'alimentation du T150 version européenne est interne et donc située directement dans la base du volant.

La version européenne ne doit être branchée que sur du 220V. !
Ne jamais ouvrir la base du volant : risque de choc électrique !



Power Supply
220~240V 50Hz 0.8A

- Reliez tout simplement la prise secteur du volant sur une prise de courant 220V.

Pour les autres versions (non-européennes)

Remarque : à la différence de la version européenne, l'alimentation du T150 version non-européenne est externe avec un adaptateur secteur externe spécifique fourni.

- Reliez l'adaptateur secteur externe en branchant son connecteur à l'arrière du volant, puis branchez l'adaptateur secteur externe sur une prise de courant correspondant au même voltage.

AVERTISSEMENTS

Avant d'utiliser ce produit, lisez attentivement cette documentation et conservez-la pour pouvoir la consulter ultérieurement.



Avertissement – Choc électrique

- * Conservez le produit dans un endroit sec et ne l'exposez ni à la poussière ni au soleil.
- * Ne tordez pas et ne tirez pas sur les connecteurs et câbles.
- * Ne renversez pas de liquide sur le produit et ses connecteurs.
- * Ne mettez pas le produit en court-circuit.
- * Ne démontez jamais le produit, ne le jetez pas au feu et ne l'exposez pas à des températures élevées.
- * N'utilisez pas de câble d'alimentation autre que celui fourni avec votre volant.
- * N'utilisez pas le câble d'alimentation secteur si celui-ci où ses connecteurs sont endommagés, fendus ou cassés.
- * Assurez-vous que le câble d'alimentation secteur est parfaitement inséré dans la prise murale et dans son connecteur situé à l'arrière de la base du volant.
- * N'ouvrez pas l'appareil. L'appareil ne contient pas de pièces réparables par l'utilisateur. Confiez toute réparation au fabricant, à une agence spécifiée ou un technicien qualifié.
- * Utilisez uniquement les systèmes de fixation /accessoires spécifiés par le fabricant.
- * Si le volant fonctionne de manière anormale (s'il émet des sons, de la chaleur ou des odeurs anormales), arrêtez immédiatement de l'utiliser, débranchez le câble d'alimentation de la prise électrique et déconnectez les autres câbles.
- * Lorsque vous n'utilisez pas le volant pendant une période prolongée, débranchez le câble d'alimentation secteur de la prise électrique.



Grilles d'aération

Veillez à n'obstruer aucune grille d'aération de la base du volant. Pour assurer une ventilation optimale, respectez les points ci-après :

- * Placez la base à 10 cm au moins d'une surface murale.
- * Ne placez pas la base dans un endroit exigü.
- * Ne couvrez pas la base.
- * Ne laissez pas la poussière s'accumuler sur les grilles d'aération.



Pour des raisons de sécurité, ne jouez pas pieds nus ou en chaussettes lorsque vous utilisez le pédalier.

THRUSTMASTER® DECLINE TOUTE RESPONSABILITE EN CAS DE BLESSURE SUITE A UNE UTILISATION DU PEDALIER SANS CHAUSSURES.



Avertissement – Blessures dues au retour de force et aux mouvements répétitifs

Jouer avec un volant à retour de force peut causer des douleurs aux muscles et aux articulations. Afin d'éviter tout problème :

- * Evitez les périodes trop longues de jeu.
- * Faites une pause de 10 à 15 minutes après chaque heure de jeu.
- * Si vous éprouvez fatigue ou douleur au niveau des mains, des poignets, des bras, des pieds ou des jambes, cessez de jouer et reposez-vous pendant quelques heures avant de recommencer à jouer.



Avertissement – Blessures dues au retour de force et aux mouvements répétitifs (suite)

- * Si les symptômes ou les douleurs indiqués ci-dessus persistent lorsque vous reprenez le jeu, arrêtez de jouer et consultez votre médecin.
- * Laissez hors de portée des enfants.
- * Lors des phases de jeu, laissez toujours vos deux mains correctement positionnées sur le volant sans jamais le lâcher complètement.
- * Lors des phases de jeu, ne placez jamais vos mains ou vos doigts sous les pédales ou à proximité du pédalier.
- * Lors des phases de calibration et de jeu, ne jamais introduire une main ou un bras à l'intérieur de la roue du volant.
- * Vérifiez que la base du volant est correctement fixée, conformément aux instructions du manuel.

PRODUIT LOURD



Produit à manipuler uniquement par des personnes âgées de 14 ans ou plus



Ne pas laisser tomber le produit sur vous ou une autre personne

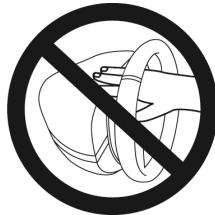
TOUJOURS



JAMAIS



JAMAIS





Avertissement – Risque de pincement au niveau du pédalier lors des phases de jeu

- * Laissez le pédalier hors de portée des enfants.
- * Lors des phases de jeu, ne placez jamais vos doigts sur ou à proximité des côtés des pédales.
- * Lors des phases de jeu, ne placez jamais vos doigts sur ou à proximité de la base arrière des pédales.
- * Lors des phases de jeu, ne placez jamais vos doigts sur ou à proximité de la base avant des pédales.

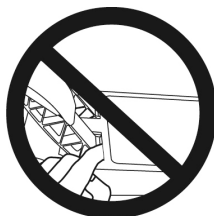
JAMAIS



JAMAIS



JAMAIS



Avertissement – Risque de pincement au niveau du pédalier lorsque vous n'utilisez pas le pédalier

- * Placez le pédalier dans un endroit sûr et hors de portée des enfants.

METTRE A JOUR LE FIRMWARE DU VOLANT

Le firmware inclus dans la base du volant peut être mis à jour (ce qui signifie qu'il peut être mis à jour par des versions plus récentes comportant des améliorations produits).

Pour afficher la version de firmware de votre volant et le mettre à jour si nécessaire : sur PC, allez sur <http://ts.thrustmaster.com>, dans la section **Mise à jour et téléchargement**, cliquez sur **PlayStation® / Volant / T150** puis **Pilote/Firmware** et suivez les instructions et la procédure de téléchargement et d'installation.

Remarque importante :

Pour fonctionner sur PC, le sélecteur USB (5) de la base du volant doit toujours être en position PS3™.

AJUSTEMENT DE L'INCLINAISON DES PÉDALES

L'inclinaison des pédales est ajustable.

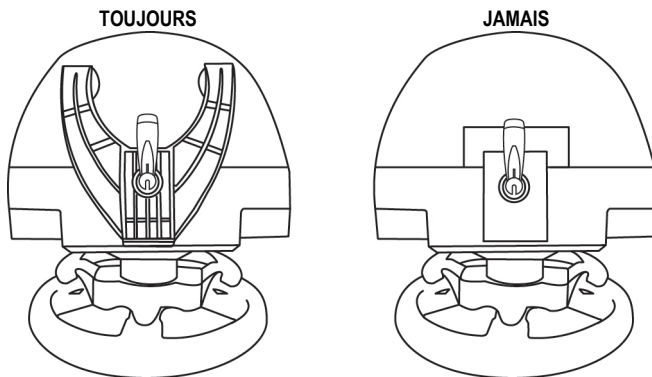
Les instructions d'ajustement de l'inclinaison de chaque pédale sont disponibles sur

<http://ts.thrustmaster.com>. Dans la section **Mise à jour et téléchargement**, cliquez sur **PlayStation® / Volant / T150**, puis **Manuel / Fichier aide**.

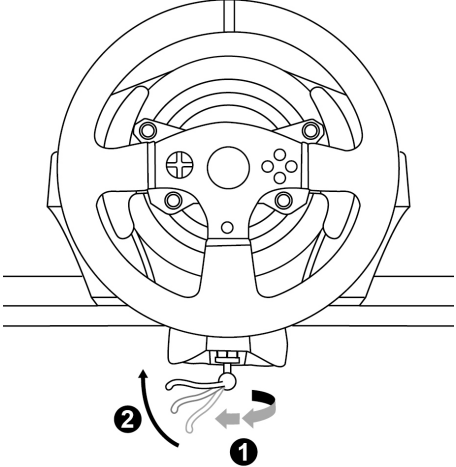
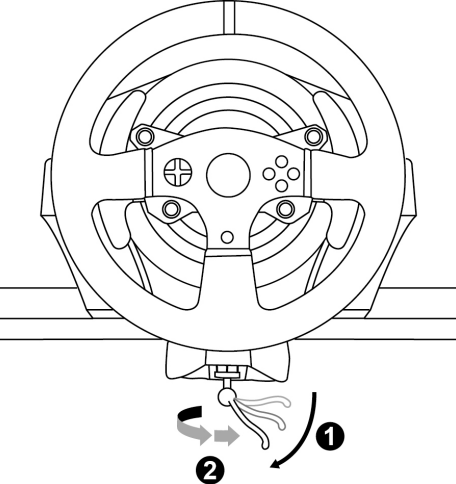
FIXATION DU VOLANT

Fixer le volant sur une table ou un bureau

1. Placez le volant sur une table ou autre surface plane.
2. Placez la vis de serrage (**11**) dans le système de fixation (**10**), puis vissez l'ensemble (dans le sens inverse des aiguilles d'une montre) dans le gros pas de vis (**9**) situé sous le volant, jusqu'à ce que ce dernier soit parfaitement stable.



ATTENTION : Ne jamais visser la vis de serrage seule sans le système de fixation !
(au risque de détériorer le volant).

| MONTAGE / DEMONTAGE | SENS |
|---------------------------------------------------------------------------------------------------------------------|------------------------------------------------------------------------------------|
| <p><u>Pour serrer :</u></p> <p><i>Vissez dans le sens inverse des aiguilles d'une montre</i></p> |  |
| <p><u>Pour desserrer :</u></p> <p><i>Dévissez dans le sens des aiguilles d'une montre</i></p> |  |

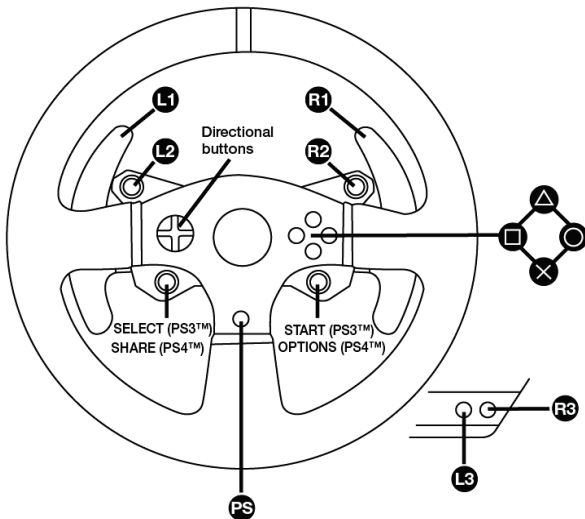
Fixer le pédalier sur un cockpit

1. Fixez le pédalier à l'aide des petits pas de vis situés sous ce dernier.
2. Vissez 2 vis M6 (non fournies) dans la tablette du cockpit et dans les 2 petits pas de vis situés sous le pédalier.

Important : La longueur de ces 2 vis M6 ne doit pas dépasser l'épaisseur de votre support +10 mm pour ne pas endommager les composants internes au pédalier.

Plan d'implantation (de la base ou du pédalier) pour les cockpits disponible sur <http://ts.thrustmaster.com>, (dans la rubrique PlayStation® / Volants / T150 / Manuel – Fichier Aide)

MAPPING PLAYSTATION®3 ET PLAYSTATION®4



INSTALLATION SUR PLAYSTATION®3 OU PLAYSTATION®4

1. Reliez le pédalier à son connecteur (17) situé à l'arrière de la base du volant.
2. Reliez le câble d'alimentation à son connecteur (14) situé à l'arrière de la base du volant.
3. Reliez le câble d'alimentation sur une prise de courant ayant le même voltage.



Pour plus d'informations sur ce point, reportez-vous au chapitre RELIER LE VOLANT AU SECTEUR (p.3 de ce manuel).

4. Positionnez le sélecteur USB (5) de la base du volant en position PS3™ ou PS4™ en fonction de la console ou du jeu utilisé(e).
5. Branchez le connecteur USB (15) du volant sur l'un des ports USB de la console.
6. Une fois votre console allumée, votre volant s'autocalibre de manière automatique.
7. Sur PlayStation®4 (lorsque le sélecteur USB est en position PS4™), appuyez sur le bouton PS (8) du volant, puis connectez-vous à votre compte Sony Entertainment Network pour que votre volant soit fonctionnel.

Vous êtes maintenant prêt à jouer !

Remarques importantes :

- Le sélecteur USB (5) de la base du volant du toujours être positionné dans la bonne position (PS3™ ou PS4™) avant de brancher l'USB du volant à la console.
Pour changer de position, débranchez le câble USB, puis changez la position du sélecteur avant de rebrancher le câble USB à la console.
- Sur PlayStation®3, le sélecteur USB (5) doit toujours être en position PS3™ :
 - * Le volant est reconnu dans la plupart des jeux comme un volant T500RS.
 - * Le volant est fonctionnel dans les jeux compatibles et dans les menus de la console.
 - * La fonction PS est fonctionnelle sur le volant.
- Sur PlayStation®4, avec le sélecteur USB (5) en position PS3™ :
 - * Le volant est reconnu dans la plupart des jeux comme un volant T500RS.
 - * Le volant est fonctionnel dans les jeux compatibles mais pas dans les menus de la console.
 - * Les fonctions SHARE et PS ne sont pas fonctionnelles sur le volant.
- Sur PlayStation®4, avec le sélecteur USB (5) en position PS4™ :
 - * N'oubliez pas d'appuyer sur bouton PS (8) du volant pour que celui-ci soit fonctionnel.
 - * Le volant est reconnu dans la plupart des jeux comme un volant T300 RS ou T150.
 - * Le volant est fonctionnel dans les jeux compatibles et dans les menus de la console.
 - * Les fonctions SHARE et PS sont fonctionnelles sur le volant.
- La liste des jeux PlayStation®3 et PlayStation®4 compatibles avec le T150 (ainsi que la position nécessaire du sélecteur USB en fonction du jeu utilisé) est disponible ici :
<http://ts.thrustmaster.com> (dans la rubrique PlayStation® / Volants / T150).
Cette liste est régulièrement mise à jour.

INSTALLATION SUR PC*

*Compatibilité PC non testée ni endossée par Sony Computer Entertainment Europe

Remarque importante :

Pour fonctionner sur PC, le sélecteur USB (5) de la base du volant doit toujours être en position PS3™.

1. Allez sur <http://ts.thrustmaster.com> pour télécharger les pilotes et le logiciel Force Feedback pour PC. Dans la section Mise à jour et téléchargement, cliquez sur PC / Volants / T150, puis Pilotes.
2. Une fois le téléchargement terminé, lancez l'installation, puis suivez les instructions affichées à l'écran pour brancher le connecteur USB du volant sur votre PC et pour terminer l'installation.
3. Une fois l'installation terminée, cliquez sur Terminer et redémarrez votre ordinateur.
4. Sélectionnez Démarrer / Tous les programmes / Thrustmaster / FFB Racing Wheel / Panneau de configuration pour ouvrir la fenêtre Contrôleurs de jeu.

La fenêtre Contrôleurs de jeu affiche le nom du volant Thrustmaster T150 Racing Wheel avec l'état OK.

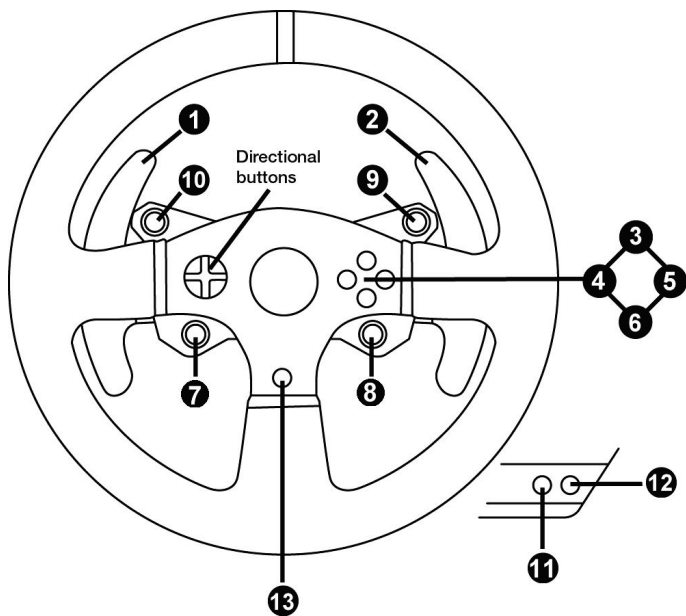
5. Cliquez sur Propriétés pour configurer votre volant dans le panneau de configuration du T150 :
 - Onglet Test du périphérique : permet de tester et visualiser les boutons, la croix multidirectionnelle, les axes du volant et du pédalier, et d'ajuster l'angle de rotation du volant dans vos jeux PC.
 - Onglet Tester les forces : permet de tester 12 effets de retour de force.
 - Onglet Ajuster les forces : permet d'ajuster la puissance des effets de retour de force dans vos jeux PC.

Vous êtes maintenant prêt à jouer !

Remarques générales :

- Sur PC, pensez à toujours fermer complètement la fenêtre Contrôleurs de jeu en cliquant sur OK avant de lancer votre jeu.
- Sur PC, les réglages et ajustements effectués dans la fenêtre Contrôleurs de jeu ne seront sauvegardés que sur votre PC (et n'auront donc aucune incidence sur PlayStation®3 ou PlayStation®4).
- La version du firmware de votre volant apparaît en haut à droite dans les onglets du panneau de configuration T150.

MAPPING PC



CALIBRAGE AUTOMATIQUE DU VOLANT ET DES PEDALES

La roue du volant s'autocalibre de manière automatique une fois le volant relié au secteur et le connecteur USB connecté au système PlayStation®3 ou PlayStation®4.

Cette opération entraîne des mouvements rapides du volant de gauche à droite sur 1080° avant de s'immobiliser au centre.



ATTENTION :

**Lors des phases d'autocalibration de la roue du volant, ne jamais toucher au volant
(au risque de fausser la calibration ou de se blesser).**

CALIBRAGE AUTOMATIQUE DES PEDALES

Ne jamais débrancher ou brancher le pédalier de la base du volant lorsque celui-ci est connecté à la console ni en cours de jeu (pour ne pas fausser la calibration)

= le pédalier doit toujours être branché avant de relier le volant à la console.

Une fois le volant autocalibré et le jeu lancé, les pédales se calibrent automatiquement après quelques pressions.



ATTENTION :

**Lors des phases d'autocalibration de la roue du volant et lorsque votre jeu se lance,
ne jamais appuyer sur les pédales
(au risque de fausser la calibration)**

Si votre volant et vos pédales ne fonctionnent pas correctement ou semblent mal calibrés :

Eteignez votre console, déconnectez entièrement votre volant, reconnectez tous les câbles (avec le câble d'alimentation secteur et le pédalier), redémarrez et relancez votre jeu.

BOUTON MODE ET SON VOYANT LUMINEUX (6)

Bouton MODE pour le pédalier

Le pédalier livré par défaut avec le T150 est de type 2 pédales.

Avec ce pédalier, la couleur du voyant lumineux doit toujours être rouge, sinon la pédale d'accélérateur ne fonctionnera pas.

Le T150 est également compatible avec des pédales Thrustmaster 3 pédales (*vendus séparément*) dont vous pouvez inverser électroniquement la pédale d'accélérateur et d'embrayage.

Pour ce faire, appuyez simplement sur le bouton MODE (6) pendant 2 secondes.

L'inversion ou non des pédales est alors instantanément enregistrée dans la mémoire interne du volant.

| PEDALE D'ACCELERATEUR ET D'EMBRAYAGE | Couleur du voyant lumineux MODE (6) |
|--------------------------------------|-------------------------------------|
| NORMALE | ROUGE |
| INVERSEE | VERT |

Autres astuces pour le bouton MODE

Pour profiter d'autres astuces concernant le bouton MODE et son voyant lumineux, allez sur <http://ts.thrustmaster.com>. Dans la section **Mise à jour et téléchargement**, cliquez sur **PlayStation® / Volant / T150**, puis **Manuel / Fichier Aide**.

AIDES & FAQ DIVERSES (non notifiées dans ce manuel)

Allez sur <http://ts.thrustmaster.com>. Dans la section **Mise à jour et téléchargement**, cliquez sur **PlayStation® / Volant / T150** puis **Manuel / Fichier Aide**.

INFORMATIONS RELATIVES A LA GARANTIE AUX CONSOMMATEURS

Dans le monde entier, Guillemot Corporation S.A., ayant son siège social Place du Granier, B.P. 97143, 35571 Chantepie, France (ci-après « Guillemot ») garantit au consommateur que le présent produit Thrustmaster est exempt de défaut matériel et de vice de fabrication, et ce, pour une période de garantie qui correspond au délai pour intenter une action en conformité de ce produit. Dans les pays de l'Union Européenne, ce délai est de deux (2) ans à compter de la délivrance du produit Thrustmaster. Dans les autres pays, la durée de la période de garantie correspond au délai pour intenter une action en conformité du produit Thrustmaster selon la législation en vigueur dans le pays où le consommateur avait son domicile lors de l'achat du produit Thrustmaster (si une telle action en conformité n'existe pas dans ce pays alors la période de garantie est de un (1) an à compter de la date d'achat d'origine du produit Thrustmaster).

Nonobstant ce qui précède, les batteries sont garanties six (6) mois à compter de la date d'achat d'origine.

Si, au cours de la période de garantie, le produit semble défectueux, contactez immédiatement le Support Technique qui vous indiquera la procédure à suivre. Si le défaut est confirmé, le produit devra être retourné à son lieu d'achat (ou tout autre lieu indiqué par le Support Technique).

Dans le cadre de la garantie, le consommateur bénéficiera, au choix du Support Technique, d'un remplacement ou d'une remise en état de marche du produit défectueux. Si, pendant la période de garantie, le produit Thrustmaster fait l'objet d'une telle remise en état, toute période d'immobilisation d'au moins sept jours vient s'ajouter à la durée de la garantie qui restait à courir (cette période court à compter de la demande d'intervention du consommateur ou de la mise à disposition pour remise en état du produit en cause, si cette mise à disposition est postérieure à la demande d'intervention). Lorsque la loi applicable l'autorise, toute responsabilité de Guillemot et ses filiales (y compris pour les dommages indirects) se limite à la remise en état de marche ou au remplacement du produit Thrustmaster. Lorsque la loi applicable l'autorise, Guillemot exclut toutes garanties de qualité marchande ou d'adaptation à un usage particulier.

Cette garantie ne s'appliquera pas : (1) si le produit a été modifié, ouvert, altéré, ou a subi des dommages résultant d'une utilisation inappropriée ou abusive, d'une négligence, d'un accident, de l'usure normale, ou de toute autre cause non liée à un défaut matériel ou à un vice de fabrication (y compris, mais non limitativement, une combinaison du produit Thrustmaster avec tout élément inadapté, notamment alimentations électriques, batteries, chargeurs, ou tous autres éléments non-fournis par Guillemot pour ce produit) ; (2) en cas de non respect des instructions du Support Technique ; (3) aux logiciels, lesdits logiciels faisant l'objet d'une garantie spécifique ; (4) aux consommables (éléments à remplacer pendant la durée de vie du produit ; piles, coussinets de casque audio, par exemple) ; (5) aux accessoires (câbles, étuis, housses, sacs, dragonnes, par exemple) ; (6) si le produit a été vendu aux enchères publiques.

Cette garantie n'est pas transférable.

Les droits légaux du consommateur au titre de la législation applicable dans son pays à la vente de biens de consommation ne sont pas affectés par la présente garantie.

Par exemple, en France, indépendamment de la présente garantie, le vendeur reste tenu de la garantie légale de conformité mentionnée aux articles L. 211-4 à L. 211-13 du code de la consommation et de celle relative aux défauts (vices cachés) de la chose vendue, dans les conditions prévues aux articles 1641 à 1648 et 2232 du code civil. La loi applicable (c'est-à-dire la loi française) impose de reproduire les extraits de la loi française suivants :

Article L. 211-4 du code de la consommation :

Le vendeur est tenu de livrer un bien conforme au contrat et répond des défauts de conformité existant lors de la délivrance.

Il répond également des défauts de conformité résultant de l'emballage, des instructions de montage ou de l'installation lorsque celle-ci a été mise à sa charge par le contrat ou a été réalisée sous sa responsabilité.

Article L. 211-5 du code de la consommation :

Pour être conforme au contrat, le bien doit :

1° Être propre à l'usage habituellement attendu d'un bien semblable et, le cas échéant :

- correspondre à la description donnée par le vendeur et posséder les qualités que celui-ci a présentées à l'acheteur sous forme d'échantillon ou de modèle ;

- présenter les qualités qu'un acheteur peut légitimement attendre eu égard aux déclarations publiques faites par le vendeur, par le producteur ou par son représentant, notamment dans la publicité ou l'étiquetage ;

2° Ou présenter les caractéristiques définies d'un commun accord par les parties ou être propre à tout usage spécial recherché par l'acheteur, porté à la connaissance du vendeur et que ce dernier a accepté.

Article L. 211-12 du code de la consommation:

L'action résultant du défaut de conformité se prescrit par deux ans à compter de la délivrance du bien.

Article L. 1641 du code civil:

Le vendeur est tenu de la garantie à raison des défauts cachés de la chose vendue qui la rendent impropre à l'usage auquel on la destine, ou qui diminuent tellement cet usage que l'acheteur ne l'aurait pas acquise, ou n'en aurait donné qu'un moindre prix, s'il les avait connus.

Article L. 1648 alinéa 1er du code civil:

L'action résultant des vices rédhibitoires doit être intentée par l'acquéreur dans un délai de deux ans à compter de la découverte du vice.

Stipulations additionnelles à la garantie

Pendant la période de garantie, Guillemot ne fournira, en principe, pas de pièce détachée car le Support Technique est seul habilité tant à ouvrir qu'à remettre en état tout produit Thrustmaster (à l'exception des remises en état que le Support Technique demanderait, par instructions écrites, au consommateur d'effectuer -par exemple en raison de la simplicité et de l'absence de confidentialité du processus de remise en état-, en lui fournissant, le cas échéant, la ou les pièces détachées nécessaires).

Compte tenu de ses cycles d'innovation et pour préserver ses savoir-faire et secrets, Guillemot ne fournira, en principe, ni notice de remise en état, ni pièce détachée pour tout produit Thrustmaster dont la période de garantie est expirée.

Responsabilité

Lorsque la loi applicable l'autorise, Guillemot Corporation S.A. (ci-après « Guillemot ») et ses filiales excluent toute responsabilité pour tous dommages causés par un ou plusieurs des faits suivants: (1) le produit a été modifié, ouvert, altéré, (2) l'irrespect des instructions de montage, (3) l'utilisation inappropriée ou abusive, la négligence, l'accident (un choc, par exemple), (4) l'usure normale du produit. Lorsque la loi applicable l'autorise, Guillemot et ses filiales excluent toute responsabilité pour tout dommage dont la cause n'est pas liée à un défaut matériel ou à un vice de fabrication du produit (y compris, mais non limitativement, tout dommage causé directement ou indirectement par tout logiciel, ou par une combinaison du produit Thrustmaster avec tout élément inadapté, notamment alimentations électriques, batteries, chargeurs, ou tous autres éléments non-fournis par Guillemot pour ce produit).

THRUSTMASTER®

SUPPORT TECHNIQUE

<http://ts.thrustmaster.com>



COPYRIGHT

© 2015 Guillemot Corporation S.A. Tous droits réservés. Thrustmaster® est une marque déposée de Guillemot Corporation S.A.

Licence accordée pour la vente en Europe, Afrique, Moyen-Orient, Inde, Russie et Océanie. A utiliser exclusivement avec PlayStation®3 et PlayStation®4.

"PS", "PlayStation", "PS3" et "PS4" sont des marques déposées de Sony Computer Entertainment Inc. "PS4" est une marque de la même société. Tous droits réservés.

Toutes les autres marques sont la propriété de leurs propriétaires respectifs. Illustrations non contractuelles. Le contenu, la conception et les spécifications sont susceptibles de changer sans préavis et de varier selon les pays. Fabriqué en Chine.

Technologie TouchSense® sous licence d'Immersion Software Ireland Limited. Protégée par un ou plusieurs des brevets américains dont la liste est disponible à l'adresse www.immersion.com/patent-marking.html, et d'autres brevets en attente.

Produit et distribué par Guillemot Corporation S.A.

RECOMMANDATION RELATIVE A LA PROTECTION DE L'ENVIRONNEMENT

Dans l'Union Européenne : En fin de vie, ce produit ne doit pas être éliminé avec les déchets ménagers normaux mais déposé à un point de collecte des déchets d'équipements électriques et électroniques en vue de son recyclage.

Ceci est confirmé par le symbole figurant sur le produit, le manuel utilisateur ou l'emballage.

En fonction de leurs caractéristiques, les matériaux peuvent être recyclés. Par le recyclage et par les autres formes de valorisation des déchets d'équipements électriques et électroniques, vous contribuez de manière

significative à la protection de l'environnement. Veuillez consulter les autorités locales qui vous indiqueront le point de collecte concerné.

Dans les autres pays : Veuillez vous reporter aux législations locales relatives au recyclage des équipements électriques et électroniques.

Informations à conserver. Les couleurs et décorations peuvent varier.

Il est recommandé de retirer les attaches en plastique et les adhésifs avant d'utiliser le produit.

www.thrustmaster.com

**Applicable à l'UE et la Turquie uniquement*



immersion.

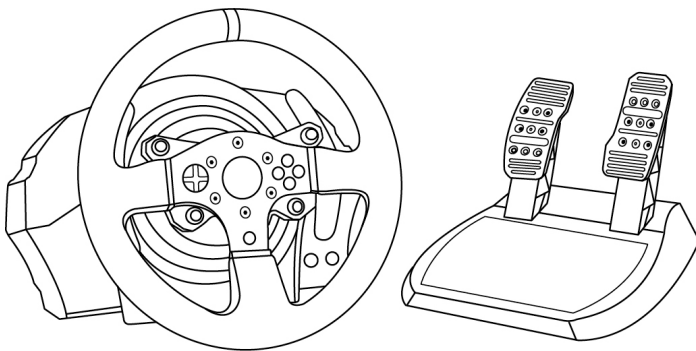




T150

FORCE FEEDBACK

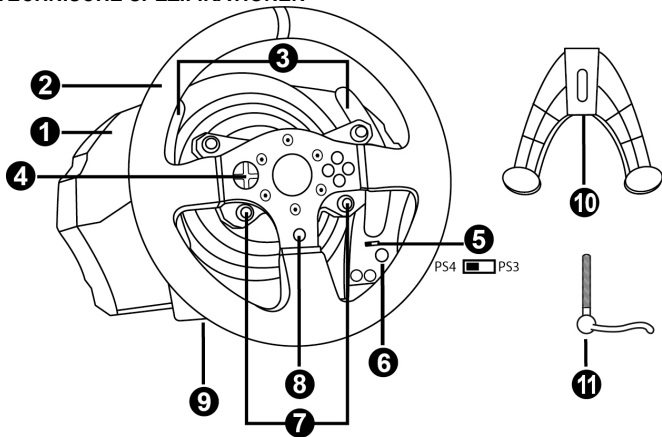
Benutzerhandbuch



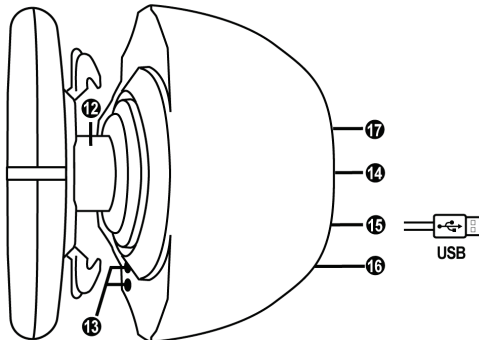
ACHTUNG!

Um sicher zu stellen, daß Ihr T150 Rennlenker mit Spielen korrekt funktioniert, ist es eventuell erforderlich die automatischen Aktualisierungen für das Spiel zu installieren.
(Verfügbar, wenn Ihr System mit dem Internet verbunden ist.)

TECHNISCHE SPEZIFIKATIONEN



- | | |
|---------------------------------------------------------------------------------------------------------------------------------------------------------------------------------------------------------------------------------------------------------------------------------------------|------------------------------------------------------------------------------------------------------------------------------------------------------------------------------------------------------------------------------------------------------------------------------------------|
| <ul style="list-style-type: none"> 1 T150 Basis 2 Lenkkranz 3 2 sequenzielle Schaltwippen (Hoch & Runter) 4 Multidirektionales D-Pad 5 Eingebauter USB Schiebeschalter für PS4™/PS3™ 6 MODE Button + Rot/Grün Leuchtanzeige | <ul style="list-style-type: none"> 7 SELECT/START Buttons auf PS3™ und SHARE/OPTIONS auf PS4™ 8 PS-Button 9 Großes Schraubgewinde (für Befestigungssystem und Feststellschraube) 10 Befestigungssystem 11 Metallene Feststellschraube |
|---------------------------------------------------------------------------------------------------------------------------------------------------------------------------------------------------------------------------------------------------------------------------------------------|------------------------------------------------------------------------------------------------------------------------------------------------------------------------------------------------------------------------------------------------------------------------------------------|



- | | |
|-------------------------------------------------------------------------------------------------------------------------------------------------------------------------|---------------------------------------------------------------------------------------------------------------------------------------------------------------------------------------------|
| <ul style="list-style-type: none"> 12 Steuerachse 13 L3/R3 Buttons 14 Netzkabel oder Stromanschluss (Von Land zu Land unterschiedlich) | <ul style="list-style-type: none"> 15 USB-Kabel und Stecker des Rennlenkers 16 Getriebe-Anschluss (Getriebe wird separat erhältlich) 17 Pedalset-Anschluss |
|-------------------------------------------------------------------------------------------------------------------------------------------------------------------------|---------------------------------------------------------------------------------------------------------------------------------------------------------------------------------------------|

ANSCHLUSS DES RENNLENKERS AN DAS STROMNETZ: BITTE SORGFÄLTIG LESEN!

Der Stromanschluss ihres Rennlenkers variiert je nach Land in dem Sie ihr Gerät erworben haben.

Nur europäische Version

Wichtige Anmerkung: Die europäische Version des T150 ist mit einem internen Netzanschluss ausgestattet, der sich direkt innerhalb der Basis des Rennlenkers befindet.

**Die europäische Version muß ausschließlich mit 220 V betrieben werden!
Öffnen Sie niemals die Basis des Rennlenkers – es besteht die Gefahr eines Stromschlages!**



Power Supply
220~240V 50Hz 0.8A

- Stecken Sie den Netzstecker des Rennlenkers einfach in eine 220 V führende Steckdose.

Andere Versionen (Nicht-Europäisch)

Achtung: Im Gegensatz zu der europäischen Version ist die nicht-europäische Version des T150 mit einem externen Netzteil ausgestattet, das mit dem Rennlenker ausgeliefert wird.

- Schließen Sie das externe Netzteil an den entsprechenden Anschluss auf der Rückseite des Lenkrads an und stecken dann das externe Steckernetzteil in eine Steckdose mit der gleichen Spannung.

WARNHINWEISE

Bevor Sie dieses Produkt benutzen, lesen Sie bitte diese Dokumentation sorgfältig durch und bewahren Sie diese sicher auf, falls Sie später etwas nachlesen müssen.



Warnung – elektrischer Schlag

- * Lagern Sie das Produkt an einem trockenen Ort und setzen Sie es weder Staub noch direktem Sonnenlicht aus.
- * Verdrehen Sie keine Kabel oder ziehen direkt an deren Steckern.
- * Schütten Sie keine Flüssigkeiten auf das Produkt oder dessen Anschlüsse.
- * Schließen Sie das Produkt nicht kurz.
- * Zerlegen Sie das Produkt niemals, werfen es ins Feuer oder setzen es hohen Temperaturen aus.
- * Nutzen Sie kein anderes Stromkabel als das mitgelieferte.
- * Nutzen Sie das Stromkabel nicht, wenn dieses oder dessen Stecker brüchig oder beschädigt ist.
- * Stellen Sie sicher, daß das Netzkabel richtig in die Steckdose gesteckt wurde und korrekt mit dem rückwärtigen Anschluss an der Rennlenkerbasis verbunden ist.
- * Öffnen Sie niemals den Rennlenker. Es befinden sich keine vom Benutzer austauschbare Teile im Innern. Jedwede Reparaturen müssen von einer vom Hersteller angegebenen Werkstatt oder einem qualifizierten Techniker ausgeführt werden.
- * Nutzen Sie ausschließlich vom Hersteller empfohlene Befestigungssysteme/Accessoires.
- * Falls der Lenker sich ungewöhnlich verhält (seltsame Geräusche, Hitze oder Gerüche abgibt), stoppen Sie sofort dessen Benutzung, trennen das Stromkabel vom Netz und ziehen alle anderen Kabel ab.
- * Sollten Sie den Lenker für eine längere Zeit nicht benutzen, trennen Sie diesen vom Stromnetz.



Lüftungsschlitze

Achten Sie darauf keine der Lüftungsschlitze an der Lenkerbasis zu verdecken. Für eine optimale Belüftung beachten Sie bitte die folgenden Hinweise:

- * Stellen Sie die Basis mindestens 10 cm entfernt von Wänden auf.
- * Stellen Sie die Basis nicht in engen Zwischenräumen auf.
- * Decken Sie die Basis niemals ab.
- * Vermeiden Sie auf jeden Fall Staubbildung an den Lüftungsschlitzen.



**Benutzen Sie aus Sicherheitsgründen das Pedalset niemals barfuß oder in Socken.
THRUSTMASTER® ÜBERNIMMT KEINERLEI HAFTUNG BEI VERLETZUNGEN DURCH
EINSATZ DES PEDALSETS OHNE SCHUHE.**



Warnung - Verletzungen durch Force Feedback und wiederholte Bewegungen

Spielen mit einem Force-Feedback-Lenker kann Muskel- oder Gelenkschmerzen verursachen. Um Probleme zu vermeiden:

- * Vermeiden Sie längere Spielzeiten.
- * Pausieren Sie für 10 bis 15 Minuten nach einer Stunde Spiel.
- * Wenn Sie irgendeine Müdigkeit oder Schmerzen in den Händen, Handgelenken, Armen, Beinen oder Füßen fühlen, unterbrechen Sie das Spiel und ruhen für ein paar Stunden, bevor Sie wieder zu spielen beginnen.



**Achtung – Verletzungen durch Force Feedback und wiederholte Bewegungen
(Fortsetzung)**

- * Wenn Sie wieder zu spielen beginnen und die oben beschriebenen Symptome oder Schmerzen weiterbestehen, unterbrechen Sie das Spiel und konsultieren Sie Ihren Arzt.
- * Außerhalb der Reichweite von Kindern aufbewahren.
- * Lassen Sie immer beide Hände während des Spielens am Lenkrad positioniert, ohne dieses völlig loszulassen.
- * Plazieren Sie Ihre Hände oder Finger während des Spielens niemals unter die Pedale oder in deren Nähe.
- * Stecken Sie weder Ihren Arm noch Ihre Hand während der Kalibrierung oder im Spiel durch die Speichen des Lenkkranses.
- * Überprüfen Sie den festen Sitz der Lenkerbasis entsprechend der Anleitungen dieses Handbuchs.

SCHWERES PRODUKT



Produkt nur für den Gebrauch von Personen
über 14 Jahre oder älter



Lassen Sie das Produkt niemals auf sich
oder andere fallen!

IMMER



NIE



NIE





Achtung – Quetschgefahr am Pedalset während des Spielens

- * Bewahren Sie das Pedalset außerhalb der Reichweite von Kindern auf.
- * Bringen Sie während des Spielens niemals Ihre Finger auf oder in die Nähe der Seiten der Pedale.
- * Bringen Sie während des Spielens niemals Ihre Finger auf oder in die Nähe der Pedalrückseite.
- * Bringen Sie während des Spielens niemals Ihre Finger auf oder in die Nähe der Pedalvorderseite.



Achtung – Quetschgefahr am Pedalset nach dem Spielen

- * Bewahren Sie das Pedalset sicher außerhalb der Reichweite von Kindern auf.

AKTUALISIEREN DER FIRMWARE IHRES RENNLENKERS

Die in Ihrer Rennlenkerbasis enthaltene Firmware kann durch eine produktverbessernde und aktuellere Firmware aktualisiert werden.

Um die aktuelle Version der Firmware Ihres Rennlenkers anzuzeigen und ob eine Aktualisierung eventuell verfügbar ist, rufen Sie auf Ihrem PC die Website <http://ts.thrustmaster.com> auf. In der Sektion **Updates und Downloads** klicken Sie bitte auf **PlayStation® / Wheels / T150**. Wählen Sie dann **Driver/Firmware** und folgen der Anleitung, die die Prozedur zum Herunterladen und zur Installation beschreibt.

Wichtiger Hinweis:

Der USB-Schiebeschalter (5) an der Rennlenkerbasis muß bei einer Nutzung mit dem PC immer auf der PS3™-Position gestellt sein.

EINSTELLEN DER PEDALNEIGUNG

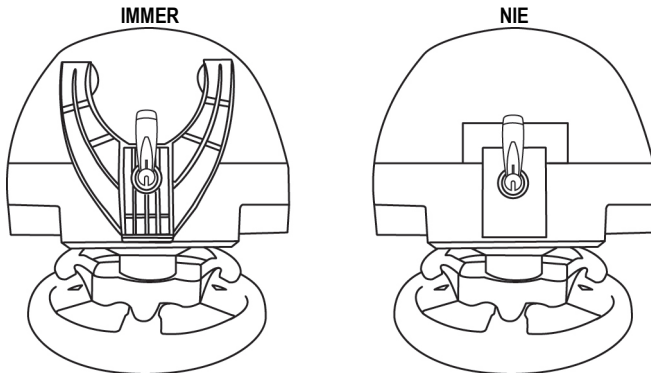
Die Pedalneigung ist verstellbar.

Die Einstellinstruktionen für jedes Pedal sind auf der Website <http://ts.thrustmaster.com> erhältlich. Klicken Sie in der Sektion **Updates und Downloads** auf **PlayStation® / Wheels / T150** und wählen dann **Manual/Help file**.

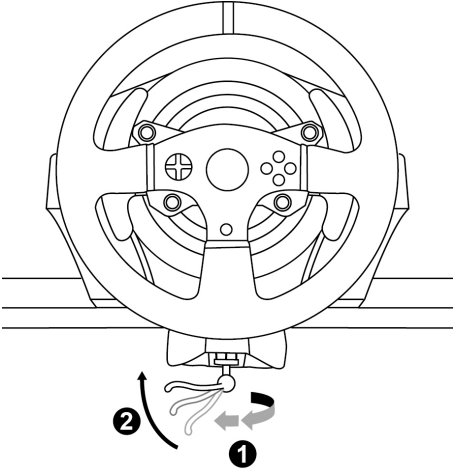
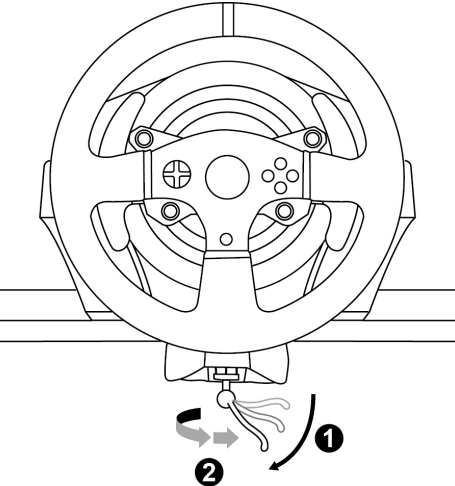
BEFESTIGEN DES RENNLENKERS

Befestigen Sie den Rennlenker auf einem Tisch oder einen Schreibtisch

1. Platzieren Sie den Lenker auf einem Tisch oder einer anderen waagerechten, ebenen und stabilen Oberfläche.
2. Stecken Sie die Befestigungsschraube (11) in das Befestigungssystem (10). Ziehen Sie dann die Schraube entgegen dem Uhrzeigersinn im Schraubgewinde (9) unterhalb des Geräts, bis der Lenker sicher und perfekt stabil auf der Oberfläche montiert ist.



ACHTUNG: Ziehen Sie die Schraube niemals ohne das Befestigungssystem fest!
(Dies könnte Ihren Rennlenker beschädigen).

| MONTAGE / ABMONTIEREN | RICHTUNG |
|---------------------------------------------------------------------------------------|------------------------------------------------------------------------------------|
| <p>Montieren:</p> <p><i>Drehen der Schraube entgegen dem Uhrzeigersinn</i></p> |  |
| <p>Abmontieren:</p> <p><i>Drehen der Schraube im Uhrzeigersinn</i></p> |  |

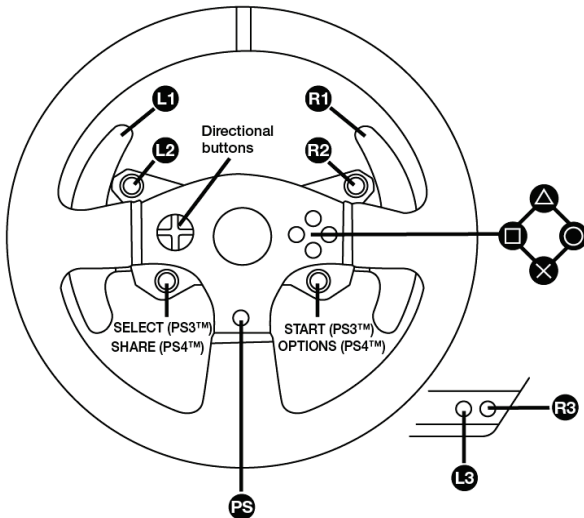
Montage des Pedalsets in ein Cockpit

1. Montieren Sie das Pedal-Set mittels der darunter liegenden, kleinen Gewindebohrungen.
2. Drehen Sie zwei M6 Schrauben (nicht enthalten) durch die Cockpit-Ablage und führen diese in die beiden kleinen Schraubgewinde unterhalb des Pedalsets.

Achtung: Die Länge der beiden M6 Schrauben sollte die Dicke der Ablage plus zusätzlich 10 mm nicht überschreiten. Längere Schrauben könnten die internen Komponenten des Pedalsets beschädigen.

Layout-Diagramme für Cockpits (zur Positionierung der Rennlenkerbasis und/oder des Pedalsets) stehen auf <http://ts.thrustmaster.com> zur Verfügung: Klicken Sie in der Sektion **Updates und Downloads** auf **PlayStation® / Wheels / T150** und wählen dann **Manual/Help file**.

PLAYSTATION®3 UND PLAYSTATION®4 MAPPING



MONTAGE DES RENNLENKERS AN DER PLAYSTATION®3 ODER PLAYSTATION®4

1. Verbinden Sie das Pedalset mit dem Anschluss (17) auf der Rückseite der Rennlenkerbasis.
2. Verbinden Sie das Netzkabel mit dem Anschluss (14) auf der Rückseite der Rennlenkerbasis.
3. Stecken Sie das Netzkabel in eine Steckdose mit der richtigen Spannung.



Ausführlichere Information dazu erhalten Sie auf Seite 3 dieses Handbuchs im Abschnitt ANSCHLUSS DES RENNLENKERS AN DAS STROMNETZ.

4. Je nach genutztem System oder genutztem Spiel stellen Sie den USB-Wahlschalter (5) an der Rennlenkerbasis entweder auf die PS3™- oder PS4™-Position.
5. Stecken Sie den USB-Stecker des Rennlenkers (15) in einen der USB-Anschlüsse an dem System.
6. Nachdem Ihr System eingeschaltet wurde, kalibriert sich Ihr Rennlenker automatisch selbst.
7. Auf der PlayStation®4 (wenn der USB-Wahlschalter auf die PS4™-Position gestellt ist): Drücken Sie den PS-Button (8) des Rennlenkers und melden sich bei Ihrem Sony Entertainment Network-Konto an, um den Lenker nutzen zu können.

Sie können nun an den Start gehen und Ihr Rennen bestreiten!

Wichtige Hinweise:

- Der USB-Wahlschalter (5) an der Rennlenkerbasis muß immer vor dem Anschluß des USB-Kabels des Rennlenkers an das System auf die richtige Position (PS3™ oder PS4™) gestellt werden. Um die Position des Wahlschalters zu verstellen, trennen Sie das USB-Kabel von dem System und ändern dann die Position des Wahlschalters. Schließen Sie dann das USB-Kabel erneut an das System an.
- Auf der PlayStation®3 muß der USB-Wahlschalter (5) immer auf die PS3™-Position gestellt werden:
 - * Der Lenker wird in den meisten Spielen als T500 RS Lenker erkannt.
 - * Der Lenker funktioniert in kompatiblen Spielen und in den Systemmenüs.
 - * Die "PS"-Funktion des Lenkers funktioniert.
- Auf der PlayStation®4 mit dem USB-Wahlschalter (5) auf der PS3™-Position:
 - * Der Lenker wird in den meisten Spielen als T500 RS Lenker erkannt.
 - * Der Lenker funktioniert in kompatiblen Spielen aber nicht in Systemmenüs.
 - * Die "SHARE"- und "PS"-Funktionen des Lenkers funktionieren nicht.
- Auf der PlayStation®4 mit dem USB-Wahlschalter (5) auf der PS4™-Position:
 - * Vergessen Sie nicht den PS-Button (8) des Lenkers zu drücken, um diesen nutzen zu können.
 - * Der Lenker wird in den meisten Spielen als T300 RS oder T150 Lenker erkannt.
 - * Der Lenker funktioniert in kompatiblen Spielen und in den Systemmenüs.
 - * Die "SHARE"- und "PS"-Funktionen des Lenkers funktionieren.
- Eine Liste der mit dem T150 kompatiblen Spiele für PlayStation®3 und PlayStation®4 (zusammen mit der erforderlichen Position des USB-Wahlschalters (5) je nach Spiel) ist verfügbar auf:
<http://ts.thrustmaster.com> (in der Sektion Updates und Downloads klicken Sie bitte auf PlayStation®/Wheels / T150). Diese Liste wird regelmäßig aktualisiert.

EINRICHTEN DES RENNLENKERS FÜR DEN PC*

*PC-Kompatibilität wird von Sony Computer Entertainment Europe nicht getestet und unterstützt.

Wichtiger Hinweis:

Der USB-Schiebeschalter (5) an der Rennlenkerbasis muß bei einer Nutzung mit dem PC immer auf der PS3™-Position gestellt sein.

1. Gehen Sie auf <http://ts.thrustmaster.com> zum Herunterladen der Treiber und der Force Feedback Software für PC. Dazu klicken Sie in der Sektion Updates und Downloads auf PC / Wheels / T150 und wählen dann Treiber aus.

2. Nach dem Herunterladen starten Sie die Installation und folgen den Anweisungen auf dem Bildschirm, um den USB-Stecker des Lenkers an einen freien USB-Anschluß des Computers anzuschließen und die Installation zu komplettieren.

3. Nach Beenden der Installation klicken Sie auf Beenden und starten Ihren Computer neu.

4. Wählen Sie Start / Alle Programme / Thrustmaster / FFB Racing Wheel / Control Panel, um das Fenster für den Game-Controller zu öffnen.

In diesem Fenster wird der Name des Rennlenkers – T150 Racing Wheel – mit einem OK-Status angezeigt.

5. Klicken Sie auf Eigenschaften, um Ihr Lenkrad mittels der T150 Steuerkonsole zu konfigurieren:

- Tabulator „Test Eingabe“: Ermöglicht das Testen und Beobachten der Actionbuttons, der Richtungsbuttons, des Lenkers sowie der Pedalachsen und das Einstellen des Rotationswinkels des Lenkrades bei Ihren PC-Spielen.
- Tabulator „Test Forces“: Ermöglicht das Testen der 12 Force-Feedback-Effekte.
- Tabulator „Verstärkungseinstellungen“: Ermöglicht das Einstellen der Stärke der Force-Feedback-Effekte in Ihren PC-Spielen.

Sie sind nun spielbereit!

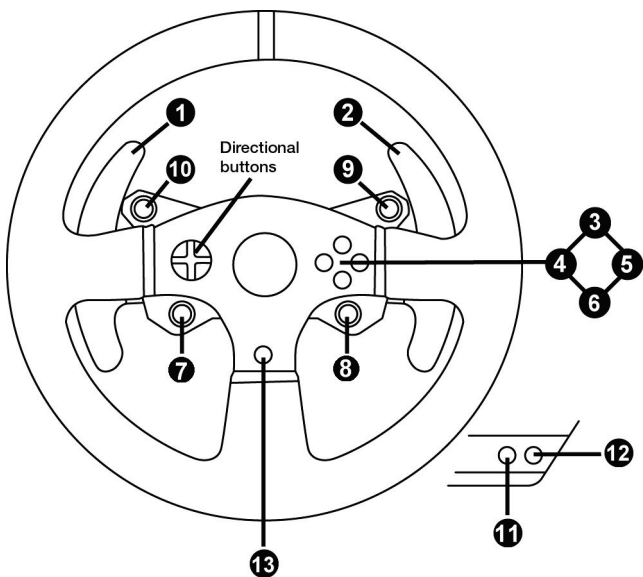
Allgemeine Hinweise:

- Bevor Sie Ihr Spiel starten, klicken Sie auf OK, um das Game-Controller Fenster zu schließen.

- Alle Einstellungen, die Sie im Game-Controller Fenster vorgenommen haben, werden auf Ihrem Computer gespeichert (und haben somit keinen Einfluss auf der PlayStation®3 oder PlayStation®4).

- Die Firmwareversion Ihres Lenkers wird in der oberen rechten Ecke neben den Tabulatoren in der Steuerkonsole für den T150 angezeigt.

BELEGUNG (MAPPING) AUF DEM PC



AUTOMATISCHE RENNLENKER- UND PEDALSET-KALIBRIERUNG

Der Rennlenker kalibriert sich automatisch selbst beim Anschluss desselben an die Stromversorgung und den USB-Anschluss an das PlayStation®3 oder PlayStation®4 System. Während dieser Phase dreht sich der Lenkkranz schnell nach rechts und links und deckt dabei einen Rotationswinkel von 1080° ab. Danach stoppt der Lenkkranz in der mittigen Position.



WARNUNG:

**Berühren Sie den Rennlenker niemals während der Kalibrierungsphase
(Dies kann zu Kalibrierungsfehlern und/oder Verletzungen führen.)**

AUTOMATISCHE KALIBRIERUNG DES PEDALSETS

Verbinden/Trennen Sie das Pedalset niemals mit/von der Rennlenkerbasis, wenn diese mit dem System verbunden ist oder während eines Spiels. Dies kann zu Kalibrierungsfehlern führen. Schließen Sie das Pedalset ausschließlich nur an den Rennlenker an, bevor dieser an das System angeschlossen ist. Nach der Selbstkalibrierung des Lenkers und nach dem Spielstart werden die Pedale nach mehrmaligem Niederdrücken automatisch kalibriert.



WARNUNG:

**Betätigen Sie die Pedale niemals während der Selbstkalibrierung des Lenkers oder während ein Spiel geladen wird!!
(Dies kann zu Kalibrierungsfehlern führen.)**

Falls Ihr Rennlenker und/oder das Pedalset nicht ordnungsgemäß funktionieren oder die Kalibrierung nicht korrekt zu sein scheint:

Schalten Sie Ihr System aus. Trennen Sie den Rennlenker komplett von dem System. Schließen Sie die Kabel (auch Netz- und Pedalset-Kabel) erneut an. Starten Sie dann Ihr System und das Spiel neu.

MODE-BUTTON UND LEUCHTANZEIGE (6)

MODE-Button für das Pedalset

Das inklusive Pedalset des T150 hat 2 Pedale.

Sollten Sie dieses Pedalset nutzen, vergewissern Sie sich, daß die Leuchtanzeige rot anzeigt. Andernfalls funktioniert das Gaspedal nicht korrekt.

Das T150 ist kompatibel mit Thrustmasters Pedalsets, die 3 Pedale aufweisen (*separat erhältlich*). Diese versetzen Sie in die Lage die Gas- und Kupplungspedale elektronisch zu vertauschen.

Um dies zu bewerkstelligen, drücken Sie einfach den MODE-Button (6) für 2 Sekunden. Der interne Speicher des Rennlenkers speichert, ob die Pedale vertauscht wurden oder nicht.

| GAS- UND KUPPLUNGSPEDALE | Farbe der MODE Leuchtanzeige (6) |
|--------------------------|----------------------------------|
| NORMAL | ROT |
| VERTAUSCHT | GRÜN |

Andere Hinweise für den MODE-Button

Um mehr über den MODE-Button und die Leuchtanzeige zu erfahren, besuchen Sie bitte die Website <http://ts.thrustmaster.com>. In der Sektion **Updates und Downloads** klicken Sie bitte auf **PlayStation® / Wheels / T150** und wählen dann **Manual/Help file**.

HILFE UND HÄUFIG GESTELLTE FRAGEN (in diesem Handbuch nicht enthalten)

Gehen Sie bitte auf <http://ts.thrustmaster.com>. In der Sektion **Updates und Downloads** klicken Sie bitte auf **PlayStation® / Wheels / T150** und gehen dann auf **Manual/Help file**.

Kunden-Garantie-Information

Guillemot Corporation S.A. mit Hauptsitz in Place du Granier, B.P. 97143, 35571 Chantepie, France (fortfolgend "Guillemot") garantiert Kunden weltweit, daß dieses Thrustmaster Produkt frei von Mängeln in Material und Verarbeitung für eine Gewährleistungsfrist ist, die mit der Frist für eine Mängelrüge bezüglich des Produktes übereinstimmt. In den Ländern der Europäischen Union entspricht diese einem Zeitraum von zwei (2) Jahren ab Kaufdatum des Thrustmaster Produktes. In anderen Ländern entspricht die Gewährleistungsfrist der zeitlichen Begrenzung für eine Mängelrüge bezüglich des Thrustmaster Produktes in Übereinstimmung mit anwendbarem Recht des Landes, in dem der Kunde zum Zeitpunkt des Erwerbs eines Thrustmaster Produktes wohnhaft ist. Sollte eine entsprechende Regelung in dem entsprechenden Land nicht existieren, umfasst die Gewährleistungspflicht einen Zeitraum von einem (1) Jahr ab dem originären Kaufdatum des Thrustmaster Produktes.

Ungeachtet dessen werden wiederaufladbare Batterien (fortfolgend "Akkus") durch eine Gewährleistungsfrist von sechs (6) Monaten ab dem Kaufdatum abgedeckt.

Sollten bei dem Produkt innerhalb der Gewährleistungsfrist Defekte auftreten, kontaktieren Sie unverzüglich den technischen Kundendienst, der die weitere Vorgehensweise anzeigt. Wurde der Defekt bestätigt, muß das Produkt an die Verkaufsstelle (oder an eine andere Stelle, je nach Maßgabe des technischen Kundendienstes) retourniert werden.

Im Rahmen dieser Garantie sollte das defekte Produkt des Kunden, je nach Entscheidung des technischen Kundendienstes, entweder ausgetauscht oder repariert werden. Sollte während der Garantiezeit das Thrustmaster Produkt einer derartigen Instandsetzung unterliegen und das Produkt während eines Zeitraums von mindestens sieben (7) Tagen nicht benutzbar sein, wird diese Zeit der restlichen Garantiezeit hinzugefügt. Diese Frist läuft ab dem Zeitpunkt, an dem der Wunsch des Verbrauchers bezüglich einer Intervention vorliegt oder ab dem Tag, an dem das fragliche Produkt zur Instandsetzung zur Verfügung steht, falls das Datum, an dem das Produkt zur Instandsetzung zur Verfügung steht, dem Datum des Antrags auf Intervention nachfolgt. Wenn nach geltendem Recht zulässig, beschränkt sich die volle Haftung von Guillemot und ihrer Tochtergesellschaften auf die Reparatur oder den Austausch des Thrustmaster Produktes (inklusive Folgeschäden). Wenn nach geltendem Recht zulässig, lehnt Guillemot alle Gewährleistungen der Marktgängigkeit oder Eignung für einen bestimmten Zweck ab.

Der Gewährleistungsanspruch verfällt: (1) Falls das Produkt modifiziert, geöffnet, verändert oder ein Schaden durch unsachgemäßen oder missbräuchlichen Gebrauch hervorgerufen wurde, sowie durch Fahrlässigkeit, einen Unfall, Verschleiß oder irgendeinem anderen Grund – aber nicht durch Material- oder Herstellungsfehler (einschließlich, aber nicht beschränkt auf, die Kombination der Thrustmaster Produkte mit ungeeigneten Elementen, insbesondere Netzteile, Akkus, Ladegeräte, oder andere Elemente, die von Guillemot für dieses Produkt nicht mitgeliefert wurden); (2) Im Falle der Nichteinhaltung der durch den Technischen Support erteilten Anweisungen; (3) Durch Software. Die besagte Software ist Gegenstand einer speziellen Garantie; (4) Bei Verbrauchsmaterialien (Elemente, die während der Produktlebensdauer ausgetauscht werden, wie z. B. Einwegbatterien, Ohrpolster für ein Audioheadset oder für Kopfhörer); (5) Bei Accessoires (z. B. Kabel, Etuis, Taschen, Beutel, Handgelenk-Riemen); (6) Falls das Produkt in einer öffentlichen Versteigerung verkauft wurde.

Diese Garantie ist nicht übertragbar.

Die Rechte des Kunden in Übereinstimmung mit anwendbarem Recht bezüglich des Verkaufs auf Konsumgüter im Land der/der Kunden/Kundin wird durch diese Garantie nicht beeinträchtigt.

Zusätzliche Gewährleistungsbestimmungen

Während der Garantiezeit bietet Guillemot grundsätzlich keine Ersatzteile an, da der technische Kundendienst der einzige autorisierte Partner zum Öffnen und/oder Instandsetzen jedweden Thrustmaster-Produkts ist (mit Ausnahme von irgendwelchen Instandsetzungsverfahren, die der Kunde nach Maßgabe des technischen Kundendienstes und durch schriftliche Instruktionen sowie der Zurverfügungstellung des/der eventuell erforderlichen Ersatzteil(s)(e) selbst in der Lage ist durchzuführen – zum Beispiel aufgrund der Einfachheit und einer nicht erforderlichen Geheimhaltung des Instandsetzungsverfahrens).

Aufgrund seiner Innovationszyklen und um sein Know-how und seine Geschäftsgeheimnisse zu schützen, bietet Guillemot grundsätzlich keine Instandsetzungs-Benachrichtigung oder Ersatzteile für alle Thrustmaster Produkte an, deren Garantiezeit abgelaufen ist.

In den Vereinigten Staaten von Amerika und in Kanada ist diese Gewährleistung auf den internen Mechanismus und das externe Gehäuse beschränkt. Auf keinen Fall haftet Guillemot oder ihre Tochtergesellschaften gegenüber Dritten für etwaige Folgeschäden oder mittelbare Schäden, die aus der Nichteinhaltung der ausdrücklichen oder stillschweigenden Gewährleistung resultieren. Einige Staaten/Provinzen erlauben keine Begrenzung der impliziten Garantie oder einen Ausschluss oder die Beschränkung der Haftung für Folgeschäden oder mittelbare Schäden, so dass die oben genannten Einschränkungen oder Ausschlüsse möglicherweise nicht auf Sie zutreffen.

Diese Garantie gibt Ihnen bestimmte Rechte, und Sie haben möglicherweise auch andere Rechte, die von Staat zu Staat oder Provinz zu Provinz unterschiedlich sein können.

Haftung

Wenn nach dem anwendbaren Recht zulässig, lehnen Guillemot Corporation S.A. (fortfolgend "Guillemot") und ihre Tochtergesellschaften jegliche Haftung für Schäden, die auf eine oder mehrere der folgenden Ursachen zurückzuführen sind, ab: (1) das Produkt wurde modifiziert, geöffnet oder geändert; (2) Nichtbefolgung der Montageanleitung; (3) unangebrachte Nutzung, Fahrlässigkeit, Unfall (z. B. ein Aufprall); (4) normalem Verschleiß. Wenn nach anwendbarem Recht zulässig, lehnen Guillemot und seine Niederlassungen jegliche Haftung für Schäden, die nicht auf einen Material- oder Herstellungsfehler in Bezug auf das Produkt beruhen (einschließlich, aber nicht beschränkt auf, etwaige Schäden, die direkt oder indirekt durch Software oder durch die Kombination der Thrustmaster Produkte mit ungeeigneten Elementen, insbesondere Netzteile, Akkus, Ladegeräte, oder andere Elemente, die von Guillemot für dieses Produkt nicht geliefert wurden), ab.

THRUSTMASTER®

TECHNISCHER SUPPORT

<http://ts.thrustmaster.com>



COPYRIGHT

© 2015 Guillemot Corporation S.A. Alle Rechte vorbehalten. Thrustmaster® ist eine eingetragene Marke von Guillemot Corporation S.A.

Für den Verkauf in Europa, Afrika, dem Nahen Osten, Russland, Indien und Ozeanien lizenziert. Zur exklusiven Nutzung mit PlayStation®3 und PlayStation®4.

"PS", "PlayStation", "PS3", und "ΔOX□", sind eingetragene Marken von Sony Computer Entertainment Inc. "PS4" ist eine Marke derselben Firma. Alle Rechte vorbehalten.

Alle anderen Marken sind im Besitz Ihrer jeweiligen Eigentümer. Illustrationen nicht verbindlich. Inhalte, Designs und Spezifikationen können ohne vorherige Ankündigung geändert werden und können von Land zu Land unterschiedlich sein. Hergestellt in China.

TouchSense® Technologie lizenziert von Immersion Software Ireland Limited. Geschützt durch ein oder mehrere U.S. Patente. Eine entsprechende Aufstellung ist unter www.immersion.com/patent-marking.html zu finden. Andere Patente angemeldet.

Hergestellt und vertrieben von Guillemot Corporation S.A.

Hinweise zum Umweltschutz



* In der Europäischen Union: Dieses Produkt darf nach Ende seiner Lebensdauer nicht über den Hausmüll entsorgt werden, sondern muss an einem Sammelpunkt für das Recycling von elektrischen und elektronischen Geräten abgegeben werden.

Das Symbol auf dem Produkt, der Gebrauchsanleitung oder der Verpackung weist darauf hin.

Die Werkstoffe sind gemäß ihrer Kennzeichnung wiederverwertbar. Mit der Wiederverwertung, der stofflichen Verwertung oder anderen Formen von Altgeräten leisten Sie einen wichtigen Beitrag zum Schutz unserer Umwelt. Bitte erfragen Sie bei der Gemeindeverwaltung die zuständige Entsorgungsstelle.

Für alle anderen Länder: Bitte beachten Sie die lokalen Entsorgungsrichtlinien/-Gesetze bezüglich elektrischen und elektronischen Equipments.

Wichtige Informationen. Die Farben und Verzierungen können abweichen.
Plastikhalterungen und Aufkleber bitte vor der Nutzung des Produktes entfernen.

www.thrustmaster.com

* Nur in der EU und der Türkei anwendbar



immersion.

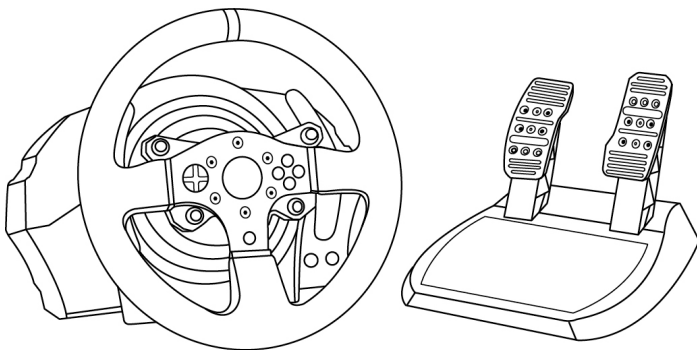




T150

FORCE FEEDBACK

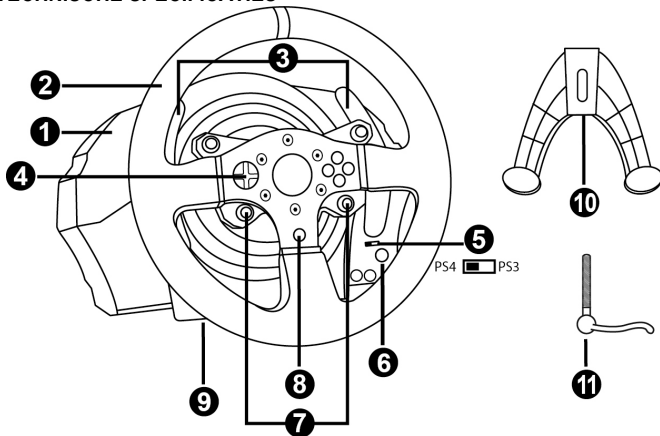
Handleiding



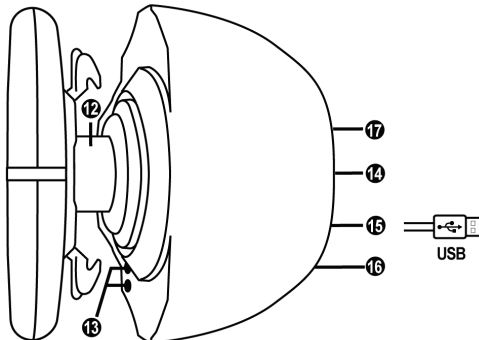
WAARSCHUWING:

Om er zeker van te zijn dat het T150-racestuur correct werkt met games, moet u mogelijk de automatische updates voor de games installeren (beschikbaar wanneer het systeem met internet is verbonden).

TECHNISCHE SPECIFICATIES



- | | |
|----------------------------------------------------------------------------------------------------------------------------------------------------------------------------------------------------------------------------------------------------------------------------------|---------------------------------------------------------------------------------------------------------------------------------------------------------------------------------------------------------------------------------------------------------------------------------------|
| <ul style="list-style-type: none"> 1 T150-voet 2 Stuur 3 2 sequentiële schakelflippers (Up & Down) 4 Multidirectionele D-Pad 5 Ingebouwde USB-schuifschakelaar voor PS4™/PS3™ 6 MODE-knop + rood/groen-indicator | <ul style="list-style-type: none"> 7 SELECT/START-knoppen op de PS3™ en SHARE/OPTIONS-knoppen op de PS4™ 8 PS-knop 9 Groot schroefgat (voor bevestigingssysteem en -schroef) 10 Bevestigingssysteem 11 Metalen bevestigingsschroef |
|----------------------------------------------------------------------------------------------------------------------------------------------------------------------------------------------------------------------------------------------------------------------------------|---------------------------------------------------------------------------------------------------------------------------------------------------------------------------------------------------------------------------------------------------------------------------------------|



- | | |
|-------------------------------------------------------------------------------------------------------------------------------------------------------------------------|---------------------------------------------------------------------------------------------------------------------------------------------------------------------------------------------------------------------|
| <ul style="list-style-type: none"> 12 Stuuras 13 L3/R3-knoppen 14 Voedingskabel of connector voor netstroom (kan per land verschillen) | <ul style="list-style-type: none"> 15 USB-kabel en -connector voor racestuur 16 Connector voor versnellingsbak (versnellingsbak wordt apart verkocht) 17 Connector voor pedaalsset |
|-------------------------------------------------------------------------------------------------------------------------------------------------------------------------|---------------------------------------------------------------------------------------------------------------------------------------------------------------------------------------------------------------------|

HET RACESTUUR AANSLUITEN OP EEN STOPCONTACT: LEES DIT VOORDAT U VERDER GAAT!

Het land waarin het racestuur is aangeschaft, is bepalend voor het soort netvoeding dat het stuur gebruikt.

Alleen Europese versies

Belangrijke opmerking: de Europese versie van de T150 heeft een interne voeding ingebouwd in de voet van het racestuur.

De Europese versie mag alleen op 220 V netstroom worden aangesloten!

De voet van het racestuur mag nooit worden geopend
vanwege het risico op elektrische schokken!



Power Supply
220~240V 50Hz 0.8A

- Steek de netstroomstekker van het stuur in een stopcontact.

Andere versies (niet-Europees)

Opmerking: de niet-Europese versie van de T150 heeft, in tegenstelling tot de Europese versie, een externe voedingsadapter die apart wordt meegeleverd bij het racestuur.

- Sluit de externe voedingsadapter aan op de betreffende connector op de achterzijde van het racestuur. Sluit daarna de externe voedingsadapter aan op een stopcontact met hetzelfde voltage als de adapter.

WAARSCHUWINGEN

Lees, voordat u dit product gebruikt, deze handleiding zorgvuldig door en bewaar hem om eventueel op een later tijdstip te kunnen raadplegen.



Waarschuwing — Elektrische schok

- * Berg dit product op een droge plek op, uit de zon en stofvrij.
- * Trek nooit te hard aan een kabel of connector en zorg dat er geen knikken in kabels komen.
- * Mors geen vloeistoffen op het product of op een connector.
- * Veroorzaak geen kortsluiting.
- * Haal het product nooit uit elkaar, gooi het niet in het vuur en stel het niet bloot aan hoge temperaturen.
- * Gebruik geen andere netstroomkabel dan de kabel meegeleverd bij het racestuur.
- * Gebruik de netstroomkabel nooit als de kabel, de stekkers of de connectoren zijn beschadigd, gespleten of gebroken.
- * Controleer dat de netstroomkabel correct is aangesloten op het stopcontact en correct is aangesloten op de achterzijde van de voet van het racestuur.
- * Maak het stuur niet open. Er bevinden zich geen door de gebruiker te onderhouden of repareren onderdelen in. Alle reparaties dienen te worden uitgevoerd door de fabrikant, haar bevoegde vertegenwoordiger of een gekwalificeerd technicus.
- * Gebruik alleen door de fabrikant goedgekeurde hulpstukken en accessoires.
- * Als het racestuur zich vreemd gedraagt, bijvoorbeeld door rare geluiden te maken, heet te worden of te stinken, stop dan onmiddellijk met het gebruik, haal de stekker uit het stopcontact en maak alle andere kabels los.
- * Als het racestuur langere tijd niet wordt gebruikt, haal dan de stekker uit het stopcontact.



Ventilatieopeningen

Blokkeer nooit de ventilatieopeningen op de voet van het stuur. Aanwijzingen voor optimale ventilatie:

- * Plaats de voet van het stuur minimaal 10 cm van een muur.
- * Plaats de voet niet in een krappe ruimte.
- * Leg nooit iets over de voet heen.
- * Zorg dat de ventilatieopeningen stofvrij blijven.



Om veiligheidsredenen mogen de pedalen nooit met blote voeten worden bediend of met alleen sokken aan.

THRUSTMASTER® WIJST ELKE VERANTWOORDELIJKHEID AF IN GEVAL VAN LETSEL ALS GEVOLG VAN HET GEBRUIK VAN DE PEDAALSET ZONDER SCHOENEN AAN.



Waarschuwing — Mogelijk letsel ten gevolge van Force Feedback en repetitieve bewegingen

Gamen met een Force Feedback-stuur kan leiden tot pijn in de gewrichten of de spieren. Hoe voorkomt u problemen:

- * Vermijd langdurige gamesessies.
- * Neem na elk uur gamen een pauze van 10 tot 15 minuten.
- * Stop met gamen bij last van vermoeidheid of pijn in handen, polsen, armen, voeten of benen, en rust een paar uur voordat u weer verder gaat met gamen.



Waarschuwing — Mogelijk letsel ten gevolge van Force Feedback en repetitieve bewegingen (vervolg)

- * Stop al het gamen als de hierboven beschreven symptomen van pijn of ongemak blijven aanhouden tijdens het gamen en raadpleeg een huisarts.
- * Houd het stuur, de voet en de pedaalset buiten het bereik van kinderen.
- * Houd tijdens het gamen altijd twee handen aan het stuur op de juiste stand en laat het stuur nooit helemaal los.
- * Zorg er tijdens het gamen voor dat handen of vingers nooit in de buurt van of onder de pedalen of de pedaalset komen.
- * Steek tijdens het kalibreren en gamen nooit een vinger, hand of arm door de openingen van het racestuur.
- * Zorg er voor dat de voet van het racestuur stevig vast zit, zoals beschreven in deze handleiding.

ZWAAR PRODUCT



Product mag alleen verplaatst worden door gebruikers van 14 jaar of ouder



Wees voorzichtig en laat het product niet op uzelf of iemand anders vallen!

ALTIJD



NOOIT



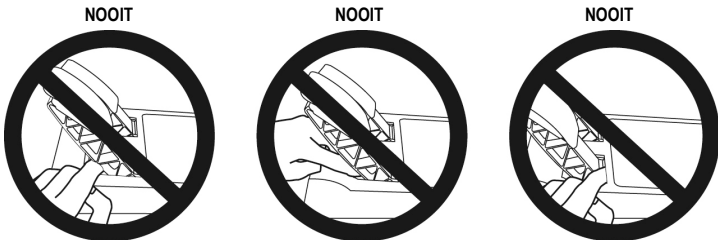
NOOIT





Waarschuwing — Pedaalset beknellingsgevaar bij gebruik

- * Houd de pedaalset buiten het bereik van kinderen.
- * Houd tijdens het gamen nooit uw vingers op of in de buurt van de zijanten van de pedalen.
- * Houd tijdens het gamen nooit uw vingers op of in de buurt van de achterkant van de pedalen.
- * Houd tijdens het gamen nooit uw vingers op of in de buurt van de voorkant van de pedalen.



Waarschuwing — Pedaalset beknellingsgevaar bij gebruik

- * Berg de pedaalset op een veilige plaats op, buiten het bereik van kinderen.

DE FIRMWARE VAN HET RACESTUUR BIJWERKEN

De firmware in de voet van het racestuur kan worden bijgewerkt naar een nieuwere verbeterde versie wanneer een dergelijke versie beschikbaar komt.

Om de huidige versie van de firmware van het racestuur weer te geven en deze bij te werken indien gewenst: ga op een pc naar <http://ts.thrustmaster.com>. Klik in de sectie **Updates and Downloads** op **PlayStation® / Wheels / T150**, selecteer **Driver/Firmware** en volg de instructies voor het downloaden en installeren.

Belangrijke opmerking:

Op een pc moet de USB-schuifschakelaar (5) op de voet van het racestuur altijd in de stand PS3™ staan.

DE HOEK VAN HET PEDAAL AANPASSEN

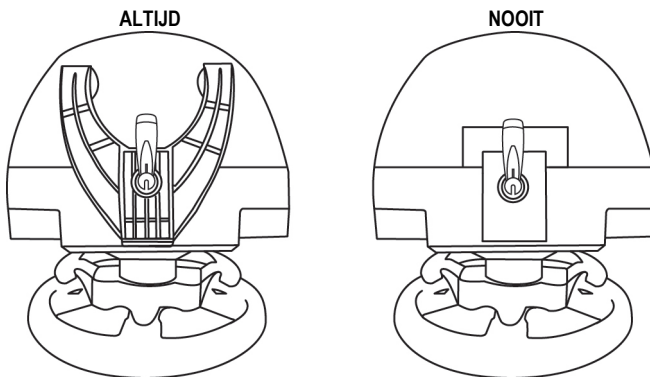
De pedaalhoek kan worden ingesteld.

De instructies voor het afstellen van een pedaal zijn beschikbaar op <http://ts.thrustmaster.com>.
Klik in de sectie **Updates and Downloads** op **PlayStation® / Wheels / T150** en selecteer **Manual/Help file**.

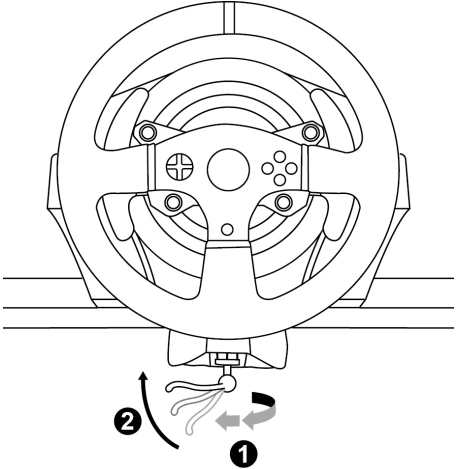
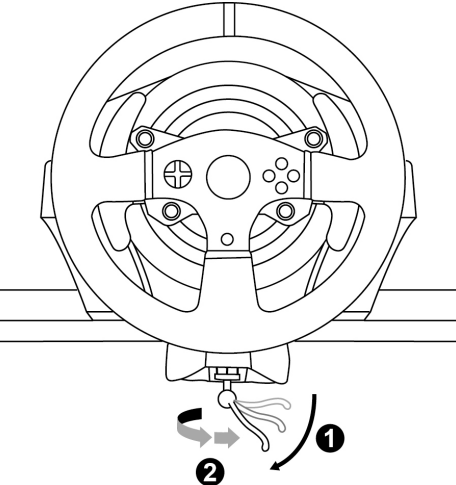
HET RACESTUUR BEVESTIGEN

Het racestuur op een tafel of werkblad bevestigen

1. Plaats het racestuur op een tafel of een ander horizontaal, vlak en stabiel oppervlak.
2. Plaats de bevestigingsschroef **(11)** in het bevestigingssysteem **(10)** en draai de schroef aan (tegen de klok in) zodat deze vast komt te zitten in het schroefgat **(9)** onder het racestuur en het stuur volledig stabiel is.



WAARSCHUWING: draai de schroef nooit in het racestuur zonder het bevestigingssysteem!
(Daarmee kunt u het racestuur beschadigen).

| BEVESTIGEN / VERWIJDEREN | RICHTING |
|------------------------------------------------------------------------------------------------------------------------------|------------------------------------------------------------------------------------|
| <p><u>Vastdraaien:</u></p> <p><i>Draai de schroef linksom vast (tegen de wijzers van de klok in).</i></p> |  |
| <p><u>Losdraaien:</u></p> <p><i>Draai de schroef rechtsum los (met de wijzers van de klok mee).</i></p> |  |

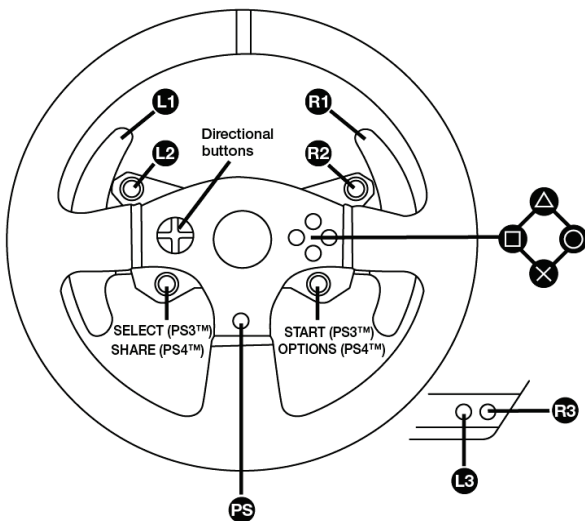
De pedaalsset aan een cockpit bevestigen

1. Bevestig de pedaalsset met behulp van de kleine schroefdraden onderop de pedaalsset.
2. Draai twee M6-schroeven (niet meegeleverd) door het cockpitpaneel en in de twee kleine schroefgaten aan de onderkant van de pedaalsset.

Belangrijk: de M6-schroeven mogen niet langer zijn dan de dikte van het paneel + 10 mm. Langere schroeven kunnen de componenten in de pedaalsset beschadigen.

Schema's voor cockpits (voor het plaatsen van de voet van het racestuur en/of de pedaalsset) zijn beschikbaar op <http://ts.thrustmaster.com>. Klik in de sectie **Updates and Downloads** op **PlayStation® / Wheels / T150** en selecteer **Manual/Help file**.

MAPPING VOOR PLAYSTATION®3 EN PLAYSTATION®4



HET RACESTUUR GEREED MAKEN VOOR DE PLAYSTATION®3 OF PLAYSTATION®4

1. Sluit de pedaalsset aan op de connector (17) aan de achterkant van de voet van het racestuur.
2. Sluit de netstroomkabel aan op de connector (14) aan de achterkant van de voet van het racestuur.
3. Sluit de netstroomkabel aan op een stopcontact met de correcte netspanning.



Raadpleeg voor meer informatie over dit onderwerp de sectie HET RACESTUUR AANSLUITEN OP EEN STOPCONTACT op pagina 3 van deze handleiding.

4. Zet de USB-keuzeschakelaar (5) op de voet van het racestuur in de gewenste stand: PS3™ of PS4™. Dit is afhankelijk van het gebruikte systeem of de gebruikte game.
5. Sluit de USB-connector (15) van het stuur aan op een van de USB-poorten van het systeem.
6. Zodra het systeem stroom krijgt, kalibreert het stuur zichzelf.
7. Als de USB-keuzeschakelaar in de stand PS4™ staat, drukt u op de PlayStation®4 op de PS-knop (8) op het racestuur en gaat u naar uw Sony Entertainment Network account om het stuur te kunnen gebruiken.

Nu kan er gespeeld worden!

Belangrijke opmerkingen:

- De USB-keuzeschakelaar (5) op de voet van het racestuur moet altijd op de correcte stand (PS3™ of PS4™) worden gezet voordat de USB-kabel van het stuur op het systeem wordt aangesloten. Als u de stand van de keuzeschakelaar wilt veranderen, koppelt u de USB-kabel los van het systeem, verandert u de stand en sluit u de USB-kabel weer aan op het systeem.
- Op de PlayStation®3 moet de USB-keuzeschakelaar (5) altijd in de stand PS3™ staan:
 - * Het stuur wordt in de meeste games herkend als een T500RS-stuur.
 - * Het stuur werkt in compatibele games en in systeemmenu's.
 - * De "PS"-functie op het stuur werkt.
- Op de PlayStation®4 met de USB-keuzeschakelaar (5) in de stand PS3™:
 - * Het stuur wordt in de meeste games herkend als een T500RS-stuur.
 - * Het stuur werkt in compatibele games, maar niet in systeemmenu's.
 - * De "SHARE"- en de "PS"-functie op het stuur werken niet.
- Op de PlayStation®4 met de USB-keuzeschakelaar (5) in de stand PS4™:
 - * Vergeet niet op de PS-knop (8) op het stuur te drukken om het stuur te kunnen gebruiken.
 - * Het stuur wordt in de meeste games herkend als een T300 RS of T150-stuur.
 - * Het stuur werkt in compatibele games en in systeemmenu's.
 - * De "SHARE"- en de "PS"-functie op het stuur werken.
- De lijst met PlayStation®3- en PlayStation®4-games die compatibel zijn met de T150 en de daarvoor benodigde stand van de USB-keuzeschakelaar (5) is beschikbaar op:
<http://ts.thrustmaster.com> (in de sectie Updates and Downloads,
klik op PlayStation® / Wheels / T150).
Deze lijst wordt regelmatig bijgewerkt.

HET RACESTUUR INSTALLEREN OP UW PC*

*PC-compatibiliteit niet getest en niet ondersteund door Sony Computer Entertainment Europe.

Belangrijke opmerking:

Op een pc moet de USB-schuifschakelaar (5) op de voet van het racestuur altijd in de stand PS3™ staan.

1. Ga naar <http://ts.thrustmaster.com> en download de drivers en de Force Feedback software voor de pc. Klik in de sectie Updates and Downloads op PC / Wheels / T150 en selecteer Drivers.
2. Start de installatie nadat de download is voltooid en volg de instructies op het scherm om de USB-stekker van het stuur aan te sluiten op uw computer en de installatie te voltooien.
3. Klik nadat de installatieprocedure is afgerond op Voltooien om de computer opnieuw te starten.
4. Kies Start / Alle programma's / Thrustmaster / FFB Racing Wheel / Configuratiescherm om het venster Game Controllers openen.

Het venster Game Controllers geeft T150 Racing Wheel als naam voor het racestuur met de status OK.

5. Klik op Eigenschappen om het stuur te configureren in het T150 configuratiescherm:

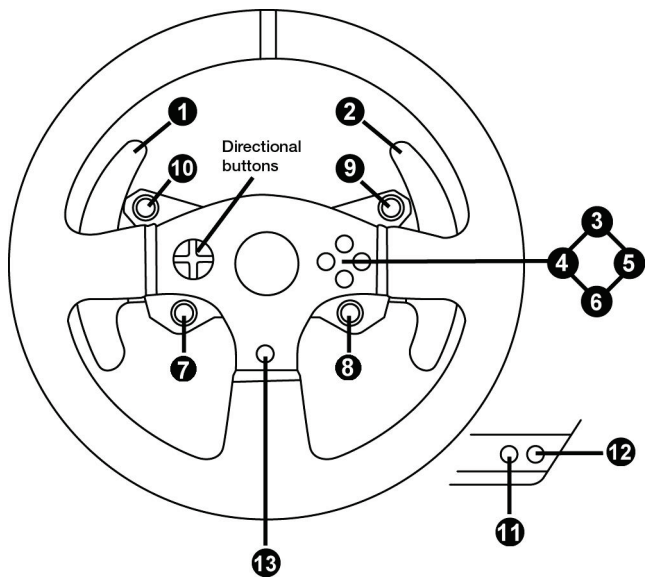
- Tabblad "Test Input": hiermee kunnen de actieknoppen, richtingsknoppen, het stuur en de pedaallassen getest en bekeken worden. Ook is het mogelijk de draaihoek van het stuur in pc-games aan te passen.
- Tabblad "Test Forces": hiermee kunnen 12 Force Feedback effecten worden getest.
- Tabblad "Gain Settings": hiermee kan de kracht van de Force Feedback effecten in pc-games worden aangepast.

Nu kan er gespeeld worden!

Algemene opmerkingen:

- Klik op de pc op OK om het venster Game Controllers te sluiten voordat u de game start.
- Op de pc worden aanpassingen gemaakt in het venster Game Controllers alleen opgeslagen op de computer en hebben dus geen effect op de PlayStation®3 of PlayStation®4.
- De firmware-versie van uw stuur wordt rechtsboven in de T150 configuratiescherm-tabbladen vermeld.

MAPPING OP PC



HET RACESTUUR EN DE PEDAALSET AUTOMATISCH KALIBREREN

Het stuur kalibreert zichzelf automatisch wanneer u het stuur op een stopcontact aansluit en de USB-connector van het stuur op het PlayStation®3 of PlayStation®4 systeem aansluit. Tijdens deze kalibratie zal het stuur snel 1080 graden linksom en rechtsom draaien voordat het stopt in de middenstand.



WAARSCHUWING:

**Tijdens het automatisch kalibreren mag u het stuur niet aanraken.
(Raakt u het stuur toch aan, dan kan dit leiden tot een onjuiste kalibratie en/of persoonlijk letsel).**

AUTOMATISCH KALIBREREN VAN DE PEDAALSET

Sluit de pedaalse set nooit aan op de voet van het racestuur of koppel deze nooit los van de voet terwijl het is aangesloten op het systeem of tijdens het gamen. Doet u dit toch, dan kan dat leiden tot een onjuiste kalibratie.

Sluit altijd eerst de pedaalse t aan voordat u het racestuur aansluit op het systeem.

Nadat de kalibratie van het racestuur gereed is en de game gestart is, zijn de pedalen automatisch gekalibreerd na een paar keer intrappen.



WAARSCHUWING:

**Trap de pedalen nooit in
tijdens het zelfkalibreren van het stuur of tijdens het laden van de game.
(Dit kan leiden tot een onjuiste kalibratie).**

Als het racestuur en de pedaalse t niet goed werken of niet goed gekalibreerd lijken te zijn:
zet het systeem uit en koppel alle aansluitingen van het stuur los. Sluit daarna alle kabels weer aan, inclusief de voedingskabel en de pedaalse t, en herstart het systeem en de game.

MODE-KNOP EN INDICATOR (6)

MODE-knop voor de pedaalsset

De pedaalsset geleverd bij de T150 heeft twee pedalen.

Let er bij het gebruik van deze pedaalsset op dat de indicator rood blijft branden. Is dit niet het geval, dan werkt het gaspedaal mogelijk niet correct.

De T150 is ook compatibel met de Thrustmaster-pedaalssets met drie pedalen (*worden apart verkocht*).

Op deze sets is het mogelijk de functie van het koppelingspedaal en het gaspedaal te verwisselen.

Dit doet u door de MODE-knop (6) twee seconden ingedrukt te houden.

De door u ingestelde functie van de pedalen wordt opgeslagen in het interne geheugen van het racestuur.

| GASPEDAAL EN KOPPELINGSPEDAAL | Kleur van de MODE-indicator (6) |
|-------------------------------|---------------------------------|
| NORMAAL | ROOD |
| VERWISSELD | GROEN |

Meer functies van de MODE-knop

Meer informatie over de MODE-knop en de indicator vindt u op <http://ts.thrustmaster.com>. Klik in de sectie **Updates and Downloads** op **PlayStation® / Wheels / T150** en selecteer **Manual/Help file**.

HELPBESTANDEN EN FAQS (NIET OPGENOMEN IN DEZE HANDLEIDING)

Ga naar <http://ts.thrustmaster.com>, klik in de sectie **Updates and Downloads** op **PlayStation® / Wheels / T150** en selecteer **Manual/Help file**.

Informatie met betrekking tot kopersgarantie

Wereldwijd garandeert Guillemot Corporation S.A., het statutair adres gevestigd aan de Place du Granier, B.P. 97143, 35571 Chantepie, Frankrijk, (hierna te noemen "Guillemot") aan de koper dat dit Thrustmaster-product vrij zal zijn van materiaal- en fabricagefouten gedurende een garantieperiode gelijk aan de tijd maximaal vereist om een restitutie/vervanging voor dit product te claimen. In landen van de Europese Unie komt dit overeen met een periode van twee (2) jaar vanaf het moment van levering van het Thrustmaster-product. In andere landen komt de garantieperiode overeen met de tijd maximaal vereist om een restitutie/vervanging voor dit Thrustmaster-product te claimen zoals wettelijk is vastgelegd in het land waarin de koper woonachtig was op de datum van aankoop van het Thrustmaster-product. Indien een dergelijk claimrecht niet wettelijk is vastgelegd in het betreffende land, geldt een garantieperiode van één (1) jaar vanaf datum aankoop van het Thrustmaster-product. Ongeacht het hierboven gestelde, geldt voor oplaadbare batterijen een garantieperiode van zes (6) maanden vanaf datum aankoop.

Indien u in de garantieperiode een defect meent te constateren aan dit product, neem dan onmiddellijk contact op met Technical Support die u zal informeren over de te volgen procedure. Als het defect wordt bevestigd, dient het product te worden geretourneerd naar de plaats van aankoop (of een andere locatie die wordt opgegeven door Technical Support).

Binnen het gestelde van deze garantie wordt het defecte product van de koper gerepareerd of vervangen, zulks ter beoordeling van Technical Support. Indien het Thrustmaster-product tijdens de garantieperiode is onderworpen aan een dergelijk herstel, wordt elke periode van ten minste zeven (7) dagen waarin het product niet in gebruik is, opgeteld bij de resterende garantieperiode (deze periode loopt vanaf de datum van verzoek van de consument voor interventie of vanaf de datum waarop het product in kwestie beschikbaar is gesteld voor herstel als de datum waarop het product ter beschikking wordt gesteld voor herstel later is dan de datum van het verzoek om interventie). Indien toegestaan door van toepassing zijnde wetgeving, beperkt de volledige aansprakelijkheid van Guillemot en haar dochterondernemingen (inclusief de aansprakelijkheid voor vervolgschade) zich tot het repareren of vervangen van het Thrustmaster-product. Indien toegestaan door van toepassing zijnde wetgeving, wijst Guillemot elke garantie af met betrekking tot verhandelbaarheid of geschiktheid voor enig doel.

Deze garantie is niet van kracht: (1) indien het product aangepast, geopend of gewijzigd is, of beschadigd is ten gevolge van oneigenlijk of onvoorzichtig gebruik, verwaarlozing, een ongeluk, normale slijtage, of enige andere oorzaak die niet gerelateerd is aan een materiaal- of fabricagefout (inclusief maar niet beperkt tot het combineren van het Thrustmaster-product met enig ongeschikt element waaronder in het bijzonder voedingsadapters, oplaadbare batterijen, opladers of enig ander element niet geleverd door Guillemot voor dit product); (2) indien u zich niet houdt aan de instructies zoals verstrekt door Technical Support; (3) op software die onder een specifieke garantie valt; (4) op verbruiksartikelen (elementen die tijdens de levensduur van het product worden vervangen zoals bijvoorbeeld batterijen of pads van een headset of koptelefoon); (5) op accessoires (zoals bijvoorbeeld kabels, behuizingen, hoesjes, etui's, draagtassen of polsbandjes); (6) indien het product werd verkocht op een openbare veiling.

Deze garantie is niet overdraagbaar.

De wettelijke rechten van de koper die in zijn/haar land van toepassing zijn op de verkoop van consumentproducten worden op generlei wijze door deze garantie beperkt.

Aanvullende garantiebepalingen

Gedurende de garantieperiode zal Guillemot in principe nooit reserveonderdelen leveren omdat Technical Support de enige partij is die bevoegd is een Thrustmaster-product te openen en/of te herstellen (met uitzondering van een herstelprocedure die de klant door Technical Support gevraagd wordt uit te voeren met behulp van schriftelijke instructies – omdat deze procedure bijvoorbeeld eenvoudig is en het herstelproces niet vertrouwelijk is – en door het verstrekken aan de consument van de benodigde onderdelen, indien van toepassing).

Gezien de innovatiecycli en om haar knowhow en handelsgeheimen te beschermen, zal Guillemot in principe nooit een herstelbeschrijving of reserveonderdelen verstrekken voor een Thrustmaster-product waarvan de garantieperiode is verstreken.

In de Verenigde Staten en Canada is deze garantie beperkt tot het interne mechanisme en de externe behuizing van dit product. In geen geval kan Guillemot of een van de bij Guillemot aangesloten ondernemingen aansprakelijk worden gesteld voor enige derde partij voor vervolgschade of incidentele schade als gevolg van inbreuk op expliciete of impliciete garantiebepalingen. In sommige rechtsgebieden zijn beperkingen ten aanzien van de duur van impliciete garanties en uitsluiting of beperking van aansprakelijkheid voor incidentele schade of vervolgschade niet toegestaan. Het is dus mogelijk dat bovenstaande beperkingen of uitsluitingen voor u niet van toepassing is. Deze garantie verleent u specifieke wettelijke rechten. Anderzijds is het mogelijk dat u rechten hebt die niet in deze garantiebepalingen worden genoemd. Voorwaarden en condities variëren van land tot land.

Aansprakelijkheid

Indien toegestaan door van toepassing zijnde wetgeving, wijzen Guillemot Corporation S.A. (hierna te noemen "Guillemot") en haar dochterondernemingen alle aansprakelijkheid af voor enige schade veroorzaakt door één van de volgende oorzaken: (1) indien het product aangepast, geopend of gewijzigd is; (2) de montage-instructies niet zijn opgevolgd; (3) oneigenlijk of onvoorzichtig gebruik, verwaarlozing, een ongeluk (bijvoorbeeld stoten); (4) normale slijtage. Indien toegestaan onder van toepassing zijnde wetgeving, wijzen Guillemot en haar dochterondernemingen alle aansprakelijkheid af voor enige schade aan dit product niet gerelateerd aan een materiaal- of fabricagefout (inclusief maar niet beperkt tot enige schade direct of indirect veroorzaakt door enige software, of door het combineren van het Thrustmaster-product met enig ongeschikt element waaronder in het bijzonder voedingsadapters, oplaadbare batterijen, opladers of enig ander element niet geleverd door Guillemot voor dit product).

THRUSTMASTER®

TECHNISCHE ONDERSTEUNING

<http://ts.thrustmaster.com>



COPYRIGHT

© 2015 Guillemot Corporation S.A. Alle rechten voorbehouden. Thrustmaster® is een geregistreerd handelsmerk van Guillemot Corporation S.A.

Gelicenseerd voor verkoop in Europa, Afrika, Midden-Oosten, Rusland, India en Oceanië. Voor exclusief gebruik met PlayStation®3 en PlayStation®4.

"PS", "PlayStation", "PS3" en "ΔΟΧΩ" zijn geregistreerde handelsmerken van Sony Computer Entertainment Inc. "PS4" is een handelsmerk van hetzelfde bedrijf. Alle rechten voorbehouden.

Alle andere handelsmerken zijn het eigendom van hun respectieve eigenaren. Afbeeldingen zijn niet bindend. Inhoud, ontwerp en specificaties kunnen zonder kennisgeving vooraf worden gewijzigd en kunnen per land verschillen. Geproduceerd in China.

TouchSense®-technologie onder licentie van Immersion Software Ireland Limited. Beschermd door een of meer Amerikaanse patenten zoals vermeld op www.immersion.com/patent-marking.html en door andere aangevraagde patenten.

Geproduceerd en gedistribueerd door Guillemot Corporation S.A.

AANBEVELINGEN VOOR DE BESCHERMING VAN HET MILIEU



* In de Europese Unie: Gooi dit product na het einde van de levensduur niet weg met het normale afval, maar breng het naar het door uw gemeente aangewezen inzamelpunt voor elektrische en/of computerapparatuur.

Ter herinnering is hiertoe op het product, de gebruikshandleiding of de verpakking een symbool aangebracht.

De meeste materialen kunnen worden gerecycled. Door recycling en andere methoden voor verantwoorde verwerking van afgedankte elektrische en elektronische apparaten kunt u een belangrijke bijdrage leveren aan de bescherming van het milieu.

Neem contact op met uw gemeente voor informatie over een inzamelpunt bij u in de buurt.

In alle andere landen: houd u aan de plaatselijk milieuwetgeving voor elektrische en elektronische apparaten.

Bewaar deze informatie. De kleuren en decoraties kunnen variëren.

Plastic bevestigingen en hechtmaterialen moeten van het product worden verwijderd voordat het wordt gebruikt.

www.thrustmaster.com

**Alleen van toepassing in de EU en Turkije*



immersion.

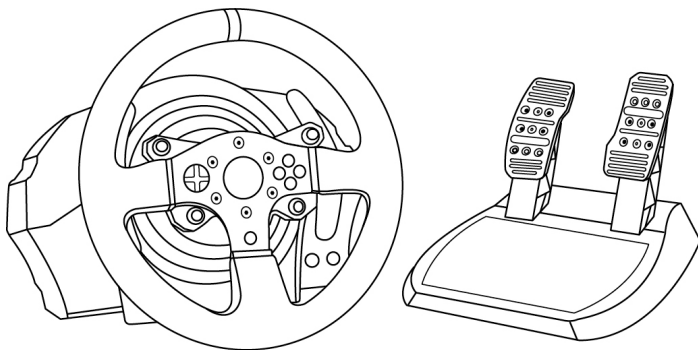




T150

FORCE FEEDBACK

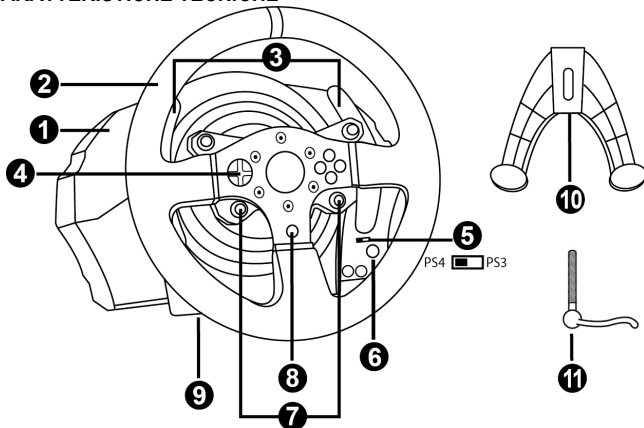
Manuale d'uso



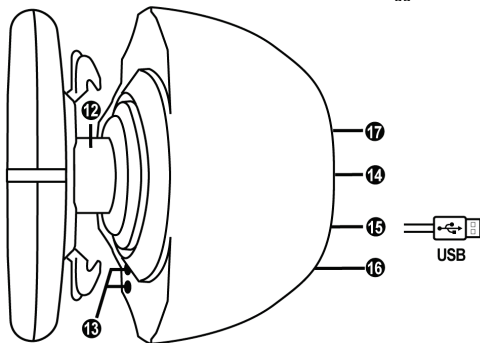
ATTENZIONE:

Per far sì che il tuo T150 funzioni correttamente con i giochi, potrebbe rendersi necessario installare gli aggiornamenti automatici dei giochi (disponibili nel momento in cui il tuo sistema viene collegato a internet).

CARATTERISTICHE TECNICHE



- | | |
|--------------------------------------------------------------------------------------------------------------------------------------------------------------------------------------------------------------------------|--------------------------------------------------------------------------------------------------------------------------------------------------------------------------------------------------------------------------------------|
| <p>1 Base T150</p> <p>2 Volante</p> <p>3 2 leve del cambio sequenziali (Up e Down)</p> <p>4 D-Pad multidirezionale</p> <p>5 Selettore USB integrato per PS4™/PS3™</p> <p>6 Pulsante MODE + spia luminosa rosso/verde</p> | <p>7 Pulsanti SELECT/START su PS3™ e SHARE/OPTIONS su PS4™</p> <p>8 Pulsante PS</p> <p>9 Ampio foro filettato (per sistema di aggancio e vite di fissaggio)</p> <p>10 Sistema di aggancio</p> <p>11 Vite di fissaggio in metallo</p> |
|--------------------------------------------------------------------------------------------------------------------------------------------------------------------------------------------------------------------------|--------------------------------------------------------------------------------------------------------------------------------------------------------------------------------------------------------------------------------------|



- | | |
|-----------------------------------------------------------------------------------------------------------------------------------------------------|-------------------------------------------------------------------------------------------------------------------------------------------|
| <p>12 Asse dello sterzo</p> <p>13 Pulsanti L3/R3</p> <p>14 Cavo di alimentazione o connettore di alimentazione (varia da una nazione all'altra)</p> | <p>15 Cavo USB e connettore del volante</p> <p>16 Connettore per cambio (cambio venduto separatamente)</p> <p>17 Connettore pedaliera</p> |
|-----------------------------------------------------------------------------------------------------------------------------------------------------|-------------------------------------------------------------------------------------------------------------------------------------------|

COLLEGARE IL VOLANTE A UNA PRESA DI CORRENTE: SI PREGA DI LEGGERE ATTENTAMENTE PRIMA DI PROCEDERE!

L'alimentatore del tuo volante varia a seconda della nazione in cui hai acquistato la tua periferica.

Solo versione Europea

Nota importante: la versione Europea del T150 è dotata di un alimentatore interno, collocato direttamente nella base del volante.

La versione Europea deve essere alimentata esclusivamente a 220V!

Non aprire mai la base del volante - rischio di shock elettrico!



**Power Supply
220~240V 50Hz 0.8A**

- Non devi far altro che collegare il connettore di alimentazione del volante ad una presa elettrica a 220 V.

Altre versioni (non Europea)

Nota: contrariamente alla versione Europea, il T150 non Europeo è dotato di un alimentatore esterno; assieme al volante viene distribuita un apposito apparecchio.

- Collega l'alimentatore esterno all'apposito connettore presente sul retro del volante, dopodiché collega l'alimentatore esterno ad una normale presa di corrente dal medesimo voltaggio.

ATTENZIONE

Prima di utilizzare questo prodotto, ti invitiamo a leggere con attenzione il presente documento e a conservare quest'ultimo in caso avessi bisogno di consultarlo nuovamente.



Attenzione – Shock elettrico

- * Conserva questo prodotto in un luogo asciutto e non esporlo alla polvere o alla luce del sole.
- * Non torcere e non tirare i connettori e i cavi.
- * Non versare liquidi sul prodotto o sui relativi connettori.
- * Non cortocircuitare il prodotto.
- * Non smontare questo prodotto; non gettarlo nel fuoco e non esporlo alle alte temperature.
- * Non usare un altro cavo di alimentazione oltre a quello fornito assieme al tuo volante.
- * Non utilizzare il cavo di alimentazione qualora quest'ultimo o i connettori dovessero risultare danneggiati, divisi o rotti.
- * Assicurati che il cavo di alimentazione si ben inserita in una presa di corrente e correttamente connesso al connettore presente nella parte posteriore della base del volante.
- * Non aprire il volante: all'interno non vi sono componenti utili all'utente. Qualunque riparazione dovrà essere effettuata dal produttore, da un suo rappresentante autorizzato o da un tecnico qualificato.
- * Usa unicamente sistemi di fissaggio/ accessori indicati dal produttore.
- * Qualora il volante non dovesse funzionare correttamente (se dovesse generare un qualunque suono inusuale, calore o odori), smetti immediatamente di utilizzarlo, scollega il cavo di alimentazione dal relativo connettore e scollega tutti gli altri cavi.
- * Se pensi di non dover utilizzare il volante per un lungo periodo di tempo, scollega l'alimentatore dalla presa di corrente.



Prese d'aria

Accertati di non ostruire nessuna delle prese d'aria presenti nella base del volante. per una ventilazione ottimale, attieniti alle seguenti indicazioni:

- * Colloca la base ad almeno 10cm di distanza dal muro.
- * Non collocare la base in uno spazio angusto.
- * Non coprire la base.
- * Non lasciare che la polvere penetri nella prese d'aria.



Per motivi di sicurezza, non utilizzare mai la pedaliera a piedi nudi o indossando solamente i calzini.

THRUSTMASTER® DECLINA OGNI RESPONSABILITÀ IN CASO DI INFORTUNI DERIVANTI DALL'USO DELLA PEDALIERA SENZA SCARPE.



Attenzione – Infortuni derivanti dal force feedback e dai movimenti ripetuti

Giocare con un volante force-feedback potrebbe causare dolori muscolari o articolari. Per evitare qualsiasi problema:

- * Evita di giocare per lunghi periodi di tempo.
- * Prenditi 10-15 minuti di pausa per ogni ora di gioco.
- * Qualora dovessi avvertire fatica o dolore a mani, polsi, braccia, piedi o gambe, smetti di giocare e riposati per alcune ore prima di ricominciare a giocare.



Attenzione – Infortuni derivanti dal force feedback e dai movimenti ripetuti (seguito)

- * Qualora i sintomi o il dolore sopradescritti dovessero persistere anche quando ricominci a giocare, smetti di giocare e consulta il tuo medico.
- * Tenere lontano dalla portata dei bambini.
- * Nei giochi, mantieni sempre le mani sul volante in posizione corretta, senza mai lasciarlo andare completamente.
- * Mentre giochi, non infilare mai le tue mani o le tue dita sotto ai pedali o in una qualunque posizione nei pressi della pedaliera.
- * Durante la calibrazione e mentre giochi, non infilare mai la tua mano o il tuo braccio attraverso le aperture del volante.
- * Assicurati che la base del volante sia ben fissata, così come indicato dalle istruzioni nel presente manuale.



Prodotto maneggiabile solo da utenti con un'età minima di 14 anni

PRODOTTO PESANTE



Fai attenzione a non far cadere il prodotto addosso a te o a chiunque altro!

SEMPRE



MAI



MAI





Attenzione – Rischio di schiacciamento da pedaliera mentre giochi

- * Tieni la pedaliera lontana dai bambini.
- * Mentre giochi, non appoggiare mai le tue dita sui pedali o nelle immediate vicinanze.
- * Mentre giochi, non appoggiare mai le tue dita sulla base posteriore dei pedali o nelle immediate vicinanze.
- * Mentre giochi, non appoggiare mai le tue dita sulla base anteriore dei pedali o nelle immediate vicinanze.



Attenzione – Rischio di schiacciamento da pedaliera quando non giochi

- * Conserva la pedaliera in un posto sicuro e tienila lontana dalla portata dei bambini.

AGGIORNARE IL FIRMWARE DEL TUO VOLANTE

Il firmware presente nella base del tuo volante può essere aggiornato ad una versione più recente, per apportare migliorie al prodotto.

Per visualizzare la versione del firmware attualmente presente nel tuo volante e, se necessario, aggiornarla: su PC, collegati al sito <http://ts.thrustmaster.com>. Nella sezione **Updates and Downloads**, clicca su **PlayStation® / Volanti / T150**, quindi scegli **Driver/Firmware** e segui le istruzioni sulla procedura di download e installazione.

Nota importante:

Su PC, il selettore USB (5) della base del volante deve essere sempre in posizione PS3™.

REGOLARE L'INCLINAZIONE DEI PEDALI

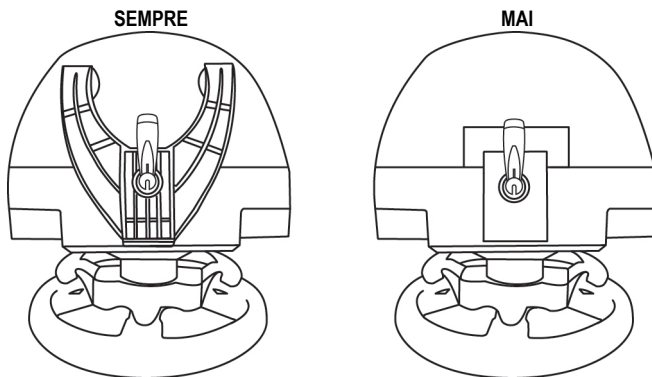
L'inclinazione dei pedali è regolabile.

Le istruzioni per la regolazione di ciascun pedale, sono disponibili su <http://ts.thrustmaster.com>.
Nella sezione **Updates and Downloads**, clicca su **PlayStation® / Wheels / T150**, dopodiché seleziona **Manual/Help file**.

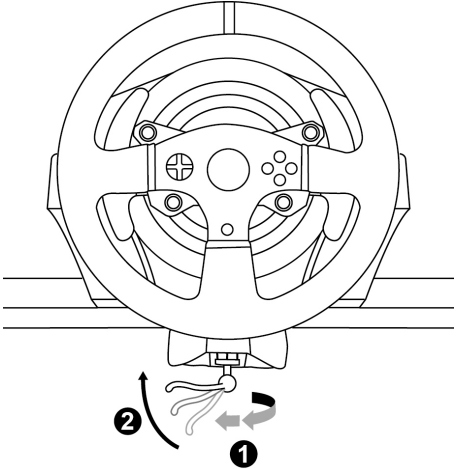
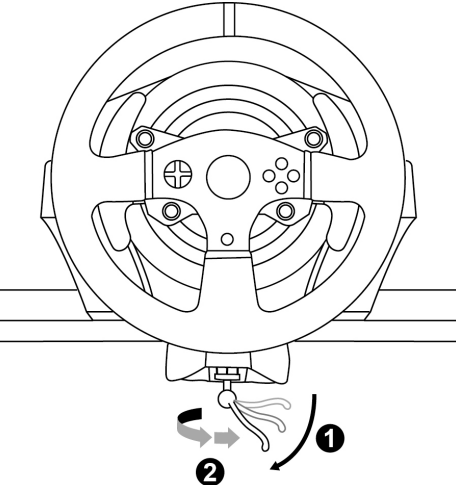
FISSARE IL VOLANTE

Fissare il volante a un tavolo o a una scrivania

1. Colloca il volante su un tavolo o su qualsiasi altra superficie piana, orizzontale e stabile.
2. Inserisci la vite di fissaggio (**11**) nel sistema di aggancio (**10**), dopodiché blocca la periferica ruotando la vite in senso antiorario, in modo tale che questa penetri nell'ampio foro filettato (**9**) presente nella parte inferiore del volante, finché il volante non risulti perfettamente stabile.



ATTENZIONE: Non stringere mai la vite da sola, senza il sistema di aggancio!
(Ciò potrebbe danneggiare il volante.)

| AGGANCIO / RIMOZIONE | DIREZIONE |
|------------------------------------------------------------------------------------|------------------------------------------------------------------------------------|
| <p><u>Per stringere:</u></p> <p><i>Gira la vite in senso antiorario</i></p> |  |
| <p><u>Per allentare:</u></p> <p><i>Gira la vite in senso orario</i></p> |  |

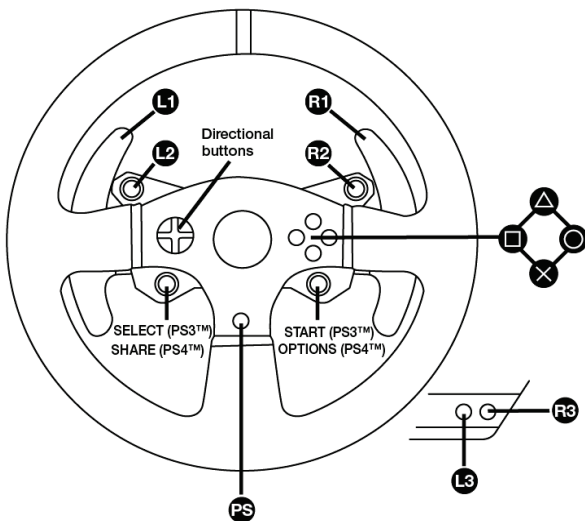
Agganciare la pedaliera ad un abitacolo

1. Aggancia la pedaliera sfruttando i piccoli fori per le viti presenti sulla sua parte posteriore.
2. Fai passare due viti tipo M6 (non incluse) attraverso il piano dell'abitacolo, quindi avvitalo nei due fori per le viti presenti sulla parte posteriore della pedaliera.

Importante: la lunghezza delle due viti tipo M6 non dovrà superare lo spessore del piano + 10 mm; viti più lunghe potrebbero danneggiare le componentistiche presenti all'interno della base del volante.

I diagrammi delle configurazioni per gli abitacoli (per il posizionamento della base del volante e/o della pedaliera) sono disponibili sul sito <http://ts.thrustmaster.com>: nella sezione **Updates and Downloads**, clicca su **PlayStation® / Wheels / T150**, quindi scegli **Manual/Help file**.

MAPPATURA SU PLAYSTATION®3 E PLAYSTATION®4



INSTALLARE IL VOLANTE SU PLAYSTATION®3 o PLAYSTATION®4

1. Collega la pedaliera al connettore (17) presente nella parte posteriore della base del volante.
2. Collega il cavo di alimentazione al connettore (14) presente nella parte posteriore della base del volante.
3. Collega il cavo di alimentazione a una presa di corrente, rispettando le indicazioni sul voltaggio elettrico.



Per ulteriori informazioni su questo punto, consulta il capitolo COLLEGARE IL VOLANTE A UNA PRESA DI CORRENTE, a pagina 3 del presente manuale.

4. Sposta il selettore USB (5) della base del volante in posizione PS3™ o PS4™, in base al sistema o al gioco utilizzati.
5. Collega il connettore USB del volante (15) ad una delle porte USB del sistema.
6. Una volta acceso il tuo sistema, il tuo volante si calibrerà automaticamente.
7. Su PlayStation®4 (con il selettore USB in posizione PS4™): per poter utilizzare il volante, premi il pulsante PS del volante (8) e accedi al tuo account Sony Entertainment Network.

Ora sei pronto/a per giocare!

Note importanti:

- Prima di collegare il cavo USB del volante al sistema, il selettore USB (5) presente sulla base del volante dovrà sempre trovarsi nella corretta posizione (PS3™ o PS4™). Per cambiare la posizione del selettore, scollega il cavo USB dal sistema e cambia la posizione del selettore prima di ricollegare il cavo USB al sistema.
- Su PlayStation®3, il selettore USB (5) dovrà sempre trovarsi in posizione PS3™:
 - * Nella maggior parte dei giochi, il volante verrà riconosciuto come un volante T500RS.
 - * Il volante funziona con i giochi compatibili e nei menu del sistema.
 - * La funzione "PS" è attiva sul volante.
- Su PlayStation®4, con il selettore USB (5) in posizione PS3™:
 - * Nella maggior parte dei giochi, il volante verrà riconosciuto come un volante T500RS.
 - * Il volante funziona con i giochi compatibili, ma non nei menu del sistema.
 - * Le funzioni "SHARE" e "PS" non funzionano sul volante.
- Su PlayStation®4, con il selettore USB (5) in posizione PS4™:
 - * Per poter utilizzare il volante, ricordati di premere il pulsante PS del volante (8).
 - * Nella maggior parte dei giochi, il volante verrà riconosciuto come un volante T300 RS o T150.
 - * Il volante funziona con i giochi compatibili e nei menu del sistema.
 - * Le funzioni "SHARE" e "PS" sono attive sul volante.
- L'elenco dei giochi per PlayStation®3 e PlayStation®4 compatibili con il T150 (oltre alla posizione del selettore USB (5) richiesta per i vari giochi) è disponibile sul sito:
<http://ts.thrustmaster.com> (nella sezione Updates and Downloads, clicca su PlayStation® / Wheels / T150).
Questo elenco viene aggiornato regolarmente.

CONFIGURAZIONE DEL VOLANTE PER PC*

*Compatibilità PC non testata e non approvata da Sony Computer Entertainment Europe.

Nota importante:

Su PC, il selettore USB (5) della base del volante deve essere sempre in posizione PS3™.

1. Vai sul sito <http://ts.thrustmaster.com> per scaricare i driver e il software Force Feedback per PC. Nella sezione Updates and Downloads, clicca su PC / Wheels / T150, dopodiché seleziona Drivers.
2. Una volta completato il download, avvia l'installazione e segui le istruzioni che appariranno sullo schermo per collegare al computer il connettore USB del tuo volante e completare l'installazione.
3. Una volta completata l'installazione, clicca su Fine e riavvia il tuo computer.
4. Seleziona Start / Tutti i programmi / Thrustmaster / FFB Racing Wheel / Pannello di Controllo per aprire la finestra Controller di Gioco.

Nella finestra Controller di Gioco comparirà il volante col nome T150 Racing Wheel con associato lo stato di OK.

5. Clicca su Proprietà per configurare il tuo volante nel pannello di controllo di T150:

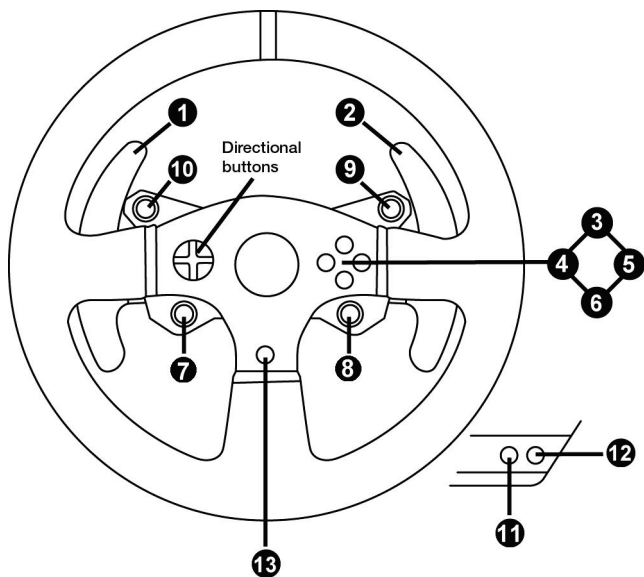
- Scheda Test Input: permette di testare e visualizzare i pulsanti azione, i pulsanti direzionali, gli assi di volante e pedali, oltre a regolare l'angolo di rotazione del volante nei tuoi giochi per PC.
- Scheda Test Forze: consente di testare 12 effetti force feedback.
- Scheda Impostazioni Guadagno: permette di regolare la potenza degli effetti force feedback nei tuoi giochi per PC.

Ora sei pronto per giocare!

Note generali:

- Su PC, prima di avviare il gioco, clicca su OK per chiudere la finestra Controller di Gioco.
- Su PC, i parametri impostati nella finestra Periferiche di Gioco verranno salvate solo sul tuo computer (di conseguenza, non avranno alcun effetto su PlayStation®3 o PlayStation®4).
- La versione del firmware del tuo volante viene visualizzata nell'angolo in alto a destra nelle schede del pannello di controllo del T150.

MAPPATURA PC



CALIBRAZIONE AUTOMATICA DI VOLANTE E PEDALIERA

Il volante si calibra automaticamente nel momento in cui colleghi il volante alla rete elettrica e colleghi il connettore USB del volante al sistema PlayStation®3 o PlayStation®4. Durante questa fase, il volante si muoverà rapidamente a destra e a sinistra, coprendo un angolo di 1080 gradi, prima di fermarsi in posizione centrale.



ATTENZIONE:

Non toccare mai il volante durante la fase di auto-calibrazione!
(Ciò potrebbe causare un'errata calibrazione e/o infortuni personali.)

CALIBRAZIONE AUTOMATICA DELLA PEDALIERA

Non collegare mai la pedaliera alla base del volante (né scollegarla mai dalla base) mentre il volante è collegato al sistema o durante i giochi (ciò potrebbe causare un'errata calibrazione). Collega sempre la pedaliera prima di collegare il volante al sistema. Una volta completata la calibrazione del volante e avviato il gioco, i pedali si auto-calibreranno dopo averli premuti alcune volte.



ATTENZIONE:

Non premere mai i pedali durante la fase di auto-calibrazione del volante o durante il caricamento di un gioco!
(Ciò potrebbe causare un'errata calibrazione.)

Qualora il tuo volante e la tua pedaliera non funzionassero correttamente, o se la calibrazione dovesse apparirti errata:

Spegni il tuo sistema, scollega completamente il tuo volante, ricollega tutti i cavi (compresi il cavo di alimentazione e la pedaliera), quindi riavvia il tuo sistema e il tuo gioco.

PULSANTE MODE E SPIA LUMINOSA (6)

Pulsante MODE per la pedaliera

La pedaliera acclusa al T150 presenta 2 pedali.

Durante l'uso della pedaliera, assicurati che il led resti sempre acceso in rosso, altrimenti il pedale dell'acceleratore non funzionerà correttamente.

Il T150 è compatibile anche con pedalieri Thrustmaster a 3 pedali (*vendute separatamente*); in questo modo potrai scambiare elettronicamente fra loro i pedali di acceleratore e frizione.

Per far questo, non devi far altro che tenere premuto il pulsante MODE (6) per 2 secondi.

Lo stato dell'attivazione dello scambio tra i pedali viene salvato nella memoria interna del volante.

| PEDALI ACCELERATORE E FRIZIONE | Colore del led MODE (6) |
|--------------------------------|-------------------------|
| NORMALI | ROSSO |
| SCAMBIATI | VERDE |

Altri consigli per il pulsante MODE

Per saperne di più sul pulsante e sul led MODE, consulta il sito <http://ts.thrustmaster.com>; nella sezione **Updates and downloads**, clicca su **PlayStation® / Wheels / T150**, quindi scegli **Manual/Help file**.

FILE DI AIUTO E FAQ (NON INCLUSI NEL PRESENTE MANUALE)

Visita il sito <http://ts.thrustmaster.com> e nella sezione **Updates and Downloads**, clicca su **PlayStation® / Wheels / T150**, dopodiché scegli **Manual/Help file**.

Informazioni sulla garanzia al consumatore

A livello mondiale, Guillemot Corporation S.A., avente sede legale in Place du Granier, B.P. 97143, 35571 Chantepie, Francia (d'ora in avanti "Guillemot") garantisce al consumatore che il presente prodotto Thrustmaster sarà privo di difetti relativi ai materiali e alla fabbricazione, per un periodo di garanzia corrispondente al limite temporale stabilito per la presentazione di un reclamo riguardante la conformità del prodotto in questione. Nei paesi della Comunità Europea, tale periodo equivale a due (2) anni a partire dalla consegna del prodotto Thrustmaster. In altri paesi, la durata della garanzia corrisponde al limite temporale stabilito per la presentazione di un reclamo riguardante la conformità del prodotto Thrustmaster in base alle leggi applicabili nel paese in cui il consumatore risiedeva alla data di acquisto del prodotto Thrustmaster (qualora nel paese in questione non esistesse alcuna norma a riguardo, il periodo di garanzia corrisponderà a un (1) anno a partire dalla data originale di acquisto del prodotto Thrustmaster).

Diversamente da quanto affermato in precedenza, le batterie ricaricabili sono coperte da una garanzia di sei (6) mesi dalla data di acquisto originale.

Qualora, durante il periodo di garanzia, il prodotto dovesse apparire difettoso, contatti immediatamente l'Assistenza Tecnica, che le indicherà la procedura da seguire. Qualora il difetto dovesse essere confermato, il prodotto dovrà essere riportato al luogo di acquisto (o qualsiasi altro luogo indicato dall'Assistenza Tecnica).

Nel contesto della presente garanzia, il prodotto difettoso di proprietà del consumatore potrà essere sostituito o reso nuovamente funzionante, a discrezione dell'Assistenza Tecnica. Se, durante il periodo coperto dalla garanzia, il prodotto Thrustmaster fosse oggetto di tale rimessa in operatività, alla rimanente durata della garanzia dovrà essere aggiunto un periodo di almeno sette (7) giorni, durante il quale il prodotto risulta non utilizzabile (tale periodo intercorre dalla data della richiesta di intervento da parte del consumatore o dalla data in cui il prodotto in questione è reso disponibile per la rimessa in operatività, questo nel caso in cui tale data sia successiva alla data di richiesta di intervento). Qualora le leggi applicabili in materia lo consentano, la totale responsabilità di Guillemot e delle sue controllate (compresi i danni conseguenti) si limita alla rimessa in operatività o alla sostituzione del prodotto Thrustmaster. Qualora le leggi applicabili in materia lo consentano, Guillemot declina ogni garanzia sulla commerciabilità o la conformità a finalità particolari.

La presente garanzia non potrà essere applicata: (1) se il prodotto è stato modificato, aperto, alterato o ha subito danni derivanti da un uso inappropriato o non autorizzato, da negligenza, da un incidente, dalla semplice usura, o da qualsiasi altra causa non riconducibile a difetti nei materiali o nell'assemblaggio (compresi, ma non i soli, prodotti Thrustmaster combinati con elementi inadatti, tra cui, in particolare, batterie ricaricabili, caricatori o qualsiasi altro elemento non fornito da Guillemot per questo prodotto); (2) in caso di mancato rispetto delle istruzioni fornite dall'Assistenza Tecnica; (3) in caso di software, ovvero software soggetto a una specifica garanzia; (4) ai materiali di consumo (elementi che richiedono la loro sostituzione al termine della loro durata di esercizio come, ad esempio, batterie di tipo convenzionale o cuscinetti protettivi per auricolari o cuffie); (5) agli accessori (ad esempio, cavi, custodie, borsette, borse, cinturini); (6) se il prodotto è stato venduto ad un'asta pubblica.

La presente garanzia non è trasferibile.

I diritti legali del consumatore, stabiliti dalle leggi vigenti in materia di vendita di beni di consumo nel relativo paese, non vengono intaccati dalla presente garanzia.

Disposizioni aggiuntive sulla garanzia

Per tutta la durata della garanzia, in linea di principio, Guillemot non fornirà alcuna parte di ricambio, in quanto la sola Assistenza Tecnica è la parte autorizzata ad aprire e/o rimettere in funzionamento tutti i prodotti Thrustmaster (fatta eccezione per eventuali procedure di rimessa in operatività che l'Assistenza Tecnica potrebbe richiedere al consumatore, attraverso istruzioni scritte – viste, ad esempio, la semplicità e la mancanza di riservatezza della procedura di rimessa in operatività – e fornendo al consumatore le necessarie parti di ricambio, se ve ne fosse l'esigenza).

Considerando i propri cicli di innovazione e per proteggere il proprio know-how e i propri segreti commerciali, in linea di principio, Guillemot non fornirà alcuna notifica o parte di ricambio finalizzata alla rimessa in attività di un qualunque prodotto Thrustmaster il cui periodo di garanzia risultasse scaduto.

Negli Stati Uniti d'America e in Canada, la presente garanzia è limitata al meccanismo interno del prodotto e alla struttura esterna. In nessun caso Guillemot o le sue controllate potranno essere ritenute responsabili, da una qualunque parte terza, per qualsiasi danno accidentale o consequenziale derivante dalla violazione di una qualunque garanzia, espressa o implicita. Alcuni Stati/Province non ammettono limitazioni alla durata di una garanzia implicita, oppure all'esclusione o alla limitazione della responsabilità per danni accidentali o consequenziali, per cui le suddette limitazioni o esclusioni potrebbero non riguardarti. La presente garanzia ti fornisce specifici diritti legali, inoltre potresti avere anche altri diritti, variabili da Stato a Stato o da Provincia a Provincia.

Responsabilità

Qualora le leggi applicabili in materia lo consentano, Guillemot Corporation S.A. (d'ora in avanti "Guillemot") e le sue controllate declinano ogni responsabilità per qualsiasi danno derivante da almeno una delle seguenti condizioni: (1) il prodotto è stato modificato, aperto o alterato; (2) mancato rispetto delle istruzioni di installazione; (3) uso inappropriato o non permesso, negligenza, incidente (come, ad esempio, un impatto); (4) semplice usura. Qualora le leggi applicabili in materia lo consentano, Guillemot e le sue controllate declinano ogni responsabilità per qualsiasi danno non riconducibile a difetti nei materiali o nella fabbricazione del prodotto (compresi, ma non i soli, potenziali danni causati direttamente o indirettamente da un qualunque software, oppure dall'uso del prodotto Thrustmaster in combinazione con elementi inadatti, tra cui, in particolare, batterie ricaricabili, caricatori o qualsiasi altro elemento non fornito da Guillemot per questo prodotto).

THRUSTMASTER®

ASSISTENZA TECNICA

<http://ts.thrustmaster.com>



COPYRIGHT

© 2015 Guillemot Corporation S.A. Tutti i diritti riservati. Thrustmaster® è un marchio registrato da Guillemot Corporation S.A.

Con licenza di vendita in Europa, Africa, Medio Oriente, Russia, India e Oceania. Utilizzabile esclusivamente con PlayStation®3 e PlayStation®4.

"PS", "PlayStation", "PS3" e "ΔΟΧΟ" sono marchi registrati da Sony Computer Entertainment Inc. "PS4" è un marchio appartenente alla medesima compagnia. Tutti i diritti riservati.

Tutti gli altri marchi appartengono ai legittimi proprietari. Illustrazioni puramente indicative. I contenuti, i design e le caratteristiche possono essere oggetto di modifiche senza preavviso e possono variare da una nazione all'altra. Fabbricato in Cina.

Tecnologia TouchSense® su licenza di Immersion Software Ireland Limited. Protetta da uno o più Brevetti degli Stati Uniti, consultabili al seguente indirizzo: www.immersion.com/patent-marking.html, oltre ad altri brevetti in fase di approvazione.

Prodotto e distribuito da Guillemot Corporation S.A.

RACCOMANDAZIONI SULLA TUTELA DELL'AMBIENTE



* Nell'Unione Europea: Al termine della sua vita operativa, questo prodotto non dovrebbe essere gettato assieme ai comuni rifiuti, ma dovrebbe essere portato ad un apposito punto di raccolta destinato al riciclaggio del Materiale Elettrico ed Elettronico.

Ciò è confermato dal simbolo riportato sul prodotto, nel manuale d'uso o sulla confezione.

A seconda delle proprie caratteristiche, i materiali potrebbero essere riciclati.

Tramite il riciclaggio ed altre forme di trattamento del Materiale Elettrico ed Elettronico, è possibile fornire un importante contributo per la salvaguardia dell'ambiente.

Per conoscere i punti di raccolta più vicini a te, contatta le autorità locali competenti.

In tutti gli altri Paesi: per favore, rispetta le leggi locali sul riciclo dei materiali elettrici ed elettronici.

Informazioni da conservare. I colori e le decorazioni possono variare.

I ganci di plastica e gli adesivi dovrebbero essere rimossi dal prodotto prima che quest'ultimo venga utilizzato.

www.thrustmaster.com

**Valido solo in UE e Turchia*



immersion.

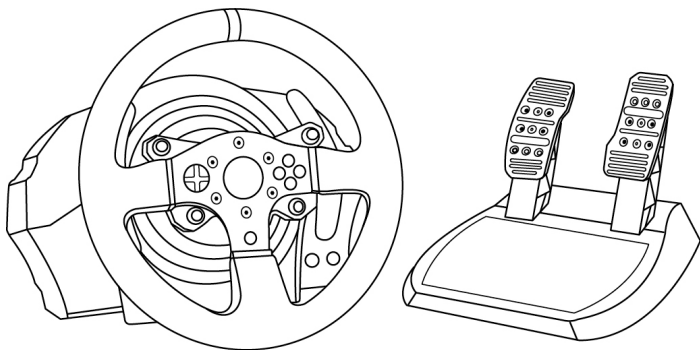




T150

FORCE FEEDBACK

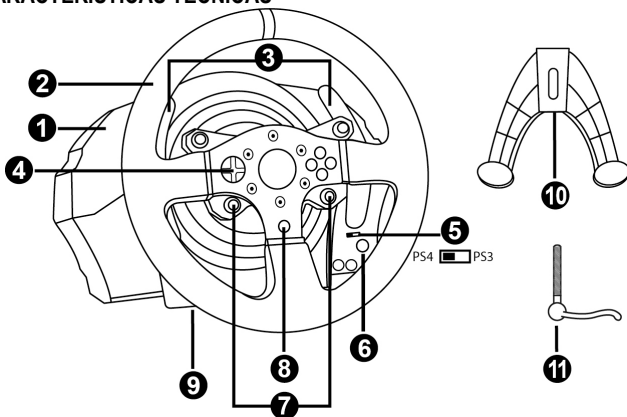
Manual del usuario



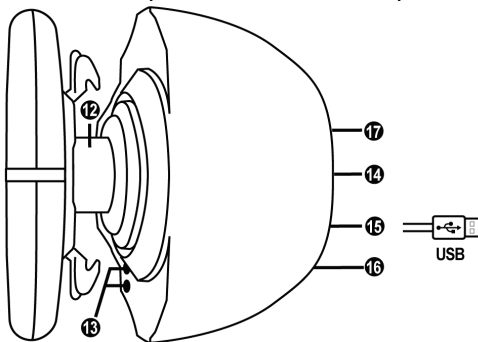
ADVERTENCIA:

Para asegurarte de que tu volante de carreras T150 funcione correctamente con juegos, puede que tengas que instalar las actualizaciones automáticas de los juegos (disponibles cuando tu sistema está conectado a Internet).

CARACTERÍSTICAS TÉCNICAS



- | | |
|-------------------------------------------------------|---------------------------------------------------------------------------|
| 1 Base de T150 | 7 Botones SELECT/START en PS3™ y SHARE/OPTIONS en PS4™ |
| 2 Volante | 8 Botón PS |
| 3 2 levas de cambio secuenciales (Up y Down) | 9 Agujero roscado grande (para sistema de fijación y tornillo de apriete) |
| 4 D-Pad multidireccional | 10 Sistema de fijación |
| 5 Interruptor deslizante USB integrado para PS4™/PS3™ | 11 Tornillo de fijación metálico |
| 6 Botón MODE + luz indicadora roja/verde | |



- | | |
|------------------------------------------------------------------------------------------------------|-----------------------------------------------------------------------|
| 12 Eje de dirección | 15 Conector y cable USB del volante de carreras |
| 13 Botones L3/R3 | 16 Conector de caja de cambios (caja de cambios vendida por separado) |
| 14 Cable de alimentación o Conector de fuente de alimentación (tipo A o B) (varía de un país a otro) | 17 Conector de los pedales |

¡CONEXIÓN DEL VOLANTE DE CARRERAS A UN ENCHUFE ELÉCTRICO: LEER ANTES DE CONTINUAR!

La fuente de alimentación del volante de carreras varía en función del país en el que hayas comprado el dispositivo.

Sólo versiones europeas

Nota importante: La versión europea del T150 está equipada con una fuente de alimentación interna, situada directamente en el interior de la base del volante de carreras.

¡La versión europea se debe conectar exclusivamente a una corriente de 220 V!
¡No abrir nunca la base del volante de carreras, riesgo de descarga eléctrica!



Power Supply
220~240V 50Hz 0.8A

- Basta con conectar el enchufe eléctrico del volante de carreras a una toma eléctrica de 220 V.

Otras versiones (no europeas)

Nota: Al contrario que sucede con la versión europea, los T150 no europeos incluyen una fuente de alimentación externa; se proporciona un dispositivo específico con el volante de carreras.

- Conecta el adaptador externo al conector correspondiente situado en la parte trasera del volante de carreras y luego conecta el adaptador de corriente eléctrica externo a una toma eléctrica estándar con el mismo voltaje.

ADVERTENCIAS

Antes de utilizar este producto, lee detenidamente este manual y consérvalo para consultarlo posteriormente.



Advertencia – Descarga eléctrica

- * Mantén el producto en un lugar seco y no lo expongas al polvo ni a la luz directa del sol.
- * No retuerzas ni tires de los conectores ni de los cables.
- * No derrames líquidos en el producto ni en sus conectores.
- * No cortocircuites el producto.
- * No desmontes nunca el producto ni lo lances al fuego ni lo expongas a temperaturas elevadas.
- * No utilices otro cable de fuente de alimentación distinto del proporcionado con el volante de carreras.
- * No utilices el cable de fuente de alimentación si el cable o los conectores están dañados, partidos o rotos.
- * Asegúrate de que el cable de fuente de alimentación esté enchufado correctamente en un enchufe eléctrico, y conectado correctamente al conector de la parte trasera de la base del volante de carreras.
- * No abras el volante de carreras: en el interior no hay piezas que el usuario pueda arreglar. Las reparaciones las debe realizar el fabricante, su representante autorizado o un técnico cualificado.
- * Utiliza únicamente sistemas de fijación/accesorios especificados por el fabricante.
- * Si el volante de carreras se comporta de forma anormal (si emite sonidos anormales, calor u olores), deja de utilizarlo inmediatamente, desenchufa el cable de fuente de alimentación del enchufe eléctrico y desconecta los demás cables.
- * Si no vas a utilizar el volante de carreras durante un período de tiempo prolongado, desenchufa su cable de fuente de alimentación del enchufe eléctrico.



Rejillas de ventilación

Asegúrate de no bloquear ninguna de las rejillas de ventilación de la base del volante de carreras. Para obtener una ventilación óptima, respeta los puntos siguientes:

- * Coloca la base del volante al menos a 10 cm de distancia de las paredes.
- * No coloques la base en espacios estrechos.
- * No tapes la base.
- * No dejes que se acumule polvo en las rejillas de ventilación.



Por razones de seguridad, no uses nunca los pedales con los pies descalzos o únicamente con calcetines en los pies.

THRUSTMASTER® DECLINA TODA RESPONSABILIDAD EN CASO DE LESIONES PRODUCTO DEL USO DE LOS PEDALES SIN CALZADO.



Advertencia – Lesiones debidas al Force Feedback y los movimientos repetitivos

Jugar con un volante con Force Feedback puede producir dolor en las articulaciones o en los músculos. Para evitar problemas:

- * Evita jugar durante períodos prolongados.
- * Haz descansos de 10 a 15 minutos por cada hora de juego.
- * Si sientes fatiga o dolor en las manos, muñecas, brazos, pies o piernas, deja de jugar y descansa durante unas horas antes de volver a jugar.



Advertencia – Lesiones debidas a Force Feedback y los movimientos repetitivos (continuación)

- * Si los síntomas o el dolor indicados anteriormente persisten cuando vuelves a jugar, deja de hacerlo y consulta al médico.
- * Mantén el volante fuera del alcance de los niños.
- * Durante el juego, mantén siempre ambas manos colocadas correctamente en el volante sin dejarlas completamente caídas.
- * Mientras estés jugando, no coloques nunca las manos ni los dedos debajo de los pedales, ni tampoco cerca de ellos.
- * Durante la calibración y el juego, no metas nunca las manos ni los brazos a través de las aberturas del volante de carreras.
- * Asegúrate de que la base del volante de carreras esté fijada correctamente, según las instrucciones de este manual.

PRODUCTO PESADO



El producto sólo puede ser manejado por usuarios de 14 años de edad como mínimo



¡Ten cuidado de no dejar caer el producto encima de ti o de otra persona!

SIEMPRE



NUNCA



NUNCA





Advertencia – Peligro de pillarse los dedos con los pedales mientras se juega

- * Mantén los pedales fuera del alcance de los niños.
- * Cuando juegues, no pongas nunca los dedos en los lados de los pedales ni cerca de ellos.
- * Cuando juegues, no pongas nunca los dedos sobre la base trasera de los pedales ni cerca de ella.
- * Cuando juegues, no pongas nunca los dedos sobre la base delantera de los pedales ni cerca de ella.

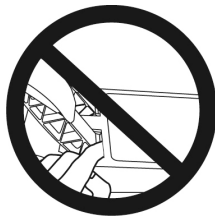
NUNCA



NUNCA



NUNCA



Advertencia – Peligro de pillarse los dedos con los pedales cuando no se juega

- * Guarda los pedales en un lugar seguro y lejos del alcance de los niños.

ACTUALIZACIÓN DEL FIRMWARE DEL VOLANTE DE CARRERAS

El firmware incluido en la base del volante de carreras se puede actualizar a una versión más reciente que incluya mejoras del producto.

Para mostrar la versión de firmware que está usando actualmente tu volante de carreras y actualizarla si es necesario: en PC, visita <http://ts.thrustmaster.com>. En la sección **Updates and Downloads**, haz clic en **PlayStation® / Wheels / T150** y, a continuación, selecciona **Driver/Firmware** y sigue las instrucciones que describen el procedimiento de descarga e instalación.

Nota importante:

En PC, el interruptor deslizante de USB (5) de la base del volante de carreras siempre debe estar puesto en la posición PS3™.

AJUSTE DE LA INCLINACIÓN DE LOS PEDALES

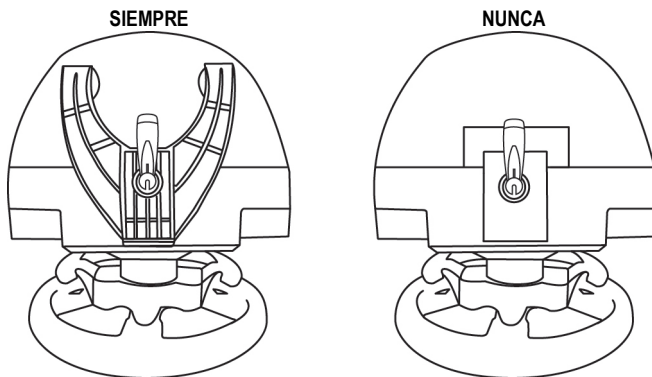
La inclinación de los pedales se puede ajustar.

Las instrucciones de ajuste de cada pedal están disponibles en <http://ts.thrustmaster.com>. En la sección **Updates and Downloads**, haz clic en **PlayStation® / Wheels / T150** y, a continuación, selecciona **Manual/Help file**.

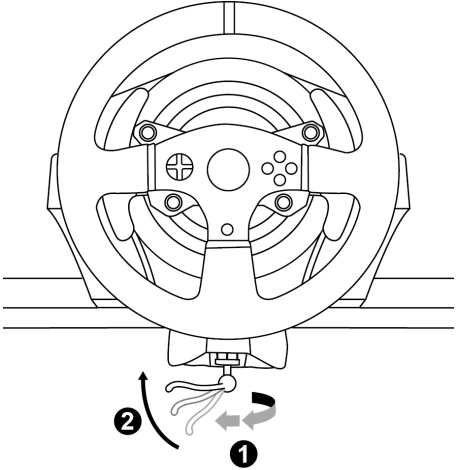
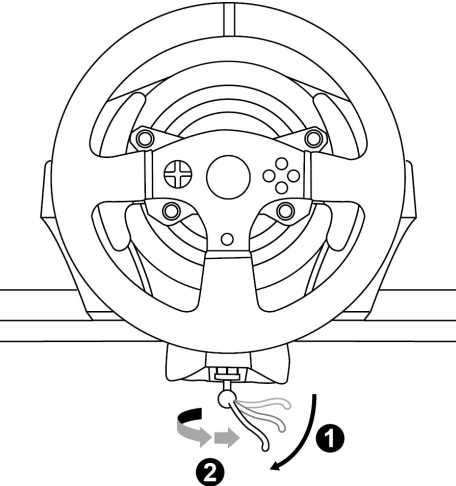
FIJACIÓN DEL VOLANTE DE CARRERAS

Fijación del volante de carreras a una mesa o un escritorio

1. Coloca el volante de carreras en una mesa o en otra superficie horizontal, plana y estable.
2. Inserta el tornillo de sujeción (11) en el sistema de fijación (10) y, a continuación, aprieta el dispositivo girando el tornillo a la izquierda, para que entre en el agujero roscado grande (9) situado debajo del volante de carreras, hasta que el volante esté perfectamente estable.



ADVERTENCIA: ¡No aprietes nunca el tornillo solo, sin el sistema de fijación en su sitio!
(De hacerlo así, se podría dañar el volante).

| COLOCACIÓN / RETIRADA | INDICACIÓN |
|-----------------------------------------------------------------------------------|------------------------------------------------------------------------------------|
| <p>Para apretar:</p> <p><i>Gira el tornillo hacia la izquierda</i></p> |  |
| <p>Para aflojar:</p> <p><i>Gira el tornillo hacia la derecha</i></p> |  |

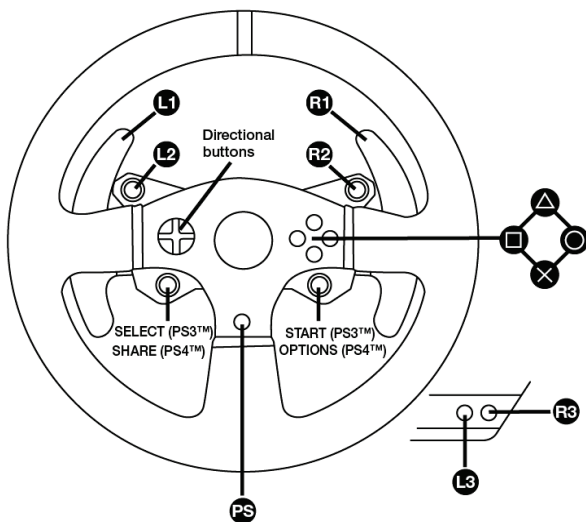
Fijación del volante de carreras a una cabina

1. Fija los pedales usando los agujeros roscados pequeños situados en su cara inferior.
2. Pasa dos tornillos M6 (no incluidos) a través del estante de la cabina e insértalos en los dos agujeros roscados pequeños situados en la cara inferior de los pedales.

Importante: La longitud de los dos tornillos M6 no debe exceder el grosor del estante + 10 mm; tornillos más largos podrían dañar los componentes internos situados en los pedales.

Los **diagramas de diseño para cabinas** (para colocar la base del volante de carreras y/o los pedales) están disponibles en <http://fs.thrustmaster.com>: en la sección **Updates and Downloads**, haz clic en **PlayStation® / Wheels / T150** y, a continuación, selecciona **Manual/Help file**.

ASIGNACIÓN DE PLAYSTATION®3 Y PLAYSTATION®4



CONFIGURACIÓN DEL VOLANTE DE CARRERAS PARA PLAYSTATION®3 O PLAYSTATION®4

1. Conecta los pedales al conector (17) situado en la parte trasera de la base del volante de carreras.
2. Conecta el cable de fuente de alimentación al conector (14) situado en la parte trasera de la base del volante de carreras.
3. Enchufa el cable de fuente de alimentación a un enchufe eléctrico con las mismas especificaciones de tensión.



Para más información sobre esto, consulta la sección CONEXIÓN DEL VOLANTE DE CARRERAS A UN ENCHUFE ELÉCTRICO, en la página 3 de este manual.

4. Pon el interruptor selector de USB (5) de la base del volante de carreras en la posición PS3™ o PS4™, en función del sistema o el juego que estés usando.
5. Conecta el conector USB del volante de carreras (15) a uno de los puertos USB del sistema.
6. Una vez encendido el sistema, el volante de carreras se calibrará solo automáticamente.
7. En PlayStation®4 (cuando el interruptor selector de USB está puesto en la posición de PS4™): pulsa el botón PS del volante (8) e inicia sesión en tu cuenta Sony Entertainment Network para poder usar el volante.

¡Ya estás preparado para jugar!

Notas importantes:

- El interruptor selector USB (5) de la base del volante de carreras siempre debe ponerse en la posición adecuada (PS3™ o PS4™) antes de conectar el cable USB del volante al sistema. Para cambiar la posición del interruptor selector, desconecta el cable USB del sistema y, a continuación, cambia la posición del interruptor antes de volver a conectar el cable USB al sistema.
- En PlayStation®3, el interruptor selector de USB (5) siempre debe ponerse en la posición PS3™:
 - * El volante se reconoce en la mayoría de los juegos como un volante T500RS.
 - * El volante está operativo en los juegos compatibles y en los menús del sistema.
 - * La función "PS" está operativa en el volante.
- En PlayStation®4, con el interruptor selector de USB (5) en la posición PS3™:
 - * El volante se reconoce en la mayoría de los juegos como un volante T500RS.
 - * El volante está operativo en los juegos compatibles, pero no en los menús del sistema.
 - * Las funciones "SHARE" y "PS" no están operativas en el volante.
- En PlayStation®4, con el interruptor selector de USB (5) en la posición PS4™:
 - * No olvides pulsar el botón PS del volante de carreras (8) para poder usar el volante.
 - * El volante se reconoce en la mayoría de los juegos como un volante T300 RS o T150.
 - * El volante está operativo en los juegos compatibles y en los menús del sistema.
 - * Las funciones "SHARE" y "PS" están operativas en el volante.
- La lista de juegos de PlayStation®3 y PlayStation®4 compatibles con el T150 (junto con la posición requerida del interruptor selector de USB (5) según el juego que se esté jugando) está disponible en:
<http://ts.thrustmaster.com> (en la sección Updates and Downloads, haz clic en PlayStation® / Wheels / T150).
Esta lista se actualiza regularmente.

CONFIGURACIÓN DEL VOLANTE DE CARRERAS PARA PC*

*Compatibilidad con PC no testada y no avalada por Sony Computer Entertainment Europe.

Nota importante:

En PC, el interruptor deslizante de USB (5) de la base del volante de carreras siempre debe estar puesto en la posición PS3™.

1. Dirígete a <http://ts.thrustmaster.com> para descargar los controladores y el software de Force Feedback para PC. En la sección Updates and Downloads, haz clic en PC / Wheels / T150 y, a continuación, selecciona Drivers.

2. Una vez terminada la descarga, inicia la instalación y sigue las instrucciones en pantalla para conectar la clavija USB del volante al ordenador y terminar la instalación.

3. Una vez completada la instalación, haz clic en Terminar y reinicia el ordenador.

4. Selecciona Inicio / Todos los programas / Thrustmaster / FFB Racing Wheel / Panel de control para abrir la ventana Dispositivos de juego.

La ventana Dispositivos de juego muestra el nombre del volante de carreras T150 Racing Wheel con el estado OK.

5. Haz clic en Propiedades para configurar el volante en el panel de control del T150:

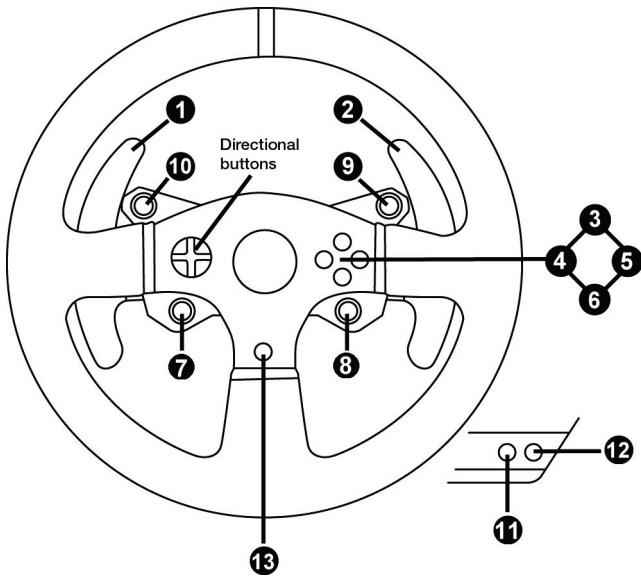
- Pestaña Test Input: permite probar y ver los botones de acción, botones de dirección, ejes del volante y los pedales, y ajustar el ángulo de rotación del volante en los juegos de PC.
- Pestaña Test Forces: permite probar los 12 efectos Force Feedback.
- Pestaña Gain Settings: permite ajustar la potencia de los efectos Force Feedback en los juegos de PC.

¡Ya estás preparado para jugar!

Notas generales:

- En PC, haz clic en Aceptar para cerrar la ventana Dispositivos de juego antes de ejecutar el juego.
- En PC, los ajustes realizados en la ventana Dispositivos de juego sólo se guardarán en el ordenador (por lo tanto no tendrán efecto en PlayStation®3 ni en PlayStation®4).
- La versión del firmware del volante se muestra en la esquina superior derecha de las pestañas del panel de control del T150.

ASIGNACIÓN EN PC



CALIBRACIÓN AUTOMÁTICA DEL VOLANTE Y DE LOS PEDALES

El volante de carreras se calibra solo automáticamente cuando enchufas el volante de carreras a la red eléctrica y conectas el conector USB del volante de carreras al sistema PlayStation®3 o PlayStation®4.

Durante esta fase, el volante de carreras girará rápidamente hacia la izquierda y la derecha, cubriendo un ángulo de 1080 grados, antes de detenerse en el centro.



ADVERTENCIA:

**¡No toques nunca el volante de carreras durante la fase de autocalibración!
(Esto podría provocar una calibración incorrecta o lesiones personales).**

CALIBRACIÓN AUTOMÁTICA DE LOS PEDALES

No conectes nunca los pedales a la base del volante (ni los desconectes de la base) cuando esté conectada al sistema o durante el juego (esto podría provocar una calibración incorrecta).

Conecta siempre los pedales antes de conectar el volante de carreras al sistema.

Una vez que se ha realizado la calibración del volante de carreras y el juego se ha ejecutado, los pedales se calibran automáticamente tras presionarlos unas cuantas veces.



ADVERTENCIA:

**No pises nunca los pedales durante la fase de autocalibración del volante de carreras ni mientras se está cargando un juego!
(Esto podría provocar una calibración incorrecta).**

Si el volante de carreras y los pedales no funcionan correctamente o la calibración parece incorrecta:

Apaga el sistema, desconecta por completo el volante de carreras, vuelve a conectar todos los cables (utilizando el cable de fuente de alimentación y los pedales) y reinicia el sistema y el juego.

BOTÓN MODE Y LUZ INDICADORA (6)

Botón MODE de los pedales

Con el T150 se incluyen 2 pedales.

Al utilizar estos pedales, asegúrate de que la luz indicadora permanezca en rojo o el pedal del acelerador no funcionará correctamente.

El T150 también es compatible con los pedales de Thrustmaster que incluyan 3 pedales (*vendidos por separado*) que te permitirán intercambiar electrónicamente los pedales del acelerador y el embrague.

Para ello, simplemente pulsa el botón MODE (6) durante 2 segundos.

La memoria interna del volante de carreras almacena si los pedales se han intercambiado o no.

| PEDALES DEL ACCELERADOR Y EL EMBRAGUE | Color de la luz indicadora MODE (6) |
|---------------------------------------|-------------------------------------|
| NORMAL | ROJO |
| INTERCAMBIADOS | VERDE |

Otros consejos para el botón MODE

Para obtener más información sobre el botón MODE y la luz indicadora, visita <http://ts.thrustmaster.com>. En la sección **Updates and Downloads**, haz clic en **PlayStation® / Wheels / T150** y, a continuación, selecciona **Manual/Help file**.

ARCHIVOS DE AYUDA Y FAQ (NO INCLUIDOS EN ESTE MANUAL)

Visita <http://ts.thrustmaster.com> y en la sección **Updates and Downloads** haz clic en **PlayStation® / Wheels / T150**. A continuación, selecciona **Manual/Help file**.

INFORMACIÓN DE GARANTÍA AL CONSUMIDOR

En todo el mundo, Guillemot Corporation S.A., cuyo domicilio legal se encuentra en Place du Granier, B.P. 97143, 35571 Chantepie, Francia (en lo sucesivo "Guillemot") garantiza al consumidor que este producto de Thrustmaster estará libre de defectos de materiales y mano de obra, durante un período de garantía que corresponde al límite de tiempo para interponer una acción legal referida a la conformidad en relación con este producto. En los países de la Unión Europea, esto corresponde a un período de dos (2) años a partir de la entrega del producto de Thrustmaster. En otros países, el período de garantía corresponde al límite de tiempo para interponer una acción legal referida a la conformidad en relación con este producto de Thrustmaster según las leyes aplicables del país en el que el consumidor estuviese domiciliado en la fecha de compra del producto de Thrustmaster (si no existiese una acción similar en el país correspondiente, entonces el período de garantía será de un (1) año a partir de la fecha de compra original del producto de Thrustmaster).

A pesar de lo anterior, las baterías recargables están cubiertas por un período de garantía de seis (6) meses a partir de la fecha de compra original.

Si el producto resultase defectuoso durante el período de garantía, hay que ponerse en contacto inmediatamente con el Soporte Técnico, que indicará el procedimiento a seguir. Si se confirma el defecto, el producto debe devolverse a su lugar de compra (o a cualquier otra ubicación indicada por el Soporte Técnico).

Dentro del contexto de esta garantía, el producto defectuoso del consumidor será sustituido o restaurado su funcionamiento correcto. Si, durante el período de garantía, el producto de Thrustmaster fuese sometido a dicho reacondicionamiento, cualquier período de cómo mínimo siete (7) días durante el que el producto no se pueda usar se añadirá al período de garantía restante (este período va desde la fecha de petición de intervención del consumidor o desde la fecha en la que el producto se entrega para el reacondicionamiento, si la fecha en la que el producto se entrega para el reacondicionamiento fuese posterior a la fecha de la petición de intervención). Si la ley aplicable lo permite, toda la responsabilidad de Guillemot y sus filiales (incluso por daños resultantes) se limita a la restauración del funcionamiento correcto o la sustitución del producto de Thrustmaster. Si la ley aplicable lo permite, Guillemot renuncia a todas las garantías de comerciabilidad o adecuación para un propósito determinado.

Esta garantía no se aplicará: (1) si el producto ha sido modificado, abierto, alterado o ha sufrido daños como resultado de un uso inapropiado o abuso, negligencia, accidente, desgaste normal, o cualquier otra causa no relacionada con un defecto de materiales o fabricación (incluyendo, pero no de forma exclusiva, la combinación del producto de Thrustmaster con cualquier elemento no adecuado, incluyendo en particular fuentes de alimentación, baterías recargables, cargadores o cualquier otro elemento no suministrado por Guillemot para este producto); (2) en caso de incumplimiento de las instrucciones proporcionadas por el Soporte Técnico; (3) a software, es decir software sujeto a una garantía específica; (2) en caso de incumplimiento de las instrucciones proporcionadas por el Soporte Técnico; (3) a software, es decir software sujeto a una garantía específica; (4) a consumibles (elementos que se tienen que reemplazar a lo largo de la vida del producto: por ejemplo, baterías desechables o almohadillas para auriculares de audio); (5) a accesorios (por ejemplo, cables, cajas, bolsas, bolsos o muñequeras); (6) si el producto se ha vendido en una subasta pública. (6) si el producto se ha vendido en una subasta pública.

Esta garantía no es transferible.

Los derechos legales del consumidor en relación con las leyes aplicables a la venta de productos de consumo de su país no se ven afectados por esta garantía.

ENGLISH

FRANÇAIS

DEUTSCH

NETERLANDS

ITALIANO

ESPAÑOL

PORTUGUÊS

РУССКИЙ

EAHHNIKA

TÜRKÇE

POLSKI

Provisiones de garantía adicionales

Durante el período de garantía, Guillemot no proporcionará, en principio, ninguna pieza de repuesto, ya que el Soporte Técnico es el único autorizado para abrir y/o reacondicionar los productos de Thrustmaster (con la excepción de los procedimientos de reacondicionamiento que el Soporte técnico puede solicitar que lleve a cabo el consumidor, mediante instrucciones por escrito – por ejemplo, debido a la simplicidad y la falta de confidencialidad del proceso de reacondicionamiento – y suministrando al consumidor las piezas de repuesto necesarias, si hiciere falta).

Debido a sus ciclos de innovación y para proteger su know-how y secretos comerciales, Guillemot no proporcionará, en principio, ninguna pieza de repuesto ni instrucciones de reacondicionamiento para los productos de Thrustmaster cuyo período de garantía haya vencido.

En los Estados Unidos de América y en Canadá, esta garantía está limitada al mecanismo interno del producto y al alojamiento externo. En ningún caso, Guillemot ni sus filiales serán responsables ante terceros por daños resultantes o fortuitos resultado del incumplimiento de cualquier garantía expresa o implícita. En algunos estados o provincias no se permite la limitación de la duración de una garantía implícita ni la exclusión o limitación de responsabilidad por daños resultantes o fortuitos, por lo que las limitaciones o exclusiones anteriores pueden no ser aplicables. Esta garantía ofrece derechos legales específicos al consumidor, que también puede tener otros derechos que pueden variar de un estado a otro o de una provincia a otra.

Responsabilidad

Si la ley aplicable lo permite, Guillemot Corporation S.A. (en lo sucesivo "Guillemot") y sus filiales renuncian a toda responsabilidad por los daños causados por uno o más de los siguientes motivos: (1) el producto ha sido modificado, abierto o alterado; (2) incumplimiento de las instrucciones de montaje; (3) uso inapropiado o abuso, negligencia, accidente (un impacto, por ejemplo); (4) desgaste normal. Si la ley aplicable lo permite, Guillemot y sus filiales renuncian a toda responsabilidad por los daños no relacionados con defectos de materiales o fabricación en relación con el producto (incluyendo, pero no de forma exclusiva, los daños causados de forma directa o indirecta por cualquier software, o por combinar el producto de Thrustmaster con cualquier elemento no adecuado, incluyendo en particular fuentes de alimentación, baterías recargables, cargadores o cualquier otro elemento no suministrado por Guillemot para este producto).

THRUSTMASTER®

SOPORTE TÉCNICO

<http://ts.thrustmaster.com>



COPYRIGHT

© 2015 Guillemot Corporation S.A. Todos los derechos reservados. Thrustmaster® es una marca comercial registrada de Guillemot Corporation S.A.

Licenciado para la venta en Europa, África, Oriente Medio, Rusia, India y Oceanía. Para usar exclusivamente con PlayStation®3 y PlayStation®4.

"PS", "PlayStation", "PS3" y "ΔOXO" son marcas comerciales registradas de Sony Computer Entertainment Inc. "PS4" es una marca comercial de la misma compañía. Todos los derechos reservados.

Todas las demás marcas comerciales son propiedad de sus respectivos dueños. Ilustraciones no vinculantes. Los contenidos, diseños y especificaciones están sujetos a cambios sin previo aviso y pueden variar de un país a otro. Fabricado en China.

Tecnología TouchSense® con licencia de Immersion Software Ireland Limited. Protegido por una o más de las patentes de Estados Unidos disponibles en la siguiente dirección: www.immersion.com/patent-marking.html, y otras patentes pendientes.

Fabricado y distribuido por Guillemot Corporation S.A.

RECOMENDACIÓN DE PROTECCIÓN AMBIENTAL



* En la Unión Europea: Al terminar su vida útil, este producto no debe tirarse en un contenedor de basuras estándar, sino que debe dejarse en un punto de recogida de desechos eléctricos y equipamiento electrónico para ser reciclado. Esto viene confirmado por el símbolo que se encuentra en el producto, manual del usuario o embalaje.

Dependiendo de sus características, los materiales pueden reciclarse. Mediante el reciclaje y otras formas de procesamiento de los desechos eléctricos y el equipamiento electrónico puedes contribuir de forma significativa a ayudar a proteger el medio ambiente.

Contacta con las autoridades locales para más información sobre el punto de recogida más cercano. Para los demás países: cumpla las leyes locales sobre reciclaje de equipos eléctricos y electrónicos.

Esta información debe conservarse. Los colores y motivos decorativos pueden variar. Los adhesivos y los cierres de plástico se deben quitar del producto antes de utilizarlo.

www.thrustmaster.com

**Aplicable únicamente a la UE y Turquía*


immersion.

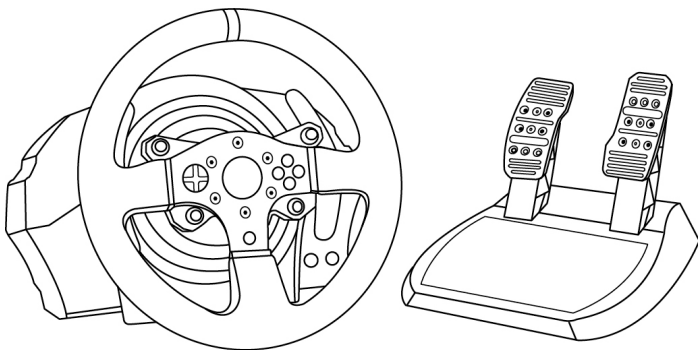




T150

FORCE FEEDBACK

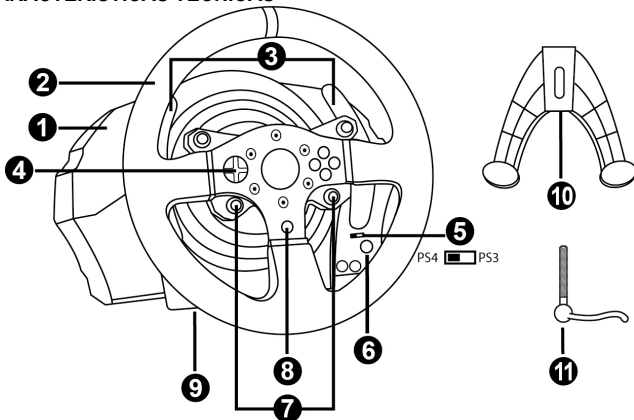
Manual do Utilizador



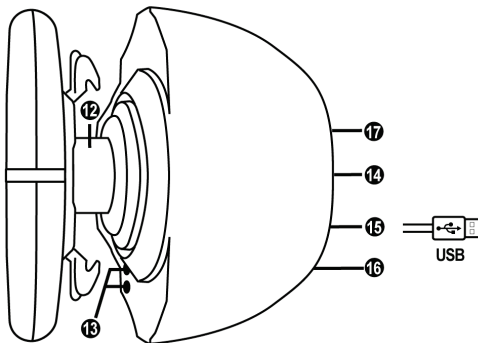
ATENÇÃO:

Para garantir que o seu volante T150 funciona corretamente com jogos, poderá ser-lhe pedido para instalar as atualizações automáticas dos jogos (disponível quando o sistema está ligado à Internet).

CARACTERÍSTICAS TÉCNICAS



- | | |
|-----------------------------------------------------------|------------------------------------------------------------------------|
| 1 Base do T150 | 7 Botões SELECT/START na PS3™ e SHARE/OPTIONS na PS4™ |
| 2 Volante | 8 Botão PS |
| 3 2 pás de mudança de velocidades sequenciais (Up e Down) | 9 Furo roscado grande (para o sistema de fixação e parafuso de aperto) |
| 4 D-Pad multidirecional | 10 Sistema de fixação |
| 5 Seletor deslizante integrado USB para a PS4™/PS3™ | 11 Parafuso de aperto de metal |
| 6 Botão MODE + luz indicadora vermelha/verde | |



- | | |
|------------------------------------------------------------------------------------------|----------------------------------------------------------------------------|
| 12 Eixo de direção | 15 Cabo e conector USB do volante |
| 13 Botões L3/R3 | 16 Conector da caixa de velocidades (caixa de velocidades vendida à parte) |
| 14 Cabo de alimentação ou Conector de alimentação (tipo A ou B) (varia consoante o país) | 17 Conector do conjunto de pedais |

LIGAR O VOLANTE A UMA TOMADA ELÉTRICA: LEIA ANTES DE CONTINUAR!

A fonte de alimentação do volante varia de acordo com o país onde adquiriu o seu dispositivo.

Apenas versões europeias

Importante: a versão europeia do T150 está equipada com uma fonte de alimentação interna, situada diretamente no interior da base do volante.

**A versão europeia deve ser alimentada exclusivamente com corrente de 220 V!
Nunca abra a base do volante – perigo de choque!**



**Power Supply
220~240V 50Hz 0.8A**

- Basta ligar o conector de alimentação do volante a uma tomada elétrica de 220 V.

Outras versões (não europeias)

Nota: ao contrário da versão europeia, o T150 não europeu possui uma fonte de alimentação externa; é fornecido um dispositivo específico com o volante.

- Ligue o transformador externo ao conector relevante na parte posterior do volante e em seguida a uma tomada elétrica padrão de tensão idêntica.

AVISOS

Antes de utilizar este produto, leia atentamente este manual e guarde-o para posterior consulta.



Atenção – Choque elétrico

- * Guarde o produto num local seco e não o exponha ao pó nem à luz do sol.
- * Não torça nem puxe os conectores e os cabos.
- * Não derrame líquidos sobre o produto ou os respetivos conectores.
- * Não provoque um curto-circuito no produto.
- * Nunca desmonte o produto, não o atire para o fogo nem o exponha a temperaturas elevadas.
- * Não utilize um cabo de alimentação diferente do fornecido com o volante.
- * Não utilize o cabo de alimentação se o cabo ou os conectores estiverem danificados, fendidos ou partidos.
- * Certifique-se de que o cabo de alimentação está corretamente ligado a uma tomada elétrica, assim como ao conector situado na parte posterior da base do volante.
- * Não abra o volante: não contém peças utilizáveis pelo utilizador no interior. Todas as reparações devem ser realizadas pelo fabricante, pelo seu representante autorizado ou por um técnico qualificado.
- * Utilize apenas sistemas de fixação/acessórios especificados pelo fabricante.
- * Se o volante estiver a funcionar de forma anormal (se emite quaisquer sons, calor ou cheiros anormais), pare imediatamente de utilizá-lo, desligue o cabo de alimentação da tomada e desligue os outros cabos.
- * Se não utilizar o volante durante um longo período de tempo, desligue o respetivo cabo de alimentação da tomada elétrica.



Aberturas de ventilação

Certifique-se de que não tapa as aberturas de ventilação na base do volante. Para uma ventilação ideal, certifique-se do seguinte:

- * Posicione a base do volante a pelo menos 10 cm de distância de quaisquer paredes.
- * Não coloque a base em espaços apertados.
- * Não tape a base.
- * Não deixe que pó se acumule nas aberturas de ventilação.



**Por razões de segurança, nunca utilize o conjunto de pedais com os pés descalços ou apenas com meias calçadas nos pés.
A THRUSTMASTER® NÃO ASSUME QUALQUER RESPONSABILIDADE NA
EVENTUALIDADE DE DANOS FÍSICOS RESULTANTES DA UTILIZAÇÃO DO
CONJUNTO DE PEDAIS SEM CALÇADO.**



Atenção – Ferimentos resultantes dos efeitos Force Feedback e dos movimentos repetidos

Jogar com um volante Force Feedback poderá causar dores musculares ou articulares. Para evitar quaisquer problemas:

- * Evite jogar durante longos períodos de tempo.
- * Faça um intervalo de 10 a 15 minutos após cada hora de jogo.
- * Se sentir cansaço ou dores nas mãos, pulsos, braços, pés ou pernas, pare de jogar e descanse durante algumas horas antes de recomeçar a jogar.



Atenção – Ferimentos resultantes dos efeitos Force Feedback e dos movimentos repetidos (continuação)

- * Se os sintomas ou as dores acima indicados persistirem quando recomeçar a jogar, pare de jogar e consulte o seu médico.
- * Guarde o volante fora do alcance das crianças.
- * Durante o jogo, mantenha sempre ambas as mãos posicionadas corretamente no volante sem largá-lo por completo.
- * Durante o jogo, nunca coloque as mãos ou os dedos por baixo dos pedais ou perto do conjunto de pedais.
- * Durante a calibração e o jogo, nunca coloque a mão ou o braço através das aberturas existentes no volante.
- * Certifique-se de que a base do volante está devidamente fixada, de acordo com as instruções do manual.

PRODUTO PESADO



Produto para ser manuseado apenas por utilizadores com 14 anos de idade ou mais



Tenha cuidado para não deixar cair o produto em cima de si ou de outra pessoa!

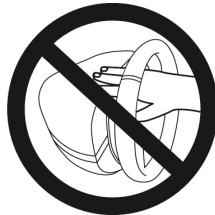
SEMPRE



NUNCA



NUNCA





Atenção – Perigo de entalamento no conjunto de pedais ao jogar

- * Guarde o conjunto de pedais fora do alcance das crianças.
- * Quando jogar, nunca coloque os dedos nos lados dos pedais nem perto dos mesmos.
- * Quando jogar, nunca coloque os dedos na base posterior dos pedais nem perto da mesma.
- * Quando jogar, nunca coloque os dedos na base frontal dos pedais nem perto da mesma.

NUNCA



NUNCA



NUNCA



Atenção – Perigo de entalamento no conjunto de pedais em inatividade

- * Guarde o conjunto de pedais num local seguro e fora do alcance das crianças.

ATUALIZAR O FIRMWARE DO VOLANTE

O firmware incluído na base do volante pode ser atualizado para uma versão mais recente que inclua melhoramentos do produto.

Para visualizar a versão do firmware que o volante utiliza atualmente e atualizá-la, se necessário: no PC, acesse a <http://ts.thrustmaster.com>. Na secção **Updates and Downloads**, clique em **PlayStation® / Wheels / T150**, em seguida selecione **Driver/Firmware** e siga as instruções que descrevem o procedimento de transferência e instalação.

Observação importante:

No PC, o interruptor USB(5) na base do volante deve sempre permanecer na posição PS3™.

AJUSTAR A INCLINAÇÃO DOS PEDAIS

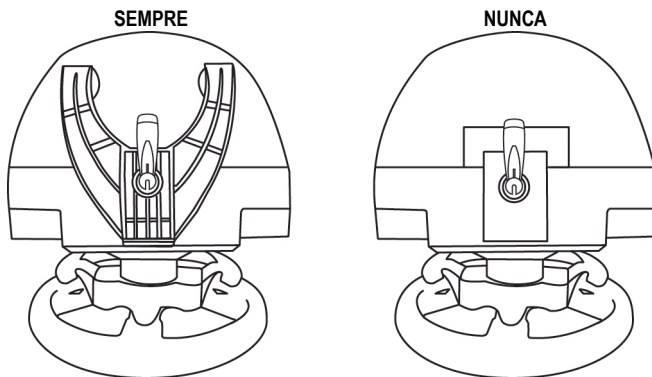
A inclinação dos pedais é ajustável.

As instruções de ajuste para cada pedal estão disponíveis em <http://ts.thrustmaster.com>. Na secção **Updates and Downloads**, clique em **PlayStation® / Wheels / T150** e selecione **Manual/Help file**.

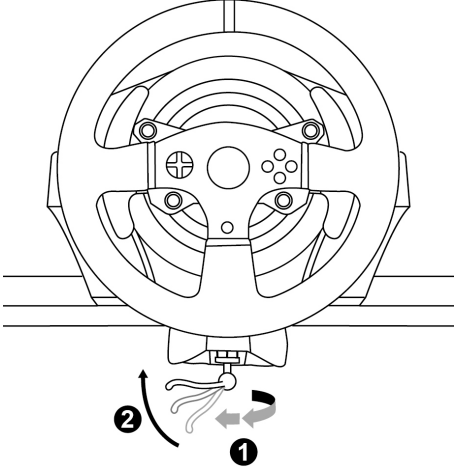
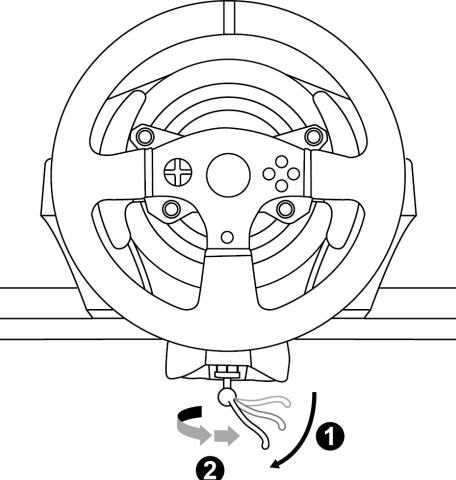
FIXAR O VOLANTE

Fixar o volante a uma mesa ou secretária

1. Coloque o volante sobre uma mesa ou de qualquer outra superfície horizontal, plana e estável.
2. Insira o parafuso de aperto (11) no sistema de fixação (10), em seguida aperte o dispositivo rodando o parafuso no sentido anti-horário, de forma que penetre no furo roscado grande (9) situado por baixo do volante, até o volante estar perfeitamente estável.



ATENÇÃO: Nunca aperte apenas o parafuso, sem o sistema de fixação instalado!
(Se o fizer, poderá danificar o volante.)

| FIXAÇÃO / REMOÇÃO | DIREÇÃO |
|--------------------------------------------------------------------------------------------|------------------------------------------------------------------------------------|
| <p>Para apertar:</p> <p><i>Rode o parafuso no sentido anti- horário</i></p> |  |
| <p>Para soltar:</p> <p><i>Rode o parafuso no sentido horário</i></p> |  |

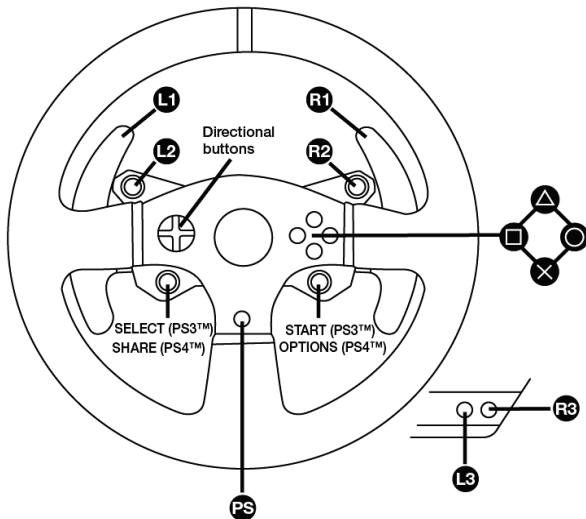
Fixar o conjunto de pedais a um cockpit

1. Fixe o conjunto de pedais com as roscas de parafuso pequenas situadas na parte inferior.
2. Insira dois parafusos M6 (não incluídos) na prateleira do cockpit e em seguida enrosque-os nas duas roscas de parafuso pequenas situadas na parte inferior do conjunto de pedais.

Importante: O comprimento dos dois parafusos M6 não deve exceder a espessura da prateleira + 10 mm; os parafusos mais compridos poderão causar danos nos componentes internos situados no conjunto de pedais.

Estão disponíveis **esquemas de disposição para cockpits** (para posicionar a base do volante e/ou o conjunto de pedais) em <http://ts.thrustmaster.com>; na secção **Updates and Downloads**, clique em **PlayStation®/Wheels/T150** e em seguida seleccione **Manual/Help file**.

MAPEAR A PLAYSTATION®3 E PLAYSTATION®4



CONFIGURAR O VOLANTE PARA A PLAYSTATION®3 OU PLAYSTATION®4

1. Ligue o conjunto de pedais ao conector (17) situado na parte posterior da base do volante.
2. Ligue o cabo de alimentação ao conector (14) situado na parte posterior da base do volante.
3. Ligue o cabo de alimentação a uma tomada elétrica com as mesmas especificações de tensão.



Para mais informações a este respeito, consulte a secção LIGAR O VOLANTE A UMA TOMADA ELÉTRICA, na página 3 deste manual.

4. Ajuste o interruptor do seletor USB (5) na base do volante para a posição PS3™ ou PS4™, consoante o sistema ou o jogo que está a utilizar.
5. Ligue o conector USB do volante (15) a uma das portas USB do sistema.
6. Quando o sistema for ligado, o volante irá calibrar-se automaticamente.
7. Na PlayStation®4 (quando o interruptor do seletor USB está ajustado para a posição PS4™): prima o botão PS (8) do volante e inicie sessão na sua conta Sony Entertainment Network, para poder utilizar o volante.

Está pronto para começar a jogar!

Notas importantes:

- O interruptor do seletor USB (5) na base do volante deve ser sempre ajustado para a posição correta (PS3™ ou PS4™) antes de ligar o cabo USB do volante ao sistema. Para mudar a posição do interruptor do seletor, desligue o cabo USB do sistema e em seguida mude a posição do interruptor antes de voltar a ligar o cabo USB ao sistema.
- Na PlayStation®3, o interruptor do seletor USB (5) deve estar sempre ajustado para a posição PS3™:
 - * O volante é reconhecido na maioria dos jogos como um volante T500 RS.
 - * O volante está funcional em jogos compatíveis e nos menus do sistema.
 - * A função “PS” está funcional no volante.
- Na PlayStation®4, com o interruptor do seletor USB (5) na posição PS3™:
 - * O volante é reconhecido na maioria dos jogos como um volante T500 RS.
 - * O volante está funcional em jogos compatíveis, mas não nos menus do sistema.
 - * As funções “SHARE” e “PS” não estão funcionais no volante.
- Na PlayStation®4, com o interruptor do seletor USB (5) na posição PS4™:
 - * Não se esqueça de premir o botão PS (8) do volante para poder utilizá-lo.
 - * O volante é reconhecido na maioria dos jogos como um volante T300 RS ou T150.
 - * O volante está funcional em jogos compatíveis e nos menus do sistema.
 - * As funções “SHARE” e “PS” estão funcionais no volante.
- A lista de jogos para a PlayStation®3 e PlayStation®4 compatíveis com o T150 (juntamente com a posição necessária do interruptor do seletor USB (5) de acordo com o jogo utilizado) está disponível em:

<http://ts.thrustmaster.com> (na secção Updates and Downloads, clique em PlayStation® / Wheels / T150).

Esta lista é atualizada regularmente.

CONFIGURAR O VOLANTE PARA O PC*

* A compatibilidade com o PC não é testada e homologada pela Sony Computer Entertainment Europe.

Observação importante:

No PC, o interruptor USB(5) na base do volante deve sempre permanecer na posição PS3™.

1. Acesse <http://ts.thrustmaster.com> para baixar os drivers e software Force Feedback para PC. Na seção Updates and Downloads, clique em PC / Wheels / T150 e selecione Drivers.
2. Quando o download for concluído, inicie a instalação e siga as instruções na tela para conectar o volante ao computador via USB e completar a instalação.
3. Quando a instalação for concluída, clique em Finalizar e reinicie o computador.
4. Selecione Iniciar / Todos os Programas / Thrustmaster / FFB Racing Wheel / Painel de Controle para abrir a janela Controladores de Jogo

A janela Controladores de Jogo exibe o nome T150 Racing Wheel e o status OK.

5. Clique em Propriedades para configurar o volante no painel de controle do T150.

- Aba Test Input: permite testar e visualizar os botões de ação, os botões direcionais, os eixos do volante e dos pedais e ajustar o ângulo de rotação do volante em jogos para PC.
- Aba Test Forces: permite testar os 12 efeitos de force feedback.
- Aba Gain Settings: permite ajustar a força dos efeitos force feedback nos jogos para PC.

Você está pronto para jogar!

Observações gerais:

- No PC, clique em OK para fechar a janela Controladores de Jogo antes de iniciar o jogo.
- No PC, os ajustes feitos na janela Controladores de Jogo serão salvos apenas no computador (não terão efeito no PlayStation®3 ou PlayStation®4).
- A versão do firmware do volante é exibida no canto superior direito do painel de controle do T150.

ENGLISH

FRANÇAIS

DEUTSCH

NEDERLANDS

ITALIANO

ESPAÑOL

PORTUGUÊS

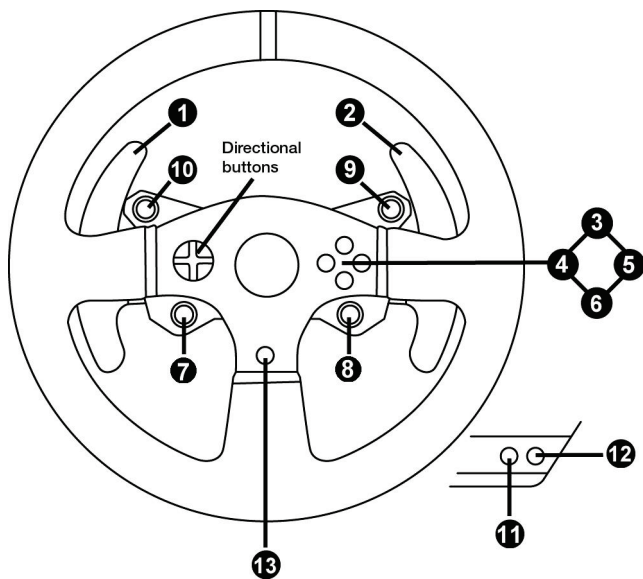
РУССКИЙ

ΕΛΛΗΝΙΚΑ

TÜRKÇE

POLSKI

MAPEAMENTO PARA PC



CALIBRAGEM AUTOMÁTICA DO VOLANTE E DO CONJUNTO DE PEDAIS

O volante calibra-se automaticamente quando liga o volante a uma tomada elétrica e o conector USB do volante ao sistema PlayStation®3 ou PlayStation®4.

Durante esta fase, o volante roda rapidamente para a esquerda e direita, cobrindo um ângulo de 1080 graus, antes de parar no centro.



ATENÇÃO:

**Nunca toque no volante durante a fase de autocalibragem!
(Isto poderá resultar numa calibragem incorreta e/ou em ferimentos pessoais.)**

CALIBRAGEM AUTOMÁTICA DO CONJUNTO DE PEDAIS

Nunca ligue o conjunto de pedais à base do volante (nem o desligue da base) quando estiver ligado ao sistema ou durante o jogo (isto poderá resultar numa calibragem incorreta).

Ligue sempre o conjunto de pedais antes de ligar o volante ao sistema.

Quando a calibragem do volante estiver concluída e o jogo tiver iniciado, os pedais são calibrados automaticamente ao fim de várias pressões.



ATENÇÃO:

**Nunca carregue nos pedais durante a fase de autocalibragem do volante ou quando um jogo estiver a ser carregado!
(Isto poderá resultar numa calibragem incorreta.)**

Se o volante e/ou o conjunto de pedais não funcionam corretamente, ou se parecem estar calibrados incorretamente:

Desligue o sistema e desligue todos os cabos do volante. Em seguida, volte a ligar todos os cabos (incluindo o cabo de alimentação e o conjunto de pedais) e reinicie o sistema e o jogo.

BOTÃO MODE E LUZ INDICADORA (6)

Botão MODE para o conjunto de pedais

O conjunto de pedais incluído com o T150 possui 2 pedais.

Quando utilizar este conjunto de pedais, certifique-se de que a luz indicadora permanece vermelha, caso contrário o pedal do acelerador não funcionará corretamente.

O T150 também é compatível com conjuntos de pedais Thrustmaster dotados de 3 pedais (*vendidos à parte*); estes permitem trocar eletronicamente os pedais do acelerador e da embraiagem.

Para tal, basta premir o botão MODE (6) durante 2 segundos.

A memória interna do volante memoriza se os pedais foram trocados ou não.

| PEDAIS DO ACCELERADOR E DA EMBRAIAGEM | Cor da luz indicadora MODE (6) |
|---------------------------------------|--------------------------------|
| NORMAL | VERMELHA |
| TROCADOS | VERDE |

Outras sugestões relativas ao botão MODE

Para saber mais sobre o botão MODE e a luz indicadora, acesse a <http://ts.thrustmaster.com>. Na secção **Updates and Downloads**, clique em **PlayStation® / Wheels / T150** e em seguida selecione **Manual/Help file**.

FICHEIROS DE AJUDA E FAQ (NÃO INCLUIDOS NESTE MANUAL)

Acesse a <http://ts.thrustmaster.com> e, na secção **Updates and Downloads**, clique em **PlayStation® / Wheels / T150** e selecione **Manual/Help file**.

INFORMAÇÕES SOBRE A GARANTIA PARA O CONSUMIDOR

A Guillemot Corporation S.A., com sede social sita em Place du Granier, B.P. 97143, 35571 Chantepie, França (a seguir designada como “Guillemot”) garante a nível mundial ao consumidor que este produto Thrustmaster está livre de defeitos em termos de materiais e fabrico durante um período de garantia que corresponde ao limite de tempo para intentar uma ação de conformidade relativamente a este produto. Nos países da União Europeia, isto corresponde a um período de dois (2) anos desde a entrega do produto Thrustmaster. Noutros países, o período de garantia corresponde ao limite de tempo para intentar uma ação de conformidade relativamente ao produto Thrustmaster de acordo com a legislação em vigor do país no qual o consumidor residia à data de compra do produto Thrustmaster (se a dita ação não existir no país correspondente, então o período de garantia será de um (1) ano a partir da data de compra original do produto Thrustmaster.

Não obstante o supracitado, as baterias recarregáveis estão cobertas por um período de garantia de seis (6) meses a partir da data de compra original.

No caso de o produto apresentar algum defeito durante o período da garantia, contacte imediatamente o Suporte Técnico, que lhe indicará o procedimento a tomar. Se esse defeito se confirmar, o produto terá de ser devolvido ao respetivo local de compra (ou qualquer outro local indicado pelo Suporte Técnico).

No âmbito da presente garantia, e por opção do Suporte Técnico, o produto defeituoso do consumidor será substituído ou reparado. Se, durante o período da garantia, o produto Thrustmaster for submetido à dita reparação, qualquer período mínimo de (7) dias durante o qual o produto estiver fora de serviço será adicionado ao período da garantia restante (este período decorre desde a data do pedido intervenção pelo consumidor ou desde a data em que o produto em questão é disponibilizado para reparação, se a data em que o produto é disponibilizado para reparação for posterior à data do pedido de intervenção). Se for permitido pela legislação em vigor, a responsabilidade total da Guillemot e das respetivas filiais (incluindo para danos indiretos) está limitada à reparação ou à substituição do produto Thrustmaster. Se for permitido pela legislação em vigor, a Guillemot rejeita todas as garantias de comercialização ou adequação a um fim específico.

A presente garantia não se aplicará: (1) se o produto tiver sido modificado, aberto, alterado ou danificado em resultado de utilização inadequada ou abusiva, negligência, acidente, desgaste normal ou qualquer outra causa relacionada com um defeito de material ou fabrico (incluindo, mas sem limitação, combinar o produto Thrustmaster com qualquer elemento inadequado, incluindo, em particular, fontes de alimentação, baterias recarregáveis, carregadores ou quaisquer outros elementos não fornecidos pela Guillemot para este produto); (2) na eventualidade de incumprimento das instruções fornecidas pelo Suporte Técnico; (3) a software, estando o mesmo sujeito a uma garantia específica; (4) a consumíveis (elementos para substituir ao longo da vida útil do produto, como baterias descartáveis e auriculares de auscultadores, por exemplo); (5) a acessórios (cabos, estojos, bolsas, sacos e correias de pulso, por exemplo); (6) se o produto foi vendido num leilão público.

A presente garantia não é transmissível.

Os direitos legais do consumidor no que concerne à legislação aplicável à venda de bens de consumo no seu país não são afetados pela presente garantia.

Disposições de garantia adicionais

Durante o período da garantia, a Guillemot não fornecerá, em princípio, quaisquer peças de substituição, uma vez que o Suporte Técnico é a única parte autorizada a abrir e/ou reparar qualquer produto Thrustmaster (à exceção de quaisquer procedimentos de reparação que o Suporte Técnico possa pedir ao consumidor para realizar, através de instruções por escrito – por exemplo, devido à simplicidade e à falta de confidencialidade do processo de reparação – e fornecendo ao consumidor a(s) peça(s) de substituição necessária(s), quando aplicável).

Tendo em conta os seus ciclos de inovação, e a fim de proteger o seu know-how e segredos comerciais, a Guillemot não fornecerá, em princípio, qualquer notificação de reparação ou peças de substituição para produtos Thrustmaster cujo período da garantia tenha expirado.

Nos Estados Unidos da América e no Canadá, a presente garantia está limitada ao mecanismo interno e à caixa do produto. Em nenhuma circunstância serão a Guillemot ou as respetivas filiais consideradas responsáveis perante terceiros por quaisquer danos indiretos ou acidentais resultantes da violação de quaisquer garantias expressas ou implícitas. Alguns estados/províncias não permitem a limitação da duração de uma garantia implícita ou a exclusão ou limitação de responsabilidade por danos indiretos ou acidentais, pelo que as limitações ou exclusões supracitadas podem não se aplicar a si. A presente garantia concede-lhe direitos legais específicos, podendo ter também outros direitos, que variam consoante o estado ou a província.

Responsabilidade

Se for permitido pela legislação em vigor, a Guillemot Corporation S.A. (a seguir designada como "Guillemot") e as respetivas filiais rejeitam qualquer responsabilidade por quaisquer danos resultantes de uma ou mais das seguintes causas: (1) o produto foi modificado, aberto ou alterado; (2) incumprimento das instruções de montagem; (3) utilização imprópria ou abusiva, negligência ou acidente (um impacto, por exemplo); (4) desgaste normal. Se for permitido ao abrigo da legislação aplicável, a Guillemot e as respetivas filiais rejeitam qualquer responsabilidade por danos relacionados com um defeito de material ou fabrico relativamente ao produto (incluindo, mas sem limitação, quaisquer danos causados direta ou indiretamente por qualquer software ou por combinar o produto Thrustmaster com qualquer elemento inadequado, incluindo, em particular, fontes de alimentação, baterias recarregáveis, carregadores ou quaisquer outros elementos não fornecidos pela Guillemot para este produto).

THRUSTMASTER®

SUPOORTE TÉCNICO

<http://ts.thrustmaster.com>



DIREITOS DE AUTOR

© 2015 Guillemot Corporation S.A. Todos os direitos reservados. Thrustmaster® é uma marca registada da Guillemot Corporation S.A.

Licenciado para venda na Europa, África, Médio Oriente, Rússia, Índia e Oceânia. Para utilização exclusiva com a PlayStation®3 e PlayStation®4.

“PS”, “PlayStation”, “PS3” e “ΔΟΧΩ” são marcas registadas da Sony Computer Entertainment Inc. “PS4” é uma marca comercial da mesma empresa. Todos os direitos reservados.

Todas as outras marcas comerciais pertencem aos respetivos proprietários. As ilustrações não são vinculativas. Os conteúdos, os desenhos e as especificações estão sujeitos a alteração sem aviso prévio e podem variar consoante o país. Fabricado na China.

Tecnologia TouchSense® licenciada pela Immersion Software Ireland Limited. Protegida por uma ou mais patentes norte-americanas disponíveis no seguinte endereço: www.immersion.com/patent-marking.html, bem como por outras patentes em processo de aprovação.

Fabricado e distribuído pela Guillemot Corporation S.A.

RECOMENDAÇÕES DE PROTEÇÃO AMBIENTAL



Na União Europeia: Quando este produto chegar ao fim da sua vida útil, não o elimine juntamente com os resíduos domésticos normais; em vez disso, deixe-o num ponto de recolha de resíduos de equipamento eléctrico e electrónico (REEE) para posterior reciclagem.

O símbolo presente no produto, no manual de utilizador ou na caixa confirma-o.

Os materiais podem ser reciclados, dependendo das suas características. Através da reciclagem e de outras formas de processamento de resíduos de equipamento eléctrico e electrónico, pode dar um importante contributo no sentido de ajudar a proteger o ambiente.

Contacte as autoridades locais para saber onde fica o ponto de recolha mais perto da sua área de residência.

Relativamente a todos os outros países: Respeite a legislação local sobre a reciclagem de equipamento eléctrico e electrónico.

Informações a reter. As cores e as decorações podem variar.

Os fechos e os adesivos devem ser removidos do produto antes da utilização.

www.thrustmaster.com

*Aplicável apenas à União Europeia e Turquia



immersion.

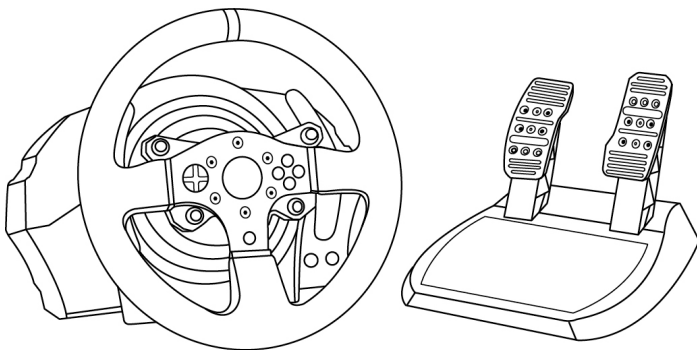




T150

FORCE FEEDBACK

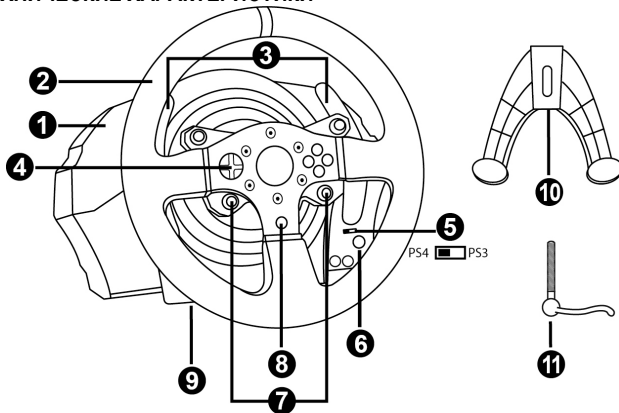
Инструкция по эксплуатации



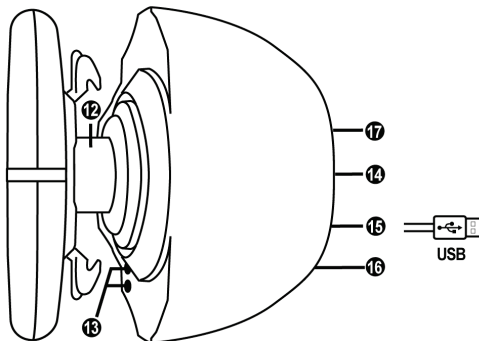
ВНИМАНИЕ!

Для обеспечения оптимальной совместимости рулевой системы T150 с играми, может потребоваться установка автоматических обновлений для игр (их можно загрузить, подключив игровую систему к Интернету).

ТЕХНИЧЕСКИЕ ХАРАКТЕРИСТИКИ



- | | |
|-----------------------------------------------------------------------------------------------------------------------------------------------------------------------------------------------------------------------------------------|------------------------------------------------------------------------------------------------------------------------------------------------------------------------------------------------------------------------------------|
| <p>1 База системы T150</p> <p>2 Руль</p> <p>3 2 лепестковых переключателя (Up и Down)</p> <p>4 Многопозиционная кнопка</p> <p>5 Встроенный переключатель USB для PS4™/PS3™</p> <p>6 Кнопка MODE (Режим) + красный/зеленый индикатор</p> | <p>7 Кнопки SELECT/START для PS3™ или SHARE/OPTIONS для PS4™</p> <p>8 Кнопка PS</p> <p>9 Резьба под большой винт (для системы крепления и крепежного винта)</p> <p>10 Система крепления</p> <p>11 Металлический крепежный винт</p> |
|-----------------------------------------------------------------------------------------------------------------------------------------------------------------------------------------------------------------------------------------|------------------------------------------------------------------------------------------------------------------------------------------------------------------------------------------------------------------------------------|



- | | |
|------------------------------------------------------------------------------------------------------------------------------------|-------------------------------------------------------------------------------------------------------------------------------------------------------------------|
| <p>12 Ось поворота руля</p> <p>13 Кнопки L3/R3</p> <p>14 Кабель питания или разъем питания (разные стандарты для разных стран)</p> | <p>15 USB-кабель и разъем рулевой системы</p> <p>16 Разъем для коробки передач (коробка передач приобретается отдельно)</p> <p>17 Разъем для педального блока</p> |
|------------------------------------------------------------------------------------------------------------------------------------|-------------------------------------------------------------------------------------------------------------------------------------------------------------------|

ПОДКЛЮЧЕНИЕ РУЛЕВОЙ СИСТЕМЫ К ЭЛЕКТРОРОЗЕТКЕ СНАЧАЛА ПРОЧИТАЙТЕ СЛЕДУЮЩЕЕ!

Тип блока питания рулевой системы зависит от страны приобретения устройства.

Только для версий для Европы

Важно! Европейская версия системы T150 оснащена встроенным сетевым адаптером, который расположен непосредственно в базе руля.

Европейская версия поддерживает питание только напряжением 220В!

Открывать базу гоночного руля нельзя — существует опасность поражения электрическим током!



Power Supply
220~240V 50Hz 0.8A

- Просто подключите шнур питания рулевой системы к сети с напряжением 220 В.

Другие версии (не европейская)

Примечание: в отличие от европейской версии, неевропейская версия системы T150 поставляется с внешним адаптером питания в виде особого устройства.

ПРЕДУПРЕЖДЕНИЯ

Перед эксплуатацией данного изделия внимательно ознакомьтесь с настоящей инструкцией и сохраните ее на будущее.



Внимание — опасность поражения электрическим током!

- * Изделие следует хранить в сухом месте, избегая попадания на него пыли и солнечного света.
- * Не допускается перекручивание разъемов и кабелей; кабели нельзя тянуть.
- * Не допускается попадание жидкости на изделие и его разъемы.
- * Не допускается короткое замыкание в цепи изделия.
- * Запрещается разбирать изделие, бросать изделие в огонь и подвергать его воздействию высоких температур.
- * Не допускается использование других кабелей питания, кроме кабеля, входящего в комплект рулевой системы.
- * Нельзя использовать кабель питания, если он или его разъемы повреждены, потрескались или сломаны.
- * Убедитесь, что кабель питания должным образом подключен к электророзетке и к разъему на задней стороне базы рулевого колеса.
- * Нельзя вскрывать систему рулевого колеса — в ней нет деталей, которые могут обслуживаться пользователем. Любой ремонт должен выполняться производителем, его авторизованным представителем или квалифицированным техническим специалистом.
- * Допускается использование только одобренных производителем систем крепления и аксессуаров.
- * В случае ненормального функционирования рулевой системы (при возникновении посторонних звуков, перегреве или запахе) следует немедленно прекратить использование системы, выключить кабель питания из розетки и отсоединить все остальные кабели.
- * Если предполагается, что рулевая система не будет использоваться продолжительное время, отключите кабель питания от розетки.



Вентиляционные отверстия

Не допускается блокирование вентиляционных отверстий на базе рулевой системы. Для обеспечения оптимальной вентиляции выполните следующие указания:

- * размещайте базу руля на расстоянии не менее 10 см от стен;
- * не размещайте базу в стесненном пространстве;
- * ничем не накрывайте базу;
- * не допускайте скопления пыли на вентиляционных отверстиях.



**Из соображений безопасности никогда не нажимайте на педали босой ногой или ногой в носке (без обуви).
КОМПАНИЯ THRUSTMASTER® ОТКАЗЫВАЕТСЯ ОТ ЛЮБОЙ
ОТВЕТСТВЕННОСТИ В СЛУЧАЕ ПОЛУЧЕНИЯ ТРАВМЫ В РЕЗУЛЬТАТЕ
НАЖИМАНИЯ НА ПЕДАЛИ НЕОБУТЫМИ НОГАМИ.**



Внимание — риск травмирования в результате повторяющихся движений и действия силовой обратной связи

Использование рулевой системы с силовой обратной связью может вызвать боль в мышцах или суставах. Советы по предотвращению проблем со здоровьем:

- * не проводите за игрой продолжительное время;
- * после каждого часа игры делайте 10-15-минутный перерыв;
- * если в кистях, запястьях, предплечьях, стопах или ногах появилась усталость или боль, прекратите игру и отдохните в течение нескольких часов, прежде чем снова приступить к игре.
- * если вышеуказанные признаки проявляются снова при возвращении к игре, прекратите игру и обратитесь к врачу;
- * держите систему вне доступа детей;
- * во время игры правильно располагайте обе руки на рулевом колесе и не позволяйте ему вращаться бесконтрольно;
- * во время игры ни в коем случае не засовывайте руки или пальцы под педали и не держите их рядом с pedalным блоком;
- * во время калибровки и игры ни в коем случае не засовывайте руки в рулевое колесо;
- * обеспечьте надежную фиксацию базы рулевого колеса в соответствии с указаниями в инструкции по эксплуатации.

ТЯЖЕЛОЕ ИЗДЕЛИЕ



Не допускается использование изделия лицами моложе 14 лет



Не роняйте изделие на себя или на других лиц!

ПРАВИЛЬНО



НЕЛЬЗЯ



НЕЛЬЗЯ





Предупреждение — возможно сжатие педального блока во время игры

- * Держите педальный блок вне доступа детей.
- * Во время игры ни в коем случае не кладите пальцы на педали и не засовывайте их с боковых сторон педального блока.
- * Во время игры ни в коем случае не засовывайте их сзади в базу педального блока.
- * Во время игры ни в коем случае не засовывайте их спереди в базу педального блока.

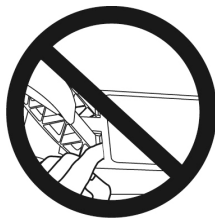
НЕЛЬЗЯ



НЕЛЬЗЯ



НЕЛЬЗЯ



Предупреждение — возможно сжатие педального блока во время простоя

- * Храните педальный блок в безопасном месте вне зоны доступа детей.

ОБНОВЛЕНИЕ ПРОШИВКИ РУЛЕВОГО КОЛЕСА

Прошивку в базе рулевого колеса можно обновить до более поздней версии, содержащей усовершенствования.

Для просмотра установленной в данный момент версии прошивки и ее обновления при необходимости откройте сайт <http://ts.thrustmaster.com>. В разделе **Updates and Downloads** выберите **PlayStation® / Wheels / T150**, затем откройте **Driver/Firmware** и выполните указания по загрузке и установке прошивки.

Важно!

При использовании ПК переключатель USB (5) на базе рулевого колеса всегда должен находиться в положении PS3™.

РЕГУЛИРОВКА УГЛА НАКЛОНА ПЕДАЛЕЙ

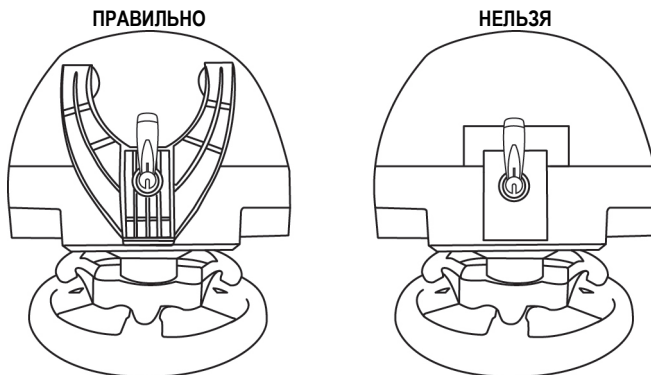
Наклон педалей можно отрегулировать.

Инструкции по регулировке каждой педали можно найти на сайте: <http://ts.thrustmaster.com>. В разделе **Updates and Downloads** выберите **PlayStation®/ Wheels / T150**, затем откройте **Manual/Help file**.

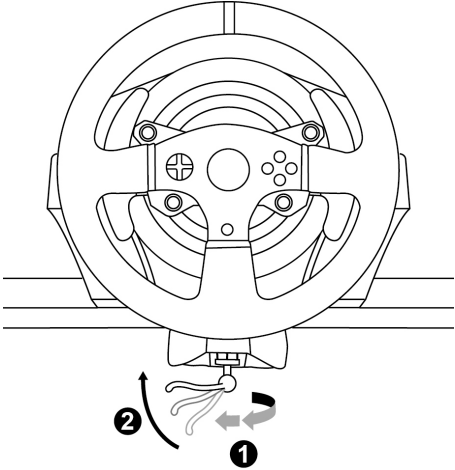
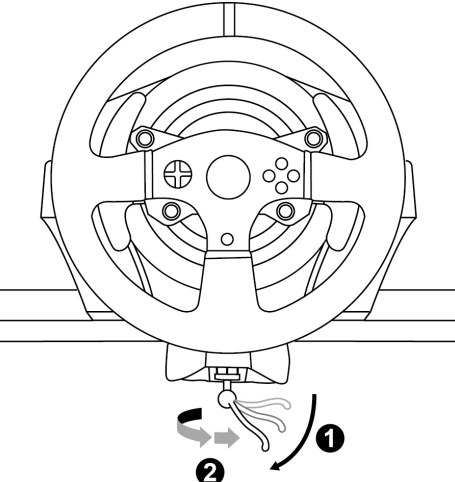
УСТАНОВКА РУЛЕВОЙ СИСТЕМЫ

Размещение рулевого колеса на столе.

1. Расположите гоночный руль на столе или иной горизонтальной плоской и устойчивой поверхности.
2. Вставьте крепежный винт (11) в систему крепления (10) и надежно зафиксируйте руль, затягивая винт против часовой стрелки, так чтобы он вошел в большое резьбовое отверстие (9), расположенное ниже руля.



ВНИМАНИЕ! Нельзя закручивать винт без системы крепления!
(В противном случае возможно повреждение рулевой системы.)

| УСТАНОВКА / ДЕМОНТАЖ | НАПРАВЛЕНИЕ |
|--------------------------------------------------------------------------------------------------|------------------------------------------------------------------------------------|
| <p><u>Фиксация</u></p> <p><i>Закручивайте винт против часовой стрелки</i></p> |  |
| <p><u>Ослабление</u></p> <p><i>Раскручивайте винт по часовой стрелке</i></p> |  |

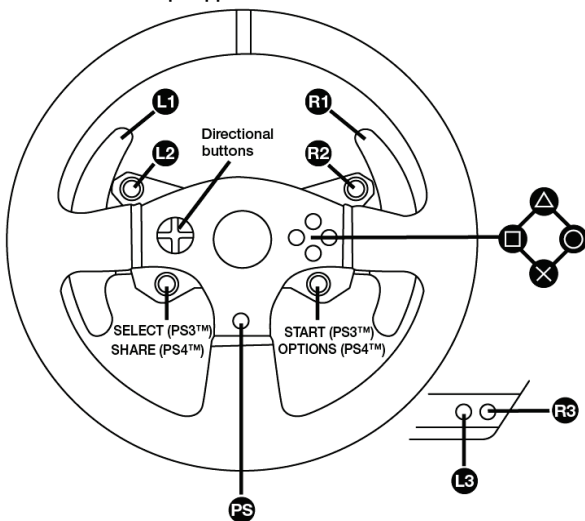
Закрепление педального блока в кокпите

1. Закрепите педальный блок с помощью небольших резьбовых отверстий на его нижней поверхности.
2. Через отверстия в щитке кокпита вставьте два винта М6 (не входят в комплект) в два небольших винтовых отверстия на нижней стороне педального блока.

Важно! Длина винтов М6 не должна превышать толщину щитка + 10 мм; более длинные винты могут вызвать повреждение внутренних деталей педального блока.

Компоновочные схемы для кокпитов (размещение базы рулевого колеса и/или педального блока) можно найти на сайте <http://ts.thrustmaster.com>: в разделе **Updates and Downloads** выберите **PlayStation® / Wheels / T150** и откройте **Manual/Help file**.

СООТНЕСЕНИЕ ФУНКЦИЙ ДЛЯ PLAYSTATION®3 И PLAYSTATION®4



НАСТРОЙКА РУЛЕВОЙ СИСТЕМЫ ДЛЯ PLAYSTATION®3 ИЛИ PLAYSTATION®4

1. Подключите педальный блок к разъему (17) на задней стороне базы рулевого колеса.
2. Подключите кабель питания к разъему (14) на задней стороне базы рулевого колеса.
3. Подключите кабель питания к электророзетке соответствующего напряжения.



Подробнее это описано в разделе «ПОДКЛЮЧЕНИЕ РУЛЕВОЙ СИСТЕМЫ К ЭЛЕКТРОРОЗЕТКЕ» на стр. 3 настоящего руководства.

4. Переверните переключатель USB-входа (5) на базе рулевого колеса в положение PS3™ или PS4™, в зависимости от используемой игровой системы или игры.
5. Подключите USB-кабель рулевой системы (15) к одному из USB-портов игровой системы.
6. После включения игровой системы автоматически выполняется калибровка рулевого колеса.
7. Для системы PlayStation®4 (когда переключатель USB-входа находится в положении PS4™): нажмите кнопку PS на рулевом колесе (8) и откройте свой игровой профиль Sony Entertainment Network, чтобы можно было использовать руль.

Теперь все готово для игры!

Важно!

- Переключатель USB-входа (5) на базе рулевого колеса обязательно должен быть переведен в правильное положение (PS3™ или PS4™) перед подключением к игровой системе USB-кабеля. Для изменения положения переключателя отсоедините USB-кабель от игровой системы и переведите переключатель в нужное положение, после чего снова подключите USB-кабель к игровой системе.
- Для использования системы PlayStation®3 переключатель USB-входа (5) обязательно должен быть переведен в положение PS3™:
- * Большинство игр рулевая система распознается как руль T500RS.
- * Функции рулевой системы поддерживаются совместимыми играми и меню игровых систем.
- * Функция PS действует на рулевой системе.
- Для системы PlayStation®4, когда переключатель USB (5) находится в положении PS3™:
- * Большинство игр рулевая система распознается как руль T500RS.
- * Функции руля поддерживаются совместимыми играми, но не меню игровых систем.
- * Функции SHARE и PS не действуют на рулевой системе.
- Для системы PlayStation®4, когда переключатель USB (5) находится в положении PS4™:
- * Не забудьте нажать кнопку PS на рулевом колесе (8) и открыть свой игровой профиль, чтобы можно было использовать руль.
- * Большинство игр рулевая система распознается как руль T300 RS или T150.
- * Функции рулевой системы поддерживаются совместимыми играми и меню игровых систем.
- * Функции SHARE и PS действуют на рулевой системе.
- *Перечень игр для PlayStation®3 и PlayStation®4, совместимых с рулевой системой T150 (с указанием необходимого положения переключателя USB-входа (5) в соответствии с используемой игрой) можно найти на сайте: <http://ts.thrustmaster.com> (в разделе Updates and Downloads выберите PlayStation® / Wheels / T150). Этот список регулярно обновляется.*

НАСТРОЙКА РУЛЕВОЙ СИСТЕМЫ ДЛЯ ПК*

*Совместимость с ПК без лицензии Sony Computer Entertainment Europe.

Важно!

При использовании ПК переключатель USB (5) на базе рулевого колеса всегда должен находиться в положении PS3™.

1. Загрузите драйверы и программу Force Feedback для ПК на сайте <http://ts.thrustmaster.com>. В разделе Updates and Downloads (Обновления и загрузки) выберите PC / Wheels / T150 и Drivers.

2. После завершения загрузки запустите процесс установки и выполните указания на экране по подключению USB-кабеля к компьютеру и завершению установки.

3. После завершения установки щелкните кнопку «Готово» и перезапустите компьютер.

4. Выберите «Пуск / Все программы / Thrustmaster / FFB Racing Wheel / Control Panel», чтобы открыть окно «Игровые устройства».

В окне «Игровые устройства» отображается рулевая система T150 Racing Wheel с состоянием «ОК».

5. Щелкните «Свойства», чтобы настроить параметры рулевой системы T150 на панели управления:

- вкладка Test Input (Тест входа): возможность протестировать и просмотреть функциональные кнопки и кнопки направлений, оси руля и педалей, а также отрегулировать угол поворота руля в играх на ПК;
- вкладка Test Forces (Тест силовой обратной связи): возможность протестировать 12 эффектов силовой обратной связи;
- вкладка Gain Settings (Параметры усиления): регулировка мощности эффектов силовой обратной связи в играх на ПК.

Теперь все готово для игры!

Общие примечания:

- перед запуском игры на ПК щелкните ОК, чтобы закрыть окно «Игровые устройства»;
- настройки, сделанные в окне «Игровые устройства» будут сохранены только на компьютере (они не будут иметь силы на системе PlayStation®3 или PlayStation®4);
- версия прошивки руля отображается в верхнем правом углу на вкладках панели управления системы T150.

ENGLISH

FRAÇAIS

DEUTSCH

NEDERLANDS

ITALIANO

ESPAÑOL

PORTUGUÊS

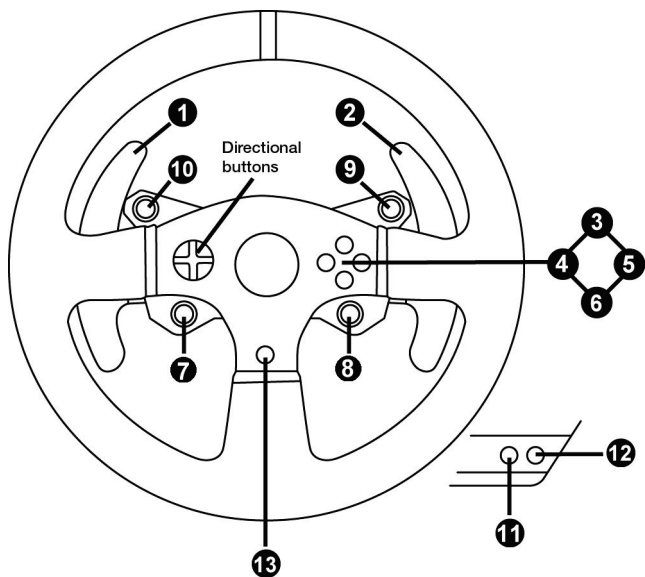
РУССКИЙ

EAGHNIKA

TÜRKÇE

POLSKI

РАСКЛАДКА ФУНКЦИЙ ДЛЯ ПК



АВТОМАТИЧЕСКАЯ КАЛИБРОВКА РУЛЯ И ПЕДАЛЬНОГО БЛОКА

Калибровка гоночного руля выполняется автоматически при подключении рулевой системы к электророзетке и к игровой системе PlayStation®3 or PlayStation®4 через USB-разъем. Во время этой процедуры руль быстро вращается влево и вправо, совершая поворот на 1080 градусов, и затем останавливается в центре.



ВНИМАНИЕ!

**Во время автокалибровки нельзя дотрагиваться до руля!
(В противном случае возможен сбой калибровки и/или телесная травма).**

АВТОМАТИЧЕСКАЯ КАЛИБРОВКА ПЕДАЛЬНОГО БЛОКА

Нельзя подключать pedalный блок к базе рулевого колеса (и отключать его от базы), если система подключена к игровой системе и во время игры (в противном случае возможен сбой калибровки).

Педаальный блок следует подключать к рулевой системе перед ее подключением к игровой системе.

После завершения калибровки руля и запуска игры несколькими нажатиями на педали включается их автоматическая калибровка.



ВНИМАНИЕ!

**Нельзя нажимать педали во время автокалибровки руля и во время загрузки игры!
(В противном случае возможен сбой калибровки).**

Если гоночный руль и/или pedalный блок не работают должным образом или кажутся неверно откалиброванными:

выключите игровую систему и полностью отсоедините рулевую систему; затем заново подключите все кабели (в том числе кабели питания и pedalного блока) и перезапустите игровую систему и игру.

КНОПКА И ИНДИКАТОР MODE(6)

Кнопка MODE для педального блока

Педальный блок, входящий в комплект рулевой системы T150, оснащен двумя педалями. При использовании педального блока индикатор должен гореть красным, иначе педаль ускорения не будет работать должным образом.

Рулевая система T150 совместима также с педальными блоками Thrustmaster с тремя педалями (*приобретаются отдельно*); на которых можно электронным способом поменять местами педали сцепления и газа.

Для этого достаточно нажать кнопку MODE (6) на 2 сек.

Во встроенной памяти рулевой системы сохраняются данные о переносе педалей.

| ПЕДАЛИ УСКОРЕНИЯ И СЦЕПЛЕНИЯ | Цвет индикатора MODE (6) |
|------------------------------|--------------------------|
| ОБЫЧНЫЙ РЕЖИМ | КРАСНЫЙ |
| ОБРАТНЫЙ РЕЖИМ | ЗЕЛЕНый |

Другие советы по использованию кнопки MODE

Подробнее о кнопке и индикаторе MODE рассказывается на сайте <http://ts.thrustmaster.com>. В разделе **Updates and Downloads** выберите **PlayStation® / Wheels / T150**, затем откройте **Manual/Help file**.

СПРАВКА И ОТВЕТЫ НА ЧАСТЫЕ ВОПРОСЫ (НЕ ПРИВЕДЕННЫЕ В НАСТОЯЩЕМ РУКОВОДСТВЕ)

На сайте <http://ts.thrustmaster.com> в разделе **Updates and Downloads** выберите **PlayStation® / Wheels / T150**, затем откройте **Manual/Help file**.

Сведения о потребительской гарантии

Корпорация Guillemot Corporation S.A., зарегистрированная по адресу Place du Granier, B.P. 97143, 35571 Chantepie, Франция, (далее — «Guillemot») гарантирует своим клиентам во всем мире, что в данном изделии Thrustmaster не будет выявлено никаких дефектов материалов и производства в течение гарантийного периода, который равен сроку предъявления претензии по соответствию для данного изделия. В странах Европейского Союза этот срок соответствует двум (2) годам с момента поставки изделия Thrustmaster. В других странах гарантийный период равен сроку предъявления претензии по соответствию для изделия Thrustmaster, определяемому соответствующим законодательством страны, в которой проживал потребитель на момент приобретения изделия Thrustmaster (если подобные претензии не действуют в соответствующей стране, гарантийный период равняется одному (1) году с первоначальной даты приобретения изделия Thrustmaster). Независимо от вышесказанного, гарантия на аккумуляторы равняется шести (6) месяцам с первоначальной даты приобретения.

В случае обнаружения дефектов изделия во время гарантийного периода незамедлительно обратитесь в службу технической поддержки, сотрудники которой определяют дальнейшую процедуру. Если дефект будет подтвержден, изделие следует вернуть по месту приобретения (или в любое другое место, указанное службой технической поддержки).

В рамках действия гарантии дефектное изделие будет, по усмотрению службы технической поддержки, заменено или возвращено в рабочее состояние. Если в течение гарантийного срока изделие Thrustmaster будет подвержено такому восстановлению, к оставшемуся гарантийному сроку прибавляется период времени, но не менее семи (7) дней, во время которого изделие находилось вне употребления (началом этого периода считается дата запроса покупателя о вмешательстве или дата предоставления дефектного изделия для восстановления, если изделие было предоставлено для восстановления позднее, чем был сделан запрос о вмешательстве). В мере, разрешенной применимым законодательством, полная ответственность компании Guillemot и ее дочерних компаний (в том числе косвенный ущерб) ограничивается восстановлением рабочего состояния или заменой изделия Thrustmaster. В мере, разрешенной применимым законодательством, компания Guillemot отказывается от любых гарантий коммерческой пригодности или пригодности для определенной цели.

Настоящая гарантия не распространяется: (1) на ситуации, когда изделие было видоизменено, открыто, модифицировано или получило повреждение в результате недопустимого или неправильного использования, небрежности или несчастного случая, естественного износа или любой другой причины, не связанной с дефектом материалов или производства (включая, помимо прочего, использование изделия Thrustmaster совместно с любыми неподходящими элементами, в частности — с блоками питания, аккумуляторами, зарядными устройствами и любыми другими элементами, не входящими в комплектацию Guillemot для данного изделия); (2) на ситуации, когда указания службы технической поддержки не были выполнены; (3) на ПО, так как на такое ПО распространяется отдельная гарантия; (4) на расходные материалы (элементы, предназначенные для замены в течение срока службы изделия: например, батареи и ушные подушки для гарнитур или наушников); (5) на аксессуары (например, кабели, чехлы, сумки, футляры, наручные ремешки); (6) на случаи продажи изделия с открытого аукциона.

Данная гарантия не подлежит передаче.

Настоящая гарантия не ущемляет прав потребителя, предоставляемых ему применимыми законами в отношении продажи потребительских товаров в соответствующей стране.

ENGLISH

FRANÇAIS

DEUTSCH

NEDERLANDS

ITALIANO

ESPAÑOL

PORTUGUÊS

РУССКИЙ

EMLNHNKA

TÜRKÇE

POLSKI

Дополнительные условия гарантии

В течение гарантийного срока компания Guillemot, в общем и целом, не предоставляет никаких запасных частей, так как вскрытие и/или модификацию любых изделий Thrustmaster вправе осуществлять только служба технической поддержки (за исключением каких-либо процедур по модификации, которые служба технической поддержки может предложить выполнить клиенту путем письменных инструкций и предоставления, при необходимости, требуемых запасных частей: например, в связи с отсутствием статуса сложности или конфиденциальности у такой восстановительной процедуры).

С учетом периода освоения новых изделий и в целях защиты своих ноу-хау и коммерческих тайн компания Guillemot, в общем и целом, не предоставляет каких-либо уведомлений о восстановлении или запасных частей для любых изделий Thrustmaster с истекшим гарантийным сроком.

В США и Канаде настоящая гарантия ограничивается внутренним механизмом и оболочкой устройства. Корпорация Guillemot и ее дочерние предприятия ни при каких условиях не несут ответственности перед третьими лицами за косвенные или случайные убытки, связанные с нарушением каких-либо явных или подразумеваемых гарантий. В некоторых штатах/провинциях не допускается ограничение срока действия подразумеваемой гарантии или ограничение ответственности за косвенные/случайные убытки, поэтому в вашем случае вышеуказанные ограничения или исключения могут быть неприменимы. Настоящая гарантия предоставляет Вам определенные юридические права. У Вас могут также быть другие права, определенные законодательством штата или провинции.

Ответственность

В мере, разрешенной применимым законодательством, компания Guillemot Corporation S.A. (далее — «Guillemot») и ее дочерние предприятия отказываются от любой ответственности за любой ущерб, вызванный одним или несколькими из следующих факторов: (1) видоизменение, вскрытие или модификация изделия; (2) несоблюдение инструкций по сборке; (3) недопустимое или неправильное использование, небрежность, несчастный случай (например, физическое воздействие); (4) естественный износ. В мере, разрешенной применимым законодательством, компания Guillemot и ее дочерние предприятия отказываются от любой ответственности за любой ущерб, не связанный с дефектами материалов или изготовления, в отношении данного изделия (включая, помимо прочего, любой ущерб, вызванный прямо или опосредованно любым программным обеспечением или использованием изделия Thrustmaster с любыми неподходящими элементами, в частности — блоками питания, аккумуляторами, зарядными устройствами и любыми другими элементами, не входящими в комплектацию Guillemot для данного изделия).

THRUSTMASTER®

ТЕХНИЧЕСКОЙ ПОДДЕРЖКИ

<http://ts.thrustmaster.com>



АВТОРСКИЕ ПРАВА

© Корпорация 2015 Guillemot Corporation S.A. Все права защищены. Thrustmaster® является зарегистрированным товарным знаком корпорации Guillemot Corporation S.A.

Лицензия для продажи в Европе, Африке, на Ближнем Востоке, в России, Индии и Океании. Для исключительного использования с PlayStation®3 и PlayStation®4.

"PS", "PlayStation", "PS3" и "ΔΟΧΩ" являются зарегистрированными товарными знаками компании Sony Computer Entertainment Inc. "PS4" является зарегистрированным товарным знаком этой же компании. Все права защищены.

Все остальные товарные знаки являются собственностью соответствующих владельцев. Иллюстрации могут не соответствовать внешнему виду/функциям конкретного изделия. Содержание, конструкция и технические характеристики изделия могут быть изменены без предварительного уведомления и зависят от страны приобретения. Сделано в Китае.

Произведено и распространяется компанией Guillemot Corporation S.A.

Технология TouchSense® по лицензии от корпорации Immersion Software Ireland Limited. Защищено одним или несколькими патентами США, с которыми можно ознакомиться на сайте www.immersion.com/patent-marking.html, и другими патентами, ожидающими рассмотрения.

РЕКОМЕНДАЦИИ ПО ЗАЩИТЕ ОКРУЖАЮЩЕЙ СРЕДЫ



* В странах ЕС: после окончания срока службы данное изделие следует утилизировать не вместе с бытовым мусором, а в пункте сбора отходов электрического и электронного оборудования.

Данное указание подтверждается соответствующим символом, нанесенным на изделие, руководство пользователя или упаковку.

В зависимости от свойств, материалы могут передаваться в повторную переработку. Повторная переработка отходов электрического и электронного оборудования может внести значительный вклад в сохранение окружающей среды.

Обратитесь в местные органы власти за информацией о ближайшем пункте приема таких отходов.

В других странах: в соответствии с местными законами по утилизации электрического и электронного оборудования.

При использовании изделием учитывайте следующее: цвета и дизайн могут различаться.

Пластиковые стяжки и клейкую ленту следует снять перед использованием изделия.

www.thrustmaster.com

**Применимо только в ЕС и Турции*



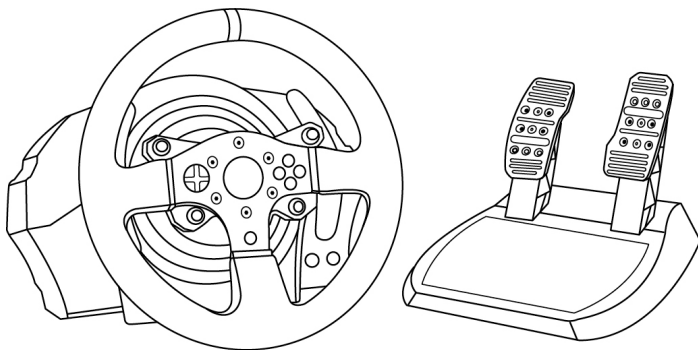
immersion.



T150

FORCE FEEDBACK

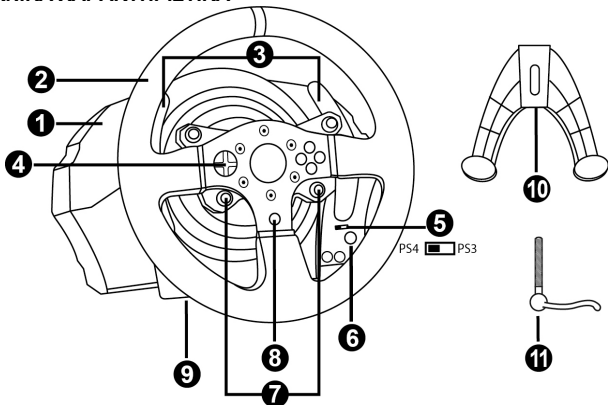
Εγχειρίδιο χρήσης



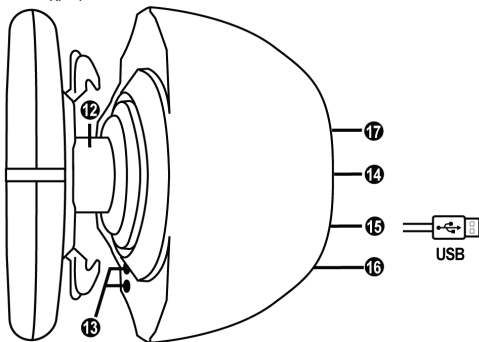
ΠΡΟΕΙΔΟΠΟΙΗΣΗ:

Για να βεβαιωθείτε ότι η τιμονιέρα T150 λειτουργεί σωστά με κάθε παιχνίδι, ίσως χρειαστεί να εγκαταστήσετε τις αυτόματες ενημερώσεις του κάθε παιχνιδιού (είναι διαθέσιμα όταν το σύστημα παιχνιδιών είναι συνδεδεμένη στο Internet).

ΤΕΧΝΙΚΑ ΧΑΡΑΚΤΗΡΙΣΤΙΚΑ



- | | |
|--------------------------------------------------------------------------------------------------------------------------------------------------------------------------------------------------------------------------------------------------------------------------------------|-----------------------------------------------------------------------------------------------------------------------------------------------------------------------------------------------------------------------------------|
| <p>1 Βάση T150</p> <p>2 Τιμόνι</p> <p>3 2 μοχλοί αλλαγής ταχυτήτων σειριακής διάταξης (Up & Down)</p> <p>4 Σταυρός κατευθύνσεων πολλών κατευθύνσεων</p> <p>5 Ενσωματωμένος συρόμενος διακόπτης USB PS4™/PS3™</p> <p>6 Κουμπί MODE + λυχνία ένδειξης με κόκκινο/πράσινο χρώμα</p> | <p>7 Κουμπιά SELECT/START στο PS3™ και SHARE/OPTIONS στο PS4™</p> <p>8 Κουμπί PS</p> <p>9 Οπή μεγάλου σπειρώματος (για σύστημα προσάρτησης και βίδα σύσφιξης)</p> <p>10 Σύστημα προσάρτησης</p> <p>11 Μεταλλική βίδα σύσφιξης</p> |
|--------------------------------------------------------------------------------------------------------------------------------------------------------------------------------------------------------------------------------------------------------------------------------------|-----------------------------------------------------------------------------------------------------------------------------------------------------------------------------------------------------------------------------------|



- | | |
|-----------------------------------------------------------------------------------------------------------------------------------------|------------------------------------------------------------------------------------------------------------------------------------------------------------------------|
| <p>12 Άξονας τιμονιού</p> <p>13 Κουμπιά L3/R3</p> <p>14 Καλώδιο τροφοδοσίας ή Υποδοχή παροχής ρεύματος (πιοκίλλει από χώρα σε χώρα)</p> | <p>15 Καλώδιο USB και υποδοχή αγωνιστικού τιμονιού</p> <p>16 Υποδοχή μοχλού αλλαγής ταχυτήτων (το κιβώτιο ταχυτήτων πωλείται χωριστά)</p> <p>17 Υποδοχή σει πεντάλ</p> |
|-----------------------------------------------------------------------------------------------------------------------------------------|------------------------------------------------------------------------------------------------------------------------------------------------------------------------|

ΣΥΝΔΕΣΗ ΤΗΣ ΤΙΜΟΝΙΕΡΑΣ ΣΤΟ ΡΕΥΜΑ: ΔΙΑΒΑΣΤΕ ΠΡΙΝ ΣΥΝΕΧΙΣΤΕΙ!

Η υποδοχή προφοδοσίας της τιμονιέρας ποικίλλει ανάλογα με τη χώρα από την οποία αγοράσατε τη συσκευή σας.

Μόνο για Ευρωπαϊκές εκδόσεις

Σημαντική σημείωση: η Ευρωπαϊκή έκδοση της τιμονιέρας T150 διαθέτει εσωτερική παροχή ρεύματος, που βρίσκεται απευθείας μέσα στη βάση της τιμονιέρας.

Η Ευρωπαϊκή έκδοση πρέπει να παρέχεται αποκλειστικά με ρεύμα τάσης 220V!

Ποτέ μην ανοίγετε τη βάση της τιμονιέρας – κίνδυνος ηλεκτροπληξίας!



Power Supply
220~240V 50Hz 0.8A

- Απλώς συνδέστε την υποδοχή ρεύματος της τιμονιέρας σε μια πρίζα τάσης 220 V.

Άλλες εκδόσεις (μη Ευρωπαϊκές)

Σημείωση: Σε αντίθεση με την Ευρωπαϊκή έκδοση, η μη Ευρωπαϊκή έκδοση της τιμονιέρας T150 διαθέτει εξωτερική πρίζα. Παρέχεται μια συγκεκριμένη συσκευή με την τιμονιέρα.

- Συνδέστε τον εξωτερικό ανάπτορα στην αντίστοιχη υποδοχή που βρίσκεται στο πίσω μέρος της τιμονιέρας, και στη συνέχεια, συνδέστε τον εξωτερικό ανάπτορα του ρεύματος σε μια τυπική πρίζα ρεύματος που έχει την ίδια τάση.

ΠΡΟΕΙΔΟΠΟΙΗΣΕΙΣ

Πριν χρησιμοποιήσετε αυτό το προϊόν, διαβάστε προσεκτικά το παρόν εγχειρίδιο και φυλάξτε το για μελλοντική αναφορά.



Προειδοποίηση – Ηλεκτροπληξία

- * Κρατήστε αυτό το προϊόν σε στεγνό μέρος και μην το εκθέτετε σε σκόνη ή στον ήλιο.
- * Μην περιστρέψετε ή τραβάτε τις υποδοχές και τα καλώδια.
- * Μην ρίχνετε υγρό στο προϊόν και τις υποδοχές του.
- * Μην βραχυκυκλώνετε το προϊόν.
- * Ποτέ μην αποσυναρμολογείτε το προϊόν. Μην ρίχνετε το προϊόν σε φωτιά και μην το εκθέτετε σε υψηλές θερμοκρασίες.
- * Μην χρησιμοποιείτε άλλο καλώδιο τροφοδοσίας πέρα από αυτό που παρέχεται μαζί με την τιμονιέρα σας.
- * Μην χρησιμοποιείτε το καλώδιο του αντάππορα δικτύου εάν το καλώδιο ή οι συνδέσεις έχουν φθορές, έχουν διαχωριστεί ή κοπτεί.
- * Βεβαιωθείτε ότι το καλώδιο παροχής ρεύματος έχει τοποθετηθεί σωστά στην πρίζα και είναι σωστά συνδεδεμένο στην υποδοχή που βρίσκεται στην πίσω όψη της βάσης της τιμονιέρας.
- * Μην ανοίγετε την τιμονιέρα: δεν υπάρχουν ανταλλακτικά μέσα που μπορούν να επιδιορθωθούν από τον χρήστη. Οποιαδήποτε συντήρηση πρέπει να πραγματοποιείται από τον κατασκευαστή, τον εξουσιοδοτημένο αντιπρόσωπο ή κάποιον εξειδικευμένο τεχνικό.
- * Χρησιμοποιείτε μόνο πρόσθετα του συστήματος/αξεσουάρ που καθορίζει ο κατασκευαστής.
- * Εάν η τιμονιέρα λειτουργεί με ασυνήθιστο τρόπο (εάν ακούγονται περίεργοι ήχοι, εκπέμπεται θερμότητα ή αναδύονται οσμές), σταματήστε τη χρήση αμέσως, αποσυνδέστε το καλώδιο τροφοδοσίας από την πρίζα και αποσυνδέστε τα υπόλοιπα καλώδια.
- * Αν δεν σκοπεύετε να χρησιμοποιήσετε την τιμονιέρα για μεγάλο χρονικό διάστημα, αποσυνδέστε το καλώδιο παροχής ρεύματος από την πρίζα.



Αεραγωγοί

Βεβαιωθείτε ότι δεν μπλοκάρете κανέναν από τους αεραγωγούς στη βάση της τιμονιέρας. Για τον καλύτερο δυνατό αερισμό, ακολουθήστε τις παρακάτω οδηγίες:

- * Τοποθετήστε τη βάση του τιμονιού τουλάχιστον 10 εκατοστά μακριά από τους τοίχους.
- * Μην τοποθετείτε τη βάση σε στενούς χώρους.
- * Μην καλύπτετε τη βάση.
- * Μην αφήνετε να συσσωρευτεί σκόνη επάνω στους αεραγωγούς.



**Για λόγους ασφάλειας, ποτέ μην χρησιμοποιείτε το σετ των πεντάλ ζυπόλητοι ή φορώντας μόνο κάλτσες.
H THRUSTMASTER® ΑΠΟΠΟΙΕΙΤΑΙ ΟΠΟΙΑΣΔΗΠΟΤΕ ΕΥΘΥΝΗΣ
ΣΕ ΠΕΡΙΠΤΩΣΗ ΤΡΑΥΜΑΤΙΣΜΟΥ ΠΟΥ ΠΡΟΚΑΛΕΙΤΑΙ ΑΠΟ ΤΗ
ΧΡΗΣΗ ΤΟΥ ΣΕΤ ΤΩΝ ΠΕΝΤΑΛ ΧΩΡΙΣ ΠΑΠΟΥΣΙΑ.**



Προειδοποίηση – Τραυματισμοί λόγω τεχνολογίας Force Feedback και επαναλαμβανόμενων κινήσεων

Το παιχνίδι με ένα τιμόνι τεχνολογίας Force Feedback ενδεχομένως να προκαλέσει πόνο στους μύες ή στις αρθρώσεις. Προς αποφυγή οποιονδήποτε προβλημάτων:

- * Αποφύγετε να παίζετε συνεχόμενα για μεγάλο χρονικό διάστημα.
- * Κάντε διαλείμματα διάρκειας 10 έως 15 λεπτών μετά από κάθε μία ώρα παιχνιδιού.
- * Αν νιώσετε κόπωση ή πόνο σε χέρια, καρπούς, μπράτσα, πέλματα ή πόδια, σταματήστε το παιχνίδι και ξεκουραστείτε για μερικές ώρες πριν αρχίσετε ξανά το παιχνίδι.



Προειδοποίηση – Τραυματισμοί λόγω τεχνολογίας Force Feedback και επαναλαμβανόμενων κινήσεων (συνέχεια)

- * Αν τα συμπτώματα ή ο πόνος που αναφέρθηκαν παραπάνω επιμένουν όταν αρχίσετε ξανά το παιχνίδι, σταματήστε να παίζετε και επισκεφτείτε τον ιατρό σας.
- * Κρατήστε το προϊόν μακριά από παιδιά.
- * Κατά τη διάρκεια του παιχνιδιού, έχετε πάντα και τα δύο χέρια σωστά τοποθετημένα στο τιμόνι χωρίς να το αφήνετε εντελώς.
- * Κατά τη διάρκεια των παιχνιδιών, ποτέ μην τοποθετείτε τα χέρια ή τα δάκτυλά σας κάτω από τα πεντάλ ή οπουδήποτε κοντά στο σετ των πεντάλ.
- * Κατά τη διάρκεια της βαθμονόμησης και του παιχνιδιού, ποτέ μην τοποθετείτε το χέρι ή το μπράτσο σας μέσα στα ανοίγματα της τιμονιέρας.
- * Βεβαιωθείτε ότι η βάση της τιμονιέρας είναι σωστά ασφαλισμένη, σύμφωνα με τις οδηγίες αυτού του χειριδίου.

ΒΑΡΥ ΠΡΟΪΟΝ



Το προϊόν προορίζεται για χρήστες 14 ετών ή μεγαλύτερους



Προσέχετε να μην ρίξετε το προϊόν επάνω σας ή επάνω σε κάποιον άλλον!

ΠΑΝΤΑ



ΠΟΤΕ



ΠΟΤΕ





Προειδοποίηση – Κίνδυνος μαγκώματος στο σετ των πεντάλ όταν παίζετε

- * Κρατήστε το σετ των πεντάλ μακριά από παιδιά.
- * Κατά τη διάρκεια του παιχνιδιού, ποτέ μην τοποθετείτε τα δάκτυλά σας επάνω ή οπουδήποτε κοντά στις πλευρές των πεντάλ.
- * Κατά τη διάρκεια του παιχνιδιού, ποτέ μην τοποθετείτε τα δάκτυλά σας επάνω ή οπουδήποτε κοντά στην μπροστινή βάση των πεντάλ.
- * Κατά τη διάρκεια του παιχνιδιού, ποτέ μην τοποθετείτε τα δάκτυλά σας επάνω ή οπουδήποτε κοντά στην μπροστινή βάση των πεντάλ.

ΠΟΤΕ



ΠΟΤΕ



ΠΟΤΕ



Προειδοποίηση – Κίνδυνος μαγκώματος στο σετ των πεντάλ όταν δεν παίζετε

- * Αποθηκεύστε το σετ των πεντάλ σε ασφαλές μέρος και διατηρήστε το μακριά από παιδιά.

ΕΝΗΜΕΡΩΣΗ ΤΟΥ ΥΛΙΚΟΛΟΓΙΣΜΙΚΟΥ ΤΗΣ ΤΙΜΟΝΙΕΡΑΣ ΣΑΣ

Είναι δυνατή η ενημέρωση του υλικολογισμικού που περιλαμβάνεται στη βάση της τιμονιέρας σας σε μια πιο πρόσφατη έκδοση με τις βελτιώσεις του προϊόντος.

Για να εμφανίσετε την έκδοση του υλικολογισμικού που διαθέτει προς το παρόν η τιμονιέρα σας και να την ενημερώσετε αν απαιτείται: σε υπολογιστή, συνδεθείτε στον ιστότοπο <http://ts.thrustmaster.com>. Στην ενότητα **Updates and Downloads**, κάντε κλικ στις επιλογές **PlayStation® / Wheels / T150**, έπειτα επιλέξτε **Driver/Firmware** και ακολουθήστε τις οδηγίες που περιγράφουν τη διαδικασία λήψης και εγκατάστασης.

Σημαντική σημείωση:

Σε PC, ο διακόπτης επιλογέα USB (5) στη βάση της τιμονιέρας πρέπει να είναι πάντα ρυθμισμένος στη θέση PS3™.

ΡΥΘΜΙΣΗ ΤΗΣ ΚΛΙΣΗΣ ΤΟΥ ΠΕΝΤΑΛ

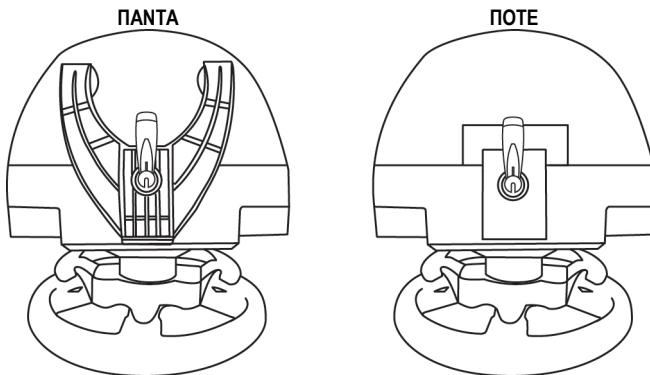
Η κλίση του πεντάλ είναι ρυθμιζόμενη.

Θα βρείτε τις οδηγίες ρύθμισης για κάθε πεντάλ στον ιστότοπο <http://ts.thrustmaster.com>. Στην ενότητα **Updates and Downloads**, κάντε κλικ στις επιλογές **PlayStation® / Wheels / T150**, μετά επιλέξτε **Manual/Help file**.

ΠΡΟΣΑΡΤΗΣΗ ΤΙΜΟΝΙΕΡΑΣ

Τοποθέτηση τιμονιέρα σε τραπέζι ή γραφείο

1. Τοποθετήστε την τιμονιέρα σε τραπέζι ή οποιαδήποτε άλλη οριζόντια, επίπεδη και σταθερή επιφάνεια.
2. Εισάγετε τη βίδα σύσφιξης (11) στο σύστημα προσάρτησης (10), μετά σφίξτε τη συσκευή στρέφοντας τη βίδα σύσφιξης αριστερόστροφα, ώστε να στερεωθεί στην οπή του μεγάλου σπειρώματος (9) κάτω από την τιμονιέρα, έως ότου το τιμόνι είναι εντελώς σταθερό.

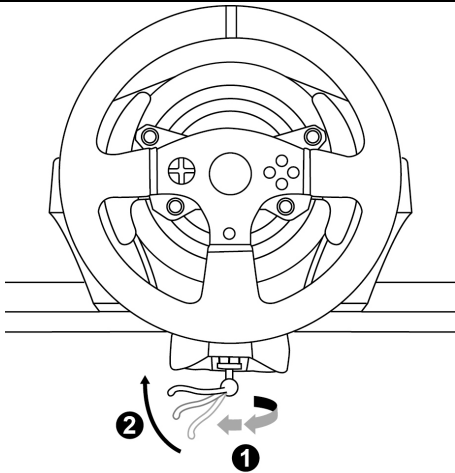


ΠΡΟΕΙΔΟΠΟΙΗΣΗ: Μην σφίγγετε τη βίδα μόνη της, χωρίς να βρίσκεται το σύστημα προσάρτησης στη θέση του!
(Αυτό θα μπορούσε να προκαλέσει ζημιά στην τιμονιέρα).

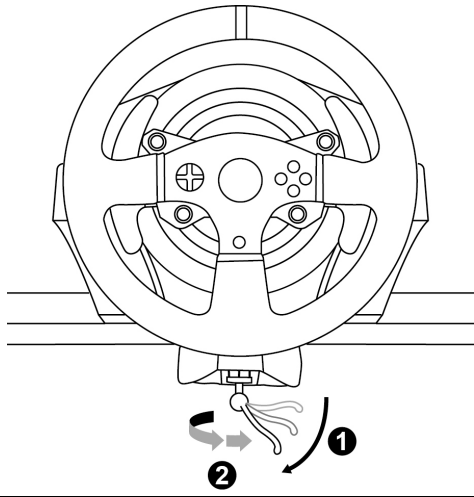
ΠΡΟΣΑΡΤΗΣΗ/ΑΦΑΙΡΕΣΗ

ΚΑΤΕΥΘΥΝΣΗ

Για να σφίξετε:
Στρέψτε τη βίδα αριστερόστροφα



Για ελευθέρωση:
Στρέψτε τη βίδα δεξιόστροφα



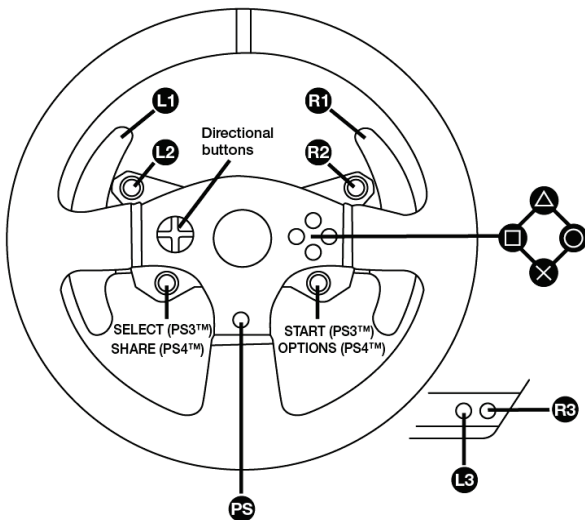
Προσάρτηση του σετ των πεντάλ σε θέση οδηγού

1. Προσαρτήστε το σετ των πεντάλ χρησιμοποιώντας τις μικρές οπές από τα σπειρώματα που βρίσκονται από κάτω.
2. Καθοδηγήστε τις δύο βίδες M6 (δεν περιλαμβάνονται) μέσω της προεξοχής της θέσης του οδηγού, και στη συνέχεια, τοποθετήστε τις στις δύο μικρές οπές από τα σπειρώματα που βρίσκονται κάτω από το σετ των πεντάλ.

Σημαντικό: Το μήκος από τις δύο βίδες M6 δεν πρέπει να υπερβαίνει το πάχος της προεξοχής + 10 χιλιοστά. Οι μακρύτερες βίδες θα μπορούσαν να προκαλέσουν ζημιά στα εσωτερικά εξαρτήματα που βρίσκονται μέσα στο σετ των πεντάλ.

Τα διαγράμματα για τις θέσεις του οδηγού (για τοποθέτηση της βάσης της τιμονιέρας και/ή του σετ των πεντάλ) υπάρχουν διαθέσιμα στον ιστότοπο <http://ts.thrustmaster.com>: στην ενότητα **Updates and Downloads**, κάντε κλικ στις επιλογές **PlayStation® / Wheels / T150**, έπειτα επιλέξτε **Manual/Help file**.

ΑΝΤΙΣΤΟΙΧΙΣΗ ΓΙΑ PLAYSTATION®3 ΚΑΙ PLAYSTATION®4



ΡΥΘΜΙΣΗ ΤΗΣ ΤΙΜΟΝΙΕΡΑΣ ΓΙΑ PLAYSTATION®3 Ή PLAYSTATION®4

1. Συνδέστε το σεντ των πεντάλ στην υποδοχή (17) που βρίσκεται στο πίσω μέρος της βάσης της τιμονιέρας.
2. Συνδέστε το καλώδιο τροφοδοσίας στην υποδοχή (14) που βρίσκεται στο πίσω μέρος της βάσης της τιμονιέρας.
3. Συνδέστε το καλώδιο τροφοδοσίας σε μια πρίζα με τις ίδιες προδιαγραφές τάσης.



Για περισσότερες σχετικές πληροφορίες, ανατρέξτε στην ενότητα ΣΥΝΔΕΞΗ ΤΗΣ ΤΙΜΟΝΙΕΡΑΣ ΣΤΟ ΡΕΥΜΑ, στη σελίδα 3 στο παρόν εγχειρίδιο.

4. Ρυθμίστε τον διακόπτη επιλογέα USB (5) στη βάση της τιμονιέρας είτε στη θέση PS3™ είτε στη θέση PS4™, ανάλογα με το σύστημα ή το παιχνίδι που χρησιμοποιείτε.
5. Συνδέστε την υποδοχή USB της τιμονιέρας (15) σε μία από τις θύρες USB του συστήματος.
6. Αφού ενεργοποιήσετε το σύστημά σας, η τιμονιέρα σας θα βαθμονομηθεί αυτόματα.
7. Στο PlayStation®4 (όταν ο διακόπτης επιλογέα USB έχει ρυθμιστεί στη θέση PS4™): πατήστε το κουμπί PS της τιμονιέρας (8) και συνδεθείτε στο δικό σας προφίλ παίκτη Sony Entertainment Network για να μπορέσετε να χρησιμοποιήσετε το τιμόνι.

Τώρα είστε έτοιμοι για παιχνίδι!

Σημαντικές σημειώσεις:

- Ο διακόπτης επιλογέα USB (5) που βρίσκεται στη βάση της τιμονιέρας πρέπει να είναι πάντα ρυθμισμένος στην κατάλληλη θέση (PS3™ ή PS4™) πριν το καλώδιο USB του τιμονιού συνδεθεί στο σύστημα. Για να αλλάξετε τη θέση του διακόπτη επιλογέα, αποσυνδέστε το καλώδιο USB από το σύστημα και, έπειτα, αλλάξτε τη θέση του διακόπτη πριν συνδέσετε ξανά το καλώδιο USB στο σύστημα.
- Στο PlayStation®3, ο διακόπτης επιλογέα USB (5) πρέπει να είναι πάντα ρυθμισμένος στη θέση PS3™:
 - * Το τιμόνι αναγνωρίζεται από τα περισσότερα παιχνίδια ως τιμόνι T500RS.
 - * Το τιμόνι είναι λειτουργικό σε συμβατά παιχνίδια και σε μενού των συστημάτων.
 - * Η λειτουργία «PS» είναι λειτουργική στο τιμόνι.
- Στο PlayStation®4, με τον διακόπτη επιλογέα USB (5) να έχει ρυθμιστεί στη θέση PS3™:
 - * Το τιμόνι αναγνωρίζεται από τα περισσότερα παιχνίδια ως τιμόνι T500RS.
 - * Το τιμόνι είναι λειτουργικό σε συμβατά παιχνίδια αλλά όχι σε μενού των συστημάτων.
 - * Οι λειτουργίες «SHARE» και «PS» δεν είναι λειτουργικές στο τιμόνι.
- Στο PlayStation®4, με τον διακόπτη επιλογέα USB (5) να έχει ρυθμιστεί στη θέση PS4™:
 - * Μην ξεχνάτε να πατήσετε το κουμπί PS της τιμονιέρας (8) για να μπορέσετε να χρησιμοποιήσετε το τιμόνι.
 - * Το τιμόνι αναγνωρίζεται από τα περισσότερα παιχνίδια ως τιμόνι T300 RS ή T150.
 - * Το τιμόνι είναι λειτουργικό σε συμβατά παιχνίδια και σε μενού των συστημάτων.
 - * Οι λειτουργίες «SHARE» και «PS» είναι λειτουργικές στο τιμόνι.
- Η λίστα με συμβατά παιχνίδια του PlayStation®3 και του PlayStation®4 με το τιμόνι T150 (μαζί με την απαιτούμενη θέση του διακόπτη επιλογέα USB (5) ανάλογα με το παιχνίδι που παίζετε) υπάρχει διαθέσιμη στον ιστότοπο:
<http://ts.thrustmaster.com> (στην ενότητα Updates and Downloads, κάντε κλικ στις επιλογές PlayStation® / Wheels / T150).
Αυτή η λίστα ανανεώνεται τακτικά.

ΡΥΘΜΙΣΗ ΤΗΣ ΤΙΜΟΝΙΕΡΑΣ ΓΙΑ PC*

*Η συμβατότητα για PC δεν προσυπογράφεται από τη Sony Computer Entertainment Europe.

Σημαντική σημείωση:

Σε PC, ο διακόπτης επιλογέα USB (5) στη βάση της τιμονιέρας πρέπει να είναι πάντα ρυθμισμένος στη θέση PS3™.

1. Μεταβείτε στη διεύθυνση <http://ts.thrustmaster.com> για λήψη των οδηγιών και του λογισμικού Force Feedback για PC. Στην ενότητα Updates and downloads (Ενημερώσεις και Λήψεις), κάντε κλικ στις επιλογές PC/Wheels (Τιμόνια)/T150, έπειτα επιλέξτε Drivers (Οδηγοί).

2. Μετά την ολοκλήρωση της λήψης, εκκινήστε την εγκατάσταση και ακολουθήστε τις οδηγίες στην οθόνη για να συνδέσετε την υποδοχή USB του τιμονιού στον υπολογιστή σας και να ολοκληρώσετε την εγκατάσταση.

3. Μόλις η εγκατάσταση ολοκληρωθεί, κάντε κλικ στο κουμπί Finish (Τέλος) και επανεκκινήστε τον υπολογιστή σας.

4. Επιλέξτε Start (Έναρξη)/All Programs (Όλα τα προγράμματα)/Thrustmaster/FFB Racing Wheel (Τιμονιέρα FFB)/Control Panel (Πίνακας ελέγχου).

Το παράθυρο διαλόγου για τους Ελεγκτές παιχνιδιού εμφανίζει το όνομα της τιμονιέρας T150 Racing Wheel με την ένδειξη OK.

5. Κάντε κλικ στην επιλογή Properties (ιδιότητες) για να διαμορφώσετε το τιμόνι σας στον πίνακα ελέγχου T150:

- Καρτέλα Εισαγωγή δοκιμής: επιτρέπει να δοκιμάσετε και να δείτε όλα τα κουμπιά δράσης, τα κουμπιά κατεύθυνσης, τους άξονες του τιμονιού και των πεντάλ, καθώς και να ρυθμίσετε τη γωνία περιστροφής του τιμονιού στα παιχνίδια που παίζετε στον υπολογιστή σας.
- Καρτέλα Δοκιμή δυνάμεων: επιτρέπει να δοκιμάσετε 12 εφέ λειτουργίας force feedback.
- Καρτέλα Ρυθμίσεις ενίσχυσης: επιτρέπει να ρυθμίσετε την ισχύ των εφέ της λειτουργίας force feedback στα παιχνίδια που παίζετε στον υπολογιστή σας.

Τώρα είστε έτοιμοι για παιχνίδι!

Γενικές σημειώσεις:

- Σε PC, πατήστε το OK για να κλείσετε το παράθυρο για τους Ελεγκτές παιχνιδιού πριν ξεκινήσετε το παιχνίδι σας.
- Σε PC, οι ρυθμίσεις που εκτελούνται στο παράθυρο για τους Ελεγκτές παιχνιδιού θα αποθηκευτούν μόνο στον υπολογιστή σας (επομένως, δεν θα έχουν ισχύ στο PlayStation®3 ή το PlayStation®4).
- Η έκδοση του υλικολογισμικού του τιμονιού σας εμφανίζεται στην επάνω δεξιά γωνία στις καρτέλες του πίνακα ελέγχου T150.

ENGLISH

FRANÇAIS

DEUTSCH

NEDERLANDS

ITALIANO

ESPAÑOL

PORTUGUÊS

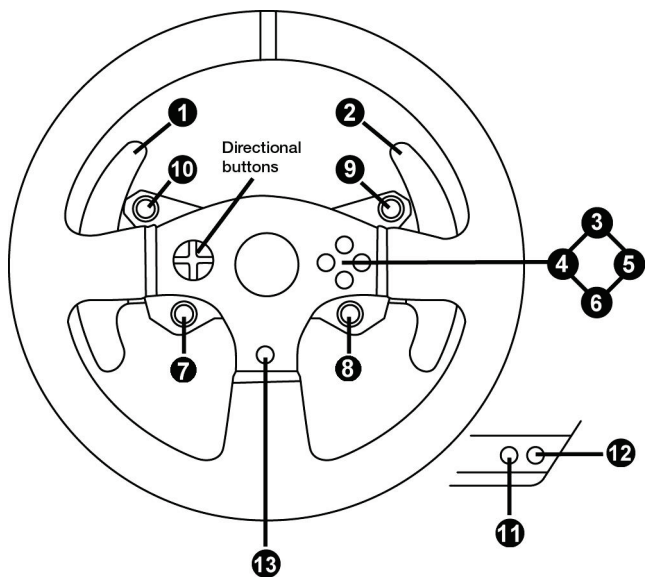
РУССКИЙ

ΕΛΛΗΝΙΚΑ

TÜRKÇE

POLSKI

ΑΝΤΙΣΤΟΙΧΙΣΗ ΣΕ PC



ΑΥΤΟΜΑΤΗ ΒΑΘΜΟΝΟΜΗΣΗ ΤΙΜΟΝΙΟΥ ΚΑΙ ΣΕΤ ΠΕΝΤΑΛ

Η βαθμονόμηση της τιμονιέρας πραγματοποιείται αυτόματα όταν συνδέετε την τιμονιέρα στο ρεύμα και την υποδοχή USB της τιμονιέρας στο σύστημα PlayStation®3 ή PlayStation®4. Στη διάρκεια αυτής της φάσης, το τιμόνι θα περιστρέφεται γρήγορα προς αριστερά και δεξιά, καλύπτοντας μια γωνία 1080, προτού σταματήσει στο κέντρο.



ΠΡΟΕΙΔΟΠΟΙΗΣΗ:

Ποτέ μην αγγίζετε το τιμόνι κατά τη διάρκεια της φάσης της αυτόματης βαθμονόμησης!
(Μια τέτοια ενέργεια θα μπορούσε να προκαλέσει λανθασμένη βαθμονόμηση και/ή τραυματισμούς).

ΑΥΤΟΜΑΤΗ ΒΑΘΜΟΝΟΜΗΣΗ ΤΙΜΟΝΙΟΥ ΚΑΙ ΠΕΝΤΑΛ

Ποτέ μην συνδέετε το σετ των πεντάλ στη βάση της τιμονιέρας (ή το αποσυνδέετε από τη βάση) όταν είναι συνδεδεμένο στο σύστημα ή κατά τη διάρκεια του παιχνιδιού (αυτό θα μπορούσε να προκαλέσει λανθασμένη βαθμονόμηση).

Πάντα συνδέετε το σετ των πεντάλ πριν συνδέετε το τιμόνι στο σύστημα.

Μόλις ολοκληρωθεί η βαθμονόμηση της τιμονιέρας και το παιχνίδι ξεκινήσει, η βαθμονόμηση των πεντάλ θα πραγματοποιηθεί αυτόματα μετά από μερικά πατήματα.



ΠΡΟΕΙΔΟΠΟΙΗΣΗ:

Ποτέ μην πατάτε τα πεντάλ κατά την εκκίνηση της τιμονιέρας κατά τη φάση της αυτόματης βαθμονόμησης ή κατά τη φόρτωση του παιχνιδιού!
(Αυτό θα μπορούσε να προκαλέσει λανθασμένη βαθμονόμηση)

Αν το τιμόνι και/ή το σετ των πεντάλ δεν λειτουργούν σωστά ή αν η βαθμονόμηση φαίνεται να είναι λανθασμένη:

Απενεργοποιήστε το σύστημά σας και αποσυνδέστε εντελώς την τιμονιέρα. Έπειτα, επανασυνδέστε όλα τα καλώδια (μαζί με το καλώδιο παροχής ρεύματος και το σετ των πεντάλ) και επανεκκινήστε το σύστημα και το παιχνίδι σας.

ΚΟΥΜΠΙ MODE ΚΑΙ ΛΥΧΝΙΑ ΕΝΔΕΙΞΗΣ (6)

Κουμπί MODE για το σετ των πεντάλ

Το σετ των πεντάλ που περιλαμβάνεται στην τιμονιέρα T150 διαθέτει 2 πεντάλ. Όταν χρησιμοποιείτε αυτό το σετ των πεντάλ, βεβαιωθείτε ότι η λυχνία ένδειξης παραμένει αναμμένη με κόκκινο χρώμα, διαφορετικά το πεντάλ του γκαζιού δεν θα λειτουργεί σωστά.

Η τιμονιέρα T150 είναι επίσης συμβατή με το σετ των πεντάλ της Thrustmaster που διαθέτει 3 πεντάλ (πωλούνται ξεχωριστά). Αυτά σας παρέχουν τη δυνατότητα να πραγματοποιείτε ηλεκτρονική εναλλαγή στο πεντάλ του γκαζιού και του συμπλέκτη.

Για να το κάνετε αυτό, απλώς πατήστε το κουμπί MODE (6) για 2 δευτερόλεπτα.

Στην εσωτερική μνήμη της τιμονιέρας αποθηκεύεται εάν έχει πραγματοποιηθεί ή όχι εναλλαγή των πεντάλ.

| ΠΕΝΤΑΛ ΓΚΑΖΙΟΥ ΚΑΙ ΣΥΜΠΛΕΚΤΗ | Χρώμα της λυχνίας ένδειξης του κουμπιού MODE (6) |
|------------------------------|--------------------------------------------------|
| ΚΑΝΟΝΙΚΑ | ΚΟΚΚΙΝΟ ΧΡΩΜΑ |
| ΕΝΑΛΛΑΓΗ | ΠΡΑΣΙΝΟ ΧΡΩΜΑ |

Άλλες συμβουλές για το κουμπί MODE

Για να μάθετε περισσότερα σχετικά με το κουμπί MODE και τη λυχνία ένδειξης, επισκεφθείτε τον ιστότοπο <http://ts.thrustmaster.com>. Στην ενότητα **Updates and Downloads**, κάντε κλικ στις επιλογές **PlayStation® / Wheels / T150**, έπειτα επιλέξτε **Manual/Help file**.

ΑΡΧΕΙΑ ΒΟΗΘΕΙΑΣ ΚΑΙ ΣΥΧΝΕΣ ΕΡΩΤΗΣΕΙΣ (ΔΕΝ ΠΕΡΙΛΑΜΒΑΝΟΝΤΑΙ ΣΕ ΑΥΤΟ ΤΟ ΕΓΧΕΙΡΙΔΙΟ)

Επισκεφθείτε τον ιστότοπο <http://ts.thrustmaster.com>, και στην ενότητα **Updates and Downloads**, κάντε κλικ στις επιλογές **PlayStation® / Wheels / T150**, έπειτα επιλέξτε **Manual/Help file**.

Πληροφορίες εγγύησης καταναλωτή

Παγκοσμίως, η Guillemot Corporation S.A. της οποίας η εγγεγραμμένη έδρα είναι η οδός Place du Granier, B.P. 97143, 35571 Chantepie, France (Γαλλία) (εφεξής "Guillemot") εγγυάται στον καταναλωτή ότι το προϊόν της Thrustmaster δεν παρουσιάζει ελάττωμα στο υλικό ούτε κατασκευαστικές ατέλειες για το χρονικό διάστημα της εγγύησης, το οποίο αντιστοιχεί στο χρονικό όριο για άσκηση αγωγής για συμμόρφωση αναφορικά με αυτό το προϊόν. Στις χώρες της Ε.Ε., αυτό αντιστοιχεί σε διάστημα δύο (2) ετών από την παράδοση του προϊόντος της Thrustmaster. Σε άλλες χώρες, η περίοδος εγγύησης αντιστοιχεί στο χρονικό όριο για άσκηση αγωγής για συμμόρφωση αναφορικά με το προϊόν της Thrustmaster σύμφωνα με την ισχύουσα νομοθεσία της χώρας στην οποία ο καταναλωτής διέμενε κατά την ημερομηνία αγοράς του προϊόντος της Thrustmaster (σε περίπτωση που δεν υπάρχει τέτοια ενέργεια στην αντίστοιχη χώρα, τότε η εγγύηση θα ισχύει για ένα (1) έτος από την αρχική ημερομηνία αγοράς του προϊόντος της Thrustmaster).

Κατά παρέκκλιση των παραπάνω, οι επαναφορτιζόμενες μπαταρίες καλύπτονται από περίοδο εγγύησης έξι (6) μηνών από ημερομηνία της αρχικής αγοράς.

Σε περίπτωση που το προϊόν σας φαίνεται να είναι ελαττωματικό κατά την περίοδο της εγγύησης, επικοινωνήστε αμέσως με την Τεχνική υποστήριξη, η οποία θα υποδείξει την διαδικασία που θα ακολουθήσετε. Αν το ελάττωμα επιβεβαιωθεί, το προϊόν πρέπει να επιστραφεί στο σημείο αγοράς του (ή σε οποιοδήποτε άλλο σημείο υποδεικνύει η Τεχνική υποστήριξη).

Στα πλαίσια της εγγύησης, το ελαττωματικό προϊόν του καταναλωτή, με επιλογή της Τεχνικής υποστήριξης, είτε θα αντικατασταθεί είτε θα επιστραφεί και θα είναι σε κατάσταση λειτουργίας. Αν κατά τη διάρκεια της περιόδου εγγύησης το προϊόν της Thrustmaster υπόκειται σε τέτοιου είδους μετασκευή, οποιαδήποτε περίοδος τουλάχιστον επτά (7) ημερών κατά την οποία το προϊόν έχει τεθεί εκτός χρήσης θα προστεθεί στην εναπομένουσα περίοδο εγγύησης (αυτή η περίοδος ισχύει από την ημερομηνία του αιτήματος του καταναλωτή για παρέμβαση ή από την ημερομηνία κατά την οποία το εν λόγω προϊόν διατίθεται για μετασκευή, αν η ημερομηνία κατά την οποία το προϊόν διατίθεται για μετασκευή είναι επακόλουθη της ημερομηνίας του αιτήματος για παρέμβαση). Αν επιτρέπεται από την ισχύουσα νομοθεσία, η πλήρης ευθύνη της Guillemot και των θυγατρικών της (περιλαμβάνονται οι επακόλουθες ζημιές) περιορίζεται στην επιστροφή σε κατάσταση λειτουργίας ή την αντικατάσταση του προϊόντος της Thrustmaster. Αν επιτρέπεται από την ισχύουσα νομοθεσία, η Guillemot αποποιείται κάθε εγγύηση εμπροθεσιμότητας ή καταλληλότητας για τον συγκεκριμένο σκοπό.

Η παρούσα εγγύηση δεν ισχύει: (1) αν το προϊόν έχει τροποποιηθεί, ανοιχτεί, μεταποιηθεί ή υποστεί βλάβη ως αποτέλεσμα ακατάλληλης ή κακής χρήσης, αμέλειας, ατυχήματος, φυσιολογικής φθοράς ή οποιασδήποτε άλλης αιτίας που δεν σχετίζεται με ελάττωμα στο υλικό ή κατασκευαστικό ελάττωμα (συμπεριλαμβανομένων, ενδεικτικά, συνδυάζοντας το προϊόν της Thrustmaster με οποιοδήποτε ακατάλληλο στοιχείο, συμπεριλαμβανομένων συγκεκριμένων παροχών ρεύματος, επαναφορτιζόμενων μπαταριών, φορτιστών ή άλλων στοιχείων που δεν παρέχονται από τη Guillemot για αυτό το προϊόν), (2) σε περίπτωση μη συμμόρφωσης με τις οδηγίες που παρέχονται από την Τεχνική υποστήριξη, (3) για λογισμικό, το εν λόγω λογισμικό υπόκειται σε συγκεκριμένη εγγύηση, (4) για αναλώσιμα (στοιχεία που πρόκειται να αντικατασταθούν από τη διάρκεια ζωής του προϊόντος: για παράδειγμα, μπαταρίες μίας χρήσης, καλύμματα αυτιών για σετ ακουστικών ή ακουστικά), (5) για αξεσουάρ (για παράδειγμα, καλώδια, περιβλήματα, θήκες, τσάντες, λουράκια καρπού), (6) αν το προϊόν πωληθεί σε δημοπρασία.

Η παρούσα εγγύηση δεν μεταβιβάζεται.

Τα νομικά δικαιώματα του καταναλωτή σε σχέση με την ισχύουσα νομοθεσία όσον αφορά την πώληση των καταναλωτικών ειδών στη χώρα του/της που δεν επηρεάζονται από την παρούσα εγγύηση.

ENGLISH

FRAANÇAIS

DEUTSCH

NEDERLANDS

ITALIANO

ESPAÑOL

PORTUGUÉS

РУССКАЯ

ΕΛΛΗΝΙΚΑ

TÜRKÇE

POLSKI

Επιπλέον διατάξεις εγγύησης

Κατά την περίοδο εγγύησης, η Guillemot δεν θα διαθέσει, κατά βάση, κανένα ανταλλακτικό, καθώς Η Τεχνική υποστήριξη είναι ο μόνος συμβαλλόμενος εξουσιοδοτημένος να ανοίξει και/ή να μετασκευάσει οποιοδήποτε προϊόν της Thrustmaster (με εξαίρεση κάθε διαδικασία μετασκευής, την οποία η Τεχνική υποστήριξη μπορεί να ζητήσει να διεξαγει ο καταναλωτής, υπό τη μορφή γραπτών οδηγιών – για παράδειγμα, λόγω της απλούστευσης και της έλλειψης εμπιστευτικότητας της διαδικασίας μετασκευής – και παρέχοντας στον καταναλωτή το απαιτούμενο(α) ανταλλακτικό(ά), όπου είναι εφικτό).

Δεδομένου των κύκλων καινοτομιών και με σκοπό την προστασία της τεχνογνωσίας και των εμπορικών μυστικών, η Guillemot δεν θα παρέχει, κατά βάση, καμία ειδοποίηση περί μετασκευής ή ανταλλακτικών για κανένα προϊόν της Thrustmaster του οποίου η περίοδος εγγύησης έχει λήξει.

Στις Η.Π.Α. και τον Καναδά, η παρούσα εγγύηση περιορίζεται στον εσωτερικό μηχανισμό και το εξωτερικό περίβλημα του προϊόντος. Σε καμία περίπτωση η Guillemot ή η θυγατρικές της δεν φέρουν ευθύνη σε οποιονδήποτε τρίτο για κάθε επακόλουθη ή τυχαία ζημιά που προκύπτει από το παράπτωμα οποιασδήποτε ρητής ή σιωπηρής εγγύησης. Μερικές Πολιτείες/Επαρχίες δεν επιτρέπουν περιορισμό στο πόσον καιρό διαρκεί μια σιωπηρή εγγύηση ή η εξαίρεση ή περιορισμένη ευθύνη για επακόλουθες ή τυχαίες ζημιές, ώστε οι παραπάνω περιορισμοί ή εξαιρέσεις ενδέχεται να μην ισχύουν για εσάς. Η παρούσα εγγύηση σας παρέχει συγκεκριμένα νομικά δικαιώματα, και επίσης ενδέχεται να έχετε κι άλλα δικαιώματα που ποικίλουν από Πολιτεία σε Πολιτεία ή από Επαρχία σε Επαρχία.

Ευθύνη

Αν επιτρέπεται από την ισχύουσα νομοθεσία, η Guillemot Corporation S.A. (εφεξής "Guillemot") και οι θυγατρικές της αποποιούνται κάθε ευθύνης για οποιαδήποτε ζημιά προκαλείται από ένα ή περισσότερα από τα ακόλουθα: (1) το προϊόν έχει τροποποιηθεί, ανοιχτεί ή μεταποιηθεί, (2) αποτυχία ως προς τη συμμόρφωση με τις οδηγίες συναρμολόγησης, (3) ακατάλληλη ή κακή χρήση, αμέλεια, ατύχημα (για παράδειγμα, πρόσκρουση), (4) φυσιολογική φθορά. Αν επιτρέπεται από την ισχύουσα νομοθεσία, η Guillemot και οι θυγατρικές της αποποιούνται κάθε ευθύνης για οποιαδήποτε ζημιά δεν σχετίζεται με λάθος στο υλικό ή την κατασκευή αναφορά με το προϊόν (συμπεριλαμβάνεται, ενδεικτικά, οποιαδήποτε ζημιά προκαλείται άμεσα ή έμμεσα από οποιοδήποτε λογισμικό ή από συνδυασμό του προϊόντος της Thrustmaster με κάθε ακατάλληλο στοιχείο, συμπεριλαμβανομένων συγκεκριμένων παροχών ρεύματος, επαναφορτιζόμενων μπαταριών, φοριστών ή άλλων στοιχείων που δεν παρέχονται από την Guillemot για αυτό το προϊόν).

THRUSTMASTER®

ΤΕΧΝΙΚΉΣ ΥΠΟΣΤΉΡΙΞΗΣ

<http://ts.thrustmaster.com>



ΠΝΕΥΜΑΤΙΚΑ ΔΙΚΑΙΩΜΑΤΑ

© 2015 Guillemot Corporation S.A. Με την επιφύλαξη παντός δικαιώματος. Η ονομασία Thrustmaster® είναι εμπορικό σήμα κατατεθέν της Guillemot Corporation S.A.

Με άδεια πώλησης σε Ευρώπη, Αφρική, Μέση Ανατολή, Ρωσία, Ινδία και Ωκεανία. Για χρήση μόνο με PlayStation®3 και PlayStation®4.

Τα λογότυπα «PS3» και «ΔΟΧΟ» είναι εμπορικά σήματα της Sony Computer Entertainment Inc. Το λογότυπο «PS4» είναι εμπορικό σήμα κατατεθέν της ίδιας εταιρείας. Με την επιφύλαξη παντός δικαιώματος.

Όλα τα υπόλοιπα εμπορικά σήματα αποτελούν ιδιοκτησία των αντίστοιχων κατόχων τους. Οι εικόνες δεν είναι δεσμευτικές. Τα περιεχόμενα, τα σχέδια και οι προδιαγραφές υπόκεινται σε αλλαγές χωρίς προειδοποίηση και μπορεί να διαφέρουν από χώρα σε χώρα. Κατασκευάζεται στην Κίνα.

Η τεχνολογία TouchSense® παρέχεται με άδεια χρήσης από την Immersion Software Ireland Limited. Προστατεύεται από μία ή περισσότερες πατέντες στις ΗΠΑ που υπάρχει στην παρακάτω διεύθυνση: www.immersion.com/patent-marking.html, και άλλες πατέντες που εκκρεμούν.

Κατασκευάζεται και διανέμεται από τη Guillemot Corporation S.A.

ΣΥΣΤΑΣΗ ΠΡΟΣΤΑΣΙΑΣ ΠΕΡΙΒΑΛΛΟΝΤΟΣ



Στην Ευρωπαϊκή Ένωση: Στο τέλος της ωφέλιμης διάρκειας ζωής, το παρόν προϊόν δεν πρέπει να απορρίπτεται με τα τυπικά οικιακά απορρίμματα, αλλά να απορρίπτεται σε σημείο συλλογής απόρριψης ηλεκτρικού και ηλεκτρονικού εξοπλισμού για ανακύκλωση.

Το παρόν επιβεβαιώνεται με το σύμβολο που υπάρχει στο προϊόν, στο εγχειρίδιο χρήσης ή στη συσκευασία.

Ανάλογα με τα χαρακτηριστικά τους, τα υλικά μπορούν να ανακυκλωθούν. Μέσω της ανακύκλωσης και άλλων μορφών επεξεργασίας απόρριψης ηλεκτρικού και ηλεκτρονικού εξοπλισμού, μπορείτε να συμβάλετε σημαντικά

στην προστασία του περιβάλλοντος. Επικοινωνήστε με τις τοπικές αρχές για το πλησιέστερο σε εσάς σημείο συλλογής.

Για όλες τις υπόλοιπες χώρες: Να τηρείτε τους τοπικούς νόμους περί ανακύκλωσης του ηλεκτρικού και ηλεκτρονικού εξοπλισμού.

Κρατήστε αυτές τις πληροφορίες. Τα χρώματα και τα διακοσμητικά ενδέχεται να ποικίλουν.

Τα πλαστικά εξαρτήματα σύνδεσης και τα αυτοκόλλητα υλικά πρέπει να αφαιρούνται από το προϊόν πριν τη χρήση του.

www.thrustmaster.com

*Ισχύει μόνο σε ΕΕ και Τουρκία


immersion.

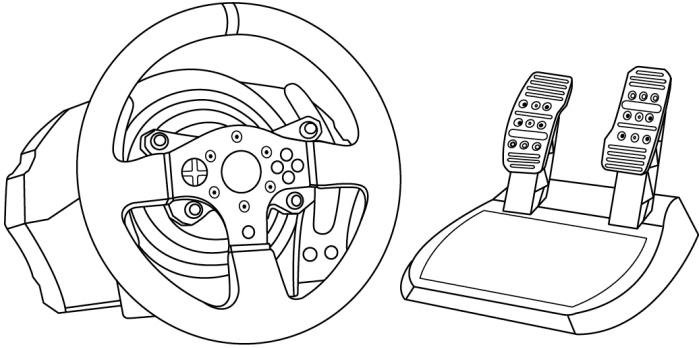




T150

FORCE FEEDBACK

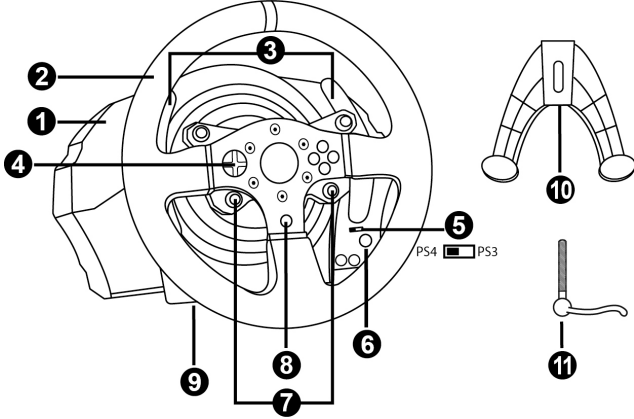
Kullanma Kılavuzu



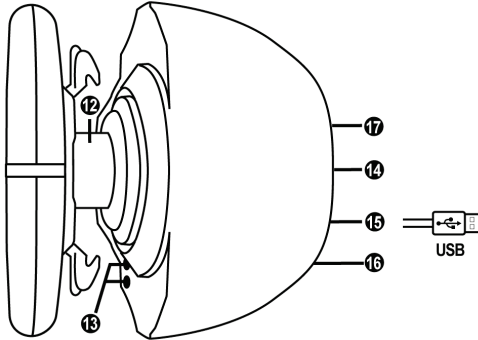
UYARI:

T150 yarış direksiyonunuzun oyunlarla düzgün çalışmasını sağlamak için, oyunların otomatik güncellemelerini yüklemeniz gerekebilir
(sisteminiz *İnternete* bağlıyken yapılabilir).

TEKNİK ÖZELLİKLER



- 1 T150 tabanı
- 2 Direksiyon
- 3 2 direksiyondan kumandalı sıralı vites (Up ve Down)
- 4 Çok yönlü D-Ped
- 5 Dahili PS4™/PS3™ USB düğmesi
- 6 MODE düğmesi + kırmızı/yeşil gösterge lambası
- 7 PS3™'de SELECT/START düğmeleri ve PS4™'te SHARE/OPTIONS düğmeleri
- 8 PS düğmesi
- 9 Büyük dişli delik (montaj sistemi ve sabitleme vidası için)
- 10 Montaj sistemi
- 11 Metal bağlantı vidası



- 12 Direksiyon mili
- 13 L3/R3 düğmeleri
- 14 Güç kablosu veya Güç kaynağı konektörü (ülkeden ülkeye farklılık gösterir)
- 15 Yarış direksiyonu USB kablosu ve konektörü
- 16 Vites kutusu konektörü (vites kutusu ayrı olarak satılır)
- 17 Pedal seti konektörü

YARIŞ DİREKSİYONUNUN ELEKTRİK PRİZİNE TAKILMASI: LÜTFEN DEVAM ETMEDEN ÖNCE OKUYUN!

Yarış direksiyonunuzun güç beslemesi cihazınızı aldığınız ülkeye göre değişir.

Sadece Avrupa versiyonları

Önemli not: T150'nin Avrupa versiyonu doğrudan yarış direksiyonunun tabanında bulunan bir dahili güç kaynağı ile donatılmıştır.

Avrupa versiyonu yalnızca 220V ile beslenmelidir!
Yarış direksiyonunu tabanını asla açmayın – elektrik çarpması tehlikesi!



CAUTION
RISK OF ELECTRIC SHOCK!
DO NOT OPEN!
ATTENTION
RISQUE DE CHOC ELECTRIQUE !
NE PAS OUVRIR !



Power Supply
220~240V 50Hz 0.8A

- Yarış direksiyonunun elektrik fişini 220 V'luk bir prize takın.

Diğer versiyonlar (Avrupa olmayan)

Not: Avrupa versiyonundan farklı olarak Avrupa olmayan T150'de bir harici güç kaynağı bulunur; yarış direksiyonu ile birlikte özel bir aygıt verilir.

- Harici adaptörü yarış direksiyonunun arka kısmında bulunan ilgili konektöre bağlayın, daha sonra harici şebeke elektriği adaptörünü aynı gerilime sahip standart bir elektrik prizine takın.

ENGLISH

FRAÇAIS

DEUTSCH

NEDERLANDS

ITALIANO

ESPAÑOL

PORTUGUÉS

РУССКИЙ

EAHHHKA

TÜRKÇE

POLSKI

UYARILAR

Bu ürünü kullanmadan önce lütfen bu kılavuzu dikkatlice okuyun ve daha sonra başvurma ihtiyacı duymanız halinde kullanmak üzere güvenli bir yerde saklayın.



Uyarı - Elektrik çarpması

- * Ürünü kuru bir yerde saklayın ve toza veya güneş ışığına maruz bırakmayın.
- * Konektörleri ve kabloları bükmeyin ve çekmeyin.
- * Ürünün veya konektörlerinin üzerine herhangi bir sıvı dökmeyin.
- * Ürünü kısa devre yapmayın.
- * Ürünü asla parçalarına ayırmayın, ateşe atmayın ve yüksek sıcaklıklara maruz bırakmayın.
- * Yarış direksiyonunuzla verilen elektrik kablosunun dışında elektrik kablosu kullanmayın.
- * Kablo veya fişi hasarlı, yarık veya kırıkta elektrik kablosunu kullanmayın.
- * Elektrik kablosunun prize ve yarış direksiyonu tabanının arka kısmında bulunan konektöre düzgün bir şekilde takıldığından emin olun.
- * Yarış direksiyonunun içini açmayın: İçinde kullanıcı tarafından bakım/onarım yapılabilecek parça yoktur. Tüm onarım işlemleri üretici firma, yetkili temsilcisi veya kalifiye teknisyen tarafından yapılmalıdır.
- * Sadece üretici tarafından belirtilmiş olan montaj sistemlerini/aksesuarları kullanın.
- * Yarış direksiyonu beklenmeyen şekilde çalışıyorsa (anormal sesler, ısı veya koku yayıyorsa) direksiyonu kullanmayı derhal kesin, elektrik kablosunu prizden çekin ve diğer kabloları ayırın.
- * Yarış direksiyonunu uzun süre kullanmayacaksınız elektrik kablosunu duvar prizinden çekin.



Havalandırma delikleri

Yarış direksiyonunun tabanı üzerindeki hiçbir havalandırma deliğini bloke etmediğinizden emin olun. Optimum havalandırma için aşağıdaki noktalara dikkat edin:

- * Direksiyon tabanını tüm duvar yüzeylerinden en az 10 cm uzağa yerleştirin.
- * Tabanı dar yerlere yerleştirmeyin.
- * Tabanı örtmeyin.
- * Havalandırma deliklerinin üzerinde toz birikmesine izin vermeyin.



Güvenlik nedeniyle pedal setini asla çıplak ayaklarla veya ayağınıza sadece çorap giyerek oynamayın.

THRUSTMASTER® PEDAL SETİNİN AYAKKABISIZ KULLANILMASINDAN KAYNAKLANAN YARALANMALARDA HİÇBİR SORUMLULUK KABUL ETMEZ.



Uyarı - Force Feedback ve tekrarlanan hareketlerden dolayı yaralanma

Force Feedback direksiyonla oynamak kas veya eklem ağrısına neden olabilir. Her türlü sorunu önlemek için:

- * Uzun oyun periyotlarından sakının.
- * Her oyun saatinden ardından 10 ila 15 dakika ara verin.
- * Ellerinizde, bileklerinizde, kollarınızda, ayaklarınızda veya bacaklarınızda yorgunluk veya ağrı hissederseniz oynamayı kesin ve yeniden oynamaya başlamadan önce birkaç saat dinlenin.



Uyarı - Force Feedback ve tekrarlanan hareketlerden dolayı yaralanma (devamı)

- * Yeniden oynamaya başladığınızda yukarıda belirtilen semptomlar veya ağrı tekrar ederse oynamayı kesin ve bir doktora başvurun.
- * Çocukların ulaşabileceği yerlerden uzak tutun.
- * Oyun oynarken kollarınızı, tamamen gitmesine izin vermeden daima yarış direksiyonunun üzerinde doğru konumlandırılmış olarak bırakın.
- * Oyun oynarken asla ellerinizi veya parmaklarınızı pedalların altına ya da pedal setine yakın yerlere koymayın.
- * Kalibrasyon ve oyun sırasında asla elinizi veya kolunuzu yarış direksiyonundaki deliklere sokmayın.
- * Yarış direksiyonu tabanının bu kılavuzda belirtildiği gibi düzgün bir şekilde sabitlendiğinden emin olun.

AĞIR ÜRÜN



Sadece 14 yaş ve üzeri kullanıcılar tarafından kullanılabilir ürün



Ürünü kendinizin veya başkalarının üzerine düşürmemeye dikkat edin!

DAİMA



ASLA



ASLA





Uyarı - Oynarken pedal seti sıkıştırma tehlikesi

- * Pedal setini çocukların ulaşabileceği yerlerden uzak tutun.
- * Oyun oynarken parmaklarınızı asla pedalların yanlarına veya yakın yerlere koymayın.
- * Oyun oynarken parmaklarınızı asla pedalların arka tabanı üzerine veya yakın yerlere koymayın.
- * Oyun oynarken parmaklarınızı asla pedalların ön tabanı üzerine veya yakın yerlere koymayın.



Uyarı - Oynamıyorken pedal seti sıkıştırma tehlikesi

- * Pedal setini güvenli ve çocukların ulaşamayacağı bir yerde saklayın.

YARIŞ DİREKSİYONUNUZUN DONANIM YAZILIMINI GÜNCELLEME

Yarış direksiyonunuzun tabanında bulunan donanım yazılımı ürün geliştirmeleri içeren daha yeni sürümlere güncellenebilir.

Yarış direksiyonunuzun halihazırda kullandığı donanım yazılımı sürümünü görmek ve gerektiğinde güncellemek için: PC'de <http://ts.thrustmaster.com> adresine gidin. **Updates and Downloads** kısmında **PlayStation® / Wheels / T150** seçeneklerine tıklayın, ardından **Driver/Firmware** eçeneğini seçerek indirme ve kurulum işlemini anlatan talimatları izleyin.

Önemli not:

PC'de yarış direksiyonu tabanının üzerinde bulunan USB seçim düğmesi (5) daima PS3™ seçişyonuna ayarlanmış olmalıdır.

PEDAL EĐİMİNİN AYARLANMASI

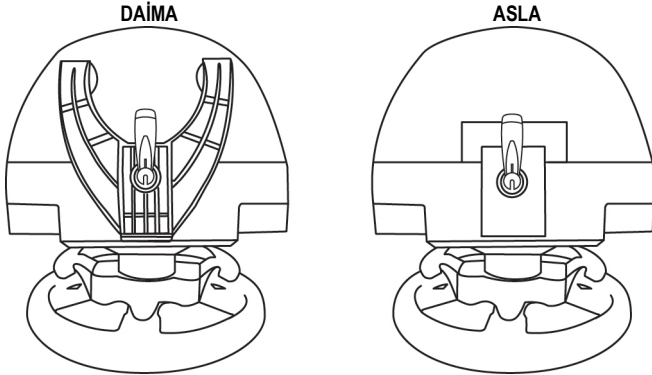
Pedal eđimi ayarlanabilir.

Her pedal için ayar talimatları <http://ts.thrustmaster.com> adresinde mevcuttur. **Updates and Downloads** kısmında, **PlayStation® / Wheels / T150**'ye tıklayın, ardından **Manual/Help file**'i seçin.

YARIŐ DİREKSİYONUNUN MONTE EDİLMESİ

Yarıő direksiyonunun bir sehpa veya masaya monte edilmesi

1. Yarıő direksiyonunu bir masa veya yatay, düz ve sađlam bir yüzeye yerleřtirin.
2. Bađlantı vidasını (11) montaj sistemine takın (10) ve direksiyon tamamen sabitlenene dek bađlantı vidasını saatin aksi yönünde sıkarak, yarıő direksiyonunu altındaki büyük diőli deliđe (9) geçirin.



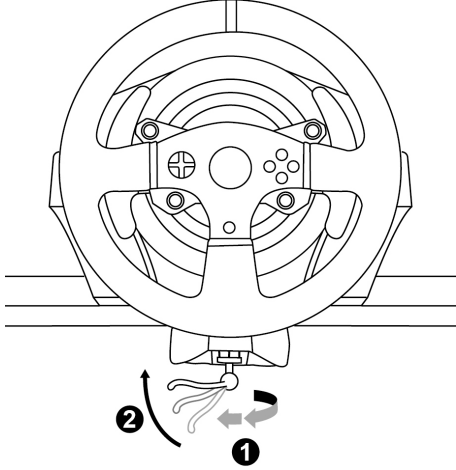
UYARI: Vidayı, montaj sistemi olmadan asla tek başına sıkmayın!
(Yarıő direksiyonuna zarar verebilir.)

MONTE ETME /
SÖKME

YÖN

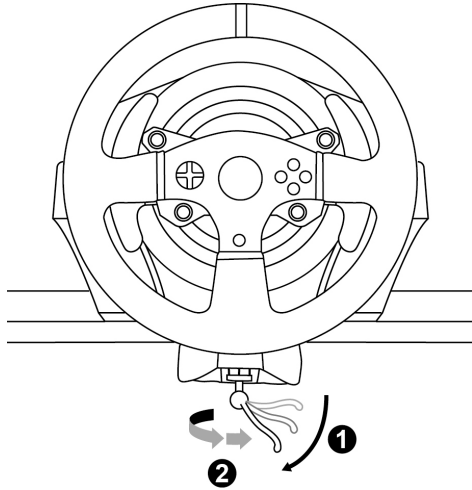
Sıkmak için:

*Vidayı saatin aksi
yönünde çevirin*



Gevşetmek için:

*Vidayı saat yönünde
çevirin*



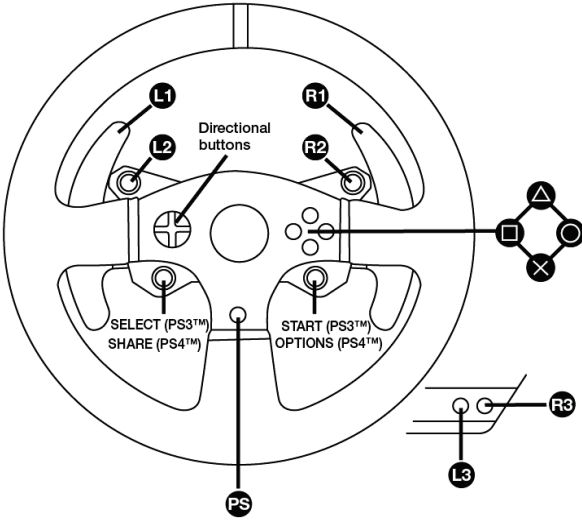
Pedal setini kokpite monte etme

1. Pedal setini, altında bulunan küçük vida deliklerini kullanarak monte edin.
2. İki adet M6 vidayı (ürünle verilmez) kokpit rafından geçirin ve pedal setinin altında bulunan iki küçük vida deliğine takın.

Önemli: İki M6 vidanın boyu raf kalınlığı 10 mm'yi geçmemelidir; daha uzun vidalar pedal setinde bulunan dahili bileşenlere zarar verebilirler.

Kokpitler için yerleşim diyagramları (yarış direksiyonunun tabanını ve/veya pedal setini konumlandırmak için) <http://ts.thrustmaster.com> adresinde, Updates and Downloads kısmına gelerek PlayStation® / Wheels / T150'ye tıklayın, ardından Manual/Help file'i seçin.

PLAYSTATION®3 VE PLAYSTATION®4 DÜĞME YERLEŞİMİ



YARIŞ DİREKSİYONUNUN PLAYSTATION®3 VEYA PLAYSTATION®4 İÇİN AYARLANMASI

1. Pedal setini, yarış direksiyonu tabanının arka kısmında bulunan konektöre (17) bağlayın.
2. Elektrik kablosunu, yarış direksiyonu tabanının arka kısmında bulunan konektöre (14) bağlayın.
3. Elektrik kablosunu aynı voltaj özelliklerine sahip bir prize takın.



Bununla ilgili daha fazla bilgi için lütfen bu kılavuzun 3. sayfasındaki YARIŞ DİREKSİYONUNUN ELEKTRİK PRİZİNE TAKILMASI kısmına bakın.

4. Yarış direksiyonunun tabanındaki USB seçim düğmesini, kullandığınız sistem veya oyuna göre PS3™ veya PS4™ konumuna alın.
5. Yarış direksiyonunun USB konektörünü (15) sistemin USB portlarından birine bağlayın.
6. Sisteminiz açıldığında yarış direksiyonunuz otomatik olarak kendini kalibre edecektir.
7. PlayStation®4'de (USB seçim düğmesi PS4™ konumundayken): Yarış direksiyonunun PS düğmesine (8) basın ve direksiyonu kullanabilmek için oyuncu profilinize Sony Entertainment Network giriş yapın.

Artık oynamaya hazırsınız!

Önemli notlar:

- Direksiyonun USB kablosunu sisteme bağlamadan önce yarış direksiyonunun tabanındaki USB seçim düğmesi (5) uygun konuma (PS3™ veya PS4™) alınmış olmalıdır. Seçim düğmesinin konumunu değiştirmek için USB kablosunu sistemden ayırın ve ardından USB kablosunu sisteme tekrar bağlamadan önce düğmenin konumunu değiştirin.
- PlayStation®3'de USB seçim düğmesi (5) daima PS3™ konumunda olmalıdır.
 - * Direksiyon çoğu oyunda T500 RS direksiyon şeklinde tanınır.
 - * Direksiyon uyumlu oyunlarda ve sistem menülerinde çalışır.
 - * "PS" fonksiyonu direksiyonda çalışır.
- PlayStation®4'de, USB seçim düğmesi (5) PS3™ konumundayken:
 - * Direksiyon çoğu oyunda T500 RS direksiyon şeklinde tanınır.
 - * Direksiyon uyumlu oyunlarda çalışır ancak sistem menülerinde çalışmaz.
 - * "SHARE" ve "PS" fonksiyonu direksiyonda çalışmaz.
- PlayStation®4'de, USB seçim düğmesi (5) PS4™ konumundayken:
 - * Direksiyonu kullanabilmek için yarış direksiyonunun PS düğmesine (8) basmayı unutmayın.
 - * Direksiyon çoğu oyunda T300 RS veya T150 direksiyon şeklinde tanınır.
 - * Direksiyon uyumlu oyunlarda ve sistem menülerinde çalışır.
 - * "SHARE" ve "PS" fonksiyonu direksiyonda çalışır.
- T150 ile uyumlu PlayStation®3 ve PlayStation®4 oyunlarının listesi (oynanan oyuna göre USB seçim düğmesinin (5) olması gereken konumu ile birlikte) şu adreste mevcuttur:

<http://ts.thrustmaster.com> (Updates and Downloads kısmında,
PlayStation® / Wheels / T150'ye tıklayın).

Bu liste düzenli olarak güncellenir.

PC İÇİN YARIŞ DİREKSİYONU KURULUMU*

*PC uyumluluğu Sony Computer Entertainment Europe tarafından tasdik edilmemektedir.

Önemli not:

PC'de yarış direksiyonu tabanının üzerinde bulunan USB seçim düğmesi (5) daima PS3™ pozisyonuna ayarlanmış olmalıdır.

1. <http://ts.thrustmaster.com> adresine giderek PC için sürücülerini ve Force Feedback yazılımını indirin. Updates and Downloads kısmında, PC / Wheels / T150'ye tıklayın, ardından Drivers'ı seçin.

2. İndirme tamamlandığında kurulumu başlatın ve ekrandaki talimatları izleyerek direksiyonun USB yakını bilgisayarınıza bağlayın ve kurulumu tamamlayın.

3. Kurulum tamamlandığında Finish düğmesine tıklayın ve bilgisayarınızı yeniden başlatın.

4. Başlat / Tüm Programlar / Thrustmaster / FFB Racing Wheel / Control Panel'i seçerek Oyun Kumandaları penceresini açın.

Oyun Kumandaları penceresi, yarış direksiyonunun adını (T150 Racing Wheel) Tamam durumunda gösterir.

5. T150 kontrol panelinde direksiyonunuzu ayarlamak için Özellikler'e tıklayın:

- Test Input (Giriş Testi) sekmesi: PC oyunlarında eylem düğmelerini, yön düğmelerini, direksiyonu ve pedal eksenlerini test etmenizi ve görüntülemenizi, direksiyonun dönüş açısını ayarlamayı sağlar.
- Test Forces (Güç Testi) sekmesi: 12 force feedback efektini test etmenizi sağlar.
- Gain Settings (Kazanç Ayarları) sekmesi: PC oyunlarınızda force feedback efektlerinin gücünü ayarlamayı sağlar.

Artık oynamaya hazırsınız!

Genel notlar:

- PC'de oyunu başlatmadan önce Tamam'a tıklayarak Oyun Kumandaları penceresini kapatın.
- PC'de Oyun Kumandaları penceresinde yapılan ayarlar sadece bilgisayarınıza kaydedilir (bu nedenle PlayStation®3 veya PlayStation®4'te etkisi yoktur).
- Direksiyonunuzun donanım yazılımı sürümü T150 kontrol panelinin sekmelerinde sağ üst köşede gösterilir.

ENGLISH

FRANÇAIS

DEUTSCH

NEDERLANDS

ITALIANO

ESPAÑOL

PORTUGUÊS

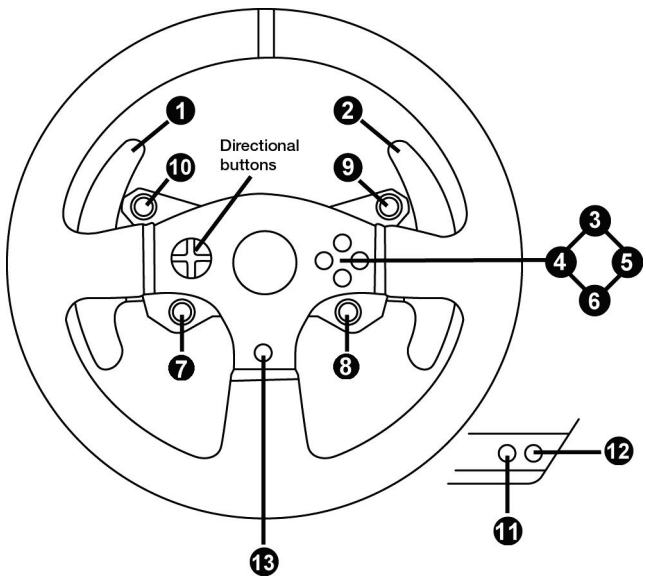
РУССКИЙ

ΕΛΛΗΝΙΚΑ

TÜRKÇE

POLSKI

PC EŞLEŞTİRMESİ



OTOMATİK YARIŞ DİREKSİYONU VE PEDAL SETİ KALİBRASYONU

Yarış direksiyonunu elektrik prizine ve yarış direksiyonunun USB konektörünü PlayStation®3 veya PlayStation®4 sistemine bağladığınızda yarış direksiyonu kendini otomatik olarak kalibre eder.

Bu aşamada yarış direksiyonu, 1080 derecelik bir açığı kaplayıp merkezde durmadan önce sola ve sağa doğru hızlı bir şekilde döner.



UYARI:

Otomatik kalibrasyon aşamasında yarış direksiyonuna asla dokunmayın.
(Hatalı kalibrasyona ve/veya yaralanmalara neden olabilir.)

OTOMATİK PEDAL SETİ KALİBRASYONU

Sisteme bağlıyken veya oyun sırasında pedal setini asla yarış direksiyonu tabanına bağlamayın (veya tabandan ayırmayın) (hatalı kalibrasyona neden olabilir).

Pedal setini daima yarış direksiyonunu sisteme bağlamadan önce bağlayın.

Yarış direksiyonunun kalibrasyonu tamamlandığında ve oyun başlatıldığında pedallar, bir kaç basma sonunda otomatik olarak kalibre edilirler.



UYARI:

Yarış direksiyonunun otomatik kalibrasyonu aşamasında veya oyun yüklenirken asla pedallara basmayın.
(Hatalı kalibrasyona neden olabilir)

Yarış direksiyonu ve/veya pedal seti düzgün çalışmıyorsa veya düzgün kalibre edilmemiş gibi gözüküyorsa:

Sisteminizi kapatın ve yarış direksiyonunuzun tamamen ayırın. Tüm kabloları (elektrik kablosu ve pedal seti dahil) tekrar bağlayın, ardından sisteminizi ve oyununuzu yeniden başlatın.

MOD DÜĞMESİ VE GÖSTERGE LAMBASI (6)

Pedal seti MOD düğmesi

T150 ile gelen pedal seti 2 pedala sahiptir.

Bu pedal setini kullanırken gösterge lambasının kırmızı renkte yanık kaldığından emin olun, aksi takdirde gaz pedalı düzgün çalışmaz.

T150, Thrustmaster'ın 3 pedal içeren pedal setleriyle (*ayrı olarak satılır*) de uyumludur; bunlar, gaz ve debriyaj pedallarını elektronik olarak değiştirmenizi sağlar.

Bunu yapmak için MOD düğmesine (6) 2 saniye süreyle basın.

Yarış direksiyonunun dahili hafızası pedalların değiştirilip değiştirilmediğini kaydeder.

| GAZ VE DEBRİYAJ PEDALLARI | MOD gösterge lambasının (6) rengi |
|---------------------------|-----------------------------------|
| NORMAL | KIRMIZI |
| DEĞİŞTİRİLDİ | YEŞİL |

MOD düğmesi için diğer ipuçları

MOD düğmesi ve gösterge lambası ile ilgili daha fazla bilgi için lütfen <http://ts.thrustmaster.com> adresini ziyaret ederek; **Updates and Downloads** kısmına gelin, **PlayStation® / Wheels / T150**'ye tıklayın, ardından **Manual/Help** file'i seçin.

YARDIM DOSYALARI VE SIK SORULAN SORULAR (BU KILAVUZDA GEÇMEZ)

Lütfen <http://ts.thrustmaster.com> adresini ziyaret ederek **Updates and Downloads** kısmına gelin ve **PlayStation® / Wheels / T150**'ye tıklayın, ardından **Manual/Help** file'i seçin.

TÜKETİCİ GARANTİ BİLGİSİ

İşbu Thrustmaster ürünü, malzeme ve işçilik hatalarına karşı, müşterinin kusurlu ürünün ücretinin iade edilmesi veya değiştirilmesi talebinde bulunabileceği süreye karşılık gelen garanti süresince dünya çapında tescil edilmiş merkezi Place du Granier, B.P. 97143, 35571 Chantepie, Fransa'da bulunan Guillemot Corporation S.A. (bundan sonra "Guillemot" olarak ifade edilecektir) garantisine altındadır. Avrupa Birliği ülkelerinde bu süre, Thrustmaster ürününün tesliminden itibaren iki (2) seneye karşılık gelir. Diğer ülkelerde garanti süresi, Thrustmaster ürünü ile ilgili olarak, Thrustmaster ürününün satın alındığı tarihte müşterinin ikamet ettiği ülkede geçerli yasalara uygun şekilde, müşterinin kusurlu ürünün ücretinin iade edilmesi veya değiştirilmesi talebinde bulunabileceği süreye karşılık gelir (İlgili ülkede bu tür bir düzenleme mevcut değilse garanti süresi Thrustmaster ürününün satın alındığı asıl tarihten itibaren bir (1) yıl olacaktır).

Yukarıdakilere bağlı kalmaksızın, yeniden doldurulabilir piller ilk satın alındıkları tarihten itibaren altı (6) ay boyunca garanti kapsamındadır.

Garanti süresi içinde üründe hata veya kusur tespit edilmesi durumunda derhal izlenecek yöntem ile ilgili size bilgi verecek olan Teknik Destek servisimize başvurun. Hata veya kusur onaylanırsa ürünün satın alındığı yere (ya da Teknik Destek servisi tarafından belirtilen yere) iade edilmesi gerekmektedir.

İşbu garanti kapsamında müşterinin kusurlu ürünü, Teknik Destek servisinin inisiyatifine bağlı olarak, değiştirilecek veya çalışır hale getirilecektir. Garanti süresince Thrustmaster ürününün onarım işlemine tabi tutulması durumunda, ürünün kullanım dışı olduğu en az yedi (7) günlük tüm süreler kalan garanti süresine eklenecektir (bu süre, ürünün onarılması için hazır bulundurulduğu tarih müdahale edilmesi için talepte bulunduğu tarihi takip ediyor ise müşterinin müdahale edilmesi için talepte bulunduğu tarihten veya bahse konu ürünün onarılması için hazır bulundurulduğu tarihten başlar). Yürürlükte olan yasaların izin verdiği durumlarda, Guillemot ve bağlılarının tüm sorumluluğu (dolaylı hasarlar da dahil olmak üzere) Thrustmaster ürününün çalışır hale getirilmesi veya değiştirilmesi ile sınırlıdır. Yürürlükte olan yasaların izin vermesi halinde Guillemot, ticarete elverişlilik veya belirli bir amaca uygunluk ile ilgili tüm garantileri reddeder.

İşbu garanti aşağıdaki durumlar için geçerli değildir: (1) Ürün modifiye edilmişse, açılmışsa, üzerinde değişiklik yapılmışsa, uygunsuz veya kötü kullanım, ihmâl, kaza, normal aşınma ya da malzeme veya üretim hatası ile ilgili olmayan nedenlerden dolayı hasar görmüşse (ancak bununla sınırlı kalmamak üzere, Thrustmaster ürününü herhangi uygun bir elemanla birleştirmek, buna dahil olarak özellikle güç kaynakları, yeniden doldurulabilir piller, şarj cihazları veya bu ürün için Guillemot tarafından tedarik edilmemiş tüm diğer elemanlar); (2) Teknik Destek servisi tarafından sağlanan talimatlara uyulmamışsa; (3) yazılım için, işbu garanti geçerli değildir, söz konusu yazılım için sağlanan özel garanti hükümlerine tabidir; (4) sarf malzemeleri için (ürünün kullanım süresi içinde değiştirilecek elemanlar: örneğin; tek kullanımlık piller, kulaklık yastıkları); (5) aksesuarlar için (örneğin; kablolar, kılıflar, cepler, çantalar, bileklikler); (6) ürün açık artırma ile satılmışsa.

Bu garanti devrolunamaz.

Tüketim mallarının tüketicinin ülkesinde satışına ilişkin tüketicinin yasal hakları işbu garantiden etkilenmemektedir.

Ek garanti hükümleri

Garanti süresince, tüm Thrustmaster ürünlerini açmaya ve/veya onarmaya yetkili tek taraf Teknik Destek Servisi olduğundan prensip olarak Guillemot tarafından hiçbir yedek parça sağlanmayacaktır (Uygulanabilir olması durumunda yazılı talimatlarla ve müşteriye gerekli yedek parça(lar) sağlanarak Teknik Destek Servisinin müşteri tarafından yapılmasını isteyebileceği tüm onarım prosedürleri hariç – örneğin onarım işleminin basit olmasından ve gizlilik içermemesinden dolayı).

İnovasyon döngülerini dikkate almak ve bilgi birikimi ile ticari sırlarını korumak için Guillemot, prensip olarak garanti süresi dolmuş hiç bir Thrustmaster ürünü için onarım bilgisi veya yedek parça sağlamayacaktır.

Amerika Birleşik Devletleri ve Kanada'da bu garanti, ürünün dahili mekanizması ve harici gövdesi ile sınırlıdır. Guillemot veya bağlıları hiçbir durumda, her türlü açık ve zımni garantinin ihlal edilmesinden kaynaklanan tüm dolaylı veya arızı hasarlardan dolayı hiçbir üçüncü tarafa karşı sorumlu tutulamaz. Bazı Eyalet/llerde zımni garantinin ne kadar süre ile geçerli olduğunun sınırlanmasına veya dolaylı veya arızı hasarlara karşı sorumluluk muafiyeti veya sınırlanmasına izin vermez; bu nedenle yukarıda geçen sınırlamalar veya muafiyetler sizin için geçerli olmayabilir. İşbu garanti size yasal haklar sağlamakla olup Eyalet veya İle göre farklılık gösteren başka haklara da sahip olabilirsiniz.

Sorumluluk

Yürürlükte olan yasaların izin vermesi halinde, Guillemot Corporation S.A. (bundan sonra "Guillemot" olarak ifade edilecektir) ve bağlıları aşağıdakilerin biri veya daha fazlasından kaynaklanan her türlü hasara karşı tüm sorumluluğu reddeder: (1) Ürün modifiye edilmişse, açılmışsa, üzerinde değişiklik yapılmışsa; (2) montaj talimatlarına uyulmamışsa; (3) uygunsuz veya kötü kullanım, ihmal, kaza (örneğin bir darbe); (4) normal aşınma. Yürürlükte olan yasaların izin vermesi halinde, Guillemot ve bağlıları ürünle ilgili malzeme veya üretim hatası ile ilgili olmayan her türlü hasara karşı tüm sorumluluğu reddeder (ancak bununla sınırlı kalmamak üzere, herhangi bir yazılımdan veya Thrustmaster ürününün herhangi bir uygun olmayan elemanla birleştirilmesinden doğrudan veya dolaylı olarak kaynaklanan tüm hasarlar, buna dahil olarak özellikle güç kaynakları, yeniden doldurulabilir piller, şarj cihazları veya bu ürün için Guillemot tarafından tedarik edilmemiş tüm diğer elemanlar).

THRUSTMASTER®

TEKNİK DESTEK

<http://ts.thrustmaster.com>



TELİF HAKKI

© 2015 Guillemot Corporation S.A. Tüm hakları saklıdır. Thrustmaster® Guillemot Corporation S.A.'nın tescilli ticari markasıdır.

Avrupa, Afrika, Orta Doğu, Rusya, Hindistan ve Okyanusya'da satılmak üzere lisanslıdır. Yalnızca PlayStation®3 ve PlayStation®4 ile kullanmak için.

"PS", "PlayStation", "PS3" ve "ΔOX□" Sony Computer Entertainment Inc.'in tescilli ticari markalarıdır. "PS4" aynı firmanın ticari markasıdır. Tüm hakları saklıdır.

Diğer tüm ticari markalar ilgili sahiplerine aittir. Fotoğraflar bağlayıcı değildir. İçindekiler, tasarım ve teknik özellikler önceden haber vermeksizin değiştirilebilir ve ülkeden ülkeye farklılık gösterebilir. Çin'de üretilmiştir.

Immersion Software Ireland Limited'dan lisanslı TouchSense® teknolojisi. Şu adreste bulunan ABD patentlerinden biri veya daha fazlası ile korunmuştur: www.immersion.com/patent-marking.html, diğer patentler beklemededir.

Guillemot Corporation S.A. tarafından üretilmekte ve dağıtılmaktadır.

ÇEVRE KORUMA ÖNERİLERİ



Avrupa Birliği'nde: Cihazın kullanım ömrü sona erdiğinde, standart ev atıkları ile atılmamalı, geri dönüşüm için Atık Elektrikli ve Elektronik Cihazların toplandığı bir yere bırakılmalıdır.

Bu, ürünün, kullanım kılavuzunun veya paketin üzerinde bulunan sembol ile onaylanmıştır.

Özelliklerine bağlı olarak malzemeler geri dönüştürülebilir. Atık Elektrik ve Elektronik Cihazların geri dönüşümü veya diğer işleme yöntemleri sayesinde çevrenin korunmasına yönelik önemli bir katkıda bulunabilirsiniz. Size en yakın toplama merkezinde hakkında bilgi almak için lütfen yerel yetkililerle iletişime geçin.

Diğer ülkeler için: Lütfen elektrikli ve elektronik cihazların geri dönüşümü için yerel yasalara uyunuz

AEEE Yönetmeliğine Uygundur.

Bu belgeyi saklayın. Renkler ve süslemeler değişiklik gösterebilir.

Plastik tutturucular ve bantlar, kullanmadan önce üründen çıkarılmalıdır.

www.thrustmaster.com

*Sadece AB ve Türkiye için geçerlidir


immersion.



ENGLISH

FRAÇAIS

DEUTSCH

NERLANDS

ITALIANO

ESPAÑOL

PORTUGUÉS

РУССКАЯ

EAЛHИKA

TÜRKÇE

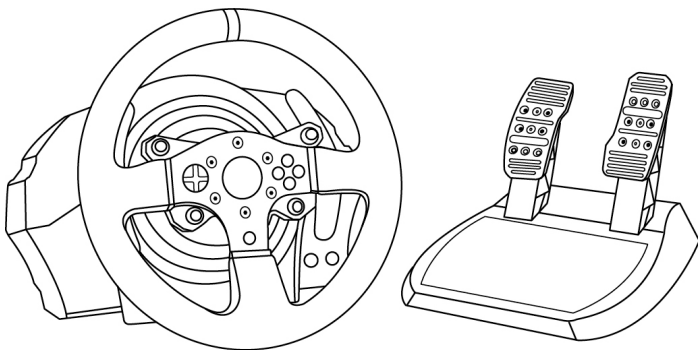
POLSKI



T150

FORCE FEEDBACK

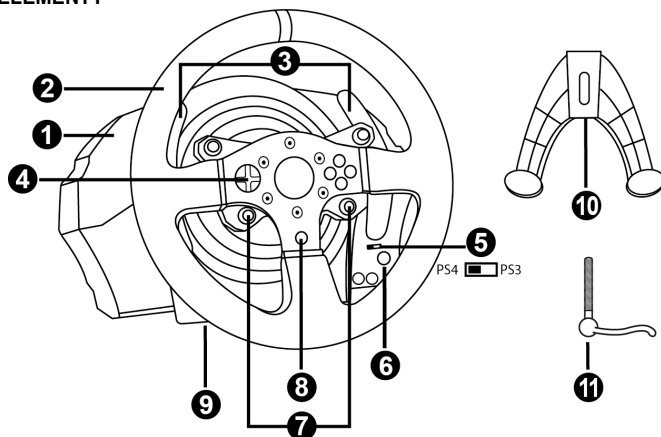
Instrukcja obsługi



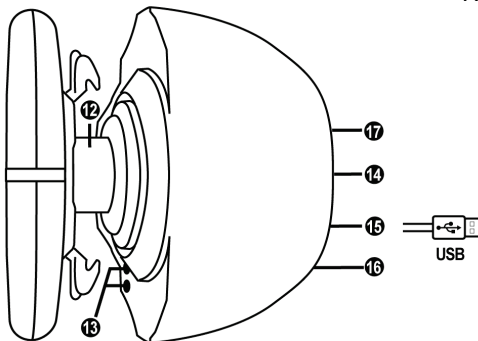
OSTRZEŻENIE:

W celu zapewnienia prawidłowego działania kierownicy T150 w grach może być wymagane zainstalowanie automatycznych aktualizacji gier (dostępnych, gdy system ma połączenie z Internetem).

ELEMENTY



- | | |
|----------------------------------------------------|--------------------------------------------------------------------------|
| 1 Podstawa | 7 Przyciski SELECT/START w systemie PS3™ i SHARE/OPTIONS w systemie PS4™ |
| 2 Kierownica | 8 Przycisk PS |
| 3 2 łopatki sekwencyjnej zmiany biegów (Up i Down) | 9 Duży gwintowany otwór (na element montażowy i śrubę mocującą) |
| 4 Wielokierunkowy d-pad | 10 Element montażowy |
| 5 Wbudowany przełącznik suwakowy USB PS4™/PS3™ | 11 Metalowa śruba mocująca |
| 6 Przycisk MODE + czerwona/zielona kontrolka | |



- | | |
|-----------------------------------------------------------------|--------------------------------------------------------------|
| 12 Oś kierownicy | 15 Kabel kierownicy ze złączem USB |
| 13 Przyciski L3/R3 | 16 Złącze skrzyni biegów (skrzynia biegów do nabycia osobno) |
| 14 Kabel zasilania lub złącze zasilania (w zależności od kraju) | 17 Złącze zestawu pedałów |

PODŁĄCZANIE KIEROWNICY DO GNIAZDA ELEKTRYCZNEGO: PRZECZYTAĆ PRZED WYKONANIEM DAJSZYCH CZYNNOŚCI!

Rodzaj zasilania kierownicy zależy od kraju jej zakupu.

Tylko wersje europejskie

Ważna uwaga: europejska wersja produktu T150 jest wyposażona w zasilacz wewnętrzny, znajdujący się w podstawie kierownicy.

W wersji europejskiej dozwolone jest wyłącznie zasilanie o napięciu 220 V!
Nie wolno otwierać podstawy kierownicy — ryzyko porażenia!



Power Supply
220~240V 50Hz 0.8A

— Podłącz złącze sieciowe kierownicy do gniazda elektrycznego 220 V.

Inne wersje (nieeuropejskie)

Uwaga: w odróżnieniu od europejskiej wersji produktu T150 jego wersje nieeuropejskie są wyposażone w zasilacz zewnętrzny, dostarczany wraz z kierownicą.

— Podłącz zasilacz zewnętrzny do odpowiedniego złącza znajdującego się z tyłu kierownicy, a następnie podłącz zasilacz do zwykłego gniazda elektrycznego o tym samym napięciu.

ENGLISH

FRANÇAIS

DEUTSCH

NEDERLANDS

ITALIANO

ESPAÑOL

PORTUGUÊS

РУССКИЙ

ΕΛΛΗΝΙΚΑ

TÜRKÇE

POLSKI

OSTRZEŻENIA

Zanim rozpoczniesz korzystanie z urządzenia, szczegółowo zapoznaj się z niniejszą instrukcją, a następnie zachowaj ją do wglądu.



Ostrzeżenie — ryzyko porażenia prądem elektrycznym

- * Przechowuj urządzenie w suchym miejscu i nie wystawiaj go na działanie kurzu ani światła słonecznego.
- * Nie skręcaj ani nie naciągaj złączy ani kabli.
- * Nie wylewaj cieczy na urządzenie ani jego złącza.
- * Nie zwieraj urządzenia.
- * Nie demontuj urządzenia, nie wrzucaj go do ognia ani nie narażaj na działanie wysokich temperatur.
- * Nie używaj kabla zasilania innego niż dostarczony z kierownicą.
- * Nie używaj kabla zasilania, jeśli sam kabel lub jego złącza są uszkodzone, pęknięte lub przerwane.
- * Upewnij się, że kabel zasilania jest właściwie podłączony do gniazda elektrycznego i do złącza znajdującego się z tyłu podstawy kierownicy.
- * Nie otwieraj kierownicy: w jej wnętrzu nie ma części przeznaczonych do naprawiania przez użytkownika. Naprawy może wykonywać wyłącznie producent, jego autoryzowany przedstawiciel lub wykwalifikowany serwisant.
- * Korzystaj wyłącznie z elementów montażowych/akcesoriów określonych przez producenta.
- * W przypadku nietypowego działania kierownicy (na przykład gdy wydobywają się z niej dziwne dźwięki, ciepło lub zapachy) natychmiast przestań jej używać, wyciągnij kabel zasilania z gniazda elektrycznego i odłącz pozostałe kable.
- * Jeśli nie zamierzasz korzystać z kierownicy przez dłuższy czas, wyciągnij jej kabel zasilania z gniazda elektrycznego.



Odpowietzniki

Dbaj, aby żaden z odpowietzników w podstawie kierownicy nie był zasłonięty. W celu zapewnienia optymalnej wentylacji przestrzegaj następujących zaleceń:

- * Ustaw podstawę kierownicy w odległości co najmniej 10 cm od wszelkich ścian.
- * Nie umieszczaj podstawy w ciasnych miejscach.
- * Nie przykrywaj podstawy.
- * Nie dopuszczaj do gromadzenia się kurzu w odpowietznikach.



**Ze względów bezpieczeństwa zestawu pedałów nie wolno używać w bosych stopach ani w samych skarpetkach.
FIRMA THRUSTMASTER® NIE PONOSI ŻADNEJ ODPOWIEDZIALNOŚCI
ZA EWENTUALNE OBRAŻENIA CIAŁA WYNIKŁE Z UŻYWANIA
ZESTAWU PEDAŁÓW BEZ OBUWIA.**



Ostrzeżenie — ryzyko obrażeń ciała spowodowanych siłowym sprzężeniem zwrotnym i powtarzającymi się ruchami

Granie przy użyciu kierownicy z siłowym sprzężeniem zwrotnym (Force Feedback) może doprowadzić do bólu mięśni lub stawów. W celu uniknięcia problemów:

- * Unikaj grania przez długi czas.
- * Po każdej godzinie gry rób 10–15 minut przerwy.
- * Jeśli odczuwasz zmęczenie lub ból dłoni, nadgarstków, ramion, stóp albo nóg, przerwij grę, a przed jej ponownym rozpoczęciem odpocznij kilka godzin.



Ostrzeżenie — ryzyko obrażeń ciała spowodowanych siłowym sprzężeniem zwrotnym i powtarzającymi się ruchami (ciąg dalszy)

- * Jeśli po ponownym rozpoczęciu gry opisane powyżej objawy lub ból powrócą, przerwij grę i skonsultuj się z lekarzem.
- * Trzymaj kierownicę z dala od dzieci.
- * Podczas gry zawsze trzymaj obie dłonie we właściwym położeniu na kierownicy bez jej całkowitego puszczania.
- * Podczas gry nigdy nie kładź dłoni ani palców pod pedałami ani w pobliżu zestawu pedałów.
- * Podczas kalibracji i gry nigdy nie przekładaj dłoni ani ramion przez otwory w kierownicy.
- * Sprawdź, czy podstawa kierownicy jest właściwie zamocowana zgodnie ze wskazówkami podanymi w niniejszej instrukcji.

CIĘŻKIE URZĄDZENIE



Urządzenie tylko dla użytkowników powyżej 14 roku życia



Uważaj, aby nie upuścić urządzenia na siebie ani inną osobę!

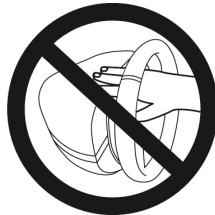
ZAWSZE



NIGDY



NIGDY





Ostrzeżenie — ryzyko przytrzaśnięcia przez pedały podczas gry

- * Trzymaj zestaw pedałów z dala od dzieci.
- * Podczas gry nigdy nie kładź palców na bokach pedałów ani nie zbliżaj ich do tego miejsca.
- * Podczas gry nigdy nie kładź palców na tylnej powierzchni podstawy pedałów ani nie zbliżaj ich do tego miejsca.
- * Podczas gry nigdy nie kładź palców na przedniej powierzchni podstawy pedałów ani nie zbliżaj ich do tego miejsca.

NIGDY



NIGDY



NIGDY



Ostrzeżenie — ryzyko przytrzaśnięcia przez pedały poza grą

- * Przechowuj zestaw pedałów w bezpiecznym miejscu i trzymaj go z dala od dzieci.

AKTUALIZACJA OPROGRAMOWANIA SPRZĘTOWEGO KIEROWNICY

Oprogramowanie zawarte w podstawie kierownicy można zaktualizować do nowszej wersji, zawierającej rozszerzenia różnych funkcji.

Aby wyświetlić wersję oprogramowania sprzętowego, z której obecnie korzysta kierownica, i w razie potrzeby ją zaktualizować, na komputerze wejdź na stronę <http://ts.thrustmaster.com>. W sekcji **Updates and Downloads** kliknij **PlayStation® / Wheels / T150**, następnie wybierz **Driver/Firmware**, a następnie postępuj zgodnie z instrukcją pobierania i instalacji.

Ważna uwaga:

W przypadku komputera PC przełącznik suwakowy USB (5) znajdujący się w podstawie kierownicy musi być zawsze ustawiony w położeniu PS3™.

REGULOWANIE NACHYLENIA PEDAŁÓW

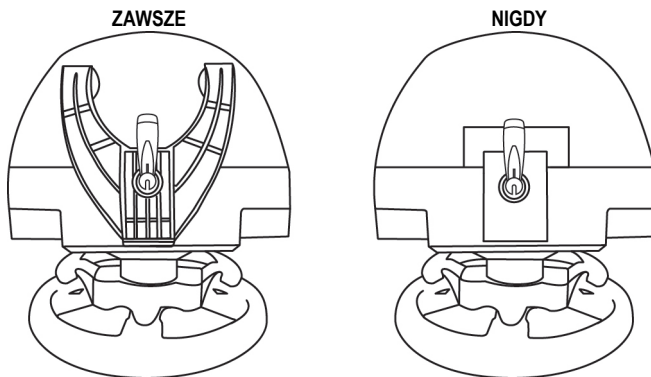
Kąt nachylenia pedałów można regulować.

Instrukcje regulacji poszczególnych pedałów są dostępne na stronie <http://ts.thrustmaster.com>. W sekcji **Updates and Downloads** kliknij **PlayStation® / Wheels / T150**, a następnie wybierz **Manual/Help** file.

MOCOWANIE KIEROWNICY

Mocowanie kierownicy do stołu lub biurka

1. Połóż kierownicę na stole lub innej poziomej, płaskiej i stabilnej powierzchni.
2. Włóż śrubę mocującą (11) w element montażowy (10), a następnie zamocuj urządzenie, wkręcając śrubę przeciwnie do ruchu wskazówek zegara w duży gwintowany otwór (9) znajdujący się pod kierownicą aż do solidnego i stabilnego zamocowania kierownicy.

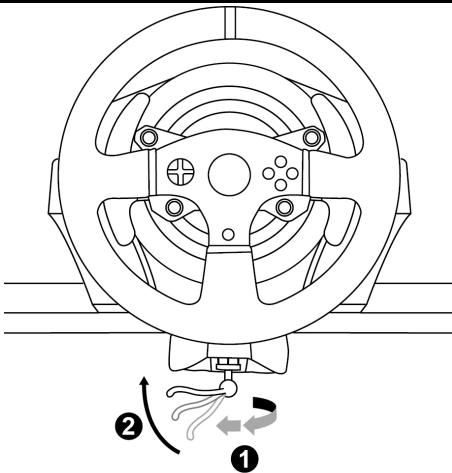


OSTRZEŻENIE: nie wolno wkręcać samej śruby bez elementu montażowego!
(Może to spowodować uszkodzenie kierownicy).

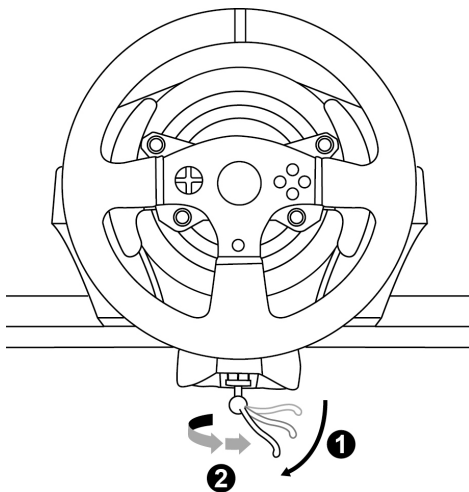
MOCOWANIE/ZDEJMOWANIE

KIERUNEK

Dokręcanie:
Obróć śrubę przeciwnie do ruchu wskazówek zegara



Odkręcanie:
Obróć śrubę zgodnie z ruchem wskazówek zegara

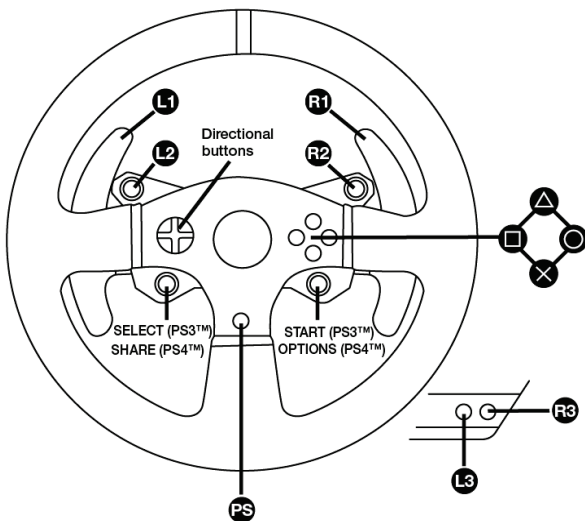


Mocowanie zestawu pedałów do kokpitu

1. Zamocuj zestaw pedałów, korzystając z niewielkich gwintowanych otworów znajdujących się pod zestawem.
2. Wkręć dwie śruby M6 (do nabycia osobno) w półkę kokpitu, a następnie w dwa niewielkie gwintowane otwory znajdujące się pod zestawem pedałów.
Ważne: Długość dwóch śrub M6 nie może przekraczać grubości półki powiększonej o 10 mm. Dłuższe śruby mogą spowodować uszkodzenie elementów wewnętrznych znajdujących się w zestawie pedałów.

Na stronie <http://ts.thrustmaster.com> są dostępne **schematy kokpitów** (ułatwiającej prawidłowe ustawienie podstawy kierownicy i zestawu pedałów). W sekcji **Updates and Downloads** kliknij **PlayStation®/Wheels/T150**, a następnie wybierz **Manual/Help file**.

MAPOWANIE W SYSTEMACH PLAYSTATION®3 I PLAYSTATION®4



KONFIGUROWANIE KIEROWNICY POD KĄTEM SYSTEMU PLAYSTATION®3 LUB PLAYSTATION®4

1. Podłącz zestaw pedałów do złącza (17) znajdującego się z tyłu podstawy kierownicy.
2. Podłącz kabel zasilania do złącza (14) znajdującego się z tyłu podstawy kierownicy.
3. Podłącz kabel zasilania do gniazda elektrycznego o prawidłowym napięciu.



Więcej informacji na ten temat można znaleźć w sekcji **PODŁĄCZANIE KIEROWNICY DO GNIAZDA ELEKTRYCZNEGO na 3 stronie niniejszej instrukcji.**

4. Ustaw wybierak USB (5) znajdujący się w podstawie kierownicy w położeniu PS3™ lub PS4™, w zależności od używanego systemu lub gry.
5. Podłącz złącze USB kierownicy (15) do jednego z portów USB systemu.
6. Po włączeniu zasilania systemu nastąpi automatyczna kalibracja kierownicy.
7. W systemie PlayStation®4 (gdzie wybierak USB znajduje się w położeniu PS4™): naciśnij przycisk PS kierownicy (8) i zaloguj się w swoim profilu gracza Sony Entertainment Network, aby móc korzystać z kierownicy.

Teraz możesz zacząć grać!

Ważne uwagi:

— Zanim kabel USB kierownicy zostanie podłączony do systemu, wybierak USB (5) znajdujący się w podstawie kierownicy należy zawsze ustawić we właściwym położeniu (PS3™ lub PS4™). Chcąc zmienić położenie wybieraka, odłącz kabel USB od systemu, następnie zmień położenie wybieraka, a następnie ponownie podłącz kabel USB do systemu.

— W przypadku systemu PlayStation®3 wybierak USB (5) musi być zawsze ustawiony w położeniu PS3™:

* W większości gier kierownica jest rozpoznawana jako model T500 RS.

* Kierownica działa w zgodnych grach i w menu systemu.

* W kierownicy działa funkcja „PS”.

— W przypadku systemu PlayStation®4, jeśli wybierak USB (5) znajduje się w położeniu PS3™:

* W większości gier kierownica jest rozpoznawana jako model T500 RS.

* Kierownica działa w zgodnych grach, ale nie w menu systemu.

* W kierownicy nie działają funkcje „SHARE” i „PS”.

— W przypadku systemu PlayStation®4, jeśli wybierak USB (5) znajduje się w położeniu PS4™:

* Aby móc korzystać z kierownicy, naciśnij znajdujący się na niej przycisk PS (8).

* W większości gier kierownica jest rozpoznawana jako model T300 RS lub T150.

* Kierownica działa w zgodnych grach i w menu systemu.

* W kierownicy działają funkcje „SHARE” i „PS”.

— *Lista gier do systemów PlayStation®3 i PlayStation®4 zgodnych z kierownicą T150 (wraz z położeniem wybieraka USB (5) wymaganym w poszczególnych grach) jest dostępna na stronie:*

<http://ts.thrustmaster.com> (w sekcji **Updates and Downloads**)

kliknij PlayStation® / Wheels / T150).

Lista jest regularnie aktualizowana.

KONFIGUROWANIE KIEROWNICY POD KĄTEM KOMPUTERA PC*

*Zgodność z komputerem PC nie jest gwarantowana przez firmę Sony Computer Entertainment Europe.

Ważna uwaga:

W przypadku komputera PC przełącznik suwakowy USB (5) znajdujący się w podstawie kierownicy musi być zawsze ustawiony w położeniu PS3™.

1. Wejdź na stronę <http://ts.thrustmaster.com>, aby pobrać sterowniki i oprogramowanie siłowego sprzężenia zwrotnego dla komputera PC. W sekcji Updates and Downloads kliknij PC / Wheels / T150, a następnie wybierz Drivers.

2. Po zakończeniu pobierania uruchom instalację, a następnie zgodnie z instrukcjami wyświetlanymi na ekranie podłącz wtyczkę USB kierownicy do komputera i zakończ instalację.

3. Po zakończeniu instalacji kliknij Finish (Zakończ) i uruchom ponownie komputer.

4. Wybierz Start / All Programs / Thrustmaster / FFB Racing Wheel / Control Panel (Start / Wszystkie programy / Thrustmaster / FFB Racing Wheel / Panel sterowania), aby otworzyć okno Game Controllers (Kontrolery gier).

W oknie Game Controllers (Kontrolery gier) zostanie wyświetlona nazwa kierownicy T150 Racing Wheel ze statusem OK.

5. W panelu sterowania kierownicy T150 kliknij Properties (Właściwości), aby skonfigurować kierownicę:

- Karta Test Input (Testuj wejście) umożliwia testowanie i wyświetlanie przycisków czynności, przycisków kierunkowych oraz osi kierownicy i pedałów, a także regulowanie kąta obrotu kierownicy w grach na komputer PC.
- Karta Test Forces (Testuj siły) umożliwia testowanie 12 efektów siłowego sprzężenia zwrotnego.
- Karta Gain Settings (Ustawienia wzmocnienia) umożliwia regulowanie natężenia efektów siłowego sprzężenia zwrotnego w grach na komputer PC.

Teraz możesz zacząć grać!

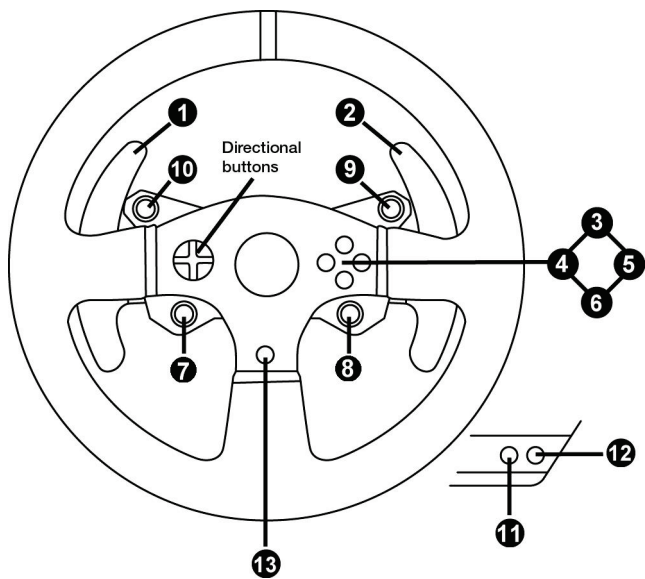
Uwagi ogólne:

— Na komputerze PC przed uruchomieniem gry kliknij OK, aby zamknąć okno Game Controllers (Kontrolery gier).

— W przypadku komputera PC modyfikacje wprowadzone w oknie Game Controllers (Kontrolery gier) są zapisywane tylko na komputerze (a więc nie wpływają na system PlayStation®3 ani PlayStation®4).

— Wersja oprogramowania sprzętowego kierownicy jest wyświetlana w prawym górnym rogu kart panelu sterowania kierownicy T150.

MAPOWANIE NA KOMPUTERZE PC



AUTOMATYCZNA KALIBRACJA KIEROWNICY I ZESTAWU PEDAŁÓW

Kierownica kalibruje się automatycznie po jej podłączeniu do gniazda elektrycznego oraz podłączeniu złącza USB kierownicy do systemu PlayStation®3 lub PlayStation®4. Podczas tej operacji kierownica obraca się szybko w lewo i w prawo (łącznie o 1080 stopni), a następnie zatrzymuje się w położeniu środkowym.



OSTRZEŻENIE:

Podczas automatycznej kalibracji nie wolno dotykać kierownicy!
(Może to doprowadzić do błędów kalibracji i/lub obrażeń ciała).

AUTOMATYCZNA KALIBRACJA ZESTAWU PEDAŁÓW

Zestawu pedałów nie wolno podłączać do podstawy kierownicy (ani odłączać go od podstawy), gdy kierownica jest podłączona do systemu ani w trakcie gry, ponieważ może to doprowadzić do błędów kalibracji.

Zestaw pedałów zawsze podłączaj przed podłączeniem kierownicy do systemu.

Po zakończeniu kalibracji kierownicy i uruchomieniu gry pedały kalibrują się automatycznie po ich kilkukrotnym naciśnięciu.



OSTRZEŻENIE:

Nie wolno naciskać pedałów podczas automatycznej kalibracji kierownicy ani w trakcie ładowania gry!
(Może to doprowadzić do błędów kalibracji).

Jeśli kierownica i zestaw pedałów nie działają prawidłowo lub wydają się niewłaściwie skalibrowane:

Wyłącz system i całkowicie odłącz kierownicę. Następnie podłącz ponownie wszystkie kable (w tym kabel zasilania i zestaw pedałów) oraz uruchom ponownie system i grę.

PRZYCISK I KONTROLKA MODE (6)

Przycisk MODE do zestawu pedałów

Zestaw pedałów dostarczany z kierownicą T150 zawiera 2 pedały.

W trakcie korzystania z zestawu pedałów jego kontrolka powinna świecić na czerwono. W przeciwnym razie pedał gazu nie będzie działał prawidłowo.

Kierownica T150 jest również zgodna z zestawami pedałów Thrustmaster zawierającymi 3 pedały (*do nabycia osobno*). Zestawy te umożliwiają elektroniczną zmianę pedałów przyspieszenia i sprzęgła.

W tym celu należy nacisnąć przycisk MODE (6) i przytrzymać go przez 2 sekundy.

Informacja o tym, czy pedały zostały zamienione miejscami, jest przechowywana w wewnętrznej pamięci kierownicy.

| PEDAŁY GAZU I SPRZĘGŁA | Kolor kontrolki MODE (6) |
|------------------------|--------------------------|
| NORMALNE | CZERWONY |
| ZAMIENIONE | ZIELONY |

Inne wskazówki dotyczące przycisku MODE

Więcej informacji na temat przycisku i kontrolki MODE znajdziesz na stronie <http://ts.thrustmaster.com>. W sekcji **Updates and Downloads** kliknij **PlayStation® / Wheels / T150**, a następnie wybierz **Manual/Help file**.

PLIKI POMOCY I CZĘSTO ZADAWANE PYTANIA (NIEZAMIESZCZONE W NINIEJSZEJ INSTRUKCJI)

Wejźdź na stronę <http://ts.thrustmaster.com>. W sekcji **Updates and Downloads** kliknij **PlayStation® / Wheels / T150**, a następnie wybierz **Manual/Help file**.

INFORMACJE DOTYCZĄCE GWARANCJI DLA KLIENTA

Firma Guillemot Corporation S.A. z siedzibą pod adresem Place du Granier, B.P. 97143, 35571 Chantepie, Francja („Guillemot”) udziela klientowi obowiązującej na całym świecie gwarancji, że niniejszy produkt Thrustmaster będzie wolny od wad materiałowych i produkcyjnych przez okres gwarancji równy limitowi czasu, w którym klient może występować z roszczeniami z tytułu wad niniejszego produktu. W krajach Unii Europejskiej jest to okres dwóch (2) lat od dostarczenia produktu Thrustmaster. W innych krajach okres gwarancji jest równy limitowi czasu, w którym klient może występować z roszczeniami z tytułu wad produktu Thrustmaster zgodnie z przepisami obowiązującymi w kraju, w którym klient mieszkał w dniu zakupu produktu Thrustmaster. (Jeśli przepisy danego kraju nie przewidują występowania z takimi roszczeniami, okres gwarancji będzie wynosił jeden (1) rok od pierwotnej daty zakupu produktu Thrustmaster).

Niezależnie od powyższego akumulatory są objęte sześciomiesięcznym (6-miesięcznym) okresem gwarancji liczoną od daty pierwotnego zakupu.

Jeśli w okresie gwarancji wystąpią objawy mogące świadczyć o wadzie produktu, należy niezwłocznie skontaktować się z działem pomocy technicznej, który wskaże dalszy sposób postępowania. W razie potwierdzenia wady produkt należy zwrócić w punkcie zakupu (lub innym miejscu wskazanym przez dział pomocy technicznej).

W ramach niniejszej gwarancji wadliwy produkt zostanie wymieniony lub przywrócony do stanu sprawności użytkowej, zgodnie z decyzją działu pomocy technicznej. Jeśli w okresie gwarancji produkt Thrustmaster zostanie poddany czynnościom mającym na celu przywrócenie go do stanu użytkowego, dowolny okres co najmniej siedmiu (7) dni, podczas których produkt nie jest użytkowany, zostanie dodany do pozostałego okresu gwarancji (okres ten liczy się od dnia, w którym klient poprosi o interwencję, lub od dnia, w którym dany produkt zostanie udostępniony celem przywrócenia do stanu użytkowego, jeśli data udostępnienia celem przywrócenia do stanu użytkowego następuje po dacie prośby o interwencję). Jeśli zezwała na to obowiązujące prawo, całkowita odpowiedzialność firmy Guillemot i jej podmiotów zależnych (łącznie z odpowiedzialnością za szkody wtórne) ogranicza się do przywrócenia do stanu użytkowego lub wymiany produktu Thrustmaster. Jeśli zezwała na to obowiązujące prawo, firma Guillemot wyłącza wszelkie gwarancje pokupności i przydatności do określonego celu.

Niniejsza gwarancja nie obowiązuje: (1) w przypadku, gdy produkt został zmodyfikowany, otwarty, zmieniony albo uszkodzony na skutek nieodpowiedniego lub nadmiernego użytkowania, niedbałości, wypadku, normalnego zużycia lub z innego powodu niezwiązanego z wadą materiałową ani produkcyjną (w tym między innymi z powodu połączenia produktu Thrustmaster z nieodpowiednim elementem, w tym w szczególności z zasilaczem, akumulatorem, ładowarką lub jakimkolwiek innym elementem niedostarczonym przez firmę Guillemot dla tego produktu); (2) w razie nieprzestrzegania instrukcji podanych przez dział pomocy technicznej; (3) w odniesieniu do oprogramowania, jako że oprogramowanie to jest objęte odrębną szczegółową gwarancją; (4) materiałów eksploatacyjnych (elementów wymienianych w czasie eksploatacji produktu, na przykład baterii jednorazowych, muszli/nakładek na uszy do zestawów słuchawkowych lub słuchawek); (5) akcesoriów (na przykład kabli, pokrowców, etui, torebek, pasków na rękę); (6) w przypadku sprzedania produktu na aukcji publicznej.

Niniejsza gwarancja nie podlega przeniesieniu.

Niniejsza gwarancja nie wpływa na prawa klienta wynikające z przepisów dotyczących sprzedaży dóbr konsumenckich w kraju klienta.

ENGLISH

FRANÇAIS

DEUTSCH

NEDERLANDS

ITALIANO

ESPAÑOL

PORTUGUÊS

РУССКИЙ

ΕΛΛΗΝΙΚΑ

TÜRKÇE

POLSKI

Dodatkowe postanowienia gwarancyjne

W okresie gwarancji firma Guillemot zasadniczo nie udostępni żadnych części zamiennych, ponieważ jedynym podmiotem upoważnionym do otwarcia jakiegokolwiek produktu Thrustmaster i/lub przywrócenia go do stanu użytkowego jest dział pomocy technicznej (oprócz ewentualnych procedur przywracania produktu do stanu użytkowego, o wykonanie których dział pomocy technicznej może poprosić klienta przez przekazanie pisemnych instrukcji — np. ze względu na prostotę i jawność procesu przywracania do stanu użytkowego — oraz, w razie potrzeby, przez udostępnienie klientowi wymaganych części zamiennych).

Ze względu na realizowane cykle innowacji oraz konieczność zapewnienia ochrony swojej specjalistycznej wiedzy i tajemnic handlowych firma Guillemot zasadniczo nie udostępni powiadomień dotyczących przywracania do stanu użytkowego ani części zamiennych w przypadku produktów Thrustmaster, których okres gwarancji upłynął.

W USA i Kanadzie niniejsza gwarancja ogranicza się do wewnętrznych mechanizmów i zewnętrznej obudowy produktu. W żadnym wypadku firma Guillemot ani jej podmioty stowarzyszone nie będą odpowiadać wobec osób trzecich za szkody wtórne ani przypadkowe wynikające z naruszenia jakiegokolwiek gwarancji wyraźnych lub domniemanych. Niektóre stany/prowincje nie zezwalają na ograniczenie czasu trwania gwarancji domniemanych bądź wyłączenie lub ograniczenie odpowiedzialności za szkody wtórne lub przypadkowe, więc powyższe ograniczenia lub wyłączenia mogą Ciebie nie dotyczyć. Niniejsza gwarancja przyznaje Ci określone prawa, a ponadto mogą przysługiwać Ci inne prawa zależnie od stanu lub prowincji.

Odpowiedzialność

Jeśli zezwala na to obowiązujące prawo, firma Guillemot Corporation S.A. („Guillemot”) i jej podmioty zależne nie ponoszą żadnej odpowiedzialności za szkody spowodowane przez co najmniej jeden z następujących czynników: (1) modyfikację lub otwarcie produktu bądź wprowadzenie w nim zmian; (2) nieprzestrzeganie instrukcji montażu; (3) nieodpowiednie lub nadmierne użytkowanie, niedbałość, wypadek (na przykład uderzenie); (4) normalne zużycie. Jeśli zezwala na to obowiązujące prawo, firma Guillemot i jej podmioty zależne nie ponoszą żadnej odpowiedzialności za szkody niezwiązane z wadą materiałową lub produkcyjną produktu (w tym między innymi za szkody spowodowane bezpośrednio lub pośrednio przez jakiegokolwiek oprogramowanie lub na skutek połączenia produktu Thrustmaster z nieodpowiednim elementem, w tym w szczególności z zasilaczem, akumulatorem, ładowarką lub jakimkolwiek innym elementem niedostarczonym przez firmę Guillemot dla tego produktu).

THRUSTMASTER®

WSPARCIE TECHNICZNE

<http://ts.thrustmaster.com>



PRAWA AUTORSKIE

© 2015 Guillemot Corporation S.A. Wszelkie prawa zastrzeżone. Thrustmaster® jest zastrzeżonym znakiem towarowym firmy Guillemot Corporation S.A.

Produkt licencjonowany do sprzedaży na terenie Europy, Afryki, Bliskiego Wschodu, Rosji, Indii i Oceanii. Do użytku wyłącznie z systemami PlayStation®3 i PlayStation®4.

„PS” „PlayStation”, „PS3” i „ΔOX□” są zastrzeżonymi znakami towarowymi firmy Sony Computer Entertainment Inc. „PS4” jest znakiem towarowym tej samej firmy. Wszelkie prawa zastrzeżone.

Wszystkie inne znaki towarowe stanowią własność odpowiednich podmiotów. Ilustracje nie są wiążące prawnie. Treść, wzory i dane techniczne mogą ulec zmianie bez powiadomienia i mogą różnić się w zależności od kraju. Wyprodukowano w Chinach.

Technologia TouchSense® na licencji firmy Immersion Software Ireland Limited. Jest ona chroniona przez jeden lub kilka patentów USA wymienionych na stronie www.immersion.com/patent-marking.html oraz stanowi przedmiot złożonych wniosków patentowych.

Urządzenie wyprodukowane i dystrybuowane przez firmę Guillemot Corporation S.A.

ZALECENIE DOTYCZĄCE OCHRONY ŚRODOWISKA



* Na terenie Unii Europejskiej: gdy okres przydatności produktu do eksploatacji dobiegnie końca, produktu nie należy pozbywać się wraz ze zwykłymi odpadami z gospodarstwa domowego, ale oddać do recyklingu w punkcie zbiórki zużytego sprzętu elektrycznego i elektronicznego. Potwierdza to symbol znajdujący się na produkcie, w instrukcji obsługi lub na opakowaniu.

Zależnie od swoich właściwości materiały zawarte w produkcie mogą nadawać się do recyklingu. Dzięki recyklingowi i innym formom utylizacji zużytych urządzeń elektrycznych i elektronicznych klient może w znacznym stopniu przyczynić się do

ochrony środowiska. Aby uzyskać informacje o najbliższych punktach zbiórki odpadów, należy skontaktować z miejscowymi władzami.

We wszystkich innych krajach: należy przestrzegać miejscowych przepisów dotyczących recyklingu sprzętu elektrycznego i elektronicznego.

Niniejsze informacje należy zachować. Kolorystyka i elementy ozdobne mogą różnić się od przedstawionych.

Przed korzystaniem z produktu należy zdjąć z niego plastikowe elementy mocujące oraz naklejki.

www.thrustmaster.com

**Dotyczy wyłącznie UE i Turcji*


immersion.

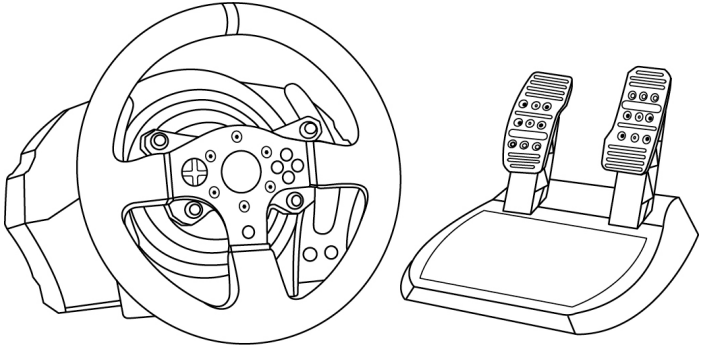




T150

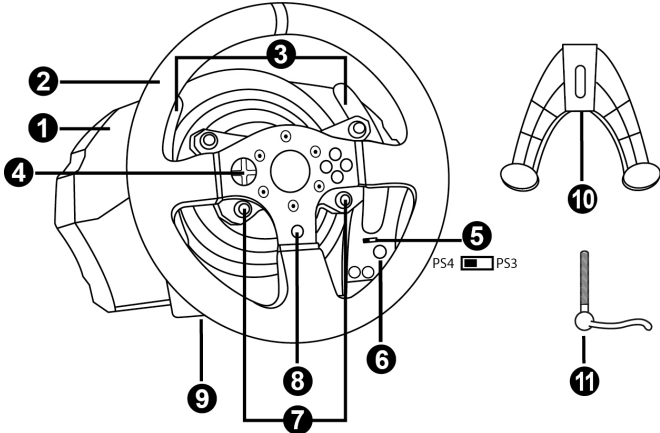
FORCE FEEDBACK

دليل المستخدم

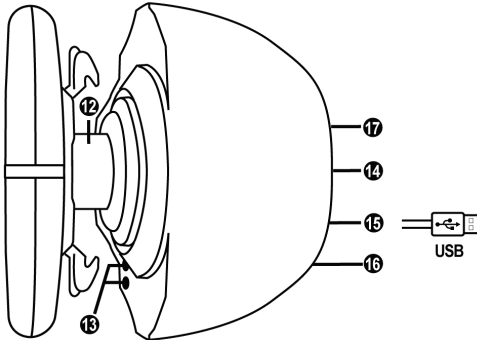


تنبيه:

للتأكد من أن عجلة السباق T150 تعمل بشكل صحيح مع ألعاب، قد يُطلب منك تثبيت التحديثات التلقائية للألعاب (تتوفر عند توصيل النظام في الألعاب بالإنترنت).



- | | | | |
|----|---------------------------------------------------------|---|-------------------------------------------|
| 7 | أزرار SELECT/START على PS3™ و SHARE/OPTIONS على PS4™ | 1 | قاعدة T150 |
| 8 | زر PS | 2 | عجلة |
| 9 | ثقب ملولب كبير (الأداة التركيب وبرغي الربط) | 3 | دواستا نقل السرعة بشكل متبادل (Up & Down) |
| 10 | أداة الربط | 4 | لوحة D متعددة الاتجاهات |
| 11 | برغي تثبيت معدني | 5 | مفتاح منزلق مضمن PS4™/PS3™ /USB |
| | | 6 | زر MODE + مؤشر ضوئي أحمر/أخضر |



- | | |
|----|-------------------------------------------------------|
| 12 | محور توجيه |
| 13 | أزرار L3/R3 |
| 14 | كابل طاقة |
| 15 | كابل وموصل USB لعجلة السباق |
| 16 | موصل صندوق التروس |
| 17 | موصل مجموعة الدواسة |
| | أو موصل مصدر الطاقة الرئيسي (يختلف من بلد إلى آخر) |

توصيل عجلة السباق بمقبس كهربائي: يرجى القراءة قبل المتابعة!
يختلف مصدر طاقة عجلة السباق الخاصة بك طبقاً للبلد التي اشترت منها جهازك.

الإصدارات الأوروبية فقط

ملاحظة هامة: الإصدار الأوروبي من T150 مزود بموفر طاقة داخلي، يوجد داخل قاعدة عجلة السباق مباشرة.



- قم بتوصيل الموصل الرئيسي لعجلة السباق بمنفذ طاقة 220 فولت.

الإصدارات الأخرى (غير الأوروبية)

ملاحظة: على عكس الإصدار الأوروبي، توفر T150 غير الأوروبية موفر طاقة خارجي، وجهاز خاص مع عجلة السباق.

- قم بتوصيل المهائئ الخارجي بالموصل المناسب في مؤخرة عجلة السباق، ثم قم بتوصيل مهائئ طاقة الموصلات الرئيسية بمنفذ طاقة قياسي بنفس الجهد.

تحذيرات

قبل استخدام هذا المنتج، يرجى قراءة هذا الدليل بعناية والاحتفاظ به للرجوع إليه فيما بعد.

تحذير - صدمة كهربائية

- * يتم تخزين المنتج في مكان جاف مع عدم تعرضه للأتربة أو أشعة الشمس.
- * لا تقم بجذل الموصلات والكابلات أو سحبها.
- * لا تقم بسكب أي سائل على المنتج أو موصلاته.
- * لا تقم بعمل قصر في دائرة المنتج.
- * لا تقم بكف المنتج، ولا تلقه في لهب ولا تعرضه لدرجات حرارة مرتفعة.
- * لا تستخدم كابل مصدر طاقة غير المرفق مع عجلة السباق الخاصة بك.
- * لا تستخدم كابل مصدر طاقة رئيسية في حالة تلف الكابل أو الموصلات أو شقه أو كسره.
- * تأكد من أن كابل الطاقة الرئيسية موصل في مقيس الطاقة على النحو الصحيح، وأنه موصل على النحو الصحيح بالموصل الموجود في الجهة الخلفية من عجلة السباق.
- * لا تفتح عجلة السباق. لا توجد أجزاء قابلة للاستبدال بواسطة المستخدم بالداخل. يجب تنفيذ أي إصلاحات عن طريق الشركة المصنعة أو ممثل معتمد أو فني مؤهل.
- * لا تستخدم إلا أدوات التوصيل/الملحقات المحددة بواسطة الشركة المصنعة.
- * إذا كانت عجلة القيادة لا تعمل بشكل صحيح (تصدر أصواتاً أو حرارة أو رائحة غير عادية)، فتوقف عن استخدامها على الفور، وقم بفصل كابل الطاقة من المنفذ وقم بفصل الكابلات الأخرى.
- * إذا لم تكن ستستخدم عجلة القيادة لمدة طويلة، فقم بفصل مهايئ الطاقة الرئيسية من المنفذ الكهربائي.

فتحات الهواء

- تأكد من عدم إعاقة أي من فتحات الهواء الموجودة على قاعدة عجلة القيادة. للحصول على تهوية مثلى، يرجى الالتزام بالنقاط الواردة أدناه:
- * ضع القاعدة على مسافة لا تقل عن 10 سم من أي حائط.
 - * لا تضع القاعدة في أي أماكن ضيقة.
 - * لا تغطي القاعدة.
 - * لا تسمح بتراكم الأتربة على فتحات التهوية.

لأسباب تتعلق بالسلامة، لا تستخدم مجموعة الدواسة بـقدم عارية

أو أثناء ارتداء جوارب فقط.

لا تتحمل **THRUSTMASTER®** أي مسؤولية في حالة وقوع إصابات ناتجة عن استخدام مجموعة الدواسة بدون حذاء.

تحذير - الإصابات الناتجة عن قوة رد الفعل والحركات المتكررة

قد يتسبب اللعب باستخدام رد فعل قوي لعجلة توجيه في حدوث ألم في العضلات أو المفاصل. لتجنب أي مشكلات:
* تجنب اللعب لفترات طويلة.

- * ادخل في فترة راحة من 10 إلى 15 دقيقة بعد كل ساعة من اللعب.
- * إذا شعرت بأي تعب أو ألم في اليدين أو المعصمين أو الذراعين أو القدم أو الرجلين، فتوقف عن اللعب واسترح بضع ساعات قبل بدء اللعب مرة أخرى.

تحذير - الإصابات الناتجة عن قوة رد الفعل والحركات المتكررة (متابعة)

- * إذ استمرت الأعراض أو الألم المشار إليه أعلاه عند بدء اللعب مرة أخرى، فتوقف عن اللعب واستشر طبيبك.
- * تحفظ بعيدًا عن تناول أيدي الأطفال.
- * أثناء اللعب، اترك كلتا يديك دائمًا في موضع صحيح على عجلة القيادة دون تمريرها منها بشكل كامل.
- * أثناء اللعب، لا تضع يديك أو أصابعك أسفل الدواسات أو في أي مكان بالقرب من مجموعة الدواسات.
- * أثناء المعالجة واللعب، لا تمرر يدك أو ذراعك من خلال الفتحات الموجودة في عجلة السباق.
- * تأكد من تأمين قاعدة عجلة السباق على نحو صحيح، حسب التعليمات الواردة في هذا الدليل.

منتج ثقيل الوزن



منتج يستخدم بواسطة مستخدمين لا يقل سنهم عن 14 عام



احرص على عدم إسقاط المنتج على نفسك أو على غيرك!

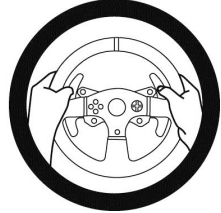
مطلقًا



مطلقًا



دائمًا



تحذير - خطر الضغط الشديد على مجموعة الدواسة عند اللعب



- * احتفظ بمجموعة الدواسة بعيدًا عن متناول الأطفال.
- * عند اللعب، لا تضع أصابعك على جوانب الدواسات أو في أي مكان قريب منها.
- * عند اللعب، لا تضع أصابعك على القاعدة الخلفية للدواسات أو في أي مكان قريب منها.
- * عند اللعب، لا تضع أصابعك على القاعدة الأمامية للدواسات أو في أي مكان قريب منها.



* قم بتخزين مجموعة الدواسة في مكان آمن، واحتفظ بها بعيدًا عن متناول الأطفال.

ترقية البرنامج الثابت لعجلة السباق الخاصة بك

يمكن ترقية البرنامج الثابت المضمن في قاعدة عجلة السباق الخاصة بك إلى إصدار أحدث يوفر تحسينات للمنتج.

لعرض إصدار البرنامج الثابت الموجود على عجلة السباق الخاصة بك حاليًا وتحديثه إذا لزم الأمر: على الكمبيوتر، انتقل إلى <http://ts.thrustmaster.com>، في القسم **Updates and downloads**، انقر فوق **T150 Driver / Firmware**، ثم حدد **PlayStation® / Wheels /** واتبع التعليمات التي تصف إجراء التنزيل والتنصيب.

ملاحظة هامة:

على الكمبيوتر، يجب تعيين المفتاح USB المنزلق (5) الموجود على قاعدة عجلة السباق إلى الوضع PS3™ دائمًا.

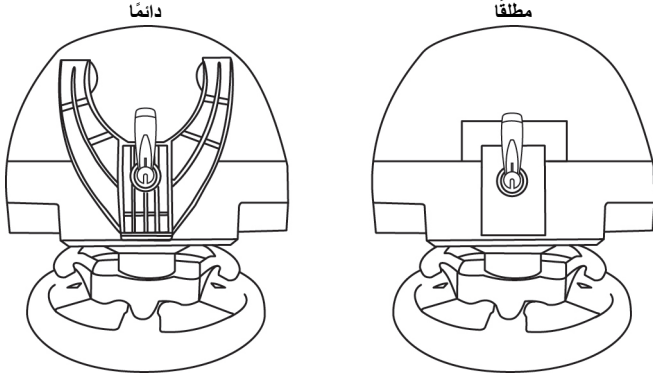
ضبط زاوية ميل الدواسة

يمكن ضبط زاوية ميل الدواسة.
تتوفر تعليمات الضبط الخاصة بكل دواسة على موقع <http://ts.thrustmaster.com> في القسم التحديثات والتزييلات، انقر فوق PlayStation® / Wheels / T150 ، ثم حدد الملف Manual/Help file.

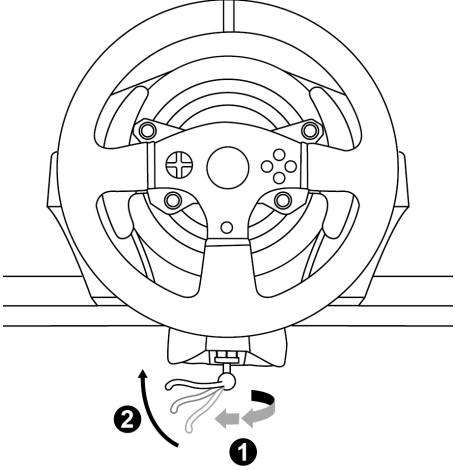
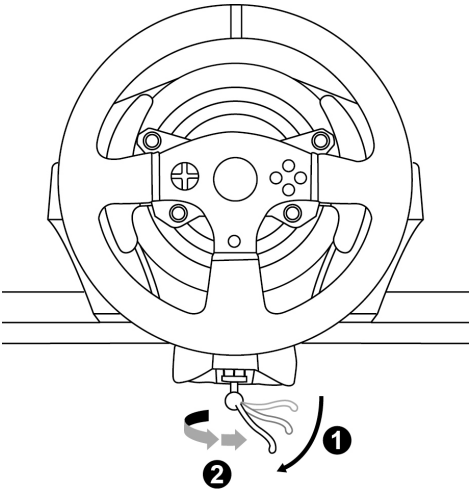
تركيب عجلة السباق

تركيب عجلة السباق على طاولة أو سطح مكتب

1. ضع عجلة السباق على طاولة أو أي سطح آخر أفقي ومستوي ومتزن.
2. أدخل برغي التثبيت (11) في أداة الربط (10) ثم قم بإحكام الجهاز عن طريق تدوير البرغي في عكس اتجاه عقارب الساعة، بحيث يدخل في الثقب الكبير المولب (9) الموجود أسفل عجلة السباق، حتى تستقر العجلة تمامًا.



تحذير: لا تقم مطلقًا بربط البرغي بمفرده، دون أداة الربط!
(قد يؤدي ذلك إلى تلف عجلة القيادة).

| الاتجاه | التركيب/ الإزالة |
|------------------------------------------------------------------------------------|----------------------------------------------------------------|
|  | <p>للربط</p> <p>تدوير البرغي عكس اتجاه عقارب الساعة</p> |
|  | <p>للفك</p> <p>تدوير البرغي في اتجاه عقارب الساعة</p> |

تركيب قاعدة عجلة السباق في مقصورة

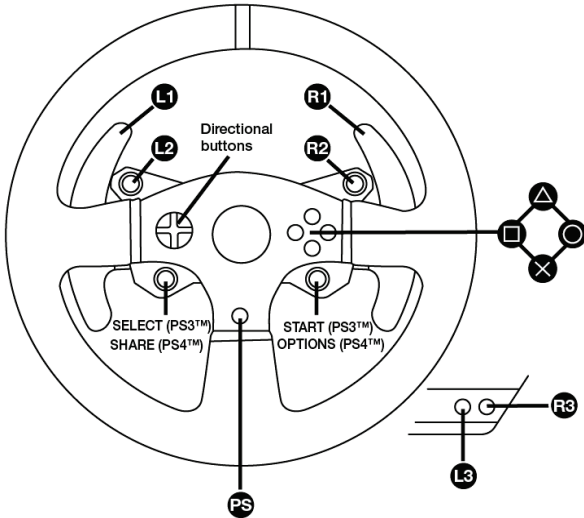
1. ضع قاعدة عجلة السباق على رف المقصورة.
2. أدخل برغيين M6 (غير مضمنين) من خلال رف المقصورة، ثم أدخلهم في سني اللولب الصغيرين الموجودين أسفل عجلة السباق
هائم يجب ألا يتجاوز طول البرغيين M6 سمك الرف + 12 مم؛ حيث قد يؤدي استخدام براغي أطول إلى حدوث تلف في المكونات الداخلية الموجودة في قاعدة عجلة السباق.
3. إذا لزم الأمر، قم بربط أداة التركيب القياسية عن طريق إدخال برغي التثبيت في الثقب الكبير الملولب.

تركيب مجموعة الدواسة في مقصورة

1. قم بتركيب مجموعة الدواسة باستخدام سنون اللولب الصغيرة الموجودة أسفلها.
2. أدخل برغيين M6 (غير مضمنين) من خلال رف المقصورة، ثم أدخلهم في سني اللولب الصغيرين الموجودين أسفل مجموعة الدواسة.
هائم يجب ألا يتجاوز طول البرغيين M6 سمك الرف + 10 مم؛ حيث قد يؤدي استخدام براغي أطول إلى حدوث تلف في المكونات الداخلية الموجودة في قاعدة مجموعة الدواسة.

تتوفر مخططات تخطيط المقصورات (لوضع قاعدة عجلة السباق وأو مجموعة الدواسة) على <http://ts.thrustmaster.com>؛ في قسم Updates and Downloads، انقر فوق Manual/Help file ، ثم حدد T150 / Wheels / PlayStation®

تخطيط PlayStation®3 و PlayStation®4



إعداد عجلة السباق الخاصة بك لـ PS3 أو PS4

1. قم بتوصيل مجموعة الدواسة بالموصل (17) الموجود خلف قاعدة عجلة السباق.
2. قم بتوصيل كابل مصدر الطاقة بالموصل (14) الموجود خلف قاعدة عجلة السباق.
3. قم بتوصيل كابل مصدر الطاقة بمنفذ رئيسي بمواصفات جهد مناسبة.
للوصول على مزيد من المعلومات، يرجى الرجوع إلى قسم توصيل عجلة السباق إلى منفذ كوبري، في الصفحة 3 من هذا الدليل.



4. اضبط مفتاح محدد USB (5) الموجود على قاعدة عجلة السباق على الوضع PS3™ أو PS4™، حسب النظام أو اللعبة التي تستخدمها.
5. قم بتوصيل موصل USB الخاصة بعجلة السباق (15) بأحد منافذ USB للنظام.
6. بمجرد تشغيل النظام، سوف تقوم عجلة السباق بالمعايرة الذاتية تلقائياً.
7. في PS4 PlayStation (عندما يكون مفتاح محدد USB مضبوطاً على الوضع PS4™): اضغط على زر PS في عجلة السباق (8) وقم بتسجيل الدخول إلى ملف تعريف اللاعب Sony Entertainment Network لتستطيع استخدام العجلة.

انت الآن مستعد للعب!

ملاحظات هامة:

- يجب دائماً ضبط مفتاح محدد USB (5) الموجود على قاعدة عجلة السباق على الوضع الصحيح (PS3™ أو PS4™) قبل توصيل كابل USB الخاص بالعجلة بالنظام. لتغيير وضع المحدد، افصل كابل USB من النظام ثم غير وضع المفتاح قبل إعادة توصيل كابل USB بالنظام.
- في PS3 PlayStation، يجب ضبط مفتاح محدد USB (5) دائماً على وضع PS3™:
 - * تُعرف العجلة في معظم الألعاب على أنها عجلة T500RS.
 - * تعمل العجلة في الألعاب المتوافقة وفي قوائم النظام.
 - * تعمل الوظيفة "PS" على العجلة.
- في PS4 PlayStation، باستخدام مفتاح محدد USB (5) في الوضع PS3™:
 - * تُعرف العجلة في معظم الألعاب على أنها عجلة T500RS.
 - * تقوم العجلة بوظائفها في الألعاب المتوافقة وليس في قوائم النظام.
 - * لا تعمل الوظائف "SHARE" و "PS" على العجلة.
- في PS4 PlayStation، باستخدام مفتاح محدد USB (5) في الوضع PS4™:
 - * لا تنس الضغط على زر PS على عجلة السباق (8) لتستطيع استخدام العجلة.
 - * تُعرف العجلة في معظم الألعاب على أنها عجلة T150 أو T300RS.
 - * تعمل العجلة في الألعاب المتوافقة وفي قوائم النظام.
 - * تعمل الوظائف "SHARE" و "PS" على العجلة.
- تتوفر قائمة بالعب PS3 PlayStation و PS4 PlayStation المتوافقة مع T150 (بالإضافة إلى الوضع المطلوب لمفتاح محدد USB (5) وفقاً للعبة الجاري تشغيلها) على:
<http://ts.thrustmaster.com/Updates and Downloads> (في القسم (في القسم
انقر فوق PS® / PlayStation / Wheels / T150).
يتم تحديث هذه القائمة بانتظام

إعداد عجلة السباق للمبيوتر *

* لم تتم المصادقة على التوافق مع الكمبيوتر الشخصي بواسطة Sony Computer Entertainment Europe .

ملاحظة هامة:

على الكمبيوتر، يجب تعيين المفتاح USB المنزلق (5) الموجود على قاعدة عجلة السباق إلى الوضع PS3™ دانماً.

1. انتقل إلى <http://ts.thrustmaster.com> لتنزيل برامج التشغيل وبرامج رد فعل القوة للمبيوتر. في قسم Updates and Downloads (التحديثات والتنزيلات)، انقر فوق PC / Wheels / T150 (كمبيوتر / عجلات / T150)، ثم حدد Drivers (برامج التشغيل).

2. بمجرد اكتمال التنزيل، قم بتشغيل التثبيت، واتبع التعليمات على الشاشة لتوصيل قابس USB الخاص بالعجلة في الكمبيوتر وإتمام التثبيت.

3. بمجرد اكتمال التثبيت، انقر فوق Finish (إنهاء) وقم بإعادة تشغيل الكمبيوتر الخاص بك.

4. حدد Start / All Programs / Thrustmaster / FFB Racing Wheel / Control Panel (البداية / كافة البرامج / وحدات التحكم بالالعاب) Game Controllers / FFB Racing Wheel / Thrustmaster / لوحة التحكم) لفتح نافذة Game Controllers (وحدات التحكم بالالعاب).

تعرض نافذة Game Controllers (وحدات التحكم بالالعاب) اسم عجلة السباق T150 Racing Wheel بالحالة OK (تم).

5. انقر فوق (خصائص) لتكوين العجلة الخاصة بك في لوحة التحكم :

- علامة تبويب Test Input (اختبار الإدخال): تتيح اختبار أزرار الإجراء وأزرار الاتجاهات ومحاور العجلة والدواسات وعرضها، وضبط زاوية دوران العجلة في ألعاب الكمبيوتر الخاصة بك.
- علامة تبويب Test Forces (اختبار القوى): تتيح اختبار 12 مؤثر لرد فعل القوة.
- علامة تبويب Gain Settings (إعدادات الاكتساب): تتيح ضبط طاقة تأثيرات رد فعل القوة في ألعاب الكمبيوتر.

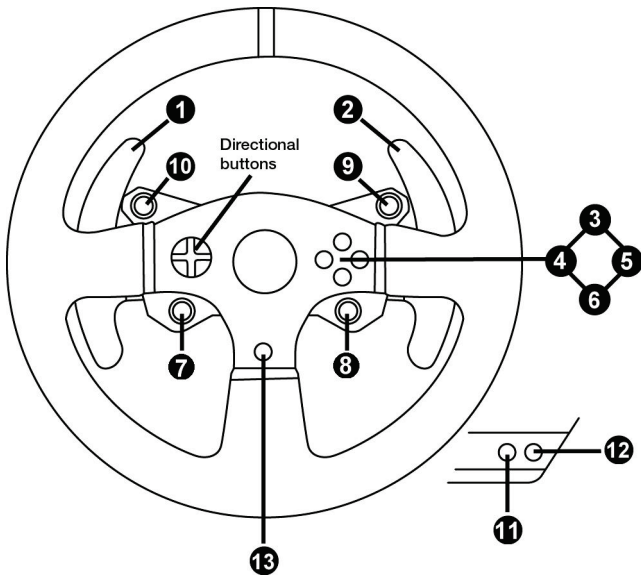
أنت الآن مستعد للعب!

ملاحظات عامة:

- على الكمبيوتر انقر فوق OK (موافق) لإغلاق نافذة Game Controllers (وحدات التحكم بالالعاب) قبل تشغيل اللعبة.

- على الكمبيوتر، سيتم حفظ عمليات الضبط التي يتم إجراؤها في نافذة Game Controllers (وحدات التحكم بالالعاب) على الكمبيوتر الخاص بك فقط (ومن ثم لن تؤثر على PlayStation®3 أو PlayStation®4).

- يتم عرض إصدار البرنامج الثابت للعجلة في الركن العلوي الأيمن في علامات تبويب لوحة تحكم T150.



المعايرة التلقائية لعجلة السباق ومجموعة الدواسة

تعمل عجلة السباق على إجراء معايرة ذاتية تلقائيًا عند توصيل عجلة السباق بمصدر الطاقة الرئيسية وموصل USB لعجلة السباق بنظام PlayStation®3 أو PlayStation®4. خلال هذه المرحلة، ستدور عجلة السباق بسرعة باتجاه اليمين واليسار، وتغطية زاوية 1080 درجة قبل التوقف في المنتصف.



تحذير:

لا تقم مطلقًا بلمس عجلة السباق أثناء مرحلة المعايرة الذاتية!
(قد يتسبب ذلك في إجراء معايرة غير صحيحة و/أو إصابات شخصية)

المعايرة التلقائية لمجموعة الدواسة

لا تقم مطلقًا بتوصيل مجموعة الدواسة بقاعدة عجلة السباق (أو فصلها من القاعدة) عند توصيلها بالنظام أثناء اللعب (قد يؤدي ذلك إلى إجراء معايرة غير صحيحة).
قم دائمًا بتوصيل مجموعة الدواسة قبل توصيل عجلة السباق بالنظام.
بمجرد إتمام معايرة عجلة السباق وبدء اللعبة، يتم إجراء معايرة الدواسة تلقائيًا بعد الضغط عليها بضع مرات.



تحذير:

لا تضغط مطلقًا على الدواسة
خلال مرحلة المعايرة الذاتية لعجلة السباق أو أثناء تحميل اللعبة!
(قد يتسبب ذلك في إجراء معايرة غير صحيحة)

إذا لم تعمل عجلة السباق ومجموعة الدواسة بشكل صحيح، أو إذا بدا أن المعايرة غير صحيحة:
قم بإيقاف تشغيل النظام الخاص بك، وقم بفصل عجلة السباق بالكامل. وقم بإعادة توصيل كافة الكابلات (باستخدام كابل مصدر الطاقة الرئيسية ومجموعة الدواسة)، ثم قم بإعادة تشغيل النظام واللعبة الخاصة بك.

مستشعر الحرارة الداخلية

- يتكون نظام تبريد عجلة السباق من مجرى حراري ومروحة.
- منظم حرارة لمراقبة درجة الحرارة الداخلية لعجلة السباق.
 - عند استخدام عجلة السباق في لعبة:
 - يتم تشغيل مروحة التبريد عندما تصل درجة حرارة عجلة السباق إلى درجة حرارة معينة. (= بعد بضع دقائق من اللعب، حسب تأثيرات قوة رد الفعل المستخدمة).
 - تقل تأثيرات قوة رد الفعل تلقائيًا بمجرد وصول عجلة السباق إلى درجة حرارة أعلى (لحماية المحرك). تقل قوة هذه التأثيرات بمجرد انخفاض درجة الحرارة قليلًا.
 - عند الانتهاء من اللعب: نظرًا لاستمرار ارتفاع درجة حرارة المحرك، تبقى مروحة التبريد قيد التشغيل حتى تنخفض درجة الحرارة لأقل من مستوى تشغيل المروحة. تم تصميم العجلة الخاصة بك بهذه الطريقة لتسهيل التبريد وحماية المحرك. (= قد يستغرق ذلك من 5 دقائق إلى 45 دقيقة، حسب درجة الحرارة التي وصل إليها المحرك أثناء استخدام العجلة في لعبة)

زر MODE ومصباح المؤشر (6)

زر MODE لمجموعة الدواسة

توفر مجموعة الدواسة المرفقة مع عجلة السباق T150 دواستين عند استخدام مجموعة الدواسة هذه، تأكد من بقاء مصباح المؤشر باللون الأحمر، وإلا فلن تعمل دواسة السرعة بشكل صحيح.

كما أن T150 متوافقة مع مجموعة دواسة Thrustmaster التي توفر 3 دواسات (تباع بشكل منفصل)؛ حيث يمكنك ذلك من التبديل الإلكتروني لدواسة السرعة والقابض. للقيام بذلك، ما عليك إلا الضغط على الزر (6) MODE لمدة ثانيتين. تعمل الذاكرة الداخلية لعجلة السباق على تخزين ما إذا كان يتم التبديل بين الدواسات أم لا.

| لون مصباح مؤشر MODE (6) | دواستي السرعة والقابض |
|-------------------------|-----------------------|
| أحمر | عادي |
| أخضر | إمكانية التبديل |

تلميحات أخرى حول الزر MODE

لمعرفة المزيد حول زر MODE ومصباح المؤشر، يرجى الانتقال إلى <http://ts.thrustmaster.com>. في قسم **Updates and Downloads**، انقر فوق **T150 / Wheels / PlayStation®**، ثم حدد **Manual/Help file**.

ملفات التعليمات والأسئلة المتداولة (لم يتم تضمينها في هذا الدليل)

يرجى زيارة <http://ts.thrustmaster.com>، وفي قسم **Updates and Downloads**، انقر فوق **T150 / Wheels / PlayStation®**، وحدد **Manual/Help file**.

الدعم الفني

إذا واجهت مشكلة مع المنتج الخاص بك، فيرجى الانتقال إلى <http://ts.thrustmaster.com> وتحديد اللغة. فمن هناك ستتمكن من الوصول إلى الأدوات المساعدة المتنوعة (الأسئلة الشائعة، أحدث إصدارات برامج التشغيل والبرامج) التي قد تساعدك في حل مشكلتك. إذا استمرت المشكلة، فيمكنك الاتصال بخدمة الدعم الفني لمنتجات Thrustmaster ("الدعم الفني"):

عن طريق البريد الإلكتروني:

للاصول إلى الدعم الفني الخاص بنا عبر البريد الإلكتروني، يجب أن تقوم أولاً بالتسجيل عبر الإنترنت على موقع <http://ts.thrustmaster.com/>. حيث ستساعد المعلومات التي ستقدمها الفنيين في حل مشكلتك في أسرع وقت ممكن.

انقر فوق **Product Registration (تسجيل المنتج)** واتبع التعليمات المعروضة على الشاشة. إذا قمت بتسجيل المنتج بالفعل، فيرجى إدخال معلومات المستخدم في الحقول **Username (اسم المستخدم)** و **Password (كلمة المرور)** ثم انقر فوق **Login (تسجيل الدخول)**.

الدعم الفني

إذا واجهت مشكلة مع المنتج الخاص بك، فيرجى الانتقال إلى <http://ts.thrustmaster.com> وتحديد اللغة. فمن هناك ستتمكن من الوصول إلى الأدوات المساعدة المتنوعة (الأسئلة الشائعة، أحدث إصدارات برامج التشغيل والبرامج) التي قد تساعدك في حل مشكلتك. إذا استمرت المشكلة، فيمكنك الاتصال بخدمة الدعم الفني لمنتجات Thrustmaster ("الدعم الفني").

عن طريق البريد الإلكتروني:

للوصول إلى الدعم الفني الخاص بنا عبر البريد الإلكتروني، يجب أن تقوم أولاً بالتسجيل عبر الإنترنت على موقع ويب <http://ts.thrustmaster.com>. حيث ستساعد المعلومات التي ستقدمها الفئتين في حل مشكلتك في أسرع وقت ممكن.

انقر فوق **Product Registration (تسجيل المنتج)** واتبع التعليمات المعروضة على الشاشة. إذا قمت بتسجيل المنتج بالفعل، فيرجى إدخال معلومات المستخدم في الحقول **Username (اسم المستخدم)** و **Password (كلمة المرور)** ثم انقر فوق **Login (تسجيل الدخول)**.

معلومات ضمان المستهلك

تضمن شركة Guillemot Corporation S.A العالمية (المشار إليها فيما بعد باسم "Guillemot") ومقرها الرئيسي في Place du Granier, B.P. 97143, 35571 Chantepie, France، للمستهلك أن يكون منتج Thrustmaster خاليًا من عيوب المواد وعيوب التصنيع، طوال مدة فترة الضمان التي تتوافق مع الفترة المحددة التي يمكن خلالها المطالبة بالمطالبة لاسترداد قيمة هذا المنتج أو استبداله. في دول الاتحاد الأوروبي، يسري هذا لمدة (2) عامين من تاريخ استلام المنتج Thrustmaster. وفي دول أخرى، تتوافق فترة الضمان مع الفترة المحددة للمطالبة بمطابقة المنتج Thrustmaster وفقًا للقوانين المعمول بها في الدولة التي كان يقطن بها المستهلك عند تاريخ شراء المنتج Thrustmaster (في حالة عدم المطالبة في الدولة المعنية، ستكون فترة الضمان عام (1) واحد من تاريخ الشراء الأصلي للمنتج Thrustmaster).

مع عدم الإخلال بما تقدم، يشمل الضمان البطاريات القابلة لإعادة الشحن لمدة ستة (6) أشهر من تاريخ البيع الأصلي. وإذا ظهر أن المنتج معيَّبًا خلال فترة الضمان، فاقص على الفور بالدعم الفني الذي سيرشدك إلى الإجراءات التي يجب أن تتبعها. وإذا تم التأكد من وجود العيب، فيجب إعادة المنتج إلى مكان شرائه (أو أي موقع آخر يشير إليه الدعم الفني).

وفي سياق هذا الضمان، يجب استبدال المنتج المعيب الخاص بالمستهلك أو إصلاحه، وذلك حسب اختيار الدعم الفني. إذا خضع منتج Thrustmaster، في خلال فترة الضمان، لأي عملية إصلاح، فإن أي فترة يكون المنتج خلالها خارج الخدمة ويبدأ من سبعة (7) أيام سوف تضاف إلى فترة الضمان المتبقية (تبدأ هذه الفترة من تاريخ طلب العميل للتدخل أو من تاريخ تقديم المنتج المذكور للإصلاح، إذا كان تاريخ تقديم المنتج للإصلاح لاحقًا لتاريخ طلب التدخل). تقتصر المسؤولية الكاملة لشركة Guillemot وفروعها (بما في ذلك الأضرار التبعية) على إصلاح المنتج Thrustmaster أو استبداله، وذلك عندما يكون هذا جائزًا بموجب القانون الساري. تخلي شركة Guillemot مسؤوليتها عن أي ضمانات خاصة بالتجارة أو الملاءمة لغرض معين، وذلك عندما يكون هذا جائزًا بموجب القانون الساري.

لا يسري هذا الضمان: (1) إذا تم تعديل المنتج أو فتحه أو تغييره أو إذا تعرضت لتلف نتيجة للاستخدام السلي أو غير الملائم أو الإهمال أو حادث أو الإهلاك نتيجة الاستعمال العادي، أو أي سبب آخر لا يرتبط بوجود عيب في المواد أو التصنيع (بما في ذلك، على سبيل المثال لا الحصر، تجميع منتج Thrustmaster بواسطة أي عنصر غير مناسب، بما في ذلك على وجه الخصوص وحدات الإمداد بالطاقة أو البطاريات القابلة لإعادة الشحن أو الشواحن أو أي عناصر أخرى لا يتم توزيعها من قبل Guillemot لهذا المنتج)؛ (2) في حالة عدم الالتزام بالتعليمات المقدمة من قبل الدعم الفني؛ (3) على البرامج، حيث تخضع هذه البرامج لضمان محدد؛ (4) على العناصر الاستهلاكية (العناصر التي يتم استهلاكها خلال فترة عمر المنتج: كالبطاريات غير القابلة لإعادة الاستخدام أو سماعات الرأس أو وسادات الأذن الخاصة بسماعة الرأس)؛ (5) الملحقات (كالكابلات والعلب والحافظات وأربطة المعصم)؛ (6) إذا تم بيع المنتج في مزاد علني.

هذا الضمان غير قابل للتحويل.

لا يؤثر هذا الضمان على الحقوق القانونية للمستهلك بمقتضى القوانين المطبقة على بيع السلع الاستهلاكية في بلده/بلدها.

شروط الضمان الأخرى

خلال فترة الضمان، لن توفر Guillemot، من حيث المبدأ، أي قطع غيار، حيث أن الدعم الفني هو الطرف الوحيد المخول بفتح و/أو إصلاح أي منتج من Thrustmaster (باستثناء أي إجراءات إصلاح يطلب الدعم الفني إجراؤها بواسطة العميل، عن طريق تعليمات مكتوبة – على سبيل المثال، نظراً لبساطة عملة الإصلاح وعدم سريرتها – وتزويد العميل بقطعة (قطع) الغيار المطلوبة، حيثما أمكن ذلك.

لمقتضى المجالات الإبداعية ولحماية أسرار المعرفة الفنية والأسرار التجارية، لن توفر Guillemot، من حيث المبدأ، أي إشعارات للإصلاح أو قطع غيار لأي منتج Thrustmaster انتهت فترة الضمان الخاصة به.

في الولايات المتحدة الأمريكية وكندا، يقتصر هذا الضمان على الآلية الداخلية للمنتج والغطاء الخارجي له. لا تتحمل شركة Guillemot أو شركاتها التابعة بأي حال من الأحوال مسؤولية أي جهة أخرى عن أي أضرار تبعية أو عرضية ناتجة عن خرق للضمانات الصريحة أو الضمنية. لا تسمح بعض الولايات/المقاطعات بتحديد مدة الضمان الضمني أو الاستثناء أو تحديد المسؤولية عن الأضرار التبعية أو العرضية، ولذلك فقد لا تسري عليك الحدود أو الاستثناءات الواردة أعلاه. يمنحك هذا الضمان حقوقاً قانونية معينة، وقد تتمتع أيضاً بحقوق أخرى تختلف من ولاية لأخرى أو من مقاطعة لأخرى.

حقوق النشر

© 2015 Guillemot Corporation S.A. جميع الحقوق محفوظة. Thrustmaster® هي علامة تجارية مسجلة لشركة Guillemot Corporation S.A.

مرخص للبيع في أوروبا وإفريقيا والشرق الأوسط وروسيا والهند وأوقيانوسيا. للاستخدام حصرياً مع PlayStation®3 و PlayStation®4.

"PS" و "PlayStation" و "PS3" و "PS4" هي علامات تجارية مسجلة لشركة Sony Computer Entertainment Inc. "PS4" هي علامة تجارية للشركة نفسها. جميع الحقوق محفوظة. كافة العلامات التجارية الأخرى مملوكة لأصحابها المعنيين. الرسوم التوضيحية غير ملزمة. وتخضع المحتويات والتصميمات والمواسفات للتغيير دون إشعار وقد تختلف من بلد إلى آخر. صنع في الصين. تقنية® TouchSense مرمضة من شركة Immersion Software Ireland Limited وهي محمية بموجب براءة اختراع واحدة أو أكثر في الولايات المتحدة على العنوان التالي: www.immersion.com/patent-marking.html، وبراءات اختراع أخرى معلقة. تم التصنيع والتوزيع بواسطة Guillemot Corporation S.A.

توصيات الحماية البيئية

في الاتحاد الأوروبي: عند انتهاء صلاحية المنتج، يجب عدم التخلص منه مع النفايات المنزلية العادية، لكن يوضع في نقطة تجميع خاصة بالتخلص من نفايات المعدات الكهربائية والإلكترونية (WEEE).

ويؤكد ذلك الرمز الموجود على المنتج أو دليل المستخدم أو الغلاف. يمكن إعادة تدوير المواد، على حسب خصائصها. من خلال إعادة التدوير الأشكال الأخرى لمعالجة نفايات المعدات الكهربائية والإلكترونية، يمكنك المشاركة بفعالية في المساعدة على حماية البيئة.

يرجى الاتصال بالسلطات المحلية لديك للحصول على معلومات حول نقطة التجميع الأقرب إليك.

بالنسبة لكافة البلدان الأخرى: يرجى الالتزام بقوانين إعادة التدوير المحلية الخاصة بالمعدات الكهربائية والإلكترونية.



احتفظ بهذه المعلومات. قد تختلف الألوان والزخارف. يجب إزالة المواد المثبتة واللاصقة من المنتج قبل استخدامه.

www.thrustmaster.com

* ينطبق على الاتحاد الأوروبي وتركيا فقط



immersion.

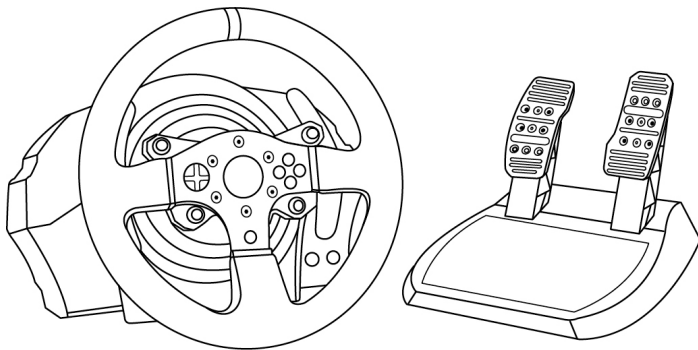


T150

FORCE FEEDBACK

FOR PLAYSTATION®3 – PLAYSTATION®4 SYSTEMS

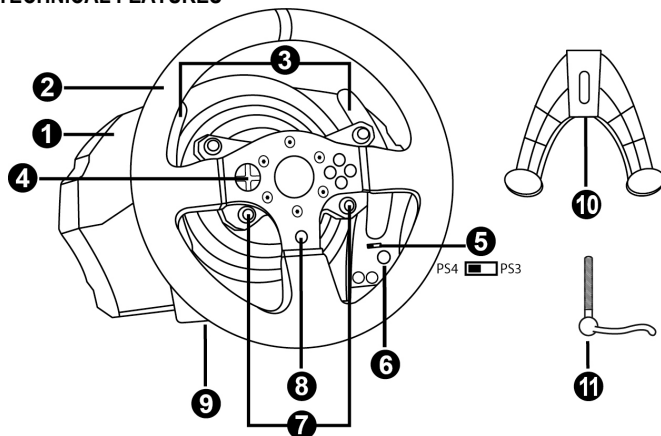
User Manual



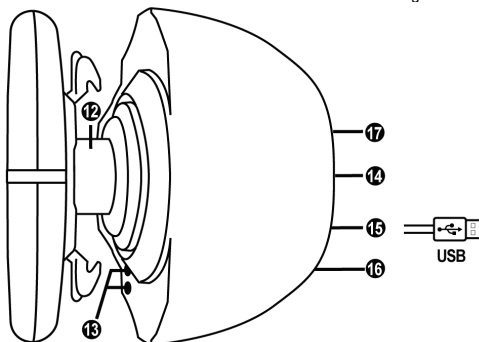
WARNING:

To ensure that your T150 Force Feedback racing wheel functions correctly with games for PlayStation®3 or PlayStation®4 systems, you may be required to install the games' automatic updates (available when your console is connected to the Internet).

TECHNICAL FEATURES



- | | |
|------------------------------------------------------------------------------------------------------------------------------------------------------------------------------------------------------------------------------------------------------------------------------------|----------------------------------------------------------------------------------------------------------------------------------------------------------------------------------------------------------------------------------------------------------------------------|
| <ul style="list-style-type: none"> 1 T150 Force Feedback base 2 Wheel 3 2 sequential paddle shifters (Up & Down) 4 Directional buttons 5 PS4™ or PS3™ USB sliding switch 6 MODE button + red/green indicator light | <ul style="list-style-type: none"> 7 SELECT/START buttons on PS3™ and SHARE/OPTIONS on PS4™ 8 PS button 9 Large threaded hole (for attachment system and fastening screw) 10 Attachment system 11 Metal fastening screw |
|------------------------------------------------------------------------------------------------------------------------------------------------------------------------------------------------------------------------------------------------------------------------------------|----------------------------------------------------------------------------------------------------------------------------------------------------------------------------------------------------------------------------------------------------------------------------|



- | | |
|------------------------------------------------------------------------------------------------------------------------------------------------------------------------------------------------------------------|------------------------------------------------------------------------------------------------------------------------------------------------------------------------------------------------|
| <ul style="list-style-type: none"> 12 Steering axis 13 L3/R3 buttons 14 Power cable or Power supply connector (type A or B) <i>(varies from one country to another)</i> | <ul style="list-style-type: none"> 15 Racing wheel USB cable and connector 16 Shifter (gearbox) connector <i>(sold separately)</i> 17 Pedal set connector |
|------------------------------------------------------------------------------------------------------------------------------------------------------------------------------------------------------------------|------------------------------------------------------------------------------------------------------------------------------------------------------------------------------------------------|

PLUGGING THE RACING WHEEL INTO AN ELECTRICAL OUTLET: PLEASE READ BEFORE PROCEEDING!

Your racing wheel's power supply varies according to the country where you purchased your device.

European versions only

Important note: the European version of the T150 Force Feedback is equipped with an internal power supply, located directly inside the racing wheel's base.

**The European version must exclusively be supplied with 220V!
Never open the racing wheel base – shock hazard!**



Power Supply
220~240V 50Hz 0.8A

- Simply connect the racing wheel's mains connector to a 220 V power outlet.

Other versions (non-European)

Note: Contrary to the European version, the non-European T150 Force Feedback features an external power supply; a specific device is provided with the racing wheel.

- Connect the external adapter to the relevant connector located at the back of the racing wheel, then connect the external mains power adapter to a standard power outlet featuring the same voltage.

WARNINGS

Before using this product, please read this manual carefully and save it for later reference.



Warning – Electrical shock

- * Keep the product in a dry location and do not expose it to dust or sunlight.
- * Do not twist or pull on the connectors and cables.
- * Do not spill any liquid on the product or its connectors.
- * Do not short-circuit the product.
- * Never dismantle the product; do not throw it onto a fire and do not expose it to high temperatures.
- * Do not use a power supply cable other than the one provided with your racing wheel.
- * Do not use the power supply cable if the cable or its connectors are damaged, split or broken.
- * Make sure that the power supply cable is properly plugged into an electrical outlet, and properly connected to the connector at the rear of the racing wheel's base.
- * Do not open up the racing wheel: there are no user-serviceable parts inside. Any repairs must be carried out by the manufacturer, its authorized representative or a qualified technician.
- * Only use attachment systems/accessories specified by the manufacturer.
- * If the racing wheel is operating abnormally (if it is emitting any abnormal sounds, heat or odors), stop using it immediately, unplug the power supply cable from the electrical outlet and disconnect the other cables.
- * If you will not be using the racing wheel for an extended period of time, unplug its power supply cable from the electrical outlet.



Air vents

Make sure not to block any of the air vents on the racing wheel's base. For optimal ventilation, make sure to do the following:

- * Position the wheel's base at least 10 cm away from any wall surfaces.
- * Do not place the base in any tight spaces.
- * Do not cover the base.
- * Do not let any dust build up on the air vents.



**For safety reasons, never use the pedal set with bare feet
or while wearing only socks on your feet.**

**THRUSTMASTER® DISCLAIMS ALL RESPONSIBILITY IN THE EVENT OF
INJURY RESULTING FROM USE OF THE PEDAL SET WITHOUT SHOES.**



Warning – Injuries due to Force Feedback and repeated movements

Playing with a Force Feedback racing wheel may cause muscle or joint pain. To avoid any problems:

- * Avoid lengthy gaming periods.
- * Take 10 to 15 minute breaks after each hour of play.
- * If you feel any fatigue or pain in your hands, wrists, arms, feet or legs, stop playing and rest for a few hours before you start playing again.



Warning – Injuries due to Force Feedback and repeated movements (continued)

- * If the symptoms or pain indicated above persist when you start playing again, stop playing and consult your doctor.
- * Keep out of children's reach.
- * During gameplay, always leave both hands correctly positioned on the wheel without letting it go completely.
- * During gameplay, never place your hands or your fingers under the pedals or anywhere near the pedal set.
- * During calibration and gameplay, never place your hand or your arm through the openings in the racing wheel.
- * Make sure that the racing wheel's base is properly secured, as per this manual's instructions.

HEAVY PRODUCT



Product to be handled only by users
14 years of age or older



Be careful not to drop the product on
yourself or on anyone else!

ALWAYS



NEVER



NEVER





Warning – Pedal set pinch hazard when playing

- * Keep the pedal set out of children's reach.
- * During gameplay, never place your fingers on or anywhere near the sides of the pedals.
- * During gameplay, never place your fingers on or anywhere near the pedals' rear base.
- * During gameplay, never place your fingers on or anywhere near the pedals' front base.

NEVER



NEVER



NEVER



Warning – Pedal set pinch hazard when not playing

- * Store the pedal set in a safe place, and keep it out of children's reach.

UPDATING YOUR RACING WHEEL'S FIRMWARE

The firmware included in your racing wheel's base can be updated to a more recent version featuring product enhancements.

To display the firmware version that your racing wheel is currently using and update it if required: on PC, visit <http://ts.thrustmaster.com>. In the **Updates and Downloads** section, click **PlayStation® / Wheels / T150 Force Feedback**, then select **Driver/Firmware** and follow the instructions describing the download and installation procedure.

ADJUSTING THE PEDAL INCLINATION

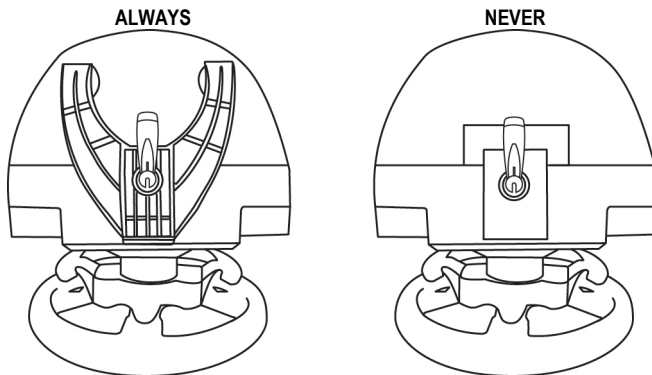
The pedal inclination is adjustable.

The adjustment instructions for each pedal are available at <http://ts.thrustmaster.com>. In the **Updates and Downloads** section, click **PlayStation® / Wheels / T150 Force Feedback**, then select **Manual/Help file**.

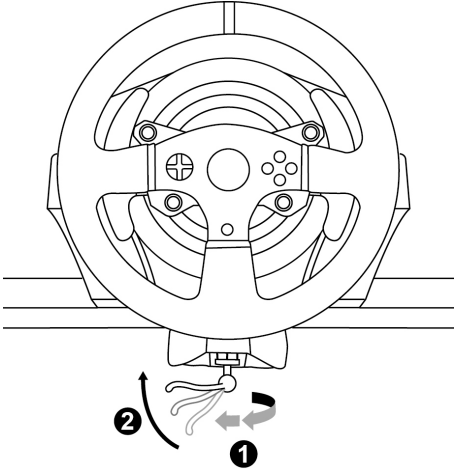
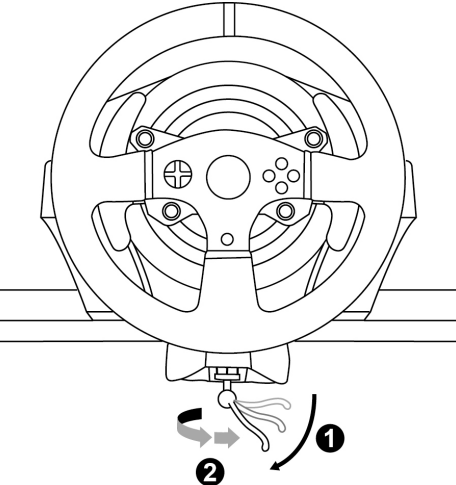
ATTACHING THE RACING WHEEL

Attaching the racing wheel to a table or a desktop

1. Place the racing wheel on a table or any other horizontal, flat and stable surface.
2. Insert the fastening screw (11) in the attachment system (10), then tighten the device by turning the screw counterclockwise, so that it feeds into the large threaded hole (9) located beneath the racing wheel, until the wheel is perfectly stable.



WARNING: Never tighten the screw alone, without the attachment system in place!
(This could damage the racing wheel.)

| ATTACHMENT / REMOVAL | DIRECTION |
|------------------------------------------------------------------------------------|------------------------------------------------------------------------------------|
| <p><u>To tighten:</u></p> <p><i>Turn the screw counterclockwise</i></p> |  |
| <p><u>To release:</u></p> <p><i>Turn the screw clockwise</i></p> |  |

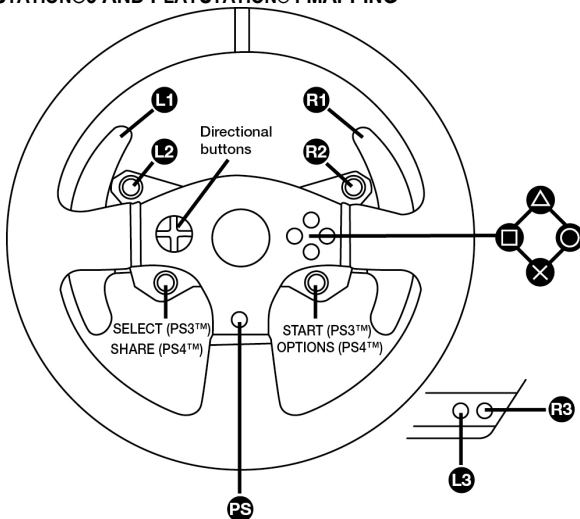
Attaching the pedal set to a cockpit

1. Attach the pedal set using the small screw threads located on its underside.
2. Drive two M6 screws (not included) through the cockpit shelf, then feed them into the two small screw threads located on the underside of the pedal set.

Important: The length of the two M6 screws must not exceed the thickness of the shelf + 10 mm; longer screws could cause damage to internal components located in the pedal set.

Layout diagrams for cockpits (for positioning the racing wheel's base and/or the pedal set) are available at <http://ts.thrustmaster.com>: in the **Updates and Downloads** section, click **PlayStation® / Wheels / T150 Force Feedback**, then select **Manual/Help file**.

PLAYSTATION®3 AND PLAYSTATION®4 MAPPING



SETTING UP THE RACING WHEEL FOR PLAYSTATION®3 OR PLAYSTATION®4 SYSTEMS

1. Connect the pedal set to the connector (17) located at the back of the racing wheel's base.
2. Connect the power supply cable to the connector (14) located at the back of the racing wheel's base.
3. Plug the power supply cable into an electrical outlet with the same voltage specifications.



For more information about this, please refer to the *PLUGGING THE RACING WHEEL INTO AN ELECTRICAL OUTLET* section, on page 3 in this manual.

4. Set the USB sliding switch (5) on the racing wheel's base to either the PS3™ or PS4™ position, depending on the console or the game you are using.
5. Connect the racing wheel's USB connector (15) to one of the console's USB ports.
6. Once your console is powered on, your racing wheel will calibrate itself automatically.
7. On PlayStation®4 system (when the USB sliding switch is set to the PS4™ position): press the racing wheel's PS button (8) and sign in to your Sony Entertainment Network account, in order to be able to use the wheel.

You are now ready to play!

Important notes:

- The USB sliding switch (5) on the racing wheel's base must always be set to the proper position (PS3™ or PS4™) before connecting the wheel's USB cable to the console. To change the sliding switch's position, disconnect the USB cable from the console and then change the position of the switch before reconnecting the USB cable to the console.
- On the PlayStation®3 system, the USB sliding switch (5) must always be set to the PS3™ position:
 - * The wheel is recognized in most games as a T500RS wheel.
 - * The wheel is functional in compatible games and in console menus.
 - * The "PS" function is functional on the wheel.
- On the PlayStation®4 system, with the USB sliding switch (5) in the PS3™ position:
 - * The wheel is recognized in most games as a T500RS wheel.
 - * The wheel is functional in compatible games, but not in console menus.
 - * The "SHARE" and "PS" functions are not functional on the wheel.
- On the PlayStation®4 system, with the USB sliding switch (5) in the PS4™ position:
 - * Don't forget to press the racing wheel's PS button (8) in order to be able to use the wheel.
 - * The wheel is recognized in most games as a T300 RS or T150 Force Feedback wheel.
 - * The wheel is functional in compatible games and in console menus.
 - * The "SHARE" and "PS" functions are functional on the wheel.
- *The list of PlayStation®3 and PlayStation®4 games compatible with the T150 Force Feedback (along with the required position for the USB sliding switch (5) according to the game being played) is available at:*

<http://ts.thrustmaster.com>

***(in the Updates and Downloads section, click PlayStation® / Wheels / T150 Force Feedback).
This list is updated regularly.***

SETTING UP THE RACING WHEEL FOR PC

Important note:

On PC, the USB sliding switch (5) on the racing wheel's base must always be set to the PS3™ position.

1. Go to <http://ts.thrustmaster.com> to download the drivers and the Force Feedback software for PC. In the Updates and Downloads section, click PC / Wheels / T150 Force Feedback, then select Drivers.
2. Once the download is complete, launch the installation, and follow the on-screen instructions to connect the wheel's USB plug to your computer and complete the installation.
3. Once the installation is complete, click Finish and restart your computer.
4. Select Start / All Programs / Thrustmaster / FFB Racing Wheel / Control Panel to open the Game Controllers window.

The Game Controllers window displays the racing wheel's name T150 Force Feedback Racing Wheel with the status OK.

5. Click Properties to configure your wheel in the T150 Force Feedback control panel:

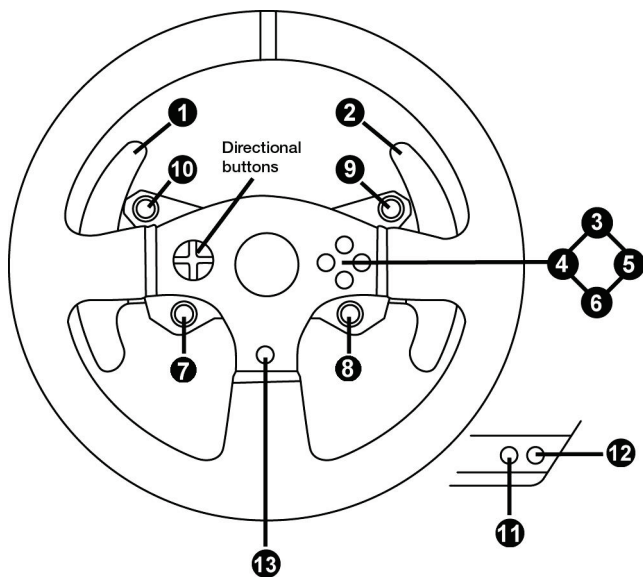
- Test Input tab: allows to test and view the action buttons, directional buttons, wheel and pedals axes, and to adjust the wheel's rotation angle in your PC games.
- Test Forces tab: allows to test 12 force feedback effects.
- Gain Settings tab: allows to adjust the power of the force feedback effects in your PC games.

You are now ready to play!

General notes:

- On PC, click OK to close the Game Controllers window before launching the game.
- On PC, the adjustments made in the Game Controllers window will only be saved on your computer (hence they will have no effect on PlayStation®3 or PlayStation®4).
- Your wheel's firmware version is displayed in the upper right-hand corner of the T150 Force Feedback control panel tabs.

PC MAPPING



AUTOMATIC RACING WHEEL AND PEDAL SET CALIBRATION

The wheel automatically self-calibrates when you plug the racing wheel into an electrical outlet and connect the racing wheel's USB connector to the console.

During this phase, the racing wheel will rotate quickly towards the left and the right, covering a 1080 degree angle, before stopping at the center.



WARNING:

Never touch the racing wheel during the self-calibration phase!
(This could result in improper calibration and/or personal injuries.)

AUTOMATIC CALIBRATION OF THE PEDAL SET

Never connect the pedal set to the racing wheel's base (or disconnect it from the base) when it is connected to the console or during gameplay (this could result in improper calibration).

Always connect the pedal set before connecting the racing wheel to the console.

Once the racing wheel's calibration is complete and the game has been started, the pedals are automatically calibrated after a few presses.



WARNING:

Never press the pedals during the racing wheel's self-calibration phase or while a game is loading!
(This could result in improper calibration.)

If your racing wheel and/or pedal set do not function correctly, or if they seem to be improperly calibrated:

Power off your console and completely disconnect the racing wheel. Then reconnect all cables (including the power supply cable and the pedal set), and restart your console and your game.

MODE BUTTON AND INDICATOR LIGHT (6)

MODE button for the pedal set

The pedal set included with the T150 Force Feedback features 2 pedals.

When using this pedal set, make sure that the indicator light remains red, or else the gas pedal will not function properly.

The T150 Force Feedback is also compatible with Thrustmaster pedal sets featuring 3 pedals (*sold separately*); these allow you to electronically swap the accelerator and clutch pedals.

To do so, simply press the MODE button (6) for 2 seconds.

The racing wheel's internal memory stores whether the pedals have been swapped around or not.

| GAS AND CLUTCH PEDALS | Color of the MODE indicator light (6) |
|-----------------------|---------------------------------------|
| NORMAL | RED |
| SWAPPED AROUND | GREEN |

Other hints regarding the MODE button

To learn more about the MODE button and indicator light, please visit <http://ts.thrustmaster.com>. In the **Updates and Downloads** section, click **PlayStation® / Wheels / T150 Force Feedback**, then select **Manual/Help** file.

COMPATIBILITY WITH THE THRUSTMASTER PRODUCT ECOSYSTEM

The base of the T150 Force Feedback is compatible with:

- The following Thrustmaster pedal sets: T3PA*, T3PA-PRO* (Thrustmaster 3 Pedals Add-on) and the pedal set of the T500RS racing wheel.
- The following Thrustmaster shifters (gearboxes): TH8A* and TH8RS*.

* Sold separately (for more information, please visit <http://www.thrustmaster.com/products/t150>).

HELP FILES AND FAQs (NOT INCLUDED IN THIS MANUAL)

Please visit <http://ts.thrustmaster.com>, and in the **Updates and Downloads** section, click **PlayStation® / Wheels / T150 Force Feedback**, then select **Manual/Help** file.

Consumer warranty information

Worldwide, Guillemot Corporation S.A., whose registered office is located at Place du Granier, B.P. 97143, 35571 Chantepie, France (hereinafter "Guillemot") warrants to the consumer that this Thrustmaster product shall be free from defects in materials and workmanship, for a warranty period which corresponds to the time limit to bring an action for conformity with respect to this product. In the countries of the European Union, this corresponds to a period of two (2) years from delivery of the Thrustmaster product. In other countries, the warranty period corresponds to the time limit to bring an action for conformity with respect to the Thrustmaster product according to applicable laws of the country in which the consumer was domiciled on the date of purchase of the Thrustmaster product (if no such action exists in the corresponding country, then the warranty period shall be one (1) year from the original date of purchase of the Thrustmaster product).

Notwithstanding the above, rechargeable batteries are covered by a warranty period of six (6) months from the date of original purchase.

Should the product appear to be defective during the warranty period, immediately contact Technical Support, who will indicate the procedure to follow. If the defect is confirmed, the product must be returned to its place of purchase (or any other location indicated by Technical Support).

Within the context of this warranty, the consumer's defective product shall, at Technical Support's option, be either replaced or returned to working order. If, during the warranty period, the Thrustmaster product is subject to such reconditioning, any period of at least seven (7) days during which the product is out of use shall be added to the remaining warranty period (this period runs from the date of the consumer's request for intervention or from the date on which the product in question is made available for reconditioning, if the date on which the product is made available for reconditioning is subsequent to the date of the request for intervention). If permitted under applicable law, the full liability of Guillemot and its subsidiaries (including for consequential damages) is limited to the return to working order or the replacement of the Thrustmaster product. If permitted under applicable law, Guillemot disclaims all warranties of merchantability or fitness for a particular purpose.

This warranty shall not apply: (1) if the product has been modified, opened, altered, or has suffered damage as a result of inappropriate or abusive use, negligence, an accident, normal wear, or any other cause unrelated to a material or manufacturing defect (including, but not limited to, combining the Thrustmaster product with any unsuitable element, including in particular power supplies, rechargeable batteries, chargers, or any other elements not supplied by Guillemot for this product); (2) in the event of failure to comply with the instructions provided by Technical Support; (3) to software, said software being subject to a specific warranty; (4) to consumables (elements to be replaced over the product's lifespan: disposable batteries, audio headset or headphone ear pads, for example); (5) to accessories (cables, cases, pouches, bags, wrist-straps, for example); (6) if the product was sold at public auction.

This warranty is nontransferable.

The consumer's legal rights with respect to laws applicable to the sale of consumer goods in his or her country are not affected by this warranty.

Additional warranty provisions

During the warranty period, Guillemot shall not provide, in principle, any spare parts, as Technical Support is the only party authorized to open and/or recondition any Thrustmaster product (with the exception of any reconditioning procedures which Technical Support may request that the consumer carry out, by way of written instructions – for example, due to the simplicity and the lack of confidentiality of the reconditioning process – and by providing the consumer with the required spare part(s), where applicable).

Given its innovation cycles and in order to protect its know-how and trade secrets, Guillemot shall not provide, in principle, any reconditioning notification or spare parts for any Thrustmaster product whose warranty period has expired.

In the United States of America and in Canada, this warranty is limited to the product's internal mechanism and external housing. In no event shall Guillemot or its affiliates be held liable to any third party for any consequential or incidental damages resulting from the breach of any express or implied warranties. Some States/Provinces do not allow limitation on how long an implied warranty lasts or exclusion or limitation of liability for consequential or incidental damages, so the above limitations or exclusions may not apply to you. This warranty gives you specific legal rights, and you may also have other rights which vary from State to State or Province to Province.

Liability

If permitted under applicable law, Guillemot Corporation S.A. (hereinafter "Guillemot") and its subsidiaries disclaim all liability for any damages caused by one or more of the following: (1) the product has been modified, opened or altered; (2) failure to comply with assembly instructions; (3) inappropriate or abusive use, negligence, an accident (an impact, for example); (4) normal wear. If permitted under applicable law, Guillemot and its subsidiaries disclaim all liability for any damages unrelated to a material or manufacturing defect with respect to the product (including, but not limited to, any damages caused directly or indirectly by any software, or by combining the Thrustmaster product with any unsuitable element, including in particular power supplies, rechargeable batteries, chargers, or any other elements not supplied by Guillemot for this product).

FCC STATEMENT

1. This device complies with Part 15 of the FCC Rules. Operation is subject to the following two conditions:

- (1) This device may not cause harmful interference, and
- (2) This device must accept any interference received, including interference that may cause undesired operation.

2. Changes or modifications not expressly approved by the party responsible for compliance could void the user's authority to operate the equipment.

DECLARATION OF CONFORMITY

CANADIAN COMPLIANCE NOTICE: this Class B digital apparatus meets all requirements of the Canadian Interference-Causing Equipment Regulations.

USA COMPLIANCE NOTICE: this equipment has been tested and found to comply with the limits for a Class B digital device, pursuant to Part 15 of the FCC rules. Operation is subject to the following two conditions:

- (1) This device may not cause harmful interference, and
- (2) This device must accept any interference received, including interference that may cause undesired operation.

These limits are designed to provide reasonable protection against harmful interference in a residential installation. This equipment generates, uses and can radiate radio frequency energy and, if not installed and used in accordance with the instructions, may cause harmful interference to radio communications. However, there is no guarantee that interference will not occur in a particular installation. If this equipment does cause harmful interference to radio or television reception, which can be determined by turning the equipment on and off, the user is encouraged to try to correct the interference by one or more of the following measures:

- Reorient or relocate the receiving antenna.
- Increase the separation between the equipment and receiver.
- Connect the equipment into an outlet on a circuit different from that to which the receiver is connected.
- Consult the dealer or an experienced radio/TV technician for help.

COPYRIGHT

© 2015 Guillemot Corporation S.A. All rights reserved. Thrustmaster® is a registered trademark of Guillemot Corporation S.A. Manufactured & distributed under license by Sony Computer Entertainment America LLC.

Playstation, the PS family logo, PS3, PS4 and "△OX□" are registered trademarks of Sony Computer Entertainment Inc. All rights reserved. All other trademarks and brand names are hereby acknowledged and are property of their respective owners. Illustrations not binding. Contents, designs and specifications are subject to change without notice and may vary from one country to another. Made in China.

TouchSense® Technology licensed from Immersion Software Ireland Limited. Protected by one or more of the U.S. Patents found at the following address www.immersion.com/patent-marking.html and other patents pending.

ENVIRONMENTAL PROTECTION RECOMMENDATION

Please adhere to local recycling laws for electrical and electronic equipment.

Retain this information. Colors and decorations may vary.

Plastic fasteners and adhesives should be removed from the product before it is used.

www.thrustmaster.com



immersion.





THRUSTMASTER®

TECHNICAL SUPPORT

<http://ts.thrustmaster.com>

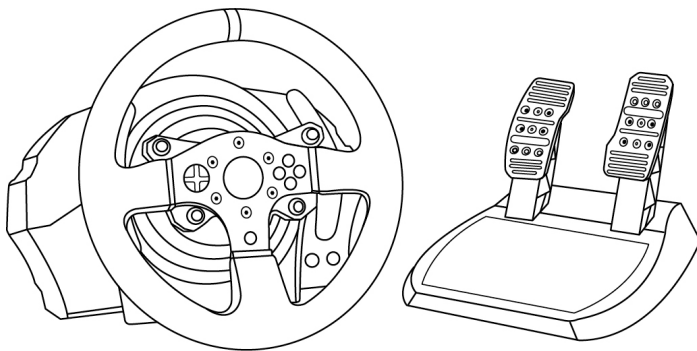


T150

FORCE FEEDBACK

PARA SISTEMAS PLAYSTATION®3 – PLAYSTATION®4

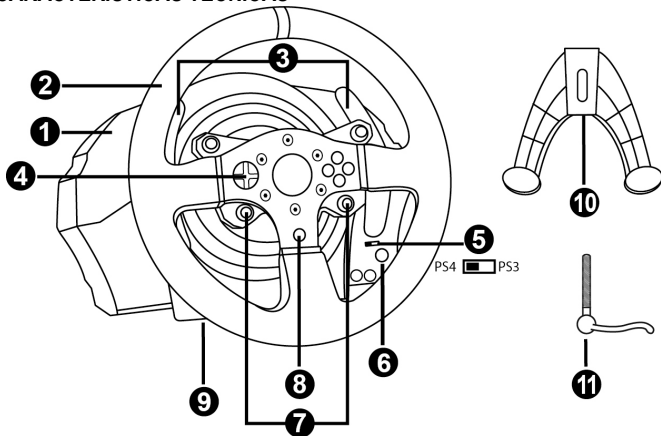
Manual del usuario



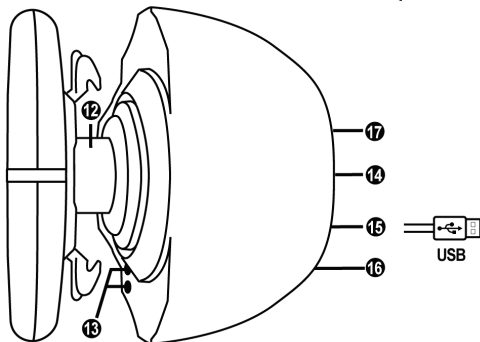
ADVERTENCIA:

Para asegurarte de que tu volante de carreras T150 Force Feedback funcione correctamente con juegos para sistemas PlayStation®3 o PlayStation®4, puede que tengas que instalar las actualizaciones automáticas de los juegos (*disponibles cuando tu consola está conectada a Internet*).

CARACTERÍSTICAS TÉCNICAS



- | | |
|----------------------------------------------------------------------------------------------------------------------------------------------------------------------------------------------------------------------------------------------------------------------------------------------------|-------------------------------------------------------------------------------------------------------------------------------------------------------------------------------------------------------------------------------------------------------------------------------------------|
| <ul style="list-style-type: none"> 1 Base de T150 Force Feedback 2 Volante 3 2 levas de cambio secuenciales (Up y Down) 4 D-Pad multidireccional 5 Interruptor selector de USB de PS4™ o PS3™ 6 Botón MODE + luz indicadora roja/verde | <ul style="list-style-type: none"> 7 Botones SELECT/START en PS3™ y SHARE/OPTIONS en PS4™ 8 Botón PS 9 Agujero roscado grande (para sistema de fijación y tornillo de apriete) 10 Sistema de fijación 11 Tornillo de fijación metálico |
|----------------------------------------------------------------------------------------------------------------------------------------------------------------------------------------------------------------------------------------------------------------------------------------------------|-------------------------------------------------------------------------------------------------------------------------------------------------------------------------------------------------------------------------------------------------------------------------------------------|



- | | |
|---------------------------------------------------------------------------------------------------------------------------------------------------------------------------------------------------------------|----------------------------------------------------------------------------------------------------------------------------------------------------------------------------------------------------------------------------|
| <ul style="list-style-type: none"> 12 Eje de dirección 13 Botones L3/R3 14 Cable de alimentación o Conector de fuente de alimentación (tipo A o B) (varía de un país a otro) | <ul style="list-style-type: none"> 15 Conector y cable USB del volante de carreras 16 Conector del cambio de marchas (caja de cambios) (se vende por separado) 17 Conector de los pedales |
|---------------------------------------------------------------------------------------------------------------------------------------------------------------------------------------------------------------|----------------------------------------------------------------------------------------------------------------------------------------------------------------------------------------------------------------------------|

¡CONEXIÓN DEL VOLANTE DE CARRERAS A UN ENCHUFE ELÉCTRICO: LEER ANTES DE CONTINUAR!

La fuente de alimentación del volante de carreras varía en función del país en el que hayas comprado el dispositivo.

Sólo versiones europeas

Nota importante: La versión europea del T150 Force Feedback está equipada con una fuente de alimentación interna, situada directamente en el interior de la base del volante de carreras.

¡La versión europea se debe conectar exclusivamente a una corriente de 220 V!
¡No abrir nunca la base del volante de carreras, riesgo de descarga eléctrica!



Power Supply
220~240V 50Hz 0.8A

- Basta con conectar el enchufe eléctrico del volante de carreras a una toma eléctrica de 220 V.

Otras versiones (no europeas)

Nota: Al contrario que sucede con la versión europea, los T150 Force Feedback no europeos incluyen una fuente de alimentación externa; se proporciona un dispositivo específico con el volante de carreras.

- Conecta el adaptador externo al conector correspondiente situado en la parte trasera del volante de carreras y luego conecta el adaptador de corriente eléctrica externo a una toma eléctrica estándar con el mismo voltaje.

ADVERTENCIAS

Antes de utilizar este producto, lee detenidamente este manual y consévalo para consultarlo posteriormente.



Advertencia – Descarga eléctrica

- * Mantén el producto en un lugar seco y no lo expongas al polvo ni a la luz directa del sol.
- * No retuerzas ni tires de los conectores ni de los cables.
- * No derrames líquidos en el producto ni en sus conectores.
- * No cortocircuites el producto.
- * No desmontes nunca el producto ni lo lances al fuego ni lo expongas a temperaturas elevadas.
- * No utilices otro cable de fuente de alimentación distinto del proporcionado con el volante de carreras.
- * No utilices el cable de fuente de alimentación si el cable o los conectores están dañados, partidos o rotos.
- * Asegúrate de que el cable de fuente de alimentación esté enchufado correctamente en un enchufe eléctrico, y conectado correctamente al conector de la parte trasera de la base del volante de carreras.
- * No abras el volante de carreras: en el interior no hay piezas que el usuario pueda arreglar. Las reparaciones las debe realizar el fabricante, su representante autorizado o un técnico cualificado.
- * Utiliza únicamente sistemas de fijación/accesorios especificados por el fabricante.
- * Si el volante de carreras se comporta de forma anormal (si emite sonidos anormales, calor u olores), deja de utilizarlo inmediatamente, desenchufa el cable de fuente de alimentación del enchufe eléctrico y desconecta los demás cables.
- * Si no vas a utilizar el volante de carreras durante un período de tiempo prolongado, desenchufa su cable de fuente de alimentación del enchufe eléctrico.



Rejillas de ventilación

Asegúrate de no bloquear ninguna de las rejillas de ventilación de la base del volante de carreras. Para obtener una ventilación óptima, respeta los puntos siguientes:

- * Coloca la base del volante al menos a 10 cm de distancia de las paredes.
- * No coloques la base en espacios estrechos.
- * No tapes la base.
- * No dejes que se acumule polvo en las rejillas de ventilación.



Por razones de seguridad, no uses nunca los pedales con los pies descalzos o únicamente con calcetines en los pies.

THRUSTMASTER® DECLINA TODA RESPONSABILIDAD EN CASO DE LESIONES PRODUCTO DEL USO DE LOS PEDALES SIN CALZADO.



Advertencia – Lesiones debidas al Force Feedback y los movimientos repetitivos

Jugar con un volante con Force Feedback puede producir dolor en las articulaciones o en los músculos. Para evitar problemas:

- * Evita jugar durante períodos prolongados.
- * Haz descansos de 10 a 15 minutos por cada hora de juego.
- * Si sientes fatiga o dolor en las manos, muñecas, brazos, pies o piernas, deja de jugar y descansa durante unas horas antes de volver a jugar.



Advertencia – Lesiones debidas a Force Feedback y los movimientos repetitivos (continuación)

- * Si los síntomas o el dolor indicados anteriormente persisten cuando vuelves a jugar, deja de hacerlo y consulta al médico.
- * Mantén el volante fuera del alcance de los niños.
- * Durante el juego, mantén siempre ambas manos colocadas correctamente en el volante sin dejarlas completamente caídas.
- * Mientras estés jugando, no coloques nunca las manos ni los dedos debajo de los pedales, ni tampoco cerca de ellos.
- * Durante la calibración y el juego, no metas nunca las manos ni los brazos a través de las aberturas del volante de carreras.
- * Asegúrate de que la base del volante de carreras esté fijada correctamente, según las instrucciones de este manual.

PRODUCTO PESADO



El producto sólo puede ser manejado por usuarios de 14 años de edad como mínimo



¡Ten cuidado de no dejar caer el producto encima de ti o de otra persona!

SIEMPRE



NUNCA



NUNCA





Advertencia – Peligro de pillarse los dedos con los pedales mientras se juega

- * Mantén los pedales fuera del alcance de los niños.
- * Cuando juegues, no pongas nunca los dedos en los lados de los pedales ni cerca de ellos.
- * Cuando juegues, no pongas nunca los dedos sobre la base trasera de los pedales ni cerca de ella.
- * Cuando juegues, no pongas nunca los dedos sobre la base delantera de los pedales ni cerca de ella.

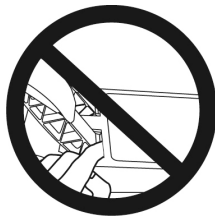
NUNCA



NUNCA



NUNCA



Advertencia – Peligro de pillarse los dedos con los pedales cuando no se juega

- * Guarda los pedales en un lugar seguro y lejos del alcance de los niños.

ACTUALIZACIÓN DEL FIRMWARE DEL VOLANTE DE CARRERAS

El firmware incluido en la base del volante de carreras se puede actualizar a una versión más reciente que incluya mejoras del producto.

Para mostrar la versión de firmware que está usando actualmente tu volante de carreras y actualizarla si es necesario: en PC, visita <http://ts.thrustmaster.com>. En la sección **Updates and Downloads**, haz clic en **PlayStation® / Wheels / T150 Force Feedback** y, a continuación, selecciona **Driver/Firmware** y sigue las instrucciones que describen el procedimiento de descarga e instalación.

AJUSTE DE LA INCLINACIÓN DE LOS PEDALES

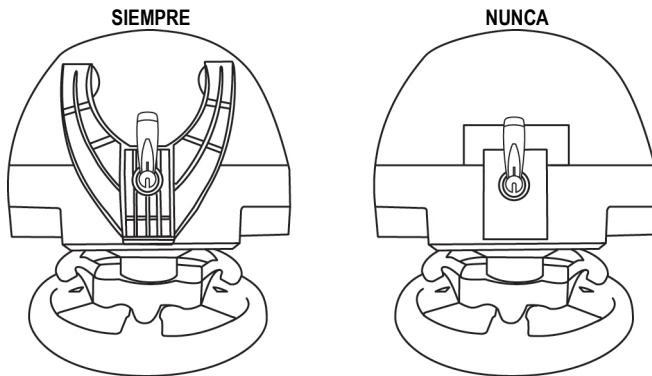
La inclinación de los pedales se puede ajustar.

Las instrucciones de ajuste de cada pedal están disponibles en <http://ts.thrustmaster.com>. En la sección **Updates and Downloads**, haz clic en **PlayStation® / Wheels / T150 Force Feedback** y, a continuación, selecciona **Manual/Help file**.

FIJACIÓN DEL VOLANTE DE CARRERAS

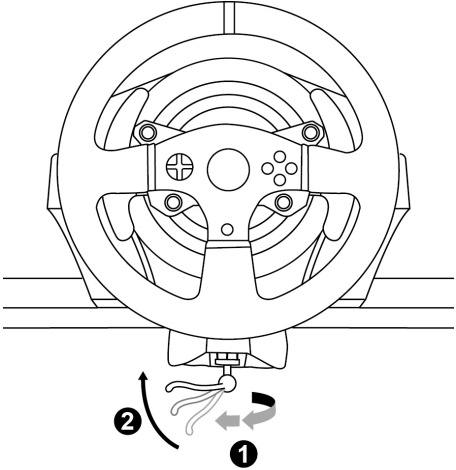
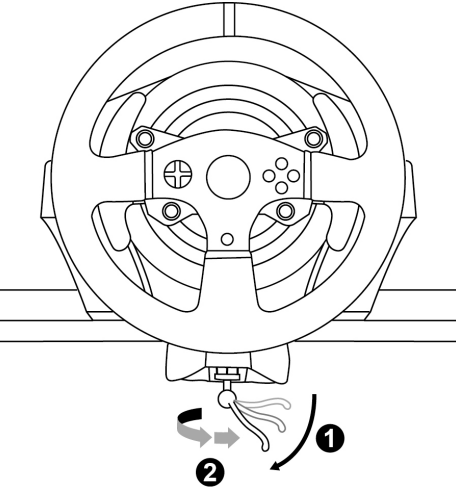
Fijación del volante de carreras a una mesa o un escritorio

1. Coloca el volante de carreras en una mesa o en otra superficie horizontal, plana y estable.
2. Inserta el tornillo de sujeción (11) en el sistema de fijación (10) y, a continuación, aprieta el dispositivo girando el tornillo a la izquierda, para que entre en el agujero roscado grande (9) situado debajo del volante de carreras, hasta que el volante esté perfectamente estable.



ADVERTENCIA: ¡No aprietes nunca el tornillo solo, sin el sistema de fijación en su sitio!

(De hacerlo así, se podría dañar el volante).

| COLOCACIÓN / RETIRADA | INDICACIÓN |
|------------------------------------------------------------------------------------------|------------------------------------------------------------------------------------|
| <p><u>Para apretar:</u></p> <p><i>Gira el tornillo hacia la izquierda</i></p> |  |
| <p><u>Para aflojar:</u></p> <p><i>Gira el tornillo hacia la derecha</i></p> |  |

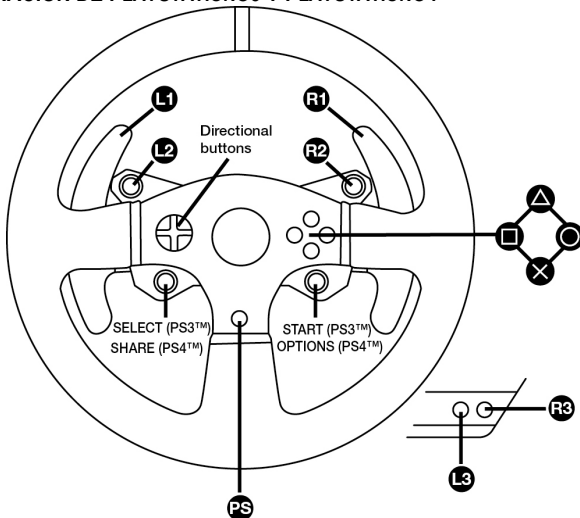
Fijación del volante de carreras a una cabina

1. Fija los pedales usando los agujeros roscados pequeños situados en su cara inferior.
2. Pasa dos tornillos M6 (no incluidos) a través del estante de la cabina e insértalos en los dos agujeros roscados pequeños situados en la cara inferior de los pedales.

Importante: La longitud de los dos tornillos M6 no debe exceder el grosor del estante + 10 mm; tornillos más largos podrían dañar los componentes internos situados en los pedales.

Los **diagramas de diseño para cabinas** (para colocar la base del volante de carreras y/o los pedales) están disponibles en <http://ts.thrustmaster.com>: en la sección **Updates and Downloads**, haz clic en **PlayStation® / Wheels / T150 Force Feedback** y, a continuación, selecciona **Manual/Help file**.

ASIGNACIÓN DE PLAYSTATION®3 Y PLAYSTATION®4



CONFIGURACIÓN DEL VOLANTE DE CARRERAS PARA SISTEMAS PLAYSTATION®3 O PLAYSTATION®4

1. Conecta los pedales al conector (17) situado en la parte trasera de la base del volante de carreras.
2. Conecta el cable de fuente de alimentación al conector (14) situado en la parte trasera de la base del volante de carreras.
3. Enchufa el cable de fuente de alimentación a un enchufe eléctrico con las mismas especificaciones de tensión.



Para más información sobre esto, consulta la sección CONEXIÓN DEL VOLANTE DE CARRERAS A UN ENCHUFE ELÉCTRICO, en la página 3 de este manual.

4. Pon el interruptor selector de USB (5) de la base del volante de carreras en la posición PS3™ o PS4™, en función de la consola o el juego que estés usando.
5. Conecta el conector USB del volante de carreras (15) a uno de los puertos USB de la consola.
6. Una vez encendida la consola, el volante de carreras se calibrará solo automáticamente.
7. En el sistema PlayStation®4 (cuando el interruptor selector de USB está puesto en la posición de PS4™): pulsa el botón PS del volante (8) e inicia sesión en tu cuenta Sony Entertainment Network para poder usar el volante.

¡Ya estás preparado para jugar!

Notas importantes:

- El interruptor selector USB (5) de la base del volante de carreras siempre debe ponerse en la posición adecuada (PS3™ o PS4™) antes de conectar el cable USB del volante a la consola. Para cambiar la posición del interruptor selector, desconecta el cable USB de la consola y, a continuación, cambia la posición del interruptor antes de volver a conectar el cable USB a la consola.

- En el sistema PlayStation®3, el interruptor selector de USB (5) siempre debe ponerse en la posición PS3™:

* El volante se reconoce en la mayoría de los juegos como un volante T500RS.

* El volante está operativo en los juegos compatibles y en los menús de la consola.

* La función "PS" está operativa en el volante.

- En el sistema PlayStation®4, con el interruptor selector de USB (5) en la posición PS3™:

* El volante se reconoce en la mayoría de los juegos como un volante T500RS.

* El volante está operativo en los juegos compatibles, pero no en los menús de la consola.

* Las funciones "SHARE" y "PS" no están operativas en el volante.

- En el sistema PlayStation®4, con el interruptor selector de USB (5) en la posición PS4™:

* No olvides pulsar el botón PS del volante de carreras (8) para poder usar el volante.

* El volante se reconoce en la mayoría de los juegos como un volante T300 RS o T150 Force Feedback.

* El volante está operativo en los juegos compatibles y en los menús de la consola.

* Las funciones "SHARE" y "PS" están operativas en el volante.

- La lista de juegos de PlayStation®3 y PlayStation®4 compatibles con el T150 Force Feedback (junto con la posición requerida del interruptor selector de USB (5) según el juego que se esté jugando) está disponible en:

<http://ts.thrustmaster.com> (en la sección Updates and Downloads, haz clic en PlayStation®/Wheels / T150 Force Feedback).

Esta lista se actualiza regularmente.

CONFIGURACIÓN DEL VOLANTE DE CARRERAS PARA PC

Nota importante:

En PC, el interruptor deslizante de USB (5) de la base del volante de carreras siempre debe estar puesto en la posición PS3™.

1. Dirígete a <http://ts.thrustmaster.com> para descargar los controladores y el software de Force Feedback para PC. En la sección Updates and Downloads, haz clic en PC / Wheels / T150 Force Feedback y, a continuación, selecciona Drivers.

2. Una vez terminada la descarga, inicia la instalación y sigue las instrucciones en pantalla para conectar la clavija USB del volante al ordenador y terminar la instalación.

3. Una vez completada la instalación, haz clic en Terminar y reinicia el ordenador.

4. Selecciona Inicio / Todos los programas / Thrustmaster / FFB Racing Wheel / Panel de control para abrir la ventana Dispositivos de juego.

La ventana Dispositivos de juego muestra el nombre del volante de carreras T150 Force Feedback Racing Wheel con el estado OK.

5. Haz clic en Propiedades para configurar el volante en el panel de control del T150 Force Feedback:

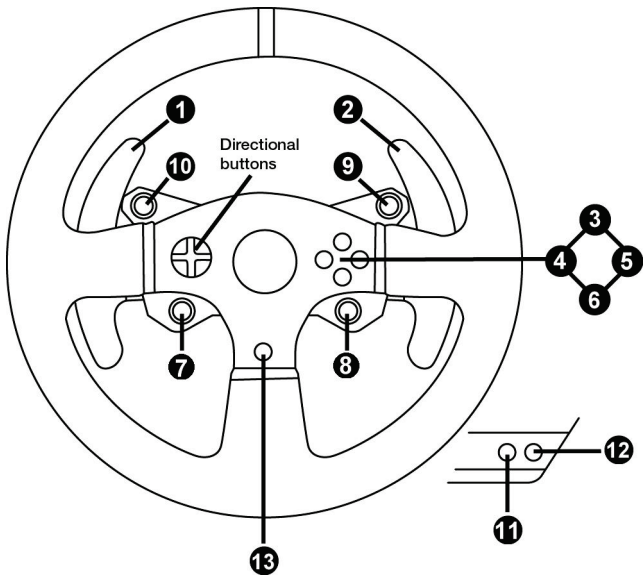
- Pestaña Test Input: permite probar y ver los botones de acción, botones de dirección, ejes del volante y los pedales, y ajustar el ángulo de rotación del volante en los juegos de PC.
- Pestaña Test Forces: permite probar los 12 efectos Force Feedback.
- Pestaña Gain Settings: permite ajustar la potencia de los efectos Force Feedback en los juegos de PC.

¡Ya estás preparado para jugar!

Notas generales:

- En PC, haz clic en Aceptar para cerrar la ventana Dispositivos de juego antes de ejecutar el juego.
- En PC, los ajustes realizados en la ventana Dispositivos de juego sólo se guardarán en el ordenador (por lo tanto no tendrán efecto en PlayStation®3 ni en PlayStation®4).
- La versión del firmware del volante se muestra en la esquina superior derecha de las pestañas del panel de control del T150 Force Feedback.

ASIGNACIÓN EN PC



CALIBRACIÓN AUTOMÁTICA DEL VOLANTE Y DE LOS PEDALES

El volante de carreras se calibra solo automáticamente cuando enchufas el volante de carreras a la red eléctrica y conectas el conector USB del volante de carreras a la consola. Durante esta fase, el volante de carreras girará rápidamente hacia la izquierda y la derecha, cubriendo un ángulo de 90 grados, antes de detenerse en el centro.



ADVERTENCIA:

**¡No toques nunca el volante de carreras durante la fase de autocalibración!
(Esto podría provocar una calibración incorrecta o lesiones personales).**

CALIBRACIÓN AUTOMÁTICA DE LOS PEDALES

No conectes nunca los pedales a la base del volante (ni los desconectes de la base) cuando esté conectada a la consola o durante el juego (esto podría provocar una calibración incorrecta). Conecta siempre los pedales antes de conectar el volante de carreras a la consola. Una vez que se ha realizado la calibración del volante de carreras y el juego se ha ejecutado, los pedales se calibran automáticamente tras presionarlos unas cuantas veces.



ADVERTENCIA:

**No pises nunca los pedales durante la fase de autocalibración del volante de carreras ni mientras se está cargando un juego!
(Esto podría provocar una calibración incorrecta).**

Si el volante de carreras y los pedales no funcionan correctamente o la calibración parece incorrecta:

Apaga la consola, desconecta por completo el volante de carreras, vuelve a conectar todos los cables (utilizando el cable de fuente de alimentación y los pedales) y reinicia la consola y el juego.

BOTÓN MODE Y LUZ INDICADORA (6)

Botón MODE de los pedales

Con el T150 Force Feedback se incluyen 2 pedales.

Al utilizar estos pedales, asegúrate de que la luz indicadora permanezca en rojo o el pedal del acelerador no funcionará correctamente.

El T150 Force Feedback también es compatible con los pedales de Thrustmaster que incluyan 3 pedales (*vendidos por separado*) que te permitirán intercambiar electrónicamente los pedales del acelerador y el embrague.

Para ello, simplemente pulsa el botón MODE (6) durante 2 segundos.

La memoria interna del volante de carreras almacena si los pedales se han intercambiado o no.

| PEDALES DEL ACELERADOR Y EL EMBRAGUE | Color de la luz indicadora MODE (6) |
|--------------------------------------|-------------------------------------|
| NORMAL | ROJO |
| INTERCAMBIADOS | VERDE |

Otros consejos para el botón MODE

Para obtener más información sobre el botón MODE y la luz indicadora, visita <http://ts.thrustmaster.com>. En la sección **Updates and Downloads**, haz clic en **PlayStation® / Wheels / T150 Force Feedback** y, a continuación, selecciona **Manual/Help file**.

COMPATIBILIDAD CON EL ECOSISTEMA DE PRODUCTOS DE THRUSTMASTER

La base del T150 Force Feedback es compatible con:

- Los siguientes pedales de Thrustmaster: T3PA*, T3PA-PRO* (Thrustmaster 3 Pedals Add-on) y los pedales del volante de carreras T500RS.
- Los siguientes cambios de marchas (cajas de cambios) de Thrustmaster: "TH8A*" y "TH8RS**".

* Se venden por separado (para obtener más información, visita

<http://www.thrustmaster.com/products/t150>).

ARCHIVOS DE AYUDA Y FAQ (NO INCLUIDOS EN ESTE MANUAL)

Visita <http://ts.thrustmaster.com> y en la sección **Updates and Downloads** haz clic en **PlayStation® / Wheels / T150 Force Feedback**. A continuación, selecciona **Manual/Help file**.

INFORMACIÓN DE GARANTÍA AL CONSUMIDOR

En todo el mundo, Guillemot Corporation S.A., cuyo domicilio legal se encuentra en Place du Granier, B.P. 97143, 35571 Chantepie, Francia (en lo sucesivo "Guillemot") garantiza al consumidor que este producto de Thrustmaster estará libre de defectos de materiales y mano de obra, durante un período de garantía que corresponde al límite de tiempo para interponer una acción legal referida a la conformidad en relación con este producto. En los países de la Unión Europea, esto corresponde a un período de dos (2) años a partir de la entrega del producto de Thrustmaster. En otros países, el período de garantía corresponde al límite de tiempo para interponer una acción legal referida a la conformidad en relación con este producto de Thrustmaster según las leyes aplicables del país en el que el consumidor estuviese domiciliado en la fecha de compra del producto de Thrustmaster (si no existiese una acción similar en el país correspondiente, entonces el período de garantía será de un (1) año a partir de la fecha de compra original del producto de Thrustmaster).

A pesar de lo anterior, las baterías recargables están cubiertas por un período de garantía de seis (6) meses a partir de la fecha de compra original.

Si el producto resultase defectuoso durante el período de garantía, hay que ponerse en contacto inmediatamente con el Soporte Técnico, que indicará el procedimiento a seguir. Si se confirma el defecto, el producto debe devolverse a su lugar de compra (o a cualquier otra ubicación indicada por el Soporte Técnico).

Dentro del contexto de esta garantía, el producto defectuoso del consumidor será sustituido o restaurado su funcionamiento correcto. Si, durante el período de garantía, el producto de Thrustmaster fuese sometido a dicho reacondicionamiento, cualquier período de cómo mínimo siete (7) días durante el que el producto no se pueda usar se añadirá al período de garantía restante (este período va desde la fecha de petición de intervención del consumidor o desde la fecha en la que el producto se entrega para el reacondicionamiento, si la fecha en la que el producto se entrega para el reacondicionamiento fuese posterior a la fecha de la petición de intervención). Si la ley aplicable lo permite, toda la responsabilidad de Guillemot y sus filiales (incluso por daños resultantes) se limita a la restauración del funcionamiento correcto o la sustitución del producto de Thrustmaster. Si la ley aplicable lo permite, Guillemot renuncia a todas las garantías de comerciabilidad o adecuación para un propósito determinado.

Esta garantía no se aplicará: (1) si el producto ha sido modificado, abierto, alterado o ha sufrido daños como resultado de un uso inapropiado o abuso, negligencia, accidente, desgaste normal, o cualquier otra causa no relacionada con un defecto de materiales o fabricación (incluyendo, pero no de forma exclusiva, la combinación del producto de Thrustmaster con cualquier elemento no adecuado, incluyendo en particular fuentes de alimentación, baterías recargables, cargadores o cualquier otro elemento no suministrado por Guillemot para este producto); (2) en caso de incumplimiento de las instrucciones proporcionadas por el Soporte Técnico; (3) a software, es decir software sujeto a una garantía específica; (2) en caso de incumplimiento de las instrucciones proporcionadas por el Soporte Técnico; (3) a software, es decir software sujeto a una garantía específica; (4) a consumibles (elementos que se tienen que reemplazar a lo largo de la vida del producto: por ejemplo, baterías desechables o almohadillas para auriculares de audio); (5) a accesorios (por ejemplo, cables, cajas, bolsas, bolsos o muñequeras); (6) si el producto se ha vendido en una subasta pública. (6) si el producto se ha vendido en una subasta pública.

Esta garantía no es transferible.

Los derechos legales del consumidor en relación con las leyes aplicables a la venta de productos de consumo de su país no se ven afectados por esta garantía.

Provisiones de garantía adicionales

Durante el período de garantía, Guillemot no proporcionará, en principio, ninguna pieza de repuesto, ya que el Soporte Técnico es el único autorizado para abrir y/o reacondicionar los productos de Thrustmaster (con la excepción de los procedimientos de reacondicionamiento que el Soporte técnico puede solicitar que lleve a cabo el consumidor, mediante instrucciones por escrito – por ejemplo, debido a la simplicidad y la falta de confidencialidad del proceso de reacondicionamiento – y suministrando al consumidor las piezas de repuesto necesarias, si hubiese falta).

Debido a sus ciclos de innovación y para proteger su know-how y secretos comerciales, Guillemot no proporcionará, en principio, ninguna pieza de repuesto ni instrucciones de reacondicionamiento para los productos de Thrustmaster cuyo período de garantía haya vencido.

En los Estados Unidos de América y en Canadá, esta garantía está limitada al mecanismo interno del producto y al alojamiento externo. En ningún caso, Guillemot ni sus filiales serán responsables ante terceros por daños resultantes o fortuitos resultado del incumplimiento de cualquier garantía expresa o implícita. En algunos estados o provincias no se permite la limitación de la duración de una garantía implícita ni la exclusión o limitación de responsabilidad por daños resultantes o fortuitos, por lo que las limitaciones o exclusiones anteriores pueden no ser aplicables. Esta garantía ofrece derechos legales específicos al consumidor, que también puede tener otros derechos que pueden variar de un estado a otro o de una provincia a otra.

Responsabilidad

Si la ley aplicable lo permite, Guillemot Corporation S.A. (en lo sucesivo "Guillemot") y sus filiales renuncian a toda responsabilidad por los daños causados por uno o más de los siguientes motivos: (1) el producto ha sido modificado, abierto o alterado; (2) incumplimiento de las instrucciones de montaje; (3) uso inapropiado o abuso, negligencia, accidente (un impacto, por ejemplo); (4) desgaste normal. Si la ley aplicable lo permite, Guillemot y sus filiales renuncian a toda responsabilidad por los daños no relacionados con defectos de materiales o fabricación en relación con el producto (incluyendo, pero no de forma exclusiva, los daños causados de forma directa o indirecta por cualquier software, o por combinar el producto de Thrustmaster con cualquier elemento no adecuado, incluyendo en particular fuentes de alimentación, baterías recargables, cargadores o cualquier otro elemento no suministrado por Guillemot para este producto).

DECLARACIÓN DE CONFORMIDAD

NOTICIA DE CONFORMIDAD EN USA: este dispositivo cumple con los límites para dispositivos de computación de Clase B de acuerdo con la Parte 15 de las reglas FCC.

COPYRIGHT

© 2015 Guillemot Corporation S.A. Todos los derechos reservados. Thrustmaster® es una marca registrada de Guillemot Corporation S.A. Fabricado y distribuido bajo licencia de Sony Computer Entertainment America LLC. PlayStation, el logotipo de la línea PS, PS3, PS4 y "ΔΟΧ□" son marcas comerciales registradas de Sony Computer Entertainment Inc. Todas las demás marcas registradas y nombres comerciales se reconocen por los presentes y son propiedad de sus respectivos dueños. Ilustraciones no definitivas. El contenido, la concepción y las especificaciones son susceptibles de cambiar sin previo aviso y varían según el país. Fabricado en China. TouchSense® Technology con licencia de Immersion Software Ireland Limited. Protegida por una o más de las patentes de Estados Unidos que se encuentran en la siguiente dirección www.immersion.com/patent-marking.html y otras patentes pendientes.

RECOMENDACIÓN DE PROTECCIÓN AMBIENTAL

Cumpla las leyes locales sobre reciclaje de equipos eléctricos y electrónicos.

Esta información debe conservarse. Los colores y motivos decorativos pueden variar. Los adhesivos y los cierres de plástico se deben quitar del producto antes de utilizarlo.

www.thrustmaster.com



immersion.





THRUSTMASTER®

SOPORTE TÉCNICO

<http://ts.thrustmaster.com>

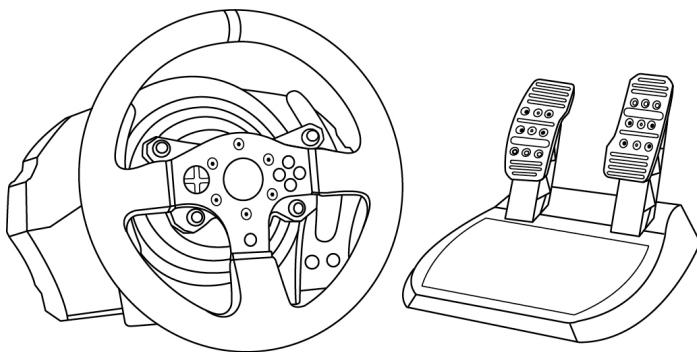


T150

FORCE FEEDBACK

POUR SYSTÈMES PLAYSTATION®3 – PLAYSTATION®4

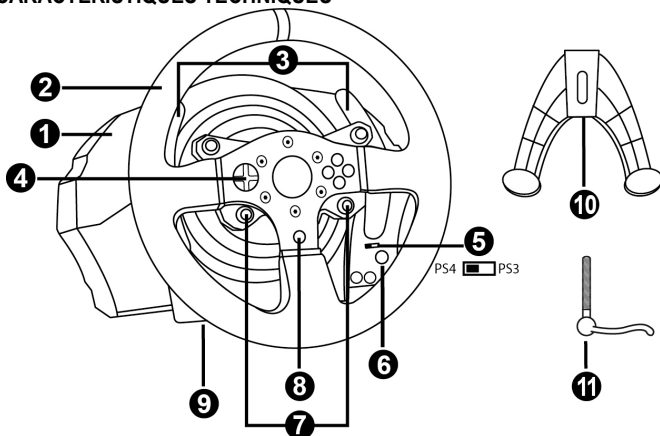
Manuel de l'utilisateur



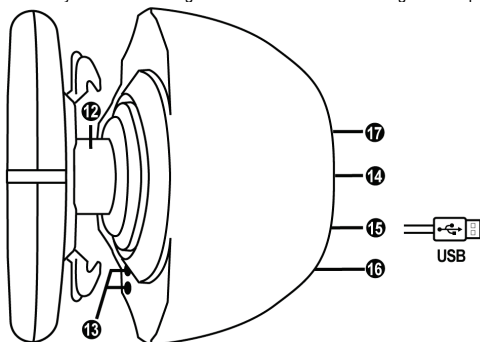
ATTENTION :

Pour que le volant T150 fonctionne correctement avec les jeux PlayStation®3 ou PlayStation®4, il peut être nécessaire d'installer les mises à jour automatiques de ces jeux (*disponibles lorsque votre console est connectée à Internet*).

CARACTÉRISTIQUES TECHNIQUES



- | | |
|-----------------------------------------------------------------|-------------------------------------------------------------------------|
| 1 Base T150 | 7 Boutons SELECT/START sur PS3™ et SHARE/OPTIONS sur PS4™ |
| 2 Roue du volant | 8 Bouton PS |
| 3 2 leviers séquentiels de changement de vitesse (Up & Down) | 9 Gros pas de vis (pour le système de fixation et la vis de serrage) |
| 4 Croix multidirectionnelle | 10 Système de fixation |
| 5 Sélecteur USB PS4™ ou PS3™ | 11 Vis de serrage métallique |
| 6 Bouton MODE + Voyant lumineux rouge/vert | |



- | | |
|----------------------------------------------------------------------------------------------|----------------------------------------------------------------|
| 12 Axe de direction | 15 Câble et connecteur USB du volant |
| 13 Boutons L3 / R3 | 16 Connecteur pour la boîte de vitesses (vendue séparément) |
| 14 Câble secteur ou Connecteur pour l'adaptateur secteur (diffère d'un pays à l'autre) | 17 Connecteur pour le pédalier |

RELIER LE VOLANT AU SECTEUR = A LIRE IMPERATIVEMENT

L'alimentation secteur de votre volant diffère selon le pays dans lequel vous avez acheté votre volant.

Pour les versions européennes (uniquement)

Remarque importante : l'alimentation du T150 version européenne est interne et donc située directement dans la base du volant.

La version européenne ne doit être branchée que sur du 220V. !
Ne jamais ouvrir la base du volant : risque de choc électrique !



Power Supply
220~240V 50Hz 0.8A

- Reliez tout simplement la prise secteur du volant sur une prise de courant 220V.

Pour les autres versions (non-européennes)

Remarque : à la différence de la version européenne, l'alimentation du T150 version non-européenne est externe avec un adaptateur secteur externe spécifique fourni.

- Reliez l'adaptateur secteur externe en branchant son connecteur à l'arrière du volant, puis branchez l'adaptateur secteur externe sur une prise de courant correspondant au même voltage.

AVERTISSEMENTS

Avant d'utiliser ce produit, lisez attentivement cette documentation et conservez-la pour pouvoir la consulter ultérieurement.



Avertissement – Choc électrique

- * Conservez le produit dans un endroit sec et ne l'exposez ni à la poussière ni au soleil.
- * Ne tordez pas et ne tirez pas sur les connecteurs et câbles.
- * Ne renversez pas de liquide sur le produit et ses connecteurs.
- * Ne mettez pas le produit en court-circuit.
- * Ne démontez jamais le produit, ne le jetez pas au feu et ne l'exposez pas à des températures élevées.
- * N'utilisez pas de câble d'alimentation autre que celui fourni avec votre volant.
- * N'utilisez pas le câble d'alimentation secteur si celui-ci où ses connecteurs sont endommagés, fendus ou cassés.
- * Assurez-vous que le câble d'alimentation secteur est parfaitement inséré dans la prise murale et dans son connecteur situé à l'arrière de la base du volant.
- * N'ouvrez pas l'appareil. L'appareil ne contient pas de pièces réparables par l'utilisateur. Confiez toute réparation au fabricant, à une agence spécifiée ou un technicien qualifié.
- * Utilisez uniquement les systèmes de fixation /accessoires spécifiés par le fabricant.
- * Si le volant fonctionne de manière anormale (s'il émet des sons, de la chaleur ou des odeurs anormales), arrêtez immédiatement de l'utiliser, débranchez le câble d'alimentation de la prise électrique et déconnectez les autres câbles.
- * Lorsque vous n'utilisez pas le volant pendant une période prolongée, débranchez le câble d'alimentation secteur de la prise électrique.



Grilles d'aération

Veillez à n'obstruer aucune grille d'aération de la base du volant. Pour assurer une ventilation optimale, respectez les points ci-après :

- * Placez la base à 10 cm au moins d'une surface murale.
- * Ne placez pas la base dans un endroit exigü.
- * Ne couvrez pas la base.
- * Ne laissez pas la poussière s'accumuler sur les grilles d'aération.



Pour des raisons de sécurité, ne jouez pas pieds nus ou en chaussettes lorsque vous utilisez le pédalier.

THRUSTMASTER® DECLINE TOUTE RESPONSABILITE EN CAS DE BLESSURE SUITE A UNE UTILISATION DU PEDALIER SANS CHAUSSURES.



Avertissement – Blessures dues au retour de force et aux mouvements répétitifs

Jouer avec un volant à retour de force peut causer des douleurs aux muscles et aux articulations. Afin d'éviter tout problème :

- * Evitez les périodes trop longues de jeu.
- * Faites une pause de 10 à 15 minutes après chaque heure de jeu.
- * Si vous éprouvez fatigue ou douleur au niveau des mains, des poignets, des bras, des pieds ou des jambes, cessez de jouer et reposez-vous pendant quelques heures avant de recommencer à jouer.



Avertissement – Blessures dues au retour de force et aux mouvements répétitifs (suite)

* Si les symptômes ou les douleurs indiqués ci-dessus persistent lorsque vous reprenez le jeu, arrêtez de jouer et consultez votre médecin.

* Laissez hors de portée des enfants.

* Lors des phases de jeu, laissez toujours vos deux mains correctement positionnées sur le volant sans jamais le lâcher complètement.

* Lors des phases de jeu, ne placez jamais vos mains ou vos doigts sous les pédales ou à proximité du pédalier.

* Lors des phases de calibration et de jeu, ne jamais introduire une main ou un bras à l'intérieur de la roue du volant.

* Vérifiez que la base du volant est correctement fixée, conformément aux instructions du manuel.

PRODUIT LOURD



Produit à manipuler uniquement par des personnes âgées de 14 ans ou plus



Ne pas laisser tomber le produit sur vous ou une autre personne

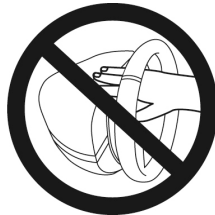
TOUJOURS



JAMAIS



JAMAIS





Avertissement – Risque de pincement au niveau du pédalier lors des phases de jeu

- * Laissez le pédalier hors de portée des enfants.
- * Lors des phases de jeu, ne placez jamais vos doigts sur ou à proximité des côtés des pédales.
- * Lors des phases de jeu, ne placez jamais vos doigts sur ou à proximité de la base arrière des pédales.
- * Lors des phases de jeu, ne placez jamais vos doigts sur ou à proximité de la base avant des pédales.

JAMAIS



JAMAIS



JAMAIS



Avertissement – Risque de pincement au niveau du pédalier lorsque vous n'utilisez pas le pédalier

- * Placez le pédalier dans un endroit sûr et hors de portée des enfants.

METTRE A JOUR LE FIRMWARE DU VOLANT

Le firmware inclus dans la base du volant peut être mis à jour (ce qui signifie qu'il peut être mis à jour par des versions plus récentes comportant des améliorations produits).

Pour afficher la version de firmware de votre volant et le mettre à jour si nécessaire : sur PC, allez sur <http://ts.thrustmaster.com>, dans la section **Mise à jour et téléchargement**, cliquez sur **PlayStation® / Volant / T150** puis **Pilote/Firmware** et suivez les instructions et la procédure de téléchargement et d'installation.

AJUSTEMENT DE L'INCLINAISON DES PEDALES

L'inclinaison des pédales est ajustable.

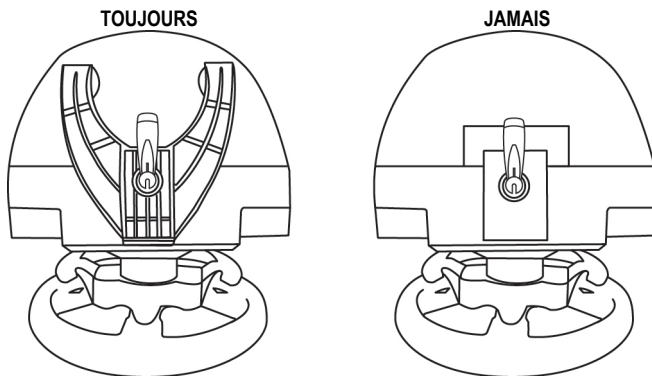
Les instructions d'ajustement de l'inclinaison de chaque pédale sont disponibles sur

<http://ts.thrustmaster.com>. Dans la section **Mise à jour et téléchargement**, cliquez sur **PlayStation® / Volant / T150**, puis **Manuel / Fichier aide**.

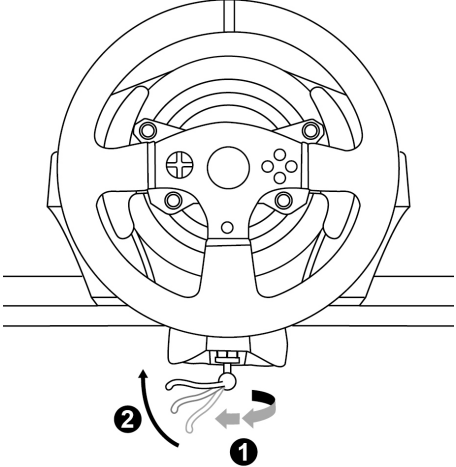
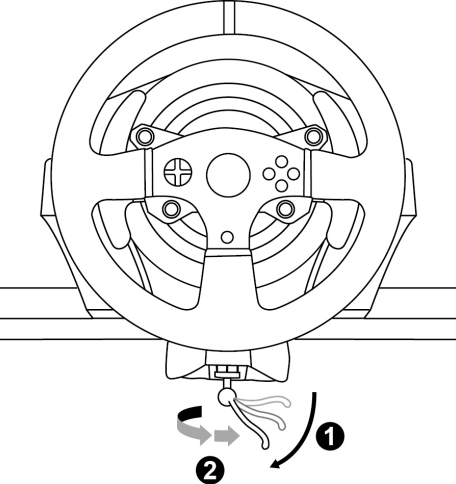
FIXATION DU VOLANT

Fixer le volant sur une table ou un bureau

1. Placez le volant sur une table ou autre surface plane.
2. Placez la vis de serrage (11) dans le système de fixation (10), puis vissez l'ensemble (dans le sens inverse des aiguilles d'une montre) dans le gros pas de vis (9) situé sous le volant, jusqu'à ce que ce dernier soit parfaitement stable.



ATTENTION : Ne jamais visser la vis de serrage seule sans le système de fixation !
(au risque de détériorer le volant).

| MONTAGE / DEMONTAGE | SENS |
|---------------------------------------------------------------------------------------------------------------------|------------------------------------------------------------------------------------|
| <p><u>Pour serrer :</u></p> <p><i>Vissez dans le sens inverse des aiguilles d'une montre</i></p> |  |
| <p><u>Pour desserrer :</u></p> <p><i>Dévissez dans le sens des aiguilles d'une montre</i></p> |  |

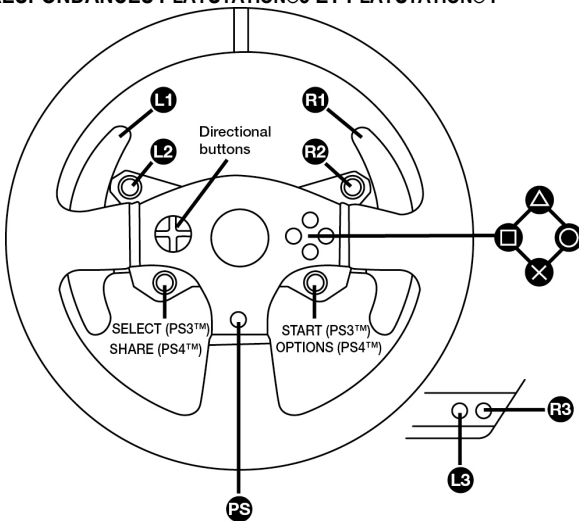
Fixer le pédalier sur un cockpit

1. Fixez le pédalier à l'aide des petits pas de vis situés sous ce dernier.
2. Vissez 2 vis M6 (non fournies) dans la tablette du cockpit et dans les 2 petits pas de vis situés sous le pédalier.

Important : La longueur de ces 2 vis M6 ne doit pas dépasser l'épaisseur de votre support +10 mm pour ne pas endommager les composants internes au pédalier.

Plan d'implantation (de la base ou du pédalier) pour les cockpits disponible sur <http://ts.thrustmaster.com>, (dans la rubrique PlayStation® / Volants / T150 / Manuel – Fichier Aide)

CORRESPONDANCES PLAYSTATION®3 ET PLAYSTATION®4



INSTALLATION SUR SYSTÈMES PLAYSTATION®3 OU PLAYSTATION®4

1. Reliez le pédalier à son connecteur (17) situé à l'arrière de la base du volant.
2. Reliez le câble d'alimentation à son connecteur (14) situé à l'arrière de la base du volant.
3. Reliez le câble d'alimentation sur une prise de courant ayant le même voltage.



Pour plus d'informations sur ce point, reportez-vous au chapitre RELIER LE VOLANT AU SECTEUR (p.3 de ce manuel).

4. Positionnez le sélecteur USB (5) de la base du volant en position PS3™ ou PS4™ en fonction de la console ou du jeu utilisé(e).
5. Branchez le connecteur USB (15) du volant sur l'un des ports USB de la console.
6. Une fois votre console allumée, votre volant s'autocalibre de manière automatique.
7. Sur système PlayStation®4 (lorsque le sélecteur USB est en position PS4™), appuyez sur le bouton PS (8) du volant, puis connectez-vous à votre compte Sony Entertainment Network pour que votre volant soit fonctionnel.

Vous êtes maintenant prêt à jouer !

Remarques importantes :

- Le sélecteur USB (5) de la base du volant du toujours être positionné dans la bonne position (PS3™ ou PS4™) avant de brancher l'USB du volant à la console.

Pour changer de position, débranchez le câble USB, puis changez la position du sélecteur avant de rebrancher le câble USB à la console.

- Sur système PlayStation®3, le sélecteur USB (5) doit toujours être en position PS3™ :

* Le volant est reconnu dans la plupart des jeux comme un volant T500RS.

* Le volant est fonctionnel dans les jeux compatibles et dans les menus de la console.

* La fonction PS est fonctionnelle sur le volant.

- Sur système PlayStation®4, avec le sélecteur USB (5) en position PS3™ :

* Le volant est reconnu dans la plupart des jeux comme un volant T500RS.

* Le volant est fonctionnel dans les jeux compatibles mais pas dans les menus de la console.

* Les fonctions SHARE et PS ne sont pas fonctionnelles sur le volant.

- Sur système PlayStation®4, avec le sélecteur USB (5) en position PS4™ :

* N'oubliez pas d'appuyer sur bouton PS (8) du volant pour que celui-ci soit fonctionnel.

* Le volant est reconnu dans la plupart des jeux comme un volant T300 RS ou T150.

* Le volant est fonctionnel dans les jeux compatibles et dans les menus de la console.

* Les fonctions SHARE et PS sont fonctionnelles sur le volant.

- La liste des jeux PlayStation®3 et PlayStation®4 compatibles avec le T150 (ainsi que la position nécessaire du sélecteur USB en fonction du jeu utilisé) est disponible ici :

<http://ts.thrustmaster.com> (dans la rubrique PlayStation® / Volants / T150).

Cette liste est régulièrement mise à jour.

INSTALLATION SUR PC

Remarque importante :

Pour fonctionner sur PC, le sélecteur USB (5) de la base du volant doit toujours être en position PS3™.

1. Allez sur <http://ts.thrustmaster.com> pour télécharger les pilotes et le logiciel Force Feedback pour PC. Dans la section Mise à jour et téléchargement, cliquez sur PC / Volants / T150, puis Pilotes.

2. Une fois le téléchargement terminé, lancez l'installation, puis suivez les instructions affichées à l'écran pour brancher le connecteur USB du volant sur votre PC et pour terminer l'installation.

3. Une fois l'installation terminée, cliquez sur Terminer et redémarrez votre ordinateur.

4. Sélectionnez Démarrer / Tous les programmes / Thrustmaster / FFB Racing Wheel / Panneau de configuration pour ouvrir la fenêtre Contrôleurs de jeu.

La fenêtre Contrôleurs de jeu affiche le nom du volant Thrustmaster T150 Racing Wheel avec l'état OK.

5. Cliquez sur Propriétés pour configurer votre volant dans le panneau de configuration du T150 :

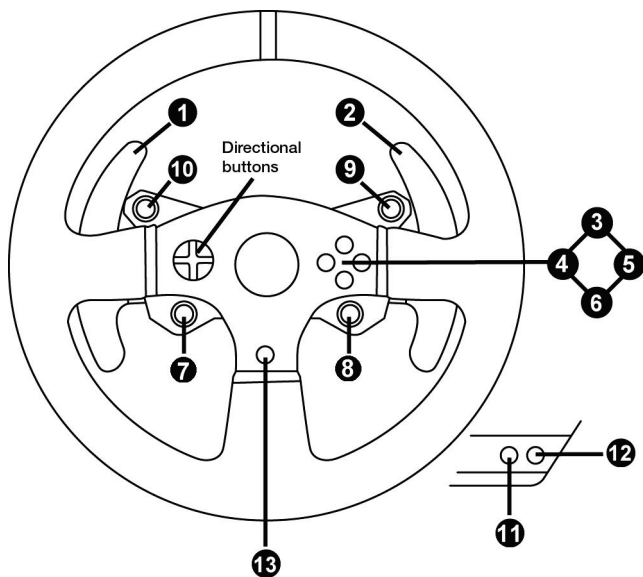
- Onglet Test du périphérique : permet de tester et visualiser les boutons, la croix multidirectionnelle, les axes du volant et du pédalier, et d'ajuster l'angle de rotation du volant dans vos jeux PC.
- Onglet Tester les forces : permet de tester 12 effets de retour de force.
- Onglet Ajuster les forces : permet d'ajuster la puissance des effets de retour de force dans vos jeux PC.

Vous êtes maintenant prêt à jouer !

Remarques générales :

- Sur PC, pensez à toujours fermer complètement la fenêtre Contrôleurs de jeu en cliquant sur OK avant de lancer votre jeu.
- Sur PC, les réglages et ajustements effectués dans la fenêtre Contrôleurs de jeu ne seront sauvegardés que sur votre PC (et n'auront donc aucune incidence sur PlayStation®3 ou PlayStation®4).
- La version du firmware de votre volant apparaît en haut à droite dans les onglets du panneau de configuration T150.

CORRESPONDANCES PC



CALIBRAGE AUTOMATIQUE DU VOLANT ET DES PEDALES

La roue du volant s'autocalibre de manière automatique une fois le volant relié au secteur et le connecteur USB connecté.

Cette opération entraîne des mouvements rapides du volant de gauche à droite sur 900° avant de s'immobiliser au centre.



ATTENTION :

Lors des phases d'autocalibration de la roue du volant, ne jamais toucher au volant (au risque de fausser la calibration ou de se blesser).

CALIBRAGE AUTOMATIQUE DES PEDALES

Ne jamais débrancher ou brancher le pédalier de la base du volant lorsque celui-ci est connecté à la console ni en cours de jeu (pour ne pas fausser la calibration)

= le pédalier doit toujours être branché avant de relier le volant à la console.

Une fois le volant autocalibré et le jeu lancé, les pédales se calibrent automatiquement après quelques pressions.



ATTENTION :

Lors des phases d'autocalibration de la roue du volant et lorsque votre jeu se lance, ne jamais appuyer sur les pédales (au risque de fausser la calibration)

Si votre volant et vos pédales ne fonctionnent pas correctement ou semblent mal calibrés :

Eteignez votre console, déconnectez entièrement votre volant, reconnectez tous les câbles (avec le câble d'alimentation secteur et le pédalier), redémarrez et relancez votre jeu.

BOUTON MODE ET SON VOYANT LUMINEUX (6)

Bouton MODE pour le pédalier

Le pédalier livré par défaut avec le T150 est de type 2 pédales.

Avec ce pédalier, la couleur du voyant lumineux doit toujours être rouge, sinon la pédale d'accélérateur ne fonctionnera pas.

Le T150 est également compatible avec des pédales Thrustmaster 3 pédales (*vendus séparément*) dont vous pouvez inverser électroniquement la pédale d'accélérateur et d'embrayage. Pour ce faire, appuyez simplement sur le bouton MODE (6) pendant 2 secondes.

L'inversion ou non des pédales est alors instantanément enregistrée dans la mémoire interne du volant.

| PEDALE D'ACCELERATEUR ET D'EMBRAYAGE | Couleur du voyant lumineux MODE (6) |
|--------------------------------------|-------------------------------------|
| NORMALE | ROUGE |
| INVERSEE | VERT |

Autres astuces pour le bouton MODE

Pour profiter d'autres astuces concernant le bouton MODE et son voyant lumineux, allez sur <http://ts.thrustmaster.com>. Dans la section **Mise à jour et téléchargement**, cliquez sur **PlayStation® / Volant / T150** puis **Manuel / Fichier Aide**.

COMPATIBILITE AVEC L'ECOSYSTEME THRUSTMASTER

La base du T150 est compatible avec :

- Les pédaliers Thrustmaster : T3PA* et T3PA-PRO* (Thrustmaster 3 Pedals Add-on) et le pédalier du T500RS.
- Les boîtes de vitesses Thrustmaster : TH8A* et TH8RS*.

* Vendus séparément (plus d'infos sur <http://www.thrustmaster.com/products/t150>)

AIDES & FAQ DIVERSES (non notifiées dans ce manuel)

Allez sur <http://ts.thrustmaster.com>. Dans la section **Mise à jour et téléchargement**, cliquez sur **PlayStation® / Volant / T150** puis **Manuel / Fichier Aide**.

INFORMATIONS RELATIVES A LA GARANTIE AUX CONSOMMATEURS

Dans le monde entier, Guillemot Corporation S.A., ayant son siège social Place du Granier, B.P. 97143, 35571 Chantepie, France (ci-après « Guillemot ») garantit au consommateur que le présent produit Thrustmaster est exempt de défaut matériel et de vice de fabrication, et ce, pour une période de garantie qui correspond au délai pour intenter une action en conformité de ce produit. Dans les pays de l'Union Européenne, ce délai est de deux (2) ans à compter de la délivrance du produit Thrustmaster. Dans les autres pays, la durée de la période de garantie correspond au délai pour intenter une action en conformité du produit Thrustmaster selon la législation en vigueur dans le pays où le consommateur avait son domicile lors de l'achat du produit Thrustmaster (si une telle action en conformité n'existe pas dans ce pays alors la période de garantie est de un (1) an à compter de la date d'achat d'origine du produit Thrustmaster).

Nonobstant ce qui précède, les batteries sont garanties six (6) mois à compter de la date d'achat d'origine. Si, au cours de la période de garantie, le produit semble défectueux, contactez immédiatement le Support Technique qui vous indiquera la procédure à suivre. Si le défaut est confirmé, le produit devra être retourné à son lieu d'achat (ou tout autre lieu indiqué par le Support Technique).

Dans le cadre de la garantie, le consommateur bénéficiera, au choix du Support Technique, d'un remplacement ou d'une remise en état de marche du produit défectueux. Si, pendant la période de garantie, le produit Thrustmaster fait l'objet d'une telle remise en état, toute période d'immobilisation d'au moins sept jours vient s'ajouter à la durée de la garantie qui restait à courir (cette période court à compter de la demande d'intervention du consommateur ou de la mise à disposition pour remise en état du produit en cause, si cette mise à disposition est postérieure à la demande d'intervention). Lorsque la loi applicable l'autorise, toute responsabilité de Guillemot et ses filiales (y compris pour les dommages indirects) se limite à la remise en état de marche ou au remplacement du produit Thrustmaster. Lorsque la loi applicable l'autorise, Guillemot exclut toutes garanties de qualité marchande ou d'adaptation à un usage particulier.

Cette garantie ne s'appliquera pas : (1) si le produit a été modifié, ouvert, altéré, ou a subi des dommages résultant d'une utilisation inappropriée ou abusive, d'une négligence, d'un accident, de l'usure normale, ou de toute autre cause non liée à un défaut matériel ou à un vice de fabrication (y compris, mais non limitativement, une combinaison du produit Thrustmaster avec tout élément inadapté, notamment alimentations électriques, batteries, chargeurs, ou tous autres éléments non-fournis par Guillemot pour ce produit) ; (2) en cas de non respect des instructions du Support Technique ; (3) aux logiciels, lesdits logiciels faisant l'objet d'une garantie spécifique ; (4) aux consommables (éléments à remplacer pendant la durée de vie du produit : piles, coussinets de casque audio, par exemple) ; (5) aux accessoires (câbles, étuis, housses, sacs, dragonnes, par exemple) ; (6) si le produit a été vendu aux enchères publiques.

Cette garantie n'est pas transférable.

Les droits légaux du consommateur au titre de la législation applicable dans son pays à la vente de biens de consommation ne sont pas affectés par la présente garantie.

Par exemple, en France, indépendamment de la présente garantie, le vendeur reste tenu de la garantie légale de conformité mentionnée aux articles L. 211-4 à L. 211-13 du code de la consommation et de celle relative aux défauts (vices cachés) de la chose vendue, dans les conditions prévues aux articles 1641 à 1648 et 2232 du code civil. La loi applicable (c'est-à-dire la loi française) impose de reproduire les extraits de la loi française suivants :

Article L. 211-4 du code de la consommation :

Le vendeur est tenu de livrer un bien conforme au contrat et répond des défauts de conformité existant lors de la délivrance.

Il répond également des défauts de conformité résultant de l'emballage, des instructions de montage ou de l'installation lorsque celle-ci a été mise à sa charge par le contrat ou a été réalisée sous sa responsabilité.

Article L. 211-5 du code de la consommation :

Pour être conforme au contrat, le bien doit :

1° Etre propre à l'usage habituellement attendu d'un bien semblable et, le cas échéant :

- correspondre à la description donnée par le vendeur et posséder les qualités que celui-ci a présentées à l'acheteur sous forme d'échantillon ou de modèle ;
- présenter les qualités qu'un acheteur peut légitimement attendre eu égard aux déclarations publiques faites par le vendeur, par le producteur ou par son représentant, notamment dans la publicité ou l'étiquetage ;

2° Ou présenter les caractéristiques définies d'un commun accord par les parties ou être propre à tout usage spécial recherché par l'acheteur, porté à la connaissance du vendeur et que ce dernier a accepté.

Article L. 211-12 du code de la consommation:

L'action résultant du défaut de conformité se prescrit par deux ans à compter de la délivrance du bien.

Article L. 1641 du code civil:

Le vendeur est tenu de la garantie à raison des défauts cachés de la chose vendue qui la rendent impropre à l'usage auquel on la destine, ou qui diminuent tellement cet usage que l'acheteur ne l'aurait pas acquise, ou n'en aurait donné qu'un moindre prix, s'il les avait connus.

Article L. 1648 alinéa 1er du code civil:

L'action résultant des vices rédhibitoires doit être intentée par l'acquéreur dans un délai de deux ans à compter de la découverte du vice.

Stipulations additionnelles à la garantie

Pendant la période de garantie, Guillemot ne fournira, en principe, pas de pièce détachée car le Support Technique est seul habilité tant à ouvrir qu'à remettre en état tout produit Thrustmaster (à l'exception des remises en état que le Support Technique demanderait, par instructions écrites, au consommateur d'effectuer -par exemple en raison de la simplicité et de l'absence de confidentialité du processus de remise en état-, en lui fournissant, le cas échéant, la ou les pièces détachées nécessaires).

Compte tenu de ses cycles d'innovation et pour préserver ses savoir-faire et secrets, Guillemot ne fournira, en principe, ni notice de remise en état, ni pièce détachée pour tout produit Thrustmaster dont la période de garantie est expirée.

Aux États-Unis d'Amérique et au Canada, la présente garantie est limitée au mécanisme interne et au boîtier externe du produit. En aucun cas, Guillemot ou ses sociétés affiliées ne sauraient être tenues responsables envers qui que ce soit de tous dommages indirects ou dommages accessoires résultant du non respect des garanties expresses ou implicites. Certains États/Provinces n'autorisent pas la limitation sur la durée d'une garantie implicite, ou l'exclusion ou la limitation de responsabilité pour les dommages indirects ou accessoires, de sorte que les limitations ou exclusions ci-dessus peuvent ne pas vous être applicables. Cette garantie vous confère des droits spécifiques ; vous pouvez également bénéficier d'autres droits qui peuvent différer d'un État/Province à l'autre.

Responsabilité

Lorsque la loi applicable l'autorise, Guillemot Corporation S.A. (ci-après « Guillemot ») et ses filiales excluent toute responsabilité pour tous dommages causés par un ou plusieurs des faits suivants: (1) le produit a été modifié, ouvert, altéré, (2) l'irrespect des instructions de montage, (3) l'utilisation inappropriée ou abusive, la négligence, l'accident (un choc, par exemple), (4) l'usure normale du produit. Lorsque la loi applicable l'autorise, Guillemot et ses filiales excluent toute responsabilité pour tout dommage dont la cause n'est pas liée à un défaut matériel ou à un vice de fabrication du produit (y compris, mais non limitativement, tout dommage causé directement ou indirectement par tout logiciel, ou par une combinaison du produit Thrustmaster avec tout élément inadapté, notamment alimentations électriques, batteries, chargeurs, ou tous autres éléments non-fournis par Guillemot pour ce produit).

DECLARATION DE CONFORMITE

UTILISATEURS CANADIENS :

Cet appareil numérique de la classe B respecte toutes les exigences du Règlement sur le matériel brouilleur du Canada.

COPYRIGHT

© 2015 Guillemot Corporation S.A. Tous droits réservés. Thrustmaster® est une marque déposée de Guillemot Corporation S.A.

Fabriqué et distribué par Guillemot Corporation S.A. sous licence de Sony Computer Entertainment America LLC. PlayStation, le logo PS Family, PS3, PS4 et "ΔOX□" sont des marques de Sony Computer Entertainment Inc. Toutes les autres marques déposées et noms commerciaux sont reconnus par les présentes et sont la propriété de leurs propriétaires respectifs. Illustrations non contractuelles. Le contenu, la conception et les spécifications sont susceptibles de changer sans préavis et de varier selon les pays. Fabriqué en Chine.

Technologie TouchSense® sous licence d'Immersion Software Ireland Limited. Protégée par un ou plusieurs des brevets américains dont la liste est disponible à l'adresse www.immersion.com/patent-marking.html, et d'autres brevets en attente.

RECOMMANDATION RELATIVE A LA PROTECTION DE L'ENVIRONNEMENT

Veuillez vous reporter aux législations locales relatives au recyclage des équipements électriques et électroniques.

Informations à conserver. Les couleurs et décorations peuvent varier.

Il est recommandé de retirer les attaches en plastique et les adhésifs avant d'utiliser le produit.

www.thrustmaster.com



immersion.



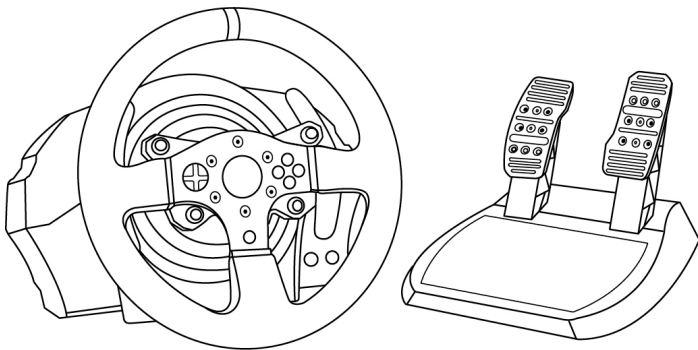


T150

FORCE FEEDBACK

PARA SISTEMAS PLAYSTATION®3 – PLAYSTATION®4

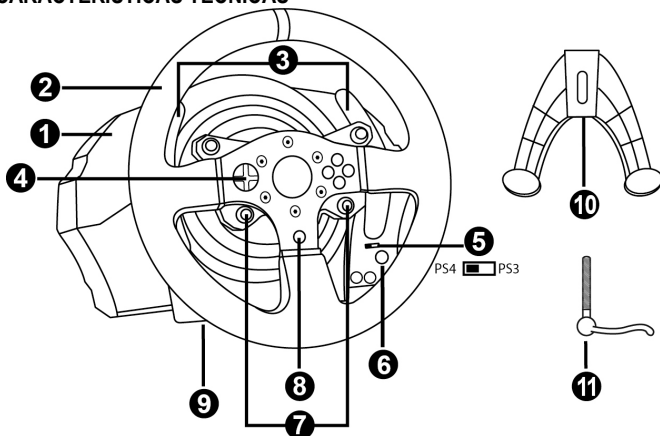
Manual do Usuário



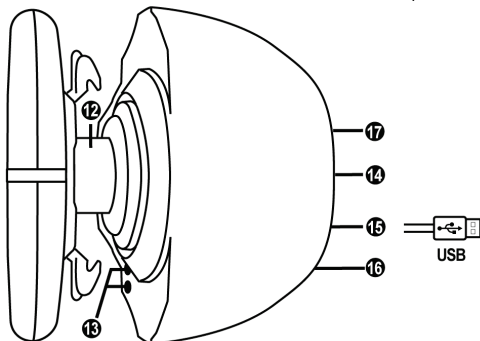
ATENÇÃO:

Para garantir que o seu volante T150 funciona corretamente com jogos para os sistemas PlayStation®3 ou PlayStation®4, poderá ser pedido para instalar as atualizações automáticas dos jogos (disponível quando o console está conectado à Internet).

CARACTERÍSTICAS TÉCNICAS



- | | |
|--------------------------------------------------------------|------------------------------------------------------------------------|
| 1 Base | 7 Botões SELECT/START no PS3™ e SHARE/OPTIONS no PS4™ |
| 2 Volante | 8 Botão PS |
| 3 2 borboletas de mudança de marchas sequenciais (Up e Down) | 9 Furo roscado grande (para o sistema de fixação e parafuso de aperto) |
| 4 D-Pad multidirecional | 10 Sistema de fixação |
| 5 Interruptor do seletor USB PS4™ ou PS3™ | 11 Parafuso de aperto de metal |
| 6 Botão MODE + luz indicadora vermelha/verde | |



- | | |
|----------------------------------------------------------------------------------------------|------------------------------------------------------------|
| 12 Eixo de direção | 15 Cabo e conector USB do volante |
| 13 Botões L3/R3 | 16 Conector do câmbio (caixa de marchas) (vendido à parte) |
| 14 Cabo de alimentação ou Conector de alimentação (tipo A ou B) (varia de acordo com o país) | 17 Conector do conjunto de pedais |

CONECTAR O VOLANTE A UMA TOMADA ELÉTRICA: LEIA ANTES DE CONTINUAR!

A fonte de alimentação do volante varia de acordo com o país onde você adquiriu o dispositivo.

Apenas versões europeias

Importante: a versão europeia do T150 é equipada com uma fonte de alimentação interna, situada diretamente no interior da base do volante.

**A versão europeia deve ser alimentada exclusivamente com corrente de 220 V!
Nunca abra a base do volante – perigo de choque!**



Power Supply
220~240V 50Hz 0.8A

- Basta ligar o conector de alimentação do volante a uma tomada elétrica de 220 V.

Outras versões (não europeias)

Nota: ao contrário da versão europeia, o T150 não europeu possui uma fonte de alimentação externa; um dispositivo específico é fornecido com o volante.

- Ligue o transformador externo ao conector relevante no volante, depois a uma tomada elétrica padrão de tensão idêntica.

AVISOS

Antes de utilizar este produto, leia atentamente este manual e guarde-o para posterior consulta.



Atenção – Choque elétrico

- * Guarde o produto num local seco e não o exponha ao pó nem à luz do sol.
- * Não torça nem puxe os conectores e os cabos.
- * Não derrame líquidos sobre o produto ou os respetivos conectores.
- * Não provoque um curto-circuito no produto.
- * Nunca desmonte o produto, não o atire no fogo nem o exponha a temperaturas elevadas.
- * Não utilize um cabo de alimentação diferente do fornecido com o volante.
- * Não utilize o cabo de alimentação se o cabo ou os conectores estiverem danificados, fendidos ou partidos.
- * Certifique-se de que o cabo de alimentação está corretamente conectado a uma tomada elétrica, assim como ao conector situado na parte posterior da base do volante.
- * Não abra o volante: ele não contém peças substituíveis pelo usuário no interior. Todos os reparos devem ser realizados pelo fabricante, pelo seu representante autorizado ou por um técnico qualificado.
- * Utilize apenas sistemas de fixação/acessórios especificados pelo fabricante.
- * Se o volante estiver funcionando de forma anormal (se emitir quaisquer sons, calor ou cheiros anormais), pare imediatamente de utilizá-lo, desconecte o cabo de alimentação da tomada e desligue os outros cabos.
- * Se não utilizar o volante durante um longo período de tempo, desconecte o cabo de alimentação da tomada elétrica.



Aberturas de ventilação

Certifique-se de não tapar as aberturas de ventilação na base do volante. Para uma ventilação ideal, certifique-se do seguinte:

- * Posicione a base do volante a pelo menos 10 cm de distância de quaisquer paredes.
- * Não coloque a base em espaços apertados.
- * Não tape a base.
- * Não deixe que pó se acumule nas aberturas de ventilação.



Por razões de segurança, nunca utilize o conjunto de pedais com os pés descalços ou apenas com meias calçadas nos pés.

A THRUSTMASTER® NÃO ASSUME QUALQUER RESPONSABILIDADE NA EVENTUALIDADE DE FERIMENTOS RESULTANTES DA UTILIZAÇÃO DO CONJUNTO DE PEDAIS SEM CALÇADO.



Atenção – Ferimentos resultantes dos efeitos Force Feedback e dos movimentos repetidos

Jogar com um volante Force Feedback poderá causar dores musculares ou articulares. Para evitar quaisquer problemas:

- * Evite jogar durante longos períodos de tempo.
- * Faça um intervalo de 10 a 15 minutos após cada hora de jogo.
- * Se sentir cansaço ou dores nas mãos, pulsos, braços, pés ou pernas, pare de jogar e descanse durante algumas horas antes de recomeçar a jogar.



Atenção – Ferimentos resultantes dos efeitos Force Feedback e dos movimentos repetidos (continuação)

- * Se os sintomas ou as dores acima indicados persistirem quando recomeçar a jogar, pare de jogar e consulte o seu médico.
- * Guarde o volante fora do alcance de crianças.
- * Durante o jogo, mantenha sempre ambas as mãos posicionadas corretamente no volante sem largá-lo por completo.
- * Durante o jogo, nunca coloque as mãos ou os dedos por baixo dos pedais ou perto do conjunto de pedais.
- * Durante a calibração e o jogo, nunca coloque a mão ou o braço através das aberturas existentes no volante.
- * Certifique-se de que a base do volante está devidamente fixada, de acordo com as instruções do manual.

PRODUTO PESADO



O produto deve ser manuseado apenas por usuários com 14 anos de idade ou mais



Tenha cuidado para não deixar cair o produto em cima de si ou de outra pessoa!

SEMPRE



NUNCA



NUNCA





Atenção – Perigo de esmagamento no conjunto de pedais ao jogar

- * Guarde o conjunto de pedais fora do alcance de crianças.
- * Quando jogar, nunca coloque os dedos nos lados dos pedais nem perto dos mesmos.
- * Quando jogar, nunca coloque os dedos na base traseira dos pedais nem perto da mesma.
- * Quando jogar, nunca coloque os dedos na base frontal dos pedais nem perto da mesma.

NUNCA



NUNCA



NUNCA



Atenção – Perigo de esmagamento no conjunto de pedais em inatividade

- * Guarde o conjunto de pedais num local seguro e fora do alcance de crianças.

ATUALIZAR O FIRMWARE DO VOLANTE

O firmware incluído na base do volante pode ser atualizado para uma versão mais recente que inclua melhoramentos do produto.

Para visualizar a versão do firmware que o volante utiliza atualmente e atualizá-la, se necessário: no PC, acesse <http://ts.thrustmaster.com>. Na seção **Updates and Downloads**, clique em **PlayStation® / Wheels / T150**, em seguida, selecione **Driver/Firmware** e siga as instruções que descrevem o procedimento de transferência e instalação.

AJUSTAR A INCLINAÇÃO DOS PEDAIS

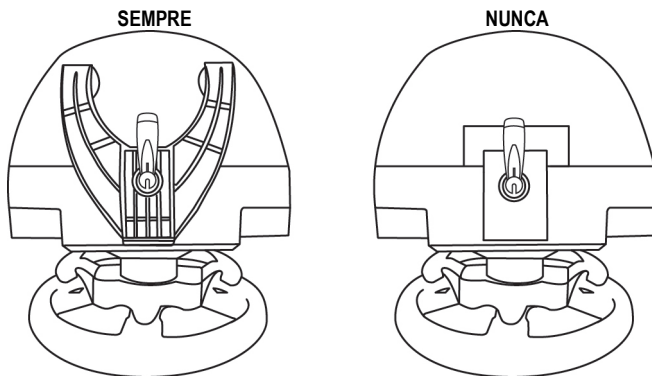
A inclinação dos pedais é ajustável.

As instruções de ajuste para cada pedal estão disponíveis em <http://ts.thrustmaster.com>. Na seção **Updates and Downloads**, clique em **PlayStation® / Wheels / T150**, depois selecione **Manual/Help file**.

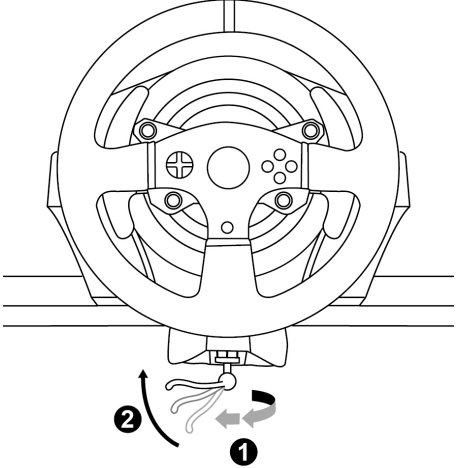
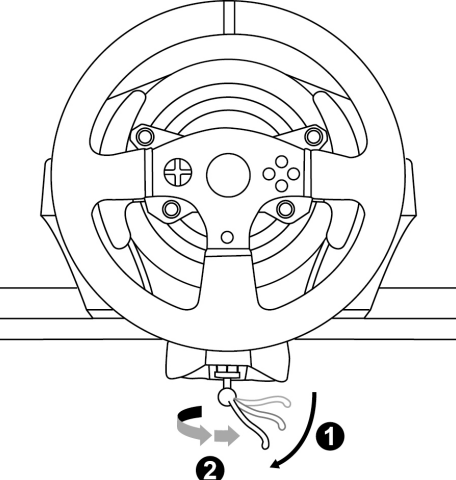
FIXAR O VOLANTE

Fixar o volante a uma mesa

1. Coloque o volante sobre uma mesa ou qualquer outra superfície horizontal, plana e estável.
2. Insira o parafuso de aperto (11) no sistema de fixação (10). Em seguida, aperte o dispositivo rodando o parafuso no sentido anti-horário, de forma que penetre no furo roscado grande (9) situado por baixo do volante, até o volante estar perfeitamente estável.



ATENÇÃO: Nunca aperte apenas o parafuso, sem o sistema de fixação instalado!
(Isso pode danificar o volante.)

| FIXAÇÃO / REMOÇÃO | DIREÇÃO |
|--------------------------------------------------------------------------------------------|------------------------------------------------------------------------------------|
| <p>Para apertar:</p> <p><i>Rode o parafuso no sentido anti- horário</i></p> |  |
| <p>Para soltar:</p> <p><i>Rode o parafuso no sentido horário</i></p> |  |

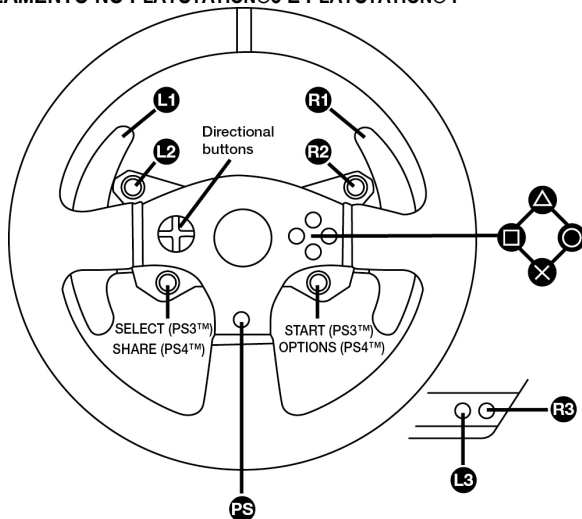
Fixar o conjunto de pedais a um cockpit

1. Fixe o conjunto de pedais com as roscas de parafuso pequenas situadas na parte inferior.
2. Insira dois parafusos M6 (não incluídos) na prateleira do cockpit e enrosque-os nas duas roscas de parafuso pequenas situadas na parte inferior do conjunto de pedais.

Importante: O comprimento dos dois parafusos M6 não deve exceder a espessura da prateleira + 10 mm; os parafusos mais compridos poderão causar danos nos componentes internos situados no conjunto de pedais.

Estão disponíveis **esquemas de disposição para cockpits** (para posicionar a base do volante e/ou o conjunto de pedais) em <http://ts.thrustmaster.com>; na secção **Updates and Downloads**, clique em **PlayStation®/Wheels/T150** e seleccione **Manual/Help file**.

MAPEAMENTO NO PLAYSTATION®3 E PLAYSTATION®4



CONFIGURAR O VOLANTE PARA OS SISTEMAS PLAYSTATION®3 OU PLAYSTATION®4

1. Conecte o conjunto de pedais ao conector (17) situado na parte traseira da base do volante.
2. Conecte o cabo de alimentação ao conector (14) situado na parte traseira da base do volante.
3. Conecte o cabo de alimentação a uma tomada elétrica com as mesmas especificações de tensão.



Para obter mais informações a este respeito, consulte a seção CONECTAR O VOLANTE A UMA TOMADA ELÉTRICA, na página 3 deste manual.

4. Ajuste o interruptor do seletor USB (5) na base do volante para a posição PS3™ ou PS4™, dependendo do console ou o jogo que está sendo usado.
5. Conecte o conector USB do volante (15) a uma das portas USB do console.
6. Quando o console for ligado, o volante será calibrado automaticamente.
7. No sistema PlayStation®4 (quando o interruptor do seletor USB está ajustado para a posição PS4™): pressione o botão PS (8) do volante e inicie a sessão no sua conta Sony Entertainment Network para poder usar o volante.

Você está pronto para começar a jogar!

Notas importantes:

- O interruptor do seletor USB (5) na base do volante deve ser sempre ajustado para a posição correta (PS3™ ou PS4™) antes de conectar o cabo USB do volante ao console. Para mudar a posição do interruptor do seletor, desconecte o cabo USB do console e mude a posição do interruptor antes de voltar a ligar o cabo USB ao console.
- No sistema PlayStation®3, o interruptor do seletor USB (5) deve estar sempre ajustado para a posição PS3™:
 - * O volante é reconhecido na maioria dos jogos como um volante T500 RS.
 - * O volante é funcional em jogos compatíveis e nos menus do console.
 - * A função “PS” é funcional no volante.
- No sistema PlayStation®4, com o interruptor do seletor USB (5) na posição PS3™:
 - * O volante é reconhecido na maioria dos jogos como um volante T500 RS.
 - * O volante é funcional em jogos compatíveis, mas não nos menus do console.
 - * As funções “SHARE” e “PS” não são funcionais no volante.
- No sistema PlayStation®4, com o interruptor do seletor USB (5) na posição PS4™:
 - * Não se esqueça de pressionar o botão PS (8) do volante para poder utilizá-lo.
 - * O volante é reconhecido na maioria dos jogos como um volante T300 RS ou T150.
 - * O volante é funcional em jogos compatíveis e nos menus do console.
 - * As funções “SHARE” e “PS” são funcionais no volante.
- A lista de jogos para os sistemas PlayStation®3 e PlayStation®4 compatíveis com o T150 (juntamente com a posição necessária do interruptor do seletor USB (5) de acordo com o jogo utilizado) está disponível em:
<http://ts.thrustmaster.com> (na secção Updates and Downloads, clique em PlayStation®/Wheels/T150).
Esta lista é atualizada regularmente.

CONFIGURAR O VOLANTE PARA O PC

Observação importante:

No PC, o interruptor USB(5) na base do volante deve sempre permanecer na posição PS3™.

1. Acesse <http://ts.thrustmaster.com> para baixar os drivers e software Force Feedback para PC. Na seção Updates and Downloads, clique em PC / Wheels / T150 e selecione Drivers.
2. Quando o download for concluído, inicie a instalação e siga as instruções na tela para conectar o volante ao computador via USB e completar a instalação.
3. Quando a instalação for concluída, clique em Finalizar e reinicie o computador.
4. Selecione Iniciar / Todos os Programas / Thrustmaster / FFB Racing Wheel / Painel de Controle para abrir a janela Controladores de Jogo

A janela Controladores de Jogo exibe o nome T150 Racing Wheel e o status OK.

5. Clique em Propriedades para configurar o volante no painel de controle do T150.

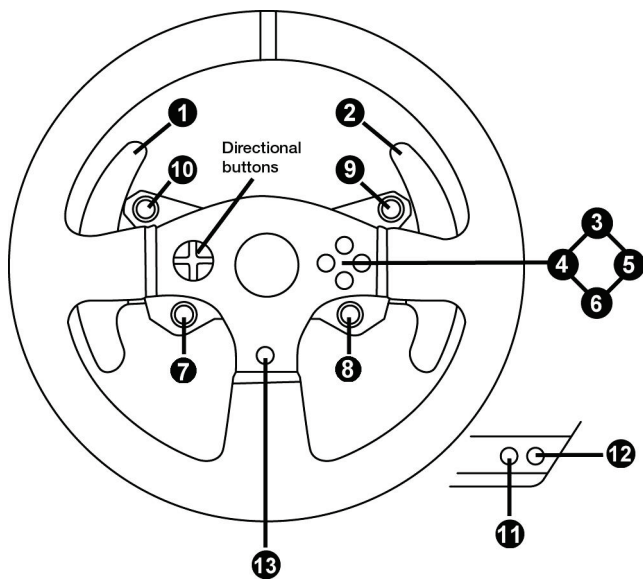
- Aba Test Input: permite testar e visualizar os botões de ação, os botões direcionais, os eixos do volante e dos pedais e ajustar o ângulo de rotação do volante em jogos para PC.
- Aba Test Forces: permite testar os 12 efeitos de force feedback.
- Aba Gain Settings: permite ajustar a força dos efeitos force feedback nos jogos para PC.

Você está pronto para jogar!

Observações gerais:

- No PC, clique em OK para fechar a janela Controladores de Jogo antes de iniciar o jogo.
- No PC, os ajustes feitos na janela Controladores de Jogo serão salvos apenas no computador (não terão efeito no PlayStation®3 ou PlayStation®4).
- A versão do firmware do volante é exibida no canto superior direito do painel de controle do T150.

MAPEAMENTO PARA PC



CALIBRAGEM AUTOMÁTICA DO VOLANTE E DO CONJUNTO DE PEDAIS

O volante é calibrado automaticamente quando conectado a uma tomada elétrica e o conector USB do volante ao console.

Durante esta fase, o volante roda rapidamente para a esquerda e direita, cobrindo um ângulo de 900 graus, antes de parar no centro.



ATENÇÃO:

Nunca toque no volante durante a fase de autocalibragem!
(Isso pode resultar numa calibragem incorreta e/ou em ferimentos pessoais.)

CALIBRAGEM AUTOMÁTICA DO CONJUNTO DE PEDAIS

Nunca conecte o conjunto de pedais à base do volante (nem o desconecte da base) quando estiver conectado ao console ou durante o jogo (isso pode resultar numa calibragem incorreta).

Sempre conecte o conjunto de pedais antes de conectar o volante ao console.

Quando a calibragem do volante estiver concluída e o jogo tiver iniciado, os pedais são calibrados automaticamente após pressionar algumas vezes.



ATENÇÃO:

Nunca pressione os pedais durante a fase de autocalibragem do volante ou quando um jogo estiver sendo carregado!
(Isso pode resultar numa calibragem incorreta.)

Se o volante e/ou o conjunto de pedais não funcionam corretamente, ou se parecem estar calibrados incorretamente:

Desligue o console e desconecte todos os cabos do volante. Em seguida, reconecte todos os cabos (incluindo o cabo de alimentação e o conjunto de pedais) e reinicie o console e o jogo.

BOTÃO MODE E LUZ INDICADORA (6)

Botão MODE para o conjunto de pedais

O conjunto de pedais incluído com o T150 possui 2 pedais.

Ao usar este conjunto de pedais, certifique-se de que a luz indicadora permanece vermelha, caso contrário o pedal do acelerador não funcionará corretamente.

O T150 também é compatível com conjuntos de pedais Thrustmaster dotados de 3 pedais (*vendidos à parte*); estes permitem trocar eletronicamente os pedais do acelerador e da embraiagem.

Para fazer isso, basta pressionar o botão MODE (6) durante 2 segundos.

A memória interna do volante memoriza se os pedais foram trocados ou não.

| PEDAIS DO ACELERADOR E DA EMBRAIAGEM | Cor da luz indicadora MODE (6) |
|--------------------------------------|--------------------------------|
| NORMAL | VERMELHA |
| TROCADOS | VERDE |

Outras sugestões relativas ao botão MODE

Para saber mais sobre o botão MODE e a luz indicadora, acesse <http://ts.thrustmaster.com>. Na seção **Updates and Downloads**, clique em **PlayStation® / Wheels / T150** e selecione **Manual/Help file**.

COMPATIBILIDADE COM O ECOSISTEMA DE PRODUTOS THRUSTMASTER

A base do T150 é compatível com:

- Os seguintes conjuntos de pedais Thrustmaster: T3PA*, T3PA-PRO* (Thrustmaster 3 Pedals Add-on) e o conjunto de pedais do volante T500 RS.
- As seguintes alavancas de velocidades (caixas de marchas) Thrustmaster: TH8A* e TH8RS*.

* Vendido à parte (para obter mais informações, visite <http://www.thrustmaster.com/products/t150>).

ARQUIVOS DE AJUDA E FAQ (NÃO INCLUÍDOS NESTE MANUAL)

Acesse <http://ts.thrustmaster.com> e, na seção **Updates and Downloads**, clique em **PlayStation® / Wheels / T150** e selecione **Manual/Help file**.

INFORMAÇÕES SOBRE A GARANTIA PARA O CONSUMIDOR

A Guillemot Corporation S.A., com sede social situada em Place du Granier, B.P. 97143, 35571 Chantepie, França (a seguir designada como “Guillemot”) garante a nível mundial ao consumidor que este produto Thrustmaster está livre de defeitos em termos de materiais e fabricação durante um período de garantia que corresponde ao limite de tempo para intentar uma ação de conformidade relativamente a este produto. Nos países da União Europeia, isto corresponde a um período de dois (2) anos desde a entrega do produto Thrustmaster. Em outros países, o período de garantia corresponde ao limite de tempo para intentar uma ação de conformidade relativamente ao produto Thrustmaster de acordo com a legislação em vigor do país no qual o consumidor residia na data de compra do produto Thrustmaster (se tal ação não existir no país correspondente, então o período de garantia será de um (1) ano a partir da data de compra original do produto Thrustmaster).

Não obstante o supracitado, as baterias recarregáveis são cobertas por um período de garantia de seis (6) meses a partir da data de compra original.

No caso de o produto apresentar algum defeito durante o período da garantia, contate imediatamente o Suporte Técnico, que lhe indicará o procedimento a tomar. Se o defeito se confirmar, o produto deverá ser devolvido ao respetivo local de compra (ou qualquer outro local indicado pelo Suporte Técnico).

No âmbito da presente garantia, e por opção do Suporte Técnico, o produto defeituoso do consumidor será substituído ou reparado. Se, durante o período da garantia, o produto Thrustmaster for submetido à dita reparação, qualquer período mínimo de (7) dias durante o qual o produto estiver fora de serviço será adicionado ao período da garantia restante (este período decorre desde a data do pedido intervenção pelo consumidor ou desde a data em que o produto em questão é disponibilizado para reparação, se a data em que o produto é disponibilizado para reparação for posterior à data do pedido de intervenção). Se for permitido pela legislação em vigor, a responsabilidade total da Guillemot e das respectivas subsidiárias (incluindo para danos indiretos) está limitada à reparação ou à substituição do produto Thrustmaster. Se for permitido pela legislação em vigor, a Guillemot rejeita todas as garantias de comercialização ou adequação a um fim específico.

A presente garantia não se aplicará: (1) se o produto tiver sido modificado, aberto, alterado ou danificado como resultado de utilização inadequada ou abusiva, negligência, acidente, desgaste normal ou qualquer outra causa relacionada a um defeito de material ou fabricação (incluindo, mas sem limitação, combinar o produto Thrustmaster com qualquer elemento inadequado, incluindo, em particular, fontes de alimentação, baterias recarregáveis, carregadores ou quaisquer outros elementos não fornecidos pela Guillemot para este produto); (2) na eventualidade de não cumprimento das instruções fornecidas pelo Suporte Técnico; (3) a software, estando o mesmo sujeito a uma garantia específica; (4) a consumíveis (elementos para substituir ao longo da vida útil do produto, como baterias descartáveis e almofadas de fones de ouvido, por exemplo); (5) a acessórios (cabos, estojos, bolsas, sacos e correias de pulso, por exemplo); (6) se o produto foi vendido num leilão público.

A presente garantia não é transmissível.

Os direitos legais do consumidor no que concerne à legislação aplicável à venda de bens de consumo no seu país não são afetados pela presente garantia.

Disposições de garantia adicionais

Durante o período da garantia, a Guillemot não fornecerá, em princípio, quaisquer peças de substituição, uma vez que o Suporte Técnico é a única parte autorizada a abrir e/ou reparar qualquer produto Thrustmaster (exceto por quaisquer procedimentos de reparação que o Suporte Técnico possa pedir ao consumidor para realizar, através de instruções por escrito – por exemplo, devido à simplicidade e à falta de confidencialidade do processo de reparação – e fornecendo ao consumidor a(s) peça(s) de substituição necessária(s), quando aplicável).

Tendo em conta os seus ciclos de inovação, e a fim de proteger o seu know-how e segredos comerciais, a Guillemot não fornecerá, em princípio, qualquer notificação de reparação ou peças de substituição para produtos Thrustmaster cujo período da garantia tenha expirado.

Nos Estados Unidos da América e no Canadá, a presente garantia está limitada ao mecanismo interno e à caixa do produto. Em nenhuma circunstância serão a Guillemot ou as respectivas subsidiárias consideradas responsáveis perante terceiros por quaisquer danos indiretos ou acidentais resultantes da violação de quaisquer garantias expressas ou implícitas. Alguns estados/províncias não permitem a limitação da duração de uma garantia implícita ou a exclusão ou limitação de responsabilidade por danos indiretos ou acidentais, portanto as limitações ou exclusões supracitadas podem não se aplicar a você. A presente garantia concede-lhe direitos legais específicos, e você também pode ter outros direitos, que variam de acordo com o estado ou a província.

Responsabilidade

Se for permitido pela legislação em vigor, a Guillemot Corporation S.A. (a seguir designada como "Guillemot") e as respectivas subsidiárias rejeitam qualquer responsabilidade por quaisquer danos resultantes de uma ou mais das seguintes causas: (1) o produto foi modificado, aberto ou alterado; (2) não cumprimento das instruções de montagem; (3) utilização imprópria ou abusiva, negligência ou acidente (um impacto, por exemplo); (4) desgaste normal. Se for permitido ao abrigo da legislação aplicável, a Guillemot e as respectivas subsidiárias rejeitam qualquer responsabilidade por danos relacionados a um defeito de material ou fabricação relativamente ao produto (incluindo, mas sem limitação, quaisquer danos causados direta ou indiretamente por qualquer software ou por combinar o produto Thrustmaster com qualquer elemento inadequado, incluindo, em particular, fontes de alimentação, baterias recarregáveis, carregadores ou quaisquer outros elementos não fornecidos pela Guillemot para este produto).

DECLARAÇÃO DE CONFORMIDADE

Aviso de Cumprimento dos EUA: Este equipamento foi testado e considerado em conformidade com os limites para um dispositivo digital Classe B, conforme a Parte 15 das regras da FCC.

DIREITOS AUTORAIS

© 2015 Guillemot Corporation S.A. Todos os direitos reservados. Thrustmaster® é uma marca registada da Guillemot Corporation S.A.

Fabricado e distribuído sob licença da Sony Computer Entertainment America LLC.

Playstation, o logotipo da família PS, PS3, PS4 e "△○×□" são marcas registadas da Sony Computer Entertainment Inc. Todas as outras marcas comerciais e nomes de marcas são por este meio reconhecidas e pertencem aos respectivos proprietários. As ilustrações não são vinculativas. Os conteúdos, desenhos e especificações estão sujeitos a alteração sem aviso prévio e podem variar de país para país. Fabricado na China. Tecnologia TouchSense® sob licença da Immersion Software Ireland Limited. Protegido por uma ou mais patentes norte-americanas disponíveis no endereço www.immersion.com/patent-marking.html e por outras patentes em processo de aprovação.

RECOMENDAÇÕES DE PROTEÇÃO AMBIENTAL

Respeite a legislação local sobre a reciclagem de equipamento elétrico e eletrónico.

Guarde estas informações. As cores e as decorações podem variar.

Os prendedores de plástico e os adesivos devem ser removidos do produto antes da utilização.

www.thrustmaster.com



immersion.





THRUSTMASTER®

SUPOORTE TÉCNICO

<http://ts.thrustmaster.com>

