

- USER MANUAL
- MANUEL DE L'UTILISATEUR
- BENUTZERHANDBUCH
- HANDLEIDING
- MANUALE D'USO
- MANUAL DEL USUARIO
- MANUAL DO UTILIZADOR
- РУКОВОДСТВО ПОЛЬЗОВАТЕЛЯ
- ΕΓΧΕΙΡΙΔΙΟ ΧΡΗΣΗΣ
- KULLANIM KILAVUZU
- INSTRUKCJA OBSŁUGI

- دليل المستخدم

THRUSTMASTER®

TWCS

Throttle

Weapon Control System

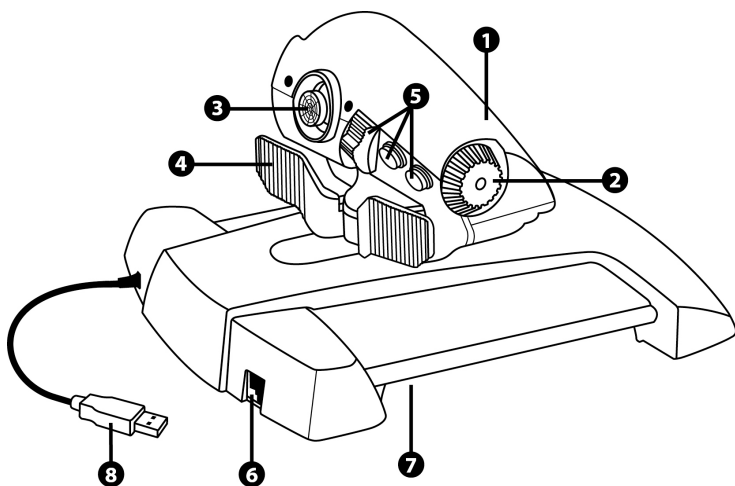


TWCS

Throttle

User Manual

TECHNICAL SPECIFICATIONS



1. Throttle axis
2. Antenna axis
3. Mini-stick with push-button axes
4. Rocker switch axes

5. 14 action buttons
6. TFRP rudder connector
7. Friction adjustment screw
8. USB connector

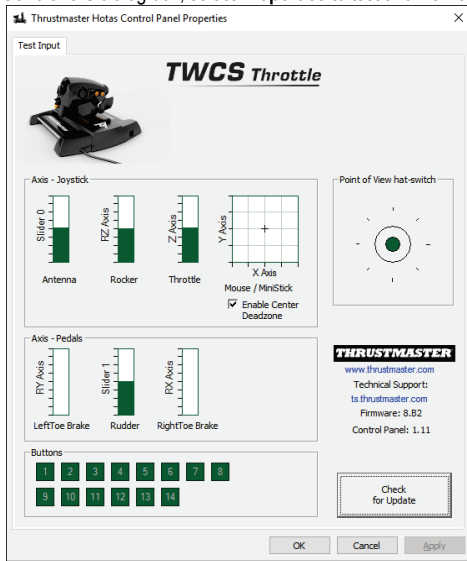
SETUP INSTRUCTIONS FOR PC

1. Go to <https://support.thrustmaster.com/>. Select Joysticks / TWCS Throttle, then select Drivers. Download and install the PC driver and its custom Windows Control Panel-based interface.
2. After installing the PC driver, connect the USB connector to one of your PC's USB ports.
3. To access the Control Panel, select:
 - **Start / Applications / Thrustmaster / Control Panel** or **Start / Control Panel** (in Windows® 10 / 8.1 / 8)
 - **Start / All Programs / Thrustmaster / Control Panel** or **Start / Control Panel** (in Windows® 7 / Vista)

The **Game controllers** dialog box is displayed.

The device appears under the name **TWCS Throttle**, with the status **OK**.

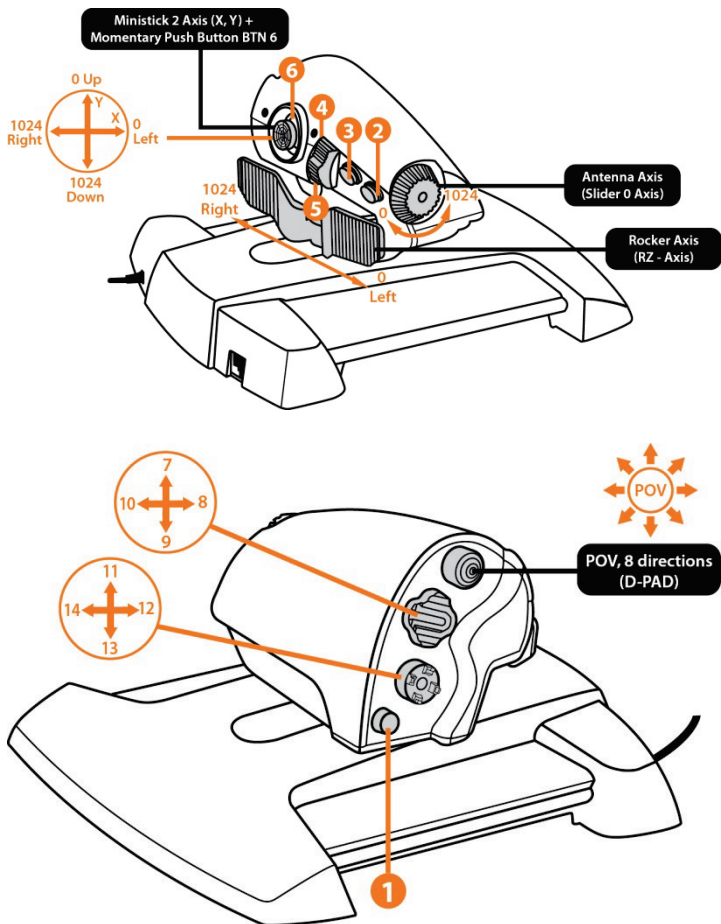
4. In the **Game Controllers** dialog box, select **Properties** to test and view all functions.

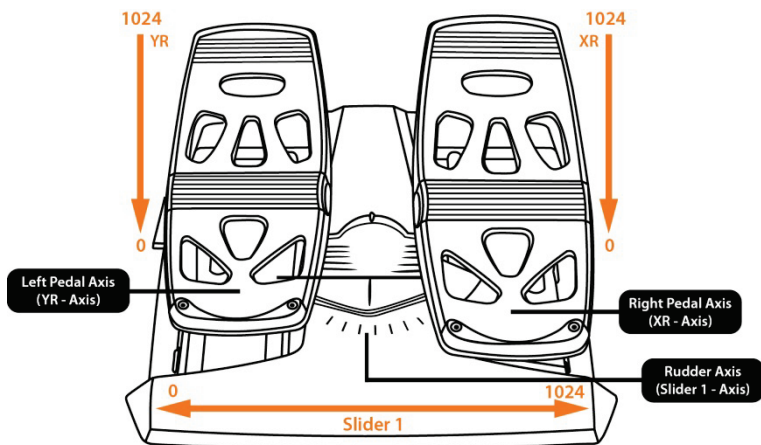
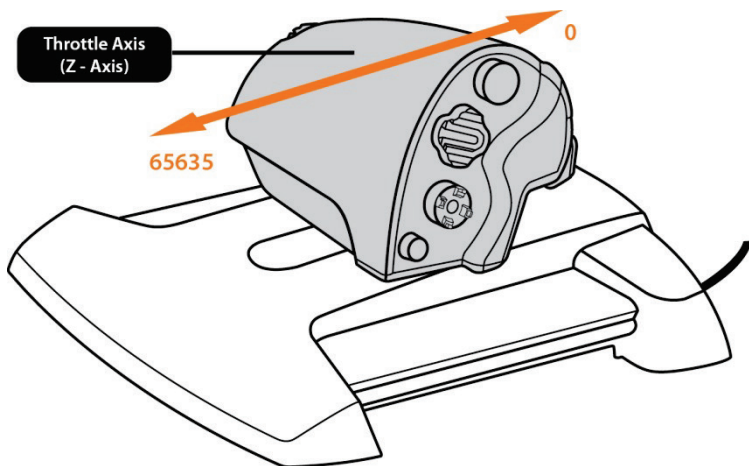


Note: The Enable Center Deadzone tab allows you to activate or deactivate the mini-stick's axes center dead zone. Your selection is automatically saved to the TWCS's internal memory.

You are now ready to play!

MAPPING OF THE 14 BUTTONS AND 8 AXES





INSTALLING THE TFRP RUDDER ON THE TWCS THROTTLE

The TWCS throttle features 8 axes, including 3 axes dedicated to the TFRP rudder pedals.

The TFRP rudder pedals connect directly to the **TWCS Throttle**.

1. Connect the rudder pedals' RJ12 male connector to the RJ12 female connector located at the back of the TWCS Throttle.
2. Connect the TWCS Throttle's USB connector to one of your PC's USB ports.

Important notes regarding automatic axis calibration:

- Always leave the rudder axis centered when connecting the TFRP pedal set to the TWCS Throttle. Do not rest your feet on the pedals.
- The rudder pedals' 3 axes self-calibrate after a few movements and when the physical stops of the rudder's axis and the 2 differential brake axes are reached.

T.A.R.G.E.T ADVANCED PROGRAMMING SOFTWARE (Thrustmaster Advanced pRogramming Graphical EdiTor)

Go to <https://support.thrustmaster.com>. Select Joysticks / TWCS Throttle, then select Software. Download and install the T.A.R.G.E.T advanced programming software.

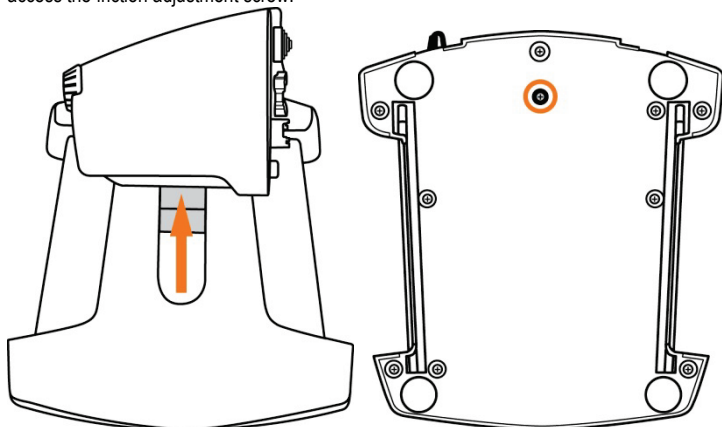
T.A.R.G.E.T main specifications:

- Multiple axis configurations.
- Multiple programming levels: Basic, Advanced and Script.
- 'Drag and Drop' controls.
- Ability to combine the TWCS Throttle with other Thrustmaster joysticks (HOTAS Cougar, HOTAS Warthog, T.16000M, MFD Cougar Pack, also compatible with T.A.R.G.E.T), allowing controllers to be recognized as a single USB device.
- Access to advanced profiles created by the Thrustmaster community.

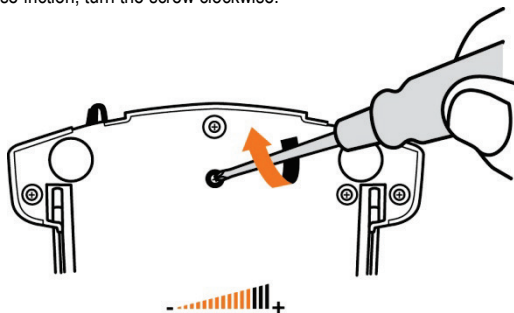


FRICITION ADJUSTMENT

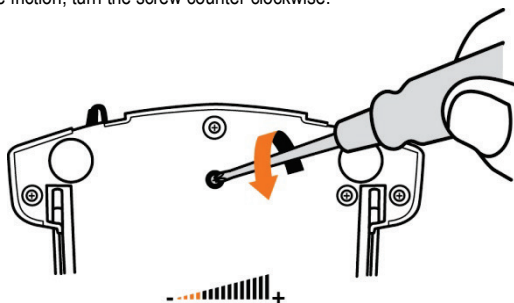
- Push the throttle's axis to the maximum position, then turn the TWCS Throttle over to access the friction adjustment screw.



- To increase friction, turn the screw clockwise.



- To reduce friction, turn the screw counter-clockwise.



- Do not over-tighten the adjustment screw, as this could cause damage to the friction system. Stop turning the screw as soon as any resistance is felt.
- Do not loosen the adjustment screw completely, as it could fall inside the TWCS Throttle's internal housing.

TROUBLESHOOTING AND WARNING

- **My TWCS Throttle does not operate properly or seems incorrectly calibrated.**

- Turn off your PC, unplug the TWCS Throttle's USB connector, then reconnect it; turn on your computer (or your games console), then restart the game.
- When connecting the TWCS Throttle's USB connector, always leave the rudder's axis in the center position. Do not rest your feet on the pedals.

- **I can't configure my TWCS Throttle.**

- In the game's Options / Controller / Throttle or Joystick menu, select the appropriate configuration or fully reconfigure the controller's options.
- Please refer to your game's user manual or online help for more information.
- Use the T.A.R.G.E.T (Thrustmaster Advanced pRogramming Graphical EdiTor) software.

- **My TWCS Throttle is too sensitive or not sensitive enough.**

- The TWCS Throttle's axes self-calibrate after a few movements and when the axes' physical stops are reached.
- In the game's Options / Controller / Throttle or Joystick menu, adjust your controller's sensitivity and dead zones, if available.
- Use the T.A.R.G.E.T (Thrustmaster Advanced pRogramming Graphical EdiTor) software.

CONSUMER WARRANTY INFORMATION

Worldwide, Guillemot Corporation S.A., whose registered office is located at Place du Granier, B.P. 97143, 35571 Chantepie, France (hereinafter "Guillemot") warrants to the consumer that this Thrustmaster product shall be free from defects in materials and workmanship, for a warranty period which corresponds to the time limit to bring an action for conformity with respect to this product. In the countries of the European Union, this corresponds to a period of two (2) years from delivery of the Thrustmaster product. In other countries, the warranty period corresponds to the time limit to bring an action for conformity with respect to the Thrustmaster product according to applicable laws of the country in which the consumer was domiciled on the date of purchase of the Thrustmaster product (if no such action exists in the corresponding country, then the warranty period shall be one (1) year from the original date of purchase of the Thrustmaster product).

Notwithstanding the above, rechargeable batteries are covered by a warranty period of six (6) months from the date of original purchase.

Should the product appear to be defective during the warranty period, immediately contact Technical Support, who will indicate the procedure to follow. If the defect is confirmed, the product must be returned to its place of purchase (or any other location indicated by Technical Support).

Within the context of this warranty, the consumer's defective product shall, at Technical Support's option, be either replaced or returned to working order. If, during the warranty period, the Thrustmaster product is subject to such reconditioning, any period of at least seven (7) days during which the product is out of use shall be added to the remaining warranty period (this period runs from the date of the consumer's request for intervention or from the date on which the product in question is made available for reconditioning, if the date on which the product is made available for reconditioning is subsequent to the date of the request for intervention). If permitted under applicable law, the full liability of Guillemot and its subsidiaries (including for consequential damages) is limited to the return to working order or the replacement of the Thrustmaster product. If permitted under applicable law, Guillemot disclaims all warranties of merchantability or fitness for a particular purpose.

This warranty shall not apply: (1) if the product has been modified, opened, altered, or has suffered damage as a result of inappropriate or abusive use, negligence, an accident, normal wear, or any other cause unrelated to a material or manufacturing defect (including, but not limited to, combining the Thrustmaster product with any unsuitable element, including in particular power supplies, rechargeable batteries, chargers, or any other elements not supplied by Guillemot for this product); (2) if the product has been used for any use other than home use, including for professional or commercial purposes (game rooms, training, competitions, for example); (3) in the event of failure to comply with the instructions provided by Technical Support; (4) to software, said software being subject to a specific warranty; (5) to consumables (elements to be replaced over the product's lifespan: disposable batteries, audio headset or headphone ear pads, for example); (6) to accessories (cables, cases, pouches, bags, wrist-straps, for example); (7) if the product was sold at public auction.

This warranty is nontransferable.

The consumer's legal rights with respect to laws applicable to the sale of consumer goods in his or her country are not affected by this warranty.

Additional warranty provisions

During the warranty period, Guillemot shall not provide, in principle, any spare parts, as Technical Support is the only party authorized to open and/or recondition any Thrustmaster product (with the exception of any reconditioning procedures which Technical Support may request that the consumer carry out, by way of written instructions – for example, due to the simplicity and the lack of confidentiality of the reconditioning process – and by providing the consumer with the required spare part(s), where applicable).

Given its innovation cycles and in order to protect its know-how and trade secrets, Guillemot shall not provide, in principle, any reconditioning notification or spare parts for any Thrustmaster product whose warranty period has expired.

In the United States of America and in Canada, this warranty is limited to the product's internal mechanism and external housing. In no event shall Guillemot or its affiliates be held liable to any third party for any consequential or incidental damages resulting from the breach of any express or implied warranties. Some States/Provinces do not allow limitation on how long an implied warranty lasts or exclusion or limitation of liability for consequential or incidental damages, so the above limitations or exclusions may not apply to you. This warranty gives you specific legal rights, and you may also have other rights which vary from State to State or Province to Province.

Liability

If permitted under applicable law, Guillemot Corporation S.A. (hereinafter "Guillemot") and its subsidiaries disclaim all liability for any damages caused by one or more of the following: (1) the product has been modified, opened or altered; (2) failure to comply with assembly instructions; (3) inappropriate or abusive use, negligence, an accident (an impact, for example); (4) normal wear; (5) the use of the product for any use other than home use, including for professional or commercial purposes (game rooms, training, competitions, for example). If permitted under applicable law, Guillemot and its subsidiaries disclaim all liability for any damages unrelated to a material or manufacturing defect with respect to the product (including, but not limited to, any damages caused directly or indirectly by any software, or by combining the Thrustmaster product with any unsuitable element, including in particular power supplies, rechargeable batteries, chargers, or any other elements not supplied by Guillemot for this product).

FCC STATEMENT

1. This device complies with Part 15 of the FCC Rules. Operation is subject to the following two conditions:

(1) This device may not cause harmful interference, and
(2) This device must accept any interference received, including interference that may cause undesired operation.

2. Changes or modifications not expressly approved by the party responsible for compliance could void the user's authority to operate the equipment.

COPYRIGHT

© 2016 Guillemot Corporation S.A. All rights reserved. Thrustmaster® is a registered trademark of Guillemot Corporation S.A. Windows® is a registered trademark of Microsoft Corporation in the United States and/or other countries. All other trademarks are the property of their respective owners. Illustrations not binding. Contents, designs and specifications are subject to change without notice and may vary from one country to another. Made in China.

ENVIRONMENTAL PROTECTION RECOMMENDATION



At the end of its working life, this product should not be disposed of with standard household waste, but rather dropped off at a collection point for the disposal of Waste Electrical and Electronic Equipment (WEEE) for recycling.

This is confirmed by the symbol found on the product, user manual or packaging. Depending on their characteristics, the materials may be recycled. Through recycling and other forms of processing Waste Electrical and Electronic Equipment, you can make a significant contribution towards helping to protect the environment.

Please contact your local authorities for information on the collection point nearest you.

Retain this information. Colors and decorations may vary.

This product conforms to all standards regarding children 14 years of age and older. This product is not suitable for use by children less than 14 years of age.

www.thrustmaster.com



THRUSTMASTER®

TECNICAL SUPPORT

<https://support.thrustmaster.com>

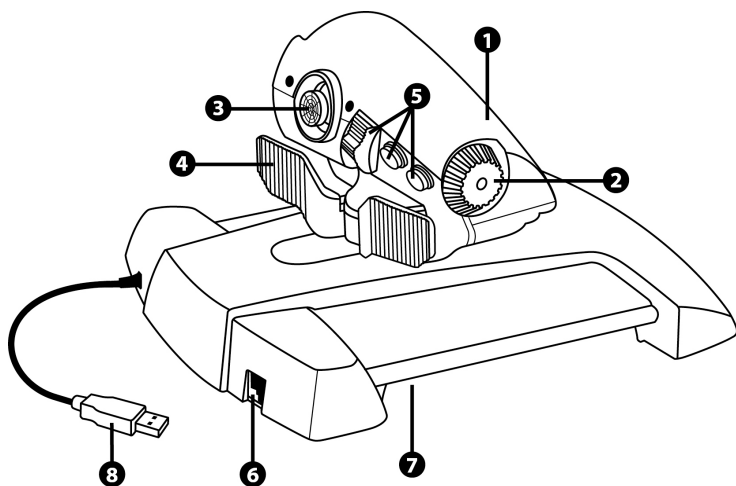


TWCS

Throttle

Manuel de l'utilisateur

CARACTERISTIQUES TECHNIQUES



1. Axe de la manette des gaz
2. Axe de l'antenne
3. Axes du mini-stick avec fonction push
4. Axes du commutateur à bascule

5. 14 boutons d'action
6. Connecteur du palonnier TFRP
7. Vis d'ajustement de la friction
8. Connecteur USB

INSTALLATION SUR PC

1. Allez sur <https://support.thrustmaster.com/>. Cliquez sur Joysticks / TWCS Throttle, puis sélectionnez Pilotes. Téléchargez et installez le pilote PC et son interface personnalisée du Control Panel Windows.

2. Une fois le pilote PC installé, branchez le connecteur USB sur l'un des ports USB de votre PC.

3. Pour accéder au Control Panel, sélectionnez :

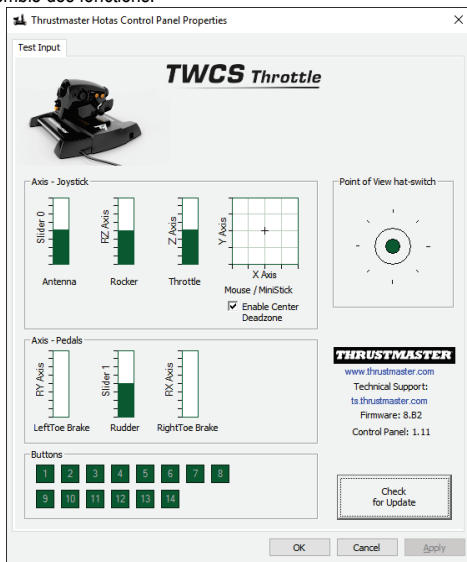
- **Démarrer / Applications / Thrustmaster / Control Panel ou Panneau de configuration** (sous Windows® 10 / 8.1 / 8)

- **Démarrer / Tous les programmes / Thrustmaster / Control Panel ou Panneau de configuration** (sous Windows® 7 / Vista)

La boîte de dialogue **Contrôleurs de jeu** s'affiche.

L'accessoire apparaît à l'écran sous le nom **TWCS Throttle** et l'état **OK**.

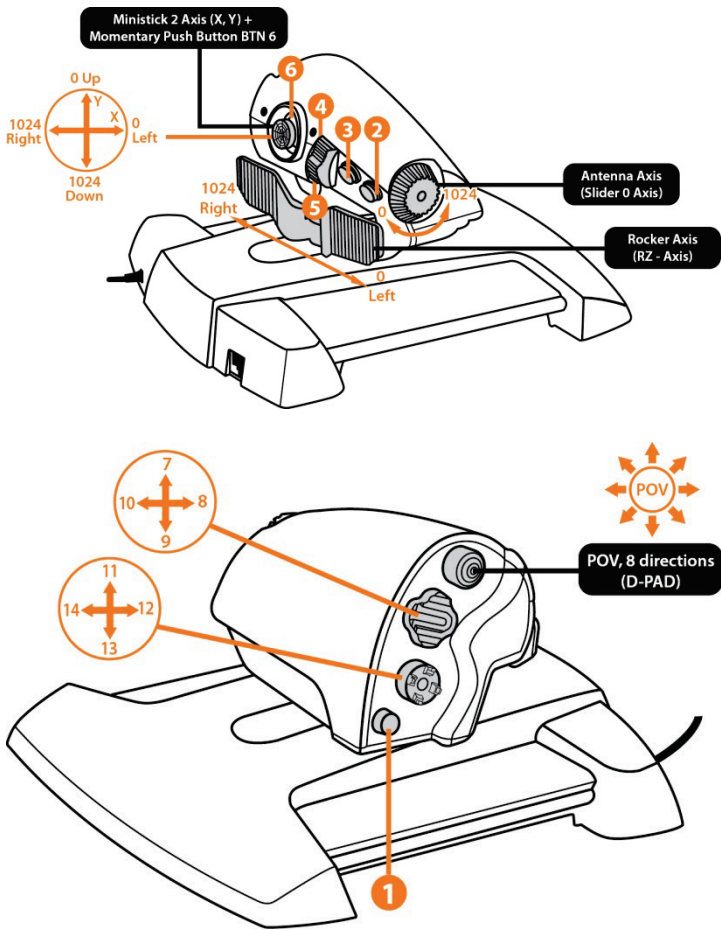
4. Dans la boîte de dialogue **Contrôleurs de jeu**, cliquez sur **Propriétés** pour tester et visualiser l'ensemble des fonctions.

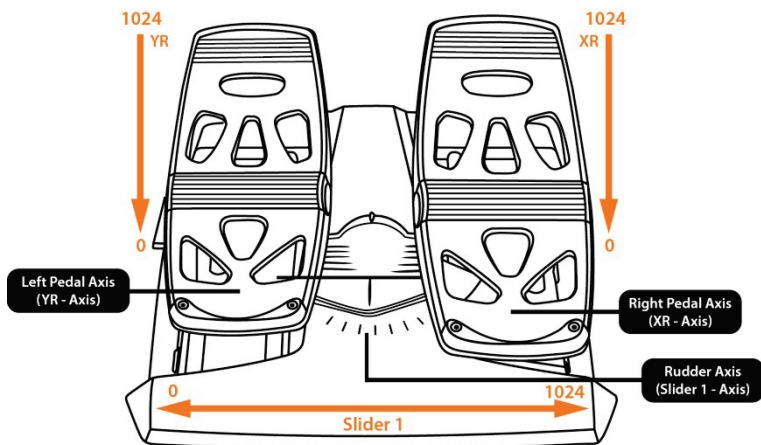
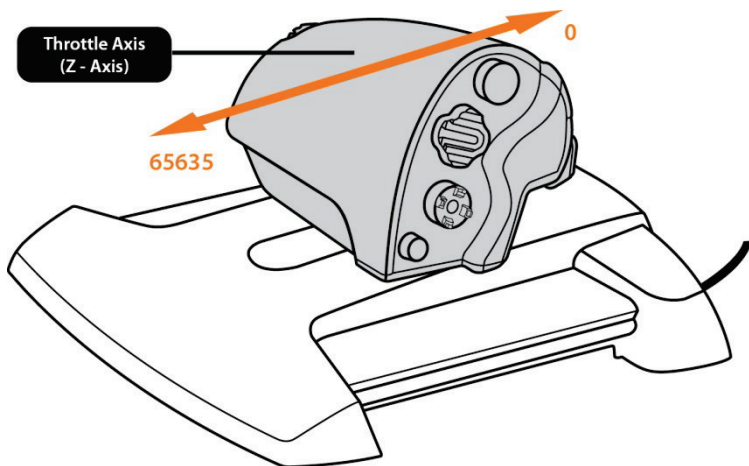


Remarque : l'onglet Enable Center Deadzone permettra d'activer ou non la zone morte centrale des axes du mini-stick. Votre choix sera automatiquement sauvegardé dans la mémoire interne du TWCS.

Vous êtes maintenant prêt à jouer !

MAPPING DES 14 BOUTONS ET DES 8 AXES





INSTALLATION DU PALONNIER TFRP SUR LA MANETTE DES GAZ TWCS THROTTLE

La manette des gaz TWCS possède 8 axes, dont 3 axes sont réservés au pédalier TFRP.

Le pédalier TFRP se branche directement sur la manette des gaz **TWCS Throttle**.

1. Branchez le connecteur mâle RJ12 du pédalier sur le connecteur femelle RJ12 situé à l'arrière de la manette des gaz TWCS Throttle.
2. Branchez le connecteur USB de la manette des gaz TWCS Throttle sur l'un des ports USB de votre PC.

Remarques importantes relatives à la calibration automatique des axes :

- Laissez toujours l'axe du palonnier centré lorsque vous branchez le pédalier TFRP à la manette des gaz TWCS Throttle. Ne posez pas les pieds sur le palonnier.
- Les 3 axes des pédales se calibrent automatiquement après quelques mouvements et lorsque les butées physiques de l'axe du palonnier et des 2 axes de freins différentiels sont atteintes.

LOGICIEL DE PROGRAMMATION AVANCÉE T.A.R.G.E.T (Thrustmaster Advanced pRogramming Graphical EdiTor)

Allez sur <https://support.thrustmaster.com>. Cliquez sur Joysticks / TWCS Throttle, puis sélectionnez Logiciel. Téléchargez et installez le logiciel de programmation avancée T.A.R.G.E.T.

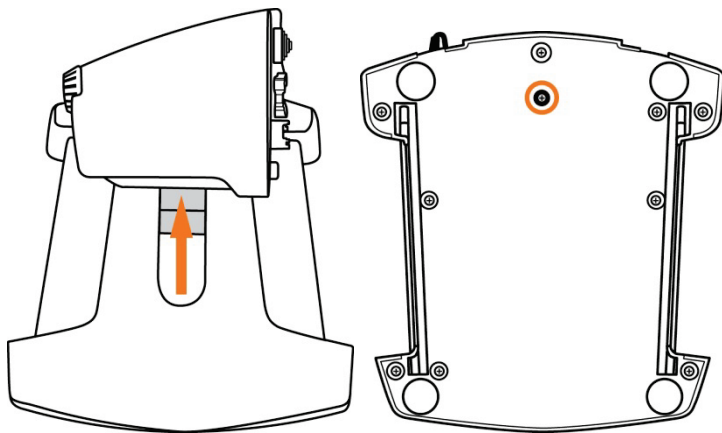
Principales caractéristiques de T.A.R.G.E.T :

- Diverses configurations possibles des axes.
- Plusieurs niveaux de programmation possibles : Basic, Advanced et Script.
- Utilisation du principe Drag and Drop.
- Fusion possible de la manette des gaz TWCS Throttle avec les autres joysticks - Thrustmaster (Hotas Cougar, Hotas Warthog, T.16000M, MFD Cougar Pack, également compatibles avec T.A.R.G.E.T) permettant la reconnaissance d'un seul périphérique USB.
- Accès aux profils avancés créés par la communauté Thrustmaster.

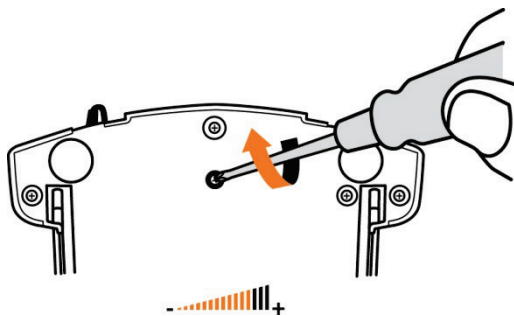


AJUSTEMENT DE LA FRICTION

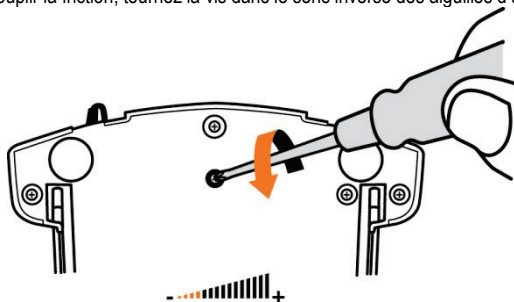
- Poussez l'axe de la manette des gaz au maximum, puis retournez le TWCS Throttle pour accéder à la vis d'ajustement de la friction.



- Pour durcir la friction, tournez la vis dans le sens des aiguilles d'une montre.



- Pour assouplir la friction, tournez la vis dans le sens inverse des aiguilles d'une montre.



- Pour éviter d'endommager le système de friction, ne serrez pas trop fort la vis d'ajustement. Arrêtez de tourner lorsque vous sentez une résistance.
- Ne dévissez pas complètement la vis d'ajustement afin d'éviter qu'elle ne tombe dans la coque interne du TWCS Throttle.

DEPANNAGE ET AVERTISSEMENT

- **Ma manette des gaz TWCS Throttle ne fonctionne pas correctement ou semble mal calibrée.**

- Éteignez votre PC, débranchez le connecteur USB du TWCS Throttle, rebranchez-le, rallumez votre ordinateur (ou votre console), puis relancez votre jeu.
- Lorsque vous branchez le connecteur USB du TWCS Throttle, laissez toujours l'axe du palonnier centré. Ne posez pas les pieds sur le palonnier.

- **Je n'arrive pas à configurer ma manette des gaz TWCS Throttle.**

- Dans le menu Options / Contrôleur / Manette ou Joystick de votre jeu, choisissez la configuration appropriée ou reconfigurez complètement les options du contrôleur.
- Pour plus d'informations, reportez-vous au manuel de l'utilisateur ou à l'aide en ligne de votre jeu.
- Utilisez le logiciel de programmation avancée T.A.R.G.E.T (Thrustmaster Advanced pRogramming Graphical EdiTor).

- **Ma manette des gaz TWCS Throttle est trop ou pas assez sensible.**

- Les axes du TWCS Throttle s'auto-calibrent après quelques mouvements effectués et après avoir atteint les butées physiques des axes.
- Dans le menu Options / Contrôleur / Manette ou Joystick de votre jeu, ajustez la sensibilité et les zones mortes de votre contrôleur, si l'option est disponible.
- Utilisez le logiciel de programmation avancée T.A.R.G.E.T (Thrustmaster Advanced pRogramming Graphical EdiTor).

INFORMATIONS RELATIVES A LA GARANTIE AUX CONSOMMATEURS

Dans le monde entier, Guillemot Corporation S.A., ayant son siège social Place du Granier, B.P. 97143, 35571 Chantepie, France (ci-après « Guillemot ») garantit au consommateur que le présent produit Thrustmaster est exempt de défaut matériel et de vice de fabrication, et ce, pour une période de garantie qui correspond au délai pour intenter une action en conformité de ce produit. Dans les pays de l'Union Européenne, ce délai est de deux (2) ans à compter de la délivrance du produit Thrustmaster. Dans les autres pays, la durée de la période de garantie correspond au délai pour intenter une action en conformité du produit Thrustmaster selon la législation en vigueur dans le pays où le consommateur avait son domicile lors de l'achat du produit Thrustmaster (si une telle action en conformité n'existe pas dans ce pays alors la période de garantie est de un (1) an à compter de la date d'achat d'origine du produit Thrustmaster).

Nonobstant ce qui précède, les batteries sont garanties six (6) mois à compter de la date d'achat d'origine.

Si, au cours de la période de garantie, le produit semble défectueux, contactez immédiatement le Support Technique qui vous indiquera la procédure à suivre. Si le défaut est confirmé, le produit devra être retourné à son lieu d'achat (ou tout autre lieu indiqué par le Support Technique).

Dans le cadre de la garantie, le consommateur bénéficiera, au choix du Support Technique, d'un remplacement ou d'une remise en état de marche du produit défectueux. Si, pendant la période de garantie, le produit Thrustmaster fait l'objet d'une telle remise en état, toute période d'immobilisation d'au moins sept jours vient s'ajouter à la durée de la garantie qui restait à courir (cette période court à compter de la demande d'intervention du consommateur ou de la mise à disposition pour remise en état du produit en cause, si cette mise à disposition est postérieure à la demande d'intervention). Lorsque la loi applicable l'autorise, toute responsabilité de Guillemot et ses filiales (y compris pour les dommages indirects) se limite à la remise en état de marche ou au remplacement du produit Thrustmaster. Lorsque la loi applicable l'autorise, Guillemot exclut toutes garanties de qualité marchande ou d'adaptation à un usage particulier.

Cette garantie ne s'appliquera pas : (1) si le produit a été modifié, ouvert, altéré, ou a subi des dommages résultant d'une utilisation inappropriée ou abusive, d'une négligence, d'un accident, de l'usure normale, ou de toute autre cause non liée à un défaut matériel ou à un vice de fabrication (y compris, mais non limitativement, une combinaison du produit Thrustmaster avec tout élément inadapté, notamment alimentations électriques, batteries, chargeurs, ou tous autres éléments non-fournis par Guillemot pour ce produit) ; (2) si le produit a été utilisé en dehors du cadre privé, à des fins professionnelles ou commerciales (salles de jeu, formations, compétitions, par exemple). (3) en cas de non respect des instructions du Support Technique ; (4) aux logiciels, lesdits logiciels faisant l'objet d'une garantie spécifique ; (5) aux consommables (éléments à remplacer pendant la durée de vie du produit : piles, coussinets de casque audio, par exemple) ; (6) aux accessoires (câbles, étuis, housses, sacs, dragonnes, par exemple) ; (7) si le produit a été vendu aux enchères publiques.

Cette garantie n'est pas transférable.

Les droits légaux du consommateur au titre de la législation applicable dans son pays à la vente de biens de consommation ne sont pas affectés par la présente garantie.

Par exemple, en France, indépendamment de la présente garantie, le vendeur reste tenu de la garantie légale de conformité mentionnée aux articles L. 211-4 à L. 211-13 du code de la consommation et de celle relative aux défauts (vices cachés) de la chose vendue, dans les conditions prévues aux articles 1641 à 1648 et 2232 du code civil. La loi applicable (c'est-à-dire la loi française) impose de reproduire les extraits de la loi française suivants:

Article L. 211-4 du code de la consommation:

Le vendeur est tenu de livrer un bien conforme au contrat et répond des défauts de conformité existant lors de la délivrance.

Il répond également des défauts de conformité résultant de l'emballage, des instructions de montage ou de l'installation lorsque celle-ci a été mise à sa charge par le contrat ou a été réalisée sous sa responsabilité.

Article L. 211-5 du code de la consommation:

Pour être conforme au contrat, le bien doit :

1° Etre propre à l'usage habituellement attendu d'un bien semblable et, le cas échéant :

- correspondre à la description donnée par le vendeur et posséder les qualités que celui-ci a présentées à l'acheteur sous forme d'échantillon ou de modèle ;

- présenter les qualités qu'un acheteur peut légitimement attendre eu égard aux déclarations publiques faites par le vendeur, par le producteur ou par son représentant, notamment dans la publicité ou l'étiquetage ;

2° Ou présenter les caractéristiques définies d'un commun accord par les parties ou être propre à tout usage spécial recherché par l'acheteur, porté à la connaissance du vendeur et que ce dernier a accepté.

Article L. 211-12 du code de la consommation:

L'action résultant du défaut de conformité se prescrit par deux ans à compter de la délivrance du bien.

Article L. 1641 du code civil:

Le vendeur est tenu de la garantie à raison des défauts cachés de la chose vendue qui la rendent impropre à l'usage auquel on la destine, ou qui diminuent tellement cet usage que l'acheteur ne l'aurait pas acquise, ou n'en aurait donné qu'un moindre prix, s'il les avait connus.

Article L. 1648 alinéa 1er du code civil:

L'action résultant des vices rédhibitoires doit être intentée par l'acquéreur dans un délai de deux ans à compter de la découverte du vice.

Stipulations additionnelles à la garantie

Pendant la période de garantie, Guillemot ne fournira, en principe, pas de pièce détachée car le Support Technique est seul habilité tant à ouvrir qu'à remettre en état tout produit Thrustmaster (à l'exception des remises en état que le Support Technique demanderait, par instructions écrites, au consommateur d'effectuer -par exemple en raison de la simplicité et de l'absence de confidentialité du processus de remise en état-, en lui fournissant, le cas échéant, la ou les pièces détachées nécessaires).

Compte tenu de ses cycles d'innovation et pour préserver ses savoir-faire et secrets, Guillemot ne fournira, en principe, ni notice de remise en état, ni pièce détachée pour tout produit Thrustmaster dont la période de garantie est expirée.

Aux États-Unis d'Amérique et au Canada, la présente garantie est limitée au mécanisme interne et au boîtier externe du produit. En aucun cas, Guillemot ou ses sociétés affiliées ne sauraient être tenues responsables envers qui que ce soit de tous dommages indirects ou dommages accessoires résultant du non respect des garanties expresses ou implicites. Certains États/Provinces n'autorisent pas la limitation sur la durée d'une garantie implicite, ou l'exclusion ou la limitation de responsabilité pour les dommages indirects ou accessoires, de sorte que les limitations ou exclusions ci-dessus peuvent ne pas vous être applicables. Cette garantie vous confère des droits spécifiques ; vous pouvez également bénéficier d'autres droits qui peuvent différer d'un État/Province à l'autre.

Responsabilité

Lorsque la loi applicable l'autorise, Guillemot Corporation S.A. (ci-après « Guillemot ») et ses filiales excluent toute responsabilité pour tous dommages causés par un ou plusieurs des faits suivants: (1) le produit a été modifié, ouvert, altéré, (2) l'irrespect des instructions de montage, (3) l'utilisation inappropriée ou abusive, la négligence, l'accident (un choc, par exemple), (4) l'usure normale du produit, (5) l'utilisation du produit en dehors du cadre privé, à des fins professionnelles ou commerciales (salles de jeu, formations, compétitions, par exemple). Lorsque la loi applicable l'autorise, Guillemot et ses filiales excluent toute responsabilité pour tout dommage dont la cause n'est pas liée à un défaut matériel ou à un vice de fabrication du produit (y compris, mais non limitativement, tout dommage causé directement ou indirectement par tout logiciel, ou par une combinaison du produit Thrustmaster avec tout élément inadapté, notamment alimentations électriques, batteries, chargeurs, ou tous autres éléments non-fournis par Guillemot pour ce produit).

COPYRIGHT

© 2016 Guillemot Corporation S.A. Tous droits réservés. Thrustmaster® est une marque déposée de Guillemot Corporation S.A. Windows® est une marque déposée de Microsoft Corporation aux Etats-Unis et/ou dans d'autres pays. Toutes les autres marques sont la propriété de leurs propriétaires respectifs. Illustrations non contractuelles. Le contenu, la conception et les spécifications sont susceptibles de changer sans préavis et de varier selon les pays. Fabriqué en Chine.

RECOMMANDATION RELATIVE A LA PROTECTION DE L'ENVIRONNEMENT



En fin de vie, ce produit ne doit pas être éliminé avec les déchets ménagers normaux mais déposé à un point de collecte des déchets d'équipements électriques et électroniques en vue de son recyclage.

Ceci est confirmé par le symbole figurant sur le produit, le manuel utilisateur ou l'emballage.

En fonction de leurs caractéristiques, les matériaux peuvent être recyclés. Par le recyclage et par les autres formes de valorisation des déchets d'équipements électriques et électroniques, vous contribuez de manière significative à la protection de l'environnement. Veuillez consulter les autorités locales qui vous indiqueront le point de collecte concerné.

Informations à conserver. Les couleurs et décorations peuvent varier.

Ce produit est en conformité avec l'ensemble des normes relatives aux enfants de plus de 14 ans. Il ne convient pas aux enfants de moins de 14 ans.

www.thrustmaster.com



THRUSTMASTER®

SUPPORT TECHNIQUE

<https://support.thrustmaster.com>

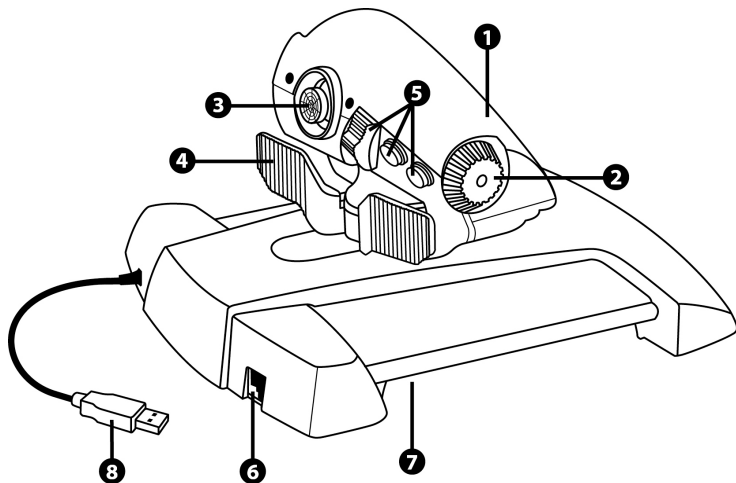


TWCS

Throttle

Benutzerhandbuch

TECHNISCHE SPEZIFIKATIONEN



1. Schubregler-Achse
2. Antennen-Achse
3. Ministick mit Druckknopf-Achsen
4. Wippschalter-Achsen

5. 14 Aktionstasten
6. TFRP Ruder-Anschluss
7. Schraube zur Einstellung des Reibungswiderstands
8. USB-Anschlusskabel

INSTALLATIONSANWEISUNGEN FÜR PC

1. Gehen Sie auf <https://support.thrustmaster.com/> zu Joysticks / TWCS Throttle, dann wählen Sie Treiber aus. Laden Sie sich den PC-Treiber und seine benutzerdefinierte Schnittstelle zur Windows-Systemsteuerung herunter und installieren Sie ihn.

2. Nach Installation des PC-Treibers verbinden Sie das USB-Anschlusskabel mit einem der USB-Ports Ihres PCs.

3. Um auf die Systemsteuerung zuzugreifen, wählen Sie:

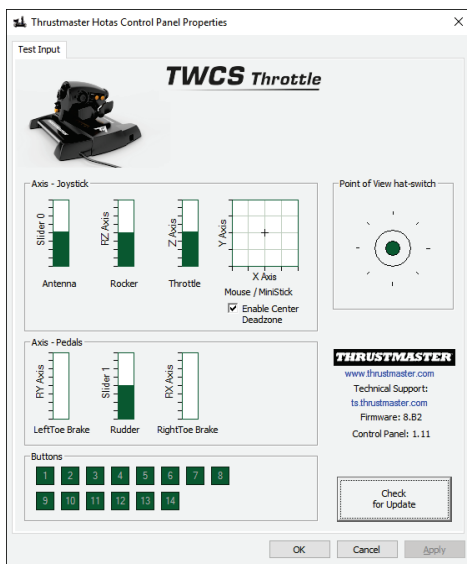
- **Start / Programme / Thrustmaster / Control Panel** oder **Start / Control Panel** (in Windows® 10 / 8.1 / 8)

- **Start / Programme / Thrustmaster / Control Panel** oder **Start / Control Panel** (in Windows® 7 / Vista)

Das Dialogfeld **Gamecontroller** wird angezeigt.

Das Gerät erscheint unter dem Namen **TWCS Throttle** mit dem Status **OK**.

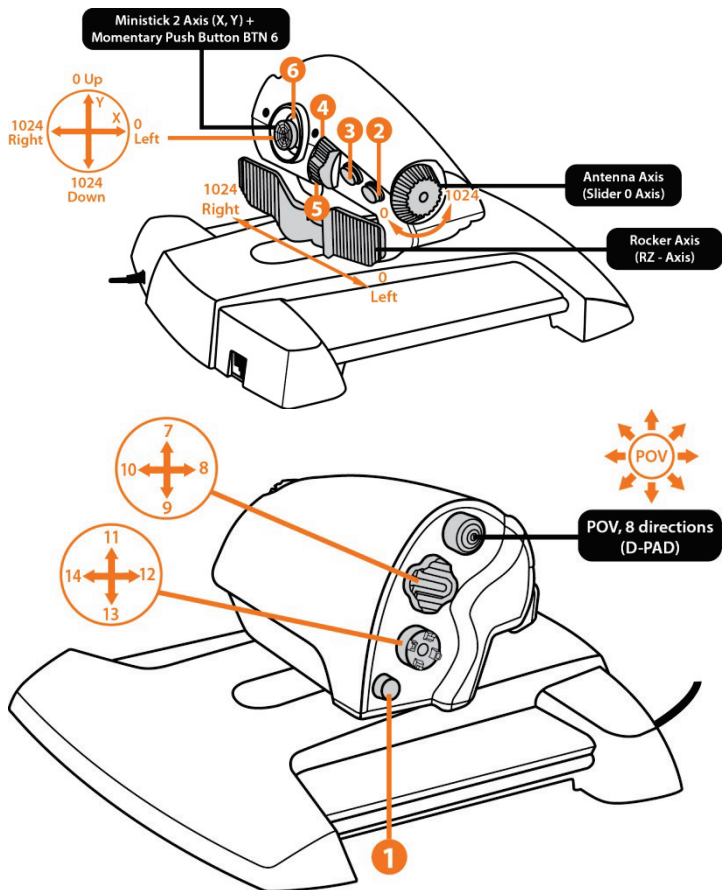
4. Wählen Sie **Eigenschaften** im Dialogfeld Gamecontroller, um alle Funktionen anzuzeigen und zu testen.

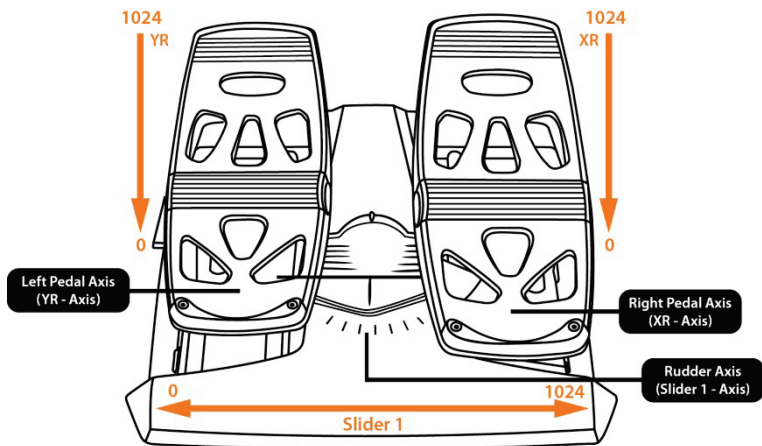
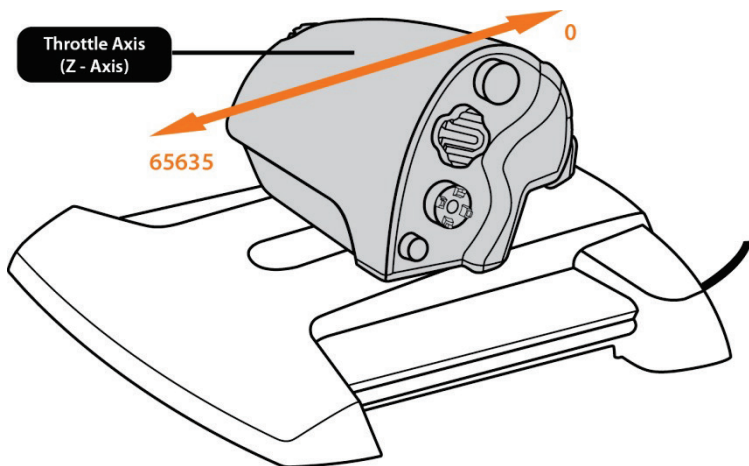


Anmerkung: Der Knopf Enable Center Deadzone erlaubt Ihnen, die "Dead Zones" der Achsen der Ministicks zu aktivieren oder zu deaktivieren. Ihre Auswahl wird automatisch im internen Speicher vom TWCS Throttle gespeichert.

Jetzt können Sie Ihr Spiel beginnen!

MAPPING DER 14 ACTION-TASTEN UND DER 8 AXCHSEN





INSTALLATION DES TFRP-RUDER AM TWCS THROTTLE

Der TWCS Throttle verfügt über 8 Achsen, davon 3 Achsen für die TFRP-Ruder.

Die TFRP Ruder sind direkt an den **TWCS Throttle** angeschlossen.

1. Schließen Sie den RJ12-Steckerverbinder „Ruder“ an die RJ12-Buchse auf der Rückseite des TWCS Throttle an.
2. Schließen Sie das USB-Anschlusskabel des TWCS Throttle an einen der USB-Ports Ihres PCs an.

Wichtige Hinweise zur automatischen Achsenkalibrierung:

- Lassen Sie immer die Steuerachse zentriert, wenn das TFRP-Set an den TWCS Throttle angeschlossen wird. Lassen Sie dabei nicht Ihre Füße auf den Pedalen liegen.
- Die 3-Achsen-Selbstkalibrierung der Steuerpedale funktioniert nach wenigen Bewegungen, d.h. wenn die physikalischen Anschläge der Steuerachsen und der beiden Differentialbremsachsen erreicht werden.

PROGRAMMIERSOFTWARE T.A.R.G.E.T

(Thrustmaster Advanced Programming Graphical Editor)

Gehen Sie auf der Website <https://support.thrustmaster.com> zu Joysticks / TWCS Throttle, dann wählen Sie Software. Laden Sie sich die Programmiersoftware T.A.R.G.E.T herunter und installieren Sie sie.

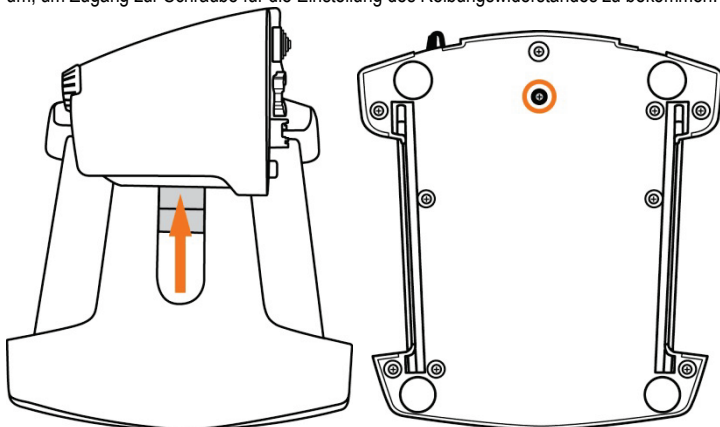
T.A.R.G.E.T – die wichtigsten Eigenschaften:

- Mehrfache Konfiguration von Achsen.
- Verschiedene Programmierlevel: Basic, Advanced und Script.
- 'Drag and Drop'-Kontrollen.
- Ermöglicht die Kombination des TWCS Throttle mit anderen Thrustmaster-Joysticks (HOTAS Cougar, HOTAS Warhog, T.16000M, MFD Cougar Pack, auch kompatibel mit T.A.R.G.E.T). Dadurch werden die Controller als eigenständiges, einzelnes USB-Gerät erkannt.
- Zugriff auf weitere Profile, kreiert von der Thrustmaster-Community.

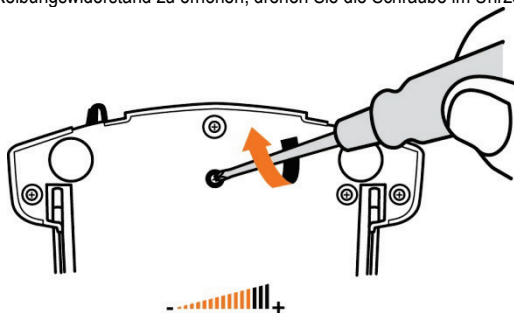


EINSTELLUNG DES REIBUNGSWIDERSTANDS

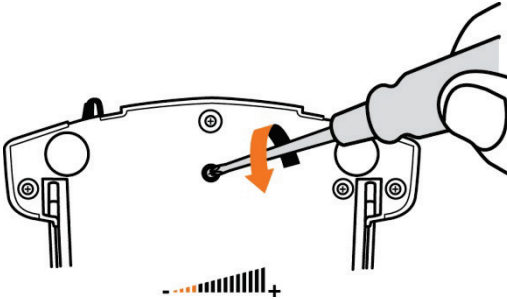
- Schieben Sie den Schubregler in die "maximale" Position und drehen Sie diesen dann um, um Zugang zur Schraube für die Einstellung des Reibungswiderstandes zu bekommen.



- Um den Reibungswiderstand zu erhöhen, drehen Sie die Schraube im Uhrzeigersinn.



- Um den Reibungswiderstand zu verringern, drehen Sie die Schraube gegen den Uhrzeigersinn.



- Ziehen Sie die Schraube nicht zu fest an, denn damit können Sie das System zur Einstellung der Reibung beschädigen. Sobald Sie Widerstand spüren, hören Sie mit dem Anziehen der Schraube auf!
- Lösen Sie die Schraube niemals komplett, denn dann könnte diese in das Gehäuse des TWCS Throttle fallen.

FEHLERBEHEBUNG

- **Mein TWCS Throttle reagiert nicht wie vorgesehen oder ist nicht korrekt kalibriert.**
 - Schalten Sie Ihren PC aus, entfernen Sie das USB-Anschlusskabel Ihres TWCS Throttle. Dann verbinden Sie diesen wieder mit Ihrem PC und schalten diesen wieder an (oder entsprechend Ihre Konsole) und dann starten Sie das Spiel wieder neu.
 - Wenn Sie das USB-Anschlusskabel des TWCS Throttle anschließen, dann lassen Sie die Achse des Ruders in der zentralen Position. Legen Sie dabei nicht Ihre Füße auf die Pedale.
- **Ich kann meinen TWCS Throttle nicht konfigurieren.**
 - Wählen Sie im Menü des Spieles unter Options / Controller / Throttle oder Joystick die entsprechende Konfiguration aus oder stellen Sie die Optionen des Controllers komplett neu ein.
 - Bitte lesen Sie das Handbuch Ihres Spiels für weitere Hilfe oder gehen Sie bitte online für weitere Informationen.
 - Benutzen Sie die T.A.R.G.E.T (Thrustmaster Advanced pRogramming Graphical EdiTor)-Software.
- **Mein TWCS Throttle reagiert entweder zu empfindlich oder zu wenig empfindlich.**
 - Die Achsen des TWCS Throttle kalibrieren sich nach ein paar Bewegungen, oder wenn die physikalischen Bewegungsgrenzen erreicht sind, selbstständig.
 - Im Menü des Spieles unter Options / Controller / Throttle oder Joystick können Sie die Sensibilität und die Dead Zones einstellen (soweit verfügbar).
 - Benutzen Sie die T.A.R.G.E.T (Thrustmaster Advanced pRogramming Graphical EdiTor)-Software.

Kunden-Garantie-Information

Guillemot Corporation S.A. mit Hauptfirmensitz in Place du Granier, B.P. 97143, 35571 Chantepie, France (fortfolgend "Guillemot") garantiert Kunden weltweit, daß dieses Thrustmaster Produkt frei von Mängeln in Material und Verarbeitung für eine Gewährleistungsfrist ist, die mit der Frist für eine Mängelrüge bezüglich des Produktes übereinstimmt. In den Ländern der Europäischen Union entspricht diese einem Zeitraum von zwei (2) Jahren ab Kaufdatum des Thrustmaster Produktes. In anderen Ländern entspricht die Gewährleistungsfrist der zeitlichen Begrenzung für eine Mängelrüge bezüglich des Thrustmaster Produktes in Übereinstimmung mit anwendbarem Recht des Landes, in dem der Kunde zum Zeitpunkt des Erwerbs eines Thrustmaster Produktes wohnhaft ist. Sollte eine entsprechende Regelung in dem entsprechenden Land nicht existieren, umfasst die Gewährleistungspflicht einen Zeitraum von einem (1) Jahr ab dem originären Kaufdatum des Thrustmaster Produktes.

Ungeachtet dessen werden wiederaufladbare Batterien (fortfolgend "Akkus") durch eine Gewährleistungsfrist von sechs (6) Monaten ab dem Kaufdatum abgedeckt.

Sollten bei dem Produkt innerhalb der Gewährleistungsfrist Defekte auftreten, kontaktieren Sie unverzüglich den technischen Kundendienst, der die weitere Vorgehensweise anzeigt. Wurde der Defekt bestätigt, muß das Produkt an die Verkaufsstelle (oder an eine andere Stelle, je nach Maßgabe des technischen Kundendienstes) retourniert werden.

Im Rahmen dieser Garantie sollte das defekte Produkt des Kunden, je nach Entscheidung des technischen Kundendienstes, entweder ausgetauscht oder repariert werden. Sollte während der Garantiezeit das Thrustmaster Produkt einer derartigen Instandsetzung unterliegen und das Produkt während eines Zeitraums von mindestens sieben (7) Tagen nicht benutzbar sein, wird diese Zeit der restlichen Garantiezeit hinzugefügt. Diese Frist läuft ab dem Zeitpunkt, an dem der Wunsch des Verbrauchers bezüglich einer Intervention vorliegt oder ab dem Tag, an dem das fragliche Produkt zur Instandsetzung zur Verfügung steht, falls das Datum, an dem das Produkt zur Instandsetzung zur Verfügung steht, dem Datum des Antrags auf Intervention nachfolgt. Wenn nach geltendem Recht zulässig, beschränkt sich die volle Haftung von Guillemot und ihrer Tochtergesellschaften auf die Reparatur oder den Austausch des Thrustmaster Produktes (inklusive Folgeschäden). Wenn nach geltendem Recht zulässig, lehnt Guillemot alle Gewährleistungen der Marktgängigkeit oder Eignung für einen bestimmten Zweck ab.

Der Gewährleistungsanspruch verfällt: (1) Falls das Produkt modifiziert, geöffnet, verändert oder ein Schaden durch unsachgemäßen oder missbräuchlichen Gebrauch hervorgerufen wurde, sowie durch Fahrlässigkeit, einen Unfall, Verschleiß oder irgendeinem anderen Grund – aber nicht durch Material- oder Herstellungsfehler (einschließlich, aber nicht beschränkt auf, die Kombination der Thrustmaster Produkte mit ungeeigneten Elementen, insbesondere Netzteile, Akkus, Ladegeräte, oder andere Elemente, die von Guillemot für dieses Produkt nicht mitgeliefert wurden); (2) Falls das Produkt für eine andere Nutzung als zum privaten Hausgebrauch, einschließlich für professionelle oder kommerzielle Zwecke (z. B. Spielhallen, Training, Wettkämpfe) verwendet wird; (3) Im Falle der Nichteinhaltung der durch den technischen Support erteilten Anweisungen; (4) Durch Software. Die besagte Software ist Gegenstand einer speziellen Garantie; (5) Bei Verbrauchsmaterialien (Elemente, die während der Produktlebensdauer ausgetauscht werden, wie z. B. Einwegbatterien, Ohrpolster für ein Audioheadset oder für Kopfhörer); (6) Bei Accessoires (z. B. Kabel, Etuis, Taschen, Beutel, Handgelenk-Riemen); (7) Falls das Produkt in einer öffentlichen Versteigerung verkauft wurde.

Diese Garantie ist nicht übertragbar.

Die Rechte des Kunden in Übereinstimmung mit anwendbarem Recht bezüglich des Verkaufs auf Konsumgüter im Land der/der Kunden/Kundin wird durch diese Garantie nicht beeinträchtigt.

Zusätzliche Gewährleistungsbestimmungen

Während der Garantiezeit bietet Guillemot grundsätzlich keine Ersatzteile an, da der technische Kundendienst der einzige autorisierte Partner zum Öffnen und/oder Instandsetzen jedweden Thrustmaster-Produktes ist (mit Ausnahme von irgendwelchen Instandsetzungsprozeduren, die der Kunde nach Maßgabe des technischen Kundendienstes und durch schriftliche Instruktionen sowie der Zurverfügungstellung des/der eventuell erforderlichen Ersatzteil(s)(e) selbst in der Lage ist durchzuführen – zum Beispiel aufgrund der Einfachheit und einer nicht erforderlichen Geheimhaltung des Instandsetzungsverfahrens).

Aufgrund seiner Innovationszyklen und um sein Know-how und seine Geschäftsgeheimnisse zu schützen, bietet Guillemot grundsätzlich keine Instandsetzungs-Benachrichtigung oder Ersatzteile für alle Thrustmaster Produkte an, deren Garantiezeit abgelaufen ist.

In den Vereinigten Staaten von Amerika und in Kanada ist diese Gewährleistung auf den internen Mechanismus und das externe Gehäuse beschränkt. Auf keinen Fall haftet Guillemot oder ihre Tochtergesellschaften gegenüber Dritten für etwaige Folgeschäden oder mittelbare Schäden, die aus der Nichteinhaltung der ausdrücklichen oder stillschweigenden Gewährleistung resultieren. Einige Staaten/Provinzen erlauben keine Begrenzung der impliziten Garantie oder einen Ausschluss oder die Beschränkung der Haftung für Folgeschäden oder mittelbare Schäden, so dass die oben genannten Einschränkungen oder Ausschlüsse möglicherweise nicht auf Sie zutreffen.

Diese Garantie gibt Ihnen bestimmte Rechte, und Sie haben möglicherweise auch andere Rechte, die von Staat zu Staat oder Provinz zu Provinz unterschiedlich sein können.

Haftung

Wenn nach dem anwendbaren Recht zulässig, lehnen Guillemot Corporation S.A. (fortfolgend "Guillemot") und ihre Tochtergesellschaften jegliche Haftung für Schäden, die auf eine oder mehrere der folgenden Ursachen zurückzuführen sind, ab: (1) das Produkt wurde modifiziert, geöffnet oder geändert; (2) Nichtbefolgung der Montageanleitung; (3) unangebrachte Nutzung, Fahrlässigkeit, Unfall (z. B. ein Aufprall); (4) normalem Verschleiß; (5) Die Verwendung des Produkts für jedwede andere Nutzung als zum privaten Hausgebrauch, einschließlich professionelle oder kommerzielle Zwecke (z. B. Spielhallen, Training, Wettkämpfe). Wenn nach anwendbarem Recht zulässig, lehnen Guillemot und seine Niederlassungen jegliche Haftung für Schäden, die nicht auf einen Material- oder Herstellungsfehler in Bezug auf das Produkt beruhen (einschließlich, aber nicht beschränkt auf, etwaige Schäden, die direkt oder indirekt durch Software oder durch die Kombination der Thrustmaster Produkte mit ungeeigneten Elementen, insbesondere Netzteile, Akkus, Ladegeräte, oder andere Elemente, die von Guillemot für dieses Produkt nicht geliefert wurden), ab.

COPYRIGHT

© Guillemot Corporation S.A. 2016. Alle Rechte vorbehalten. Thrustmaster® ist ein eingetragenes Warenzeichen der Guillemot Corporation S.A. Windows® ist eine eingetragene Warenzeichen der Microsoft Corporation in den Vereinigten Staaten von Amerika und/oder anderen Ländern. Alle anderen Handelsmarken sind im Besitz Ihrer jeweiligen Eigentümer. Illustrationen nicht verbindlich. Inhalte, Design und Spezifikationen können ohne vorherige Ankündigung geändert werden und können von Land zu Land unterschiedlich sein. Hergestellt in China.

HINWEISE ZUM UMWELTSCHUTZ



Dieses Produkt darf nach Ende seiner Lebensdauer nicht über den Hausmüll entsorgt werden, sondern muss an einem Sammelpunkt für das Recycling von elektrischen und elektronischen Geräten abgegeben werden.

Das Symbol auf dem Produkt, der Gebrauchsanleitung oder der Verpackung weist darauf hin.

Die Werkstoffe sind gemäß ihrer Kennzeichnung wiederverwertbar. Mit der Wiederverwertung, der stofflichen Verwertung oder anderen Formen von Altgeräten leisten Sie einen wichtigen Beitrag zum Schutz unserer Umwelt.

Bitte erfragen Sie bei der Gemeindeverwaltung die zuständige Entsorgungsstelle.

Wichtige Informationen. Die Farben und Verzierungen können abweichen.

Dieses Produkt stimmt mit allen Standards, die Kinder ab 14 und älter betreffen, überein. Dieses Produkt ist nicht geeignet für den Gebrauch von Kindern, die jünger als 14 Jahre sind.

www.thrustmaster.com



THRUSTMASTER®

TECHNISCHER SUPPORT

<http://support.thrustmaster.com>

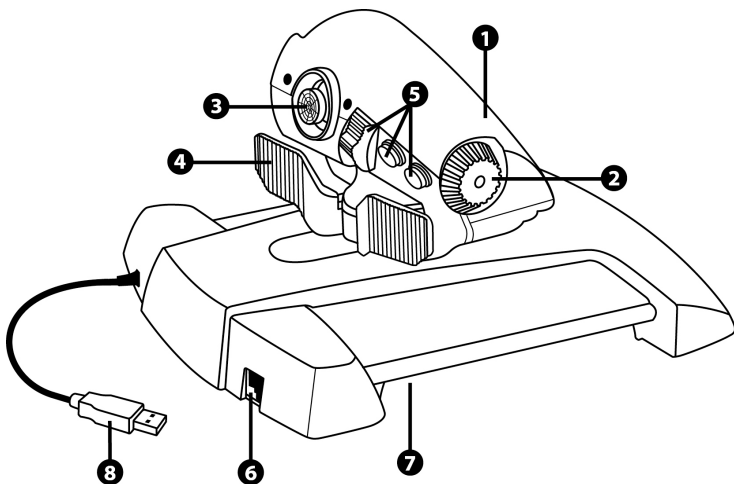


TWCS

Throttle

Handleiding

TECHNISCHE SPECIFICATIES



1. Throttle-as
2. Antenne-as
3. Ministick-assen met drukknop
4. Tuimelschakelaarassen

5. 14 actieknoppen
6. TFRP-roerconnector
7. Schroef voor afstellen frictie
8. USB-connector

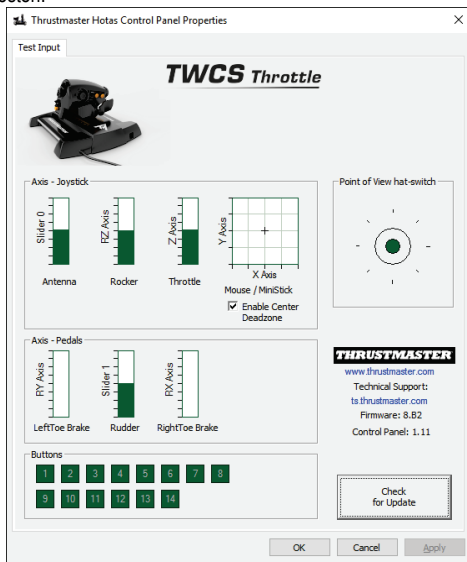
SETUP-INSTRUCTIES VOOR DE PC

1. Ga naar <https://support.thrustmaster.com/>. Selecteer Joysticks / TWCS Throttle en vervolgens Drivers. Download en installeer de PC-driver en de bijbehorende specifieke interface gebaseerd op het Windows-configuratiescherm.
2. Sluit na het installeren van de PC-driver de USB-connector aan op een van de USB-poorten van de PC.
3. Start als volgt het Controlepaneel:
 - **Start / Alle apps / Thrustmaster / Controlepaneel** of **Start / Configuratiescherm** (in Windows® 10 / 8.1 / 8)
 - **Start / Alle programma's / Thrustmaster / Controlepaneel** of **Start / Controlepaneel** (in Windows® 7 / Vista)

Het dialoogvenster **Spelbesturingen** wordt nu geopend.

Het apparaat is te vinden onder de naam **TWCS Throttle**, met de status **OK**.

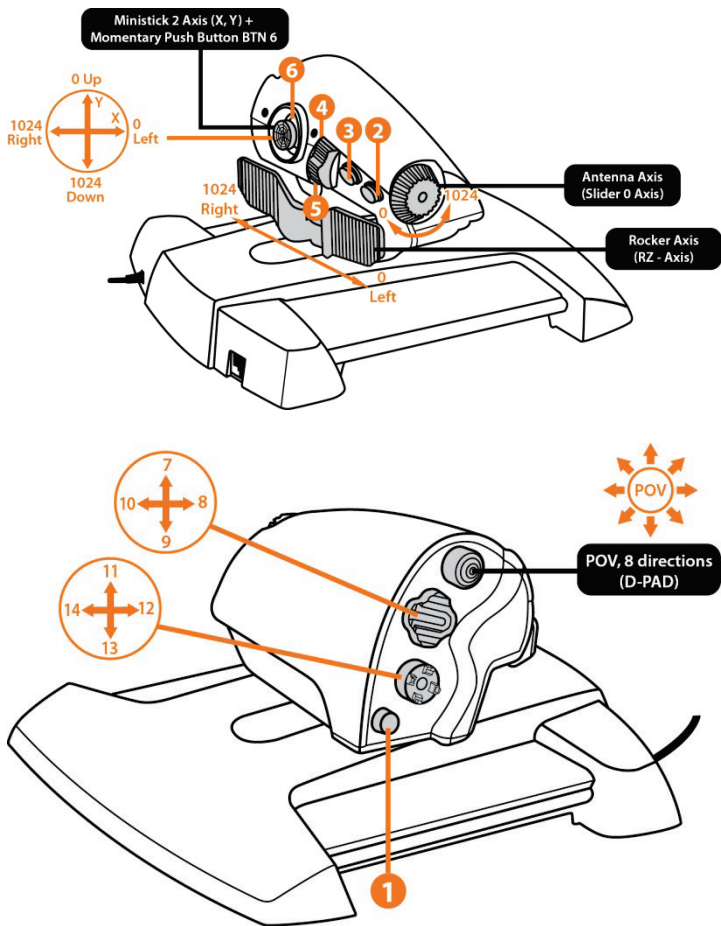
4. Klik op **Eigenschappen** in het dialoogvenster **Spelbesturingen** om alle functies te bekijken en te testen.

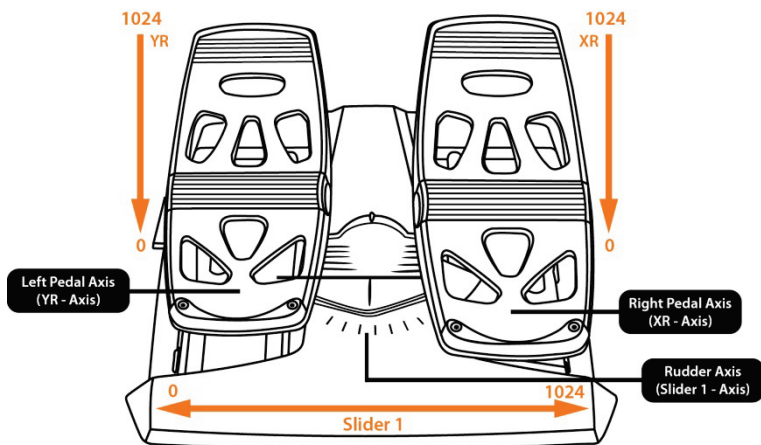
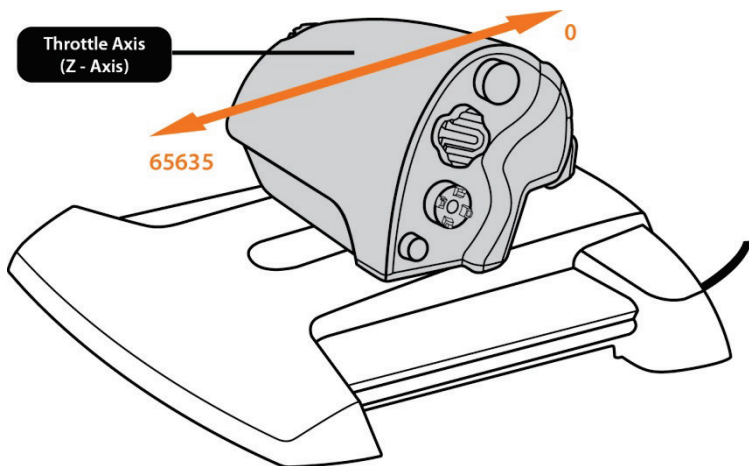


Opmerking: Op de tab Enable Center Deadzone is de dode middenstand van de assen van de minystick te activeren of te deactiveren. De keuze voor deze modus wordt automatisch opgeslagen in het interne geheugen van de TWCS.

Nu kan er gespeeld worden!

MAPPING VAN DE 14 KNOPPEN EN 8 ASSEN





MONTAGE VAN HET TFRP-ROER OP DE TWCS-THROTTLE

De TWCS-throttle beschikt over 8 assen waaronder 3 assen speciaal voor de TFRP-roerpedalen.

De TFRP-roerpedalen worden rechtstreeks aangesloten op de **TWCS-throttle**.

1. Sluit de RJ12 mannetjesconnector van de roerpedalen aan op de RJ12 vrouwjesconnector achterop de TWCS-throttle.
2. Sluit de USB-connector van de TWCS-throttle aan op een USB-poort van uw PC.

Belangrijke opmerkingen over het automatisch kalibreren van de as:

- Laat de roeras altijd in de middenstand staan wanneer u de TFRP-pedaalset aansluit op de TWCS-throttle. Haal uw voeten van de pedalen af.

De 3 assen van de roerpedalen kalibreren zich automatisch na een paar bewegingen en na het bereiken van de fysieke eindstops voor de roeras en de 2 assen van de differentieelremmen.

T.A.R.G.E.T GEAVANCEERDE PROGRAMMEERSOFTWARE

(Thrustmaster Advanced pRogramming Graphical EdiTor)

Ga naar <https://support.thrustmaster.com>. Selecteer Joysticks / TWCS Throttle en vervolgens Software. Download en installeer de T.A.R.G.E.T geavanceerde programmeersoftware.

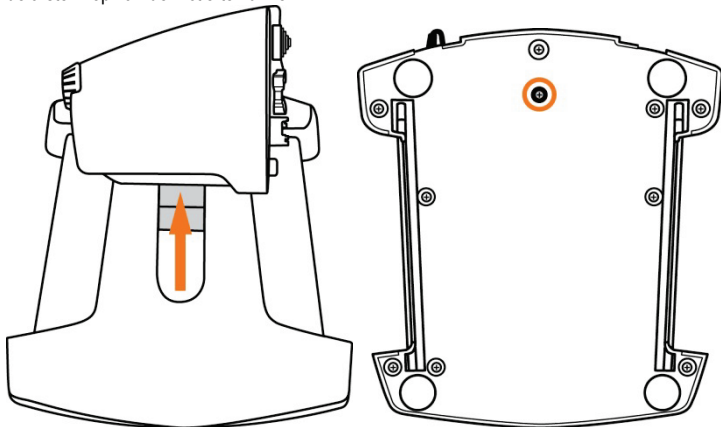
Belangrijkste specificaties van T.A.R.G.E.T:

- Configuraties van meerdere assen.
- Meerdere programmeerniveaus: Basic, Advanced en Script.
- 'Drag & Drop' bediening.
- Mogelijkheid om de TWCS-throttle te combineren met andere Thrustmaster-joysticks (HOTAS Cougar, HOTAS Warhog, T.16000M, MFD Cougar Pack, ook compatibel met T.A.R.G.E.T) waardoor de controllers herkend worden als een enkel USB-apparaat.
- Krijg toegang tot geavanceerde profielen gemaakt door de Thrustmaster-community.

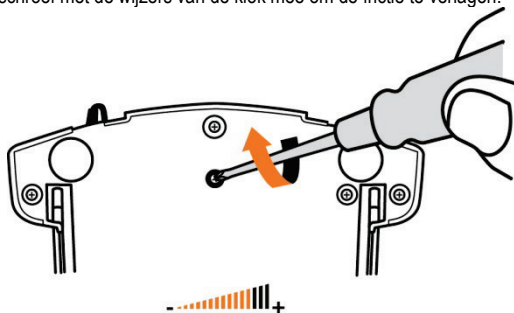


AFSTELLEN VAN FRICTIE

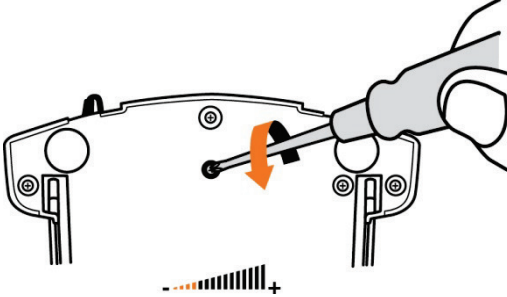
- Zet de as van de throttle in de maximumstand en zet de TWCS-throttle op zijn kop om bij de afstelknop van de frictie te kunnen.



- Draai de schroef met de wijzers van de klok mee om de frictie te verlagen.



- Draai de schroef tegen de wijzers van de klok in om de frictie te verhogen.



- Draai de afstelschroef niet al te vast aan om te voorkomen dat het frictiesysteem beschadigd raakt. Stop met het aandraaien van de schroef zodra u enige weerstand voelt.
- Draai de afstelschroef niet helemaal los om te voorkomen dat deze in de behuizing van de TWCS-throttle valt.

PROBLEMEN OPLOSSEN EN WAARSCHUWINGEN

- **Mijn TWCS-throttle werkt niet goed of lijkt onjuist gekalibreerd te zijn.**
 - Zet uw PC UIT, koppel de USB-connector van de TWCS-throttle los, sluit de connector opnieuw aan, zet uw PC (of uw gameconsole) weer AAN en start de game weer op.
 - Laat de roeras altijd in de middenstand staan wanneer u de USB-connector van de TWCS-throttle aansluit. Haal uw voeten van de pedalen af.
- **Ik kan mijn TWCS-throttle niet configureren.**
 - Selecteer de meest geschikte configuratie in het menu Options / Controller / Throttle of Joystick van de game, of maak een compleet nieuwe configuratie van de opties van de controller.
 - Raadpleeg de handleiding of de online help van de game voor meer informatie.
 - Gebruik de T.A.R.G.E.T (Thrustmaster Advanced pRogramming Graphical EdiTor) software.
- **Mijn TWCS-throttle reageert te gevoelig of niet gevoelig genoeg.**
 - De assen van TWCS-throttle kalibreren zichzelf na een paar bewegingen en wanneer de fysieke stops van de assen worden bereikt.
 - Stel de gevoeligheid en de dode zones van de controller af in het menu Options / Controller / Throttle of Joystick van de game, indien beschikbaar.
 - Gebruik de T.A.R.G.E.T (Thrustmaster Advanced pRogramming Graphical EdiTor) software.

Informatie met betrekking tot kopersgarantie

Wereldwijd garandeert Guillemot Corporation S.A., het statutair adres gevestigd aan de Place du Granier, B.P. 97143, 35571 Chantepie, Frankrijk, (hierna te noemen "Guillemot") aan de koper dat dit Thrustmaster-product vrij zal zijn van materiaal- en fabricagefouten gedurende een garantieperiode gelijk aan de tijd maximaal vereist om een restitutie/vervangings voor dit product te claimen. In landen van de Europese Unie komt dit overeen met een periode van twee (2) jaar vanaf het moment van levering van het Thrustmaster-product. In andere landen komt de garantieperiode overeen met de tijd maximaal vereist om een restitutie/vervangings voor dit Thrustmaster-product te claimen zoals wettelijk is vastgelegd in het land waarin de koper woonachtig was op de datum van aankoop van het Thrustmaster-product. Indien een dergelijk claimrecht niet wettelijk is vastgelegd in het betreffende land, geldt een garantieperiode van één (1) jaar vanaf datum aankoop van het Thrustmaster-product.

Ongeacht het hierboven gestelde, geldt voor oplaadbare batterijen een garantieperiode van zes (6) maanden vanaf datum aankoop.

Indien u in de garantieperiode een defect meent te constateren aan dit product, neem dan onmiddellijk contact op met Technical Support die u zal informeren over de te volgen procedure. Als het defect wordt bevestigd, dient het product te worden geretourneerd naar de plaats van aankoop (of een andere locatie die wordt opgegeven door Technical Support).

Binnen het gestelde van deze garantie wordt het defecte product van de koper gerepareerd of vervangen, zulks ter beoordeling van Technical Support. Indien het Thrustmaster-product tijdens de garantieperiode is onderworpen aan een dergelijk herstel, wordt elke periode van ten minste zeven (7) dagen waarin het product niet in gebruik is, opgeteld bij de resterende garantieperiode (deze periode loopt vanaf de datum van verzoek van de consument voor interventie of vanaf de datum waarop het product in kwestie beschikbaar is gesteld voor herstel als de datum waarop het product ter beschikking wordt gesteld voor herstel later is dan de datum van het verzoek om interventie). Indien toegestaan door van toepassing zijnde wetgeving, beperkt de volledige aansprakelijkheid van Guillemot en haar dochterondernemingen (inclusief de aansprakelijkheid voor vervolgschade) zich tot het repareren of vervangen van het Thrustmaster-product. Indien toegestaan door van toepassing zijnde wetgeving, wijst Guillemot elke garantie af met betrekking tot verhandelbaarheid of geschiktheid voor enig doel.

Deze garantie is niet van kracht: (1) indien het product aangepast, geopend of gewijzigd is, of beschadigd is ten gevolge van oneigenlijk of onvoorzichtig gebruik, verwaarlozing, een ongeluk, normale slijtage, of enige andere oorzaak die niet gerelateerd is aan een materiaal- of fabricagefout (inclusief maar niet beperkt tot het combineren van het Thrustmaster-product met enig ongeschikt element waaronder in het bijzonder voedingsadapters, oplaadbare batterijen, opladers of enig ander element niet geleverd door Guillemot voor dit product); (2) als het product is gebruikt voor enig ander doel dan thuisgebruik, zoals maar niet exclusief een professioneel of commercieel doel (bijvoorbeeld game rooms, training, wedstrijden); (3) indien u zich niet houdt aan de instructies zoals verstrekt door Technical Support; (4) op software die onder een specifieke garantie valt; (5) op verbruiksartikelen (elementen die tijdens de levensduur van het product worden vervangen zoals bijvoorbeeld batterijen of pads van een headset of koptelefoon); (6) op accessoires (zoals bijvoorbeeld kabels, behuizingen, hoesjes, etui's, draagtassen of polsbandjes); (7) indien het product werd verkocht op een openbare veiling.

Deze garantie is niet overdraagbaar.

De wettelijke rechten van de koper die in zijn/haar land van toepassing zijn op de verkoop van consumentproducten worden op generlei wijze door deze garantie beperkt.

Aanvullende garantieregelingen

Gedurende de garantieperiode zal Guillemot in principe nooit reserveonderdelen leveren omdat Technical Support de enige partij is die bevoegd is een Thrustmaster-product te openen en/of te herstellen (met uitzondering van een herstelprocedure die de klant door Technical Support gevraagd wordt uit te voeren met behulp van schriftelijke instructies – omdat deze procedure bijvoorbeeld eenvoudig is en het herstelproces niet vertrouwelijk is – en door het verstrekken aan de consument van de benodigde onderdelen, indien van toepassing).

Gezien de innovatiecycli en om haar knowhow en handelsgeheimen te beschermen, zal Guillemot in principe nooit een herstelbeschrijving of reserveonderdelen verstrekken voor een Thrustmaster-product waarvan de garantieperiode is verstreken.

In de Verenigde Staten en Canada is deze garantie beperkt tot het interne mechanisme en de externe behuizing van dit product. In geen geval kan Guillemot of een van de bij Guillemot aangesloten ondernemingen aansprakelijk worden gesteld voor enige derde partij voor vervolgschade of incidentele schade als gevolg van inbreuk op expliciete of impliciete garantiebepalingen. In sommige rechtsgebieden zijn beperkingen ten aanzien van de duur van impliciete garanties en uitsluiting of beperking van aansprakelijkheid voor incidentele schade of vervolgschade niet toegestaan. Het is dus mogelijk dat bovenstaande beperkingen of uitsluitingen voor u niet van toepassing is. Deze garantie verleent u specifieke wettelijke rechten. Anderzijds is het mogelijk dat u rechten hebt die niet in deze garantiebepalingen worden genoemd. Voorwaarden en condities variëren van land tot land.

Aansprakelijkheid

Indien toegestaan door van toepassing zijnde wetgeving, wijzen Guillemot Corporation S.A. (hierna te noemen "Guillemot") en haar dochterondernemingen alle aansprakelijkheid af voor enige schade veroorzaakt door één van de volgende oorzaken: (1) indien het product aangepast, geopend of gewijzigd is; (2) de montage-instructies niet zijn opgevolgd; (3) oneigenlijk of onvoorzichtig gebruik, verwaarlozing, een ongeluk (bijvoorbeeld stoten); (4) normale slijtage; (5) het gebruik van het product voor enig ander doel dan thuisgebruik, zoals maar niet exclusief een professioneel of commercieel doel (bijvoorbeeld game rooms, training, wedstrijden). Indien toegestaan onder van toepassing zijnde wetgeving, wijzen Guillemot en haar dochterondernemingen alle aansprakelijkheid af voor enige schade aan dit product niet gerelateerd aan een materiaal- of fabricagefout (inclusief maar niet beperkt tot enige schade direct of indirect veroorzaakt door enige software, of door het combineren van het Thrustmaster-product met enig ongeschikt element waaronder in het bijzonder voedingsadapters, oplaadbare batterijen, opladers of enig ander element niet geleverd door Guillemot voor dit product).

COPYRIGHT

© 2016 Guillemot Corporation S.A. Alle rechten voorbehouden. Thrustmaster® is een geregistreerd handelsmerk van Guillemot Corporation S.A. Windows® is een geregistreerd handelsmerk van Microsoft Corporation in de Verenigde Staten en/of andere landen. Alle andere handelsmerken zijn eigendom van de respectieve eigenaren. Afbeeldingen zijn niet bindend. Inhoud, ontwerp en specificaties kunnen zonder kennisgeving vooraf worden gewijzigd en kunnen per land verschillen. Geproduceerd in China.

AANBEVELINGEN VOOR DE BESCHERMING VAN HET MILIEU



Gooi dit product na het einde van de levensduur niet weg met het normale afval, maar breng het naar het door uw gemeente aangewezen inzamelpunt voor elektrische en/of computerapparatuur.

Ter herinnering is hiertoe op het product, de gebruikshandleiding of de verpakking een symbool aangebracht.

De meeste materialen kunnen worden gerecycled. Door recycling en andere methoden voor verantwoorde verwerking van afgedankte elektrische en elektronische apparaten kunt u een belangrijke bijdrage leveren aan de bescherming van het milieu.

Neem contact op met uw gemeente voor informatie over een inzamelpunt bij u in de buurt.

Bewaar deze informatie. De kleuren en decoraties kunnen variëren.

Dit product voldoet aan alle normen voor kinderen van 14 jaar en ouder. Dit product is niet geschikt voor gebruik door kinderen jonger dan 14 jaar.

www.thrustmaster.com



THRUSTMASTER®

TECHNISCHE ONDERSTEUNING

<http://support.thrustmaster.com>

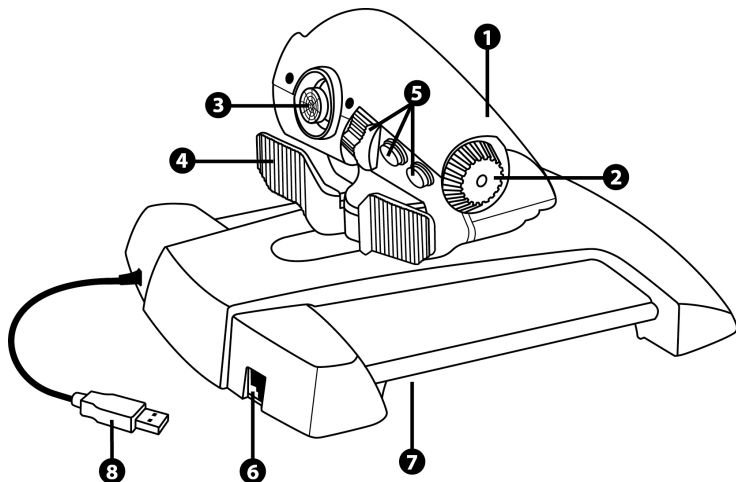


TWCS

Throttle

Manuale d'uso

CARATTERISTICHE TECNICHE



1. Asse manetta
2. Asse antenna
3. Assi mini-stick con pulsante a pressione
4. Assi levetta timone

5. 14 pulsanti azione
6. Connettore timone TFRP
7. Vite regolazione resistenza
8. Connettore USB

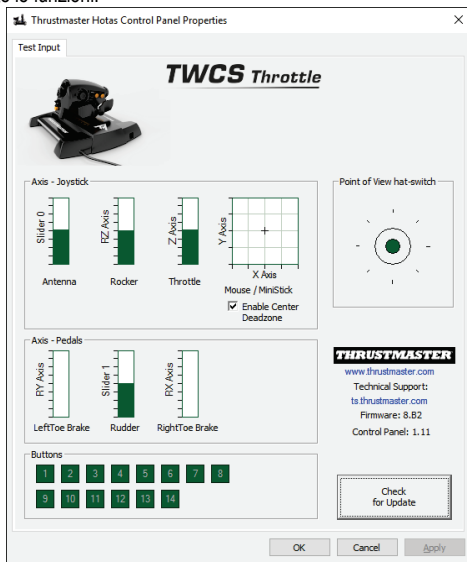
ISTRUZIONI DI INSTALLAZIONE SU PC

1. Vai su <https://support.thrustmaster.com/>. Seleziona Joystick / TWCS Throttle, dopodiché scegli Driver. Scarica e installa i driver per PC e la relativa interfaccia in stile Pannello di Controllo di Windows.
2. Dopo aver installato i driver per PC, collega il connettore USB ad una porta USB del tuo PC.
3. Per accedere al Pannello di Controllo, seleziona:
- **Start / Applicazioni / Thrustmaster / Pannello di controllo** oppure **Start / Pannello di controllo** (in Windows® 10 / 8.1 / 8)
- **Start / Tutti i programmi / Thrustmaster / Pannello di controllo** oppure **Start / Pannello di controllo** (in Windows® 7 / Vista)

Apparirà la finestra di dialogo **Controller di gioco**.

La periferica comparirà con il nome **TWCS Throttle** e avrete come stato **OK**.

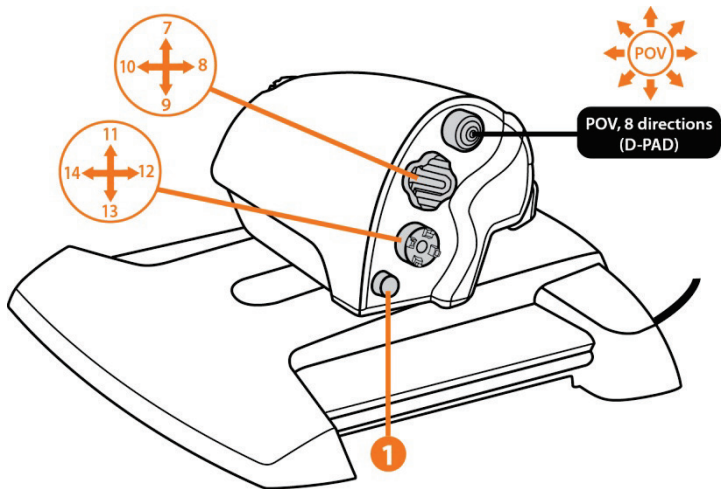
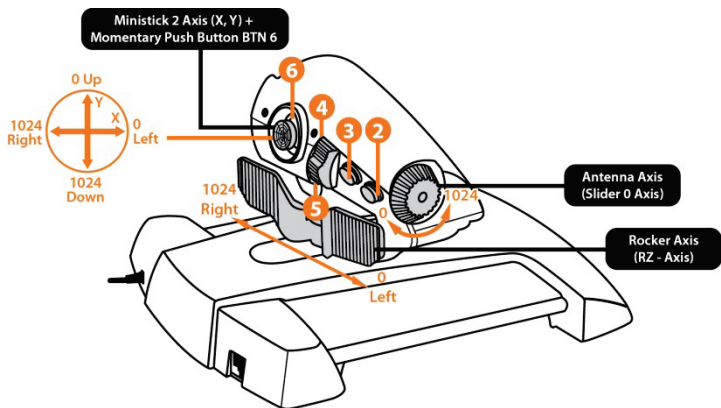
4. Nella finestra di dialogo **Controller di gioco**, seleziona **Proprietà** per testare e visualizzare tutte le funzioni.

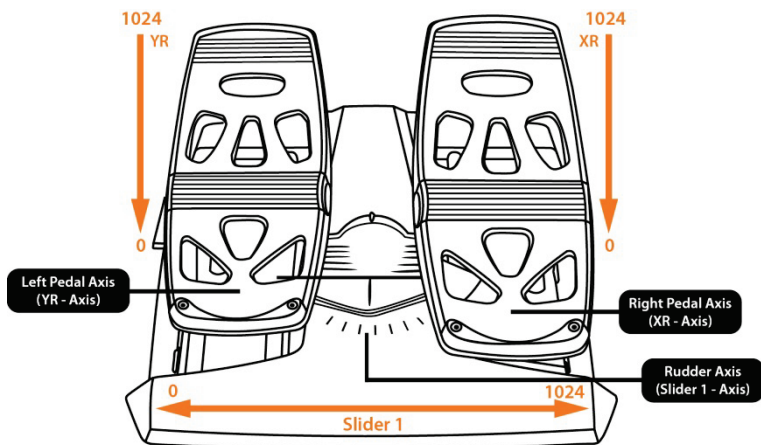
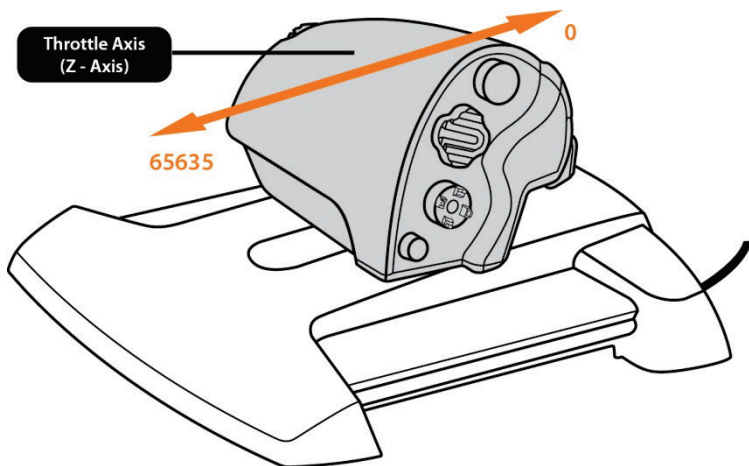


Nota: tramite la scheda Enable Center Deadzone potrai attivare o disattivare la zona morta al centro degli assi del mini-stick. La tua scelta verrà automaticamente salvata nella memoria interna del TWCS.

Ora sei pronto per giocare!

MAPPATURA DEGLI 8 ASSI E DEI 14 PULSANTI





INSTALLAZIONE DEL TIMONE TFRP SULLA MANETTA TWCS

La manetta TWCS dispone di 8 assi, compresi 3 assi dedicati al timone a pedali TFRP.

Il timone a pedali TFRP si collega direttamente alla **manetta TWCS**.

1. Collega il connettore RJ12 maschio del timone a pedali al connettore RJ12 femmina presente sul retro della manetta TWCS.
2. Collega il connettore USB della manetta TWCS ad una porta USB del tuo PC.

Note importanti sulla calibrazioni automatica degli assi:

- Quando colleghi la pedaliera TFRP alla manetta TWCS, lascia sempre l'asse del timone in posizione centrale. Non appoggiare il tuo piede sui pedali.
- I 3 assi del timone a pedali si calibrano automaticamente dopo alcuni movimenti e dopo aver raggiunto il termine fisico dell'asse del timone e dei 2 assi del freno differenziale.

SOFTWARE DI PROGRAMMAZIONE AVANZATA T.A.R.G.E.T (Thrustmaster Advanced pROgramming Graphical EdiTor)

Vai su <https://support.thrustmaster.com>. Seleziona Joystick / TWCS Throttle, quindi scegli Software. Scarica e installa il software di programmazione avanzata T.A.R.G.E.T.

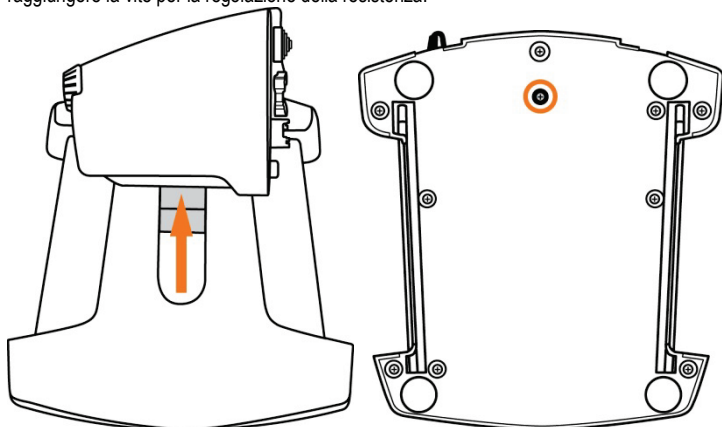
Caratteristiche principali T.A.R.G.E.T:

- Configurazioni multiple degli assi.
- Più livelli di programmazione: Base, Avanzato e Script.
- Controlli 'Drag and Drop'.
- Possibilità di abbinare la manetta TWCS ad altri joystick Thrustmaster (HOTAS Cougar, HOTAS Warthog, T.16000M, MFD Cougar Pack, anch'essi compatibili con T.A.R.G.E.T), in modo tale che i controller vengano riconosciuti con un'unica periferica USB.
- Accesso a profili avanzati creati dalla community Thrustmaster.

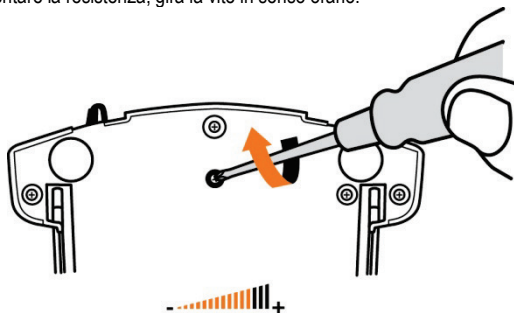


REGOLAZIONE DELLA RESISTENZA

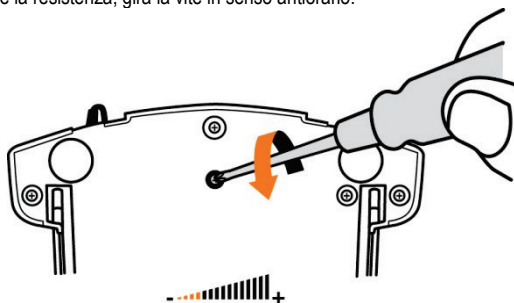
- Spingi a fondo l'asse della manetta, dopodiché ribalta la manetta TWCS per poter raggiungere la vite per la regolazione della resistenza.



- Per aumentare la resistenza, gira la vite in senso orario.



- Per ridurre la resistenza, gira la vite in senso antiorario.



- Non stringere troppo la vite di regolazione, altrimenti potresti danneggiare il sistema di attrito. Appena avverti una minima resistenza, smetti di girare la vite.
- Non allentare del tutto la vite di regolazione, altrimenti potrebbe cadere dentro lo chassis interno della manetta TWCS.

AVVISI E RISOLUZIONE DEI PROBLEMI

- **La mia manetta TWCS non funziona correttamente o non sembra essere correttamente calibrata.**

- Spegni il tuo PC, scollega il connettore USB della manetta TWCS, dopodiché ricollegalo; accendi il tuo computer (o la tua console), quindi riavvia il gioco.
- Quando colleghi il connettore USB della manetta TWCS, lascia sempre l'asse del timone in posizione centrale. Non appoggiare il tuo piede sui pedali.

- **Non riesco a configurare la mia manetta TWCS.**

- Nel menu del gioco Opzioni / Controller / Manetta o Joystick, seleziona la configurazione più appropriata oppure riconfigura completamente le opzioni del controller.
- Per ulteriori informazioni, consulta il manuale d'uso o l'aiuto online del tuo gioco.
- Usa il software T.A.R.G.E.T (Thrustmaster Advanced pRogramming Graphical EdiTor).

- **La mia manetta TWCS è troppo sensibile o non abbastanza sensibile.**

- Gli assi della manetta TWCS si calibrano automaticamente dopo alcuni movimenti e dopo il raggiungimento del termine fisico degli assi.
- Dal menu del gioco Opzioni / Controller / Manetta o Joystick, regola la sensibilità e le zone morte del tuo controller, se disponibili.
- Usa il software T.A.R.G.E.T (Thrustmaster Advanced pRogramming Graphical EdiTor).

Informazioni sulla garanzia al consumatore

A livello mondiale, Guillemot Corporation S.A., avente sede legale in Place du Granier, B.P. 97143, 35571 Chantepie, Francia (d'ora in avanti "Guillemot") garantisce al consumatore che il presente prodotto Thrustmaster sarà privo di difetti relativi ai materiali e alla fabbricazione, per un periodo di garanzia corrispondente al limite temporale stabilito per la presentazione di un reclamo riguardante la conformità del prodotto in questione. Nei paesi della Comunità Europea, tale periodo equivale a due (2) anni a partire dalla consegna del prodotto Thrustmaster. In altri paesi, la durata della garanzia corrisponde al limite temporale stabilito per la presentazione di un reclamo riguardante la conformità del prodotto Thrustmaster in base alle leggi applicabili nel paese in cui il consumatore risiede alla data di acquisto del prodotto Thrustmaster (qualora nel paese in questione non esistesse alcuna norma a riguardo, il periodo di garanzia corrisponderà a un (1) anno a partire dalla data originale di acquisto del prodotto Thrustmaster).

Diversamente da quanto affermato in precedenza, le batterie ricaricabili sono coperte da una garanzia di sei (6) mesi dalla data di acquisto originale.

Qualora, durante il periodo di garanzia, il prodotto dovesse apparire difettoso, contatti immediatamente l'Assistenza Tecnica, che le indicherà la procedura da seguire. Qualora il difetto dovesse essere confermato, il prodotto dovrà essere riportato al luogo di acquisto (o qualsiasi altro luogo indicato dall'Assistenza Tecnica).

Nel contesto della presente garanzia, il prodotto difettoso di proprietà del consumatore potrà essere sostituito o reso nuovamente funzionante, a discrezione dell'Assistenza Tecnica. Se, durante il periodo coperto dalla garanzia, il prodotto Thrustmaster fosse oggetto di tale rimessa in operatività, alla rimanente durata della garanzia dovrà essere aggiunto un periodo di almeno sette (7) giorni, durante il quale il prodotto risulta non utilizzabile (tale periodo intercorre dalla data della richiesta di intervento da parte del consumatore o dalla data in cui il prodotto in questione è reso disponibile per la rimessa in operatività, questo nel caso in cui tale data sia successiva alla data di richiesta di intervento). Qualora le leggi applicabili in materia lo consentano, la totale responsabilità di Guillemot e delle sue controllate (compresi i danni conseguenti) si limita alla rimessa in operatività o alla sostituzione del prodotto Thrustmaster. Qualora le leggi applicabili in materia lo consentano, Guillemot declina ogni garanzia sulla commerciabilità o la conformità a finalità particolari.

La presente garanzia non potrà essere applicata: (1) se il prodotto è stato modificato, aperto, alterato o ha subito danni derivanti da un uso inappropriato o non autorizzato, da negligenza, da un incidente, dalla semplice usura, o da qualsiasi altra causa non riconducibile a difetti nei materiali o nell'assemblaggio (compresi, ma non i soli, prodotti Thrustmaster combinati con elementi inadatti, tra cui, in particolare, batterie ricaricabili, caricatori o qualsiasi altro elemento non fornito da Guillemot per questo prodotto); (2) nel caso in cui il prodotto sia stato utilizzato per qualsiasi altro scopo al di fuori dell'uso domestico, comprese finalità professionali o commerciali (esempio: sale giochi, allenamenti, concorsi); (3) in caso di mancato rispetto delle istruzioni fornite dall'Assistenza Tecnica; (4) in caso di software, ovvero software soggetto a una specifica garanzia; (5) ai materiali di consumo (elementi che richiedono la loro sostituzione al termine della loro durata di esercizio come, ad esempio, batterie di tipo convenzionale o cuscinetti protettivi per auricolari o cuffie); (6) agli accessori (ad esempio, cavi, custodie, borsette, borse, cinturini); (7) se il prodotto è stato venduto ad un'asta pubblica.

La presente garanzia non è trasferibile.

I diritti legali del consumatore, stabiliti dalle leggi vigenti in materia di vendita di beni di consumo nel relativo paese, non vengono intaccati dalla presente garanzia.

Disposizioni aggiuntive sulla garanzia

Per tutta la durata della garanzia, in linea di principio, Guillemot non fornirà alcuna parte di ricambio, in quanto la sola Assistenza Tecnica è la parte autorizzata ad aprire e/o rimettere in funzionamento tutti i prodotti Thrustmaster (fatta eccezione per eventuali procedure di rimessa in operatività che l'Assistenza Tecnica potrebbe richiedere al consumatore, attraverso istruzioni scritte – viste, ad esempio, la semplicità e la mancanza di riservatezza della procedura di rimessa in operatività – e fornendo al consumatore le necessarie parti di ricambio, se ve ne fosse l'esigenza).

Considerando i propri cicli di innovazione e per proteggere il proprio know-how e i propri segreti commerciali, in linea di principio, Guillemot non fornirà alcuna notifica o parte di ricambio finalizzata alla rimessa in attività di un qualunque prodotto Thrustmaster il cui periodo di garanzia risultasse scaduto.

Negli Stati Uniti d'America e in Canada, la presente garanzia è limitata al meccanismo interno del prodotto e alla struttura esterna. In nessun caso Guillemot o le sue controllate potranno essere ritenute responsabili, da una qualunque parte terza, per qualsiasi danno accidentale o consequenziale derivante dalla violazione di una qualunque garanzia, espressa o implicita. Alcuni Stati/Province non ammettono limitazioni alla durata di una garanzia implicita, oppure all'esclusione o alla limitazione della responsabilità per danni accidentali o consequenziali, per cui le suddette limitazioni o esclusioni potrebbero non riguardarti. La presente garanzia ti fornisce specifici diritti legali, inoltre potresti avere anche altri diritti, variabili da Stato a Stato o da Provincia a Provincia.

Responsabilità

Qualora le leggi applicabili in materia lo consentano, Guillemot Corporation S.A. (d'ora in avanti "Guillemot") e le sue controllate declinano ogni responsabilità per qualsiasi danno derivante da almeno una delle seguenti condizioni: (1) il prodotto è stato modificato, aperto o alterato; (2) mancato rispetto delle istruzioni di installazione; (3) uso inappropriato o non permesso, negligenza, incidente (come, ad esempio, un impatto); (4) semplice usura; (5) utilizzo del prodotto per qualsiasi altro scopo al di fuori dell'uso domestico, comprese finalità professionali o commerciali (esempio: sale giochi, allenamenti, concorsi). Qualora le leggi applicabili in materia lo consentano, Guillemot e le sue controllate declinano ogni responsabilità per qualsiasi danno non riconducibile a difetti nei materiali o nella fabbricazione del prodotto (compresi, ma non i soli, potenziali danni causati direttamente o indirettamente da un qualunque software, oppure dall'uso del prodotto Thrustmaster in combinazione con elementi inadatti, tra cui, in particolare, batterie ricaricabili, caricatori o qualsiasi altro elemento non fornito da Guillemot per questo prodotto).

ENGLISH

FRANÇAIS

DEUTSCH

NEDERLANDS

ITALIANO

ESPAÑOL

PORTUGUÊS

РУССКИЙ

ΕΛΛΗΝΙΚΑ

TÜRKÇE

POLSKI

COPYRIGHT

© 2016 Guillemot Corporation S.A. Tutti i diritti riservati. Thrustmaster® è un marchio registrato di proprietà di Guillemot Corporation S.A. Windows® è un marchio registrato di proprietà di Microsoft Corporation per gli Stati Uniti e/o altri Paesi. Tutti gli altri marchi appartengono ai legittimi proprietari. Illustrazioni escluse. I contenuti, i design e le caratteristiche possono essere oggetto di modifiche senza preavviso e possono variare da un Paese all'altro. Fabbricato in Cina.

RACCOMANDAZIONI SULLA TUTELA DELL'AMBIENTE



Al termine della sua vita operativa, questo prodotto non dovrebbe essere gettato assieme ai comuni rifiuti, ma dovrebbe essere portato ad un apposito punto di raccolta destinato al riciclaggio del Materiale Elettrico ed Elettronico.

Ciò è confermato dal simbolo riportato sul prodotto, nel manuale d'uso o sulla confezione.

A seconda delle proprie caratteristiche, i materiali potrebbero essere riciclati. Tramite il riciclaggio ed altre forme di trattamento del Materiale Elettrico ed Elettronico, è possibile fornire un importante contributo per la salvaguardia dell'ambiente.

Per conoscere i punti di raccolta più vicini a te, contatta le autorità locali competenti.

Informazioni da conservare. I colori e le decorazioni possono variare.

Questo prodotto è conforme con le norme relative ai bambini di età superiore ai 14 anni. Non è adatto all'uso da parte di bambini di età inferiore ai 14 anni.

www.thrustmaster.com



THRUSTMASTER®

ASSISTENZA TECNICA

<http://support.thrustmaster.com>

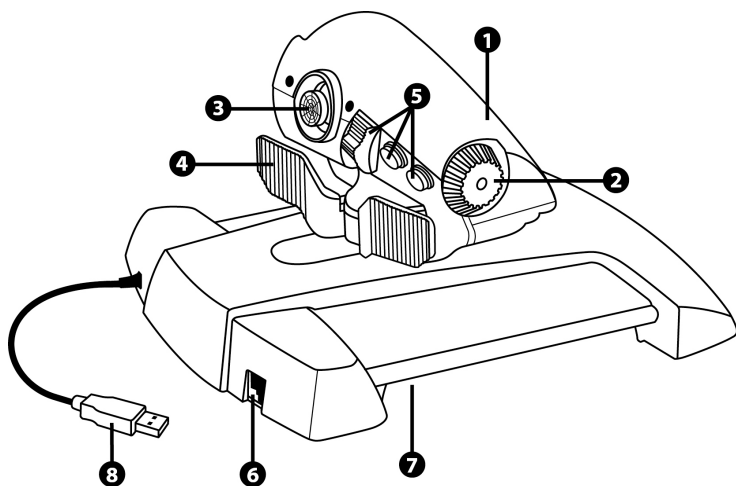


TWCS

Throttle

Manual del usuario

ESPECIFICACIONES TÉCNICAS



1. Eje del mando de potencia
2. Eje de la antena
3. Ejes del mini-stick con botón pulsador
4. Ejes del interruptor rocker

5. 14 botones de acción
6. Conector de timón TFRP
7. Tornillo de ajuste de fricción
8. Conector USB

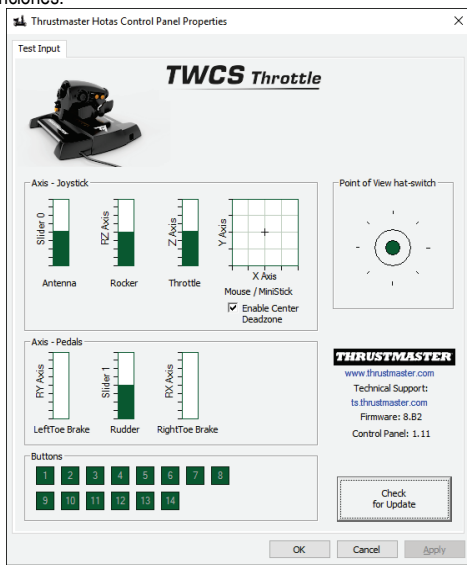
INSTRUCCIONES DE CONFIGURACIÓN PARA PC

1. Dirígete a <https://support.thrustmaster.com/>. Selecciona Joysticks / TWCS Throttle, y luego selecciona Drivers. Descarga e instala el controlador para PC y su interfaz personalizada basada en el Panel de control de Windows.
2. Tras instalar el controlador para PC, enchufa el conector USB en un puerto USB del PC.
3. Para acceder al Panel de control, selecciona:
 - Inicio / Todas las aplicaciones / Thrustmaster / Control Panel o Inicio / Panel de control (en Windows® 10 / 8.1 / 8)
 - Inicio / Todos los programas / Thrustmaster / Control Panel o Inicio / Panel de control (en Windows® 7 / Vista)

Se muestra el cuadro de diálogo **Dispositivos de juego**.

El dispositivo aparece bajo el nombre **TWCS Throttle**, con el estado **OK**.

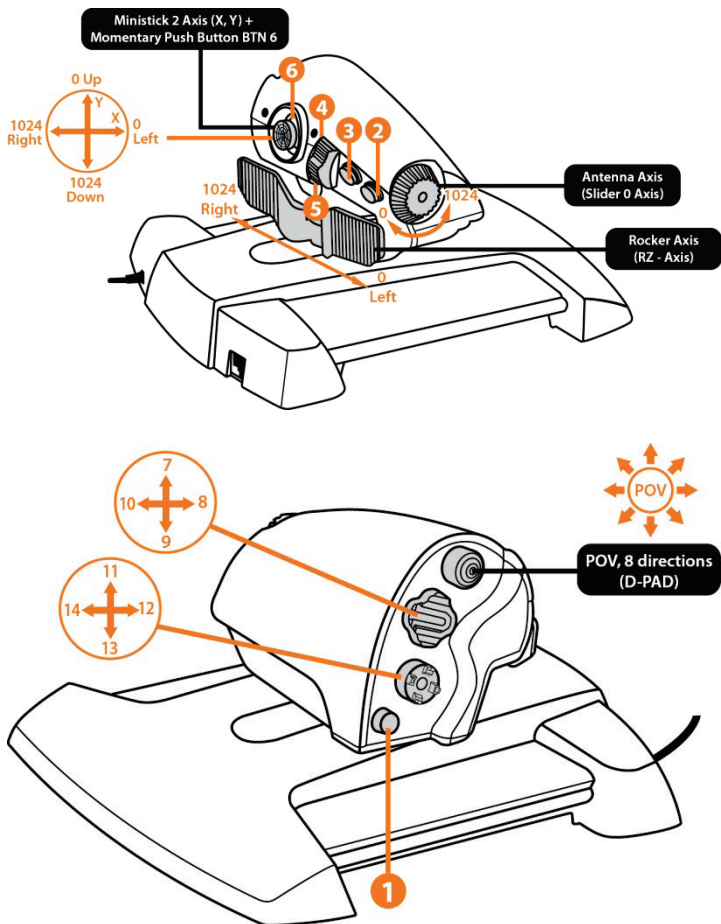
4. En el cuadro de diálogo **Dispositivos de juego**, selecciona **Propiedades** para probar y ver todas las funciones.

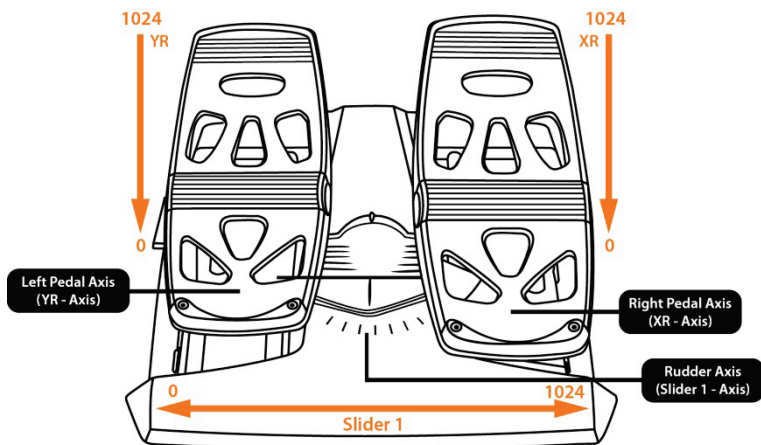
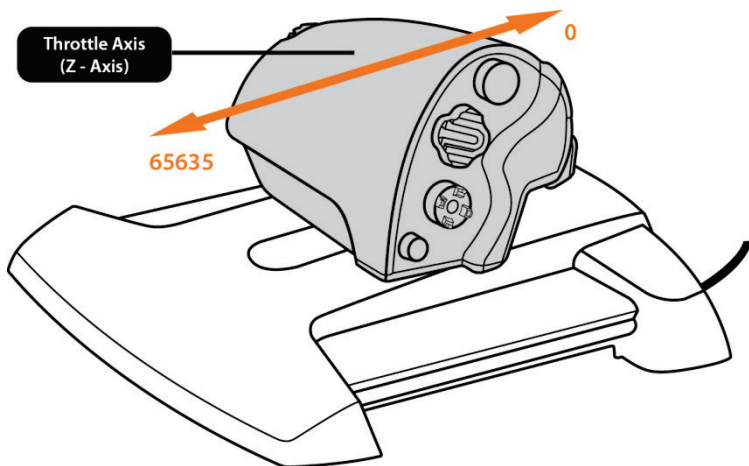


Nota: Con la pestaña **Enable Center Deadzone** puedes activar o desactivar la zona muerta del centro de los ejes del mini-stick. Tu selección se guarda automáticamente en la memoria interna del TWCS.

¡Ya estás preparado para jugar!

MAPEADO DE LOS 14 BOTONES Y 8 EJES





INSTALACIÓN DEL TIMÓN TFRP EN EL MANDO DE POTENCIA TWCS

El mando de potencia TWCS incorpora 8 ejes, que incluyen 3 ejes dedicados a los pedales de timón TFRP.

Los pedales de timón TFRP se conectan directamente al **mando de potencia TWCS**.

1. Enchufa el conector macho RJ12 de los pedales de timón en el conector hembra RJ12 situado en la parte trasera del mando de potencia TWCS.
2. Enchufa el conector USB del mando de potencia TWCS en un puerto USB del PC.

Notas importantes referentes a la calibración automática de los ejes:

- Deja siempre el eje del timón centrado al conectar los pedales TFRP al mando de potencia TWCS. No dejes reposar los pies sobre los pedales.
- Los 3 ejes de los pedales de timón se autocalibran tras algunos movimientos y cuando se llega a los topes físicos del eje del timón y los 2 ejes del freno diferencial.

SOFTWARE DE PROGRAMACIÓN AVANZADA T.A.R.G.E.T (Thrustmaster Advanced pRogramming Graphical EdiTor)

Dirígete a <https://support.thrustmaster.com>. Selecciona Joysticks / TWCS Throttle, y luego selecciona Software. Descarga e instala el software de programación avanzada T.A.R.G.E.T.

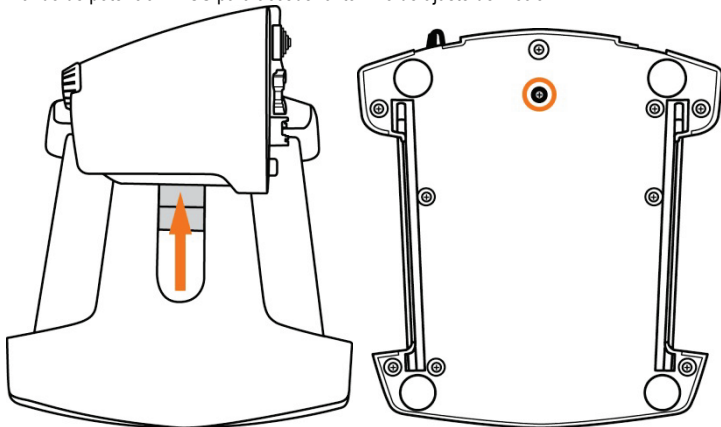
Especificaciones principales de T.A.R.G.E.T:

- Múltiples configuraciones de ejes.
- Múltiples niveles de programación: Básico, Avanzado y Script.
- Controles 'Drag and Drop' (Arrastrar y soltar).
- Capacidad de combinar el mando de potencia TWCS con otros joysticks de Thrustmaster (HOTAS Cougar, HOTAS Warthog, T.16000M, MFD Cougar Pack, también compatibles con T.A.R.G.E.T), de modo que los mandos se reconocen como un único dispositivo USB.
- Acceso a perfiles avanzados creados por la comunidad de Thrustmaster.

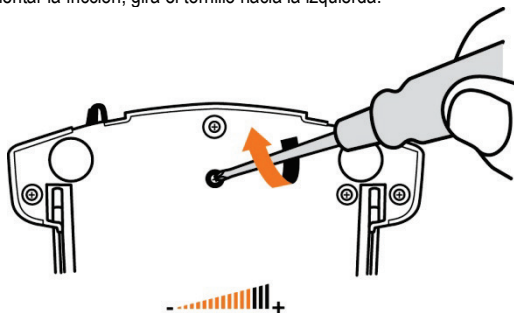


AJUSTE DE FRICCIÓN

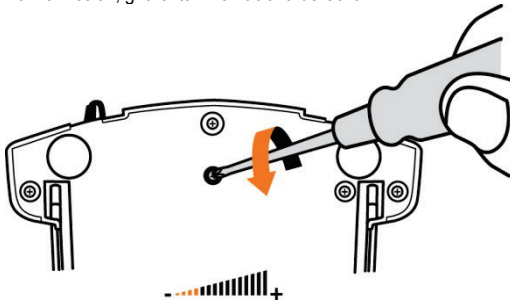
- Empuja el eje del mando de potencia hasta la posición máxima y luego dale la vuelta al mando de potencia TWCS para acceder al tornillo de ajuste de fricción.



- Para aumentar la fricción, gira el tornillo hacia la izquierda.



- Para disminuir la fricción, gira el tornillo hacia la derecha.



- No aprietes en exceso el tornillo de ajuste, ya que eso podría dañar el sistema de fricción. Deja de girar el tornillo en cuanto notes algo de resistencia.
- No aflojes por completo el tornillo de ajuste, ya que podría caerse dentro de la carcasa interna del mando de potencia TWCS.

RESOLUCIÓN DE PROBLEMAS Y ADVERTENCIAS

- **Mi mando de potencia TWCS no funciona de manera adecuada o parece que no está correctamente calibrado.**
 - Apaga el PC, desenchufa el conector USB del mando de potencia TWCS, y luego vuelve a enchufarlo; enciende el ordenador (o la consola de juegos), y luego reinicia el juego.
 - Al enchufar el conector USB del mando de potencia TWCS, deja siempre el eje del timón en la posición central. No dejes reposar los pies sobre los pedales.
- **No puedo configurar el mando de potencia TWCS.**
 - En el menú Opciones / Mando / Throttle o Joystick del juego, selecciona la configuración apropiada o vuelve a configurar por completo las opciones del mando.
 - Consulta el manual del usuario o la ayuda en línea del juego para obtener más información.
 - Usa el software T.A.R.G.E.T (Thrustmaster Advanced pRogramming Graphical EdiTor).
- **Mi mando de potencia TWCS es demasiado sensible o no es lo bastante sensible.**
 - Los ejes del mando de potencia TWCS se autocalibran tras algunos movimientos y cuando se llega a los topes físicos de los ejes.
 - En el menú Opciones / Mando / Throttle o Joystick del juego, ajusta la sensibilidad y las zonas muertas del mando, si están disponibles.
 - Usa el software T.A.R.G.E.T (Thrustmaster Advanced pRogramming Graphical EdiTor).

Información de garantía al consumidor

En todo el mundo, Guillemot Corporation S.A., cuyo domicilio legal se encuentra en Place du Granier, B.P. 97143, 35571 Chantepie, Francia (en lo sucesivo "Guillemot") garantiza al consumidor que este producto de Thrustmaster estará libre de defectos de materiales y mano de obra, durante un período de garantía que corresponde al límite de tiempo para interponer una acción legal referida a la conformidad en relación con este producto. En los países de la Unión Europea, esto corresponde a un período de dos (2) años a partir de la entrega del producto de Thrustmaster. En otros países, el período de garantía corresponde al límite de tiempo para interponer una acción legal referida a la conformidad en relación con este producto de Thrustmaster según las leyes aplicables del país en el que el consumidor estuviese domiciliado en la fecha de compra del producto de Thrustmaster (si no existiese una acción similar en el país correspondiente, entonces el período de garantía será de un (1) año a partir de la fecha de compra original del producto de Thrustmaster).

A pesar de lo anterior, las baterías recargables están cubiertas por un período de garantía de seis (6) meses a partir de la fecha de compra original.

Si el producto resultase defectuoso durante el período de garantía, hay que ponerse en contacto inmediatamente con el Soporte Técnico, que indicará el procedimiento a seguir. Si se confirma el defecto, el producto debe devolverse a su lugar de compra (o a cualquier otra ubicación indicada por el Soporte Técnico). Dentro del contexto de esta garantía, el producto defectuoso del consumidor será sustituido o restaurado su funcionamiento correcto. Si, durante el período de garantía, el producto de Thrustmaster fuese sometido a dicho reacondicionamiento, cualquier período de cómo mínimo siete (7) días durante el que el producto no se pueda usar se añadirá al período de garantía restante (este período va desde la fecha de petición de intervención del consumidor o desde la fecha en la que el producto se entrega para el reacondicionamiento, si la fecha en la que el producto se entrega para el reacondicionamiento fuese posterior a la fecha de la petición de intervención). Si la ley aplicable lo permite, toda la responsabilidad de Guillemot y sus filiales (incluso por daños resultantes) se limita a la restauración del funcionamiento correcto o la sustitución del producto de Thrustmaster. Si la ley aplicable lo permite, Guillemot renuncia a todas las garantías de comerciabilidad o adecuación para un propósito determinado.

Esta garantía no se aplicará: (1) si el producto ha sido modificado, abierto, alterado o ha sufrido daños como resultado de un uso inapropiado o abuso, negligencia, accidente, desgaste normal, o cualquier otra causa no relacionada con un defecto de materiales o fabricación (incluyendo, pero no de forma exclusiva, la combinación del producto de Thrustmaster con cualquier elemento no adecuado, incluyendo en particular fuentes de alimentación, baterías recargables, cargadores o cualquier otro elemento no suministrado por Guillemot para este producto); (2) si el producto se ha empleado para otro uso distinto del doméstico, incluyendo fines profesionales o comerciales (salones de juego, entrenamiento, competiciones, por ejemplo); (3) en caso de incumplimiento de las instrucciones proporcionadas por el Soporte Técnico; (4) a software, es decir software sujeto a una garantía específica; (5) a consumibles (elementos que se tienen que reemplazar a lo largo de la vida del producto: por ejemplo, baterías desechables o almohadillas para auriculares de audio); (6) a accesorios (por ejemplo, cables, cajas, bolsas, bolsos o muñequeras); (7) si el producto se ha vendido en una subasta pública.

Esta garantía no es transferible.

Los derechos legales del consumidor en relación con las leyes aplicables a la venta de productos de consumo de su país no se ven afectados por esta garantía.

Provisiones de garantía adicionales

Durante el período de garantía, Guillemot no proporcionará, en principio, ninguna pieza de repuesto, ya que el Soporte Técnico es el único autorizado para abrir y/o reacondicionar los productos de Thrustmaster (con la excepción de los procedimientos de reacondicionamiento que el Soporte técnico puede solicitar que lleve a cabo el consumidor, mediante instrucciones por escrito – por ejemplo, debido a la simplicidad y la falta de confidencialidad del proceso de reacondicionamiento – y suministrando al consumidor las piezas de repuesto necesarias, si hiciese falta).

Debido a sus ciclos de innovación y para proteger su know-how y secretos comerciales, Guillemot no proporcionará, en principio, ninguna pieza de repuesto ni instrucciones de reacondicionamiento para los productos de Thrustmaster cuyo período de garantía haya vencido.

En los Estados Unidos de América y en Canadá, esta garantía está limitada al mecanismo interno del producto y al alojamiento externo. En ningún caso, Guillemot ni sus filiales serán responsables ante terceros por daños resultantes o fortuitos resultado del incumplimiento de cualquier garantía expresa o implícita. En algunos estados o provincias no se permite la limitación de la duración de una garantía implícita ni la exclusión o limitación de responsabilidad por daños resultantes o fortuitos, por lo que las limitaciones o exclusiones anteriores pueden no ser aplicables. Esta garantía ofrece derechos legales específicos al consumidor, que también puede tener otros derechos que pueden variar de un estado a otro o de una provincia a otra.

Responsabilidad

Si la ley aplicable lo permite, Guillemot Corporation S.A. (en lo sucesivo "Guillemot") y sus filiales renuncian a toda responsabilidad por los daños causados por uno o más de los siguientes motivos: (1) el producto ha sido modificado, abierto o alterado; (2) incumplimiento de las instrucciones de montaje; (3) uso inapropiado o abuso, negligencia, accidente (un impacto, por ejemplo); (4) desgaste normal; (5) el producto se ha empleado para otro uso distinto del doméstico, incluyendo fines profesionales o comerciales (salones de juego, entrenamiento, competiciones, por ejemplo). Si la ley aplicable lo permite, Guillemot y sus filiales renuncian a toda responsabilidad por los daños no relacionados con defectos de materiales o fabricación en relación con el producto (incluyendo, pero no de forma exclusiva, los daños causados de forma directa o indirecta por cualquier software, o por combinar el producto de Thrustmaster con cualquier elemento no adecuado, incluyendo en particular fuentes de alimentación, baterías recargables, cargadores o cualquier otro elemento no suministrado por Guillemot para este producto).

COPYRIGHT

© 2016 Guillemot Corporation S.A. Todos los derechos reservados. Thrustmaster® es una marca registrada de Guillemot Corporation S.A. Windows® es una marca registrada de Microsoft Corporation en Estados Unidos y/o en otros países. Todas las demás marcas son propiedad de sus respectivos dueños. Ilustraciones no definitivas. El contenido, la concepción y las especificaciones son susceptibles de cambiar sin previo aviso y varían según el país. Fabricado en China.

RECOMENDACIÓN DE PROTECCIÓN AMBIENTAL



Al terminar su vida útil, este producto no debe tirarse en un contenedor de basuras estándar, sino que debe dejarse en un punto de recogida de desechos eléctricos y equipamiento electrónico para ser reciclado.

Esto viene confirmado por el símbolo que se encuentra en el producto, manual del usuario o embalaje.

Dependiendo de sus características, los materiales pueden reciclarse. Mediante el reciclaje y otras formas de procesamiento de los desechos eléctricos y el equipamiento electrónico puedes contribuir de forma significativa a ayudar a proteger el medio ambiente.

Contacta con las autoridades locales para más información sobre el punto de recogida más cercano.

Esta información debe conservarse. Los colores y motivos decorativos pueden variar.

Este producto cumple con todas las normas relativas a los niños de más de 14 años. No es recomendable para niños de menos de 14 años.

www.thrustmaster.com



THRUSTMASTER®

SOPORTE TÉCNICO

<http://support.thrustmaster.com>

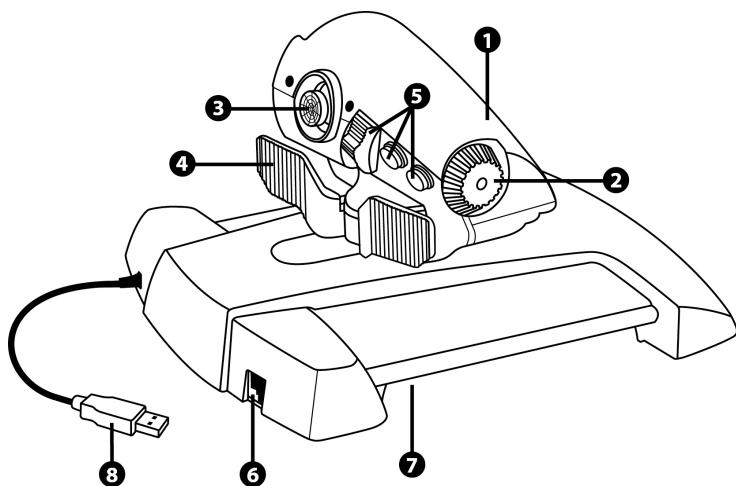


TWCS

Throttle

Manual do Utilizador

ESPECIFICAÇÕES TÉCNICAS



1. Eixo da manete de potência
2. Eixo da antena
3. Minialavanca com eixos dotados de botão de pressão
4. Eixos do interruptor oscilante

5. 14 botões de ações
6. Conector do leme de direção TFRP
7. Parafuso de regulação da fricção
8. Conector USB

INSTRUÇÕES DE CONFIGURAÇÃO PARA O PC

1. Acesse a <https://support.thrustmaster.com/>. Selecione Joysticks / TWCS Throttle e em seguida Drivers. Transfira e instale o controlador para o PC e a respetiva interface baseada no Painel de Controlo do Windows.

2. Depois de instalar o controlador para o PC, ligue o conector USB a uma das portas USB do PC.

3. Para aceder ao Painel de Controlo, selecione:

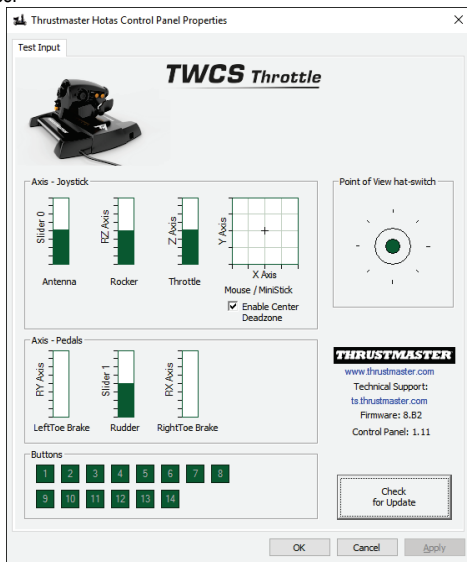
- **Iniciar / Aplicações / Thrustmaster / Control Panel** ou **Iniciar / Painel de Controlo** (no Windows® 10 / 8.1 / 8)

- **Iniciar / Todos os Programas / Thrustmaster / Control Panel** ou **Iniciar / Painel de Controlo** (no Windows® 7 / Vista)

É apresentada a caixa de diálogo **Controladores de jogos**.

O dispositivo é apresentado com o nome **TWCS Throttle** e o estado **OK**.

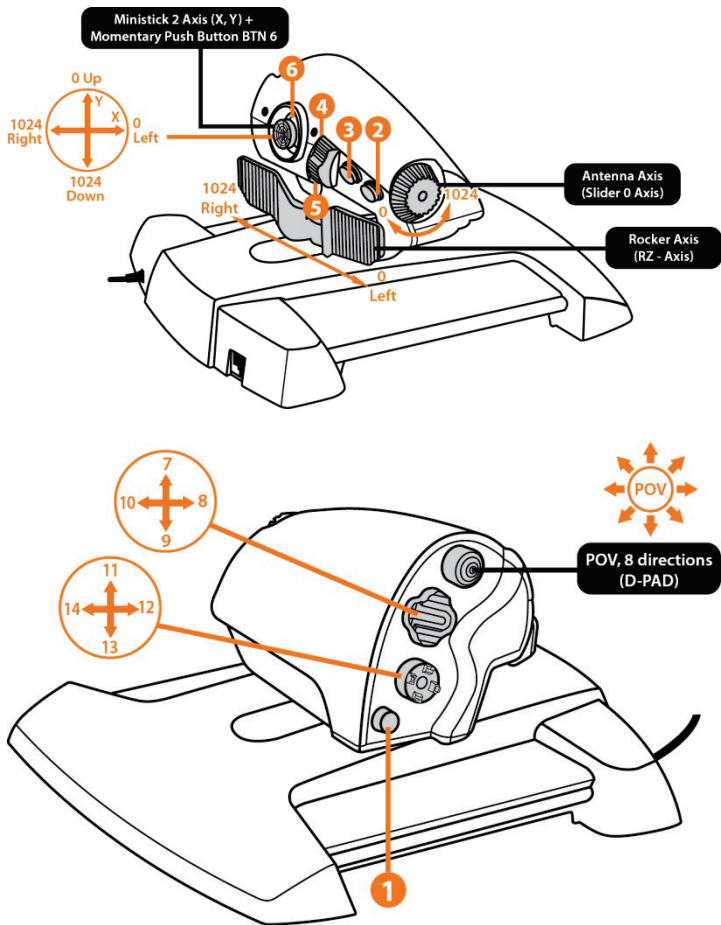
4. Na caixa de diálogo **Controladores de jogos**, selecione **Propriedades** para testar e ver todas as funções.

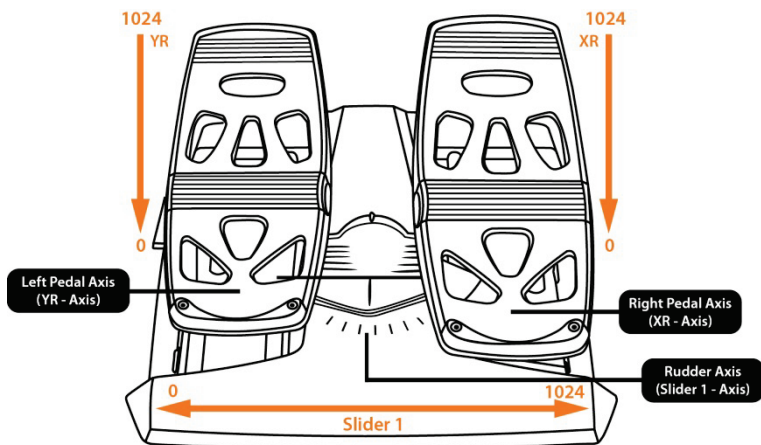
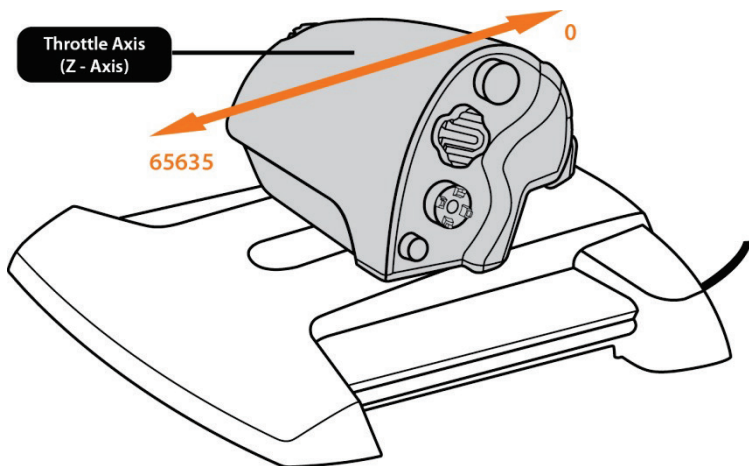


Nota: O separador Enable Center Deadzone permite-lhe ativar ou desativar a zona morta central dos eixos da manivela. A sua seleção é guardada automaticamente na memória interna do TWCS.

Está pronto para começar a jogar!

MAPEAMENTO DOS 14 BOTÕES DE AÇÕES E 8 EIXOS





INSTALAR O LEME DE DIREÇÃO TFRP NA MANETE DE POTÊNCIA TWCS

A manete de potência TWCS possui 8 eixos, incluindo 3 eixos dedicados aos pedais do leme de direção TFRP.

Os pedais do leme de direção TFRP ligam diretamente à **manete de potência TWCS**.

1. Ligue o conector macho RJ12 dos pedais do leme de direção ao conector fêmea RJ12 situado na parte posterior da manete de potência TWCS.
2. Ligue o conector USB da manete de potência TWCS a uma das portas USB do PC.

Notas importantes relativamente à calibragem automática dos eixos:

- Deixe sempre o eixo do leme de direção centrado ao ligar o conjunto de pedais TFRP à manete de potência TWCS. Não descanse os pés nos pedais.
- Os 3 eixos dos pedais do leme de direção são calibrados automaticamente após alguns movimentos e ao atingir os batentes físicos do eixo do leme de direção e dos 2 eixos do travão diferencial.

SOFTWARE DE PROGRAMAÇÃO AVANÇADA T.A.R.G.E.T (Thrustmaster Advanced pRogramming Graphical EdiTor)

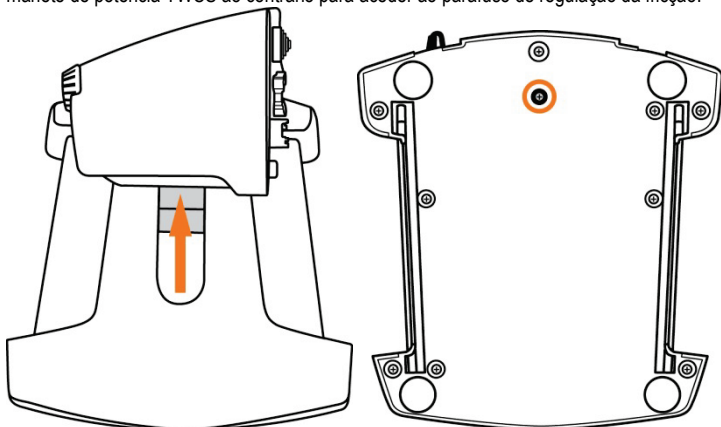
Aceda a <https://support.thrustmaster.com>. Selecione Joysticks / TWCS Throttle e em seguida Software. Transfira e instale o software de programação avançada T.A.R.G.E.T. Especificações principais do software T.A.R.G.E.T:

- Várias configurações dos eixos.
- Vários níveis de programação: Basic, Advanced e Script.
- Controlos do tipo "arrastar e largar".
- Capacidade para combinar a manete de potência TWCS com outros joysticks Thrustmaster (HOTAS Cougar, HOTAS Warthog, T.16000M, MFD Cougar Pack, igualmente compatíveis com o software T.A.R.G.E.T), permitindo que os controladores sejam reconhecidos como um único dispositivo USB.
- Acesso a perfis avançados criados pela comunidade Thrustmaster.



REGULAÇÃO DA FRICÇÃO

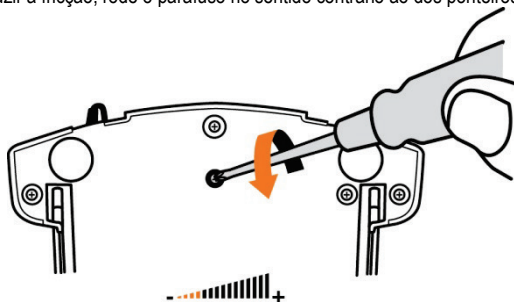
- Pressione o eixo da manete de potência para a posição máxima e em seguida vire a manete de potência TWCS ao contrário para aceder ao parafuso de regulação da fricção.



- Para aumentar a fricção, rode o parafuso no sentido dos ponteiros do relógio.



- Para reduzir a fricção, rode o parafuso no sentido contrário ao dos ponteiros do relógio.



- Não aperte demasiado o parafuso de regulagem, caso contrário poderá danificar o sistema de fricção. Pare de rodar o parafuso assim que sentir alguma resistência.
- Não desaperte completamente o parafuso de regulagem, uma vez que este poderá cair para dentro do compartimento interno da manete de potência TWCS.

RESOLUÇÃO DE PROBLEMAS E AVISO

- **A minha manete de potência TWCS não funciona corretamente ou não parece estar calibrada corretamente.**

- Desligue o PC, desligue o conector USB da manete de potência TWCS e em seguida volte a ligá-lo; ligue o computador (ou a consola de jogos) e reinicie o jogo.
- Ao ligar o conector USB da manete de potência TWCS, deixe sempre o eixo do leme de direção na posição central. Não descance os pés nos pedais.

- **Não consigo configurar a minha manete de potência TWCS.**

- No menu "Opções / Controlador / Acelerador ou Joystick" do jogo, selecione a configuração adequada ou reconfigure completamente as opções do controlador.
- Consulte o manual do utilizador do jogo ou a ajuda online para mais informações.
- Utilize o software T.A.R.G.E.T (Thrustmaster Advanced pRogramming Graphical EdiTor).

- **A minha manete de potência TWCS é demasiado sensível ou não é suficientemente sensível.**

- A manete de potência TWCS é calibrada automaticamente após alguns movimentos e ao atingir os batentes físicos dos eixos.
- No menu "Opções / Controlador / Acelerador ou Joystick, ajuste a sensibilidade e as zonas mortas do controlador, se possível.
- Utilize o software T.A.R.G.E.T (Thrustmaster Advanced pRogramming Graphical EdiTor).

Informações sobre a garantia para o consumidor

A Guillemot Corporation S.A., com sede social sita em Place du Granier, B.P. 97143, 35571 Chantepie, França (a seguir designada como "Guillemot") garante a nível mundial ao consumidor que este produto Thrustmaster está livre de defeitos em termos de materiais e fabrico durante um período de garantia que corresponde ao limite de tempo para intentar uma ação de conformidade relativamente a este produto. Nos países da União Europeia, isto corresponde a um período de dois (2) anos desde a entrega do produto Thrustmaster. Noutros países, o período de garantia corresponde ao limite de tempo para intentar uma ação de conformidade relativamente ao produto Thrustmaster de acordo com a legislação em vigor do país no qual o consumidor reside à data de compra do produto Thrustmaster (se a dita ação não existir no país correspondente, então o período de garantia será de um (1) ano a partir da data de compra original do produto Thrustmaster).

Não obstante o supracitado, as baterias recarregáveis estão cobertas por um período de garantia de seis (6) meses a partir da data de compra original.

No caso de o produto apresentar algum defeito durante o período da garantia, contacte imediatamente o Suporte Técnico, que lhe indicará o procedimento a tomar. Se esse defeito se confirmar, o produto terá de ser devolvido ao respetivo local de compra (ou qualquer outro local indicado pelo Suporte Técnico).

No âmbito da presente garantia, e por opção do Suporte Técnico, o produto defeituoso do consumidor será substituído ou reparado. Se, durante o período da garantia, o produto Thrustmaster for submetido à dita reparação, qualquer período mínimo de (7) dias durante o qual o produto estiver fora de serviço será adicionado ao período da garantia restante (este período decorre desde a data do pedido intervenção pelo consumidor ou desde a data em que o produto em questão é disponibilizado para reparação, se a data em que o produto é disponibilizado para reparação for posterior à data do pedido de intervenção). Se for permitido pela legislação em vigor, a responsabilidade total da Guillemot e das respetivas filiais (incluindo para danos indiretos) está limitada à reparação ou à substituição do produto Thrustmaster. Se for permitido pela legislação em vigor, a Guillemot rejeita todas as garantias de comercialização ou adequação a um fim específico.

A presente garantia não se aplicará: (1) se o produto tiver sido modificado, aberto, alterado ou danificado em resultado de utilização inadequada ou abusiva, negligência, acidente, desgaste normal ou qualquer outra causa relacionada com um defeito de material ou fabrico (incluindo, mas sem limitação, combinar o produto Thrustmaster com qualquer elemento inadequado, incluindo, em particular, fontes de alimentação, baterias recarregáveis, carregadores ou quaisquer outros elementos não fornecidos pela Guillemot para este produto); (2) se o produto tiver sido utilizado fora do âmbito da utilização doméstica, incluindo para fins profissionais ou comerciais (salas de jogos, treino e competições, por exemplo); (3) na eventualidade de incumprimento das instruções fornecidas pelo Suporte Técnico; (4) a software, estando o mesmo sujeito a uma garantia específica; (5) a consumíveis (elementos para substituir ao longo da vida útil do produto: baterias descartáveis, auscultadores de áudio ou auriculares de auscultadores, por exemplo); (6) a acessórios (cabos, estojos, bolsas, sacos e correias de pulso, por exemplo); (7) se o produto foi vendido num leilão público.

A presente garantia não é transmissível.

Os direitos legais do consumidor no que concerne à legislação aplicável à venda de bens de consumo no seu país não são afetados pela presente garantia.

Disposições de garantia adicionais

Durante o período da garantia, a Guillemot não fornecerá, em princípio, quaisquer peças de substituição, uma vez que o Suporte Técnico é a única parte autorizada a abrir e/ou reparar qualquer produto Thrustmaster (à exceção de quaisquer procedimentos de reparação que o Suporte Técnico possa pedir ao consumidor para realizar, através de instruções por escrito – por exemplo, devido à simplicidade e à falta de confidencialidade do processo de reparação – e fornecendo ao consumidor a(s) peça(s) de substituição necessária(s), quando aplicável).

Tendo em conta os seus ciclos de inovação, e a fim de proteger o seu *know-how* e segredos comerciais, a Guillemot não fornecerá, em princípio, qualquer notificação de reparação ou peças de substituição para produtos Thrustmaster cujo período da garantia tenha expirado.

Nos Estados Unidos da América e no Canadá, a presente garantia está limitada ao mecanismo interno e à caixa do produto. Em nenhuma circunstância serão a Guillemot ou as respetivas filiais consideradas responsáveis perante terceiros por quaisquer danos indiretos ou acidentais resultantes da violação de quaisquer garantias expressas ou implícitas. Alguns estados/províncias não permitem a limitação da duração de uma garantia implícita ou a exclusão ou limitação de responsabilidade por danos indiretos ou acidentais, pelo que as limitações ou exclusões supracitadas podem não se aplicar a si. A presente garantia concede-lhe direitos legais específicos, podendo ter também outros direitos, que variam consoante o estado ou a província.

Responsabilidade

Se for permitido ao abrigo da legislação aplicável, a Guillemot Corporation S.A. (a seguir designada "Guillemot") e as respetivas filiais rejeitam qualquer responsabilidade por danos resultantes de uma ou mais das seguintes causas: (1) o produto foi modificado, aberto ou alterado; (2) incumprimento das instruções de montagem; (3) utilização inadequada ou abusiva, negligência ou acidente (um impacto, por exemplo); (4) desgaste normal; (5) utilização do produto fora do âmbito além da utilização doméstica, incluindo para fins profissionais ou comerciais (salas de jogos, treino e competições, por exemplo). Se for permitido ao abrigo da legislação aplicável, a Guillemot e as respetivas filiais rejeitam qualquer responsabilidade por danos relacionados com um defeito de material ou fabrico relativamente ao produto (incluindo, mas sem limitação, quaisquer danos causados direta ou indiretamente por qualquer software ou por combinar o produto Thrustmaster com qualquer elemento inadequado, incluindo, em particular, fontes de alimentação, baterias recarregáveis, carregadores ou quaisquer outros elementos não fornecidos pela Guillemot para este produto).

DIREITOS DE AUTOR

© 2016 Guillemot Corporation S.A. Todos os direitos reservados. Thrustmaster® é uma marca registada da Guillemot Corporation S.A. Windows® é uma marca registada da Microsoft Corporation nos Estados Unidos e/ou noutros países. Todas as outras marcas comerciais são pertencem aos respectivos proprietários. As ilustrações não são vinculativas. Os conteúdos, desenhos e especificações estão sujeitos a alteração sem aviso prévio e podem variar de país para país. Fabricado na China.

RECOMENDAÇÕES DE PROTECÇÃO AMBIENTAL



Quando este produto chegar ao fim da sua vida útil, não o elimine juntamente com os resíduos domésticos normais; em vez disso, deixe-o num ponto de recolha de resíduos de equipamento eléctrico e electrónico (REEE) para posterior reciclagem.

O símbolo presente no produto, no manual de utilizador ou na caixa confirma-o.

Os materiais podem ser reciclados, dependendo das suas características. Através da reciclagem e de outras formas de processamento de resíduos de equipamento eléctrico e electrónico, pode dar um importante contributo no sentido de ajudar a proteger o ambiente.

Contacte as autoridades locais para saber onde fica o ponto de recolha mais perto da sua área de residência.

Informações a reter. As cores e as decorações podem variar.

Este produto está em conformidade com as normas relativas às crianças com mais de 14 anos de idade.

Não é recomendado às crianças com menos de 14 anos de idade.

www.thrustmaster.com



THRUSTMASTER®

SUPOORTE TÉCNICO

<http://support.thrustmaster.com>

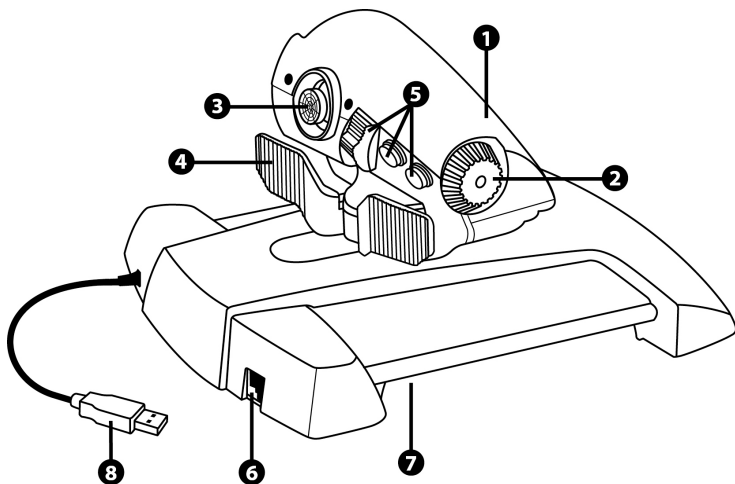


TWCS

Throttle

Инструкция по эксплуатации

ТЕХНИЧЕСКИЕ ХАРАКТЕРИСТИКИ



1. Ось рычага управления
2. Ось антенны
3. Оси мини-джойстика с нажимной кнопкой
4. Оси клавишного переключателя

5. 14 функциональных кнопок
6. Разъем для руля направления TFRP
7. Винт регулировки уровня трения
8. Разъем USB

ИНСТРУКЦИИ ПО НАСТРОЙКЕ ДЛЯ ПК

1. Откройте сайт <https://support.thrustmaster.com/>. Выберите «Джойстики / TWCS Throttle», затем выберите «Драйверы». Загрузите и установите драйвер для ПК и специальный интерфейс для него на базе Панели управления Windows.

2. - После установки ПК-драйвера подключите USB-кабель к одному из USB-портов ПК.

3. Чтобы открыть Панель управления, выберите:

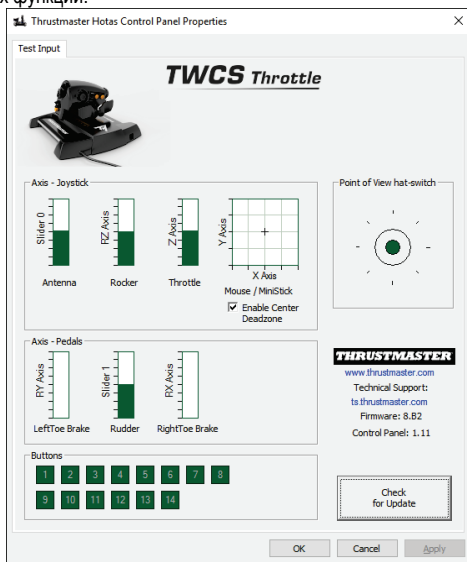
- «Пуск / Приложения / Thrustmaster / Панель управления» или «Пуск / Панель управления» (в Windows® 10 / 8.1 / 8);

- «Пуск / Все приложения / Thrustmaster / Панель управления» или «Пуск / Панель управления» (in Windows® 7 / Vista)

Отображается диалоговое окно **Игровые устройства**.

Устройство отображается под именем **TWCS Throttle** и имеет статус **OK**.

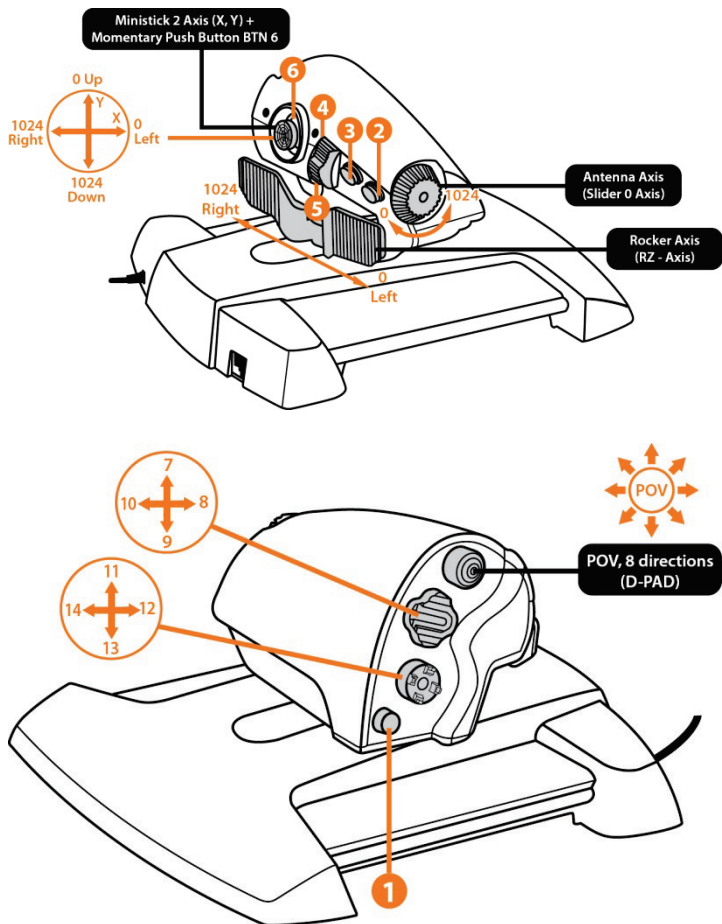
4. В диалоговом окне **Игровые устройства** выберите **Свойства** для тестирования и просмотра всех функций.

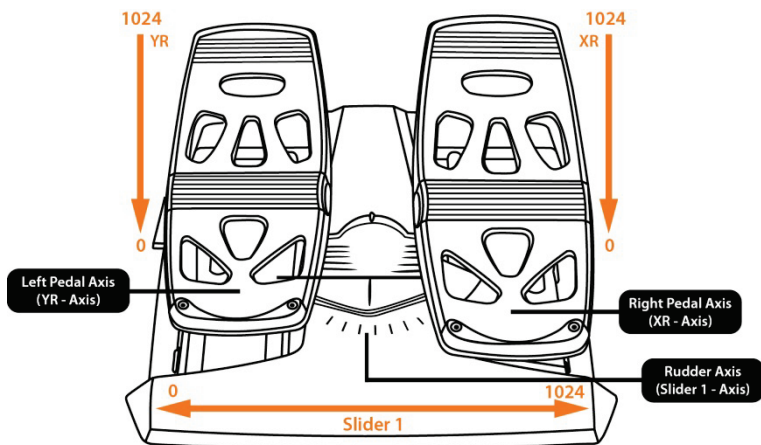
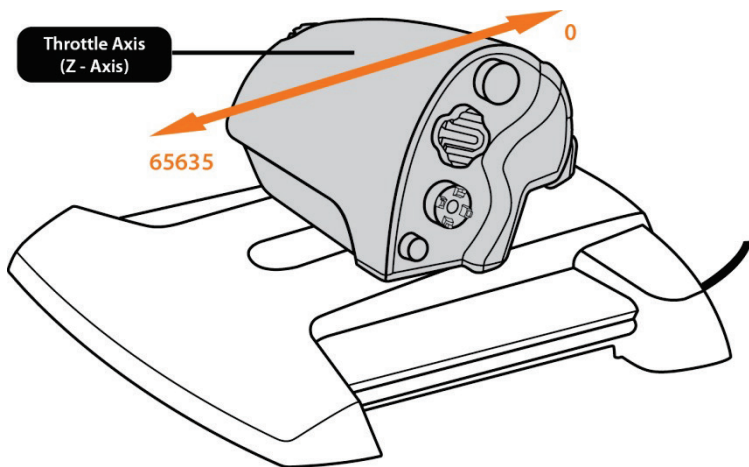


Примечание. На вкладке Enable Center Deadzone можно включать и выключать центральную «мертвую» зону осей мини-джойстика. Сделанный выбор автоматически сохраняется во встроенной памяти устройства TWCS.

Теперь все готово для игры!

ОПРЕДЕЛЕНИЕ ФУНКЦИЙ 14 КНОПОК И 8 ОСЕЙ





УСТАНОВКА РУЛЯ НАПРАВЛЕНИЯ TFRP НА РЫЧАГЕ НАПРАВЛЕНИЯ TWCS

Рычаг управления TWCS имеет 8 осей, в том числе 3 оси, назначенных педальному рулю направления TFRP.

Педали руля направления TFRP подключаются непосредственно к **рычагу управления TWCS**.

1. Подключите штекер RJ12 кабеля педального руля направления TFRP к гнезду RJ12 на задней стороне рычага управления TWCS.
2. Подключите USB-кабель рычага управления TWCS к одному из USB-портов ПК.

Важные замечания относительно автоматической калибровки оси

- При подключении педального блока TFRP к рычагу управления TWCS соблюдайте центральное положение оси руля направления. Не держите ноги на педалях.
- Автокалибровка 3 осей педального руля направления выполняется после нескольких движений и после достижения физических стопоров для оси руля направления и осей двух дифференциальных тормозов.

ПО ПРОГРАММИРОВАНИЯ T.A.R.G.E.T

(Thrustmaster Advanced pRogramming Graphical EdiTor)

Откройте: <https://support.thrustmaster.com>. Выберите «Джойстики / TWCS Throttle», затем выберите «ПО». Загрузите и установите продвинутое ПО программирования T.A.R.G.E.T.

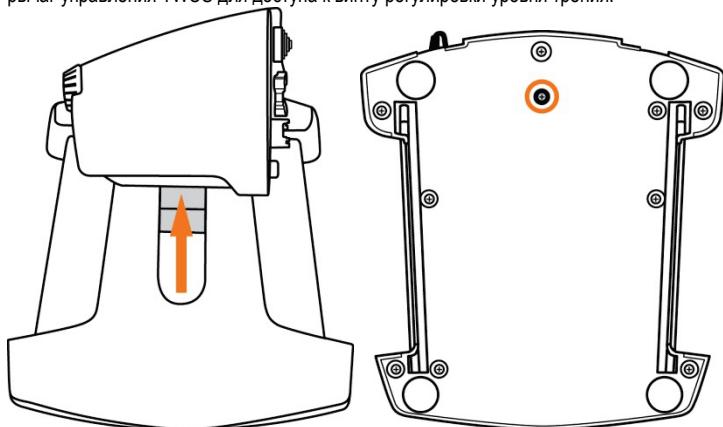
Основные характеристики ПО T.A.R.G.E.T:

- разнообразные конфигурации осей;
- несколько уровней программирования: Basic, Advanced и Script;
- работа по принципу перетаскивания «Drag and Drop»;
- возможность использовать рычаг управления TWCS в сочетании с другими джойстиками Thrustmaster (Hotas Cougar, Hotas Warthog, T.16000M, MFD Cougar Pack также совместимы с T.A.R.G.E.T), так что они будут распознаваться как единое USB-устройство;
- доступ к расширенным профилям, созданным членами сообщества Thrustmaster.

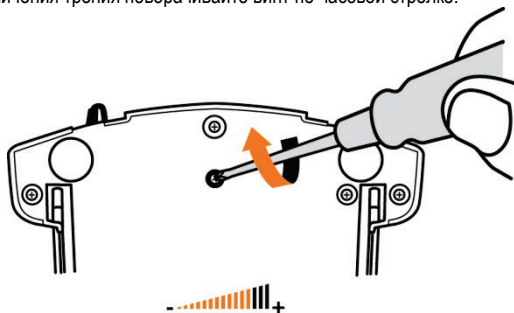


РЕГУЛИРОВКА УРОВНЯ ТРЕНИЯ

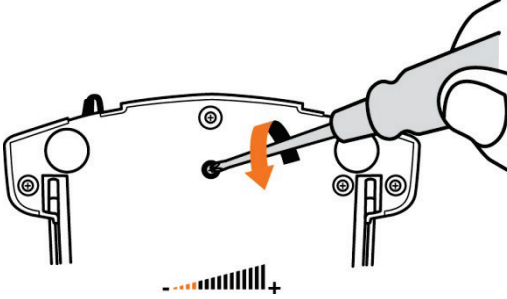
- Переведите ось рычага управления в максимальное положение, затем переверните рычаг управления TWCS для доступа к винту регулировки уровня трения.



- Для увеличения трения поворачивайте винт по часовой стрелке.



- Для уменьшения трения поворачивайте винт против часовой стрелки.



- Не допускайте чрезмерной затяжки винта регулировки — это может привести к повреждению фрикционной системы. Прекратите затягивание, как только почувствуете малейшее сопротивление.

Не допускайте чрезмерного ослабления винта регулировки — это может привести к выпадению винта во внутренний кожух рычага управления TWCS.

УСТРАНЕНИЕ НЕИСПРАВНОСТЕЙ И ПРЕДУПРЕЖДЕНИЯ

- **Рычаг управления TWCS не работает должным образом или кажется неверно откалиброванным.**

- Выключите ПК, отсоедините USB-кабель рычага управления TWCS; затем снова подсоедините его, включите компьютер (или игровую консоль) и перезапустите игру.

- При подключении USB-кабеля рычага управления TWCS обязательно держите ось руля направления в центральном положении. Не держите ноги на педалях.

- **Не удается настроить рычаг управления TWCS.**

- В игре, в разделе «Параметры/Контроллер/Игровой пульт» или «Джойстик», выберите оптимальную конфигурацию или полностью перенастройте параметры контроллера.

- Для получения дополнительных сведений обратитесь к инструкции по эксплуатации игры или к Интернет-справке.

- Воспользуйтесь расширенным ПО для программирования T.A.R.G.E.T (Thrustmaster Advanced pRogramming Graphical EdiTor).

- **Слишком высокая или недостаточная чувствительность рычага управления TWCS.**

- Автокалибровка осей рычага управления TWCS выполняется после нескольких движений и после достижения физических стопоров для оси.

- В игре, в разделе «Параметры/Контроллер/Игровой пульт» или «Джойстик», по возможности отрегулируйте чувствительность и «мертвые» зоны контроллера.

- Воспользуйтесь расширенным ПО для программирования T.A.R.G.E.T (Thrustmaster Advanced pRogramming Graphical EdiTor).

Сведения о потребительской гарантии

Корпорация Guillemot Corporation S.A., зарегистрированная по адресу Place du Granier, B.P. 97143, 35571 Chantepie, Франция, (далее — «Guillemot») гарантирует своим клиентам во всем мире, что в данном изделии Thrustmaster не будет выявлено никаких дефектов материалов и производства в течение гарантийного периода, который равен сроку предъявления претензии по соответствию для данного изделия. В странах Европейского Союза этот срок соответствует двум (2) годам с момента поставки изделия Thrustmaster. В других странах гарантийный период равен сроку предъявления претензии по соответствию для изделия Thrustmaster, определяемому соответствующим законодательством страны, в которой проживал потребитель на момент приобретения изделия Thrustmaster (если подобные претензии не действуют в соответствующей стране, гарантийный период равняется одному (1) году с первоначальной даты приобретения изделия Thrustmaster).

Независимо от вышесказанного, гарантия на аккумуляторы равняется шести (6) месяцам с первоначальной даты приобретения.

В случае обнаружения дефектов изделия во время гарантийного периода немедленно обратитесь в службу технической поддержки, сотрудники которой определяют дальнейшую процедуру. Если дефект будет подтвержден, изделие следует вернуть по месту приобретения (или в любое другое место, указанное службой технической поддержки).

В рамках действия гарантии дефектное изделие будет, по усмотрению службы технической поддержки, заменено или возвращено в рабочее состояние. Если в течение гарантийного срока изделие Thrustmaster будет подвергнуто такому восстановлению, к оставшемуся гарантийному сроку прибавляется период времени, но не менее семи (7) дней, во время которого изделие находилось вне употребления (началом этого периода считается дата запроса покупателя о вмешательстве или дата предоставления дефектного изделия для восстановления, если изделие было предоставлено для восстановления позднее, чем был сделан запрос о вмешательстве). В мере, разрешенной применимым законодательством, полная ответственность компании Guillemot и ее дочерних компаний (в том числе косвенный ущерб) ограничивается восстановлением рабочего состояния или заменой изделия Thrustmaster. В мере, разрешенной применимым законодательством, компания Guillemot отказывается от любых гарантий коммерческой пригодности или пригодности для определенной цели.

Настоящая гарантия не распространяется: (1) на ситуации, когда изделие было видоизменено, открыто, модифицировано или получило повреждения в результате недопустимого или неправильного использования, небрежности или несчастного случая, естественного износа или любой другой причины, не связанной с дефектом материалов или производства (включая, помимо прочего, использование изделия Thrustmaster совместно с любыми неподходящими элементами, в частности — с блоками питания, аккумуляторами, зарядными устройствами и любыми другими элементами, не входящими в комплектацию Guillemot для данного изделия); (2) на случаи использования продукта в любых целях, кроме бытовых, в том числе на случаи профессионального или коммерческого применения (например, в игровых залах, для проведения обучения и соревнований); (3) на ситуации, когда указания службы технической поддержки не были выполнены; (4) на ПО, так как на такое ПО распространяется отдельная гарантия; (5) на расходные материалы (элементы, предназначенные для замены в течение срока службы изделия: например, батарейки и ушные подушки для гарнитур или наушников); (6) на аксессуары (например, кабели, чехлы, сумки, футляры, наручные ремешки); (7) на случаи продажи изделия с открытого аукциона.

Данная гарантия не подлежит передаче.

Настоящая гарантия не ущемляет прав потребителя, предоставляемых ему применимыми законами в отношении продажи потребительских товаров в соответствующей стране.

Дополнительные условия гарантии

В течение гарантийного срока компания Guillemot, в общем и целом, не предоставляет никаких запасных частей, так как вскрытие и/или модификацию любых изделий Thrustmaster вправе осуществлять только служба технической поддержки (за исключением каких-либо процедур по модификации, которые служба технической поддержки может предложить выполнить клиенту путем письменных инструкций и предоставления, при необходимости, требуемых запасных частей: например, в связи с отсутствием статуса сложности или конфиденциальности у такой восстановительной процедуры).

С учетом периода освоения новых изделий и в целях защиты своих ноу-хау и коммерческих тайн компания Guillemot, в общем и целом, не предоставляет каких-либо уведомлений о восстановлении или запасных частях для любых изделий Thrustmaster с истекшим гарантийным сроком.

В США и Канаде настоящая гарантия ограничивается внутренним механизмом и оболочкой

устройства. Корпорация Guillemot и ее дочерние предприятия ни при каких условиях не несут ответственности перед третьими лицами за косвенные или случайные убытки, связанные с нарушением каких-либо явных или подразумеваемых гарантий. В некоторых штатах/провинциях не допускается ограничение срока действия подразумеваемой гарантии или ограничение ответственности за косвенные/случайные убытки, поэтому в вашем случае вышеуказанные ограничения или исключения могут быть неприменимы. Настоящая гарантия предоставляет Вам определенные юридические права. У Вас могут также быть другие права, определенные законодательством штата или провинции.

Ответственность

В мере, разрешенной применимым законодательством, компания Guillemot Corporation S.A. (далее — «Guillemot») и ее дочерние предприятия отказываются от любой ответственности за любой ущерб, вызванный одним или несколькими из следующих факторов: (1) видоизменение, вскрытие или модификация изделия; (2) несоблюдение инструкций по сборке; (3) недопустимое или неправильное использование, небрежность, несчастный случай (например, физическое воздействие); (4) естественный износ; (5) использование продукта в любых целях, кроме бытовых, в том числе профессиональное или коммерческое применение (например, в игровых залах, для проведение обучения и соревнований). В мере, разрешенной применимым законодательством, компания Guillemot и ее дочерние предприятия отказываются от любой ответственности за любой ущерб, не связанный с дефектами материалов или изготовления, в отношении данного изделия (включая, помимо прочего, любой ущерб, вызванный прямо или опосредованно любым программным обеспечением или использованием изделия Thrustmaster с любыми неподходящими элементами, в частности — блоками питания, аккумуляторами, зарядными устройствами и любыми другими элементами, не входящими в комплектацию Guillemot для данного изделия).

АВТОРСКОЕ ПРАВО

© 2016 Guillemot Corporation S.A. Все права защищены. Thrustmaster® является зарегистрированной торговой маркой Guillemot Corporation. Windows® является зарегистрированной торговой маркой Microsoft Corporation в Соединенных Штатах Америки и/или других странах. Все прочие торговые марки являются собственностью соответствующих владельцев. Иллюстрации могут не соответствовать внешнему виду/функциям конкретного изделия. Содержание руководства, конструкция и технические характеристики изделия изменяются без предварительного уведомления и зависят от страны приобретения.

РЕКОМЕНДАЦИИ ПО ЗАЩИТЕ ОКРУЖАЮЩЕЙ СРЕДЫ



После окончания срока службы данное изделие не следует утилизировать вместе с бытовым мусором, но в пункте сбора отходов электрического и электронного оборудования.

Данное указание подтверждается соответствующим символом, нанесенным на изделие, руководство пользователя или упаковку.

В зависимости от свойств, материалы могут передаваться в повторную переработку. Повторная переработка отходов электрического и электронного оборудования может внести значительный вклад в сохранение окружающей среды.

Обратитесь в местные органы власти за информацией о ближайшем пункте приема таких отходов.

При пользовании изделием учитывайте следующее. Цвета и украшения могут различаться. Настоящий продукт соответствует всем стандартам в отношении детей в возрасте 14 лет и старше. Использование данного продукта детьми младше 14 лет недопустимо.

www.thrustmaster.com



THRUSTMASTER®

ТЕХНИЧЕСКОЙ ПОДДЕРЖКИ

<http://support.thrustmaster.com>

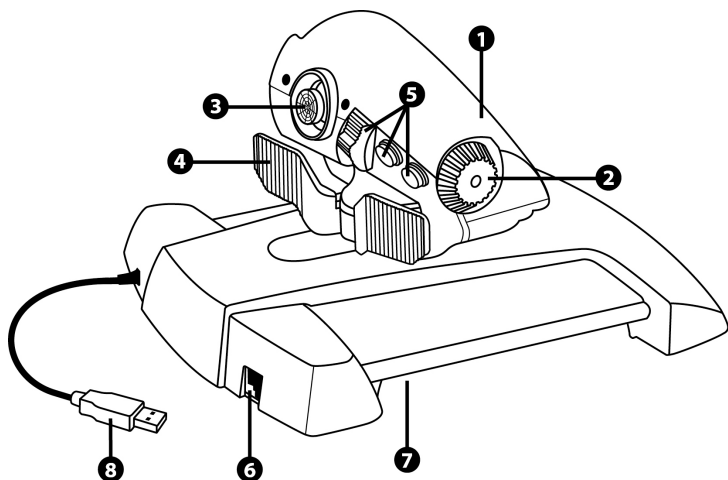


TWCS

Throttle

Εγχειρίδιο χρήσης

ΤΕΧΝΙΚΑ ΧΑΡΑΚΤΗΡΙΣΤΙΚΑ



1. Άξονας μοχλού του γκαζιού
2. Άξονας κεραίας
3. Μίνι stick με άξονες με πιεζόμενα κουμπιά
4. Άξονες με διακόπτη rocker

5. 14 κουμπιά δράσης
6. Υποδοχή πηδαλιού TFRP
7. Βίδα ρύθμισης τριβής
8. Υποδοχή USB

ENGLISH

FRANÇAIS

DEUTSCH

NEDERLANDS

ITALIANO

ESPAÑOL

PORTUGUÊS

РУССКИЙ

ΕΛΛΗΝΙΚΑ

TÜRKÇE

POLSKI

ΟΔΗΓΙΕΣ ΕΓΚΑΤΑΣΤΑΣΗΣ ΓΙΑ ΥΠΟΛΟΓΙΣΤΗ

1. Μεταβείτε στον ιστότοπο <https://support.thrustmaster.com/>. Επιλέξτε Joystick / TWCS Throttle, κι έπειτα επιλέξτε Προγράμματα οδήγησης. Κατεβάστε και εγκαταστήστε το πρόγραμμα οδήγησης για υπολογιστές (PC) και το προσαρμοζόμενο περιβάλλον εργασίας με βάση τον πίνακα ελέγχου των Windows.

2. Αφού εγκαταστήσετε το πρόγραμμα οδήγησης για υπολογιστές, συνδέστε την υποδοχή USB σε μία από τις θύρες USB του υπολογιστή σας.

3. Για πρόσβαση στον πίνακα ελέγχου, επιλέξτε:

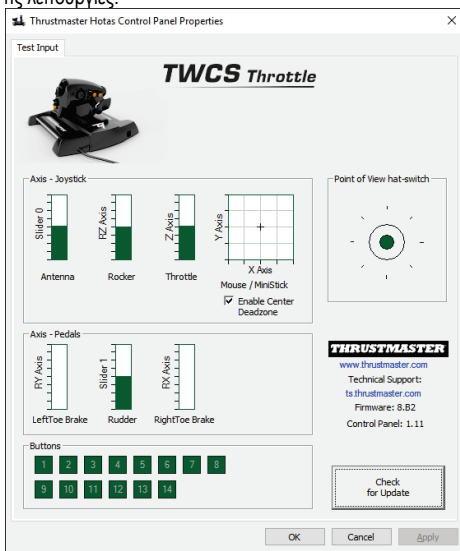
- Έναρξη / Εφαρμογές / Thrustmaster / Πίνακας ελέγχου ή Έναρξη / Πίνακας ελέγχου (σε Windows® 10 / 8.1 / 8)

- Έναρξη / Όλα τα προγράμματα / Thrustmaster / Πίνακας ελέγχου ή Έναρξη / Πίνακας ελέγχου (σε Windows® 7 / Vista)

Εμφανίζεται το πλαίσιο διαλόγου **Ελεγκτές παιχνιδιού**.

Η συσκευή εμφανίζεται με το όνομα **TWCS Throttle**, με την κατάσταση **OK**.

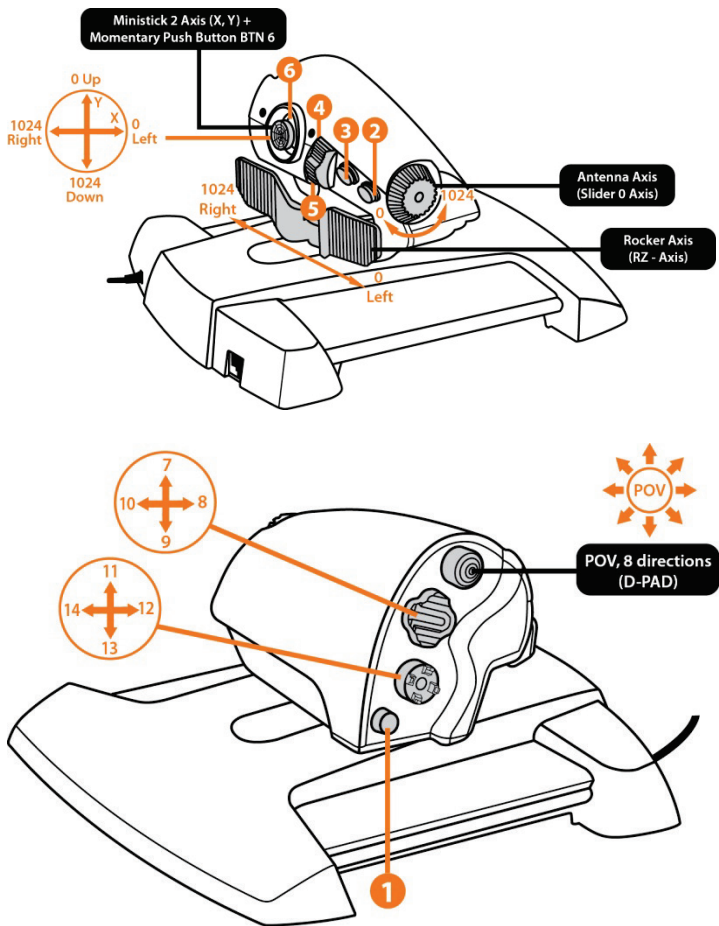
4. Στο πλαίσιο διαλόγου **Ελεγκτές παιχνιδιών**, επιλέξτε **Ιδιότητες** για να δοκιμάσετε και να προβάλετε όλες τις λειτουργίες.

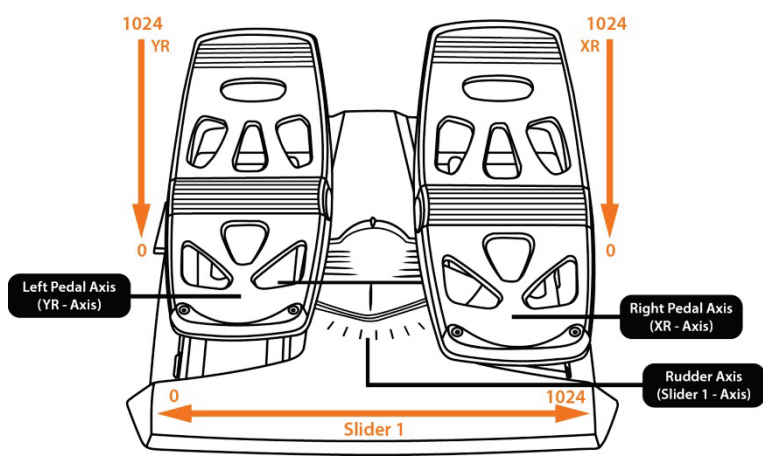
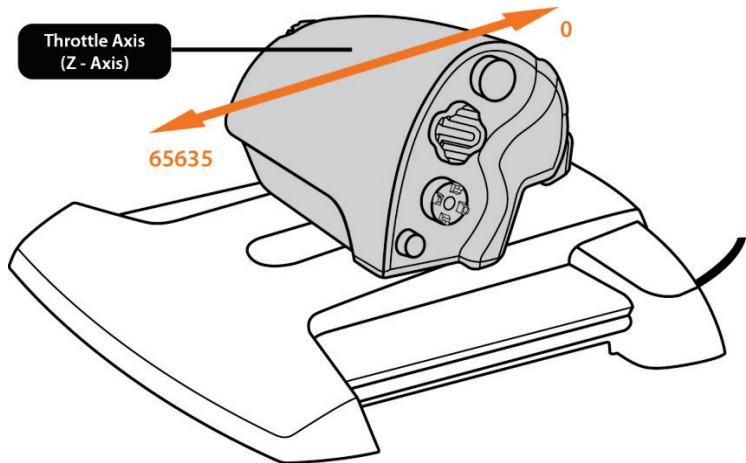


Σημείωση: Στην καρτέλα Enable Center Deadzone μπορείτε να ενεργοποιήσετε ή να απενεργοποιήσετε την κεντρική ζώνη νεκράς των αξόνων του μίνι stick. Η επιλογή σας αποθηκεύεται αυτόματα στην εσωτερική μνήμη του πηδαλιού TWCS.

Τώρα είστε έτοιμοι για παιχνίδι!

ΑΝΤΙΣΤΟΙΧΙΣΗ 14 ΚΟΥΜΠΙΩΝ ΚΑΙ 8 ΑΞΟΝΩΝ





ΕΓΚΑΤΑΣΤΑΣΗ ΤΟΥ ΠΗΔΑΛΙΟΥ TFRP ΣΤΟΝ ΜΟΧΛΟ ΓΚΑΖΙΟΥ TWCS

Ο μοχλός του γκαζιού TWCS διαθέτει 8 άξονες, συν 3 άξονες ειδικά για τα πεντάλ του πηδαλίου TFRP.

Τα πεντάλ του πηδαλίου TFRP συνδέονται απευθείας στον **Μοχλό του γκαζιού TWCS**.

1. Συνδέστε το αρσενικό βύσμα RJ12 των πεντάλ του πηδαλίου που βρίσκεται στο πίσω μέρος του μοχλού του γκαζιού TWCS.
2. Συνδέστε την υποδοχή USB του μοχλού του γκαζιού TWCS σε μια από τις θύρες USB του υπολογιστή σας.

Σημαντικές σημειώσεις για αυτόματη βαθμονόμηση των αξόνων:

- Πάντα να αφήνετε τον άξονα του πηδαλίου στη μεσαία θέση όταν συνδέετε το σετ των πεντάλ TFRP στον μοχλό του γκαζιού TWCS. Μην αφήνετε τα πόδια σας επάνω στα πεντάλ.

- Οι 3 άξονες των πεντάλ του πηδαλίου βαθμονομούνται αυτόματα μετά από μερικές κινήσεις και όταν ο άξονας του πηδαλίου και οι 2 άξονες των φρένων διαφορικής λειτουργίας φτάσουν στον φυσικό τερματισμό της διαδρομής τους.

ΠΡΟΗΓΜΕΝΟ ΛΟΓΙΣΜΙΚΟ ΠΡΟΓΡΑΜΜΑΤΙΣΜΟΥ T.A.R.G.E.T (Thrustmaster Advanced pRogramming Graphical EdiTor)

Μεταβείτε στον ιστότοπο <https://support.thrustmaster.com>. Επιλέξτε Joystick / TWCS Throttle, κι έπειτα επιλέξτε Λογισμικό. Κατεβάστε και εγκαταστήστε το προηγμένο λογισμικό προγραμματισμού T.A.R.G.E.T.

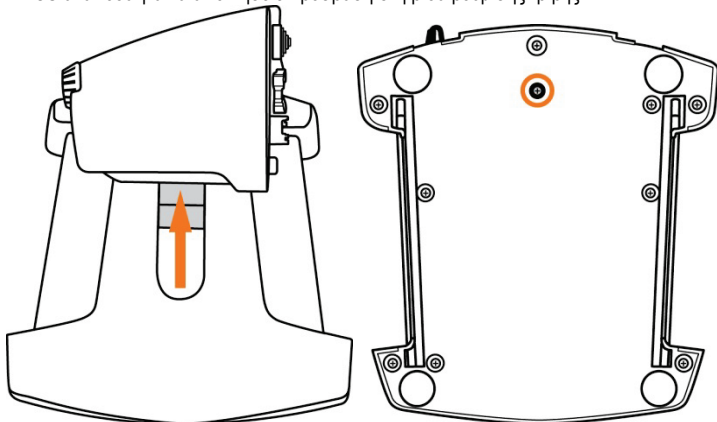
Κύρια χαρακτηριστικά T.A.R.G.E.T:

- Πολλές διαμορφώσεις αξόνων.
- Πολλά επίπεδα προγραμματισμού: Βασικό, Εξελιγμένο και Script.
- Συστήματα χειρισμού «Μεταφορά και εναπόθεση».
- Ικανότητα συνδυασμού του μοχλού του γκαζιού TWCS με άλλα joystick της Thrustmaster (HOTAS Cougar, HOTAS Warthog, T.16000M, MFD Cougar Pack, επίσης συμβατά με το T.A.R.G.E.T), ώστε οι ελεγκτές να αναγνωρίζονται ως απλή συσκευή USB.
- Πρόσβαση σε προφίλ για προχωρημένους δημιουργημένα από την κοινότητα της Thrustmaster.

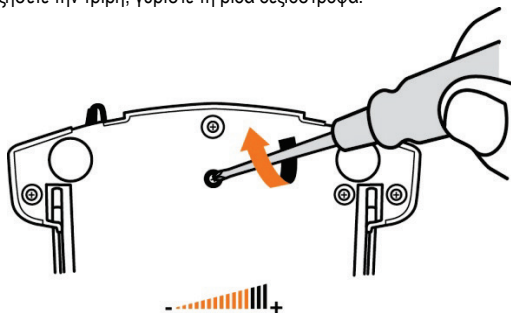


ΡΥΘΜΙΣΗ ΤΡΙΒΗΣ

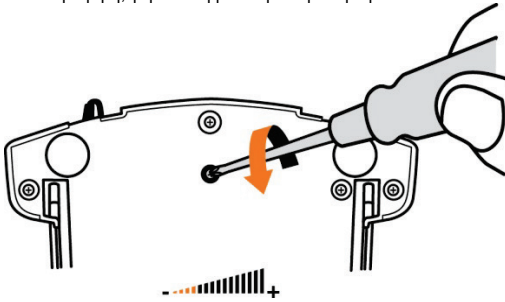
- Πιέστε τον άξονα του μοχλού του γκαζιού στη μέγιστη θέση, μετά γυρίστε τον μοχλό TWCS ανάποδα για να αποκτήσετε πρόσβαση στη βίδα ρύθμισης τριβής.



- Για να αυξήσετε την τριβή, γυρίστε τη βίδα δεξιόστροφα.



- Για να μειώσετε την τριβή, γυρίστε τη βίδα αριστερόστροφα.



- Μην σφίγγετε υπερβολικά τη βίδα ρύθμισης, καθώς αυτό θα μπορούσε να προκαλέσει βλάβη στο σύστημα τριβής. Σταματήστε να περιστρέφετε τη βίδα αμέσως μόλις νιώσετε κάποια αντίσταση.
- Μην χαλαρώνετε εντελώς τη βίδα ρύθμισης, καθώς μπορεί να πέσει μέσα στο εσωτερικό κέλυφος του μοχλού του γκαζιού TWCS.

ΑΝΤΙΜΕΤΩΠΙΣΗ ΠΡΟΒΛΗΜΑΤΩΝ ΚΑΙ ΠΡΟΕΙΔΟΠΟΙΗΣΕΙΣ

- **Ο μοχλός μου TWCS δεν λειτουργεί σωστά ή φαίνεται να μην έχει βαθμονομηθεί σωστά.**

- Απενεργοποιήστε τον υπολογιστή σας, αποσυνδέστε την υποδοχή USB του μοχλού του γκαζιού TWCS, κι έπειτα συνδέστε την ξανά, ενεργοποιήστε τον υπολογιστή σας (ή την κονσόλα σας) και επανεκκινήστε το παιχνίδι.
- Όταν συνδέετε την υποδοχή USB του μοχλού του γκαζιού TWCS, πάντα να αφήνετε τον άξονα του πηδαλίου στην κεντρική θέση. Μην αφήνετε τα πόδια σας επάνω στα πεντάλ.

- **Δεν μπορώ να διαμορφώσω τον μοχλό γκαζιού TWCS που διαθέτω.**

- Στο μενού του παιχνιδιού Επιλογές / Ελεγκτής / Μοχλός γκαζιού ή Joystick, επιλέξτε την κατάλληλη διαμόρφωση ή διαμορφώστε από την αρχή τις επιλογές του ελεγκτή.
- Για περισσότερες πληροφορίες, δείτε στο εγχειρίδιο χρήσης του παιχνιδιού σας ή στην online βοήθεια.
- Χρησιμοποιήστε το λογισμικό T.A.R.G.E.T (Thrustmaster Advanced pRogramming Graphical EdiTor).

- **Ο μοχλός γκαζιού TWCS που διαθέτω είναι εξαιρετικά ευαίσθητος ή δεν είναι αρκετά ευαίσθητος.**

- Οι άξονες του μοχλού του γκαζιού TWCS βαθμονομούνται αυτόματα μετά από μερικές κινήσεις και όταν οι άξονες φτάσουν στον φυσικό τερματισμό της διαδρομής τους.
- Στο μενού του παιχνιδιού Επιλογές / Ελεγκτής / Μοχλός γκαζιού ή Joystick, ρυθμίστε την ευαισθησία και τις νεκρές ζώνες του ελεγκτή σας, αν είναι εφικτό.
- Χρησιμοποιήστε το λογισμικό T.A.R.G.E.T (Thrustmaster Advanced pRogramming Graphical EdiTor).

Πληροφορίες εγγύησης καταναλωτή

Παγκοσμίως, η Guillemot Corporation S.A. της οποίας η εγγεγραμμένη έδρα είναι η οδός Place du Granier, B.P. 97143, 35571 Chanteprie, France (Γαλλία) (εφεξής "Guillemot") εγγυάται στον καταναλωτή ότι το προϊόν της Thrustmaster δεν παρουσιάζει ελάττωμα στο υλικό ούτε κατασκευαστικές ατέλειες για το χρονικό διάστημα της εγγύησης, το οποίο αντιστοιχεί στο χρονικό όριο για άσκηση αγωγής για συμμόρφωση αναφορικά με αυτό το προϊόν. Στις χώρες της Ε.Ε., αυτό αντιστοιχεί σε διάστημα δύο (2) ετών από την παράδοση του προϊόντος της Thrustmaster. Σε άλλες χώρες, η περίοδος εγγύησης αντιστοιχεί στο χρονικό όριο για άσκηση αγωγής για συμμόρφωση αναφορικά με προϊόν της Thrustmaster σύμφωνα με την ισχύουσα νομοθεσία της χώρας στην οποία ο καταναλωτής διέμενε κατά την ημερομηνία αγοράς του προϊόντος της Thrustmaster (σε περίπτωση που δεν υπάρχει τέτοια ενέργεια στην αντίστοιχη χώρα, τότε η εγγύηση θα ισχύει για ένα (1) έτος από την αρχική ημερομηνία αγοράς του προϊόντος της Thrustmaster).

Κατά παρέκκλιση των παραπάνω, οι επαναφορτιζόμενες μπαταρίες καλύπτονται από περίοδο εγγύησης έξι (6) μηνών από ημερομηνία της αρχικής αγοράς.

Σε περίπτωση που το προϊόν σας φαίνεται να είναι ελαττωματικό κατά την περίοδο της εγγύησης, επικοινωνήστε αμέσως με την Τεχνική Υποστήριξη, η οποία θα υποδείξει την διαδικασία που θα ακολουθήσετε. Αν το ελάττωμα επιβεβαιωθεί, το προϊόν πρέπει να επιστραφεί στο σημείο αγοράς του (ή σε οποιοδήποτε άλλο σημείο υποδεικνύει η Τεχνική Υποστήριξη).

Στα πλαίσια της εγγύησης, το ελαττωματικό προϊόν του καταναλωτή, με επιλογή της Τεχνικής Υποστήριξης, είτε θα αντικατασταθεί είτε θα επιστραφεί και θα είναι σε κατάσταση λειτουργίας. Αν κατά τη διάρκεια της περιόδου εγγύησης το προϊόν της Thrustmaster υπόκειται σε τέτοιου είδους μετασκευή, οποιαδήποτε περίοδος τουλάχιστον επτά (7) ημερών κατά την οποία το προϊόν έχει τεθεί εκτός χρήσης θα προστεθεί στην εναπομένουσα περίοδο εγγύησης (αυτή η περίοδος ισχύει από την ημερομηνία του αιτήματος του καταναλωτή για παρέμβαση ή από την ημερομηνία κατά την οποία το εν λόγω προϊόν διατίθεται για μετασκευή, αν η ημερομηνία κατά την οποία το προϊόν διατίθεται για μετασκευή είναι επακόλουθη της ημερομηνίας του αιτήματος για παρέμβαση). Αν επιτρέπεται από την ισχύουσα νομοθεσία, η πλήρης ευθύνη της Guillemot και των θυγατρικών της (περιλαμβάνονται οι επακόλουθες ζημιές) περιορίζεται στην επιστροφή σε κατάσταση λειτουργίας ή την αντικατάσταση του προϊόντος της Thrustmaster. Αν επιτρέπεται από την ισχύουσα νομοθεσία, η Guillemot αποποιείται κάθε εγγύηση εμπορευσιμότητας ή καταλληλότητας για τον συγκεκριμένο σκοπό.

Η παρούσα εγγύηση δεν ισχύει: (1) αν το προϊόν έχει τροποποιηθεί, ανοιχτεί, μεταποιηθεί ή υποστεί βλάβη ως αποτέλεσμα ακατάλληλης ή κακής χρήσης, αμέλειας, ατυχήματος, φυσιολογικής φθοράς ή οποιασδήποτε άλλης αιτίας που δεν σχετίζεται με ελάττωμα στο υλικό ή κατασκευαστικό ελάττωμα (συμπεριλαμβανομένων, ενδεικτικά, συνδυάζοντας το προϊόν της Thrustmaster με οποιοδήποτε ακατάλληλο στοιχείο, συμπεριλαμβανομένων συγκεκριμένων παροχών ρεύματος, επαναφορτιζόμενων μπαταριών, φορτιστών ή άλλων στοιχείων που δεν παρέχονται από τη Guillemot για αυτό το προϊόν), (2) αν το προϊόν έχει χρησιμοποιηθεί για οποιαδήποτε άλλη χρήση πέρα από την οικιακή χρήση, συμπεριλαμβανομένης χρήσης για επαγγελματικούς ή εμπορικούς σκοπούς (για παράδειγμα, δωμάτια παιχνιδιών, εκπαίδευση, διαγωνισμοί), (3) σε περίπτωση μη συμμόρφωσης με τις οδηγίες που παρέχονται από την Τεχνική Υποστήριξη, (4) για λογισμικό, το εν λόγω λογισμικό υπόκειται σε συγκεκριμένη εγγύηση, (5) για αναλώσιμα (στοιχεία που πρόκειται να αντικατασταθούν από τη διάρκεια ζωής του προϊόντος: για παράδειγμα, μπαταρίες μίας χρήσης, καλύμματα αυτιών για σετ ακουστικών ή ακουστικά), (6) για αξεσουάρ (για παράδειγμα, καλώδια, περιβλήματα, θήκες, τσάντες, λουράκια καρπού), (7) αν το προϊόν πωληθεί σε δημοπρασία.

Η παρούσα εγγύηση δεν μεταβιβάζεται.

Τα νομικά δικαιώματα του καταναλωτή σε σχέση με την ισχύουσα νομοθεσία όσον αφορά την πώληση των καταναλωτικών ειδών στη χώρα του/της που δεν επηρεάζονται από την παρούσα εγγύηση.

Επιπλέον διατάξεις εγγύησης

Κατά την περίοδο εγγύησης, η Guillemot δεν θα διαθέσει, κατά βάση, κανένα ανταλλακτικό, καθώς η Τεχνική Υποστήριξη είναι ο μόνος συμβαλλόμενος εξουσιοδοτημένος να ανοίξει και/ή να μετασκευάσει οποιοδήποτε προϊόν της Thrustmaster (με εξαίρεση κάθε διαδικασία μετασκευής, την οποία η Τεχνική Υποστήριξη μπορεί να ζητήσει να διεξάγει ο καταναλωτής, υπό τη μορφή γραπτών οδηγιών – για παράδειγμα, λόγω της απλούστευσης και της έλλειψης εμπιστευτικότητας της διαδικασίας μετασκευής – και παρέχοντας στον καταναλωτή το απαιτούμενο(α) ανταλλακτικό(ά), όπου είναι εφικτό).

Δεδομένου των κύκλων καινοτομιών και με σκοπό την προστασία της τεχνολογίας και των εμπορικών μυστικών, η Guillemot δεν θα παρέχει, κατά βάση, καμία ειδοποίηση περί μετασκευής ή ανταλλακτικών για κανένα προϊόν της Thrustmaster του οποίου η περίοδος εγγύησης έχει λήξει.

Στις Η.Π.Α. και τον Καναδά, η παρούσα εγγύηση περιορίζεται στον εσωτερικό μηχανισμό και το εξωτερικό περιβάλλον του προϊόντος. Σε καμία περίπτωση η Guillemot ή η θυγατρικές της δεν φέρουν ευθύνη σε οποιονδήποτε τρίτο για κάθε επακόλουθη ή τυχαία ζημιά που προκύπτει από το παράπτωμα οποιασδήποτε ρητής ή σιωπηρής εγγύησης. Μερικές Πολιτείες/Επαρχίες δεν επιτρέπουν περιορισμό στο πόσον καιρό διαρκεί μια σιωπηρή εγγύηση ή η εξαιρέση ή περιορισμένη ευθύνη για επακόλουθες ή τυχαίες ζημιές, ώστε οι παραπάνω περιορισμοί ή εξαιρέσεις ενδέχεται να μην ισχύουν για εσάς. Η παρούσα εγγύηση σας παρέχει συγκεκριμένα νομικά δικαιώματα, και επίσης ενδέχεται να έχετε κι άλλα δικαιώματα που ποικίλουν από Πολιτεία σε Πολιτεία ή από Επαρχία σε Επαρχία.

Ευθύνη

Αν επιτρέπεται από την ισχύουσα νομοθεσία, η Guillemot Corporation S.A. (εφεξής "Guillemot") και οι θυγατρικές της αποποιούνται κάθε ευθύνης για οποιαδήποτε ζημιά προκαλείται από ένα ή περισσότερα από τα ακόλουθα: (1) το προϊόν έχει τροποποιηθεί, ανοιχτεί ή μεταποιηθεί, (2) αποτυχία ως προς τη συμμόρφωση με τις οδηγίες συναρμολόγησης, (3) ακατάλληλη ή κακή χρήση, αμέλεια, ατύχημα (για παράδειγμα, πρόσκρουση), (4) φυσιολογική φθορά, (5) χρήση του προϊόντος για οποιαδήποτε άλλη χρήση πέρα από την οικιακή χρήση, συμπεριλαμβανομένης χρήσης για επαγγελματικούς ή εμπορικούς σκοπούς (για παράδειγμα, δωμάτια παιχνιδιών, εκπαίδευση, διαγωνισμοί). Αν επιτρέπεται από την ισχύουσα νομοθεσία, η Guillemot και οι θυγατρικές της αποποιούνται κάθε ευθύνης για οποιαδήποτε ζημιά δεν σχετίζεται με λάθος στο υλικό ή την κατασκευή αναφορά με το προϊόν (συμπεριλαμβάνεται, ενδεικτικά, οποιαδήποτε ζημιά προκαλείται άμεσα ή έμμεσα από οποιοδήποτε λογισμικό ή από συνδυασμό του προϊόντος της Thrustmaster με κάθε ακατάλληλο στοιχείο, συμπεριλαμβανομένων συγκεκριμένων παροχών ρεύματος, επαναφορτιζόμενων μπαταριών, φορτιστών ή άλλων στοιχείων που δεν παρέχονται από την Guillemot για αυτό το προϊόν).

ΠΝΕΥΜΑΤΙΚΑ ΔΙΚΑΙΩΜΑΤΑ

© 2016 Guillemot Corporation S.A. Με την επιφύλαξη παντός δικαιώματος. Η ονομασία Thrustmaster® είναι εμπορικό σήμα της Guillemot Corporation S.A. Η ονομασία Windows® είναι εμπορικό σήμα κατατεθέν της Microsoft Corporation στις Ηνωμένες Πολιτείες Αμερικής και/ή σε άλλες χώρες. Όλα τα υπόλοιπα εμπορικά σήματα αποτελούν ιδιοκτησία των αντίστοιχων κατόχων τους. Οι εικόνες δεν είναι δεσμευτικές. Τα περιεχόμενα, οι σχεδιασμοί και οι προσδιορισμοί προδιαγραφών υπόκεινται σε αλλαγή χωρίς ειδοποίηση και ενδέχεται να ποικίλουν από χώρα σε χώρα. Κατασκευάζεται στην Κίνα.

ΣΥΣΤΑΣΗ ΠΡΟΣΤΑΣΙΑΣ ΠΕΡΙΒΑΛΛΟΝΤΟΣ



Στο τέλος της ωφέλιμης διάρκειας ζωής, το παρόν προϊόν δεν πρέπει να απορρίπτεται με τα τυπικά οικιακά απορρίμματα, αλλά να απορρίπτεται σε σημείο συλλογής απόρριψης ηλεκτρικού και ηλεκτρονικού εξοπλισμού για ανακύκλωση.

Το παρόν επιβεβαιώνεται με το σύμβολο που υπάρχει στο προϊόν, στο εγχειρίδιο χρήσης ή στη συσκευασία.

Ανάλογα με τα χαρακτηριστικά τους, τα υλικά μπορούν να ανακυκλωθούν. Μέσω της ανακύκλωσης και άλλων μορφών επεξεργασίας απόρριψης ηλεκτρικού και ηλεκτρονικού εξοπλισμού, μπορείτε να συμβάλετε σημαντικά στην προστασία του περιβάλλοντος.

Επικοινωνήστε με τις τοπικές αρχές για το πλησιέστερο σε εσάς σημείο συλλογής.

Κρατήστε αυτές τις πληροφορίες. Τα χρώματα και τα διακοσμητικά ενδέχεται να ποικίλουν.

Αυτό το προϊόν συμμορφώνεται με όλα τα πρότυπα όσον αφορά τα παιδιά ηλικίας 14 ετών και πάνω.

Αυτό το προϊόν δεν είναι κατάλληλο για παιδιά ηλικίας κάτω των 14 ετών.

www.thrustmaster.com



THRUSTMASTER®

ΤΕΧΝΙΚΉΣ ΥΠΟΣΤΉΡΙΞΗΣ

<http://ts.thrustmaster.com>

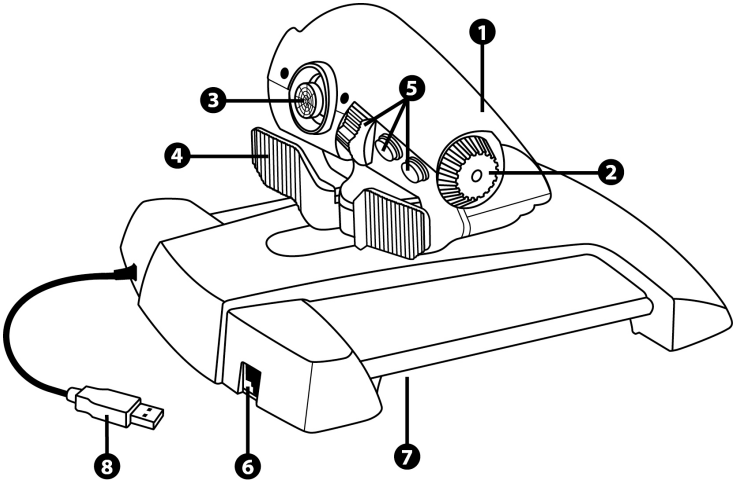


TWCS

Throttle

Kullanma Kılavuzu

TEKNİK ÖZELLİKLER



1. Gaz kolu eksenini
2. Anten eksenini
3. Basmalı butonlu mini kol eksenini
4. Basmalı anahtar eksenini

5. 14 eylem tuşu
6. TFRP dümen konektörü
7. Sürtünme ayar vidası
8. USB konektörü

PC İÇİN KURULUM TALİMATLARI

1. <https://support.thrustmaster.com/> adresine gidin. Joysticks / TWCS Throttle'u ve ardından Drivers'ı seçin. PC sürücüsünü ve özel Windows Denetim Masası bazlı arayüzünü indirerek yükleyin.

2. PC sürücüsünü yükledikten sonra USB konektörünü bilgisayarınızın USB bağlantı noktalarından birine bağlayın.

3. Kontrol Paneline ulaşmak için

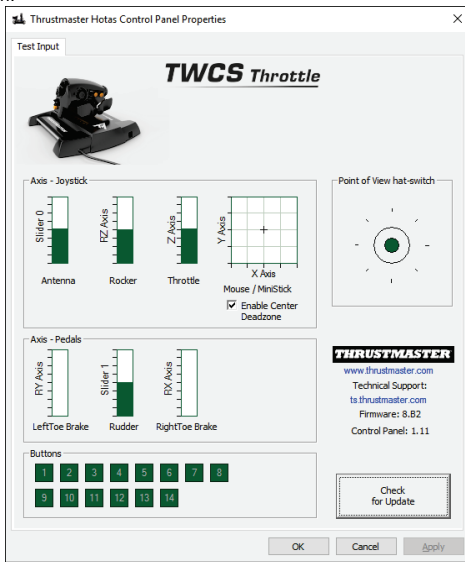
- **Başlat / Uygulamalar / Thrustmaster / Control Panel** veya **Başlat / Control Panel** (Windows® 10 / 8.1 / 8'de)

- **Başlat / Tüm Programlar / Thrustmaster / Control Panel** veya **Başlat / Control Panel** (Windows® 7 / Vista'da)

Oyun Kumandaları iletişim kutusu açılır.

Cihaz, **TWCS Throttle** adıyla, **Tamam** durumunda gösterilir.

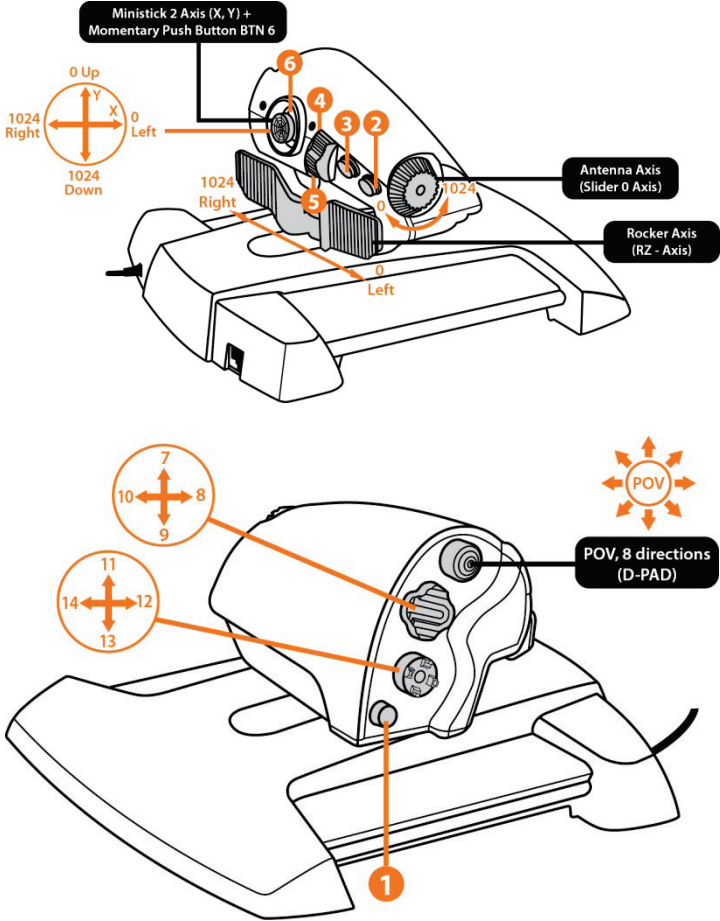
4. Tüm fonksiyonları test etmek ve görmek için **Oyun Kumandaları** iletişim kutusunda **Özellikler**'i seçin.

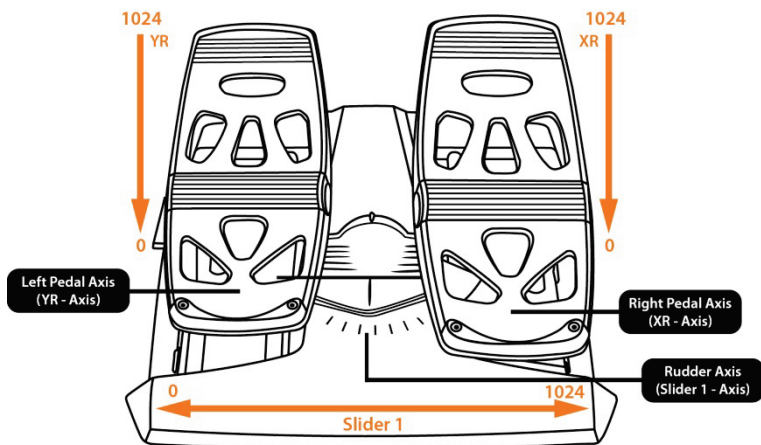
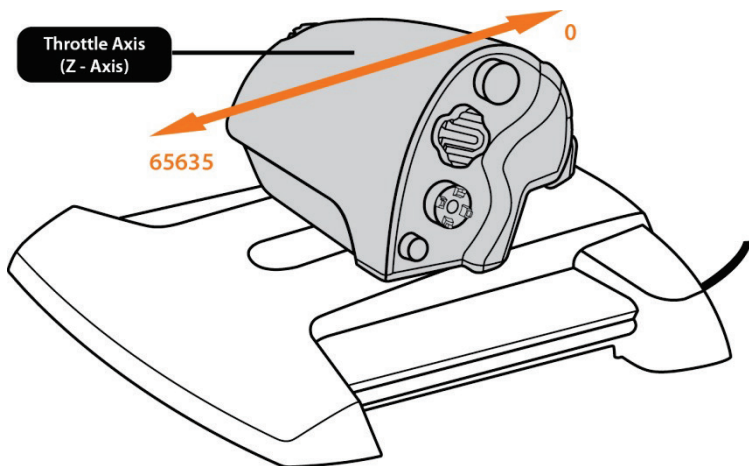


Not: Enable Center Deadzone sekmesi, mini kolun eksen merkezindeki ölü bölgeyi devreye almanızı veya devreden çıkarmanızı sağlar. Seçiminiz TWCS'nin dahili belleğine otomatik olarak kaydedilir.

Artık oynamaya hazırsınız!

14 TUŞ VE 8 EKSENİN EŞLEMESİ





TFRP DÜMENİN TWCS GAZ KOLUNA TAKILMASI

TWCS gaz kolu, TFRP dümen pedallarına ayrılmış 3 eksen dahil 8 eksen içerir.

TFRP dümen pedalları doğrudan **TWCS gaz koluna** bağlanır.

1. Dümen pedallarının RJ12 erkek konektörünü, TWCS gaz kolunun arka tarafında bulunan RJ12 dişi konektöre bağlayın.
2. TWCS gaz kolunun USB konektörünü bilgisayarın USB portlarından birine bağlayın.

Otomatik eksen kalibrasyonu ile ilgili önemli notlar:

- TFRP pedal setini TWCS gaz koluna bağlarken dümen eksenini daima merkezlenmiş bırakın. Ayaklarınızı pedallara dayamayın.
- Dümen pedallarının 3 eksenini birkaç hareket sonrasında ve dümen eksenini ile 2 diferansiyel fren eksenini için fiziki durma noktalarına ulaştıktan sonra kendilerini otomatik olarak kalibre ederler.

T.A.R.G.E.T GELİŞMİŞ PROGRAMLAMA YAZILIMI

(Thrustmaster Advanced pROgramming Graphical EdiTor)

<https://support.thrustmaster.com> adresine gidin. Joysticks / TWCS Throttle'u ve ardından Software'i seçin. T.A.R.G.E.T gelişmiş programlama yazılımını indirerek yükleyin.

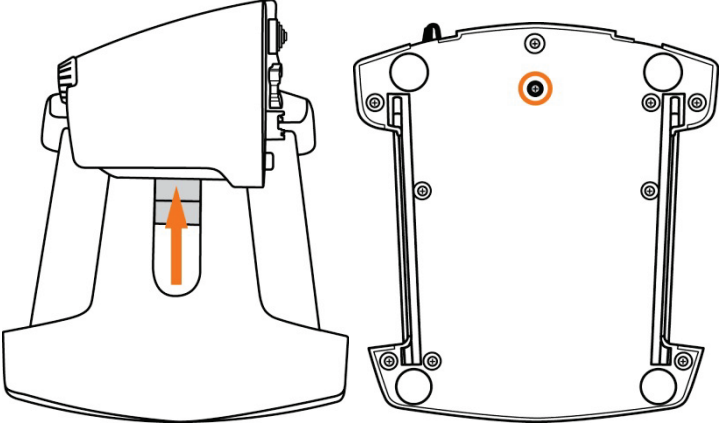
T.A.R.G.E.T ana özellikleri:

- Çoklu eksen konfigürasyonları.
- Birden fazla programlama düzeyi: Basic, Advanced ve Script.
- "Sürükle ve Bırak" kumandalar.
- TWCS gaz kolunu diğer Thrustmaster joystick'lerle (HOTAS Cougar, HOTAS Warthog, T.16000M, MFD Cougar Pack, T.A.R.G.E.T ile de uyumlu) birleştirme yeteneği sayesinde kumanda birimlerinin tek bir USB aygıtı olarak algılanmasını sağlar.
- Thrustmaster topluluğu tarafından oluşturulan gelişmiş profillere ulaşma.

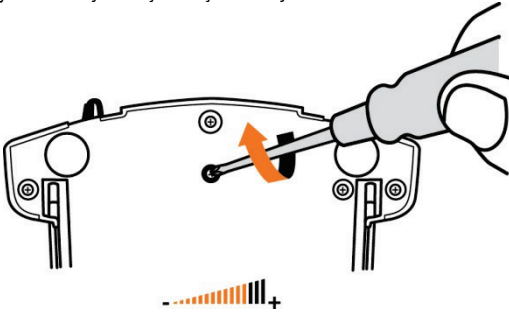


SÜRTÜNME AYARI

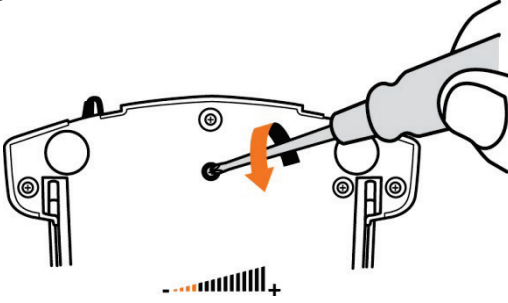
- Gaz kolunun eksenini maksimum pozisyona kadar ittirin, daha sonra sürtünme ayar vidasına ulaşmak için TWCS gaz kolunu ters çevirin.



- Sürtünmeyi artırmak için vidayı saat yönünde çevirin.



- Sürtünmeyi azaltmak için vidayı saatin aksi yönünde çevirin.



- Sürtünme sistemine zarar verebileceğinden dolayı ayar vidasını aşırı sıkmayın. Bir miktar direnç hisseder hissetmez vidayı döndürmeyi kesin.
- TWCS gaz kolunun gövdesinin içine düşebileceğinden dolayı ayar vidasını tamamen sökmeyin.

SORUN GİDERME VE UYARI

- **TWCS gaz kolum düzgün çalışmıyor veya hatalı kalibre edilmiş gözüküyor.**
 - Bilgisayarınızı kapatın, TWCS gaz kolunun USB konektörünü çıkarın, daha sonra yeniden takın; bilgisayarı açın (veya oyun konsolunuzu), ardından oyunu tekrar başlatın.
 - TWCS gaz kolunun USB konektörünü bağlarken daima dümen eksenini merkez pozisyonda bırakın. Ayaklarınızı pedallara dayamayın.
- **TWCS gaz kolumu ayarlayamıyorum.**
 - Oyunun Seçenekler / Kumanda Birimi / Gaz Kolu veya Joystick menüsünden uygun konfigürasyonu seçin veya kumanda birimi seçeneklerini komple yeniden ayarlayın.
 - Daha fazla bilgi için lütfen oyununuzun kullanma kılavuzuna veya online yardıma başvurun.
 - T.A.R.G.E.T (Thrustmaster Advanced pROgramming Graphical EdiTor) yazılımını kullanın.
- **TWCS gaz kolum çok hassas veya yeterince hassas değil:**
 - TWCS gaz kolunun eksenleri birkaç hareket sonrasında veya eksenin fiziksel durma noktalarına ulaşıldığında kendilerini otomatik olarak kalibre eder .
 - Oyunun Seçenekler / Kumanda Birimi / Gaz Kolu veya Joystick menüsünden varsa kumanda biriminizin hassasiyetini ve ölü bölgelerini ayarlayın.
 - T.A.R.G.E.T (Thrustmaster Advanced pROgramming Graphical EdiTor) yazılımını kullanın.

Tüketici garanti bilgisi

İşbu Thrustmaster ürünü, malzeme ve işçilik hatalarına karşı, müşterinin kusurlu ürünün ücretinin iade edilmesi veya değiştirilmesi talebinde bulunabileceği süreye karşılık gelen garanti süresince dünya çapında tescil edilmiş merkezi Place du Granier, B.P. 97143, 35571 Chantepie, Fransa'da bulunan Guillemot Corporation S.A. (bundan sonra "Guillemot" olarak ifade edilecektir) garantisi altındadır. Avrupa Birliği ülkelerinde bu süre, Thrustmaster ürününün tesliminden itibaren iki (2) seneye karşılık gelir. Diğer ülkelerde garanti süresine, Thrustmaster ürünü ile ilgili olarak, Thrustmaster ürününün satın alındığı tarihte müşterinin ikamet ettiği ülkede geçerli yasalara uygun şekilde, müşterinin kusurlu ürünün ücretinin iade edilmesi veya değiştirilmesi talebinde bulunabileceği süreye karşılık gelir (İlgili ülkede bu tür bir düzenleme mevcut değilse garanti süresi Thrustmaster ürününün satın alındığı asıl tarihten itibaren bir (1) yıl olacaktır).

Yukarıdakilere bağlı kalmaksızın, yeniden doldurulabilir piller ilk satın alındıkları tarihten itibaren altı (6) ay boyunca garanti kapsamındadır.

Garanti süresi içinde üründe hata veya kusur tespit edilmesi durumunda derhal izlenecek yöntem ile ilgili size bilgi verecek olan Teknik Destek servisimize başvurun. Hata veya kusur onaylanırsa ürünün satın alındığı yere (ya da Teknik Destek servisi tarafından belirtilen yere) iade edilmesi gerekmektedir.

İşbu garanti kapsamında müşterinin kusurlu ürünü, Teknik Destek servisinin insiyatifine bağlı olarak, değiştirilecek veya çalışır hale getirilecektir. Garanti süresince Thrustmaster ürününün onarım işlemine tabi tutulması durumunda, ürünün kullanım dışı olduğu en az yedi (7) günlük tüm süreler katan garanti süresine eklenecektir (bu süre, ürünün onarılması için hazır bulundurulduğu tarih müdahale edilmesi için talepte bulunduğu tarihi takip ediyor ise müşterinin müdahale edilmesi için talepte bulunduğu tarihten veya bahse konu ürünün onarılması için hazır bulundurulduğu tarihten başlar). Yürürlükte olan yasaların izin verdiği durumlarda, Guillemot ve bağlılarının tüm sorumluluğu (dolaylı hasarlar da dahil olmak üzere) Thrustmaster ürününün çalışır hale getirilmesi veya değiştirilmesi ile sınırlıdır. Yürürlükte olan yasaların izin vermesi halinde Guillemot, ticarete elverişlilik veya belirli bir amaca uygunluk ile ilgili tüm garantileri reddeder.

İşbu garanti aşağıdaki durumlar için geçerli değildir: (1) Ürün modifye edilmişse, açılmışsa, üzerinde değişiklik yapılmışsa, uygunsuz veya kötü kullanım, ihmâl, kaza, normal aşınma ya da malzeme veya üretim hatası ile ilgili olmayan nedenlerden dolayı hasar görmüşse (ancak bununla sınırlı kalmamak üzere, Thrustmaster ürününü herhangi uygun bir elemanla birleştirmek, buna dahil olarak özellikle güç kaynakları, yeniden doldurulabilir piller, şarj cihazları veya bu ürün için Guillemot tarafından tedarik edilmemiş tüm diğer elemanlar); (2) ürün, evde kullanım dışında, profesyonel veya ticari maksatlı olanlar da dahil olmak üzere (örneğin oyun salonları, eğitim, yarışlar) başka maksatlarla kullanılmışsa; (3) Teknik Destek servisi tarafından sağlanan talimatlara uyulmamışsa; (4) yazılım için, işbu garanti geçerli değildir, söz konusu yazılım için sağlanan özel garanti hükümlerine tabidir; (5) sarf malzemeleri için (ürünün kullanım süresi içinde değiştirilecek elemanlar: örneğin; tek kullanımlık piller, kulaklık yastıkları); (6) aksesuarlar için (örneğin; kablolar, kıllar, cepler, çantalar, bileklikler); (7) ürün açık artırma ile satılmışsa.

Bu garanti devrolunamaz.

Tüketim mallarının tüketicinin ülkesinde satışına ilişkin tüketicinin yasal hakları işbu garantiden etkilenmemektedir.

Ek garanti hükümleri

Garanti süresince, tüm Thrustmaster ürünlerini açmaya ve/veya onarmaya yetkili tek taraf Teknik Destek Servisi olduğundan prensip olarak Guillemot tarafından hiçbir yedek parça sağlanmayacaktır (Uygulanabilir olması durumunda yazılı talimatlarla ve müşteriye gerekli yedek parça(lar) sağlanarak Teknik Destek Servisinin müşteri tarafından yapılmasını isteyebileceği tüm onarım prosedürleri hariç – örneğin onarım işleminin basit olmasından ve gizlilik içermemesinden dolayı).

İnovasyon döngülerini dikkate almak ve bilgi birikimi ile ticari sınırlarını korumak için Guillemot, prensip olarak garanti süresi dolmuş hiç bir Thrustmaster ürünün için onarım bilgisi veya yedek parça sağlamayacaktır.

Amerika Birleşik Devletleri ve Kanada'da bu garanti, ürünün dahili mekanizması ve harici gövdesi ile sınırlıdır. Guillemot veya bağlıları hiçbir durum altında, her türlü açık ve zımnî garantinin ihlâl edilmesinden kaynaklanan tüm dolaylı veya arzi hasarlardan dolayı hiçbir üçüncü tarafa karşı sorumlu tutulamaz. Bazı Eyalet/İllerde zımnî garantinin ne kadar süre ile geçerli olduğunun sınırlanmasına veya dolaylı veya arzi hasarlara karşı sorumluluk muafiyeti veya sınırlanmasına izin vermez; bu nedenle yukarıda geçen sınırlamalar veya muafiyetler sizin için geçerli olmayabilir. İşbu garanti size yasal haklar sağlamakta olup Eyalet veya İle göre farklılık gösteren başka haklara da sahip olabilirsiniz.

Sorumluluk

Yürürlükte olan yasaların izin vermesi halinde, Guillemot Corporation S.A. (bundan sonra "Guillemot" olarak ifade edilecektir) ve bağılıları aşağıdakilerin biri veya daha fazlasından kaynaklanan her türlü hasara karşı tüm sorumluluğu reddeder: (1) Ürün modifiye edilmişse, açılmışsa, üzerinde değişiklik yapılmışsa; (2) montaj talimatlarına uyulmamışsa; (3) uygunsuz veya kötü kullanım, ihmal, kaza (örneğin bir darbe); (4) normal aşınma; (5) ürünün, evde kullanım dışında, profesyonel veya ticari maksatlı olanlar da dahil olmak üzere (örneğin oyun salonları, eğitim, yarışlar) başka maksatlarla kullanılması. Yürürlükte olan yasaların izin vermesi halinde, Guillemot ve bağılıları ürünle ilgili malzeme veya üretim hatası ile ilgili olmayan her türlü hasara karşı tüm sorumluluğu reddeder (ancak bununla sınırlı kalmamak üzere, herhangi bir yazılımdan veya Thrustmaster ürününün herhangi bir uygun olmayan elemanla birleştirilmesinden doğrudan veya dolaylı olarak kaynaklanan tüm hasarlar, buna dahil olarak özellikle güç kaynakları, yeniden doldurulabilir piller, şarj cihazları veya bu ürün için Guillemot tarafından tedarik edilmemiş tüm diğer elemanlar).

ENGLISH

FRANÇAIS

DEUTSCH

NEDERLANDS

ITALIANO

ESPAÑOL

PORTUGUÊS

РУССКИЙ

ΕΛΛΗΝΙΚΑ

TÜRKÇE

POLSKI

TELİF HAKKI

© 2016 Guillemot Corporation S.A. Tüm hakları saklıdır. Thrustmaster® Guillemot Corporation S.A'nın tescilli markasıdır. Windows® ABD ve/veya diğer ülkelerde, Microsoft Corporation'ın tescilli ticari markasıdır. Diğer tüm ticari markalar kendi sahiplerinin. Resimler bağlayıcı değildir. İçerik, tasarım ve özellikler önceden haber verilmeksizin değiştirilebilir ve bir ülkeden başka bir ülkeye değişiklik gösterebilir. Çin'de yapılmıştır.

ÇEVRE KORUMA ÖNERİLERİ



Cihazın kullanım ömrü sona erdiğinde, standart ev atıkları ile atılmamalı, geri dönüşüm için Atık Elektrikli ve Elektronik Cihazların toplandığı bir yere bırakılmalıdır.

Bu, ürünün, kullanım kılavuzunun veya paketin üzerinde bulunan sembol ile onaylanmıştır.

Özelliklerine bağlı olarak malzemeler geri dönüştürülebilir. Atık Elektrik ve Elektronik Cihazların geri dönüşümü veya diğer işleme yöntemleri sayesinde çevrenin korunmasına yönelik önemli bir katkıda bulunabilirsiniz.

Size en yakın toplama merkezleri hakkında bilgi almak için lütfen yerel yetkililerle iletişime geçin.

Bu belgeyi saklayın. Renkler ve süslemeler değişiklik gösterebilir.

Bu ürün 16 yaş veya üstü çocuklar ile ilgili tüm standartlara uygundur. Bu ürün, 16 yaşından küçük çocukların kullanımına uygun değildir.

www.thrustmaster.com



THRUSTMASTER®

TEKNİK DESTEK

<http://support.thrustmaster.com>

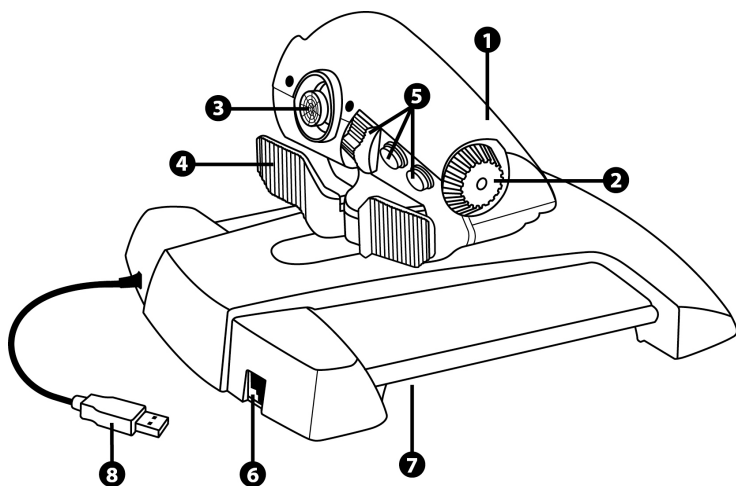


TWCS

Throttle

Instrukcja obsługi

ELEMENTY



1. Oś uchwytu przepustnicy
2. Oś anteny
3. Oś minidrażka z przyciskiem
4. Ośie przełącznika kołyskowego

5. 14 przycisków czynności
6. Złącze steru kierunku TFRP
7. Śruba regulacji oporu
8. Złącze USB

INSTRUKCJA INSTALACJI — PC

1. Wejdź na stronę <https://support.thrustmaster.com/>. Wybierz kolejno Joysticks / TWCS Throttle, a następnie Drivers. Pobierz i zainstaluj sterownik dla komputera PC i związany z nim specjalny interfejs zgodny z Panelem sterowania Windows.

2. Po zainstalowaniu sterownika PC podłącz złącze USB do jednego z portów USB komputera.

3. Aby wyświetlić Panel sterowania, wybierz:

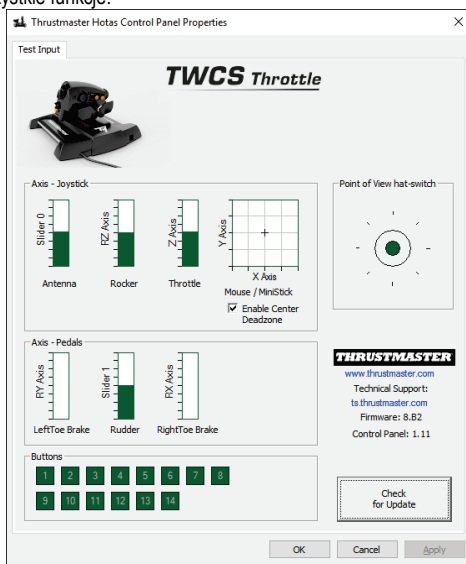
– **Start / Aplikacje / Thrustmaster / Panel sterowania** lub **Start / Panel sterowania** (w systemie Windows® 10 / 8.1 / 8)

– **Start / Wszystkie programy / Thrustmaster / Panel sterowania** lub **Start / Panel sterowania** (w systemie Windows® 7 / Vista)

Wyświetli się okno dialogowe **Kontrolery gier**.

Urządzenie będzie wyświetlane pod nazwą **TWCS Throttle** ze statusem **OK**.

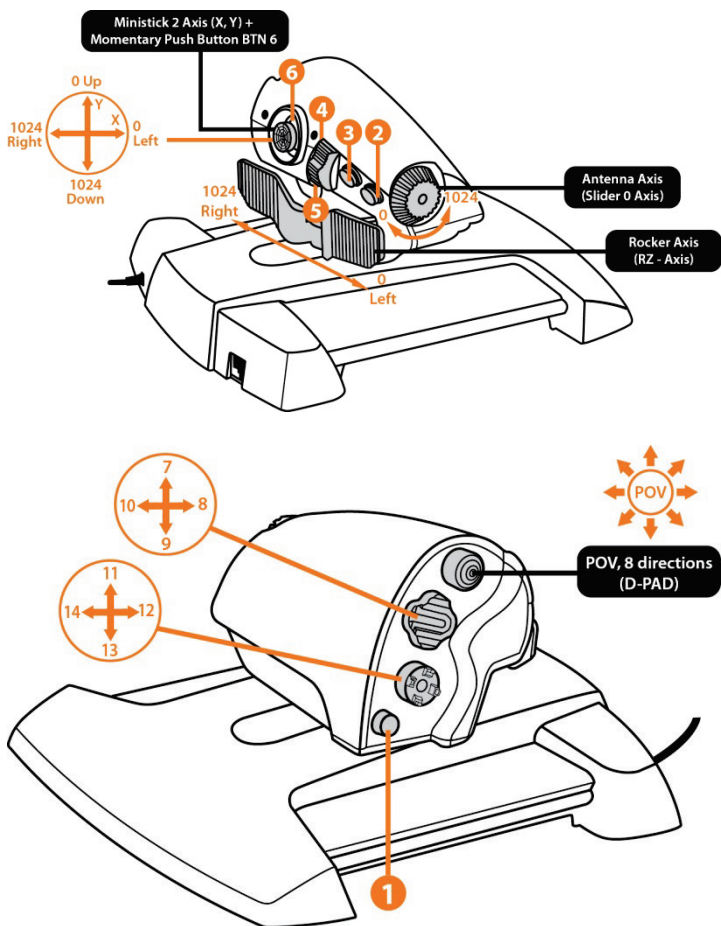
4. W oknie dialogowym **Kontrolery gier** wybierz **Właściwości**, aby przetestować i wyświetlić wszystkie funkcje.

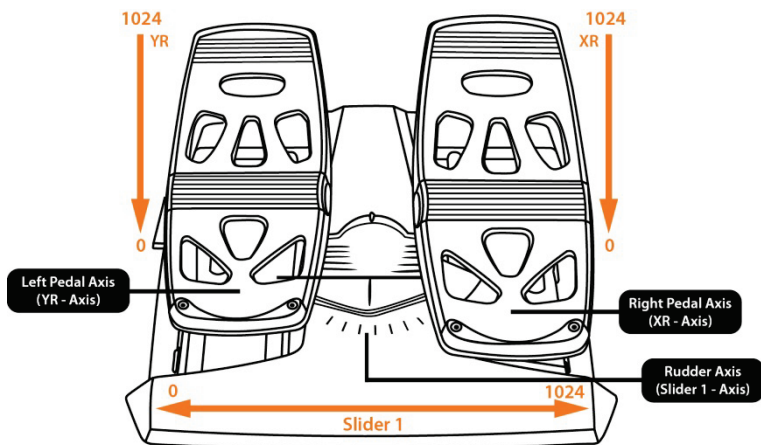
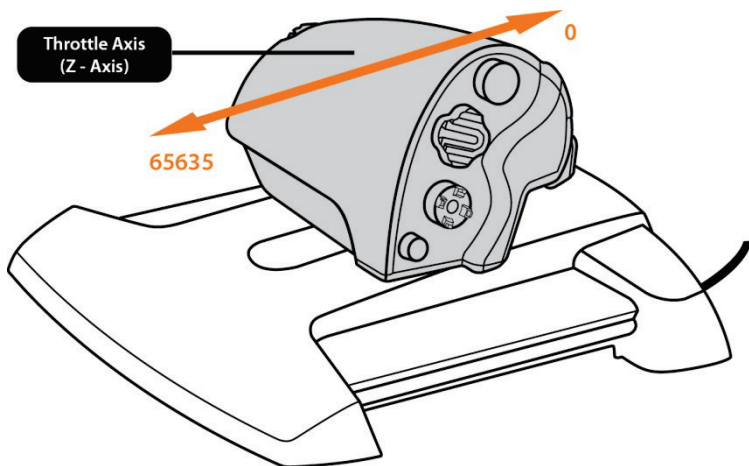


Uwaga: Karta Enable Center Deadzone umożliwia włączenie i wyłączenie martwej strefy na środku osi minidrażka. Wybrane ustawienie jest automatycznie zapisywane w pamięci wewnętrznej przepustnicy TWCS.

Teraz możesz zacząć grać!

MAPOWANIE 14 PRZYCISKÓW I 8 OSI





PODŁĄCZANIE STERU KIERUNKU TFRP DO PRZEPUSTNICY TWCS

Przepustnica TWCS ma 8 osi, w tym 3 osie przeznaczone dla pedałóW steru kierunku TFRP.

Pedały steru kierunku TFRP podłącza się bezpośrednio do **przepustnicy TWCS**.

1. Podłącz złącze męskie RJ12 pedałóW steru kierunku do złącza żeńskiego RJ12 znajdującego się z tyłu przepustnicy TWCS.
2. Podłącz złącze USB przepustnicy TWCS do jednego z portóW USB komputera.

Ważne uwagi dotyczące automatycznej kalibracji osi:

- Dopilnuj, aby podczas podłączania zestawu pedałóW TFRP do przepustnicy TWCS ós steru kierunku znajdowała się w położeniu środkowym. Nie opieraj stóp na pedałach.
- Trzy osie pedałóW steru kierunku, czyli ós steru kierunku i osie 2 hamulców różnicowych, kalibrują się automatycznie po kilku ruchach i po osiągnięciu fizycznych blokad każdej z osi.

ZAAWANSOWANA APLIKACJA DO PROGRAMOWANIA T.A.R.G.E.T (Thrustmaster Advanced pProgramming Graphical EdiTor)

Wejdz na stronę <https://support.thrustmaster.com>. Wybierz kolejno Joysticks / TWCS Throttle, a następnie Software. Pobierz i zainstaluj zaawansowaną aplikację do programowania T.A.R.G.E.T.

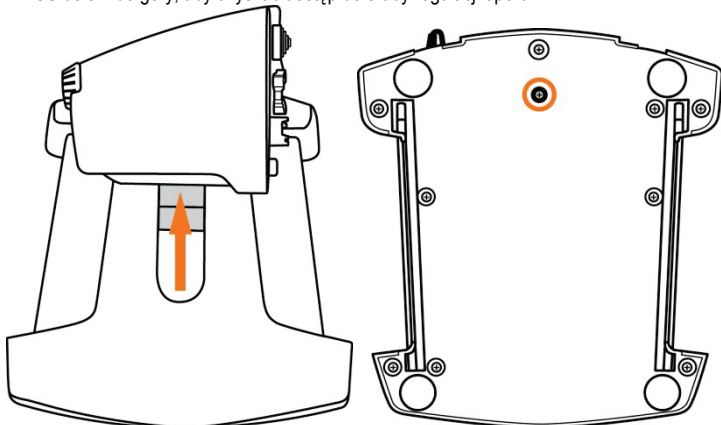
Główne cechy aplikacji T.A.R.G.E.T:

- Wiele konfiguracji osi
- Wiele poziomóW programowania: Basic, Advanced i Script
- Sterowanie metodą przeciągania i upuszczania
- Możliwość łączenia przepustnicy TWCS z innymi joystickami Thrustmaster (HOTAS Cougar, HOTAS Warthog, T.16000M, MFD Cougar Pack — również zgodnymi z aplikacją T.A.R.G.E.T), dzięki czemu kontrolery są rozpoznawane jako jedno urządzenie USB
- Dostęp do zaawansowanych profili tworzonych przez członków społeczności Thrustmaster

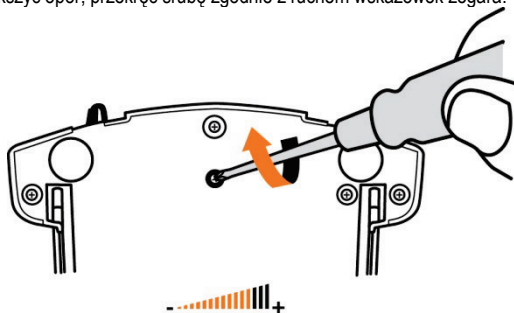


REGULACJA OPORU

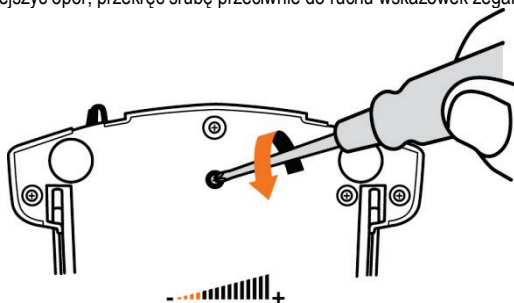
- Przesław uchwyt przepustnicy w położenie maksymalne, a następnie obróć przepustnicę TWCS dołem do góry, aby uzyskać dostęp do śruby regulacji oporu.



- Aby zwiększyć opór, przekręć śrubę zgodnie z ruchem wskazówek zegara.



- Aby zmniejszyć opór, przekręć śrubę przeciwnie do ruchu wskazówek zegara.



- Nie dokręcaj śruby regulacyjnej zbyt mocno, ponieważ może to doprowadzić do uszkodzenia układu regulacji oporu. Gdy tylko poczujesz opór, przestań dokręcać śrubę.
- Nie wykręcaj śruby regulacyjnej całkowicie, ponieważ mogłaby wówczas wpaść do wewnętrznej obudowy przepustnicy TWCS.

ROZWIĄZYWANIE PROBLEMÓW I OSTRZEŻENIA

- **Przepustnica TWCS nie działa prawidłowo lub wydaje się niewłaściwie skalibrowana.**

- Wyłącz komputer, odłącz złącze USB przepustnicy TWCS, następnie podłącz je ponownie, włącz komputer, a następnie ponownie uruchom grę.
- Dopilnuj, aby podczas podłączania złącza USB przepustnicy TWCS oś steru kierunku znajdowała się w położeniu środkowym. Nie opieraj stóp na pedałach.

- **Nie mogę skonfigurować przepustnicy TWCS.**

- W menu opcji/kontrolera/przepustnicy lub joysticka dostępnym w grze wybierz odpowiednią konfigurację lub całkowicie przekonfiguruj opcje kontrolera.
- Więcej informacji znajdziesz w instrukcji obsługi gry lub jej pomocy online.
- Skorzystaj z aplikacji T.A.R.G.E.T (Thrustmaster Advanced pProgramming Graphical Editor).

- **Przepustnica TWCS jest zbyt czuła lub niewystarczająco czuła.**

- Oś przepustnicy TWCS kalibrują się automatycznie po kilku ruchach i po osiągnięciu fizycznych blokad osi.
- W menu opcji/kontrolera/przepustnicy lub joysticka dostępnym w grze ustaw odpowiednią czułość i martwe strefy kontrolera (jeśli takie ustawienia są dostępne).
- Skorzystaj z aplikacji T.A.R.G.E.T (Thrustmaster Advanced pProgramming Graphical Editor).

Informacje dotyczące gwarancji dla klienta

Firma Guillemot Corporation S.A. z siedzibą pod adresem Place du Granier, B.P. 97143, 35571 Chantepie, Francja („Guillemot”) udziela klientowi obowiązującej na całym świecie gwarancji, że niniejszy produkt Thrustmaster będzie wolny od wad materiałowych i produkcyjnych przez okres gwarancji równy limitowi czasu, w którym klient może występować z roszczeniami z tytułu wad niniejszego produktu. W krajach Unii Europejskiej jest to okres dwóch (2) lat od dostarczenia produktu Thrustmaster. W innych krajach okres gwarancji jest równy limitowi czasu, w którym klient może występować z roszczeniami z tytułu wad produktu Thrustmaster zgodnie z przepisami obowiązującymi w kraju, w którym klient mieszkał w dniu zakupu produktu Thrustmaster. (Jeśli przepisy danego kraju nie przewidują występowania z takimi roszczeniami, okres gwarancji będzie wynosił jeden (1) rok od pierwotnej daty zakupu produktu Thrustmaster).

Niezależnie od powyższego akumulatory są objęte sześciomiesięcznym (6-miesięcznym) okresem gwarancji liczonym od daty pierwotnego zakupu.

Jeśli w okresie gwarancji wystąpią objawy mogące świadczyć o wadzie produktu, należy niezwłocznie skontaktować się z działem pomocy technicznej, który wskaże dalszy sposób postępowania. W razie potwierdzenia wady produkt należy zwrócić w punkcie zakupu (lub innym miejscu wskazanym przez dział pomocy technicznej).

W ramach niniejszej gwarancji wadliwy produkt zostanie wymieniony lub przywrócony do stanu sprawności użytkowej, zgodnie z decyzją działu pomocy technicznej. Jeśli w okresie gwarancji produkt Thrustmaster zostanie poddany czynnościom mającym na celu przywrócenie go do stanu użytkowego, dowolny okres co najmniej siedmiu (7) dni, podczas których produkt nie jest używany, zostanie dodany do pozostałego okresu gwarancji (okres ten liczy się od dnia, w którym klient poprosi o interwencję, lub od dnia, w którym dany produkt zostanie udostępniony celem przywrócenia do stanu użytkowego, jeśli data udostępnienia celem przywrócenia do stanu użytkowego następuje po dacie prośby o interwencję). Jeśli zezwala na to obowiązujące prawo, całkowita odpowiedzialność firmy Guillemot i jej podmiotów zależnych (łącznie z odpowiedzialnością za szkody wtórne) ogranicza się do przywrócenia do stanu użytkowego lub wymiany produktu Thrustmaster. Jeśli zezwala na to obowiązujące prawo, firma Guillemot wyłącza wszelkie gwarancje pokupności i przydatności do określonego celu.

Niniejsza gwarancja nie obowiązuje: (1) w przypadku, gdy produkt został zmodyfikowany, otwarty, zmieniony albo uszkodzony na skutek nieodpowiedniego lub nadmiernego użytkowania, niedbałości, wypadku, normalnego zużycia lub z innego powodu niezwiązanego z wadą materiałową ani produkcyjną (w tym między innymi z powodu połączenia produktu Thrustmaster z nieodpowiednim elementem, w tym w szczególności z zasilaczem, akumulatorem, ładowarką lub jakimkolwiek innym elementem niedostarczonym przez firmę Guillemot dla tego produktu); (2) w przypadku używania produktu w sposób inny niż użytk domowy, w tym do celów zawodowych lub komercyjnych (na przykład w salonach gier albo do prowadzenia szkoleń lub zawodów); (3) w razie nieprzestrzegania instrukcji podanych przez dział pomocy technicznej; (4) w odniesieniu do oprogramowania, jako że oprogramowanie to jest objęte odrębną szczegółową gwarancją; (5) w odniesieniu do materiałów eksploatacyjnych (elementów wymienianych w czasie eksploatacji produktu, na przykład baterii jednorazowych, muszli/nakładek na uszy do zestawów słuchawkowych lub słuchawek); (6) w odniesieniu do akcesoriów (na przykład kabli, pokrowców, etui, torebek, pasków na rękę); (7) w przypadku sprzedania produktu na aukcji publicznej.

Niniejsza gwarancja nie podlega przeniesieniu.

Niniejsza gwarancja nie wpływa na prawa klienta wynikające z przepisów dotyczących sprzedaży dóbr konsumenckich w kraju klienta.

Dodatkowe postanowienia gwarancyjne

W okresie gwarancji firma Guillemot zasadniczo nie udostępnia jakichkolwiek części zamiennych, ponieważ jedynym podmiotem upoważnionym do otwarcia jakiegokolwiek produktu Thrustmaster i/lub przywrócenia go do stanu użytkowego jest dział pomocy technicznej (oprócz ewentualnych procedur przywracania produktu do stanu użytkowego, o wykonanie których dział pomocy technicznej może poprosić klienta przez przekazanie pisemnych instrukcji — np. ze względu na prostotę i jawność procesu przywracania do stanu użytkowego — oraz, w razie potrzeby, przez udostępnienie klientowi wymaganych części zamiennych).

Ze względu na realizowane cykle innowacji oraz konieczność zapewnienia ochrony swojej specjalistycznej wiedzy i tajemnic handlowych firma Guillemot zasadniczo nie udostępnia powiadomień dotyczących przywracania do stanu użytkowego ani części zamiennych w przypadku produktów Thrustmaster, których okres gwarancji upłynął.

W USA i Kanadzie niniejsza gwarancja ogranicza się do wewnętrznych mechanizmów i zewnętrznej obudowy produktu. W żadnym wypadku firma Guillemot ani jej podmioty stowarzyszone nie będą odpowiadać wobec osób trzecich za szkody wtórne ani przypadkowe wynikające z naruszenia jakichkolwiek gwarancji wyraźnych lub domniemanych. Niektóre stany/prowincje nie zezwalają na ograniczenie czasu trwania gwarancji domniemanych bądź wyłączenie lub ograniczenie odpowiedzialności za szkody wtórne lub przypadkowe, więc powyższe ograniczenia lub wyłączenia mogą Ciebie nie dotyczyć. Niniejsza gwarancja przyznaje Ci określone prawa, a ponadto mogą przysługiwać Ci inne prawa zależnie od stanu lub prowincji.

Odpowiedzialność

Jeśli zezwala na to obowiązujące prawo, firma Guillemot Corporation S.A. („Guillemot”) i jej podmioty zależne nie ponoszą żadnej odpowiedzialności za szkody spowodowane przez co najmniej jeden z następujących czynników: (1) modyfikację lub otwarcie produktu bądź wprowadzenie w nim zmian; (2) nieprzestrzeganie instrukcji montażu; (3) nieodpowiednie lub nadmierne użytkowanie, niedbałość, wypadek (na przykład uderzenie); (4) normalne zużycie; (5) używanie produktu w sposób inny niż użytek domowy, w tym do celów zawodowych lub komercyjnych (na przykład w salonach gier albo do prowadzenia szkoleń lub zawodów). Jeśli zezwala na to obowiązujące prawo, firma Guillemot i jej podmioty zależne nie ponoszą żadnej odpowiedzialności za szkody niezwiązane z wadą materiałową lub produkcyjną produktu (w tym między innymi za szkody spowodowane bezpośrednio lub pośrednio przez jakiegokolwiek oprogramowanie lub na skutek połączenia produktu Thrustmaster z nieodpowiednim elementem, w tym w szczególności z zasilaczem, akumulatorem, ładowarką lub jakimkolwiek innym elementem niedostarczonym przez firmę Guillemot dla tego produktu).

PRAWA AUTORSKIE

© 2016 Guillemot Corporation S.A. Wszelkie prawa zastrzeżone. Thrustmaster® jest zastrzeżonym znakiem towarowym firmy Guillemot Corporation S.A. Windows® jest zastrzeżonym znakiem towarowym firmy Microsoft Corporation w USA i/lub innych krajach. Wszystkie inne znaki towarowe stanowią własność odpowiednich podmiotów. Ilustracje nie są wiążące prawnie. Treść, wzory i dane techniczne przedstawione w instrukcji mogą ulec zmianie bez powiadomienia i mogą różnić się w zależności od kraju. Wyprodukowano w Chinach.

ZALECENIE DOTYCZĄCE OCHRONY ŚRODOWISKA



Gdy okres przydatności produktu do eksploatacji dobiegnie końca, produktu nie należy pozbywać się wraz ze zwykłymi odpadami z gospodarstwa domowego, ale oddać do recyklingu w punkcie zbiórki zużytego sprzętu elektrycznego i elektronicznego.

Potwierza to symbol znajdujący się na produkcie, w instrukcji obsługi lub na opakowaniu.

Zależnie od swoich właściwości materiały zawarte w produkcie mogą nadawać się do recyklingu. Dzięki recyklingowi i innym formom utylizacji zużytych urządzeń elektrycznych i elektronicznych klient może w znacznym stopniu przyczynić się do ochrony środowiska.

Aby uzyskać informacje o najbliższych punktach zbiórki odpadów, należy skontaktować z miejscowymi władzami.

Niniejsze informacje należy zachować. Kolorystyka i elementy ozdobne mogą różnić się od przedstawionych.

Produkt spełnia wszystkie standardy dotyczące dzieci w wieku minimum 14 lat. Produkt nie jest przeznaczony dla dzieci poniżej 14 roku życia.

www.thrustmaster.com



THRUSTMASTER®

WSPARCIE TECHNICZNE

<http://support.thrustmaster.com>

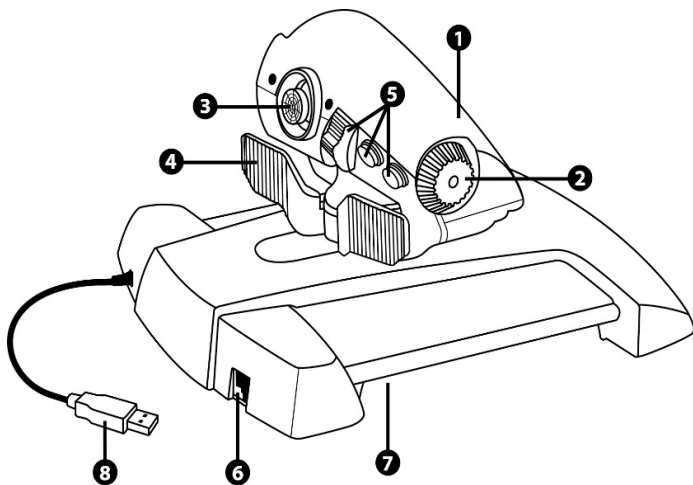


TWCS

Throttle

دليل المستخدم

المواصفات الفنية



محور الصمام الخانق
محور الهوائي
عصا صغيرة ذات محاور مزودة
بزر ضغط
محاور المفتاح الرداد

14 زر للإجراءات
موصل موجّه من النوع TFRP
برغي ضبط الاحتكاك
موصل USB

تعليمات الإعداد للكمبيوتر الشخصي

1. انتقل إلى <https://support.thrustmaster.com/>. حدد أذرع التوجيه / TWCS Throttle، ثم حدد برامج التشغيل. قم بتنزيل وتثبيت برنامج التشغيل على الكمبيوتر الشخصي مع واجهته القائمة على لوحة التحكم بنظام التشغيل Windows.

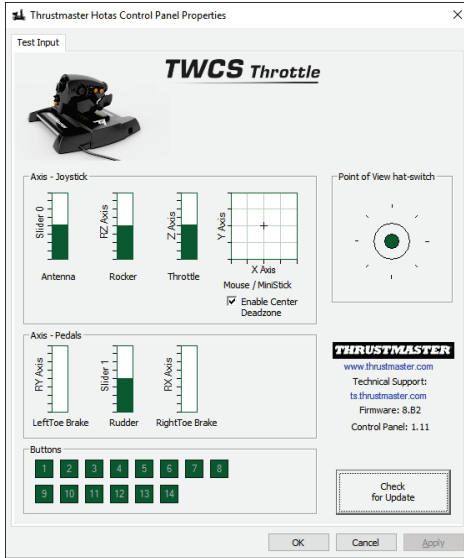
2. بعد تثبيت برنامج التشغيل على الكمبيوتر الشخصي، وصل موصل USB في أحد منافذ USB بالكمبيوتر الشخصي لديك.

3. للوصول إلى لوحة التحكم، حدد:

بدء التشغيل / التطبيقات / Thrustmaster / لوحة التحكم أو بدء التشغيل / لوحة التحكم (في نظام التشغيل Windows® 10 / 8.1 / 8) / بدء التشغيل / جميع البرامج / Thrustmaster / لوحة التحكم أو بدء التشغيل / لوحة التحكم (في نظام التشغيل Windows® 7 / Vista)

يظهر مربع الحوار **وحدات التحكم باللعبة** مع الحالة كإضافة. يظهر الجهاز تحت اسم **TWCS Throttle**.

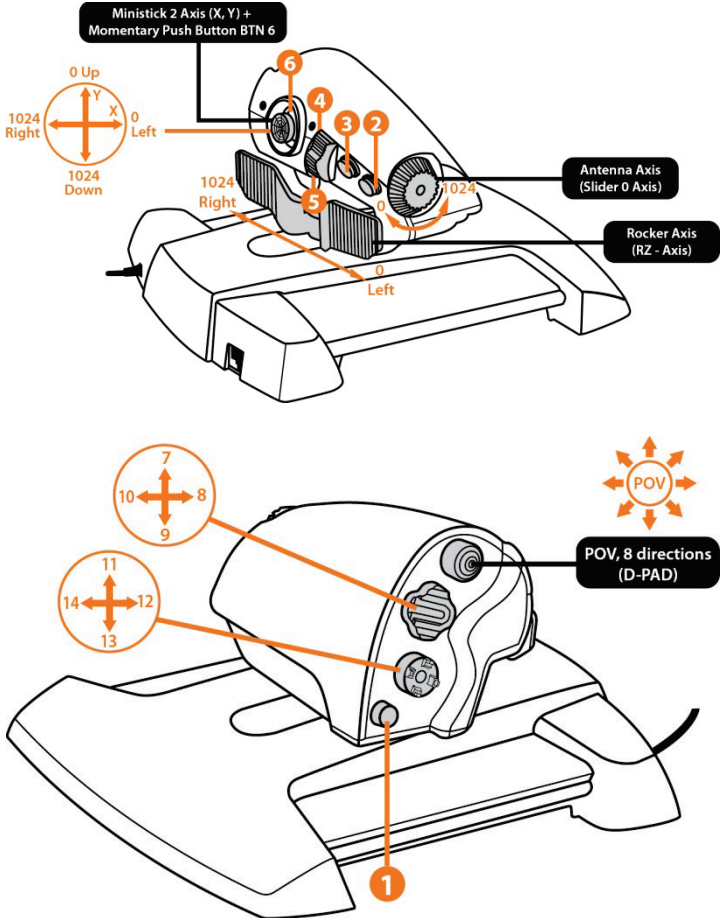
4. في مربع الحوار **وحدات التحكم باللعبة**، حدد خصائص لاختبار جميع الوظائف وعرضها.

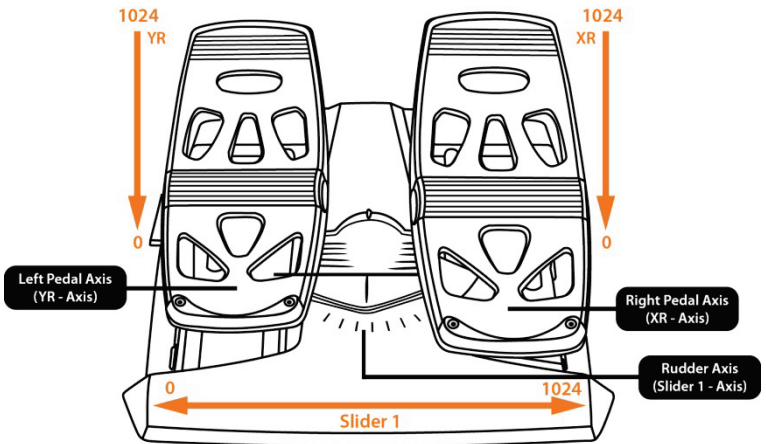
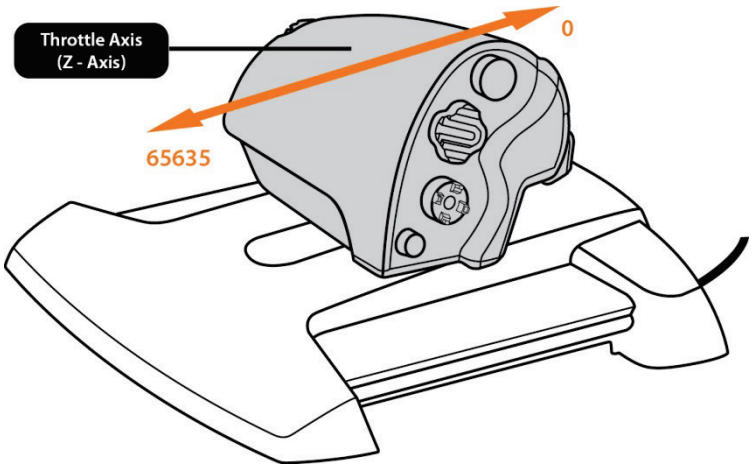


ملاحظة: تتيح علامة التبويب Enable Center Deadzone لك تنشيط أو إلغاء تنشيط المنطقة الهامدة المركزية لمحاور العصا الصغيرة. يتم حفظ التحديد الذي تقوم به تلقائيًا في ذاكرة TWCS الداخلية.

أنت الآن جاهز للعب!

تعيين الأزرار الأربعة عشر (14) والمحاور الثمانية (8)





تركيب موصل الموجه TFRP على TWCS THROTTLE

يتميز TWCS throttle بوجود 8 محاور، بما فيها 3 محاور مخصصة لدواسات الموجه TFRP.

تتصل دواسات الموجه TFRP مباشرة بجهاز TWCS Throttle.

1. وصل الموصل الذكر RJ12 لدواسات الموجه بالموصل الأنثى RJ12 الموجود على الجزء الخلفي من TWCS Throttle.

2. وصل موصل USB لجهاز TWCS Throttle بأحد منافذ USB بالكمبيوتر الشخصي لديك.

ملاحظات هامة تتعلق بالمعايرة التلقائية للمحور:

- اترك دائماً محور الموجه متمركزاً عند توصيل مجموعة دواسات TFRP بجهاز Throttle TWCS. لا تُرَح قدميك على الدواسات.
- تقوم المحاور الثلاثة (3) لدواسات الموجه بالمعايرة الذاتية بعد بضع حركات وعند الوصول إلى عمليات التوقف الطبيعية لمحور الموجه وإلى محوري المكبح التفاضلي.

برنامج البرمجة المتقدم T.A.R.G.E.T (Thrustmaster Advanced pRogramming Graphical EdiTor)

انتقل إلى <https://support.thrustmaster.com>. حدد أذرع التوجيه /
TWCS Throttle، ثم حدد البرنامج. قم بتنزيل وتثبيت برنامج البرمجة المتقدم
T.A.R.G.E.T

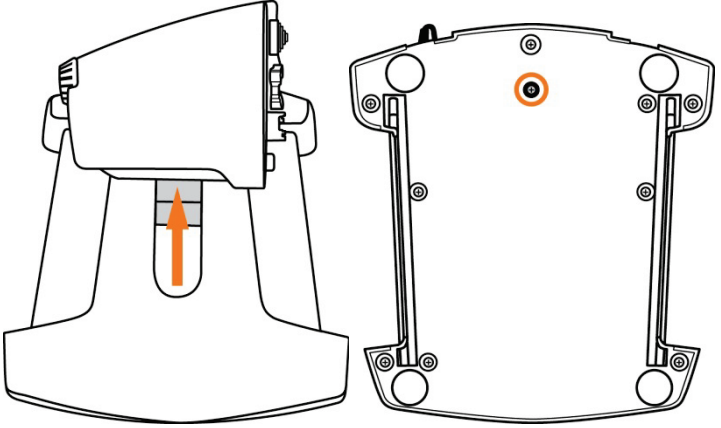
المواصفات الأساسية لبرنامج T.A.R.G.E.T

- تكوينات متعددة للمحور.
- مستويات برمجة متعددة: أساسية ومتقدمة ونصية.
- عناصر تحكم في "السحب والإفلات".
- القدرة على دمج TWCS Throttle مع أذرع التوجيه Thrustmaster الأخرى (HOTAS Cougar، HOTAS Warthog، T.16000M، MFD Cougar Pack، المتوافقة أيضًا مع T.A.R.G.E.T)، مما يتيح التعرف على وحدات التحكم كجهاز USB واحد.
- الوصول إلى الأشكال المتقدمة التي ابتكرها مجتمع Thrustmaster.

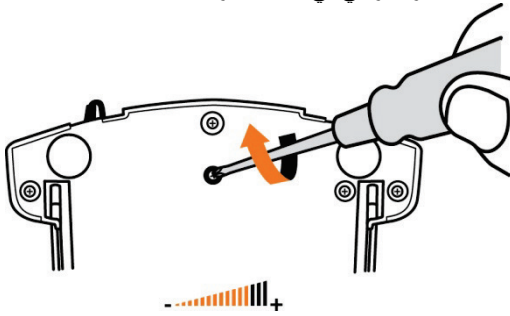


ضبط الاحتكاك

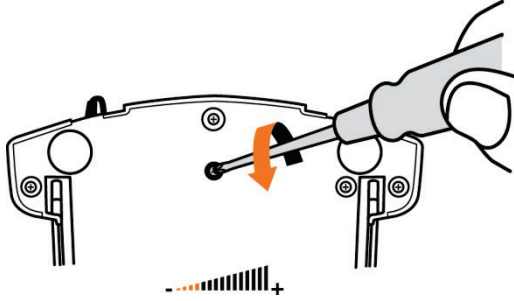
- ادفع محور الخانق إلى أقصى وضع له، ثم أدر TWCS Throttle لأعلى للوصول إلى برغي ضبط الاحتكاك.



- لزيادة الاحتكاك، أدر البرغي في اتجاه عقارب الساعة.



- لتقليل الاحتكاك، أدر البرغي في اتجاه عكس عقارب الساعة.



- لا تتبالغ في ربط برغي الضبط، حيث قد يتسبب ذلك في حدوث تلف بنظام الاحتكاك. وتوقف عن تدوير البرغي بمجرد الشعور بأي مقاومة.
- لا تُرخي برغي الضبط كليًا، حيث أنه قد يسقط داخل المبيت الداخلي لجهاز .TWCS Throttle.

استكشاف الأخطاء وإصلاحها وتحذير

- لا يعمل TWCS Throttle بشكل صحيح أو يبدو أنه قد تم معيارته بشكل خاطئ.
 - أوقف تشغيل الكمبيوتر الشخصي، وافصل موصل USB لجهاز TWCS Throttle من القابس، ثم أعد توصيله؛ وشغل الكمبيوتر (أو وحدة التحكم بالألعاب)، ثم أعد تشغيل اللعبة.
 - عند توصيل موصل USB لجهاز TWCS Throttle، اترك دائماً محور الموجه في وضع مركزي. لا تُرح قدميك على الدواسات.
- لا يمكنني تكوين TWCS Throttle لدي.
 - من خيارات اللعبة / وحدة التحكم / قائمة الخائق أو ذراع التوجيه، حدد التكوين المناسب أو خيارات التكوين الكامل لوحدة التحكم.
 - يرجى مراجعة دليل مستخدم اللعبة لديك أو التعليمات عبر الإنترنت للحصول على مزيد من المعلومات.
 - استخدم برنامج T.A.R.G.E.T (Thrustmaster Advanced pRogramming Graphical EdiTor).
- جهاز TWCS Throttle لدي شديد الحساسية أو أنه غير حساس بما يكفي.
 - يقوم محور TWCS Throttle بالمعايرة الذاتية بعد عدة حركات أو عند الوصول إلى عمليات التوقف الطبيعية للمحاور.
 - من خيارات اللعبة / وحدة التحكم / قائمة الخائق أو ذراع التوجيه، اضبط حساسية وحدة التحكم والمناطق الهامة، إذا توفر ذلك.
 - استخدم برنامج T.A.R.G.E.T (Thrustmaster Advanced pRogramming Graphical EdiTor).

معلومات ضمان المستهلك

تضمن شركة Guillemot Corporation S.A، العالمية (المشار إليها فيما بعد باسم "Guillemot") ومقرها الرئيسي في Place du Granier, B.P. 97143, 35571 Chantepie, France، للمستهلك أن يكون منتج Thrustmaster هذا خاليًا من عيوب المواد وعيوب التصنيع، طوال مدة فترة الضمان التي تتوافق مع الفترة المحددة التي يمكن خلالها المطالبة بالمطابقة لاسترداد قيمة هذا المنتج أو استبداله. في دول الاتحاد الأوروبي، يسري هذا لمدة (2) عامين من تاريخ استلام المنتج Thrustmaster. وفي دول أخرى، تتوافق فترة الضمان مع الفترة المحددة للمطالبة بمطابقة المنتج Thrustmaster وفقًا للقوانين المعمول بها في الدولة التي كان يقطن بها المستهلك عند تاريخ شراء المنتج Thrustmaster (في حالة عدم المطالبة في الدولة المعنية، ستكون فترة الضمان عام (1) واحد من تاريخ الشراء الأصلي للمنتج (Thrustmaster)).

مع عدم الإخلال بما تقدم، يشمل الضمان البطاريات القابلة لإعادة الشحن لمدة ستة (6) أشهر من تاريخ البيع الأصلي. وإذا ظهر أن المنتج معيَّبًا خلال فترة الضمان، فقتل على الفور بالدعم الفني الذي سيرشدك إلى الإجراءات التي يجب أن تتبناها. وإذا تم التأكد من وجود العيب، فيجب إعادة المنتج إلى مكان شرائه (أو أي موقع آخر يشير إليه الدعم الفني). وفي سياق هذا الضمان، يجب استبدال المنتج المعيب الخاص بالمستهلك أو إصلاحه، وذلك حسب اختيار الدعم الفني. إذا خضع منتج Thrustmaster، في خلال فترة الضمان، لأي عملية إصلاح، فإن أي فترة يكون المنتج خلالها خارج الخدمة وبعد أدنى سبعة (7) أيام سوف تضاف إلى فترة الضمان المتبقية (تبدأ هذه الفترة من تاريخ طلب العميل للتدخل أو من تاريخ تقديم المنتج المذكور للإصلاح، إذا كان تاريخ تقديم المنتج للإصلاح لاحقًا لتاريخ طلب التدخل). تقتصر المسؤولية الكاملة لشركة Guillemot وفروعها (بما في ذلك الأضرار التبعية) على إصلاح المنتج Thrustmaster أو استبداله، وذلك عندما يكون هذا جائزًا بموجب القانون الساري. تخلي شركة Guillemot ومسؤوليتها عن أي ضمانات خاصة بالتجارة أو الملاءمة لغرض معين، وذلك عندما يكون هذا جائزًا بموجب القانون الساري.

لا يسري هذا الضمان: (1) إذا تم تعديل المنتج أو فتحه أو تغييره أو إذا تعرض للتلف نتيجة لاستخدام السيئ أو غير الملائم أو الإهمال أو حادث أو الإهلاك نتيجة الاستعمال العادي، أو أي سبب آخر لا يرتبط بوجود عيب في المواد أو التصنيع (بما في ذلك، على سبيل المثال لا الحصر، تجميع منتج Thrustmaster بواسطة أي عنصر غير مناسب، بما في ذلك على وجه الخصوص وحدات الإمداد بالطاقة أو البطاريات القابلة لإعادة الشحن أو الشواحن أو أي عناصر أخرى لا يتم توزيعها من خلال Guillemot لهذا المنتج)؛ (2) إذا استخدم المنتج لأي غرض آخر بخلاف الاستخدام المنزلي، بما في ذلك الأغراض المهنية أو التجارية (غرف الألعاب أو التدريب أو المسابقات على سبيل المثال)؛ (3) في حالة عدم الالتزام بالتعليمات المقدمة من قبل الدعم الفني؛ (4) على البرامج، حيث تخضع هذه البرامج لضمان محدد؛ (5) على العناصر الاستهلاكية (العناصر التي يتم استهلاكها خلال فترة عمر المنتج: كالبطاريات غير القابلة لإعادة الاستخدام أو سماعات الرأس أو وسادات الأذن الخاصة بسماعة الرأس)؛ (6) الملحقات (كالكابلات والعلب والحافظات والحقائب وأربطة المعصم)؛ (7) إذا تم بيع المنتج في مزاد علني. هذا الضمان غير قابل للتحويل.

لا يؤثر هذا الضمان على الحقوق القانونية للمستهلك بمقتضى القوانين المطبقة على بيع السلع الاستهلاكية في بلده/بلدها.

شروط الضمان الأخرى

خلال فترة الضمان، لن توفر Guillemot، من حيث المبدأ، أي قطع غيار، حيث أن الدعم الفني هو الطرف الوحيد المخول بفتح وأو إصلاح أي منتج من Thrustmaster (باستثناء أي إجراءات إصلاح يطلب الدعم الفني إجراؤها بواسطة العميل، عن طريق تعليمات مكتوبة - على سبيل المثال، نظرًا لبساطة عملة الإصلاح وعدم سربيتها - وتزويد العميل بقطعة (قطع) الغيار المطلوبة، حيثما أمكن ذلك.

لمقتضى المجالات الإبداعية ولحماية أسرار المعرفة الفنية والأسرار التجارية، لن توفر Guillemot، من حيث المبدأ، أي إشعارات للإصلاح أو قطع غيار لأي منتج Thrustmaster انتهت فترة الضمان الخاصة به.

في الولايات المتحدة الأمريكية وكندا، يقتصر هذا الضمان على الآلية الداخلية للمنتج والغطاء الخارجي له. لا تتحمل شركة Guillemot أو شركتها التابعة بأي حال من الأحوال مسؤولية أي جهة أخرى عن أي أضرار تبعية أو عرضية ناتجة عن خرق للضمانات الصريحة أو الضمنية. لا تسمح بعض الولايات/المقاطعات بتحديد مدة الضمان الضمني أو الاستثناء أو تحديد المسؤولية عن الأضرار التبعية أو العرضية، ولذلك فقد لا تسري عليك الحدود أو الاستثناءات الواردة أعلاه. يمنحك هذا الضمان حقوقًا قانونية معينة، وقد تتمتع أيضًا بحقوق أخرى تختلف من ولاية لآخرى أو من مقاطعة لآخرى.

المسؤولية

تخلي شركة Guillemot Corporation S.A. (المشار إليها فيما بعد باسم "Guillemot") وفروعها مسؤوليتها كاملة عن أي أضرار تنتج عن حالة أو أكثر من الحالات التالية، إذا كان هذا جائزاً بموجب القانون الساري: (1) تعديل المنتج أو فتحه أو تغييره؛ (2) عدم الالتزام بتعليمات المجموعة؛ (3) الاستخدام السيئ أو غير الملائم أو الإهمال أو التعرض لحادث (تصادم، على سبيل المثال)؛ (4) الإهلاك الناتج عن الاستعمال العادي؛ (5) إذا استخدم المنتج لأي غرض آخر بخلاف الاستخدام المنزلي، بما في ذلك الأغراض المهنية أو التجارية (غرف الألعاب أو التدريب أو المسابقات على سبيل المثال). تخلي شركة Guillemot وفروعها كافة مسؤوليتها عن أي أضرار لا ترتبط بعيب في المواد أو التصنيع يتعلق بالمنتج (متضمناً، على سبيل المثال لا الحصر، أي أضرار تحدث بشكل مباشر أو غير مباشر بسبب أي برنامج أو عن طريق دمج منتج Thrustmaster مع أي عنصر غير مناسب، بما في ذلك على وجه الخصوص وحدات الإمداد بالطاقة أو البطاريات القابلة لإعادة الشحن أو الشواحن أو أي عناصر أخرى لا يتم توريدها من خلال Guillemot لهذا المنتج)، إذا كان هذا جائزاً بموجب القانون الساري.

حقوق النشر

© 2016 Guillemot Corporation S.A. - كافة الحقوق محفوظة. العلامة Thrustmaster® هي علامة تجارية مسجلة لشركة Guillemot Corporation S.A. والعلامة Windows® هي علامة تجارية مسجلة لشركة Microsoft Corporation في الولايات المتحدة و/أو في بلدان أخرى. كافة العلامات التجارية الأخرى مملوكة لأصحابها المعنيين. الرسوم التوضيحية غير ملزمة. وتخضع المحتويات والتصميمات والمواصفات للتغيير دون إشعار وقد تختلف من بلد إلى آخر. صنع في الصين.

توصيات حماية البيئة

عند انتهاء العمر التشغيلي لهذا المنتج، يجب عدم التخلص منه مع النفايات المنزلية العادية لكن يجب إلقاؤه في نقطة تجميع خاصة بالتخلص من نفايات المعدات الكهربائية والإلكترونية لإعادة التدوير. ويتم التأكيد على هذا من خلال الرمز الموجود على المنتج أو دليل المستخدم أو الغلاف. يمكن إعادة تدوير المواد بناءً على خصائصها. ومن خلال إعادة التدوير والأشكال الأخرى لمعالجة نفايات المعدات الكهربائية والإلكترونية يمكنك المساهمة بشكل كبير في المساعدة في حماية البيئة. يرجى الاتصال بالسلطات المحلية للحصول على معلومات عن أقرب نقطة تجميع إليك.



احتفظ بهذه المعلومات. قد تختلف الألوان والزخارف.

هذا المنتج متوافق مع كافة المعايير المتعلقة بالأطفال من سن 14 عاماً وأكثر. هذا المنتج غير مناسب للاستخدام بواسطة الأطفال أقل من 14 سنة.

www.thrustmaster.com



THRUSTMASTER®

الدعم الفني

<https://support.thrustmaster.com>

