



Quick Installation Guide

Wall Plate Access Point



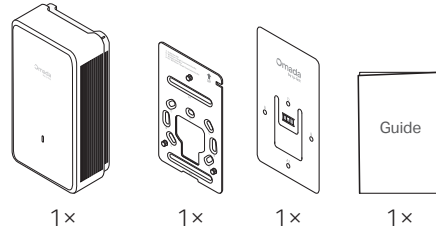
Scan for EAP Start Guide

Note: EAP775-Wall is used as an example throughout the guide. Images may differ from your actual product.

©2025 TP-Link 7100002261 REV1.0.1

Package Contents

EAP with Paintable Cover



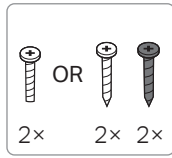
1x

1x

1x

Guide

1x

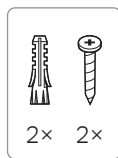


2x

OR

2x

2x



2x

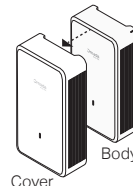
2x



1x

Notes:

- Accessories may vary by region and model.
- If you want to paint the cover, remove it from the EAP body before painting.
- To ensure product safety, please use the product with the cover installed.



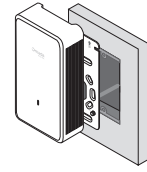
Cover

Body

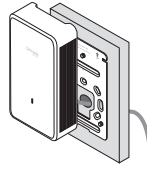
Installation

Note: This equipment shall be installed at a height of less than 2 meters.

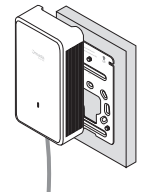
Option 1



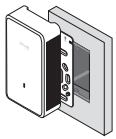
Option 2



Option 3



Option 1

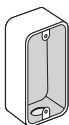


Note: To ensure product safety, please use the product with the cover installed.

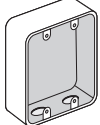
1

Choose the accessory screws that fit your junction box.

Compatible wall junctions:



Single Gang US



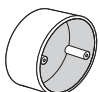
Dual Gang US



Octagon



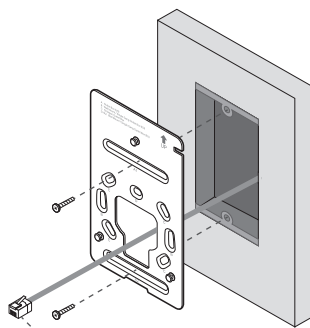
86 mm



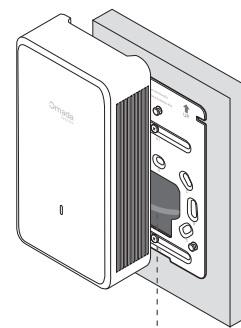
Standard EU

Note: For simplicity, this guide uses a Single Gang US wall junction box for demonstration.

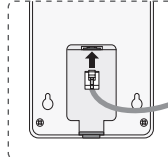
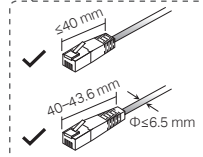
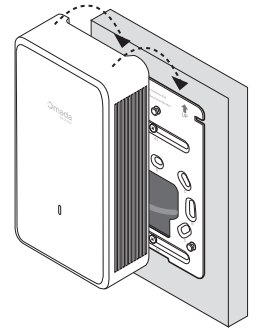
2



3

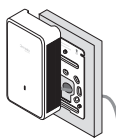


4



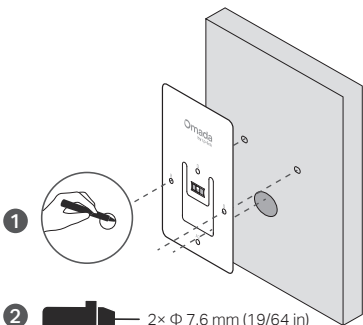
Note: Reinforced or irregularly-designed network cables may not support this cable routing option.

Option 2



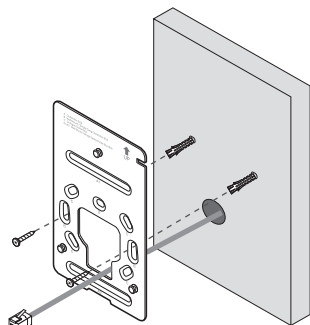
Note: To ensure product safety, please use the product with the cover installed.

1

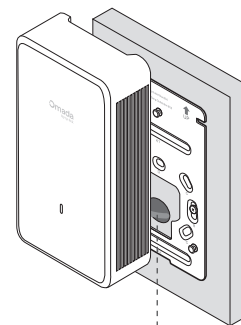


2 × Φ 7.6 mm (19/64 in)
1 × Φ 25 mm (63/64 in)

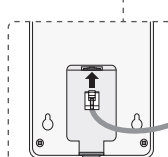
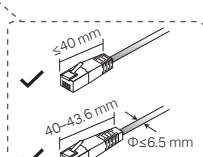
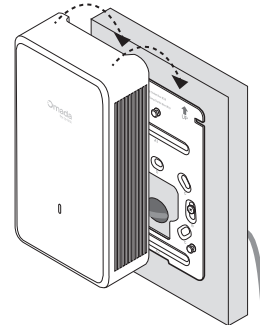
2



3

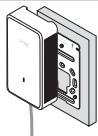


4



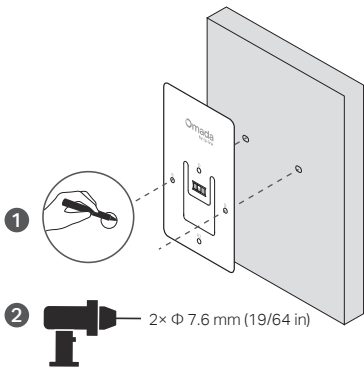
Note: Reinforced or irregularly-designed network cables may not support this cable routing option.

Option 3

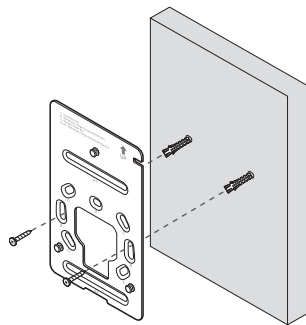


Note: To ensure product safety, please use the product with the cover installed.

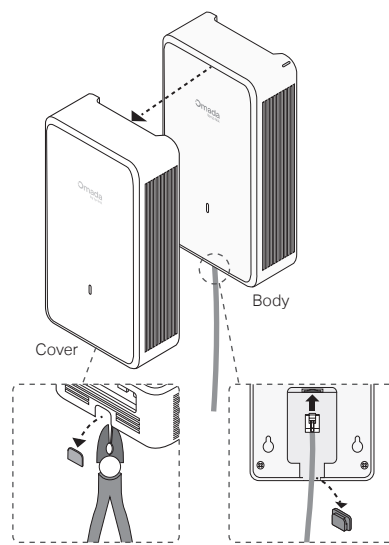
1



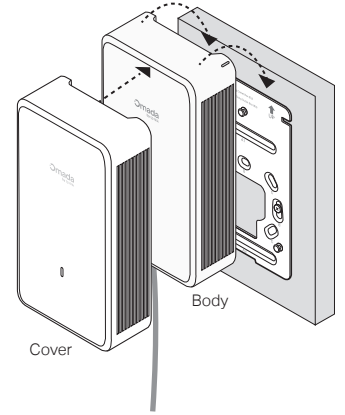
2



3



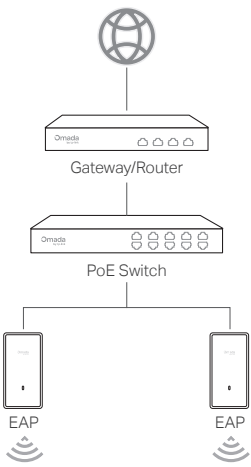
4



Configuration

Option 1: Standalone Mode

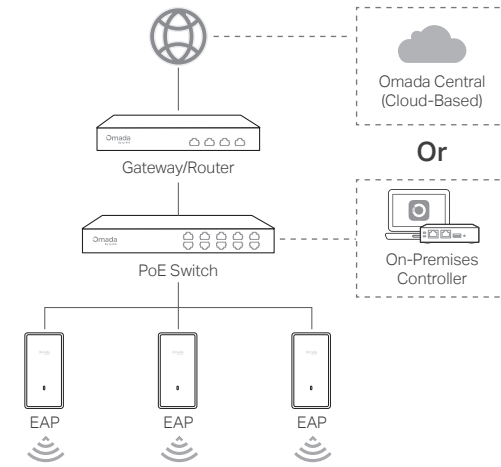
Configure and manage each EAP on its standalone page.



Scan for Standalone Start Guide

Option 2: Controller Mode

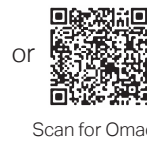
Configure and manage EAPs (and other Omada devices) centrally with an Omada Controller.



Scan for Controller Start Guide

Omada App

With the TP-Link Omada app, you can access and manage your Omada devices at a local site or remotely with a tap of your phone.



Scan for Omada



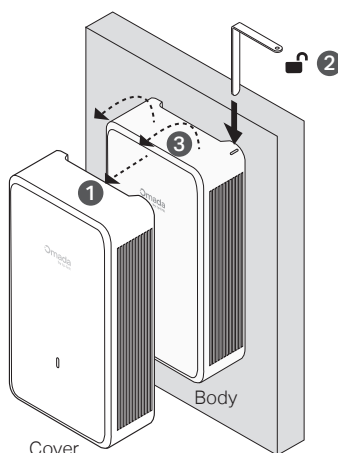
Omada

More Configurations

For more configurations, refer to the User Guides of the Omada Controller and Omada Access Points at: <https://support.omadanetworks.com/document/>

Appendix

The EAP will be locked after installed. To uninstall, remove the cover and unlock with the provided L-Key.



Safety Information

- Keep the device away from water, fire, humidity or hot environments.
- Do not attempt to disassemble, repair, or modify the device. If you need service, please contact us.
- Do not use the device where wireless devices are not allowed.
- This device can be powered only by equipments that comply with Power Source Class 2 (PS2) or Limited Power Source (LPS) defined in the standard of IEC 62368-1.
- The PoE ports shall not be used to charge lithium batteries or devices supplied by lithium batteries.

TP-Link hereby declares that the Access Point is in compliance with the essential requirements and other relevant provisions of directives 2014/53/EU, 2011/65/EU and (EU) 2015/863.

The original EU Declaration of Conformity may be found at <https://www.tp-link.com/en/support/ce/>

TP-Link hereby declares that the Access Point is in compliance with the essential requirements and other relevant provisions of the Radio Equipment Regulations 2017.

The original UK Declaration of Conformity may be found at <https://www.tp-link.com/support/ukca/>

More Resources

Main Site https://www.omadanetworks.com/
Video Center https://support.omadanetworks.com/video/
Documents https://support.omadanetworks.com/document/
Product Support https://support.omadanetworks.com/product/
Technical Support https://support.omadanetworks.com/contact-support/

Warranty

For details on the warranty period, policy, and procedures, visit <https://support.omadanetworks.com/warranty-services/>.

Support

For technical support, user guides, and other information, please visit <https://support.omadanetworks.com/>, or simply scan the QR code.

