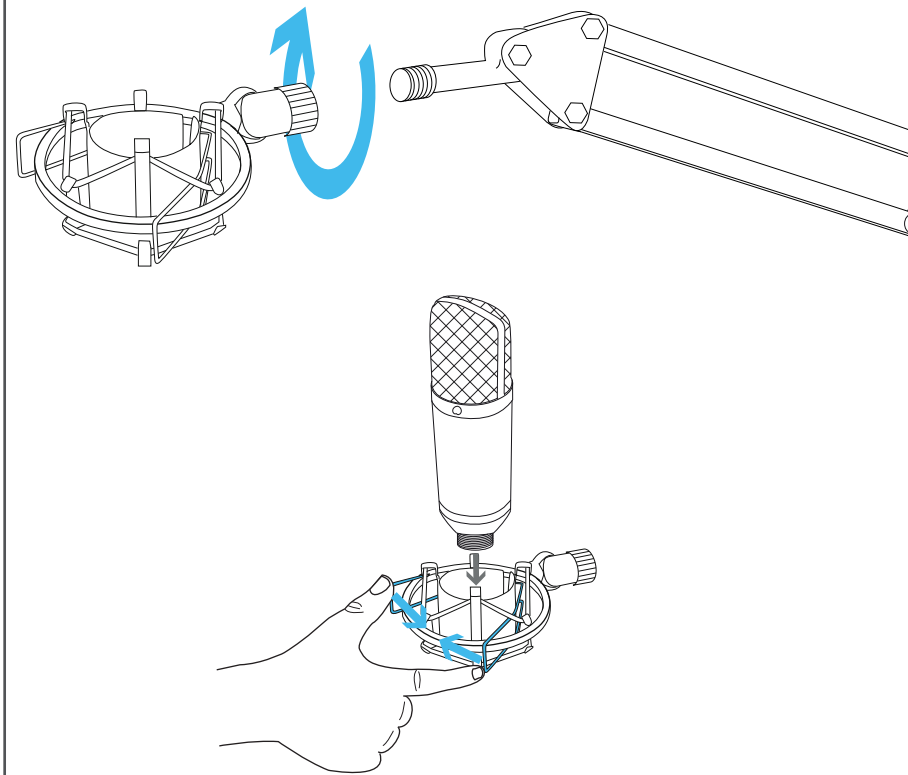
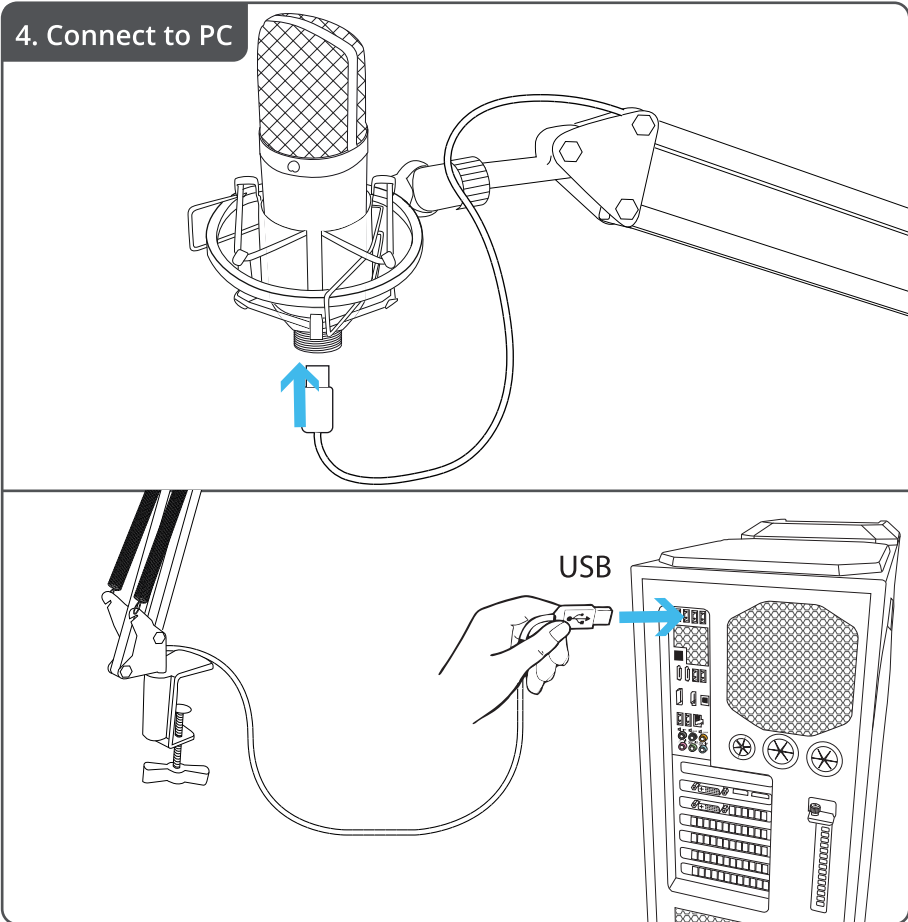


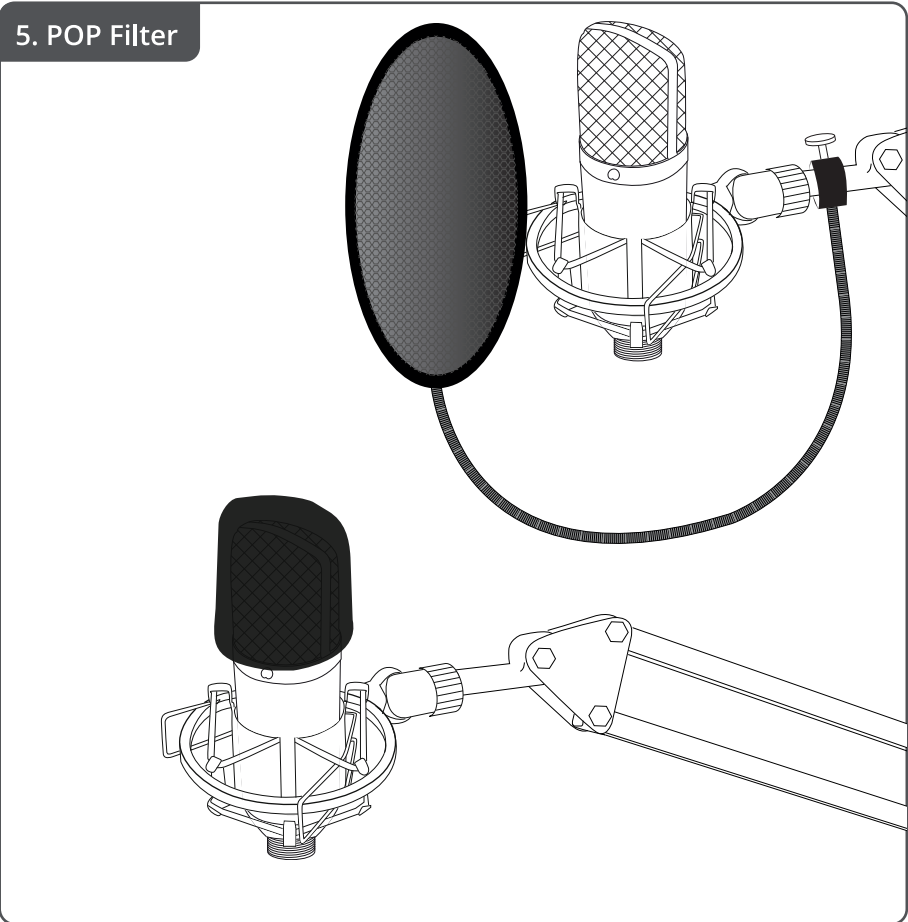
3. Shock Mount



4. Connect to PC



5. POP Filter



6. Microphone Direction

