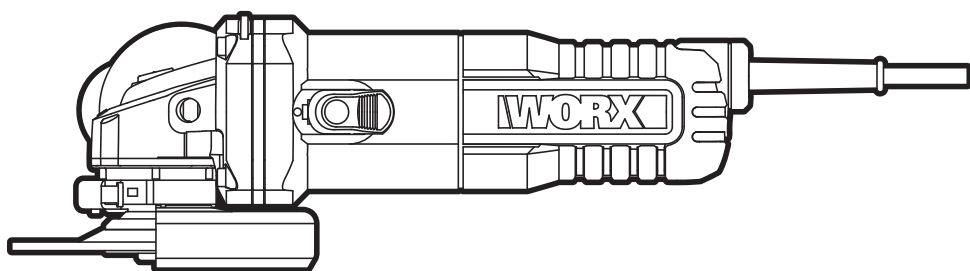


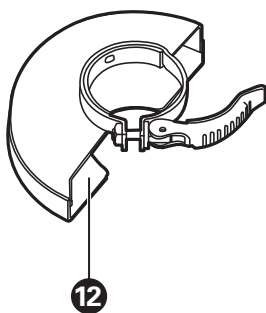
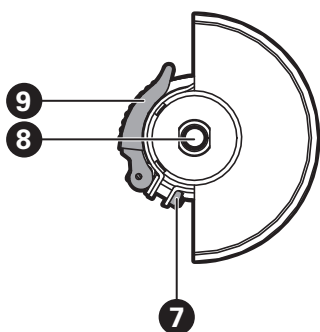
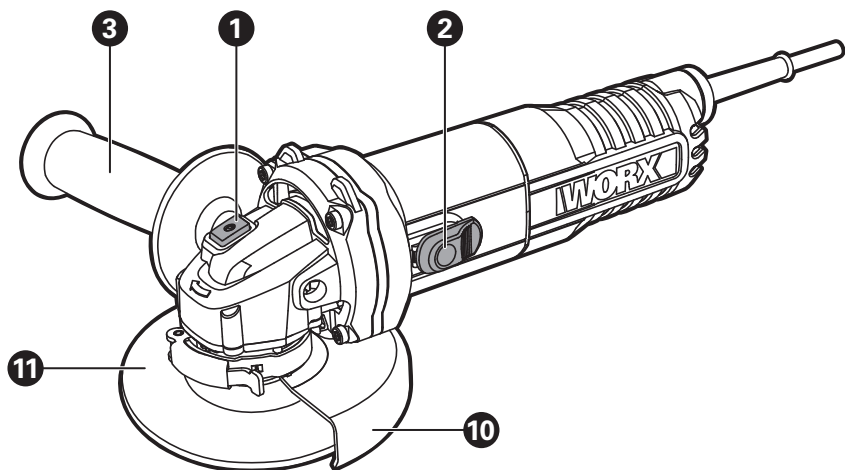
WORX

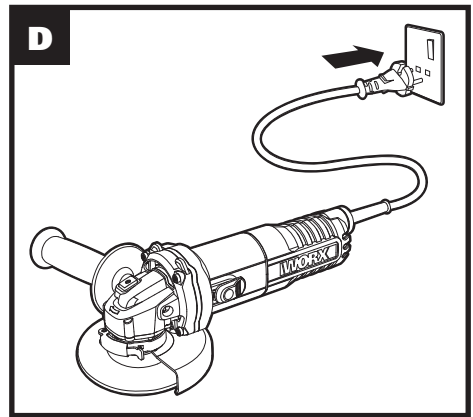
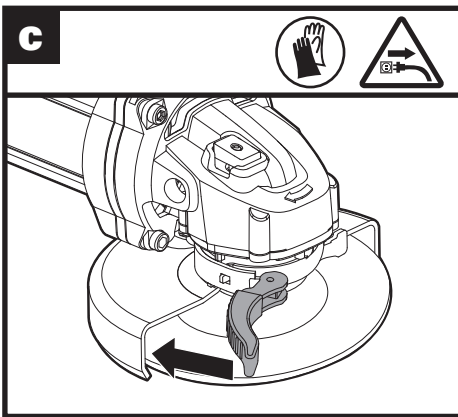
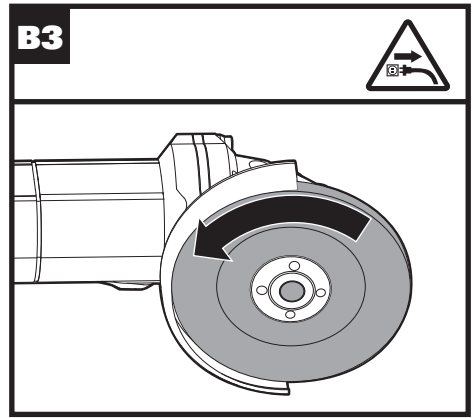
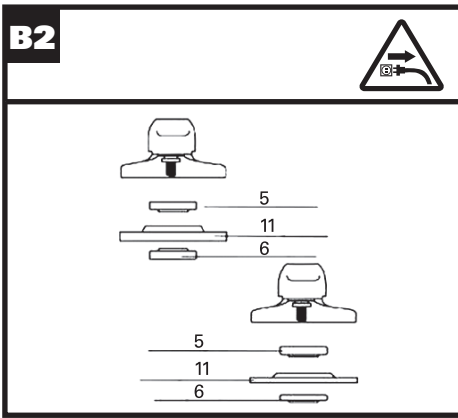
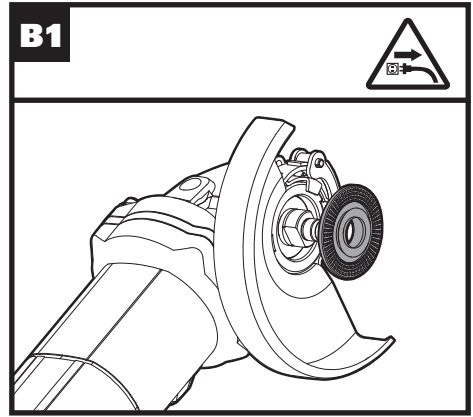
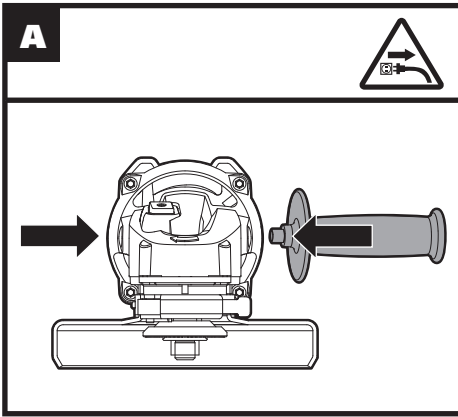


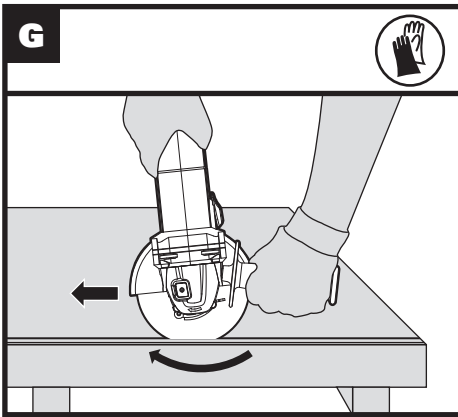
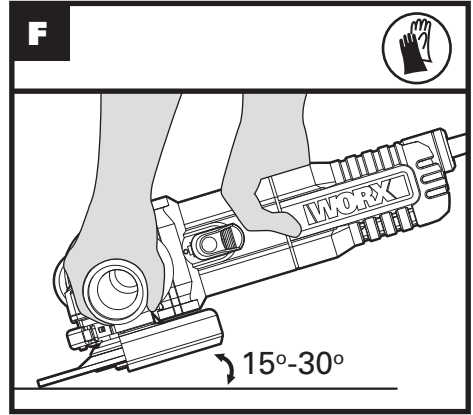
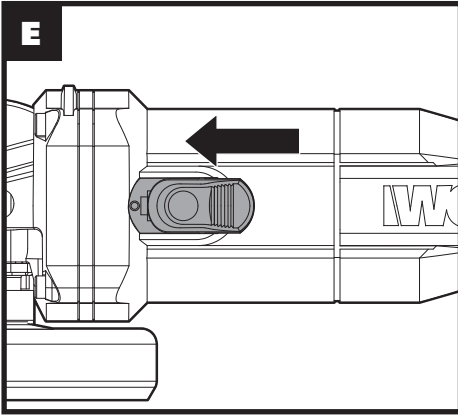
Angle Grinder	EN	P06
Winkelschleifer	D	P13
Meuleuse d'angle	F	P20
Smerigliatrice angolare	I	P26
Amoladora angular	ES	P32
Haakse slijpmachine	NL	P38
Szlifierka kątowa	PL	P44
Kézi sarokcsiszoló gép	HU	P50
Unghi polizor	RO	P56
Úhlová bruska	CZ	P62
Uhlová brúska	SK	P68
Rebarbadora angular	PT	P74
Vinkelslip	SV	P80
Kotni brusilnik	SL	P86

WX710 WX711 WX712

Original instructions	EN
Originalbetriebsanleitung	D
Notice originale	F
Istruzioni originali	I
Manual original	ES
Oorspronkelijke gebruiksaanwijzing	NL
Tłumaczenie oryginalnych instrukcji	PL
Eredeti használati utasítás	HU
Traducerea instrucțiunilor inițiale	RO
Překlad původních pokynů	CZ
Preklad pôvodných pokynov	SK
Manual original	PT
Bruksanvisning i original	SV
Izvirna navodila	SL








1. **SPINDLE LOCK BUTTON**
2. **ON/OFF SWITCH**
3. **ANTI-VIBRATION AUXILIARY HANDLE**
4. **SPANNER**
5. **INNER FLANGE**
6. **OUTER FLANGE**
7. **CLAMP ADJUSTMENT NUT**
8. **SPINDLE**
9. **GUARD CLAMPING LEVER**
10. **WHEEL GUARD FOR GRINDING**
11. **DISC***
12. **WHEEL GUARD FOR CUTTING***


* Not all the accessories illustrated or described are included in standard delivery.

TECHNICAL DATA

Type **WX710 WX711 WX712 (700-749 -designation of machinery, representative of Angle Grinder)**

6	WX710	WX711	WX712
Voltage	220-240V~50/60Hz		
Power input	860W	750W	860W
Rated speed	12,000/min		
Disc Size	100mm	115mm	125mm
Disc bore	16mm	22.2mm	22.2mm
Spindle thread	M10	M14	M14
Protection class	 //		
Machine weight	2.0 kg		


NOISE INFORMATION

	WX710	WX711 WX712
A weighted sound pressure	L_{pA}^* : 92.7dB(A)	L_{pA}^* : 89.7dB(A)
A weighted sound power	L_{wA}^* : 103.7dB(A)	L_{wA}^* : 100.7dB(A)
K_{pA} & K_{wA}	3.0dB(A)	
Wear ear protection when sound pressure is over	80dB(A) 	

VIBRATION INFORMATION

		WX710	WX711 WX712
Vibration total values (triax vector sum) determined according to EN 60745:			
Typical weighted vibration	Vibration emission value (for main handle)	$a_h = 4,071\text{m/s}^2$	$a_h = 5,124\text{m/s}^2$
	Vibration emission value (for auxiliary handle)	$a_h = 4,557\text{m/s}^2$	$a_h = 9,136\text{m/s}^2$
	Uncertainty $K = 1.5\text{m/s}^2$		

The declared vibration total value may be used for comparing one tool with another, and may also be used in a preliminary assessment of exposure.

 **WARNING:** The vibration emission value during actual use of the power tool can differ from the declared value depending on the ways in which the tool is used dependant on the following examples and other variations on how the tool is used:

How the tool is used and the materials being cut.


The tool being in good condition and well maintained

The use the correct accessory for the tool and ensuring it is sharp and in good condition.

The tightness of the grip on the handles and if any anti vibration accessories are used.

And the tool is being used as intended by its design and these instructions.

This tool may cause hand-arm vibration syndrome if its use is not adequately managed.

 **WARNING!** To be accurate, an estimation of exposure level in the actual conditions of use should also take account of all parts of the operating cycle such as the times when the tool is switched off and when it is running idle but not actually doing the job. This may significantly reduce the exposure level over the total working period.

Help to minimize your vibration exposure risk.

Maintain this tool in accordance with these instructions and keep well lubricated (where appropriate)

If the tool is to be used regularly then invest in anti vibration accessories.

Avoid using tools in temperatures of 10°C or less

Plan your work schedule to spread any high vibration tool use across a number of days.

ACCESSORIES

	WX710	WX711	WX712
Spanner		1	
Metal grinding disc		1	
Auxiliary handle	1	1	/
Anti-vibration auxiliary handle	/	/	1

We recommend that you purchase your accessories from the same store that sold you the tool. Use good quality accessories marked with a well-known brand name. Choose the type according to the work you intend to undertake. Refer to the accessory packaging for further details. Store personnel can assist you and offer advice.

SAFETY INSTRUCTIONS FOR ALL OPERATIONS

SAFETY WARNINGS COMMON FOR GRINDING OR ABRASIVE CUTTING-OFF OPERATIONS:

- a) **This power tool is intended to function as a grinder, or cut-off tool. Read all safety warnings, instructions, illustrations and specifications provided with this power tool.** Failure to follow all instructions listed below may result in electric shock, fire and/or serious injury.
- b) **Operations such as sanding, wire brushing, polishing are not recommended to be performed with this power tool.** Operations for which the power tool was not designed may create a hazard and cause personal injury.
- c) **Do not use accessories which are not specifically designed and recommended by the tool manufacturer.** Just because the accessory can be attached to your power tool, it does not assure safe operation.
- d) **The rated speed of the accessory must be at least equal to the maximum speed marked on the power tool.** Accessories running faster than their rated speed can break and fly apart.
- 8 e) **The outside diameter and the thickness of your accessory must be within the capacity rating of your power tool.** Incorrectly sized accessories cannot be adequately guarded or controlled.
- f) **Threaded mounting of accessories must match the grinder spindle thread. For accessories mounted by flanges, the arbour hole of the accessory must fit the locating diameter of the flange.** Accessories that do not match the mounting hardware of the power tool will run out of balance, vibrate excessively and may cause loss of control.
- g) **Do not use a damaged accessory. Before each use inspect the accessory such as abrasive wheels for chips and cracks, backing pad for cracks, tear or excess wear. If power tool or accessory is dropped, inspect for damage or install an undamaged accessory. After inspecting and installing an accessory, position yourself and bystanders away from the plane of the rotating accessory and run the power tool at maximum no-load speed for one minute.** Damaged accessories will normally break apart during this test time.
- h) **Wear personal protective equipment. Depending on application, use face shield, safety goggles or safety glasses.**
- As appropriate, wear dust mask, hearing protectors, gloves and workshop apron capable of stopping small abrasive or workpiece fragments.** The eye protection must be capable of stopping flying debris generated by various operations. The dust mask or respirator must be capable of filtering particles generated by your operation. Prolonged exposure to high intensity noise may cause hearing loss.
- i) **Keep bystanders a safe distance away from work area. Anyone entering the work area must wear personal protective equipment.** Fragments of workpiece or of a broken accessory may fly away and cause injury beyond immediate area of operation.
- j) **Hold power tool by insulated gripping surfaces only, when performing an operation where the cutting accessory may contact hidden wiring or its own cord.** Cutting accessory contacting a "live" wire may make exposed metal parts of the power tool "live" and could give the operator an electric shock
- k) **Position the cord clear of the spinning accessory.** If you lose control, the cord may be cut or snagged and your hand or arm may be pulled into the spinning accessory.
- l) **Never lay the power tool down until the accessory has come to a complete stop.** The spinning accessory may grab the surface and pull the power tool out of your control.
- m) **Do not run the power tool while carrying it at your side.** Accidental contact with the spinning accessory could snag your clothing, pulling the accessory into your body.
- n) **Regularly clean the power tool's air vents.** The motor's fan will draw the dust inside the housing and excessive accumulation of powdered metal may cause electrical hazards.
- o) **Do not operate the power tool near flammable materials.** Sparks could ignite these materials.
- p) **Do not use accessories that require liquid coolants.** Using water or other liquid coolants may result in electrocution or shock.
- q) Your hand must hold on the handle when you are working. Always use the auxiliary handles supplied with the tool. Loss of control can cause personal injury

FURTHER SAFETY INSTRUCTIONS FOR ALL OPERATIONS

Kickback and Related Warnings

Kickback is a sudden reaction to a pinched or snagged rotating wheel, backing pad, brush or any other accessory. Pinching or snagging causes

rapid stalling of the rotating accessory which in turn causes the uncontrolled power tool to be forced in the direction opposite of the accessory's rotation at the point of the binding.

For example, if an abrasive wheel is snagged or pinched by the workpiece, the edge of the wheel that is entering into the pinch point can dig into the surface of the material causing the wheel to climb out or kick out. The wheel may either jump toward or away from the operator, depending on direction of the wheel's movement at the point of pinching. Abrasive wheels may also break under these conditions.

Kickback is the result of power tool misuse and/or incorrect operating procedures or conditions and can be avoided by taking proper precautions as given below.

- a) **Maintain a firm grip on the power tool and position your body and arm to allow you to resist kickback forces. Always use auxiliary handle, if provided, for maximum control over kickback or torque reaction during start-up.** The operator can control torque reactions or kickback forces, if proper precautions are taken.
- b) **Never place your hand near the rotating accessory.** Accessory may kickback over your hand.
- c) **Do not position your body in the area where power tool will move if kickback occurs.** Kickback will propel the tool in direction opposite to the wheel's movement at the point of snagging.
- d) **Use special care when working corners, sharp edges etc. Avoid bouncing and snagging the accessory.** Corners, sharp edges or bouncing have a tendency to snag the rotating accessory and cause loss of control or kickback.
- e) **Do not attach a saw chain woodcarving blade or toothed saw blade.** Such blades create frequent kickback and loss of control.

ADDITIONAL SAFETY INSTRUCTIONS FOR GRINDING AND CUTTING-OFF OPERATIONS **Safety Warnings Specific for Grinding and Abrasive Cutting-Off Operations:**

- a) **Use only wheel types that are recommended for your power tool and the specific guard designed for the selected wheel.** Wheels for which the power tool was not designed cannot be adequately guarded and are unsafe.
- b) **The grinding surface of centre depressed wheels must be mounted below the plane of the guard lip.** An improperly mounted wheel that projects through the plane of the guard lip

cannot be adequately protected.

- c) **The guard must be securely attached to the power tool and positioned for maximum safety, so the least amount of wheel is exposed towards the operator.** The guard helps to protect operator from broken wheel fragments and accidental contact with wheel and sparks that could ignite clothing.
- d) **Wheels must be used only for recommended applications. For example: do not grind with the side of cut-off wheel.** Abrasive cut-off wheels are intended for peripheral grinding, side forces applied to these wheels may cause them to shatter.
- e) **Always use undamaged wheel flanges that are of correct size and shape for your selected wheel.** Proper wheel flanges support the wheel thus reducing the possibility of wheel breakage. Flanges for cut-off wheels may be different from grinding wheel flanges.
- f) **Do not use worn down wheels from larger power tools.** Wheel intended for larger power tool is not suitable for the higher speed of a smaller tool and may burst.

ADDITIONAL SAFETY INSTRUCTIONS FOR CUTTING-OFF OPERATIONS

Additional Safety Warnings Specific for Abrasive Cutting-Off Operations:

- a) **Do not "jam" the cut-off wheel or apply excessive pressure. Do not attempt to make an excessive depth of cut.** Overstressing the wheel increases the loading and susceptibility to twisting or binding of the wheel in the cut and the possibility of kickback or wheel breakage.
- b) **Do not position your body in line with and behind the rotating wheel.** When the wheel, at the point of operation, is moving away from your body, the possible kickback may propel the spinning wheel and the power tool directly at you.
- c) **When wheel is binding or when interrupting a cut for any reason, switch off the power tool and hold the power tool motionless until the wheel comes to a complete stop. Never attempt to remove the cut-off wheel from the cut while the wheel is in motion otherwise kickback may occur.** Investigate and take corrective action to eliminate the cause of wheel binding.
- d) **Do not restart the cutting operation in the workpiece. Let the wheel reach full speed and carefully reenter the cut.** The wheel may bind, walk up or kickback if the power tool is restarted in the workpiece.
- e) **Support panels or any oversized workpiece**

to minimize the risk of wheel pinching and kickback. Large workpieces tend to sag under their own weight. Supports must be placed under the workpiece near the line of cut and near the edge of the workpiece on both sides of the wheel.

- f) Use extra caution when making a “pocket cut” into existing walls or other blind areas.** The protruding wheel may cut gas or water pipes, electrical wiring or objects that can cause kickback.

SYMBOLS

	To reduce the risk of injury, user must read instruction manual
	Double insulation
	Warning
	Wear ear protection
	Wear eye protection
	Wear dust mask
	Wear protective gloves.
	Make sure the tool is unplugged prior to changing accessories.
	Waste electrical products should not be disposed of with household waste. Please recycle where facilities exist. Check with your Local Authority or retailer for recycling advice.

OPERATING INSTRUCTIONS




NOTE: Before using the tool, read the instruction book carefully.

INTENDED USE:

The machine is intended for cutting, roughing and brushing metal and stone materials without using water. For cutting metal, a special protection guard for cutting (accessory) must be used.

ASSEMBLY AND OPERATION

Action	Figure
ASSEMBLY	
Assembling Auxiliary Handle	See Fig. A
Assembling Grinding/Cutting Disc	See Fig. B1, B2, B3
Adjusting wheel guard NOTE: Before any work on the machine itself, pull the mains plug. For work with grinding or cutting discs, the protection guard must be mounted.	See Fig. C
The coded projection on the wheel guard (10) ensures that only a guard that fits the machine type can be mounted. Open the clamping lever (9). Place the wheel guard (10) with coded projection into the coded groove on the spindle of the machine head and rotate to the required position (working position). To fasten the wheel guard (10), close the clamping lever (9). The closed side of the wheel guard (10) must always point to the operator.	
OPERATION	
Plugging in the Power	See Fig. D
Using On/Off Switch	See Fig. E
Hand Grip Areas	See Fig. F
Rough Grinding  WARNING! Never use a cutting disc for roughing.	
Cutting	See Fig. G

WORKING HINTS FOR YOUR ANGLE GRINDER

1. Always start at no load to achieve maximum speed then start working.
2. Do not force the disc to work faster, reducing the Disc's moving speed means longer working time.
3. Always work with a 15-30 angle between disc and workpiece. Larger angles will cut ridges into the workpiece and affect the surface finish. Move the angle grinder across and back and forth over the workpiece.
4. When using a cutting disc never change the cutting angle otherwise you will stall the disc and angle grinder motor or break the disc. When cutting, only cut in the opposite direction to the disc rotation. If you cut in the same direction as the disc rotation the disc may push itself out of the cut slot.
5. When cutting very hard material best results can be achieved with a diamond disc.
6. When using a diamond disc it will become very hot. If this happens you will see a full ring of sparks around the rotating disc. Stop cutting and allow to cool at no load speed for 2-3 minutes.
7. Always ensure the workpiece is firmly held or clamped to prevent movement.

MAINTENANCE

Remove the plug from the socket before carrying out any adjustment, servicing or maintenance.

There are no user serviceable parts in your power tool. Never use water or chemical cleaners to clean your power tool. Wipe clean with a dry cloth. Always store your power tool in a dry place. Keep the motor ventilation slots clean. Keep all working controls free of dust. Occasionally you may see sparks through the ventilation slots. This is normal and will not damage your power tool.

If the supply cord is damaged, it must be replaced by the manufacturer, its service agent or similarly qualified persons in order to avoid a hazard.

TROUBLESHOOTING



Although your new angle grinder is really very simple to operate, if you do experience problems, please check the following:

1. If your grinder will not operate check the power at the main plug.
2. If your grinder wheel wobbles or vibrates, check

that outer flange is tight; check that the wheel is correctly located on the flange plate.

3. If there is any evidence that the wheel is damaged do not use as the damaged wheel may disintegrate, remove it and replace with a new wheel. Dispose of old wheels sensibly.
4. If working on aluminum or a similar soft alloy, the wheel will soon become clogged and will not grind effectively.

ENVIRONMENTAL PROTECTION

 Waste electrical products should not be disposed of with household waste. Please  recycle where facilities exist. Check with your Local Authority or retailer for recycling advice.

PLUG REPLACEMENT (UK & IRELAND ONLY)

If you need to replace the fitted plug then follow the instructions below.

IMPORTANT

The wires in the mains lead are colored in accordance with the following code:

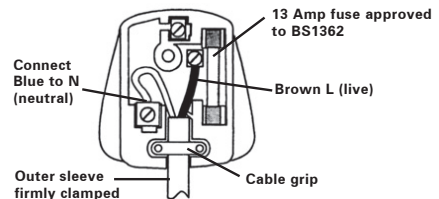
BLUE = NEUTRAL

Brown = Live

As the colors of the wires in the mains lead of this appliance may not correspond with the colored markings identifying the terminals in your plug, proceed as follows. The wire which is colored blue must be connected to the terminal which is marked with N. The wire which is colored brown must be connected to the terminal which is marked with L.

WARNING! Never connect live or neutral wires to the earth terminal of the plug. Only fit an approved 13ABS1363/A plug and the correct rated fuse.

NOTE: If a moulded plug is fitted and has to be removed take great care in disposing of the plug and severed cable, it must be destroyed to prevent engaging into a socket.



DECLARATION OF CONFORMITY

We,
POSITEC Germany GmbH
Konrad-Adenauer-Ufer 37
50668 Köln

Declare that the product,
Description **WORX Angle Grinder**
Type **WX710 WX711 WX712 (700-749**
-designation of machinery, representative of
Angle Grinder)
Function **Peripheral and lateral grinding**

Complies with the following Directives,
2006/42/EC, 2004/108/EC, 2011/65/EU

Standards conform to:

EN 55014-1	EN 55014-2
EN 61000-3-2	EN 61000-3-3
EN 60745-1	EN 60745-2-3

The person authorized to compile the technical file,
Name: Russell Nicholson
Address: Positec Power Tools (Europe)Ltd, PO
Box 152,Leeds,LS10 9DS,UK

12



Suzhou 2015/06/30
Allen Ding
Deputy Chief Engineer, Testing & Certification

1. SPINDELARRETIERUNG

2. EIN/AUS-SCHALTER

3. ANTI-VIBRATIONSHANDGRIFF

4. SCHLÜSSEL

5. INNENFLANSCH

6. GEGENFLANSCH

7. BÜGELSTELLMUTTER

8. WELLE

9. SPANNHEBEL SCHUTZHAUBE

10. SCHLEIF-SCHUTZHAUBE


11. SCHEIBE*

12. SCHUTZHAUBE ZUM TRENNEN*


* Abgebildetes oder beschriebenes Zubehör gehört teilweise nicht zum Lieferumfang.

TECHNISCHE DATEN

Typ **WX710 WX711 WX712 (700-749 - Bezeichnung der Maschine, repräsentiert die Winkelschleifer)**

	WX710	WX711	WX712
Nennspannung	220-240V~50/60Hz		
Nennleistung	860W	750W	860W
Nennzahl	12,000/min		
Scheiben	100mm	115mm	125mm
Scheibenbohrung	16mm	22.2mm	22.2mm
Schleifspindelgewinde	M10	M14	M14
Schutzisolation		 /II	
Gewicht		2.0 kg	

INFORMATIONEN ÜBER LÄRM

	WX710	WX711 WX712
Gewichteter Schalldruck	L_{pA} : 92.7dB(A)	L_{pA} : 89.7dB(A)
Gewichtete Schallleistung	L_{wA} : 103.7dB(A)	L_{wA} : 100.7dB(A)
K_{pA} & K_{wA}	3.0dB(A)	
Tragen Sie bei einem Schalldruck über einen Gehörschutz	80dB(A) 	

INFORMATIONEN ÜBER VIBRATIONEN

		WX710	WX711 WX712
Vibrationsgesamtmesswertermittlung gemäß EN60745:			
Typischer gewichteter Vibrationswert	Vibrationsemissionswert (Hauptgriff)	$a_h = 4,071\text{m/s}^2$	$a_h = 5,124\text{m/s}^2$
	Vibrationsemissionswert (Zusatzgriff)	$a_h = 4,557\text{m/s}^2$	$a_h = 9,136\text{m/s}^2$
	Unsicherheit $K = 1.5\text{m/s}^2$		

Der angegebene Gesamtvibrationswert kann zum Vergleich eines Werkzeugs mit einem anderen und auch zur vorläufigen Expositionsbewertung verwendet werden.

! WARNUNG: Der Vibrationsemissionswert kann während des tatsächlichen Gebrauchs des Elektrowerkzeugs vom angegebenen Wert abweichen, je nachdem, wie das Werkzeug gemäß folgenden Beispielen und weiteren Verwendungsmöglichkeiten eingesetzt wird:
 Die Verwendung des Werkzeugs und die Art, wie die Materialien geschnitten oder angebohrt werden.
 Der Pflege- und Wartungszustand des Werkzeugs.
 Die Verwendung des richtigen Zubehörs und dessen Schärfe und Zustand.
 Die Festigkeit der Handgriffe und die Benutzung von Antivibrationszubehör.
 Der bestimmungsgemäß eund diesen Anweisungen entsprechende Gebrauch.

Wird dieses Werkzeug nicht angemessen gehandhabt, kann es zum Auftreten des Hand-Arm-Vibrationssyndroms kommen.

! WARNUNG: Sie sollten die tatsächlichen Arbeitsabschnitte genau ermitteln, um so den Belastungsgrad abzuschätzen. Auf diese Weise kann der Belastungsgrad während der gesamten Arbeitszeit möglicherweise wesentlich gemindert werden.
 So minimieren Sie das Risiko, dem Sie bei Vibrationen ausgesetzt sind.
 Verwenden Sie **IMMER** scharfe Meißel, Bohrer und Sägeblätter.
 Pflegen Sie dieses Werkzeug den Anweisungen entsprechend und achten Sie stets auf eine gutes Einfetten (wo erforderlich).
 Bei regelmäßiger Verwendung von Elektrowerkzeug sollten Sie in Antivibrationszubehör investieren.
 Vermeiden Sie den Einsatz von Werkzeugen bei Temperaturen von 10°C oder darunter.
 Erstellen Sie einen Arbeitsplan, um die Verwendung von hochvibrierenden Werkzeugen auf mehrere Tage zu verteilen.

ZUBEHÖRTEILE

	WX710	WX711	WX712
Schlüssel		1	
Metall-schleifscheibe		1	
Zusatzhandgriff	1	1	/
Anti-vibrationshandgriff	/	/	1

Wir empfehlen Ihnen, sämtliche Zubehörteile beim selben Fachhändler zu beziehen, bei dem Sie auch Ihr Elektrowerkzeug gekauft haben. Verwenden Sie nur hochwertige Zubehörteile von namhaften Herstellern. Weitere Informationen finden Sie auf der Verpackung der Zubehörteile. Auch Ihr Fachhändler berät Sie gerne.

SICHERHEITSHINWEISE FÜR ALLE ANWENDUNGEN

GEMEINSAME WARNHINWEISE ZUM SCHLEIFEN, TRENNSCHLEIFEN.:

- a) **Dieses Elektrowerkzeug ist zu verwenden als Schleifer, Trennschleifmaschine. Beachten Sie alle Warnhinweise, Anweisungen, Darstellungen und Daten, die Sie mit dem Gerät erhalten.** Wenn Sie die folgenden Anweisungen nicht beachten, kann es zu elektrischem Schlag, Feuer und/oder schweren Verletzungen kommen.
- b) **Dieses Elektrowerkzeug ist nicht geeignet zum Sandpapierschleifen, Arbeiten mit Drahtbürsten, Polieren.** Verwendungen, für die das Elektrowerkzeug nicht vorgesehen ist, können Gefährdungen und Verletzungen verursachen.
- c) **Verwenden Sie kein Zubehör, das vom Hersteller nicht speziell für dieses Elektrowerkzeug vorgesehen und empfohlen wurde.** Nur weil Sie das Zubehör an Ihrem Elektrowerkzeug befestigen können, garantiert das keine sichere Verwendung.
- d) **Die zulässige Drehzahl des Einsatzwerkzeugs muss mindestens so hoch sein wie die auf dem Elektrowerkzeug angegebene Höchstzahl.** Zubehör, das sich schneller als zulässig dreht, kann zerstört werden.
- e) **Außendurchmesser und Dicke des Einsatzwerkzeugs müssen den Maßangaben Ihres Elektrowerkzeugs entsprechen.** Falsch bemessene Einsatzwerkzeuge können nicht ausreichend abgeschirmt oder kontrolliert werden.
- f) **Einsatzwerkzeuge mit Gewindeeinsatz müssen genau auf das Gewinde der Schleifspindel passen. Bei Einsatzwerkzeugen, die mittels Flansch montiert werden, muss der Lochdurchmesser des Einsatzwerkzeuges zum Aufnahmedurchmesser des Flansches passen.** Einsatzwerkzeuge, die nicht genau am Elektrowerkzeug befestigt werden, drehen sich ungleichmäßig, vibrieren sehr stark und können zum Verlust der Kontrolle führen.
- g) **Verwenden Sie keine beschädigten Einsatzwerkzeuge. Kontrollieren Sie vor jeder Verwendung Einsatzwerkzeuge wie Schleifscheiben auf Absplitterungen und Risse, Schleifteller auf Risse, Verschleiß oder starke Abnutzung. Wenn das Elektrowerkzeug oder das Einsatzwerkzeug herunterfällt, überprüfen Sie, ob es beschädigt ist, oder verwenden Sie ein**
- unbeschädigtes Einsatzwerkzeug. Wenn Sie das Einsatzwerkzeug kontrolliert und eingesetzt haben, halten Sie und in der Nähe befindliche Personen sich außerhalb der Ebene des rotierenden Einsatzwerkzeugs und lassen Sie das Gerät eine Minute lang mit Höchstzahl laufen. Beschädigte Einsatzwerkzeuge brechen meist in dieser Testzeit.
- h) **Tragen Sie persönliche Schutzausrüstung. Verwenden Sie je nach Anwendung Vollgesichtsschutz, Augenschutz oder Schutzbrille. Soweit angemessen, tragen Sie Staubmaske, Gehörschutz, Schutzhandschuhe oder Spezialschürze, die kleine Schleif- und Materialpartikel von Ihnen fernhält. Die Augen sollen vor herumfliegenden Fremdkörpern geschützt werden, die bei verschiedenen Anwendung entstehen.** Staub- oder Atemschutzmaske müssen den bei der Anwendung entstehenden Staub filtern. Wenn Sie lange lautem Lärm ausgesetzt sind, können Sie einen Hörverlust erleiden.
- i) **Achten Sie bei anderen Personen auf sicheren Abstand zu Ihrem Arbeitsbereich. Jeder, der den Arbeitsbereich betritt, muss persönliche Schutzausrüstung tragen.** Bruchstücke des Werkstücks oder gebrochener Einsatzwerkzeuge können wegfiegen und Verletzungen auch außerhalb des direkten Arbeitsbereichs verursachen.
- j) **Halten Sie das Gerät nur an den isolierten Griffflächen, wenn Sie Arbeiten ausführen, bei denen das Einsatzwerkzeug verborgene Stromleitungen oder das eigene Netzkabel treffen kann.** Der Kontakt mit einer spannungsführenden Leitung kann auch metallene Gerateteile unter Spannung setzen und zu einem elektrischen Schlag führen.
- k) **Halten Sie das Netzkabel von sich drehenden Einsatzwerkzeugen fern.** Wenn Sie die Kontrolle über das Gerät verlieren, kann das Netzkabel durchtrennt oder erfasst werden und Ihre Hand oder Ihr Arm in das sich drehende Einsatzwerkzeug geraten.
- l) **Legen Sie das Elektrowerkzeug niemals ab, bevor das Einsatzwerkzeug völlig zum Stillstand gekommen ist.** Das sich drehende Einsatzwerkzeug kann in Kontakt mit der Ablagefläche geraten, wodurch Sie die Kontrolle über das Elektrowerkzeug verlieren können.
- m) **Lassen Sie das Elektrowerkzeug nicht laufen, während Sie es tragen.** Ihre Kleidung kann durch zufälligen Kontakt mit dem sich drehenden Einsatzwerkzeug erfasst werden, und

das Einsatzwerkzeug sich in Ihren Körper bohren.

- n) Reinigen Sie regelmäßig die Lüftungsschlitze Ihres Elektrowerkzeugs.** Das Motorgebläse zieht Staub in das Gehäuse, und eine starke Ansammlung von Metallstaub kann elektrische Gefahren verursachen.
- o) Verwenden Sie das Elektrowerkzeug nicht in der Nähe brennbarer Materialien.** Funken können diese Materialien entzünden.
- p) Verwenden Sie keine Einsatzwerkzeuge, die flüssige Kühlmittel erfordern.** Die Verwendung von Wasser oder anderen flüssigen Kühlmitteln kann zu einem elektrischen Schlag führen.
- q) Ihre Hand muss den Griff während der Arbeit festhalten. Verwenden Sie immer die dem Werkzeug mitgelieferten Hilfsgriffe. Kontrollverlust kann Körperverletzungen verursachen.

WEITERE SICHERHEITSHINWEISE FÜR ALLE ANWENDUNGEN

Rückschlag und entsprechende Warnhinweise

Rückschlag ist die plötzliche Reaktion infolge eines hakenden oder blockierten drehenden Einsatzwerkzeugs, wie Schleifscheibe, Schleifteller, Drahtbürste usw. Verhaken oder Blockieren führt zu einem abrupten Stopp des rotierenden Einsatzwerkzeugs. Dadurch wird ein unkontrolliertes Elektrowerkzeug gegen die Drehrichtung des Einsatzwerkzeugs an der Blockierstelle beschleunigt. Wenn z. B. eine Schleifscheibe im Werkstück hakt oder blockiert, kann sich die Kante der Schleifscheibe, die in das Werkstück eintaucht, verfangen und dadurch die Schleifscheibe ausbrechen oder einen Rückschlag verursachen. Die Schleifscheibe bewegt sich dann auf die Bedienperson zu oder von ihr weg, je nach Drehrichtung der Scheibe an der Blockierstelle. Hierbei können Schleifscheiben auch brechen.

Ein Rückschlag ist die Folge eines falschen oder fehlerhaften Gebrauchs des Elektrowerkzeugs. Er kann durch geeignete Vorsichtsmaßnahmen, wie nachfolgend beschrieben, verhindert werden.

- a) Halten Sie das Elektrowerkzeug gut fest und bringen Sie Ihren Körper und Ihre Arme in eine Position, in der Sie die Rückschlagkräfte abfangen können. Verwenden Sie immer den Zusatzgriff, falls vorhanden, um die größtmögliche Kontrolle über Rückschlagkräfte oder Reaktionsmomente beim Hochlauf zu haben.** Die Bedienperson kann durch geeignete Vorsichtsmaßnahmen die Rückschlag- und Reaktionskräfte beherrschen.
- b) Bringen Sie Ihre Hand nie in die Nähe**

sich drehender Einsatzwerkzeuge. Das Einsatzwerkzeug kann sich beim Rückschlag über Ihre Hand bewegen.

- c) Meiden Sie mit Ihrem Körper den Bereich, in den das Elektrowerkzeug bei einem Rückschlag bewegt wird.** Der Rückschlag treibt das Elektrowerkzeug in die Richtung entgegengesetzt zur Bewegung der Schleifscheibe an der Blockierstelle.
- d) Arbeiten Sie besonders vorsichtig im Bereich von Ecken, scharfen Kanten usw.** Verhindern Sie, dass Einsatzwerkzeuge vom Werkstück zurückprallen und verkleben. Das rotierende Einsatzwerkzeug neigt bei Ecken, scharfen Kanten oder wenn es abprallt, dazu, sich zu verkleben. Dies verursacht einen Kontrollverlust oder Rückschlag.
- e) Verwenden Sie kein Ketten- oder gezähntes Sägeblatt.** Solche Einsatzwerkzeuge verursachen häufig einen Rückschlag oder den Verlust der Kontrolle über das Elektrowerkzeug.

ZUSÄTZLICHE SICHERHEITSHINWEISE FÜR SCHLEIF- UND SCHNEID-OFF-OPERATIONEN **Besondere Sicherheitshinweise zum Schleifen und Trennschleifen:**

- a) Verwenden Sie ausschließlich die für Ihr Elektrowerkzeug zugelassenen Schleifkörper und die für diese Schleifkörper vorgesehene Schutzhaube.** Schleifkörper, die nicht für das Elektrowerkzeug vorgesehen sind, können nicht ausreichend abgeschirmt werden und sind unsicher.
- b) Gekröpfte Schleifscheiben müssen so montiert werden, dass ihre Schleiffläche nicht über der Ebene des Schutzhaubenrandes hervorsteht.** Eine unsachgemäß montierte Schleifscheibe, die über die Ebene des Schutzhaubenrandes hinausragt, kann nicht ausreichend abgeschirmt werden.
- c) Die Schutzhaube muss sicher am Elektrowerkzeug angebracht und so eingestellt sein, dass ein Höchstmaß an Sicherheit erreicht wird, d. h. der kleinstmögliche Teil des Schleifkörpers zeigt offen zur Bedienperson.** Die Schutzhaube hilft, die Bedienperson vor Bruchstücken, zufälligem Kontakt mit dem Schleifkörper sowie Funken, die Kleidung entzünden können, zu schützen.
- d) Schleifkörper dürfen nur für die empfohlenen Einsatzmöglichkeiten verwendet werden. Zum Beispiel: Schleifen Sie nie mit der Seitenfläche einer Trennscheibe.** Trennscheiben sind zum Materialabtrag mit der Kante der Scheibe

bestimmt. Seitliche Krafteinwirkung auf diese Schleifkörper kann sie zerbrechen.

e) Verwenden Sie immer unbeschädigte Spanflansche in der richtigen Größe und Form für die von Ihnen gewählte Schleifscheibe. Geeignete Flansche stützen die Schleifscheibe und verringern so die Gefahr eines Schleifscheibenbruchs. Flansche für Trennscheiben können sich von den Flanschen für andere Schleifscheiben unterscheiden.

f) Verwenden Sie keine abgenutzten Schleifscheiben von größeren Elektrowerkzeugen. Schleifscheiben für größere Elektrowerkzeuge sind nicht für die höheren Drehzahlen von kleineren Elektrowerkzeugen ausgelegt und können brechen.

ZUSÄTZLICHE SICHERHEITSHINWEISE FÜR SCHNEID-OFF-OPERATIONEN

Zusätzliche Sicherheitshinweise zum Trennschleifen:

a) Vermeiden Sie ein Blockieren der Trennscheibe oder zu hohen Anpressdruck. Führen Sie keine übermäßig tiefen Schnitte aus. Eine Überlastung der Trennscheibe erhöht deren Beanspruchung und die Anfälligkeit zum Verkanten oder Blockieren und damit die Möglichkeit eines Rückschlags oder Schleifkörperbruchs.

b) Meiden Sie den Bereich vor und hinter der rotierenden Trennscheibe. Wenn Sie die Trennscheibe im Werkstück von sich wegbewegen, kann im Falle eines Rückschlags das Elektrowerkzeug mit der sich drehenden Scheibe direkt auf Sie zugeschleudert werden.

c) Falls die Trennscheibe verklemmt oder Sie die Arbeit unterbrechen, schalten Sie das Gerät aus und halten Sie es ruhig, bis die Scheibe zum Stillstand gekommen ist. Versuchen Sie nie, die noch laufende Trennscheibe aus dem Schnitt zu ziehen, sonst kann ein Rückschlag erfolgen. Ermitteln und beheben Sie die Ursache für das Verklemmen..




d) Schalten Sie das Elektrowerkzeug nicht wieder ein, solange es sich im Werkstück befindet. Lassen Sie die Trennscheibe erst ihre volle Drehzahl erreichen, bevor Sie den Schnitt vorsichtig fortsetzen. Anderenfalls kann die Scheibe verhaken, aus dem Werkstück springen oder einen Rückschlag verursachen.

e) Stützen Sie Platten oder große Werkstücke ab, um das Risiko eines Rückschlags durch eine eingeklemmte Trennscheibe zu vermindern. Große Werkstücke können

sich unter ihrem eigenen Gewicht durchbiegen. Das Werkstück muss auf beiden Seiten abgestützt werden, und sowohl in der Nähe des Trennschnitts als auch an der Kante.

f) Seien Sie besonders vorsichtig bei „Taschenschnitten“ in bestehende Wände oder andere nicht einsehbare Bereiche. Die eintauchende Trennscheibe kann beim Schneiden in Gas- oder Wasserleitungen, elektrische Leitungen oder andere Objekte einen Rückschlag verursachen.

SYMBOLE

	Zur Reduzierung der Verletzungsgefahr bitte die Bedienungsanleitung durchlesen
	Schutzisolation
	WARNUNG!
	Tragen Sie einen Gehörschutz
	Tragen Sie eine Schutzbrille
	Tragen Sie eine Staubmaske
	Tragen Sie Schutzhandschuhe
	Vor dem Auswechseln von Zubehör sicherstellen, dass das Werkzeug von der Stromversorgung getrennt ist.
	Elektroprodukte dürfen nicht mit dem normalen Haushaltsmüll entsorgt werden, sondern sollten nach Möglichkeit zu einer Recyclingstelle gebracht werden. Ihre zuständigen Behörden oder Ihr Fachhändler geben Ihnen hierzu gerne Auskunft.

HINWEISE ZUM BETRIEB




HINWEIS: Lesen Sie das Handbuch vor Inbetriebnahme des Werkzeuges sorgfältig durch.

Bestimmungsgemäßer Gebrauch

Das Elektrowerkzeug ist bestimmt zum Trennen, Schruppen und Bürsten von Metall- und Steinwerkstoffen ohne Verwendung von Wasser. Zum Trennen von Metall muss eine spezielle Schutzhaube zum Trennen (Zubehör) verwendet werden.

MONTAGE UND BEDIENUNG

MASSNAHME	ABBILDUNG
MONTAGE	
VERSTELLBARER HANDGRIFF VORNE	Siehe A
Montage der Schleif-/Trennscheibe	Siehe B1, B2, B3
SCHEIBENSCHUTZ EINSTELLEN HINWEIS: Bevor Sie Arbeiten an der Maschine durchführen, ziehen Sie den Netzstecker heraus. Für Arbeiten mit Schrupp- oder Trennscheiben muss die Schutzhaube montiert sein. Die Kodierklinke an der Schutzhaube (10) stellt sicher, dass nur eine zum Gerätetyp passende Schutzhaube montiert werden kann. Die Klemmschraube (9) eventuell lösen. Die Schutzhaube (9) mit der Kodierklinke in die Nut am Spindelhalbs des Gerätekopfes setzen und in die erforderliche Stellung (Arbeitsposition) drehen. Bei allen Arbeiten muss die geschlossene Seite der Schutzhaube stets zum Bediener zeigen.	Siehe C
BETRIEB	
Anschließen der Stromversorgung	Siehe D
Ein-/Aus-Schalter verwenden	Siehe E
Handgriff-Bereich	Siehe F
Grobschleifen  WARNUNG! Verwenden Sie niemals eine Trennscheibe zum Grobschleifen.	
TRENSCHLEIFEN	Siehe G

TIPPS ZUR ARBEIT MIT IHREM WERKZEUG

1. Starten Sie immer im Leerlauf und lassen Sie die Schleifmaschine erst die volle Drehzahl erreichen, ehe Sie mit dem Arbeiten beginnen.
2. Versuchen Sie nicht, die Materialabtragung durch starkes Drücken auf das Werkzeug zu erhöhen. Ein moderater Druck erhöht die Lebensdauer des Werkzeugs.
3. Der Anstellwinkel zwischen Schleifwerkzeug und Werkstück sollte immer 15-30 Grad betragen. Bei größeren Anstellwinkeln können Riefen entstehen, und die Oberfläche wird uneben.
4. Bewegen Sie den Winkelschleifer gleichmäßig hin und her. Ändern Sie beim Schneiden mit einer Trennscheibe niemals den Schnittwinkel, andernfalls kann das Blatt blockieren oder brechen, oder der Motor bleibt stehen. Wenn Arbeits- und Drehrichtung der Scheibe übereinstimmen, besteht die Gefahr, dass die Scheibe die Maschine aus der Schnittfuge hebt.
5. Diamantscheiben sind für hartes Material gut geeignet.
6. Sie können beim Arbeiten sehr heiß werden, und es kann ein Funkenring um das ganze Werkzeug herum zu sehen sein. Unterbrechen Sie in einem solchen Fall Ihre Arbeit und lassen Sie die Scheibe 2-3 Minuten lang im Leerlauf abkühlen.
7. Das Werkstück muss sicher befestigt oder festgeklemmt werden, damit es nicht verrutschen kann.

WARTUNG

Ziehen Sie grundsätzlich den Netzstecker, bevor Sie Einstell-, Reparatur- oder Wartungstätigkeiten ausführen.

Es enthält keine Teile, die Sie warten müssen. Reinigen Sie Ihr Werkzeug niemals mit Wasser oder chemischen Lösungsmitteln. Wischen Sie es mit einem trockenen Tuch sauber. Lagern Sie Ihr Werkzeug immer an einem trockenen Platz. Sorgen Sie dafür, dass bei staubigen Arbeiten die Lüftungsöffnungen frei sind. Falls es erforderlich sein sollte, den Staub zu entfernen, trennen Sie zuerst das Elektrowerkzeug vom Stromversorgungsnetz. Verwenden Sie nichtmetallische Objekte zum Entfernen von Staub und vermeiden Sie das Beschädigen innerer Teile. Gelegentlich sind durch die Lüftungsschlitze hindurch Funken zu sehen. Dies ist normal und wird Ihr Werkzeug nicht beschädigen. Lassen Sie ein beschädigtes Netzkabel vom Hersteller, von einem Fachhändler oder von einer ähnlich qualifizierten Person austauschen, um eine Gefährdung zu vermeiden.

PROBLEMLÖSUNG

Ihr Winkelschleifer ist leicht zu handhaben. Sollten Sie dennoch Schwierigkeiten haben, überprüfen Sie bitte Folgendes:

1. Wenn die Schleifmaschine nicht funktioniert, überprüfen Sie zunächst, ob der Netzstecker in der Steckdose steckt.
2. Wackelt oder vibriert die Schleifscheibe, prüfen Sie, ob der äußere Flansch fest ist und ob die Scheibe korrekt auf der Flanschplatte aufgebracht ist.
3. Sollte die Scheibe Beschädigungen aufweisen, darf sie nicht mehr verwendet werden. Eine beschädigte Scheibe kann abplatzen. Entfernen Sie sie und ersetzen Sie sie durch ein neues Rad. Achten Sie auf eine ordnungsgemäße Entsorgung der alten Scheibe.
4. Bei Arbeiten mit Aluminium oder anderen weichen Legierungen verstopft die Scheibe schnell und schleift nicht mehr richtig.

UMWELTSCHUTZ



Elektroprodukte dürfen nicht mit dem normalen Haushaltsmüll entsorgt werden, sondern sollten nach Möglichkeit zu einer Recyclingstelle gebracht werden. Ihre zuständigen Behörden oder Ihr Fachhändler geben Ihnen hierzu gerne Auskunft.

ONFORMITÄTSERKLÄRUNG

Wir,
POSITEC Germany GmbH
Konrad-Adenauer-Ufer 37
50668 Köln

Erklären hiermit, dass unser Produkt
Beschreibung **WORX Winkelschleifer**
Typ **WX710 WX711 WX712 (700-749 -**
Bezeichnung der Maschine, repräsentiert die
Winkelschleifer)
Funktionen **Außenflächen und Kanten schleifen**

Den Bestimmungen der folgenden Richtlinien entspricht,

2006/42/EC, 2004/108/EC, 2011/65/EU

Werte nach

EN 55014-1

EN 55014-2

EN 61000-3-2

EN 61000-3-3

EN 60745-1

EN 60745-2-3

Zur Kompilierung der technischen Datei ermächtigte Person,

Name Russell Nicholson

**Anschrift Positec Power Tools (Europe)Ltd,
PO Box 152,Leeds,LS10 9DS,UK**



19

Suzhou 2015/06/30

Allen Ding

Stellvertretender Chefindenieur, Prüfung und
Zertifizierung

1. BOUTON DE BLOCAGE
2. INTERRUPTEUR
3. POIGNÉE AUXILIAIRE ANTIVIBRATIONN
4. CLÉ UNIVERSELLE
5. FLASQUE D'ENTRAÎNEMENT
6. FLASQUE DE SERRAGE
7. ECROU DE BLOCAGE
8. BROCHE PORTE-OUTIL
9. LEVIER DE BLOCAGE DE PROTECTION
10. CARTER DE PROTECTION POUR LE MEULAGE
11. DISQUE ABRASIF*
12. CARTER DE PROTECTION POUR LE TRONÇONNAGE*


* Les accessoires reproduits ou décrits ne sont pas tous compris avec le modèle standard livré.

CARACTÉRISTIQUES TECHNIQUES

Modèle **WX710 WX711 WX712 (700-749 - désignations des pièces, illustration de la Meuleuse d'angle)**

	WX710	WX711	WX712
Tension nominale	220-240V~50/60Hz		
Puissance d'entrée nominale	860W	750W	860W
Vitesse de rotation nominale	12,000/min		
Diamètre max. du disque	100mm	115mm	125mm
Alésage du disque	16mm	22.2mm	22.2mm
Arbre fileté	M10	M14	M14
Double isolation			
Poids	2.0 kg		

INFORMATIONS RELATIVES AU BRUIT

	WX710	WX711 WX712
Niveau de pression acoustique pondéré A	L_{pA} : 92.7dB(A)	L_{pA} : 89.7dB(A)
Niveau de puissance acoustique pondéré A	L_{WA} : 103.7dB(A)	L_{WA} : 100.7dB(A)
K_{pA} & K_{WA}	3.0dB(A)	
Porter des protections auditives lorsque la pression sonore est supérieure à	80dB(A) 	

INFORMATIONS RELATIVES AUX VIBRATIONS

		WX710	WX711 WX712
Valeurs totales de vibrations déterminées selon la norme EN60745			
Valeur de vibration mesurée	Valeur d'émission de vibrations (poignée principale)	$a_h = 4,071\text{m/s}^2$	$a_h = 5,124\text{m/s}^2$
	Valeur d'émission de vibrations (Poignée auxiliaire)	$a_h = 4,557\text{m/s}^2$	$a_h = 9,136\text{m/s}^2$
	Incertitude K = 1.5m/s ²		

La valeur totale de vibration déclarée peut être utilisée pour comparer un outil à un autre, et peut également être utilisé dans une évaluation préliminaire de l'exposition.

AVERTISSEMENT: La valeur d'émission de vibrations pendant l'utilisation réelle de l'outil électrique peut différer de la valeur déclarée selon la manière dont l'outil est utilisé, selon les exemples suivants et d'autres variations sur la manière dont l'outil est utilisé:
 Comment l'outil est utilisé et quels matériaux sont coupés ou percés.
 L'outil est en bon état et bien entretenu.
 L'utilisation du bon accessoire pour l'outil et l'assurance qu'il est affûté et en bon état.
 La bonne tenue des poignées et, le cas échéant, les accessoires anti-vibrations utilisés.
 L'outil est utilisé comme prévu dans sa conception et dans le présent mode d'emploi.

Cet outil peut causer un syndrome des vibrations main-bras s'il n'est pas correctement géré.

AVERTISSEMENT: Pour être précise, une évaluation du niveau d'exposition en conditions réelles d'utilisation doit également tenir compte de toutes les parties du cycle d'utilisation telles que les moments où l'outil est éteint, et ceux où il fonctionne au ralenti mais ne réalise pas réellement de tâche. Ceci peut réduire de manière significative le niveau d'exposition et la durée d'utilisation totale.
 Afin de minimiser le risque d'exposition aux vibrations :
 Utilisez TOUJOURS des burins, des forets et des lames affûtés.
 Entretenez cet outil de manière conforme au mode d'emploi et maintenez-le lubrifié (le cas échéant).
 Si l'outil doit être utilisé régulièrement, investissez dans des accessoires anti-vibrations.
 Évitez d'utiliser des outils à des températures inférieures ou égales à 10°C.
 Planifiez votre travail pour étaler l'utilisation des outils à forte vibration sur plusieurs jours.

ACCESSOIRES

	WX710	WX711	WX712
Disque		1	
Disque de meulage des métaux		1	
Poignée auxiliaire	1	1	/
Poignée auxiliaire anti-vibrations	/	/	1

Nous recommandons d'acheter tous les accessoires dans le magasin d'acquisition de l'outil. Il est impératif d'utiliser des accessoires de bonne qualité et de marque connue et de choisir l'accessoire correct recommandé dans ce manuel. Pour plus d'informations, se référer à l'emballage des accessoires. Le personnel du magasin est également là pour vous conseiller.

INSTRUCTIONS DE SECURITE POUR TOUT USAGE

AVERTISSEMENTS DE SECURITE COMMUNS POUR LES OPERATIONS DE TRONÇONNAGE PAR MEULAGE OU ABRASION:

- a) **Cet outil est destiné à faire office de broyeur, ou instrument de coupe. Lisez tous les avertissements de sécurité, instructions, illustrations et spécifications fournies avec l'outil.** En ne suivant pas toutes les instructions listées ci-dessous, vous vous exposez à une possible électrocution, un incendie et/ou des blessures graves.
- b) **Il n'est pas recommandé de réaliser les opérations telles que le brossage, le polissage avec cet outil.** Les opérations pour lesquelles l'outil électrique a été conçu peuvent représenter un danger et causer des blessures corporelles.
- c) **N'utilisez pas d'accessoires qui ne soient pas conçus et recommandés spécifiquement par le fabricant de l'outil.** Le fait que l'accessoire puisse se fixer sur votre outil n'assure pas son fonctionnement en toute sécurité.
- d) **La vitesse nominale de l'accessoire doit être supérieure ou égale à la vitesse maximale indiquée sur l'outil.** Les accessoires qui tournent plus rapidement que leur valeur nominale peuvent voler en éclats,
- e) **Le diamètre externe et l'épaisseur de votre accessoire doivent être dans la plage de capacité nominale de votre outil.** Les accessoires mal dimensionnés ne peuvent pas être protégés ni commandés de façon adéquate.
- f) **Le montage fileté d'accessoires doit être adapté au filet de l'arbre de la meuleuse. Pour les accessoires montés avec des flasques, l'alésage central de l'accessoire doit s'adapter correctement au diamètre du flasque.** Les accessoires qui ne correspondent pas aux éléments de montage de l'outil électrique seront en déséquilibre, vibreront de manière excessive et pourront provoquer une perte de contrôle.
- g) **N'utilisez pas un accessoire endommagé. Vérifiez, avant chaque utilisation, que les accessoires comme les disques abrasifs ne soient pas fendus ni fêlés, que les plateaux ne soient ni fissurés ni excessivement usés. Si l'outil est tombé, inspectez les dégâts ou installez un accessoire non endommagé. Après inspection et installation d'un accessoire, placez-vous, ainsi que les observateurs, à l'écart du plan de rotation de l'accessoire et faites tourner l'outil à vide et à pleine vitesse pendant une minute.** Un accessoire endommagé va normalement casser pendant cette durée de test.
- h) **Portez des équipements de protection personnels. Selon l'application, utilisez une protection de visage, des lunettes de sécurité ou un masque de sécurité. Selon le cas, portez un masque contre la poussière, des protections auditives, des gants et un tablier pouvant arrêter les petits fragments d'abrasif ou de la pièce.** La protection pour les yeux doit être capable d'arrêter les débris volant générés par les différentes opérations. Le masque contre les poussières ou le respirateur doit être capable de filtrer les particules générées par l'utilisation. Une exposition prolongée à du bruit de forte intensité peut causer une perte de l'ouïe.
- i) **Tenez les observateurs à une distance de sécurité de la zone de travail. Quiconque entrant dans la zone de travail doit porter des équipements de protection personnels.** Des fragments de la pièce ou un accessoire cassé peuvent voler et causer des blessures dans les environs immédiates de la zone d'utilisation.
- j) **Tenez l'outil uniquement par les surfaces de prise en main isolantes lorsque vous effectuez une opération où l'accessoire de coupe peut entrer en contact avec des fils cachés ou avec son propre cordon.** Le contact de l'accessoire coupant avec un fil « sous tension » peut mettre « sous tension » les parties métalliques exposées de l'outil électrique et provoquer un choc électrique sur l'opérateur.
- k) **Placez le cordon à distance de l'accessoire en rotation.** Si vous perdez le contrôle de l'outil, le cordon peut être coupé ou accroché, et votre main ou votre bras peuvent être entraînés vers l'accessoire en rotation.
- l) **Ne posez jamais l'outil tant que l'accessoire ne s'est pas complètement arrêté.** L'accessoire en rotation peut accrocher une surface et vous faire perdre le contrôle de l'outil,
- m) **Ne faites pas tourner l'outil quand vous le portez sur le côté.** Un contact accidentel avec l'accessoire en rotation peut accrocher vos vêtements, et entraîner l'accessoire vers votre corps.
- n) **Nettoyez régulièrement les ouïes de ventilation de l'outil électrique.** Le ventilateur du moteur attire la poussière à l'intérieur du boîtier et une accumulation excessive de poudre métallique peut représenter un danger électrique.
- o) **N'utilisez pas l'outil près de matériaux inflammables.** Des étincelles peuvent enflammer ces matériaux.
- p) **N'utilisez pas des accessoires qui requièrent des liquides de refroidissement.** L'utilisation d'eau ou d'un autre liquide de refroidissement peut conduire à une électrocution ou un choc électrique.
- q) Vous devez tenir les poignées avec les deux mains lorsque vous travaillez. Utilisez toujours les poignées auxiliaires fournies avec l'outil. Les pertes de contrôle peuvent causer des blessures.

INSTRUCTIONS DE SÉCURITÉ SUPPLÉMENTAIRES POUR TOUT USAGE

Avertissements liés aux retours d'efforts

Le retour d'effort est la réaction soudaine à un outil, un plateau, une brosse ou un autre accessoire en rotation et qui est pincé ou accroché. Le pincement ou l'accrochage cause un calage rapide de l'accessoire rotatif qui à son tour force l'outil, devenu incontrôlable, dans le sens opposé à la rotation de l'accessoire, au niveau du point de grippage. Par exemple, un disque abrasif est accroché ou pincé par la pièce à usiner, le bord du disque qui subit le pincement peut creuser la surface du matériau forçant le disque à sortir ou s'éjecter. Le disque peut soit sauter vers l'opérateur, soit dans le sens opposé, selon la direction de mouvement au point de pincement. Les disques abrasifs peuvent également se briser sous certaines conditions.

Le retour d'effort est le résultat d'une mauvaise utilisation de l'outil et/ou de procédures ou de conditions d'utilisation incorrectes, et il peut être évité en prenant les précaution ci-dessous.

- a) **Maintenez une prise en main ferme sur l'outil et placez votre corps et votre bras de façon à résister aux retours d'efforts. Utilisez toujours la poignée auxiliaire, si elle existe, pour un contrôle maximum du retour d'effort et du couple réactif au démarrage.** L'utilisateur peut contrôler le couple réactif ou les retours d'effort en prenant des précautions appropriées.
- b) **Ne placez jamais votre main près de l'accessoire rotatif.** L'accessoire peut subir un retour d'effort vers votre main.
- c) **Ne placez pas votre corps dans la zone où l'outil électrique se déplacerait en cas de retour d'effort,** le retour d'effort propulse l'outil dans le sens opposé au mouvement du disque, au niveau du point d'accrochage.
- d) **Faites très attention lors du travail dans les angles, sur les arêtes vives etc., et évitez le rebond et l'accrochage de l'accessoire.** Les coins, les arêtes vives et les rebonds ont tendance à bloquer l'accessoire rotatif et peuvent causer une perte de contrôle ou un retour d'effort.
- e) **N'attachez pas une lame à sculpter de tronçonneuse ou une lame de scie dentée.** Ces lames créent des risques fréquents de rebond et de perte de contrôle

INSTRUCTIONS DE SÉCURITÉ SUPPLÉMENTAIRES POUR LE BROYAGE ET LA COUPE

Avertissements de sécurité spécifiques aux opérations de meulage et de découpe abrasive:

- a) **N'utilisez que les types de disques recommandés pour votre outil électrique, avec la protection conçue spécialement pour le disque choisi.** Les disques pour lesquels l'outil électrique n'a pas été prévu ne peuvent pas être correctement protégés et ne sont pas sûrs.
- b) **La surface de meulage des meules à moyen déporté doit être montée sous le plan de**

la lèvre du protecteur. Une meule montée de manière incorrecte qui dépasse du plan de la lèvre du protecteur ne peut pas être protégée de manière appropriée.

- c) **La protection doit être fermement fixée à l'outil électrique et placée en vue d'une sécurité maximale, de sorte que le disque soit le moins exposé possible vers l'utilisateur.** Le protecteur permet de protéger l'opérateur des fragments de meule cassée, d'un contact accidentel avec la meule et d'étincelles susceptibles d'enflammer les vêtements.
- d) **Les disques doivent être utilisés seulement pour les applications recommandées. Par exemple: ne meulez pas avec le bord d'un disque de coupe.** Les disques de coupe abrasive sont conçus pour le meulage périphérique, les forces latérales appliquées à de tels disques peuvent les casser.
- e) **Utilisez toujours des collerettes de disques non endommagées et de taille et forme correctes pour le disque choisi.** Des collerettes de disques adaptées supportent le disque et réduisent ainsi le risque de casse. Les collerettes des disques de découpe peuvent être différentes de celles des disques à meuler,
- f) **N'utilisez pas de disques usés d'outils électriques plus gros.** Les disques prévus pour des outils électriques plus gros ne conviennent pas pour les vitesses élevées d'outils plus petits et peuvent éclater.

INSTRUCTIONS DE SÉCURITÉ SUPPLÉMENTAIRES POUR LA COUPE

Avertissements de sécurité supplémentaires

spécifiques aux opérations de découpe abrasive:

- a) **Ne "bloquez" pas le disque de découpe et n'exercez pas de pression excessive. N'essayez pas de faire une profondeur de coupe excessive.** Une sur-contrainte du disque augmente la charge et la susceptibilité du disque à la torsion ou aux efforts dans la coupe, ainsi que l'éventualité d'un retour d'effort ou de casse du disque.
- b) **Ne placez pas votre corps dans l'axe ni derrière le disque en rotation.** Lorsque le disque, au point de fonctionnement, s'éloigne de votre corps, le retour d'effort possible peut propulser le disque en rotation et l'outil électrique directement vers vous.
- c) **Lorsque le disque est en contrainte ou lorsque vous arrêtez la coupe pour une raison quelconque, éteignez l'outil électrique et maintenez l'outil immobile jusqu'à ce que le disque soit à l'arrêt complet. N'essayez jamais d'enlever le disque de coupe de la coupe pendant qu'il est en mouvement sous peine de risque de retour d'effort.** Investiguez et prenez des actions correctrices pour éliminer la cause de la contrainte au niveau du disque.
- d) **Ne redémarrez pas l'opération de coupe sur la pièce à usiner. Laissez le disque atteindre sa pleine vitesse et re-pénétrez dans la**


coupe avec précaution. Le disque peut, se soulever ou renvoyer un retour d'effort si l'outil électrique est redémarré dans la pièce,

- e) Soutenez les panneaux ou toute pièce de grandes dimensions, afin de minimiser le risque de pincement de disque et de retour d'effort.** Les grandes pièces ont tendance à se plier sous leur propre poids. Les supports doivent être placés sous la pièce près de la ligne de coupe et près du bord de la pièce des deux côtés du disque.
- f) Faites très attention quand vous faites une "décoûpe en poche" dans des murs existants ou d'autres zones aveugles.** Le disque protubérant peut couper des tuyaux de gaz ou d'eau, des fils électriques ou des objets pouvant provoquer un retour d'effort.

SYMBOLES

	Pour réduire le risque de blessure, l'utilisateur doit lire le mode d'emploi.
	Classe de protection
	Avertissement
	Porter une protection pour les oreilles
	Porter une protection pour les yeux
	Porter un masque contre la poussière
	Porter des gants de protection.
	Veillez vous assurer que l'outil est débranché avant de modifier les accessoires.
	Les déchets d'équipements électriques et électroniques ne doivent pas être déposés avec les ordures ménagères. Ils doivent être collectés pour être recyclés dans des centres spécialisés. Consultez les autorités locales ou votre revendeur pour obtenir des renseignements sur l'organisation de la collecte.


FUNCTIONNEMENT

 **REMARQUE:** Avant d'utiliser cet outil, lire attentivement le mode d'emploi.

UTILISATION CONFORME:

L'appareil est conçu pour le tronçonnage, le meulage et le brossage des matériaux en métal et en pierre sans utilisation d'eau. Pour le tronçonnage de métal, utiliser un capot de protection spécialement conçu pour le tronçonnage (accessoire).

ASSEMBLAGE ET FUNCTIONNEMENT

Action	Figure
ASSEMBLAGE	
Poignée auxiliaire réglable	Voir A
Assemblage disque de meulage / de coupe	Voir B1, B2, B3
Réglage du protecteur REMARQUE: Avant toute intervention sur l'appareil proprement dit, toujours retirer la fiche du câble d'alimentation de la prise de courant. Le capot de protection doit être monté pour les travaux avec des disques à arborer et à tronçonner. Le nez de codage se trouvant sur le capot de protection (10) assure que seul le capot de protection approprié au type d'appareil puisse être monté. Ouvrir le levier de serrage (9) Monter le capot de protection (10) avec le nez de codage sur le col de la broche de la tête de l'appareil en veillant à ce que le nez de codage prenne correctement dans la rainure ; tourner le capot de protection 6 dans la position requise (position de travail). Pour serrer le capot de protection (10), fermer le levier de serrage (9). Le côté fermé du capot de protection (10) doit toujours être dirigé vers l'utilisateur.	Voir C
FUNCTIONNEMENT	
Branchement de l'alimentation	Voir D
Utilisation Interrupteur On / Off	Voir E
Zones de préhension manuelle	Voir F
Meulage de dégrossissage  MISE EN GARDE! Ne jamais utiliser de disque de coupe pour dégrossir.	
Travaux de tronçonnage	Voir G

CONSEILS D'UTILISATION DE LA MEULEUSE D'ANGLE

1. Veillez à ce que les ouïes prévues pour la ventilation du moteur soient propres.
2. Ne démarrez jamais votre meuleuse d'angle lorsque la meule est en contact avec la pièce à travailler.
3. Travaillez toujours avec un angle de 15-30° entre le disque et l'ouvrage. Des angles plus larges peuvent faire des stries sur la pièce à travailler et affecter la finition de la surface.
4. Lors de l'utilisation d'un disque, ne changez jamais l'angle de coupe sinon le disque et le moteur de la meuleuse angulaire risquent de caler et le disque de se casser. Pendant la coupe, coupez uniquement dans la direction opposée à la rotation du disque. Si la coupe est effectuée dans la même direction que la rotation du disque, le disque pourrait être projeté hors de son créneau.
5. Lors de la coupe de matériaux très durs, de meilleurs résultats peuvent être obtenus avec un disque diamant.
6. Lors de l'utilisation d'un disque diamant, celui-ci deviendra très chaud. Si cela se produit, un anneau d'étincelles sera visible autour du disque rotatif. Arrêtez la coupe et faites refroidir l'outil en le faisant tourner à vide pendant 2-3 minutes.
7. Assurez-vous toujours que l'ouvrage est fermement maintenu pour empêcher tout mouvement.

ENTRETIEN

Retirer la fiche de la prise avant de procéder à un réglage, une réparation ou un entretien.

Il n'y a pas de pièces réparables par l'utilisateur dans cet outil. Ne jamais utiliser d'eau ou de nettoyants chimiques pour nettoyer l'outil. Nettoyer avec un chiffon sec. Toujours conserver l'outil motorisé dans un endroit sec. Maintenir les fentes de ventilation du moteur propres. Empêcher que les commandes de marche soient couvertes de poussière. Il est normal que des étincelles soient visibles dans les fentes de ventilation, cela n'endommagera pas l'outil motorisé. Si l'alimentation est endommagée, elle doit être remplacée par le fabricant, son agent de maintenance ou une personne qualifiée de façon similaire, afin d'éviter tout danger.

DÉPANNAGE

Bien que votre meuleuse d'angle soit simple à utiliser, et si vous rencontrez des problèmes, vérifiez d'abord les points suivants:

1. Si votre meuleuse ne fonctionne pas, vérifiez la présence de courant sur la prise d'alimentation.
2. Si le disque de la meuleuse tremble ou vibre, vérifiez que le fl asque extérieur est bien serré.

Vérifiez également que le disque est correctement installé sur le flasque intérieur.

3. Si la meule est endommagée, n'utilisez pas votre meuleuse. Une meule ébréchée risque de se casser lors de l'utilisation – Risque de blessure.
4. Si vous meulez de l'aluminium ou tout autre alliage tendre, le disque risque d'être rapidement encrassé et de ne plus meuler correctement.

PROTECTION DE L'ENVIRONNEMENT



Les déchets d'équipements électriques et électroniques ne doivent pas être déposés avec les ordures ménagères. Ils doivent être collectés pour être recyclés dans des centres spécialisés. Consultez les autorités locales ou votre revendeur pour obtenir des renseignements sur l'organisation de la collecte.

DÉCLARATION DE CONFORMITÉ

Nous,
POSITEC Germany GmbH
Konrad-Adenauer-Ufer 37
50668 Köln

Déclarons que ce produit,
Description **WORX Meuleuse d'angle**
Modèle **WX710 WX711 WX712 (700-749**
- désignations des pièces, illustration de la
Meuleuse d'angle)
Fonctions **Meulage périphérique et latéral**

Est conforme aux directives suivantes,
2006/42/EC, 2004/108/EC, 2011/65/EU

Et conforme aux normes
EN 55014-1 EN 55014-2
EN 61000-3-2 EN 61000-3-3
EN 60745-1 EN 60745-2-3

La personne autorisée à compiler le dossier technique,
Nom Russell Nicholson
Address Positec Power Tools (Europe)Ltd, PO
Box 152,Leeds,LS10 9DS,UK



Suzhou 2015/06/30
Allen Ding
Ingénieur en chef adjoint, Essais & Certification

1. **PULSANTE DI BLOCCO PERNO**
2. **INTERRUTTORE D'ACCENSIONE/SPEGNIMENTO**
3. **IMPUGNATURA SUPPLEMENTARE ANTIVIBRAZIONI**
4. **CHIAVE**
5. **FLANGIA INTERNA**
6. **FLANGIA ESTERNA**
7. **DADO DI REGOLAZIONE MORSETTO**
8. **PERNO**
9. **LEVA DI SERRAGGIO DEL COPRI DISCO**
10. **CUFFIA DI PROTEZIONE PER LEVIGATURA**
11. **DISCO***
12. **CUFFIA DI PROTEZIONE PER LA TRONCATURA***


* Accessori illustrati o descritti non fanno necessariamente parte del volume di consegna.

DATI TECNICI

Codice **WX710 WX711 WX712 (700-749 - designazione del macchinario rappresentativo del Smerigliatrice angolare)**

	WX710	WX711	WX712
Tensione Nominale	220-240V~50/60Hz		
Potenza Nominale	860W	750W	860W
Numero giri nominale	12,000/min		
Diametro massimo disco	100mm	115mm	125mm
Diametro interno disco	16mm	22.2mm	22.2mm
Filettatura perno	M10	M14	M14
Classe protezione	 // II		
Peso macchina	2.0 kg		

INFORMAZIONI SUL RUMORE

	WX710	WX711 WX712
Pressione sonora ponderata A	L_{pA} : 92.7dB(A)	L_{pA} : 89.7dB(A)
Potenza sonora ponderata A	L_{WA} : 103.7dB(A)	L_{WA} : 100.7dB(A)
K_{pA} & K_{WA}	3.0dB(A)	
Indossare la protezione per le orecchie quando la pressione sonora è superiore a	80dB(A) 	

INFORMAZIONI SULLA VIBRAZIONE

		WX710	WX711 WX712
I valori totali di vibrazione sono determinati secondo lo standard EN60745:			
Vibrazione ponderata tipica	Valore emissione vibrazioni (impugnatura principale)	$a_h = 4,071\text{m/s}^2$	$a_h = 5,124\text{m/s}^2$
	Valore emissione vibrazioni (impugnatura ausiliaria)	$a_h = 4,557\text{m/s}^2$	$a_h = 9,136\text{m/s}^2$
	Incertezza K = 1.5m/s ²		

Si può usare il valore totale della vibrazione dichiarata per riportare un attrezzo all'altro e anche come verifica preliminare dell'esposizione.

AVVERTENZA: Il valore delle vibrazioni emesse durante il reale utilizzo dello strumento può differire dal valore dichiarato in base ai modi con cui viene usato lo strumento, ai seguenti esempi e ad altre variabili:

Come viene usato l'apparecchio e i materiali tagliati o forati.

Le condizioni e la buona manutenzione dello strumento.

L'uso dell'accessorio corretto per il taglio e la sua affilatura, nonché le sue buone condizioni.

La stretta sull'impugnatura e l'eventuale utilizzo di accessori antivibrazione.

L'adeguatezza dell'utilizzo dell'utensile rispetto a quanto previsto.

Questo strumento potrebbe causare la sindrome da vibrazioni mano-braccio se il suo utilizzo non viene gestito correttamente.

AVVERTENZA: Per essere precisi, una stima del livello di esposizione nelle attuali condizioni di utilizzo dovrebbe anche tenere conto di tutte le parti del ciclo operativo, come le volte in cui lo strumento viene spento e il tempo in cui viene lasciato girare a vuoto senza realmente fare il suo lavoro. Questo potrebbe ridurre significativamente il livello di esposizione sul periodo di lavoro totale.

Un aiuto a minimizzare il proprio rischio di esposizione alle vibrazioni.

USARE sempre scalpelli, trapani e lame affilati.

Conservare questo strumento sempre in conformità a queste istruzioni e mantenerlo ben lubrificato (dove appropriato).

Se lo strumento deve essere usato regolarmente, investire in accessori antivibrazione.

Evitare l'utilizzo dello strumento a temperature di 10°C o inferiori.

Pianificare il programma di lavoro in modo da suddividere i lavori che implicano le maggiori vibrazioni nell'arco di più giorni.

ACCESSORI

	WX710	WX711	WX712
Chiave		1	
Mola per metallo		1	
Impugnatura supplementare	1	1	/
Impugnatura supplementare antivibrazioni	/	/	1

Si raccomanda di acquistare tutti gli accessori nello stesso negozio in cui è stato acquistato l'attrezzo. Usare accessori di buona qualità e di marca conosciuta. Fare riferimento alla confezione dell'accessorio per altri dettagli. Il personale del negozio può aiutarvi e consigliarvi.

ISTRUZIONI SULLA SICUREZZA PER OGNI TIPO DI FUNZIONAMENTO

AVVISI DI SICUREZZA COMUNI PER LE OPERAZIONI DI LEVIGATURA E TAGLIO:

- a) **Questo utensile elettrico può funzionare come molatrice, o come strumento per il taglio. Leggere tutti gli avvisi sulla sicurezza, le istruzioni, le illustrazioni e le specifiche fornite con questo utensile elettrico.** La mancata osservanza di queste istruzioni può esporre al rischio di folgorazioni elettriche, incendio e/o altre lesioni gravi.
- b) **Non si consiglia l'esecuzione di operazioni quali pulizia con spazzola metallica, e lucidatura con questo utensile.** L'esecuzione di operazioni per le quali l'utensile non è stato realizzato può esporre a rischi e lesioni personali.
- c) **Non utilizzare accessori che non sono stati realizzati in modo specifico e consigliati dal costruttore.** Il fatto che sia possibile attaccare gli accessori sull'utensile non è garanzia di funzionamento sicuro.
- d) **La velocità nominale dell'accessorio deve essere almeno pari alla velocità massima dell'utensile.** Accessori con velocità superiori a quella nominale possono essere proiettati via.
- e) **Il diametro esterno e lo spessore dell'accessorio devono essere compresi in quelli accettati dall'utensile.** Non è possibile proteggere o controllare in modo adeguato accessori di dimensioni errate.
- f) **Accessori con filetto riportato devono essere adatti in modo preciso alla filettatura dell'alberino. Negli accessori che vengono montati tramite flangia, il diametro del foro dell'accessorio deve corrispondere al diametro di alloggiamento della flangia.** Accessori che non vengono fissati in modo preciso all'elettro utensile non ruotano in modo uniforme, vibrano molto forte e possono provocare la perdita del controllo.
- g) **Non usare accessori danneggiati. Prima di ogni uso ispezionare l'accessorio, quali dischi abrasive per verificare la presenza di schegge e fessure, i supporti dei tamponi per controllare la presenza di fessure, usura o eccessiva usura. Se l'utensili o l'accessorio vengono fatti cadere, ispezionarli per verificare la presenza di danni, o utilizzare un accessorio non danneggiato. Dopo aver posizionato e installato un accessorio, posizionarsi e far collocare eventuali altre persone al di fuori del piano di rotazione dell'accessorio e far girare l'utensile senza carico per un minuto.** Normalmente gli accessori danneggiati si rompono durante l'esecuzione di questa prova.
- h) **Indossare dispositivi di protezione individuali.**

In funzione dell'applicazione, usare una maschera per il volto, occhiali protettivi o occhiali di sicurezza. Se necessario indossare una mascherina per la polvere, dispositivi di protezione per l'udito, guanti e grembiule in grado di arrestare eventuali frammenti di piccole dimensioni. La protezione degli occhi

deve essere in grado di arrestare piccoli frammenti generate dalle diverse operazioni. La mascherina antipolvere e il respiratore devono essere in grado di filtrare le particelle che si creano con il lavoro. L'esposizione prolungata a rumori molto forti può provocare la perdita dell'udito.

- i) **Far sostare altre persone a distanza di sicurezza dall'area di lavoro. Chi accede all'area di lavoro deve indossare un dispositivo di protezione individuale.** Frammenti dell'oggetto su cui si sta lavorando o derivanti dalla eventuale rottura di un accessorio potrebbero essere proiettati via e provocare lesioni personali nell'area immediatamente attigua alla zona di lavoro.
- j) **Tenere l'utensile solo utilizzando le apposite superfici, in particolare durante l'esecuzione di operazioni nelle quali l'accessorio per il taglio può venire a contatto con cavi nascosti o con il proprio cavo di alimentazione.** Il contatto con un cavo sotto tensione può mettere sotto tensione anche parti metalliche dell'apparecchio, causando una scossa elettrica.
- k) **Posizionare il cavo in modo che sia distante dall'accessorio rotante.** Se si perde il controllo, il cavo potrebbe essere danneggiato o catturato e braccio e mano potrebbero essere tirati verso l'accessorio mentre è in rotazione.
- l) **Non poggiare mai l'utensile fino a quando l'accessorio non si è arrestato completamente.** L'accessorio, se ancora in rotazione, potrebbe far presa sulla superficie e far perdere il controllo dell'utensile.
- m) **Non azionare l'utensile mentre lo si trasporta lateralmente.** Il contatto accidentale con l'accessorio in rotazione potrebbe far catturare parti degli indumenti, che verrebbero trascinati all'interno dell'accessorio.
- n) **Pulire con regolarità le aperture per la ventilazione dell'utensile.** Le ventole del motore aspirano all'interno della scocca la polvere, e un accumulo eccessivo di polvere può esporre al rischio di folgorazioni.
- o) **Non azionare l'utensile in prossimità di materiali infiammabili.** Le scintille potrebbero provocare l'accensione di tali materiali.
- p) **Non usare accessori che richiedono refrigeranti liquidi.** L'uso di refrigeranti liquidi, quali acqua o altri liquidi, può esporre al rischio di folgorazione elettrica.
- q) La mano dell'utente deve essere sull'impugnatura mentre si lavora. Usare sempre le impugnature ausiliarie in dotazione con l'apparecchio. Una perdita del controllo potrebbe causare lesioni alla persona.

ALTRE ISTRUZIONI SULLA SICUREZZA PER OGNI TIPO DI FUNZIONAMENTO

Il rischio di rimbalzo indietro e avvisi relativi

Il rimbalzo indietro è una reazione improvvisa causata dall'inceppamento di un disco, di un supporto per tampone, di un a spazzola o di un qualsiasi altro accessorio. L'inceppamento mette il disco in una condizione di stallo temporaneo e in al conseguente movimento incontrollato in direzione opposta dell'accessorio in rotazione, nel punto in cui si è verificato l'inceppamento.

Ad esempio, se un disco abrasivo si inceppa nel pezzo in lavorazione, il bordo esterno del disco che sta penetrando nel punto in cui si verifica l'inceppamento può affondare di più nella superficie del materiale, e di conseguenza il disco potrebbe saltare indietro. Il disco può saltare verso l'operatore o allontanarsi da esso, in relazione alla direzione di rotazione del disco nel punto in cui si verifica l'inceppamento. Inoltre i dischi abrasivi possono rompersi in queste condizioni.

Il rimbalzo indietro è il risultato di un uso e/o procedure errate, o di condizioni che possono essere evitate se si adottano le misure di sicurezza fornite di seguito.

a) Mantenere una presa salda sull'utensile e posizionare corpo e braccio in modo da opporre resistenza ad un eventuale rimbalzo.

Utilizzare sempre le impugnature ausiliarie, se fornite, per esercitare il controllo massimo in caso di rimbalzo indietro o di reazioni all'avvio. L'operatore è in grado di controllare eventuali rimbalzi indietro, se si sono prese le misure adeguate.

b) Non posizionare mai la propria mano in prossimità dell'accessorio in rotazione. Gli accessori possono rimbalzare e colpire la mano.

c) Non posizionare il proprio corpo in una zona in cui probabilmente potrebbe arrivare l'utensile in caso di rimbalzo indietro.

In caso di rimbalzo, l'utensile viene spinto in direzione opposta a quella del movimento del disco nel punto in cui si verifica l'inceppamento.

d) Prestare attenzione particolare quando si opera su angoli, bordi acuminati, ecc., evitare di avvicinare l'accessorio facendolo rimbalzare.

Angoli, bordi acuminati hanno la tendenza a far rimbalzare l'accessorio con conseguente perdita del controllo o rimbalzo indietro.

e) Non fissare una lama di sega a nastro o una lama di sega dentata. Questo tipo di lama crea frequenti rimbalzi all'indietro con conseguente perdita del controllo.

ALTRE ISTRUZIONI SULLA SICUREZZA PER MOLATURA E TAGLIO

Avvisi di sicurezza specifici per le operazioni di smerigliatura e taglio con abrasione:

a) Usare solo i dischi del tipo di quelli consigliati per questo utensile e la protezione specifica per il disco selezionato. Non è possibile proteggere in modo adeguati dischi non realizzati per questo

utensile, che pertanto risultano essere poco sicuri.

b) Dischi abrasivi piegati a gomito devono essere montati in modo tale che la loro superficie abrasiva non sporga oltre il piano del bordo della cuffia di protezione. Un disco abrasivo montato in modo non corretto che sporge dal piano del bordo della cuffia di protezione non può essere schermato sufficientemente.

c) La protezione deve essere fissata bene all'utensile e posizionata in modo tale da garantire la massima sicurezza, in modo da esporre verso l'operatore una porzione ridotta del disco. La cuffia di protezione protegge l'operatore da frammenti, da contatto accidentale con l'utensile abrasivo nonché da scintille che possono far prendere fuoco ai vestiti.

d) I dischi devono essere utilizzati solo per le applicazioni specifiche per le quali sono stati realizzati. Ad esempio: non smerigliare con il fianco di dischi di taglio. I dischi abrasivi da taglio sono realizzati per smerigliare sul diametro, e le forze applicati sui lati possono farli saltare sulla superficie di lavoro.

e) Utilizzare sempre flangie delle dimensioni e forma corretti per il disco selezionato. Le flangie idonee supportano il disco, riducendo così la possibilità di rottura del disco. La flangie per i dischi da taglio possono essere diverse dalle flangie per i dischi destinati alla smerigliatura.

f) Non utilizzare dischi consumati, provenienti da utensili di dimensioni maggiori. I dischi realizzati per utensili di dimensioni maggiori non sono idonei per le velocità più elevate di utensili più piccoli e potrebbero rompersi.

ALTRE ISTRUZIONI SULLA SICUREZZA PER TAGLIO **Altri avvisi di sicurezza specifici per le operazioni di taglio per abrasione:**

a) Evitare che il disco di taglio si inceppi e non applicare una pressione eccessiva. Evitare di fare tagli troppo profondi. Se si sottopone a stress eccessivo il disco, si aumentano le possibilità che il disco si pieghi con conseguente rischio di rimbalzo indietro o di rottura del disco.

b) Non posizionare il proprio corpo in linea e dietro il disco. Quando il disco, nel punto di lavoro viene allontanato dal proprio corpo, il possibile rimbalzo può far sbattere il disco in rotazione e l'utensile direttamente sul corpo dell'operatore.

c) Se il disco si sta piegano o quando si interrompe il taglio per una qualsiasi ragione, spegnere e l'utensile e tenerlo fino all'arresto complete del disco . Non tentare mai di togliere il disco di taglio dal taglio mentre il disco è ancora in movimento, in caso contrario si rischia il rimbalzo all'indietro. Eliminare le cause probabili che hanno portato alla piegatura del disco.

d) Non riavviare l'operazione di taglio del pezzo. Attendere che il disco sia arrivato

alla velocità massima e rientrare nel taglio con attenzione. Se l'utensile viene riavviato all'interno del taglio, il disco potrebbe piegarsi, saltare in avanti o rimbalzare indietro.

- e) Sostenere pannelli e qualsiasi oggetto di lavorazione di grandi dimensioni per evitare che il disco si blocchi e causi un rimbalzo indietro.** Gli oggetti di grandi dimensioni tendono a piegarsi sotto il proprio peso. Collocare dei sostegni sotto l'oggetto in prossimità della linea di taglio, su entrambi i lati del disco.
- f) Prestare particolare attenzione nella esecuzione di tagli ciechi in pareti o altre parti non a vista.** Il disco potrebbe tagliare tubazioni dell'acqua o del gas, cavi elettrici o altri oggetti che potrebbero provocare il rimbalzo indietro dell'apparecchiatura.

ISTRUZIONI SUL FUNZIONAMENTO




NOTA: Leggere scrupolosamente il manuale delle istruzioni prima di usare l'attrezzo.

USO CONFORME ALLE NORME

La macchina è idonea per troncare, sgrassare e spazzolare a secco materiali metallici e materiali pietrosi. Per la troncatura di metallo deve essere impiegata una cuffia di protezione speciale per la troncatura (accessorio).

MONTAGGIO E FUNZIONAMENTO

Azione	Figura
MONTAGGIO	
Montaggio dell'impugnatura supplementare	Vedere A
Assemblaggio della mola/disco di taglio	Vedere B1, B2, B3
Regolazione della protezione NOTA: Prima di qualunque intervento alla macchina, estrarre la spina dalla presa di rete. In caso di lavori con disco da sgrassare oppure con mole abrasive da taglio diritto è indispensabile che sia montata la calotta di protezione. Il nasello codificatore alla calotta di protezione (10) garantisce che possa essere montata soltanto una calotta di protezione che sia adatta al tipo di macchina. Aprire la levetta di fissaggio (9). Applicare la calotta di protezione (10) al collare alberino della testa dell'elettro utensile con il nasello codificatore nella scanalatura di codificazione e ruotarla nella posizione necessaria (posizione di lavoro). Per bloccare la calotta di protezione (10) chiudere la levetta di fissaggio (9). Il lato chiuso della calotta di protezione (10) deve essere rivolto sempre verso l'operatore.	Vedere C
FUNZIONAMENTO	
Collegamento dell'alimentazione	Vedere D
Utilizzo dell'interruttore di accensione/spengimento	Vedere E
Aree per l'impugnatura	Vedere F
Sgrassatura  ATTENZIONE! Non usare mai un disco di taglio per la sgrassatura	
TRONCARE	Vedere G

SIMBOLI

	Per ridurre il rischio di lesioni, l'utente deve leggere il manuale di istruzioni
	Classe protezione
	Attenzione
	Indossare protezione per le orecchie
	Indossare protezione per gli occhi
	Indossare una mascherina antipolvere
	Indossare guanti di protezione.
	Assicurarsi che l'utensile sia scollegato prima di cambiare accessori.
	I prodotti elettrici non possono essere gettati tra i rifiuti domestici. L'apparecchio da rottamare deve essere portato al centro di riciclaggio per un corretto trattamento. Controllare con le autorità locali o con il rivenditore per localizzare il centro di riciclaggio più vicino.

1. **BOTÓN DE BLOQUEO**
2. **INTERRUPTOR DE ENCENDIDO/APAGADO**
3. **EMPUÑADURA AUXILIAR ANTIVIBRACIÓN**
4. **LLAVE**
5. **ARANDELA DE ASIENTO**
6. **TUERCA DE CIERRE**
7. **TUERCA DE AJUSTE DE LA CUBIERTA PROTECTORA**
8. **HUSILLO**
9. **PALANCA DE FIJACIÓN DE LA CUBIERTA PROTECTORA**
10. **CAPERUZA PROTECTORA DE RUEDA PARA AMOLAR**
11. **DISCO ABRASIVO***
12. **CAPERUZA PROTECTORA PARA TRONZAR***


* Los accesorios ilustrados o descritos pueden no corresponder al material suministrado de serie con el aparato.

CARACTERÍSTICAS TÉCNICAS

Modelo **WX710 WX711 WX712 (700-749 - designación de maquinaria, representantes de Amoladora Angular)**

	WX710	WX711	WX712
Tensión	220-240V~50/60Hz		
Potencia	860W	750W	860W
Revoluciones nominales	12,000/min		
Diámetro máximo de disco	100mm	115mm	125mm
Diámetro interior del disco	16mm	22.2mm	22.2mm
Husillo	M10	M14	M14
Doble aislamiento	<input type="checkbox"/> II		
Peso	2.0 kg		

INFORMACIÓN SOBRE EL RUIDO

	WX710	WX711 WX712
Nivel de presión acústica ponderada	L_{pA} : 92.7dB(A)	L_{pA} : 89.7dB(A)
Nivel de presión acústica ponderada	L_{wA} : 103.7dB(A)	L_{wA} : 100.7dB(A)
K_{pA} & K_{wA}	3.0dB(A)	
Utilice protección auditiva cuando la presión acústica sea superior a	80dB(A) 	

INFORMACIÓN SOBRE LAS VIBRACIONES

		WX710	WX711 WX712
Los valores totales de vibración se determinan según la norma EN60745:			
Frecuencia de vibración típica	Valor de emisión de vibración (para el asa principal)	$a_h = 4,071\text{m/s}^2$	$a_h = 5,124\text{m/s}^2$
	Valor de emisión de vibración (para el asa auxiliar)	$a_h = 4,557\text{m/s}^2$	$a_h = 9,136\text{m/s}^2$
	Incertidumbre $K = 1.5\text{m/s}^2$		

El valor total de vibración declarado se puede utilizar para comparar una herramienta con otra y también en una evaluación preliminar de exposición.

! **ADVERTENCIA:** El valor de emisión de vibraciones durante el uso de la herramienta podría ser distinto al valor declarado dependiendo de la forma en que se use la herramienta según las condiciones siguientes, y otras variaciones sobre el uso de la herramienta:

El modo de uso de la herramienta y los materiales que se cortan o perforan.

El estado general y las condiciones de mantenimiento de la herramienta

La utilización del accesorio correcto para la herramienta y su correcto mantenimiento afilado y en buenas condiciones.

La firme sujeción de las empuñaduras y la utilización de accesorios antivibración.

El uso de la herramienta conforme a su diseño y estas instrucciones.

Esta herramienta podría causar síndrome de vibración mano-brazo si no se utiliza correctamente.

! **ADVERTENCIA:** Para conseguir una mayor precisión, debe tenerse en cuenta una estimación del nivel de exposición en condiciones reales de todas las partes del ciclo de uso, como los tiempos durante los que la herramienta está apagada o el tiempo que está funcionando al ralentí sin realizar ningún trabajo. Esto podría reducir notablemente el nivel de exposición durante el periodo completo de trabajo.

Cómo minimizar el riesgo de exposición a la vibración.

Utilice SIEMPRE cinceles, brocas y cuchillas afiladas.

Mantenga esta herramienta de acuerdo con estas instrucciones y bien lubricada (si es necesario).

Si la herramienta se utiliza regularmente, invierta en accesorios antivibración.

Evite el uso de herramientas a temperaturas de 10°C o menos.

Planifique su programa de trabajo para distribuir el uso de la herramienta a lo largo de varios días.

ACCESORIOS

	WX710	WX711	WX712
Llave		1	
Disco abrasivo metal		1	
Empuñadura lateral auxiliar	1	1	/
Empuñadura auxiliar antivibración	/	/	1

Recomendamos que adquiera todos sus accesorios en el mismo establecimiento donde compró la herramienta. Utilice accesorios de buena calidad y de marca reconocida. Elija los accesorios de acuerdo con el trabajo que pretende realizar. Consulte los estuches de los accesorios para más detalles. El personal del establecimiento también puede ayudar y aconsejar.

INSTRUCCIONES DE SEGURIDAD PARA TODAS LAS OPERACIONES

ADVERTENCIAS DE SEGURIDAD COMUNES PARA OPERACIONES DE AMOLADURA O CORTE ABRASIVO:

- a) **Esta herramienta eléctrica ha sido diseñada para funcionar como amoladora, o herramienta de corte. Familiarícese con todas las advertencias e instrucciones de seguridad, ilustraciones y especificaciones proporcionadas con esta herramienta.** Si no sigue las instrucciones que se presentan a continuación podrían producirse descargas eléctricas, incendios y/o serias lesiones.
- b) **No se recomienda realizar operaciones de lijado, cepillado metálico, pulido con esta herramienta.** Las operaciones para las que la herramienta no ha sido diseñada podrían suponer un riesgo y causar lesiones personales.
- c) **No utilice accesorios que no hayan sido diseñados y recomendados específicamente por el fabricante de la herramienta.** El hecho de que pueda colocar un accesorio en su herramienta no implica que su uso sea seguro.
- d) **La velocidad nominal del accesorio debe ser al menos igual a la velocidad máxima marcada en la herramienta.** Los accesorios que funcionen por encima de su velocidad nominal podrían salir disparados.
- e) **El diámetro exterior y el grosor del accesorio debe encontrarse dentro de la capacidad de su herramienta.** Los accesorios del tamaño incorrecto no podrán protegerse y controlarse correctamente.
- f) **Los útiles de fijación a rosca deberán ajustarse exactamente en la rosca del husillo. En los útiles de fijación por brida su diámetro de encaje deberá ser compatible con el de alojamiento en la brida.** Los útiles que no vayan fijados exactamente sobre la herramienta eléctrica giran descentrados, vibran mucho, y pueden hacerle perder el control sobre el aparato.
- g) **No utilice un accesorio dañado. Antes de cada uso, inspeccione el accesorio en busca de defectos: las ruedas abrasivas con grietas o residuos, los paneles de apoyo con grietas, deterioros o desgaste excesivo. Si se deja caer la herramienta, inspeccione los daños o instale un accesorio nuevo.** Después de inspeccionar e instalar un accesorio, colóquese usted mismo y a todos los observadores lejos del plano de rotación del accesorio y ponga la herramienta en funcionamiento a la máxima velocidad sin carga durante un minuto. Los accesorios dañados suelen romperse durante esta prueba.
- h) **Utilice equipamiento de protección personal. Dependiendo de la aplicación, utilice escudos faciales, gafas de seguridad o protección ocular. Si es necesario, utilice una máscara antipolvo, protectores auditivos, guantes y delantal que permitan detener los pequeños fragmentos abrasivos.** La protección ocular debe detener los residuos voladores generados por las distintas operaciones. La máscara antipolvo o el respirador deben ser capaces de filtrar partículas generadas por el uso. La exposición prolongada a ruidos de alta intensidad podría provocar problemas auditivos.
- i) **Mantenga a los observadores a una distancia segura, alejados del área de trabajo.** Cualquier persona que penetre en el área de trabajo debe utilizar equipamiento de protección personal. Los fragmentos de una pieza de trabajo o un accesorio roto podrían volar y causar lesiones lejos del área inmediata de uso.
- j) **Sostenga la herramienta únicamente por medio de superficies aislantes, al realizar una operación en la que el accesorio de corte pueda entrar en contacto con cableado oculto o con su propio cable.** El contacto con conductores bajo tensión puede hacer que las partes metálicas del aparato le provoquen una descarga eléctrica.
- k) **Coloque el cable lejos de los accesorios giratorios.** Si pierde el control, el cable podría cortarse o quedar atascado, arrastrando su mano o brazo hacia el accesorio giratorio.
- l) **No deposite la herramienta hasta que el accesorio se haya detenido por completo.** El accesorio giratorio podría arrastrar la superficie y tirar de la herramienta fuera de su control.
- m) **No utilice la herramienta mientras la transporta a un lado.** El contacto accidental con el accesorio giratorio podría arrastrar su ropa, atrayendo el accesorio hacia su cuerpo.
- n) **Limpie regularmente las ventilaciones de la herramienta.** El ventilador del motor arrastra el polvo hacia el interior de la carcasa, y la acumulación excesiva de polvo metálico podría generar riesgos eléctricos.
- o) **No utilice la herramienta cerca de materiales inflamables.** Las chispas podrían prender los materiales.
- p) **No utilice accesorios que requieran refrigerantes líquidos.** El uso de agua u otros refrigerantes líquidos podría provocar una electrocución o descarga.
- q) **Sostenga el asa con la mano mientras trabaja.** Utilice siempre las asas auxiliarse suministradas con la herramienta. La pérdida de control podría provocar lesiones personales.

OTRAS INSTRUCCIONES DE SEGURIDAD PARA TODAS LAS OPERACIONES

Advertencias sobre retroceso y relacionadas

El retroceso es una reacción súbita provocada por una

pieza giratoria, panel de lijado, cepillo u otro accesorio atascado. El atasco causa una rápida detención de accesorio giratorio, que a su vez provoca una fuerza sin control en la herramienta, opuesta a la dirección de giro del accesorio en el punto del atasco.

Por ejemplo, si una rueda de lijado queda atascada en la pieza de trabajo, el borde de la rueda que entra en la superficie del material podría producir un retroceso. La rueda podría saltar hacia el usuario o en dirección contraria, dependiendo de la dirección de movimiento de la rueda en el punto del atasco. Las ruedas de lijado podrían además romperse en estas condiciones.

El retroceso es el resultado del mal uso de la herramienta y/o un procedimiento de uso o condición que pudiera evitarse tomando las precauciones siguientes.

- a) **Mantenga agarrada la herramienta con firmeza y coloque su cuerpo y sus brazos de forma que pueda resistir las fuerzas de retroceso. Utilice siempre el asa auxiliar, si existe, para mantener el máximo control del retroceso o la reacción de torsión durante el arranque.** El usuario puede controlar la reacción de torsión o las fuerzas de retroceso si se toman las precauciones adecuadas.
- b) **Nunca coloque las manos cerca del accesorio giratorio.** El accesorio podría retroceder sobre su mano.
- c) **No coloque su cuerpo en el área en el que pueda producirse un retroceso de la herramienta,** la fuerza de retroceso empujará la herramienta en dirección opuesta al movimiento de la rueda en el punto del atasco.
- d) **Tenga especial cuidado al trabajar en esquinas, bordes afilados, etc. Evite hacer rebotar el accesorio.** Las esquinas, bordes afilados o botes tienen tendencia a atascar el accesorio giratorio y causan la pérdida de control o el retroceso.
- e) **No instale una hoja de labrado de madera de cadena de sierra u hoja de sierra dentada.** Con frecuencia, dichas hojas crean fuerzas de retroceso y situaciones de pérdida de control.

INSTRUCCIONES DE SEGURIDAD ADICIONALES PARA OPERACIONES DE AMOLADURA Y CORTE

Advertencias de seguridad específicas de las operaciones de amoladura y corte abrasivo

- a) **Utilice únicamente los tipos de rueda recomendados para su herramienta y la protección específica designada para la rueda seleccionada.** Las ruedas para las que la herramienta no haya sido diseñada no quedarán correctamente protegidas y serán inseguras.
- b) **Los discos de amolar con centro deprimido deberán montarse de manera que la cara de amolado no alcance a sobresalir del reborde de la caperuza de protección.** Un disco de amolar incorrectamente montado cuya

cara frontal rebase el reborde de la caperuza de protección no puede ser convenientemente protegido.

- c) **La protección debe encontrarse firmemente colocada sobre la herramienta y posicionada para su máxima seguridad, de forma que se exponga la menor cantidad de la rueda hacia el operador.** La misión de la caperuza protectora es proteger al usuario de los fragmentos que puedan desprenderse del útil, del contacto accidental con este, y de las chispas que pudieran incendiar su ropa.
- d) **Las ruedas deben utilizarse únicamente para las aplicaciones recomendadas. Por ejemplo: no realice amoladuras con el borde de una rueda de corte. Las ruedas de corte abrasivo se fabrican para la amoladura periférica.** La aplicación de fuerza lateral sobre este tipo de ruedas puede causar su vibración.
- e) **Utilice siempre bridas de rueda sin daños, del tamaño y forma correctos para la rueda seleccionada.** Las bridas de rueda adecuadas soportan la rueda y reducen la posibilidad de rotura de la rueda. Las bridas para ruedas de corte podrían ser diferentes de las bridas de rueda de amoladura.
- f) **No utilice ruedas desgastadas de herramientas más grandes.** Las ruedas diseñadas para herramientas más grandes no son adecuadas para herramientas de mayor velocidad o más pequeñas y podrían explotar.

INSTRUCCIONES DE SEGURIDAD ADICIONALES PARA OPERACIONES DE CORTE **Advertencias de seguridad específicas adicionales para operaciones de corte abrasivo:**

- a) **No "atasque" la rueda de corte ni aplique presión excesiva sobre ella. No intente hacer un corte demasiado profundo.** Si fuerza la rueda aumentará la carga y la susceptibilidad de torcedura de la rueda en el corte, aumentando la posibilidad de retroceso o rotura de la rueda.
- b) **No coloque su cuerpo alineado y detrás del plano de giro de la rueda.** Si la rueda y el punto de operación se mueven en sentido contrario a su cuerpo, la posible fuerza de retroceso podría lanzar la rueda y la herramienta directamente hacia usted.
- c) **Si la rueda está sujeta o al interrumpir un corte por cualquier razón, desactive la herramienta y sostenga la herramienta sin movimiento hasta que se detenga por completo.** No intente retirar la rueda de corte mientras se encuentre en movimiento para evitar las fuerzas de retroceso. Investigue y tome las acciones correctoras necesarias para eliminar la causa del atasco en la rueda.
- d) **No vuelva a iniciar la operación de corte**

con la pieza de trabajo. Deje que la rueda alcance toda la velocidad antes de comenzar el corte. La rueda podría atascarse o provocar una fuerza de retroceso si vuelve a colocarse sobre la pieza de trabajo.

- e) Coloque paneles de apoyo o piezas de trabajo más grandes para minimizar el riesgo de atascar la rueda.** Las piezas de trabajo grandes tienden a doblarse por su propio peso. El soporte debe colocarse bajo la pieza de trabajo, cerca de la línea de corte y del borde de la pieza de trabajo, en ambos lados de la rueda.
- f) Tenga especial cuidado al realizar un corte en una pared u otra zona de la que no conozca el interior.** La rueda sobresaliente podría cortar tuberías de gas o agua, cableado eléctrico u objetos que podrían causar retrocesos.

SÍMBOLOS

	Para reducir el riesgo de lesión, lea el manual de instrucciones
	Clase de protección
	Advertencia
	Utilice protección auditiva
	Utilizar protección ocular
	Utilizar una máscara antipolvo
	Utilice guantes de protección.
	Asegúrese de que la herramienta está desenchufada a antes de cambiar los accesorios.
	Los residuos de aparatos eléctricos y electrónicos no deben depositarse en la basura doméstica. Se deben reciclar en las instalaciones especializadas. Consulte a las autoridades locales o el establecimiento para saber cómo reciclar estos productos.

INSTRUCCIONES DE FUNCIONAMIENTO




NOTA: Antes de usar la herramienta lea el manual de instrucciones detenidamente.

USO INDICADO:

El aparato ha sido proyectado para tronzar, desbastar y cepillar metales y materiales de piedra sin la aportación de agua. Para tronzar metal es necesario emplear una caperuza protectora especial para tronzar (accesorio especial).

MONTAJE Y FUNCIONAMIENTO

Acción	Figura
MONTAJE	
Empuñadura auxiliar ajustable	Ver A
Montaje del disco de corte/de amolar	Ver B1, B2, B3
Ajuste del protector del disco ATENCIÓN: Antes de cualquier manipulación en el aparato extraer el enchufe de la red. Al trabajar con discos de desbastar o tronzar debe emplearse la caperuza protectora. El resalte codificador que lleva la caperuza protectora (10) garantiza que sea montada solamente la caperuza protectora adecuada al tipo de aparato. Aflojar la palanca de fijación (9). Insertar el resalte codificador de la caperuza protectora (10) en la ranura de codificación del cuello del husillo del cabezal del aparato y girarla a la posición requerida (posición de trabajo). Para sujetar la caperuza protectora (10) apretar la palanca de fijación (9). El lado cerrado de la caperuza protectora (10) debe mostrar siempre hacia el usuario.	Ver C
FUNCIONAMIENTO	
Conexión de la alimentación	Ver D
Uso del interruptor de encendido/apagado	Ver E
Zonas de sujeción	Ver F
Desbaste  ¡ADVERTENCIA! No utilice nunca un disco de corte para desbastar.	
Tronzado	Ver G

CONSEJOS DE TRABAJO PARA SU HERRAMIENTA

1. Comience siempre sin carga para alcanzar la máxima velocidad y luego comience a trabajar.
2. No fuerce el disco para trabajar más rápido; la reducción de velocidad del disco significa un funcionamiento por más tiempo.
3. Trabaje siempre con un ángulo de 15-30 entre el disco y la pieza de trabajo. Ángulos más grandes cortarían cantos en la pieza de trabajo y afectan el acabado superficial. Desplace la amoladora angular a lo largo de la pieza, una y otra vez.
4. Cuando utilice un disco de corte nunca cambie el ángulo de corte, ya que así atascará el disco o el motor de la amoladora, o romperá el disco. Cuando efectúe cortes, hágalo sólo en dirección opuesta a la rotación del disco. Si corta en la misma dirección de rotación del disco, éste puede proyectarse fuera de la ranura de corte.
5. Cuando corte materiales muy duros, puede lograr mejores resultados con un disco de diamante.
6. Cuando emplee un disco del diamante este se recalentará mucho. Si esto sucede, verá un anillo de chispas alrededor del disco en movimiento. Suspendeda el corte y deje enfriar a velocidad sin carga durante 2-3 minutos.
7. Asegúrese siempre de sostener firmemente la pieza de trabajo -con o sin abrazaderas- para prevenir el movimiento.

MANTENIMIENTO

Retire el enchufe de la toma de corriente antes de efectuar cualquier ajuste, reparación o mantenimiento.

No posee piezas en su interior que deban ser reparadas por el usuario. Nunca emplee agua o productos químicos para limpiar su herramienta. Use simplemente un paño seco. Guarde siempre su herramienta en un lugar seco. Mantenga limpias las ranuras de ventilación del motor. Mantenga todos los controles de funcionamiento libres de polvo. La observación de chispas que destellan bajo las ranuras de ventilación indica un funcionamiento normal que no dañará su herramienta. Si el cable de alimentación está dañado deberá ser reemplazado por el fabricante, su agente de servicio o por alguna persona cualificada para evitar riesgos.

RESOLUCIÓN DE PROBLEMAS

Aunque su nueva amoladora de ingletes es realmente fácil de utilizar, si experimenta algún problema, compruebe los siguientes puntos:

1. Si su amoladora no funciona, compruebe que la toma eléctrica transmita energía.
2. Si vibra la rueda de la amoladora, compruebe que la brida exterior esté bien colocada y que la rueda esté bien colocada en la placa de la brida.
3. Si existen evidencias de daños en la rueda, no la utilice. La rueda dañada podría desintegrarse. Extráigala y reemplácela por una rueda nueva. Deshágase las ruedas antiguas con sensatez.
4. Si trabaja con aluminio u otra aleación similar, es posible que la rueda se atasque rápidamente y no realice la amoladura con eficacia.

PROTECCIÓN AMBIENTAL



Los residuos de aparatos eléctricos y electrónicos no deben depositarse en la basura doméstica. Se deben reciclar en las instalaciones especializadas. Consulte a las autoridades locales o el establecimiento para saber cómo reciclar estos productos.

DECLARACIÓN DE CONFORMIDAD

Los que reciben,
POSITEC Germany GmbH
Konrad-Adenauer-Ufer 37
50668 Köln

Declaran que el producto
Descripción **WORX Amoladora Angular**
Modelo **WX710 WX711 WX712 (700-749**
-designación denominaciones de maquinaria,
representantes de Amoladora Angular)
Funciones **Afilado periférico y lateral**

Cumple con las siguientes Directivas,
2006/42/EC, 2004/108/EC, 2011/65/EU

Cumple las normativas
EN 55014-1 **EN 55014-2**
EN 61000-3-2 **EN 61000-3-3**
EN 60745-1 **EN 60745-2-3**

La persona autorizada para componer el archivo técnico,
Firma Russell Nicholson
Dirección Positec Power Tools (Europe) Ltd,
PO Box 152, Leeds, LS10 9DS, UK



Suzhou 2015/06/30

Allen Ding

Ingeniero Jefe Adjunto. Pruebas y Certificación.

1. ASSTOPVERGREDELING**2. AAN/UIT-SCHAKELAAR****3. TRILLINGSVRIJ HANDGREEP****4. STELSLEUTEL****5. BINNENSTE FLENS****6. BUITENSTE FLENS****7. MOER OM KLEM IN TE STELLEN****8. UITGAANDE AS****9. BESCHERMING VAN KLEMHENDEL****10. WIELKAP VOOR HET SLIJPEN****11. SLIJPSCHIJF*****12. BESCHERMKAP VOOR DOORSLIJPEN***


* Niet alle afgebeelde of beschreven toebehoren worden standaard meegeleverd.

TECHNISCHE GEGEVENS

Type **WX710 WX711 WX712 (700-749 - aanduiding van machines, kenmerkend voor Haakse slijpmachine)**

	WX710	WX711	WX712
Spanning	220-240V~50/60Hz		
Opgenomen vermogen	860W	750W	860W
Nominaal toerental	12,000/min		
Slijpschijfdiameter	100mm	115mm	125mm
Binnendiameter schijf	16mm	22.2mm	22.2mm
Schroefdraad as	M10	M14	M14
Dubbele isolatie	<input type="checkbox"/> //		
Gewicht	2.0 kg		

GELUIDSPRODUCTIE

	WX710	WX711 WX712
A-gewogen geluidsdruk	L_{pA} : 92.7dB(A)	L_{pA} : 89.7dB(A)
A-gewogen geluidsniveau	L_{WA} : 103.7dB(A)	L_{WA} : 100.7dB(A)
K_{pA} & K_{WA}	3.0dB(A)	
Drag gehoorbescherming indien de geluidsdruk hoger is dan	80dB(A) 	

TRILLINGSGEGEVENS

		WX710	WX711 WX712
Totale trillingswaarden (triax vector-som) volgens EN 60745:			
Gewogen trillingswaarde	Trillingsemisiewaarde (hoofdhandvat)	$a_h = 4,071\text{m/s}^2$	$a_h = 5,124\text{m/s}^2$
	Trillingsemisiewaarde (hulphandvat)	$a_h = 4,557\text{m/s}^2$	$a_h = 9,136\text{m/s}^2$
	Onzekerheid K = 1.5m/s^2		

De opgegeven totale trillingswaarde kan worden gebruikt om een gereedschap met een ander te vergelijken en kan ook dienen als een voorlopige beoordeling van de blootstelling.

WAARSCHUWING: De trillingsemisiewaarde tijdens het feitelijke gebruik van dit elektrisch gereedschap kan afwijken van de opgegeven waarde, afhankelijk van de wijze waarop het gereedschap wordt gebruikt, zoals in de volgende voorbeelden:

Hoe het gereedschap wordt gebruikt en welk materiaal wordt gesneden of geboord.

Of het gereedschap in goede staat verkeerd en correct wordt onderhouden.

Gebruik van de juiste toebehoren voor het gereedschap en of deze scherp zijn en in goede staat verkeren.

De stevigheid van de grip op de handgrepen en het eventuele gebruik van antivibratie-accessoires.

En of het gereedschap wordt gebruikt waarvoor het ontworpen is en in overeenstemming met deze instructies.

Dit gereedschap kan een trillingssyndroom in de handen en armen veroorzaken als het niet op de juiste wijze gehanteerd wordt.

WAARSCHUWING: Voor de nauwkeurigheid moet bij een schatting van het blootstellingsniveau in de feitelijke gebruiksomstandigheden rekening worden gehouden met alle delen van de bedrijfscyclus, zoals het moment waarop het gereedschap wordt uitgeschakeld en terwijl het gereedschap in werking is zonder daadwerkelijk gebruikt te worden. Dit kan het blootstellingsniveau over de totale werkperiode aanzienlijk verminderen.

Help de blootstelling aan trillingen te minimaliseren.

Gebruik ALTIJD scherpe beitels, boren en messen.

Onderhoud het gereedschap in overeenstemming met deze instructies en houd het goed gesmeerd (indien van toepassing).

Schaf antivibratie-accessoires aan wanneer u het gereedschap geregeld gebruikt.

Vermijd het gebruik van gereedschap bij temperaturen van 10°C of minder.

Plan de werkzaamheden zodat de taken met veel trillingen over een aantal dagen verspreid worden.

TOEBEHOREN

	WX710	WX711	WX712
Stelsleutel	1		
Metalen slijpschijf	1		
Extra handgreep	1	1	/
Trillingsvrij handgreep	/	/	1

Wij adviseren u alle accessoires te kopen in de winkel waar u het gereedschap heeft aangekocht. Gebruik producten van goede kwaliteit met een bekende merknaam. Kies het type dat geschikt is voor het werk dat u van plan bent uit te voeren. Kijk op de verpakking van accessoires voor meer informatie. Ook het winkelpersoneel kan u helpen en adviseren.

VEILIGHEIDSIINSTRUCTIES VOOR ALLE BEWERKINGEN

DEZE VEILIGHEIDSWAARSCHUWINGEN GELDEN VOOR SLIJP-, SCHUUR- EN SNIJBEWERKINGEN:

- a) **Deze machine is bedoeld om gebruikt te worden als slijpmachine, of zaag. Lees alle veiligheidswaarschuwingen, instructies, illustraties en specificaties die met deze machine geleverd zijn.** Worden de instructies hieronder niet opgevolgd, dank an dat resulteren in elektrische schok, brand en of ernstig letsel.
- b) **Bewerkingen zoals slijpen, staalborstelen, polijsten en afkorten worden met deze machine niet aanbevolen.** Bewerkingen waarvoor de machine niet bedoeld is, kunnen gevaarlijk zijn en persoonlijk letsel veroorzaken
- c) **Gebruik geen accessoires die niet speciaal ontworpen en aanbevolen zijn door de fabrikant van de machine.** Het feit dat een accessoire op de machine past, betekent niet dat de veilige werking gegarandeerd is.
- d) **De nominale snelheid van een accessoire moet minstens zo groot zijn als de maximale snelheid van de machine.** Accessoires die op een te hoge snelheid worden gebruikt, kunnen uit elkaar vliegen.,
- e) **De buitendiameter en de dikte van een accessoire moeten binnen de capaciteit van de machine passen.** Accessoires van de verkeerde grootte kunnen niet goed beschermd en bediend worden.
- f) **Inzetgereedschappen met schroefdraadinzetstuk moeten nauwkeurig op de schroefdraad van de uitgaande as passen. De gatdiameter van met een flens gemonteerde inzetgereedschappen moet passen bij de opnamediameter van de flens.** Inzetgereedschappen die niet nauwkeurig op het elektrische gereedschap bevestigd worden, draaien ongelijkmatig, trillen sterk en kunnen tot verlies van de controle leiden.
- g) **Gebruik geen beschadigde accessoires. Controleer de accessoires voor gebruik: schuurschijven op spaanders en barsten, scheuren en bovenmatige slijtage. Mocht de machine of een accessoire vallen, inspecteer hem dan op schade of gebruik een nieuw accessoire. Zorg er na inspectie en montage van een accessoire voor dat u en omstanders uit het vlak van het draaiende accessoire staan en laat de machine een minuut op maximale onbelaste snelheid draaien.** Een beschadigd accessories zal meestal tijdens een dergelijke test uit elkaar breken.
- h) **Draag persoonlijke beschermingsmiddelen. Afhankelijk van de werkzaamheden draagt u hoofdbescherming of een veiligheidsbril. Draag zonodig een stofmasker,**

gehoorbescherming, handschoenen en een schort waarmee afgeslepen materiaal en delen van het werkstuk mee kunnen worden opgevangen. De oogbescherming moet geschikt zijn om rondvliegende deeltjes op te vangen die bij de werkzaamheden ontstaan. Het stofmasker moet geschikt zijn om deeltjes uit de lucht te filteren. Langdurige blootstelling aan lawaai kan tot gehoorschade leiden.

- i) **Houd omstanders op een veilige afstand van het werkgebied. Iedereen die zich in het werkgebied bevindt moet persoonlijke beschermingsmiddelen dragen.** Brokstukken van het werkstuk en een gebroken accessoire kunnen wegvliegen en letsel veroorzaken, ook buiten de onmiddellijke omgeving van de werkzaamheden.
- j) **Houd de machine alleen vast bij de geïsoleerde handgrepen, wanneer uw werkzaamheden tot gevolg kunnen hebben dat het accessoire in contact komt met b) verborgen bedrading of het eigen netsnoer.** Contact met een onder spanning staande leiding kan ook metalen delen van het gereedschap onder spanning zetten en tot een elektrische schok leiden.
- k) **Houd het netsnoer uit de buurt van het draaiende accessoire.** Verliest u de macht over de machine, dan kan het snoer worden doorgesneden en bovendien kan uw hand of arm in het draaiende accessoire worden getrokken.
- l) **Leg de machine nooit neer als het accessoire nog in beweging is.** Het draaiende accessoire kan tegen de oppervlakte komen waardoor u de macht over de machine verliest.
- m) **Laat de machine niet draaien terwijl u hem opzij draagt.** Door onbedoeld contact met het draaiende accessoire kan uw kleding worden gegrepen, waardoor de machine in aanraking met uw lichaam komt.
- n) **Maak de ventilatieopeningen van de machine geregeld schoon.** De ventilator van de motor brengt stof binnen de behuizing en door ophoping van metalen deeltjes kan ere en elektrisch gevaar ontstaan
- o) **Gebruik de machine niet bij ontbrandbare materialen.** Ze zouden door vonken in brand kunnen raken.
- p) **Gebruik geen accessoires die een vloeibaar koelmiddel nodig hebben.** Het gebruik van water of andere vloeibare koelmiddelen kan elektrocutie of elektrische schokken tot gevolg hebben
- q) **Houd het handvat vast als u werkt. Gebruik altijd de hulphandvatten die met de machine geleverd zijn.** Als u de machine niet beheerst kan dat in persoonlijk letsel resulteren.

VERDERE VEILIGHEIDSIINSTRUCTIES VOOR ALLE BEWERKINGEN

Terugslag en daarmee verwante waarschuwingen Terugslag is een plotselinge reactie van een draaiend wiel of ander accessoire als het plotseling bekneld

raakt. Het accessoire blijft daardoor ineens stilstaan waardoor de machine onbeheerst gedwongen wordt in een richting die tegengesteld is aan de draairichting van het accessoire.

Bijvoorbeeld, als een slijpwiël in het werkstuk blijft klemzitten, dan zal de rand van het wiel zich in de oppervlakte van het materiaal graven waarna het wiel naar buiten schiet. Het wiel kan in de richting van de gebruiker schieten of in de andere richting, afhankelijk van de bewegingsrichting van het wiel op het moment dat het vast bleef zitten. Een schuurwiel kan onder die omstandigheden ook breken.

Terugslag is het gevolg van verkeerd gebruik van een machine en/of onjuiste bedrijfsprocedures en -omstandigheden. Met de juiste maatregelen kan het vermeden worden, zoals hieronder is beschreven.

- a) **Houd de machine stevig vast en zorg ervoor dat lichaam en armen in een zodanige positie staan dat u de terugslagkrachten kunt weerstaan. Maak steeds gebruik van het hulphandvat, als het aanwezig is, zodat u tijdens het opstarten maximale beheersing hebt over terugslag en koppelreacties.** De gebruiker kan koppelreacties en terugslagkrachten beheersen met de juiste voorzorgsmaatregelen.
- b) **Houd uw hand nooit bij het draaiende accessoire.** Het accessoire kan over uw hand terugslaan.
- c) **Houd uw lichaam niet op een plaats waar de machine komt als er terugslag optreedt.** Bij terugslag schiet de machine in een richting die tegengesteld is aan de beweging van het wiel, op het moment dat het wiel vastklemt.
- d) **Wees voorzichtig bij het werken langs hoeken, scherpe randen e.d. zodat vermeden wordt dat de machine terugstuiterd en het accessoire blijft vastzitten.** Hoeken, scherpe randen en stuiteren kunnen het draaiende accessoire vastgrijpen waardoor u de macht over de machine verliest of er terugslag optreedt.
- e) **Monteer geen kettingzaag, houtsnijmes of zaagblad met tanden.** Dergelijke gereedschappen geven vaak terugslag en het gevaar dat u de macht over de machine verliest.

EXTRA VEILIGHEIDSINSTRUCTIES VOOR SLIJPEN EN AFKORTEN

Veiligheidswaarschuwingen betreffende slijpen en schuurbewerkingen:

- a) **Gebruik alleen een wieltype dat is aanbevolen voor de machine en de specifieke beschermkap die voor dat wiel bedoeld is.** Wielen die niet geschikt zijn voor de machine kunnen niet goed beschermd worden en zijn onveilig.
- b) **Gebogen slijpschijven moeten zodanig gemonteerd worden dat hun slijpoppervlak niet boven de rand van de beschermkap uit steekt.** Een onjuist gemonteerd slijpschijf die over de rand van de slijpschijf uitsteekt, kan onvoldoende afgeschermd worden.

- c) **De kap moet stevig aan de machine bevestigd zijn en gepositioneerd zijn voor maximale veiligheid, zodat een minimale oppervlakte van het wiel in de richting van de gebruiker is blootgesteld.** De beschermkap helpt de bediener te beschermen tegen brokstukken en toevallig contact met het slijptoebehoren alsmede tegen vonken die de kleding kunnen doen ontbranden.
- d) **Wielen mogen alleen worden gebruikt voor aanbevolen toepassingen. Probeer bijvoorbeeld niet te slijpen met de kant van een snijwiel.** Een schurend snijwiel is bedoeld voor het slijpen van de oppervlakte – door kracht op de zijkant uit te oefenen zou het wielen uit elkaar kunnen liggen.
- e) **Gebruik steeds onbeschadigde wielflenzen die de juiste grootte en vorm hebben voor het gebruikte wiel.** De juiste wielflenzen ondersteunen het wiel en verminderen de kans dat het wiel breekt. Flenzen voor snijwielen zijn anders dan flenzen voor slijpwielen.
- f) **Gebruik geen afgeslepen wielen van een machine die werkt met een groter vermogen.** Een wiel dat geschikt is voor een groter vermogen, is niet geschikt voor de hogere snelheid van een kleinere machine en zou kunnen breken.

EXTRA VEILIGHEIDSINSTRUCTIES VOOR AFKORTEN **Andere veiligheidswaarschuwingen voor schurende snijbewerkingen:**

- a) **Laat het snijwiel niet “vastlopen” en gebruik geen overmatige druk. Probeer niet extra diep te snijden.** Door overbelasting van het wiel vergroot u de kans dat het wiel verbuigt of in de snede blijft vastzitten, waardoor het wiel terugslaat of breekt.
- b) **Zorg ervoor dat uw lichaam zich niet in de lijn van het draaiende wiel bevindt en niet erachter.** Beweegt het wiel, op het moment van gebruik, van uw lichaam af, dan zullen de machine en het wiel door een eventuele terugslag in uw richting komen.
- c) **Blijf het wiel vastzetten of moeten de werkzaamheden onderbroken worden, schakel de machine dan uit en houd hem stil tot het wiel volledig tot stilstand is gekomen. Probeer het snijwiel niet uit de snede te verwijderen terwijl het wiel in beweging is, want er kan terugslag optreden.** Onderzoek de oorzaak van het vastzittende wiel en neem maatregelen om het probleem te verhelpen.
- d) **Herstart de machine niet in het werkstuk. Laat het wiel tot volle snelheid komen en breng het weer terug in de snede.** Het wiel kan vastklemmen, wegglopen en terugslaan als de machine wordt gestart met het wiel in het werkstuk.
- e) **Ondersteun panelen en grote werkstukken om het gevaar van vastklemmen en terugslag te vermijden.** Een groot werkstuk kan


onder eigen gewicht doorzakken. Ondersteun het werkstuk in de buurt van de snijlijn en aan de rand van het werkstuk, aan weerszijden van het wiel.

- f) Wees extra voorzichtig bij het maken van een “zaksnede” tussen bestaande muren of in een ander blind gebied.** Het uitstekende wiel kan in contact komen met gas- en waterbuizen, met elektrische bedrading of andere voorwerpen waardoor er terugslag ontstaat.

SYMBOLLEN

	Lees de gebruikershandleiding om het risico op letsels te beperken.
	Veiligheidsklasse
	Waarschuwing
	Draag oorbescherming
	Draag een veiligheidsbril
	Draag een stofmasker
	Draag beschermende handschoenen.
	Zorg dat u het gereedschap van de netstroom is losgekoppeld voordat u accessoires vervangt.
	Afgedankte elektrische producten mogen niet bij het normale huisafval terechtkomen. Breng deze producten waar mogelijk naar een recyclecentrum bij u in de buurt. Vraag de verkoper of de gemeente informatie en advies over het recyclen van elektrische apparatuur.


BEDIENINGSINSTRUCTIES

-  **OPMERKING:** lees het instructieboekje aandachtig voor gebruik van het gereedschap.

BEOOGD GEBRUIK

De machine is bestemd voor het doorslijpen, afbramen en borstelen van metaal en steen zonder gebruik van water. Voor het doorslijpen van steen is een geleideslede voorgeschreven. Voor het doorslijpen van metaal moet een speciale beschermkap voor doorslijpen (toebehoren) worden gebruikt.

ASSEMBLAGE EN BEDIENING

Actie	Afbeelding
ASSEMBLAGE	
Instelbare voorste handgreep	Zie A
Montage Slijp-/snijdschijf	Zie B1, B2, B3
Aanpassen van de beschermkap OPMERKING: Trek altijd voor werkzaamheden aan de machine de stekker uit het stopcontact. Voor werkzaamheden met afbraam- of doorslijpschijven moet de beschermkap gemonteerd zijn. De codeernok op de beschermkap (10) zorgt ervoor dat alleen een bij dit type machine passende beschermkap gemonteerd kan worden. Open de spanhendel (9). Plaats de beschermkap 6 met de codeernok in de codeergroef op de ashals aan de voorzijde van de machine en draai de beschermkap in de gewenste stand (werkstand). Sluit de spanhendel (9) voor het vastklemmen van de beschermkap (10). De gesloten zijde van de beschermkap (10) moet altijd naar de bediener wijzen.	Zie C
BEDIENING	
Voeding aansluiten	Zie D
Aan/Uit-schakelaar	Zie E
Handgrepen	Zie F
Ruw slijpen  WAARSCHUWING! Nooit een snijdschijf gebruiken of te ruwen.	
Doorslijpen	Zie G

AANWIJZINGEN VOOR HET GEBRUIK VAN DE HAAKSE SLIJPMACHINE

1. Begin altijd onbelast totdat de maximale snelheid

- is bereikt en begin dan pas met werken.
- Forceer de schijf niet om sneller te willen werken, het verminderen van de bewegingssnelheid van de schijf leidt tot langere werktijd.
 - Houd altijd een hoek van 15-30 graden tussen de schijf en het werkobject. Grotere hoeken veroorzaken groeven in het werkobject en tasten de afwerking van het oppervlak aan. Beweeg de slijpmachine overdwars of heen en weer over het werkobject.
 - Verander bij het gebruik van een doorslijpschijf nooit de slijphoek, hierdoor kan de schijf namelijk stoppen of breken, of de motor afslaan. Slijp bij het doorslijpen alleen tegen de slijprichting van de schijf in, anders kan de schijf zich uit de groef duwen. Bij het doorslijpen van zeer hard materiaal, verkrijgt u het beste resultaat met een diamantschijf.
 - Bij het gebruik van een diamantschijf wordt deze heel heet.
 - U zult dan een vonkenring zien rondom de draaiende schijf. Stop dan met snijden en laat de snijmachine gedurende 2-3 minuten afkoelen door deze onbelast te laten draaien.
 - Zorg er altijd voor dat het werkobject goed vastzit met behulp van klemmen of anderszins zodat deze niet kan bewegen.

ONDERHOUD

Trek de voedingskabel uit de aansluiting voordat u eventuele aanpassingen, reparaties of onderhoud uitvoert.

Dit gereedschap bevat geen onderdelen die door de gebruiker dienen te worden onderhouden. Gebruik nooit water of chemische reinigingsmiddelen voor het schoonmaken van uw elektrische gereedschap. Veeg schoon met een droge doek. Bewaar uw elektrische gereedschap altijd op een droge plaats. Houd de ventilatieopeningen van de motor schoon. Houd alle bedieningselementen vrij van stof. Af en toe ziet u vonken in de ventilatiegleuven. Dit is normaal en zal uw gereedschap niet beschadigen. Is de voedingskabel beschadigd, dan moet hij, om risico te voorkomen, worden vervangen door de fabrikant, zijn vertegenwoordiger of een ander bevoegd persoon.

PROBLEMEN OPLOSSEN

De haakse slijpmachine is gemakkelijk te bedienen. Mochten er problemen zijn, controleer dan het volgende:

- Draait de slijpmachine niet, controleer dan de voeding op het stopcontact.
- Trit of zwabbert het slijpwiel, controleer dan of de buitenste flens goed vastzit en dat het wiel zich goed op de flensplaat bevindt.
- Toont het wiel enig teken van beschadiging, gebruik het dan niet. Het beschadigde wiel kan uit

- elkaar vallen. Verwijder het en gebruik een nieuw wiel. Gooi een oud slijpwiel verstandig weg.
- Werkt u met aluminium of een dergelijke zachte legering, dan zal het wiel spoedig verstopt raken zodat het niet meer effectief kan slijpen.

BESCHERMING VAN HET MILIEU



Afgedankte elektrische producten mogen niet bij het normale huisafval terecht komen. Breng deze producten waar mogelijk naar een recyclecentrum bij u in de buurt. Vraag de verkoper of de gemeente informatie en advies over het recyclen van elektrische apparatuur.

CONFORMITEITVERKLARING

Wij,
 POSITEC Germany GmbH
 Konrad-Adenauer-Ufer 37
 50668 Köln

Verklaren dat het product
 Beschrijving **WORX Haakse slijpmachine**
 Type **WX710 WX711 WX712 (700-749 -**
aanduiding van machines, kenmerkend voor
Haakse slijpmachine)
 Functie **Slijpen langs de rand en zijwaarts**

Voldoet aan de volgende richtlijnen,
2006/42/EC, 2004/108/EC, 2011/65/EU

Normen voldoen aan,
EN 55014-1 **EN 55014-2**
EN 61000-3-2 **EN 61000-3-3**
EN 60745-1 **EN 60745-2-3**

De persoon die bevoegd is om het technische bestand te compileren,
Naam Russell Nicholson
Adres Positec Power Tools (Europe)Ltd, PO
Box 152,Leeds,LS10 9DS,UK



Suzhou 2015/06/30
 Allen Ding
 Plaatsvervangend Chief Ingenieur, Testen en

1. PRZYCISK BLOKADY WRZECIONA
2. WŁĄCZNIK/WYŁĄCZNIK
3. DODATKOWY BOCZNY UCHWYT ANTYWIBRACYJNY
4. KLUCZ
5. KOŁNIERZ WEWNĘTRZNY
6. KOŁNIERZ ZEWNĘTRZNY
7. NAKRĘTKA REGULACJI ZACISKU
8. WRZECIONO
9. DŹWIGNIA DOCISKOWA OSŁONY
10. OSŁONA TARCZY SZLIFOWANIA SZLIFOWANIA
11. TARCZA*
12. OSŁONA TARCZY DO CIĘCIA*


* Nie wszystkie pokazane na ilustracji akcesoria są dostarczane standardowo.

DANE TECHNICZNE

Typ **WX710 WX711 WX712** (700-749 oznaczenie urządzenia, reprezentuje Szlifierka kątowa)

	WX710	WX711	WX712
Napięcie znamionowe	220-240V~50/60Hz		
Moc znamionowa	860W	750W	860W
Prędkość znamionowa bez obciążenia	12,000/min		
Rozmiar tarczy	100mm	115mm	125mm
Średnica tarczy	16mm	22.2mm	22.2mm
Gwint wrzeciona	M10	M14	M14
Podwójna izolacja	<input type="checkbox"/> II		
Masa urządzenia	2.0 kg		

DANE DOTYCZĄCE HAŁASU I WIBRACJI

	WX710	WX711 WX712
Ważone ciśnienie akustyczne	L_{pA} : 92.7dB(A)	L_{pA} : 89.7dB(A)
Ważona moc akustyczna	L_{WA} : 103.7dB(A)	L_{WA} : 100.7dB(A)
K_{pA} & K_{WA}	3.0dB(A)	
Używać ochrony słuchu, gdy ciśnienie akustyczne przekracza	80dB(A) 	

INFORMACJE DOTYCZĄCE DRGAŃ

		WX710	WX711 WX712
Łączna wartość drgań (suma wektora triax) określona według normy EN 60745:			
Typowa wibracja ważona	Wartość przenoszenia wibracji (dla głównego uchwytu)	$a_h = 4,071\text{m/s}^2$	$a_h = 5,124\text{m/s}^2$
	Wartość przenoszenia wibracji (dla uchwytu dodatkowego)	$a_h = 4,557\text{m/s}^2$	$a_h = 9,136\text{m/s}^2$
	Niepewność $K = 1.5\text{m/s}^2$		

Zadeklarowana całkowita wartość wibracji może być wykorzystana do porównania jednego narzędzia z innym oraz może być użyta we wstępnej ocenie narażenia.

! **OSTRZEŻENIE:** Wartość emisji wibracji w czasie rzeczywistego używania elektronarzędzia może się różnić od zadeklarowanej, w zależności od sposobu używania narzędzia w następujących przykładach i innych sposobach używania narzędzia:

Jak używane jest narzędzie oraz, czy materiał jest cięty czy wiercony.

Czy narzędzie jest w dobrym stanie i czy jest prawidłowo konserwowane.

Czy używane są prawidłowe akcesoria narzędzia i czy narzędzie jest właściwie naostrzone oraz w dobrym stanie.

Czy dokręcone są szczęki na uchwycie i czy używane są jakiegokolwiek akcesoria antywibracyjne.

Oraz, czy narzędzie jest używane zgodnie z przeznaczeniem i według instrukcji.

Nieprawidłowe prowadzenie tego narzędzia może spowodować syndrom wibracji rąk

! **OSTRZEŻENIE:** W szczególności, oszacowanie poziomu ekspozycji w rzeczywistych warunkach używania powinno brać także pod uwagę wszystkie elementy cyklu działania, takie jak czasy wyłączenia narzędzia i czas bezczynności, ale nie rzeczywiście wykonywaną pracę. Może to znacznie zmniejszyć poziom ekspozycji w całym okresie pracy.

Pomoc w minimalizacji narażenia na wibracje.

Należy ZAWSZE używać ostrych dłut, wiertel i ostrzy

Narzędzie należy konserwować z godnie z instrukcjami i prawidłowo smarować (w odpowiednich miejscach)

Jeśli narzędzie jest używane regularnie należy zakupić akcesoria antywibracyjne.

Należy unikać używania narzędzi w temperaturach 10°C lub niższych

Należy zaplanować harmonogram pracy w celu rozłożenia używania narzędzi wytwarzających wysoki poziom drgań na kilka dni.

AKCESORIA

	WX710	WX711	WX712
Klucz		1	
Tarcza do szlifowania metalu		1	
Uchwyt boczny	1	1	/
Dodatkowy boczny uchwyt antywibracyjny	/	/	1

Zaleca się zakup wszystkich akcesoriów w sklepie, gdzie zakupiono narzędzie. Używać dobrej jakości akcesoriów oznaczonych dobrze znanymi markami. Więcej szczegółów można znaleźć w dodatkowym opakowaniu. Personel sklepu może również udzielić pomocy i porad.

INSTRUKCJE BEZPIECZEŃSTWA DLA WSZYSTKICH OPERACJI

OSTRZEŻENIA BEZPIECZEŃSTWA DOTYCZĄCE OPERACJI SZLIFOWANIA LUB CIĘCIA:

- a) **To narzędzie jest przeznaczone do pracy jako szlifierka grinder. Należy przeczytać wszystkie ostrzeżenia dotyczące bezpieczeństwa, instrukcje, zapoznać się z rysunkami i przedstawionymi danymi technicznymi.** Nieprzestrzeganie wszystkich instrukcji przedstawionych poniżej może spowodować porażenie elektryczne, pożar i/lub poważne zranienia.
- b) **Nie zalecane jest wykonywanie prac takich jak szlifowanie, szcztokowanie, polerowanie lub cięcie przy użyciu tego narzędzia.** Wykonywanie prac niezgodnych z przeznaczeniem urządzenia może stwarzać niebezpieczeństwo i spowodować porażenia
- c) **Nie można używać akcesoriów, które nie zostały specjalnie zaprojektowane i nie są zalecane przez producenta narzędzia,** To, że dowolne akcesoria da się podłączyć do urządzenia, nie gwarantuje bezpiecznej pracy.
- d) **Prędkość znamionowa dołączanych akcesoriów musi być co najmniej równa prędkości maksymalnej podanej na narzędziu,** Akcesoria pracujące z prędkością wyższą od ich prędkości znamionowej mogą się rozlecieć,
- e) **Średnica zewnętrzna oraz grubość akcesoriów musi zawierać się w granicach znamionowych dla narzędzia.** Nieprawidłowo dobrane pod względem rozmiaru akcesoria nie mogą być prawidłowo zabezpieczone i kontrolowane.
- f) **Narzędzia robocze z wkładką gwintowaną muszą dokładnie pasować na gwint na wrzescie. W przypadku narzędzi roboczych, mocowanych przy użyciu kołnierza średnica otworu narzędzia roboczego musi być dopasowana do średnicy kołnierza.** Narzędzia robocze, które nie mogą być dokładnie osadzone na elektronarzędziu, obracają się nierównomiernie, bardzo mocno wibrują i mogą spowodować utratę kontroli nad elektronarzędziem.
- g) **Nie można używać uszkodzonych akcesoriów.** Przed każdym użyciem akcesoria należy sprawdzić w zakresie pęknięć i zadrapań tarcz ściernych, pęknięć płyt mocujących, złamań lub nadmiernego zużycia, braku lub pęknięć na drutach szcztok. Jeśli urządzenie lub akcesoria spadną, należy sprawdzić, czy nie uległy uszkodzeniu lub zamontować oprzyrządowanie nieszkodzone. Po sprawdzeniu i zamontowaniu oprzyrządowania, użytkownik i osoby postronne muszą zająć pozycję z dala

od płaszczyzny wirowania akcesoriów, a następnie na jedną minutę uruchomić narzędzie przy maksymalnej prędkości bez obciążenia. Podczas tego testu uszkodzone akcesoria po prostu rozpadną się.

- h) **Należy stosować sprzęt ochrony osobistej.** Zależnie od prowadzonych prac należy stosować osłonę twarzy, okulary bezpieczeństwa lub gogle zabezpieczające. **W razie potrzeby należy zastosować maskę przeciwpyłową, nauszniki, rękawice i filtr zabezpieczający przed małymi cząstkami.** Osłona oczu powinna zatrzymać cząstki lotne wytwarzane przy różnych pracach. Maski przeciwpyłowa lub respirator muszą być w stanie zatrzymać cząstki wytwarzane przy danej operacji. Przebywanie przez dłuższy czas w hałasie o dużym natężeniu może spowodować utratę słuchu
- i) **Osoby postronne powinny przebywać w bezpiecznej odległości od obszaru pracy. Każdy wchodzący w obszar pracy musi używać odpowiedni sprzęt ochrony.** Fragmenty cząstek lub uszkodzonych akcesoriów mogą uderzyć raniąc człowieka, nawet poza obszarem bezpośredniej pracy.
- j) **Podczas wykonywania prac, w których przyrządy tnące mogą przeciąć kabel elektryczny, narzędzie można trzymać jedynie za izolowaną powierzchnię karbowaną.** Kontakt z przewodem sieci zasilającej może spowodować przekazanie napięcia na części metalowe elektronarzędzia, co mogłoby spowodować porażenie prądem elektrycznym.
- k) **Kabel należy ułożyć z dala od elementów wirujących.** Po utracie kontroli, kabel może zostać przecięty bądź wplątany, a ręka lub ramię zostać wciągnięte przez element obracający się.
- l) **Narzędzia nie można odkładać po wyłączeniu zasilania, aż do chwili zatrzymania elementu obrotowego.** Elementy obracające się mogą zatarte o powierzchnię, co spowoduje utratę nad nimi kontroli,
- m) **Narzędzia nie można włączać podczas przenoszenia.** Przypadkowe dotknięcie obracających się elementów może spowodować wciągnięcie ubrania i uderzenie elementem.
- n) **Regularnie należy czyścić otwory wentylacyjne narzędzia.** Wentylator silnika powoduje wciąganie do wnętrza kurzu i zbyt duże nagromadzenie opiłków metalu może spowodować zagrożenie porażeniem elektrycznym
- o) **Urządzenie nie może pracować w pobliżu materiałów palnych.** Iskry mogą spowodować zapłon tych materiałów.
- p) **Nie można używać akcesoriów, które wymagają chłodzenia cieczą.** Używanie wody lub innych cieczy może spowodować porażenie prądem nawet śmiertelne
- q) **Podczas pracy ręka powinna trzymać uchwyt.** Należy zawsze korzystać z pomocniczych uchwytów

dostarczonych z narzędziem. Utrata kontroli może spowodować obrażenia osobiste

DALSZE INSTRUKCJE BEZPIECZEŃSTWA DLA WSZYSTKICH OPERACJI

Odbicie i związane z tym zagrożenia

Odbicie jest gwałtowną reakcją na zablokowanie lub zakleszczenie obracającego się koła płyty podstawy, szczotki lub innych akcesoriów. Zablokowanie lub zakleszczenie powoduje nagłe zatrzymanie obracających się akcesoriów, które z kolei spowoduje wytworzenie siły skierowanej przeciwnie do kierunku obrotów w punkcie zablokowania.

Na przykład, jeśli tarcza ścierna nie pęknięta lub zarysowana, jej zablokowanie lub zakleszczenie w obrabianym elemencie może spowodować jej podniesienie lub odbicie. Koło może gwałtownie przesunąć się w stronę operatora lub w kierunku przeciwnym, zależnie od kierunku obrotu koła w punkcie zakleszczenia. W takim przypadku tarcza ścierna może również pęknąć.

Odbicie jest wynikiem nieprawidłowego wykorzystania narzędzia i/lub nieprawidłowych procedur lub warunków pracy i można go uniknąć stosując się do poniższych zaleceń.

- a) Należy pewnie chwycić uchwyt narzędzia i przyjąć postawę ciała i ramienia, które pozwolą opanować siłę odbicia. Zawsze należy używać rączki pomocniczej, jeśli jest dostarczona, dla zachowania maksymalnej kontroli przy odbiciu lub podczas działania momentu obrotowego przy uruchamianiu.** Operator może kontrolować siłę odbicia lub od momentu przy uruchamianiu, jeśli będzie przestrzegał odpowiednich zaleceń.
- b) Nie można chwycać narzędzia w pobliżu elementów obracających się.** Akcesoria mogą spowodować odbicie w rękę.
- c) Nie można zajmować pozycji w płaszczyźnie działania siły odbicia,** Odbicie spowoduje ruch urządzenia w kierunku przeciwnym do ruchu koła w punkcie zakleszczenia.
- d) Należy zachować szczególną ostrożność podczas pracy w rogach, przy ostrych krawędziach, itp., unikać blokowania lub zakleszczania akcesoriów.** Rogi, ostre krawędzie lub odskoczenie mogą blokować obracające się elementy i powodować utratę kontroli nad narzędziem lub odbicie.
- e) Nie należy zakładać tarcz z łańcuchem do cięcia drewna lub tarcz z zębami.** Mogą one powodować częste odbicia i utratę kontroli.

DODATKOWE INSTRUKCJE BEZPIECZEŃSTWA DOTYCZĄCE OPERACJI SZLIFOWANIA I CIĘCIA

Ostrzeżenia dotyczące bezpieczeństwa specyficzne dla szlifowania i cięcia ściernicą:

- a) Zawsze należy stosować osłonę przewidzianą do wykorzystywanych tarcz. Osłonę należy bezwzględnie przymocować do narzędzia i ustawić dla zapewnienia**

maksymalnego bezpieczeństwa, aby jak najmniejsza część tarczy zagrażała operatorowi. Osłona zabezpiecza operatora przed kawałkami tarczy i przypadkowym jej dotknięciem.

- b) Tarcze szlifierskie wygięte należy mocować w taki sposób, aby ich powierzchnia szlifująca nie wystawała poza krawędź pokrywki ochronnej.** Niefachowo osadzona tarcza szlifierska, wystająca poza krawędź pokrywki ochronnej nie może być wystarczająco osłonięta.
- c) Należy używać wyłącznie tarcz zalecanych dla danego narzędzia i specjalnych osłon zaprojektowanych dla konkretnych tarcz.** Tarczowe ściernice tnące przeznaczane są do usuwania materiału krawędzią tarczy. Wpływ sił bocznych na te ściernice może je złamać.
- d) Tarcze mogą być używane wyłącznie w zalecanych zastosowaniach. Na przykład: Nie można szlifować krawędzią tarczy tnącej.** Ścierne tarcze tnące są przewidziane do ścierania zewnętrznego, obciążenie ich siłą z boku może spowodować ich rozpadnięcie.
- e) Zawsze należy stosować nieuszkodzone kolnierze tarcz, o prawidłowym rozmiarze i kształcie dla danej tarczy.** Prawidłowe kolnierze tarcz podtrzymują tarczę zmniejszając niebezpieczeństwo pęknięcia. Kolnierze dla tarcz tnących mogą różnić się od kolnierzy dla tarcz ściernych,
- f) Nie można używać zużytych tarcz z większych narzędzi.** Tarcze przeznaczone do stosowania z większymi narzędziami nie są odpowiednie do pracy z wyższymi prędkościami mniejszych narzędzi i mogą się spalić.

DODATKOWE INSTRUKCJE BEZPIECZEŃSTWA DOTYCZĄCE OPERACJI CIĘCIA

Dodatkowe ostrzeżenia bezpieczeństwa dotyczące cięcia ściernicą:

- a) Nie można dopuścić do zakleszczenia tarczy tnącej lub przykładać zbyt dużej siły, Nie można wycinać zbyt głęboko.** Przeciążenie tarczy spowoduje większą podatność na odkształcenia lub zakleszczenia w wycięciu i możliwość odbicia lub rozpadnięcia koła.
- b) Nie można stawać w linii obracającej się tarczy.** Jeśli tarcza w punkcie pracy kręci się w kierunku odwrotnym do ciała, odbicie może spowodować przesunięcie narzędzia bezpośrednio w stronę użytkownika.
- c) Po zakleszczeniu tarczy lub przerwaniu cięcia z dowolnego powodu, narzędzie należy wyłączyć i przytrzymać do całkowitego zatrzymania tarczy. Nie można wyjmować tarczy z wycięcia jeśli się obraca, może to spowodować odbicie.** Należy sprawdzić możliwość zakleszczenia tarczy i podjąć środki zapobiegawcze.
- d) Nie można ponownie zaczynać operacji cięcia w elemencie., Należy odczekać, aż tarcza odzyska prędkość znamionową i ponownie**

wprowadzić tarczę do wycięcia. Tarcza może się zakleszczyć, odbić lub wciągnąć narzędzie przy ponownym rozpoczynaniu pracy w wycięciu,

e) Panele i wszystkie inne elementy obrabiane należy podeprzeć, aby zmniejszyć ryzyko zakleszczenia lub odbicia tarczy. Większe elementy mogą się uginać pod własnym ciężarem. Podpory musi zostać umieszczone pod elementem w pobliżu linii cięcia i na krawędzi elementu po obu stronach tarczy.

f) Szczególną ostrożność należy zachować przy wykonywaniu nacięć kieszeniowych w ścianach lub innych pełnych elementach. Tarcza może spowodować uszkodzenie rur gazowych lub wodnych, przewodów elektrycznych lub innych elementów, które spowodują odbicie.

INSTRUKCJA OBSŁUGI



UWAGA: Przed użyciem narzędzia należy uważnie przeczytać instrukcję.

UŻYCIE ZGODNE Z PRZEZNACZENIEM:

Elektronarzędzie przewidziane jest do cięcia, ścierania i obrabiania za pomocą szczotek materiałów metalowych i kamiennych bez użycia wody. Do cięcia metalu należy użyć specjalnej pokrywy ochronnej (pokrywa ochronna do cięcia – do nabycia jako wyposażenie dodatkowe).

MONTAŻ I OBSŁUGA

Działanie	Rysunek
MONTAŻ	
Regulowany uchwyt dodatkowy	Zob. A
Montaż tarczy szlifującej/tnącej	Zob. B1, B2, B3
Regulacja osłony UWAGA: Przed rozpoczęciem jakichkolwiek prac w urządzeniu należy odłączyć przewód od gniazdka zasilającego. W przypadku prac z wykorzystaniem tarcz szlifierskich lub tnących, należy zamontować osłonę zabezpieczającą. Zabezpieczenie na osłonie (10) gwarantuje mocowanie jedynie takiej osłony, która odpowiada typowi narzędzia. Otworzyć dźwignię zacisku (9). Umieścić osłonę (10) z zabezpieczeniem w żłobieniu na wrzecionie głowicy narzędzia i obrócić do wymaganej pozycji (pozycji roboczej). W celu zablokowania osłony tarczy (10) w miejscu należy zamknąć dźwignię dociskową (9). Zamknięta strona osłony tarczy (10) musi być zawsze skierowana w stronę operatora.	Zob. C
KORZYSTANIE Z NARZĘDZIA	
Podłączanie zasilania	Zob. D
Używanie włącznika/wyłącznika	Zob. E
Obszary chwytu rękami	Zob. F
Szlifowanie zgrubne UWAGA! Nigdy nie należy używać tarczy tnącej do szlifowania zgrubnego.	
Cięcie	Zob. G

SYMBOLE

	Aby zmniejszyć niebezpieczeństwo odniesienia obrażeń, użytkownik powinien przeczytać podręcznik z instrukcjami.
	Podwójna izolacja
	Ostrzeżenie
	Używać ochrony słuchu
	Używać ochrony wzroku
	Używać maski przeciwpyłowej
	Stosować rękawice ochronne.
	Przed zmianą akcesoriów upewnij się, że narzędzie jest odłączone.
	Odpady wyrobów elektrycznych nie powinny być wyrzucane razem z odpadami gospodarstwa domowego. Należy korzystać z recyklingu, jeśli istnieje odpowiednia infrastruktura. Porady dotyczące recyklingu można uzyskać u władz lokalnych lub sprzedawcy detalicznego

PORADY DOTYCZĄCE SZLIFIERKI KĄTOWEJ

1. Zawsze należy zaczynać bez obciążenia w celu uzyskania maksymalnej prędkości, a następnie rozpoczynać pracę.
2. Nie zmuszać tarczy do szybszej pracy, zmniejszanie prędkości poruszania się tarczy oznacza dłuższy czas pracy.
3. Zawsze należy pracować pod kątem 15-30 pomiędzy tarczą a obrabianym przedmiotem. Podczas szlifowania, większe kąty będą powodować wrznięcie się krawędzi do obrabianego przedmiotu, co wpłynie na wykończenie powierzchni. Przesuwać szlifierkę kątową w poprzek oraz w przód i w tył po powierzchni obrabianego przedmiotu.
4. Podczas używania tarczy tnącej nigdy nie należy zmieniać kąta cięcia, gdyż spowoduje to zatrzymanie silnika szlifierki lub uszkodzenie tarczy. W przypadku wykonywania cięcia zgodnie z obrotami tarczy, tarcza może sama wyskoczyć z rowka.
5. Podczas cięcia bardzo twardego materiału najlepsze rezultaty można osiągnąć stosując tarczę diamentową.
6. Tarcza diamentowa rozgrzewa się znacznie podczas użycia. Gdy to się stanie, pojawi się pełny pierścień iskier wokół wirującej tarczy. Zatrzymać cięcie i pozwolić na 2-3 minutową pracę bez obciążenia w celu obniżenia temperatury.
7. Zawsze należy się upewnić, czy obrabiany przedmiot jest odpowiednio zabezpieczony.

KONSERWACJA

Przed dokonaniem jakichkolwiek regulacji, obsługi technicznej lub konserwacji należy wyjąć wtyczkę z gniazdka.

W narzędziu nie ma żadnych części, które wymagałyby serwisowania przez użytkownika. Nigdy nie należy używać wody czy środków czyszczących do czyszczenia narzędzia z napędem elektrycznym. Czyścić suchą szmatką. Zawsze należy przechowywać narzędzie w suchym miejscu.

Utrzymywać w czystości otwory wentylacyjne silnika. Utrzymywać wszystkie urządzenia sterujące w czystości. W otworach wentylacyjnych mogą pojawiać się iskry, jest to normalne i nie spowoduje uszkodzenia narzędzia.

Jeśli uszkodzony zostanie przewód zasilający, aby uniknąć niebezpieczeństwa powinien zostać wymieniony przez producenta, przedstawiciela serwisu lub inną wykwalifikowaną osobę.

ROZWIĄZYWANIE PROBLEMÓW

Mimo, iż ta szlifierka kąтова jest niezwykle prosta w obsłudze, w przypadku wystąpienia problemów należy sprawdzić:

1. Jeśli szlifierka nie działa, sprawdzić wtyczkę zasilania.
2. W przypadku chybotańcia lub wibrowania tarczy sprawdzić, czy kołnier z zewnętrzny jest dokręcony oraz czy tarcza jest prawidłowo osadzona na płytce kołnierza.
3. W przypadku jakichkolwiek oznak uszkodzenia tarczy nie używać urządzenia, ponieważ uszkodzona tarcza może się rozpaść; należy ją usunąć i wymienić na nową. Rozsądnie utylizować zużyte tarcze.
4. W przypadku pracy z aluminium lub podobnym miękkim stopem, tarcza szybko się zablokuje i będzie szlifować nieskutecznie.

OCHRONA ŚRODOWISKA



Odpady wyrobów elektrycznych nie powinny być wyrzucane razem z odpadami gospodarstwa domowego. Należy korzystać z recyklingu, jeśli istnieje odpowiednia infrastruktura. Porady dotyczące recyklingu można uzyskać u władz lokalnych lub sprzedawcy detalicznego.

DEKLARACJA ZGODNOŚCI

My,
POSITEC Germany GmbH
Konrad-Adenauer-Ufer 37
50668 Köln

Deklarujemy, że produkt,
Opis **Szlifierka kąтова WORX**
Typ **WX710 WX711 WX712 (700-749 – oznaczenie urządzenia, reprezentuje Szlifierka kąтова)**
Funkcja **Szlifowanie boczne i obwodowe**

Jest zgodny z następującymi dyrektywami,
2006/42/EC, 2004/108/EC, 2011/65/EU

Normy są zgodne z:

EN 55014-1	EN 55014-2
EN 61000-3-2	EN 61000-3-3
EN 60745-1	EN 60745-2-3

Osoba upoważniona do kompilacji pliku technicznego,
Nazwa Russell Nicholson
Adres Positec Power Tools (Europe)Ltd, PO Box 152, Leeds, LS10 9DS, UK

Suzhou 2015/06/30

Allen Ding

Zastępca głównego inżyniera, testowanie i certyfikacja



1. TENGELYRÖGZÍTŐ GOMB
2. KI-/BEKAPCSOLÓ GOMB
3. REZGÉSGÁTLÓ PÓTKAR
4. VILLÁSKULCS
5. BELSŐ KARIMA
6. KÜLSŐ KARIMA
7. ANYA A SZORÍTÓ BEÁLLÍTÁSÁHOZ
8. TENGELY
9. VÉDŐLAPRÖGZÍTŐ KAR
10. KORONGVÉDŐLAP CSISZOLÁSHOZ
11. PORCKORONG*
12. KORONGVÉDŐLAP DARABOLÁSHOZ*


* Nem minden készülék tartalmazza valamennyi, a fentiekben felsorolt alkatrészt.

MŰSZAKI ADATOK

Típus **WX710 WX711 WX712 (700-749 - a szerszám jelölése, sarokcsiszolót jelöl)**

50	WX710	WX711	WX712
Feszültség	220-240V~50/60Hz		
Bemenő teljesítmény	860W	750W	860W
Terhelés nélküli sebesség	12,000/min		
Korongméret	100mm	115mm	125mm
Korongfurat	16mm	22.2mm	22.2mm
Tengelymenet	M10	M14	M14
Védelmi osztály	□ // II		
A készülék súlya	2.0 kg		

ZAJÉRTÉKEK

	WX710	WX711 WX712
A-súlyozású hangnyomásszint	L_{pA} : 92.7dB(A)	L_{pA} : 89.7dB(A)
A-súlyozású hangerő	L_{WA} : 103.7dB(A)	L_{WA} : 100.7dB(A)
K_{pA} & K_{WA}	3.0dB(A)	
Viseljen fülvédelmet, ha a hangnyomásszint meghaladja a következő értéket	80dB(A) 	

REZGÉSÉRTÉKEK

		WX710	WX711 WX712
Az EN60745 szabvány szerint meghatározott összes rezgés (háromtengelyű vektoriális összeg) a következő:			
Tipikus súlyozott rezgés	Rezgés kibocsátás (a fő kar számára)	$a_h = 4,071 \text{ m/s}^2$	$a_h = 5,124 \text{ m/s}^2$
	Rezgés kibocsátás (a pótkar számára)	$a_h = 4,557 \text{ m/s}^2$	$a_h = 9,136 \text{ m/s}^2$
	Bizonytalanság $K = 1.5 \text{ m/s}^2$		

A hivatalos összesített rezgésszint a szerszámok összehasonlítására, illetve a kitétség előzetes felmérésére használható.

FIGYELEM: Az elektromos kéziszerszám használata során a rezgés kibocsátás eltérhet a fenti értéktől attól függően, hogy a szerszámot hogyan használják. Az érték függhet az alábbiaktól:
Hogyan használják a szerszámot, milyen anyagokat vágnak vagy fúrnak.
Az eszköz jó állapotban van-e, megfelelően karbantartják-e.
Megfelelő tartozékokat használnak-e az eszközhöz, vigyáznak-e, hogy hegyes legyen és jó állapotban maradjon.
A markolat megfelelően rögzül-e, használnak-e rezgéscsillapító tartozékokat.
A szerszámot rendeltetészerűen, kialakításának és a jelen utasításoknak megfelelően használják-e.

Ha a szerszámot nem kezelik megfelelően, kéz-kar vibrációs szindrómát okozhat.

FIGYELEM: A pontosság érdekében az expozíciós szint becslült értékéhez a valós használati körülmények között figyelembe kell venni a működési ciklus valamennyi elemét, így azt az időt is, amikor a szerszám ki van kapcsolva, és amikor üresjáratban működik. Ez a teljes munkaidőszak viszonylatában jelentősen csökkentheti az expozíciós szintet.

A rezgéskockázatnak való kitétséget az alábbiakkal csökkentheti:

MINDIG éles vésőt, pengét, és hegyes fűrőfejet használjon.

Az eszközt jelen utasításoknak megfelelően tartsa karban, és vigyázzon a megfelelő kenésre (ahol erre szükség van).

Ha rendszeresen használja az eszközt, vásároljon rezgéscsillapító tartozékokat.

Kerülje az eszköz használatát 10°C vagy alacsonyabb hőmérsékleten.

Úgy tervezze meg a munkáját, hogy a magas rezgésszámú eszközök használatát igénylő feladatokat több napra ossza el.

TARTOZÉKOK

	WX710	WX711	WX712
Villáskulcs		1	
Fém csiszolókorong		1	
Pótfogantyú	1	1	/
Rezgésgátló pótkar	/	/	1

Javasoljuk, hogy a tartozékokat ugyanabból a boltból vásárolja meg, ahol a szerszámot is vásárolta. Jó minőségű, márkás tartozékokat használjon. A tartozék típusát az elvégzendő munkának megfelelően válassza meg. További részleteket a tartozék csomagolásán talál. Kérjen segítséget és tanácsot a bolti eladóktól.

BIZTONSÁGI UTASÍTÁSOK VALAMENNYI MŰVELETHEZ

CSISZOLÁSRA VAGY CSISZOLÓ-DARABOLÓ MŰVELETEKRE VONATKOZÓ BIZTONSÁGI UTASÍTÁSOK:

- a) Ez az elektromos szerszám sarokcsiszolóként vagy darabolószerszámként használható. Ügyeljen minden figyelmeztető jelzésre, előírásra, ábrára és adatra, amelyet az elektromos kéziszerszámmal együtt megkapott. Ha nem tartja be a következő előírásokat, akkor ez áramütéshez, tűzhöz és/vagy súlyos személyi sérülésekhez vezethet.
- b) Ezt az elektromos kéziszerszámot nem javasoljuk finomcsiszoláshoz, drótkéfézéshez és fényezéshez. Az elektromos kéziszerszám számára elő nem irányzott használat veszélyeztetésekhöz és személyi sérülésekhez vezethet.
- c) Ne használjon olyan tartozékokat, amelyeket a gyártó ehhez az elektromos kéziszerszámmal nem irányzott elő és nem javasolt. Az a tény, hogy a tartozékokat rögzíteni tudja az elektromos kéziszerszámmal, nem garantálja annak biztonságos alkalmazását.
- d) A betétszerszám megengedett fordulatszámának legalább akkorának kell lennie, mint az elektromos kéziszerszámon megadott legnagyobb fordulatszám. A megengedettnél gyorsabban forgó tartozékok szétfórhatnak és kirepülhetnek.
- e) A betétszerszám külső átmérőjének és vastagságának meg kell felelnie az Ön elektromos kéziszerszáman megadott méreteknél. A hibásan méretezett betétszerszámokat nem lehet megfelelően eltakarni, vagy irányítani.
- f) A menetes betéttel ellátott betétszerszám menetének meg kell felelnie az orsó menetének. A karima segítségével befogásra kerülő betétszerszámok esetén a betétszerszám furatátmérőjének pontosan meg kell felelnie a karima befogási átmérőjének. Az olyan betétszerszámok, amelyek nem kerülnek pontosan rögzítésre az elektromos kéziszerszámmal, egyenletlenül forognak, erősen berezegnek és a készülék feletti uralom megszűnéséhez vezethetnek.
- g) Ne használjon megrongálódott betétszerszámokat. Vizsgálja meg minden egyes használat előtt a betétszerszámokat: ellenőrizze, nem pattogzott-e le és nem repedt-e meg a csiszolókorong, nincs-e eltörve, megrepedve, vagy nagy mértékben elhasználódva a csiszoló tányér. Ha az elektromos kéziszerszám vagy a betétszerszám leesik, vizsgálja felül, nem rongálódott-e meg, vagy használjon egy hibátlan betétszerszámot. Miután ellenőrizte, majd behelyezte a készülékbe a betétszerszámot, tartózkodjon Ön saját maga és minden más a közelben

található személy is a forgó betétszerszám síkján kívül és járassa egy percig az elektromos kéziszerszámot a legnagyobb fordulatszámmal. A megrongálódott betétszerszámok ezalatt a próbaidő alatt általában már szétfórnak.

- h) **Viseljen személyi védőfelszerelést.** Használjon az alkalmazásnak megfelelő teljes védőálcot, szemvédőt vagy védőszemüveget. Amennyiben célszerű, viseljen porvédő álcot, zajtompító fülvédőt, védő kesztyűt vagy különleges kötényt, amely távol tartja a csiszolószerszám- és anyagrészcsekket. Mindenképpen védje meg a szemét a kirepülő idegen anyagoktól, amelyek a különböző alkalmazások során keletkeznek. A por- vagy védőálcnak meg kell szűrnie a használat során keletkező port. Ha hosszú ideig ki van téve az erős zaj hatásának, elvesztheti a hallását.
- i) **Ügyeljen arra, hogy a többi személy biztonságos távolságban maradjon az Ön munkaterületétől. Minden olyan személynek, aki belép a munkaterületre, személyi védőfelszerelést kell viselnie.** A munkadarab letört részei vagy a szétfört betétszerszámok kirepülhetnek és a közvetlen munkaterületen kívül és személyi sérülést okozhatnak.
- j) **Az elektromos kéziszerszámot csak a szigetelt fogantyúfelületeknél fogva tartsa, ha olyan munkát végez, amelynek során a betétszerszám feszültség alatt áll, kívülről nem látható vezetékhez, vagy a készülék saját hálózati csatlakozó kábeljéhez érhet.** Ha a berendezés egy feszültség alatt álló vezetékhez ér, a berendezés fémrészei szintén feszültség alá kerülhetnek és áramütéshez vezethetnek.
- k) **Tartsa távol a hálózati csatlakozó kábelt a forgó betétszerszámoktól.** Ha elveszíti az uralmát az elektromos kéziszerszám felett, az átvághatja, vagy bekaphatja a hálózati csatlakozó kábelt és az Ön keze vagy karja is a forgó betétszerszámhoz érhet.
- l) **Sohase tegye le az elektromos kéziszerszámot, mielőtt a betétszerszám teljesen leállna.** A forgásban lévő betétszerszám megérintheti a támasztó felületet, és Ön ennek következtében könnyen elvesztheti az uralmát az elektromos kéziszerszám felett.
- m) **Ne járassa az elektromos kéziszerszámot, miközben azt a kezében tartja.** A forgó betétszerszám egy véletlen érintkezés során bekaphatja a ruháját és a betétszerszám befúródhat a testébe.
- n) **Tisztítsa meg rendszeresen az elektromos kéziszerszáma szellőzőnyílásait.** A motor ventilátóra beszívja a port a házba, és nagyobb mennyiségű fémpor felhalmozódása elektromos veszélyekhez vezethet.
- o) **Ne használja az elektromos kéziszerszámot éghető anyagok közelében.** A szikrák ezeket az anyagokat meggyújtják.

- p) **Ne használjon olyan betétszerszámokat, amelyek alkalmazásához folyékony hűtőanyag van szükség.** Víz és egyéb folyékony hűtőanyagok alkalmazása áramütéshez vezethet.
- q) Működés közben kezét a nyélen kell tartania. Mindíg használja a szerszámhoz mellékelt pótkarokat. A kontrollvesztés személyi sérülést eredményezhet.

TOVÁBBI BIZTONSÁGI ELŐÍRÁSOK AZ ÖSSZES MŰVELETRE VONATKOZÓAN

Visszarúgás és megfelelő figyelmeztető tájékoztatók A visszarúgás a beékelődő vagy leblokkoló forgó betétszerszám, például csiszolókorong, csiszoló tányér, drótkéfe stb. Hirtelen reakciója. A beékelődés vagy leblokkolás a forgó betétszerszám hirtelen leállításához vezet. Ez az irányítatlan elektromos kéziszerszámot a betétszerszámnak a leblokkolási ponton fennálló forgási irányával szembeni irányban felgyorsítja. Ha például egy csiszolókorong beékelődik, vagy leblokkol a megmunkálásra kerülő munkadarabban, a csiszolókorongnak a munkadarabra bemező éle leáll és így a csiszolókorong kiugorhat vagy egy visszarúgást okozhat. A csiszolókorong ekkor a korongnak a leblokkolási pontban fennálló forgásirányától függően a kezelő személy felé, vagy attól távolodva mozog. A csiszolókorongok ilyenkor el is törhetnek. Egy visszarúgás az elektromos kéziszerszám hibás vagy helytelen használatának következménye. Ezt az alábbiakban leírásra kerülő megfelelő óvatossági intézkedésekkel meg lehet gátolni.

- a) **Tartsa szorosan fogva az elektromos kéziszerszámot, és hozza a testét és a karjait olyan helyzetbe, amelyben fel tudja venni a visszarúgó erőt. Használja mindig a pótfogantyút, amennyiben létezik, hogy a lehető legjobban tudjon uralakodni a visszarúgási erő, illetve felfutáskor a reakciós nyomaték felett.** A kezelő személy megfelelő óvatossági intézkedésekkel uralakodni tud a visszarúgási és reakcióerők felett.
- b) **Sohase vigye a kezét a forgó betétszerszám közelébe.** A betétszerszám egy visszarúgás esetén a kezéhez érhet.
- c) **Kerülje el a testével azt a tartományt, ahová egy visszarúgás az elektromos kéziszerszámot mozgatja.** A visszarúgás az elektromos kéziszerszámot a csiszolókorongnak a leblokkolási pontban fennálló forgásirányával ellentétes irányba hajtja.
- d) **A sarkok és élek közelében különösen óvatosan dolgozzon, akadályozza meg, hogy a betétszerszám lepattanjon a munkadarabról, vagy beékelődjön a munkadarabra.** A forgó betétszerszám a sarkoknál, éleknél és lepattanás esetén könnyen beékelődik. Ez a készülék feletti uralom elvesztéséhez, vagy egy visszarúgáshoz vezet.
- e) **Ne használjon fafűrészlapot, vagy fogazott fűrészlapot.** Az ilyen betétszerszámok gyakran visszarúgáshoz vezetnek, vagy a kezelő elvesztheti az uralmát az elektromos kéziszerszám felett.

KÜLÖN FIGYELMEZTETÉSEK ÉS TÁJÉKOZTATÓ A CSISZOLÁSHOZ ÉS DARABOLÁSHOZ

Csiszlásra vagy csiszoló-daraboló műveletekre vonatkozó konkrét biztonsági utasítások:

- a) **Kizárólag az Ön elektromos kéziszerszámához engedélyezett csiszolótesteket és az ezen csiszolótestekhez előírányzott védőbúrákat használja.** A nem az elektromos kéziszerszámhoz szolgáló csiszolótesteket nem lehet kielégítő módon letakarni és ezért ezek nem biztonságosak.
- b) **A peremes csiszolókorongokat úgy kell felszerelni, hogy a csiszolófelületük ne álljon ki a védőburkolat szélének a síkjából.** Egy szakszerűtlenül felszerelt csiszolókorongot, amely kiáll a védőburkolat szélének a síkjából, nem lehet kielégítő módon letakarni.
- c) **A védőbúrát biztonságosan kell felszerelni az elektromos kéziszerszámra és úgy kell beállítani, hogy az a lehető legnagyobb biztonságot nyújtssa, vagyis a csiszolótestnek csak a lehető legkisebb része mutasson a kezelő felé.** A hasítókorongok arra vannak méretezve, hogy az anyagot a korong élével munkálják le. Az ilyen csiszolótestekre ható oldalirányú erő a csiszolótest töréséhez vezethet.
- d) **A csiszolótesteket csak az azok számára javasolt célokra szabad használni. Például: Sohase csiszoljon egy hasítókorong oldalsó felületével.** A hasítókorongok arra vannak méretezve, hogy az anyagot a korong élével munkálják le. Az ilyen csiszolótestekre ható oldalirányú erő a csiszolótest töréséhez vezethet.
- e) **Használjon mindig hibátlan, az Ön által választott csiszolókorongnak megfelelő méretű és alakú befogókarimát. A megfelelő karimák megtámasztják a csiszolókorongot és így csökkentik a csiszolókorong eltörésének veszélyét.** A hasítókorongokhoz szolgáló karimák különbözhetnek a csiszolókorongok számára szolgáló karimáktól.
- f) **Ne használjon nagyobb elektromos kéziszerszámokhoz szolgáló elhasználdott csiszolótesteket.** A nagyobb elektromos kéziszerszámokhoz szolgáló csiszolókorongok nincsenek a kisebb elektromos kéziszerszámok magasabb fordulatszámára méretezve és széttrörhetnek.

TOVÁBBI BIZTONSÁGI UTASÍTÁSOK DARABOLÓ MŰVELETEKHEZ

További különleges figyelmeztető tájékoztató a daraboláshoz:

- a) **Kerülje el a hasítókorong leblokkolását, és ne gyakoroljon túl erős nyomást a készülékre. Ne végezzen túl mély vágást.** A túlterhelés megnöveli a csiszolótest igénybevételeit és beékelődési vagy leblokkolási hajlamát és visszarúgáshoz vagy a csiszolótest töréséhez vezethet.
- b) **Kerülje el a forgó hasítókorong előtti és mögötti tartományt.** Ha a hasítókorongot a munkadarabban magától eltávolodva mozgatja,

akkor az elektromos kéziszerszám a forgó koronggal visszarúgás esetén közvetlenül Ön felé pattan.

- c) Ha a hasítókorong beékelődik, vagy ha Ön megszakítja a munkát, kapcsolja ki az elektromos kéziszerszámot és tartsa azt nyugodtan, amíg a korong teljesen leáll.** Sohasse próbálja meg kihúzni a még forgo hasítókorongot a vágásból, mert ez visszarúgáshoz vezethet. Határozza meg és hárítsa el a beékelődés okát.
- d) Addig ne kapcsolja ismét be az elektromos kéziszerszámot, amíg az még benne van a munkadarabban. Várja meg, amíg a hasítókorong eléri a teljes fordulatszámát, mielőtt óvatosan folytatná a vágást.** A korong ellenkező esetben beékelődhet, kiugorhat a munkadarabból, vagy visszarúgáshoz vezethet.
- e) Támassza fel a lemezeket vagy nagyobb munkadarabokat, hogy csökkentse egy beékelődő hasítókorong következtében fellépő visszarúgás kockázatát. A nagyobb munkadarabok saját súlyuk alatt meghajolhatnak.** A munkadarabot mindkét oldalán, és mind a vágási vonal közelében, mind a szélénél alá kell támasztani.
- f) Ha egy meglévő falban, vagy más be nem látható területen hoz létre „táska alakú beszűrást”, járjon el különös óvatossággal.** Az anyagba behatoló hasítókorong gáz- vagy vízvezetékbe, elektromos vezetékbe vagy más tárgyakra ütközhet, amelyek visszarúgást okozhatnak.



A tartozékok cseréje előtt győződjön meg arról, hogy a szerszám villásdugója ki van húzva.



A leselejtezett elektromos készülékek nem dobtathók ki a háztartási hulladékkal. Ha van a közelben elektromos hulladék gyűjtő udvar, vigye oda a készüléket. Az újrahasznosítási lehetőségekről tájékozódjon a helyi hatóságoknál vagy a kereskedőnél.

HASZNÁLATI UTASÍTÁSOK



MEGJEGYZÉS: Mielőtt a szerszámot használná, olvassa el figyelmesen az utasításokat.

RENDELTETÉS:


Ez az elektromos kéziszerszám fém- és kőanyagok víz alkalmazása nélkül való darabolására, nyagoló csiszolására és kefélésére szolgál. Fémek darabolásához egy a darabolásra szolgáló speciális védőbúrát (külön tartozék) kell használni.

ÖSSZESZERELÉS ÉS MŰKÖDÉS

Művelet	Ábra
MŰKÖDTETÉS ELŐTT	
A PÓTKAR beszerelése	Lásd A. Ábra
A csiszoló-/vágólapok összeszerelése	Lásd B1, B2, B3. Ábra
A korongvédőlap beállítása MEGJEGYZÉS: Az elektromos kéziszerszámon végzendő bármely munka megkezdése előtt húzza ki a csatlakozó dugót a dugaszoló aljzatból. Ha csiszoló- vagy vágókorongokkal dolgozik, fel kell szerelnie a korongvédőlapot. A korongvédőlap (10) kódolása biztosítja, hogy csak a szerszám típusának megfelelő védőlapot lehessen beszerelni. Nyissa fel a rögzítőkart (9). Helyezze a korongvédőlapot (10) a kódolt kiálló résszel a kódolt vágatba a készülék fejrészén lévő orsón, és forgassa el a kívánt helyzetbe (munkahelyzetbe). A korongvédőlap (10) rögzítéséhez zárja le a rögzítőkart (9). A korongvédőlap (10) lezárt oldalának mindig a működtető felé kell néznie.	Lásd C. Ábra
MŰKÖDÉS	
Az áram csatlakoztatása	Lásd D. Ábra
A be-/kikapcsoló használata	Lásd E. Ábra

SZIMBÓLUMOK

	A sérülésveszély csökkentése érdekében a felhasználónak el kell olvasnia az utasításokat.
	Dupla szigetelés
	Figyelmeztetés
	Viseljen fülvédőt
	Viseljen szemvédőt
	Viseljen pormaszkot
	Viseljen védőszemüveget.

Markolati részek	Lásd F. Ábra
Durva csiszolás  VIGYÁZAT! Soha ne használjon vágólapot durva csiszoláshoz.	
Vágás	Lásd G. Ábra

JAVASLATOK A SAROKCSISZOLÓ HASZNÁLATÁHOZ

1. Mindig terhelés nélkül indítson, és mielőtt elkezdéné a munkát, várja meg, hogy a szerszám elérje a maximális sebességet.
2. Ne erőltesse a korongot, hogy gyorsabban haladjon, ha csökken a korong sebessége, hosszabb ideig tart a művelet.
3. A korong és a munkadarab között mindig 15-30 fok közötti szöveget tartson. Nagyobb szög esetén a munkadarabra meneteket vág, és nem lesz egyenes a felület. Mozgassa a sarokcsiszolót keresztirányban, illetve előre-hátra a munkadarabon.
4. Ha vágókorongot használ, soha ne módosítsa a vágás szögét, különben a korong és a sarokcsiszoló elakad, vagy a korong eltörhet. Vágás közben csak a korong forgásirányával ellentétes irányba haladjon. Ha a korong forgásirányával megegyező irányba halad, a korong kilökődhet a vágatból.
5. Rendkívül kemény anyagok vágásakor a legjobb eredményt gyémántkoronggal érheti el.
6. A gyémántkorong használat közben nagyon felforrósodik. Ilyenkor a forgó korong körül teljes szikragyűrű alakul ki. Hagyja abba a vágást, és terhelés nélküli sebességen hagyja 2-3 percig hűlni a szerszámot.
7. Az elmozdulás megelőzése érdekében mindig ellenőrizze, hogy a munkadarab szilárdan rögzítve legyen.

A SZERSZÁMOK KARBANTARTÁSA

Bármilyen állítás, javítás vagy karbantartási művelet előtt húzza ki a kábelt a konnektorból.

Az elektromos kéziszerszám nem tartalmaz a felhasználó által javítható alkatrészeket. Soha ne használjon vizet vagy vegyi tisztítószeret a szerszám tisztításához. Törölje tisztára egy száraz ronggyal. A szerszámot mindig száraz helyen tárolja. Tartsa tisztán a motor szellőzőnyílásait. Minden szabályozóeszközt tartson pormentesen. A szellőzőnyílásokon keresztül néha szikrák láthatók. Ez természetes, nem okoz kárt az elektromos kéziszerszámban.


Amennyiben az áramellátó kábel sérült, a gyártónak, a megbízott szerviznek vagy egy hasonlóan képesített szakembernek ki kell cserélnie azt a kockázatok elkerülése érdekében.

HIBAEMLÉKÍTÉS

Bár új sarokcsiszolója nagyon egyszerűen használható, ha gondolja adódnak, ellenőrizze az alábbiakat:

1. Ha a sarokcsiszoló nem működik, ellenőrizze a dugót.
2. Ha a sarokcsiszoló kileng vagy rezeg, ellenőrizze, hogy a külső karima szorosan rögzül-e, és a korong megfelelően helyezkedik-e el a karimalapon.
3. Ha úgy látja, hogy a korong megsérült, ne használja tovább, mivel a sérült korong széteshet. Vegye ki a korongot, és helyezzen be újat. A régi korongot óvatosan dobja el.
4. Ha alumíniumon vagy más hasonló, puha ötvözetben dolgozik, a korong hamarosan eltömődik, és nem dolgozik hatékonyan.

KÖRNYEZETVÉDELLEM

 A leselejtezett elektromos készülékek nem dobhatók ki a háztartási hulladékkal. Ha van a közelben elektromos hulladék gyűjtő udvar, vigye oda a készüléket. Az újrahaznosítási lehetőségekről tájékozódjon a helyi hatóságoknál vagy a kereskedőnél.

MEGFELELŐSÉGI NYILATKOZAT

A gyártó,
POSITEC Germany GmbH
Konrad-Adenauer-Ufer 37
50668 Köln

Kijelenti, hogy a termék:
Leírás **WORX sarokcsiszoló**
Típus **WX710 WX711 WX712 (700-749 a szerszám jelölése, sarokcsiszolót jelöl)**
Rendeltetés **Kerületi és oldalirányú csiszolás**

Megfelel a következő irányelveknek:
2006/42/EC, 2004/108/EC, 2011/65/EU

Az alábbi normáknak
EN 55014-1 **EN 55014-2**
EN 61000-3-2 **EN 61000-3-3**
EN 60745-1 **EN 60745-2-3**

A műszaki dokumentáció összeállítására jogosult személy:

Név Russell Nicholson
Cím Positec Power Tools (Europe)Ltd, PO Box 152, Leeds, LS10 9DS, UK



Suzhou 2015/06/30
Allen Ding
Helyettes főmérnöke, Tesztelés és minősítés



1. BUTON DE BLOCARE A ARBORELUI
2. COMUTATOR DE PORNIRE/OPRIRE
3. MÂNER AUXILIAR ANTI-VIBRAȚII
4. CHEIE
5. FLANȘĂ INTERIOARĂ
6. FLANȘĂ EXTERIOARĂ
7. PIULIȚĂ DE REGLARE A STRÂNGERII
8. ARBORE
9. PÂRGHIE DE STRÂNGERE A APĂRĂTORII
10. APĂRĂTOARE DE DISC PENTRU POLIZARE
11. DISC*
12. APĂRĂTOARE DE DISC PENTRU RETEZARE*


* Nu toate accesoriile ilustrate sau descrise sunt incluse în livrarea standard.

DATE TEHNICE

Tip **WX710 WX711 WX712** (700-749 - denumirea mașinii, reprezentând polizorul unghiular)

56	WX710	WX711	WX712
Tensiune	220-240V~50/60Hz		
Putere	860W	750W	860W
Turație nominală	12,000/min		
Dimensiune disc	100mm	115mm	125mm
Alezaj disc	16mm	22.2mm	22.2mm
Filet arbore	M10	M14	M14
Clasă de protecție	□ / II		
Greutate unealtă	2.0 kg		

INFORMAȚII PRIVIND ZGOMOTUL

	WX710	WX711 WX712
Presiune sonoră ponderată	L_{pA} : 92.7dB(A)	L_{pA} : 89.7dB(A)
Putere sonoră ponderată	L_{wA} : 103.7dB(A)	L_{wA} : 100.7dB(A)
K_{pA} & K_{wA}	3.0dB(A)	
Purtați protecție pentru urechi când presiunea acustică este peste	80dB(A) 	

INFORMAȚII PRIVIND VIBRAȚIILE

	WX710	WX711	WX712
Valori totale vibrații (sumă vectorială triaxială) determinată conform EN 60745:			
Vibrație ponderată în condiții normale	Valoare emisii de vibrații (pentru mâner principal)	$a_h = 4,071\text{m/s}^2$	$a_h = 5,124\text{m/s}^2$
	Valoare emisii de vibrații (pentru mâner auxiliar)	$a_h = 4,557\text{m/s}^2$	$a_h = 9,136\text{m/s}^2$
	Marjă de eroare $K = 1.5\text{m/s}^2$		

Valoarea totală declarată a vibrațiilor poate fi utilizată pentru compararea unei unelte cu o alta și, de asemenea, poate fi utilizată în cazul unei evaluări preliminare a expunerii.

AVERTISMENT: Valoarea emisiilor de vibrații în timpul utilizării efective a unelei electrice poate diferi de valoarea nivelului declarat, în funcție de modul în care unealta este utilizată, în funcție de următoarele exemple și alte variații privind utilizarea unelei:

Modul în care este utilizată unealta și materialele tăiate.

Unealta să fie într-o stare bună și întreținută corespunzător

Utilizarea accesoriului corect pentru unealtă, fiind ascuțit și în bună stare de funcționare.

Strângerea cu fermitate a mânerelor și utilizarea oricăror accesorii anti-vibrații.

Iar unealta este utilizată conform destinației de utilizare și acestor instrucțiuni.

Această unealtă poate cauza sindromul vibrației mâinii-brațului dacă nu este utilizată corespunzător

AVERTISMENT: Pentru precizie, o estimare a nivelului de expunere în condițiile de utilizare reale trebuie de asemenea să țină cont de toate componentele ciclului de operare, precum momentele când unealta este oprită și când merge în gol, dar nu efectuează operația propriu-zisă. Acest lucru ar putea reduce semnificativ nivelul de expunere pe durata totală de lucru.

Ajută la reducerea riscului de expunere la vibrații.

Întrețineți unealta în conformitate cu aceste instrucțiuni și mențineți-o bine lubrifiată (dacă este cazul)

Dacă unealta va fi utilizată în mod regulat, investiți în accesorii anti-vibrații.

Evitați utilizarea uneltelor la temperaturi de 10°C sau mai puțin.

Planificați-vă lucrul pentru a desfășura utilizarea uneltelor cu nivel ridicat de vibrații de-a lungul mai multor zile.

ACCESORII

	WX710	WX711	WX712
Cheie		1	
Disc de polizat din metal		1	
Mâner suplimentar	1	1	/
Mâner auxiliar anti-vibrații	/	/	1

Vă recomandăm să achiziționați accesorii de la același magazin de la care ați cumpărat unealta.

Utilizați accesorii de bună calitate, de la un producător cunoscut. Alegeți tipul în funcție de lucrarea pe care urmează să o efectuați. Consultați ambalajul accesoriului pentru detalii suplimentare. Personalul din magazin vă poate oferi asistență și sfaturi.

INSTRUCȚIUNI PRIVIND SIGURANȚA PENTRU TOATE OPERAȚIILE

AVERTISMENTE PRIVIND SIGURANȚA COMUNE PENTRU OPERAȚIILE DE POLIZARE SAU RETEZARE CU DISC ABRAZIV:

- a) **Această unealtă electrică este concepută să funcționeze ca polizor sau unealtă pentru retezat. Citiți toate avertismentele privind siguranța, instrucțiunile, ilustrațiile și specificațiile furnizate cu această mașină electrică.** Dacă nu respectați toate instrucțiunile de mai jos, există riscul electrocutării, incendiului și/sau al accidentării grave.
- b) **Nu este recomandată executarea operațiilor cum ar fi polizarea, șlefuirea, curățarea cu peria de sârmă cu această mașină electrică.** Operațiile pentru care această mașină electrică nu a fost concepută pot fi periculoase și pot provoca vătămări corporale.
- c) **Nu utilizați accesorii care nu sunt concepuți special și recomandate de către producătorul mașinii.** Chiar dacă accesoriul poate fi atașat unelei electrice, operarea în siguranță nu este garantată.
- d) **Turația nominală a accesoriului trebuie să fie cel puțin egală cu turația maximă marcată pe mașina electrică.** Accesoriile utilizate la o turație superioară celei nominale se pot sparge și împrăștia.
- e) **Diametrul exterior și grosimea accesoriului trebuie să se încadreze în capacitatea nominală a unelei electrice.** Accesoriile de dimensiuni incorecte nu pot fi protejate sau controlate în mod corespunzător.
- f) **Accesoriile prevăzute cu inserție filetată trebuie să se potrivească exact pe filetul arborelui de polizat. La accesoriile montate prin flanșe, diametrul găurii accesoriului trebuie să se potrivească cu diametrul de prindere al flanșei.** Accesoriile care nu sunt fixate exact la scula electrică, se rotesc neuniform, vibrează foarte puternic și pot duce la pierderea controlului.
- g) **Nu utilizați un accesoriu deteriorat. Înainte de fiecare utilizare, inspecțiți accesoriul, precum discurile abrazive, în privința fisurilor și crăpăturilor, talerele suport în privința crăpăturilor, rupturilor sau uzurii excesive. Dacă scăpați pe jos mașina sau accesoriul, inspecțiți-le cu privire la deteriorări sau instalați un accesoriu intact.** După inspectarea și instalarea unui accesoriu, îndepărtați-l împreună cu persoanele din apropiere la depărtare de planul accesoriului rotativ și porniți mașina la turația maximă în gol timp de un minut. Accesoriile deteriorate se vor sparge în mod normal pe durata acestui test.

- h) **Purtați echipament personal de protecție. În funcție de aplicație, folosiți o mască de protecție, ochelari de protecție sau viziere de protecție. Dacă este cazul, purtați o mască de protecție contra prafului, dispozitive de protecție a auzului, mănuși și un șorț de lucru capabil să oprească fragmentele mici abrazive sau fragmentele din piesa de prelucrat. Echipamentul de protecție pentru ochi trebuie să aibă capacitatea de a opri resturile proiectate în aer generate la diverse operații.** Masca de protecție contra prafului sau masca respiratoare trebuie să aibă capacitatea de a filtra particulele generate în timpul operației respective. Expunerea prelungită la zgomot foarte puternic poate provoca pierderea auzului.
- i) **Țineți persoanele din jur la o distanță sigură față de zona de lucru. Orice persoană care pătrunde în zona de lucru trebuie să poarte echipament personal de protecție.** Fragmentele din piesa de prelucrat sau ale unui accesoriu spart pot fi proiectate în jur cauzând vătămări corporale în zona imediat adiacentă zonei de lucru.
- j) **Țineți unealta electrică doar de suprafețele de prindere izolate atunci când efectuați o operațiune în care accesoriul de tăiere poate intra în contact cu fire ascunse sau cu propriul cablu.** Contactul cu un cablu aflat sub tensiune poate pune sub tensiune și componentele metalice ale sculei electrice și duce la electrocutare.
- k) **Poziționați cablul la distanță de accesoriul aflat în rotație.** Dacă pierdeți controlul, cablul poate fi tăiat sau agățat și mâna sau brațul dumneavoastră pot fi trase în discul aflat în rotație.
- l) **Nu așezați niciodată jos mașina electrică înainte de oprirea completă a discului.** Accesoriul aflat în rotație ar putea apuca suprafața și trage de mașina electrică fără a o putea controla.
- m) **Nu lăsați mașina electrică în funcțiune în timp ce o transportați lângă corpul dumneavoastră.** Contactul accidental cu accesoriul aflat în rotație vă poate agăța îmbrăcămintea, trăgând accesoriul spre corpul dumneavoastră.
- n) **Curățați în mod regulat gurile de ventilație ale mașinii electrice.** Ventilatorul motorului va atrage praf în interiorul carcasei, iar acumularea de pudră de metal în exces poate cauza pericole electrice.
- o) **Nu operați mașina electrică în apropiere unor materiale inflamabile.** Scânteile pot aprinde aceste materiale.
- p) **Nu utilizați accesorii care necesită agenți de răcire lichizi.** Utilizarea apei sau a altor agenți de răcire lichizi poate cauza electrocutarea sau șocuri electrice.
- q) **Țineți de mânerul unelei când lucrați.** Utilizați întotdeauna mânerele auxiliare furnizate cu unealta. Pierderea controlului poate duce la răni.

INSTRUCȚIUNI SUPLIMENTARE PRIVIND SIGURANȚA PENTRU TOATE OPERAȚIILE

Recul și alte avertismente similare

Reculul este o reacție bruscă la înțepenirea sau agățarea unui disc, unui taler suport, unei perii sau unui alt accesoriu aflat în rotație. Agățarea sau prinderea cauzează blocarea rapidă a accesoriului rotativ, iar acesta, la rândul său, va duce la pierderea controlului unelei electrice și forțarea acesteia în direcția opusă rotației accesoriului.

De exemplu, dacă un disc abraziv este prins sau agățat în piesa de lucru, marginea discului care intră în punctul de prindere poate săpa în suprafața materialului, cauzând ieșirea discului sau reculul acestuia. Discul poate sări spre utilizator sau în direcție opusă acestuia, în funcție de direcția de mișcare a discului în punctul de blocare. În astfel de condiții, discurile abrazive se pot de asemenea sparge. Reculul este rezultatul utilizării incorecte a scali electrice și/sau al procedeeelor sau condițiilor de lucru necorespunzătoare, putând fi evitat prin adoptarea unor măsuri de precauție adecvate prezentate în continuare.

a) Mențineți o priză fermă pe mașina electrică și poziționați-vă corpul și brațele astfel încât să contracarați forțele de recul. Folosiți întotdeauna mânerul auxiliar, dacă există, pentru a contracara în mod optim reculurile sau momentul de torsiune reactiv din faza de pornire. Utilizatorul poate contracara momentele de torsiune reactive sau forțele de recul, dacă își ia măsuri de precauție adecvate.

b) Nu așezați niciodată mâna în apropierea accesoriului rotativ. Reculul poate împinge accesoriul peste mâna dumneavoastră.

c) Nu vă poziționați corpul în zona în care se va deplasa mașina electrică, în cazul reculului. Reculul va proiecta unealta în direcție opusă rotației discului în punctul de agățare.

d) Procedați cu deosebită atenție atunci când prelucrați colțuri, muchii ascuțite etc. Evitați izbiturile și salturile accesoriului. Colțurile, muchiile ascuțite sau salturile au tendința de a agăța accesoriul aflat în rotație și conduc la pierderea controlului sau apariția reculurilor.

e) Nu atașați o pânză de ferăstrău cu lanț pentru scobirea lemnului sau o pânză de ferăstrău dințată. Astfel de pânze pot crea reculuri frecvente și pierderea controlului.

INSTRUCȚIUNI SUPLIMENTARE PRIVIND SIGURANȚA PENTRU OPERAȚII DE POLIZARE ȘI RETEZARE

Avertismente privind siguranța specifice pentru operațiile de polizare și retezare cu disc abraziv:

a) Utilizați doar discuri recomandate pentru mașina dumneavoastră electrică și apărătoarea specifică proiectată pentru discul selectat. Discurile pentru care nu a fost concepută mașina electrică nu pot fi protejate corespunzător și nu sunt sigure.

b) Discurile de slefuire cu degajare trebuie astfel montate încât suprafața lor de

slefuire să nu depășească planul marginii apărătoarei de protecție. Un disc de slefuire montat necorespunzător, care depășește planul apărătoarei de protecție, nu poate fi acoperit suficient.

c) Apărătoarea trebuie atașată ferm la scula electrică și poziționată pentru siguranță maximă, astfel încât operatorul să fie expus la o porțiune cât mai mică a discului. Discurile de tăiere sunt destinate îndepărtării de material cu marginea discului. Exercitarea unei forțe laterale asupra acestui corp abraziv poate duce la ruperea sa.

d) Discurile trebuie utilizate numai pentru aplicațiile recomandate. De exemplu: nu polizați cu partea laterală a discului abraziv de retezat. Discurile abrazive de retezat sunt concepute pentru polizarea periferică, iar aplicarea unor forțe laterale asupra acestor discuri poate provoca spargerea lor.

e) Folosiți întotdeauna flanșe de disc intacte, cu diametru adecvat pentru discul folosit. Flanșele de disc adecvate fixează discul reducând astfel posibilitatea de rupere a acestuia. Flanșele pentru discuri abrazive de retezat pot fi diferite de flanșele pentru discuri de polizat.

f) Nu utilizați discuri uzate de la mașini electrice mai mari. Discurile destinate unor mașini electrice mai mari nu sunt adecvate pentru turația mai ridicată a mașinii mai mici și pot exploda.

INSTRUCȚIUNI SUPLIMENTARE PRIVIND SIGURANȚA PENTRU OPERAȚII DE RETEZARE

Avertismente suplimentare privind siguranța specifice pentru operațiile de retezare cu disc abraziv:

a) Nu „înțepeniți” discul pentru retezat și nici nu aplicați o presiune excesivă. Nu încercați să executați o adâncime excesivă a tăieturii. Supratensionarea discului mărește sarcina și susceptibilitatea de a torsiona sau a de a înțepeni discul în tăietură și posibilitatea de recul sau spargere a discului.

b) Nu vă poziționați corpul în linie sau în spatele discului aflat în rotație. Când discul se îndepărtează de corpul dumneavoastră în timpul operării, reculul posibil poate împinge discul rotativ și mașina electrică direct spre dumneavoastră.

c) Atunci când discul este înțepenit sau când este întreruptă o tăiere din orice motiv, opriți scula electrică și țineți-o nemișcată până când discul se oprește complet. Nu încercați niciodată să scoateți discul din tăietură în timp ce discul este în mișcare, altfel poate apărea reculul. Investigați și efectuați acțiunile corective pentru a elimina cauza înțepenirii discului.

d) Nu reporniți operația de retezare în piesa de prelucrat. Lăsați discul să ajungă la

viteza maximă și pătrundeți din nou cu atenție în tăietură. Discul poate înțepeni, se poate deplasa în sus sau provoca recul, dacă scula electrică este repornită în piesa de prelucrat.

e) Sprijiniți panourile sau orice piesă de prelucrat de dimensiuni mari pentru a minimiza riscul de ciupire și recul al discului. Piesele de prelucrat mari tind să se încovoieze sub propria greutate. Sub piesa de prelucrat trebuie amplasate suporturi pe ambele laturi, lângă linia de tăiere și lângă marginea piesei de prelucrat pe ambele părți ale discului.

f) Acordați o atenție sporită atunci când executați o „decupare prin plonjare” în pereții existenți sau în alte zone mascate. Discul poate tăia conducte de gaz sau de apă, cabluri electrice sau obiecte care pot provoca un recul.

INSTRUCȚIUNI DE UTILIZARE




NOTĂ: Înainte de a utiliza unealta, citiți cu atenție manualul de instrucțiuni.

DESTINAȚIA DE UTILIZARE:

Mașina este destinată tăierii, șlefuirii și perierii metalelor și materialelor din piatră fără a folosi apă. Pentru tăierea pieselor din metal, trebuie utilizată o apărătoare specială de protecție pentru tăiere (accesorii).

ASAMBLARE ȘI OPERARE

Acțiune	Figura
ASAMBLARE	
Instalarea mânerului auxiliar	Consultați A
Montajul discurilor abrazive / de tăiere	Consultați B1,B2,B3.
Reglarea apărătorii discului NOTE: Înaintea oricăror lucrări cu mașina propriu-zisă, scoateți cablul de alimentare. Pentru operațiile cu discuri de polizare sau retezare, trebuie montată apărătoarea pentru disc. Proiecția codată de pe apărătoarea discului (10) garantează faptul că poate fi montată doar o apărătoare care se potrivește tipului de mașină. Deschideți pârghia de strângere (9). Așezați apărătoarea pentru disc (10) cu proiecția codată în canelura codată de pe arborele capului mașinii și rotiți în poziția dorită (poziția de lucru). Pentru a fixa apărătoarea pentru disc (10), închideți pârghia de strângere (9). Partea închisă a apărătorii pentru disc (10) trebuie să fie întotdeauna îndreptată spre operator.	Consultați C
OPERAȚIUNE	
Conectare la alimentare	Consultați D
Utilizarea întrerupătorului general cuplat/decuplat	Consultați E
Loci pentru prindere	Consultați F
Rectificare brută  AVERTIZARE! Nu utilizați discul de tăiere pentru rectificare brută .	
Tăierea	Consultați G

SIMBOLURI

	Pentru a reduce riscul de accidentări, utilizatorul trebuie să citească manualul de instrucțiuni
	Izolație dublă
	Avertisment
	Purtați echipament de protecție pentru urechi
	Purtați echipament de protecție pentru ochi
	Purtați mască de protecție contra prafului
	Purtați mănuși de protecție.
	Înainte de a încărca accesoriile, asigurați-vă că instrumentul este deconectat de la alimentare.
	Produsele electrice nu trebuie depuse la deșeurile împreună cu gunoii menajer. Vă rugăm să depuneți produsele electrice la unitățile de reciclare existente. Consultați-vă cu autoritățile locale sau cu distribuitorul pentru sfaturi privind reciclarea.

SFATURI PRIVIND LUCRUL CU POLIZORUL UNGHIULAR

1. Porniți întotdeauna în gol pentru a atinge viteza maximă și apoi începe operația.
2. Nu forțați discul să lucreze la viteză mai mare, reducerea vitezei de avans a discului înseamnă un timp de lucru mai mare.
3. Lucrați întotdeauna la un unghi de 15-30° între disc și piesa de prelucrat. Ungھیurile mai mari vor produce creștături pe piesa de prelucrat și vor afecta finisajul de suprafață. Deplasați polizorul unghiular de-a lungul piesei prelucrate, înainte și înapoi.
4. Când utilizați un disc de rezetare, nu modificați niciodată unghiul de tăiere deoarece veți încetini discul și motorul polizorului unghiular sau veți rupe discul. Când efectuați o operație de tăiere, tăiați doar în direcția opusă rotației discului. Dacă tăiați în aceeași direcție ca direcția de rotație a discului, discul poate ieși din tăietura efectuată.
5. Când tăiați materiale foarte dure, cele mai bune rezultate pot fi obținute cu un disc de diamant.
6. Când utilizați un disc de diamant, acesta se va încălzi foarte tare. În acest caz, veți observa un inel de scântei în jurul discului rotativ. Întrerupeți tăierea și lăsați discul să se răcească operând în gol timp de 2-3 minute.
7. Asigurați-vă întotdeauna că piesa de prelucrat este ținută sau fixată ferm pentru a împiedica mișcarea.

ÎNTREȚINERE

Scoateți ștecherul din priză de alimentare înainte de a efectua orice ajustări, operațiuni de service sau întreținere.

Interiorul uneltei electrice nu conține piese care pot fi depanate de către utilizator. Nu utilizați niciodată apă sau agenți chimici de curățare pentru curățarea uneltei electrice. Ștergeți uneața cu o cârpă uscată. Depozitați întotdeauna uneața într-un loc uscat. Mențineți fantele de aerisire a motorului curate. Feriți de praf toate comenzile de lucru. Ocazional, puteți observa scântei prin fantele de aerisire. Acest lucru este normal și nu va defecta uneața electrică.

În cazul în care cablul de alimentare este deteriorat, acesta trebuie înlocuit de către producător, agentul său de service sau persoane cu calificare similară, pentru a evita orice pericol.

DEPANAREA

Deși noul polizor unghiular este foarte simplu de operat, dacă întâmpinați probleme, verificați următoarele:

1. Dacă polizorul dumneavoastră nu funcționează, verificați conexiunea cablului de alimentare.

2. Dacă discul polizorului dumneavoastră oscilează sau vibrează, verificați dacă flanșa exterioră este strânsă; verificați dacă discul este localizat corect pe placa flanșei.
3. Dacă există dovezi că discul este deteriorat, nu îl utilizați deoarece se poate dezintegra, îndepărtați-l și înlocuiți cu un disc nou. Depuneți la deșeurile discurile vechi în mod corespunzător.
4. Dacă lucrați cu aluminiu sau un aliaj moale similar, discul se va înțepeni rapid și nu va poliza eficient.

PROTECȚIA MEDIULUI



Produsele electrice nu trebuie depuse la deșeurile împreună cu gunoii menajeri. Vă rugăm să depuneți produsele electrice la unitățile de reciclare existente. Consultați-vă cu autoritățile locale sau cu distribuitorul pentru sfaturi privind reciclarea.

DECLARAȚIE DE CONFORMITATE

Subsemnații,
POSITEC Germany GmbH
Konrad-Adenauer-Ufer 37
50668 Köln

Declarăm că produsul
Descriere **Polizor unghiular WORX**
Tip **WX710 WX711 WX712 (700-749—**
denumirea mașinii, reprezentând polizorul unghiular)
Function **Peripheral and lateral grinding**

Respectă următoarea directivă:
2006/42/EC, 2004/108/EC, 2011/65/EU

Se conformează standardelor:

EN 55014-1	EN 55014-2
EN 61000-3-2	EN 61000-3-3
EN 60745-1	EN 60745-2-3

Persoana responsabilă pentru elaborarea fișei tehnice,
Nume Russell Nicholson
Adresă Positec Power Tools (Europe)Ltd, PO Box 152,Leeds,LS10 9DS,UK



Suzhou 2015/06/30
Allen Ding
Adjunct Inginer șef, Testare și certificare

1. KNOFLÍK NA ZABLOKOVÁNÍ VŘETENA

2. VYPÍNAČ ON/OFF

3. ANTIVIBRAČNÍ PŘÍDAVNÁ RUKOJEŤ

4. PLOCHÝ KLÍČ

5. VNITŘNÍ PŘÍRUBA

6. VNĚJŠÍ PŘÍRUBA

7. NASTAVOVACÍ UPÍNACÍ MATICE

8. VŘETENO

9. UPÍNACÍ PÁKA CHRÁNIČE

10. CHRÁNIČ KOTOUČE PRO BROUŠENÍ


11. DISK*

12. CHRÁNIČ KOTOUČE PRO ŘEZÁNÍ*


* Ne všechny doplňky vyobrazené nebo popisované jsou v standardní dodávce zahrnuty.

TECHNICKÁ DATA

Typ **WX710 WX711 WX712 (700-749 - označení stroje, zástupce Úhlová bruska)**

62	WX710	WX711	WX712
Jmenovité napětí	220-240V~50/60Hz		
Jmenovitý napájecí výkon	860W	750W	860W
Jmenovitý výkon na volnoběh	12,000/min		
Max. průměr kotouče	100mm	115mm	125mm
Průměr otvoru kotouče	16mm	22.2mm	22.2mm
Závit vřetena	M10	M14	M14
Třída ochrany	 II		
Váha přístroje	2.0 kg		

ÚDAJE O HLUKU A VIBRACÍCH

	WX710	WX711 WX712
Naměřený akustický tlak	L_{pA} : 92.7dB(A)	L_{pA} : 89.7dB(A)
Naměřený akustický výkon	L_{wA} : 103.7dB(A)	L_{wA} : 100.7dB(A)
K_{pA} & K_{wA}	3.0dB(A)	
Noste chrániče sluchu, přesáhne-li akustický tlak	80dB(A) 	

INFORMACE O VIBRACÍCH

		WX710	WX711 WX712
Celkové hodnoty vibrací (trojosé nebo vektorové součtové měření) stanovené v souladu s EN 60745			
Naměřená hladina vibrací	Hodnota vibračních emisí (pro hlavní rukojeť)	$a_h = 4,071 \text{ m/s}^2$	$a_h = 5,124 \text{ m/s}^2$
	Hodnota vibračních emisí (pro přídavnou rukojeť)	$a_h = 4,557 \text{ m/s}^2$	$a_h = 9,136 \text{ m/s}^2$
	Kolisání $K = 1.5 \text{ m/s}^2$		

Deklarovaná celková hodnota vibrací může být použita pro vzájemné srovnání jednotlivých nářadí a rovněž může být použita k předběžnému stanovení doby práce.

! **VÝSTRAHA:** Hodnota vibračních emisí během praktického používání tohoto elektrického nástroje se může lišit od deklarované hodnoty v závislosti na způsobech, jakými je nástroj používán v závislosti na následujících podmínkách a dalších možnostech použití nástroje:
 Způsob, jakým je nástroj používán, a povaha narušovaných materiálů.
 Dobrý stav nástroje a řádné provádění jeho údržby
 Používání správného příslušenství s nástrojem, ostrost a dobrý stav příslušenství.
 Utažení úchopu na rukojetích a použití antivibračního příslušenství.
 Používání nástroje k účelům určeným konstrukcí a v souladu s těmito pokyny.

Při nesprávném používání může tento nástroj způsobit syndrom vibrací rukou a paží.

! **VÝSTRAHA:** Je třeba upřesnit, že při odhadu výše rizika vibrací v praxi je nutno rovněž zohlednit všechny fáze pracovního cyklu, například dobu, kdy je nástroj vypnutý a kdy běží naprázdno, ale nevykonává práci. To může podstatně snížit působení vibrací v rámci celkového pracovního času.

Zásady pro omezení rizika působení vibrací:

Provádějte údržbu tohoto nástroje v souladu s těmito pokyny a nástroj (příslušným způsobem) dobře promazávejte.

Má-li být tento nástroj používán pravidelně, zakupte antivibrační příslušenství.

Nepoužívejte nástroje při teplotě 10°C nebo nižší.

Naplánujte práci tak, aby bylo provádění úkolů, které vyžadují silné vibrace nástroje, rozloženo do několika dní

PŘÍSLUŠENSTVÍ/MNOŽSTVÍ

	WX710	WX711	WX712
Ploché klíč		1	
Kovový brusný kotouč		1	
Přídavná rukojeť	1	1	/
Antivibrační přídavná rukojeť	/	/	1

Doporučujeme, abyste si příslušenství zakoupili od stejného prodejce, u kterého jste koupili nářadí. Používejte příslušenství dobré kvality opatřené všeobecně známou značkou. Vyberte si typ podle toho, jakou práci hodláte vykonávat. Pro další detaily prostudujte obal příslušenství. V případě potřeby požádejte personál prodejny o pomoc a radu.

BEZPEČNOSTNÍ POKYNY PRO VŠECHNY ČINNOSTI

BEZPEČNOSTNÍ UPOZORNĚNÍ SPOLEČNÁ PRO BROUŠENÍ NEBO ABRAZIVNÍ ŘEZÁNÍ:

a) Toto nářadí je určeno pro broušení.

Seznamte se všemi varováními, pokyny, obrázky a parametry dodanými s tímto elektrickým nářadím. Pokud se nebudete řídit následujícími instrukcemi, může dojít k vypuknutí požáru nebo k dalším vážným zraněním způsobeným nejen elektrickým proudem.

b) S tímto elektrickým nástrojem

nedoporučujeme provádět například broušení brusným papírem, broušení drátěným kartáčem nebo leštění. Způsoby používání, pro které tento nástroj není určen, mohou způsobit nebezpečí a zranění.

c) Nářadí používejte jen pro určený typ prací doporučený výrobcem.

Možnost namontovat na nářadí příslušenství neznámá, že daná kombinace bude fungovat bezpečně.

d) Jmenovité otáčky příslušenství se musí rovnat nebo být vyšší než jmenovité otáčky vyznačené na nářadí.

Příslušenství používané při vyšších než doporučených otáčkách může způsobit zranění osob nebo poškození nářadí.

e) Rozměry příslušenství musí vyhovovat parametrům nářadí.

Příslušenství nesprávných rozměrů nelze přiměřeně chránit ani ovládat.

f) Nasazovací nástroje se závitovou vložkou musejí přesně lícovat na závit brusného vřetene. U nasazovacích nástrojů, jež jsou montované prostřednictvím příruby, musí průměr otvoru nasazovacího nástroje lícovat na upínací průměr příruby.

Nasazovací nástroje, které nejsou na elektronářadí upevněny přesně, se nerovnoměrně otáčejí, velmi silně vibrují a mohou vést ke ztrátě kontroly.

g) Nepoužívejte poškozené příslušenství.

Před každým použitím zkontrolujte příslušenství jako brusné kotouče, nejsou-li prasklé, vyštípané, nemají-li podložní destičky praskliny, nejsou-li příliš opotřebené, nebo neztrácí-li drátěný kartáč drátky. Pokud Vám nářadí upadne, zkontrolujte způsobené poškození nebo namontujte nepoškozené příslušenství. Po kontrole a montáži příslušenství postavte vy i jiné přítomné osoby mimo rovinu řezu kotouče a nechte brusku běžet jednu minutu bez zátěže. Poškozené příslušenství se obvykle během tohoto testu rozpadne.

h) Použijte osobní ochranné pomůcky. Podle typu práce používejte ochranný štít, ochranné brýle (s boční ochranou nebo bez ní). Podle potřeby použijte protiprachovou masku, chrániče sluchu, rukavice a zástěru, schopnou zastavit malé kousky brusiva a materiálu. Ochrana očí musí být schopna zadržet odlétávající úlomky. Protiprachová maska nebo respirátor musí zachytit částice vzniklé při práci s nářadím. Delší pobyt v hluku může poškodit sluch.

i) Přihlízející osoby musí být v bezpečné vzdálenosti. Osoby vstupující na pracoviště musí používat osobní ochranné prostředky. Úlomky kotouče nebo materiálu mohou odlétávat i mimo bezprostřední pracovní prostor a způsobit zranění.

j) Držte ruční elektrické nářadí za odizolované povrchy při práci v podmínkách, kde je možné, že se řezací nástroj dostane do kontaktu se skrytou elektrickou sítí nebo vlastním kabelem.

Kontakt s elektrickým vedením pod napětím může přivést napětí i na kovové díly stroje a vést k úderu elektrickým proudem.

k) Napájecí kabel nesmí přijít do blízkosti otáčejícího se kotouče.

Pokud ztratíte kontrolu nad nářadím, šňůra může být zachycena nebo přefézána, případně může vtáhnout Vaše ruce do prostoru otáčejícího se nástroje.

l) Brusku odložte až po úplném zastavení kotouče.

Otáčející se nástroj může zachytit povrch materiálu a vytrhnout vám nářadí z rukou.

m) Nespouštějte motor nářadí během přenášení po straně těla.

Náhodný kontakt s otáčejícím se příslušenstvím může zachytit oděv a přitáhnout kotouč k tělu.

n) Pravidelně čistěte větrací otvory nářadí.

Větrák motoru vtahuje do pláště brusky prach a přílišné nahromadění práškového kovu může způsobit úraz elektrickým proudem.

o) Brusku nepoužívejte v blízkosti hořlavých materiálů.

Odlétávající jiskry mohou materiál zapálit.

p) Nepoužívejte příslušenství vyžadující kapalná chladicí média.

Použití chlazení vodou nebo jinou kapalinou může způsobit úraz elektrickým proudem.

q) Při práci musíte držet nástroj za držadlo. Vždy používejte pomocná držadla dodaná s nástrojem. Ztráta kontroly může způsobit zranění.

DALŠÍ BEZPEČNOSTNÍ POKYNY PRO VŠECHNY ČINNOSTI

Zpětný ráz a jiná varování

Zpětný ráz je náhlá reakce nářadí na sevření, nebo

zaseklý rotující kotouč, podložní destičku, kartáč nebo jiné příslušenství. Sevržení nebo zaseknutí kotouče způsobí rychlé zastavení rotující části, které má za následek vznik nekontrolovaného vymrštění nářadí opačným směrem než je směr otáčení v bodě zastavení kotouče.

Je-li například kotouč zachycen v opracovávaném materiálu, hrana kotouče v místě zachycení se zařizuje do materiálu a způsobí uvolnění nebo vyhození kotouče. Kotouč pak může buď vyskočit dopředu nebo směrem od uživatele, v závislosti na směru otáčení kotouče v bodě zachycení. Brusné kotouče se za takových okolností mohou rozbít na kusy.

Zpětný ráz je výsledkem špatných pracovních postupů a podmínek a můžete se mu vyhnout náležitými preventivními kroky tak, jak se uvádí níže.

a) Nářadí pevně uchopte a postavte se tak, abyste případnému vymrštění nástroje dokázali vzdorovat. Vždy, když je k dispozici, namontujte přídavnou rukojeť. Získáte tím maximální kontrolu nad vymrštěním nářadí nebo nad reakcí krouticího momentu při započetí práce.

Je-li uživatel připraven, může reagovat na důsledek krouticího momentu nebo zpětný ráz včas.

b) Nikdy nepřibližujte ruce k rotujícím částem. Nářadí může být vymrštěno přes vaše ruce.

c) Postavte se tak, aby vás nářadí při vymrštění kotouče nezasáhlo. Zpětný ráz vyhodí nářadí směrem opačným k otáčení kotouče v bodě jeho zachycení.

d) Buďte obzvláště opatrní při práci v rozích, okolo ostrých hran apod., nářadí může být zachyceno nebo odhozeno. Práce v rozích a na hranách a poskočení nářadí mají tendenci zastavit rotaci kotouče a způsobit ztrátu kontroly nad nářadím.

e) Nenasazujte řetězový kotouč pro dlabání dřeva ani ozubený pilový kotouč. Tyto kotouče způsobují časté zpětné rázy a ztrátu kontroly.

DODATEČNÉ BEZPEČNOSTNÍ POKYNY PRO BROUŠENÍ A ABRAZIVNÍ ŘEZÁNÍ **Bezpečnostní pokyny pro broušení a abrazivní řezání:**

a) Ke kotouči vždy použijte ochranný kryt. Ochranný kryt musí být pevně uchycen k nářadí v poloze pro maximální ochranu tak, že směrem k uživateli je obnažena jen minimální část kotouče. Kryt chrání uživatele před kusy prasklého kotouče a před náhodným kontaktem s kotoučem.

b) Zalomené brusné kotouče musejí být

namontované tak, aby svou brusnou plochou nepřechývaly nad rovinnou okraje ochranného krytu. Nesprávně namontovaný brusný kotouč, který vyčnívá nad rovinnou okraje ochranného krytu, nemůže být dostatečně krytý.

c) Používejte jen kotouče doporučené pro vaše nářadí a jejich ochranné kryty. Dělicí kotouče jsou určeny k úběru materiálu hranou kotouče. Boční působení síly na tuto brusná tělesa je může rozlámat.

d) Kotouče používejte jen pro doporučené typy prací. Nepoužívejte boční stranu řezného kotouče na broušení. Kotouče pro abrazivní řezání jsou určeny pro zátěž na hraně, boční tlak může způsobit jejich roztrhnutí.

e) Používejte jen nepoškozené příruby správné velikosti a tvaru, vhodné pro váš kotouč. Správné příruby drží kotouč a snižují riziko jeho prasknutí. Příruby pro řezné kotouče jsou jiné než příruby pro brusné kotouče.

f) Nepoužívejte opotřeбенé kotouče z většího nářadí. Kotouče určené pro větší typy nářadí se nehodí pro vyšší otáčky menšího nářadí a mohou se roztrhnout.

DODATEČNÉ BEZPEČNOSTNÍ POKYNY PRO ŘEZÁNÍ

Bezpečnostní pokyny pro broušení a abrazivní řezání:

a) Při řezání nepoužívejte přílišný tlak, aby se kotouč nezastavil v řezu. Nepokoušejte se provést příliš hluboký řez. Velká síla působící na kotouč a náchylnost na zkroucené nebo zaseknutí v řezu zvyšují možnost zpětného rázu nebo roztrhnutí kotouče.

b) Nikdy nestůjte v linii řezu a za rotujícím kotoučem. Pokud se kotouč při práci pohybuje ve směru od vašeho těla, zpětný ráz jej vymrští přímo na vás.

c) Zasekne-li se kotouč nebo je-li potřeba řezání z nějakého důvodu přerušit, uvolněte vypínač a držte pilu nehybně v materiálu, dokud se kotouč nezastaví. Nikdy se nepokoušejte řezný kotouč vyndat z řezu, pokud se otáčí, jinak může dojít k vymrštění nářadí. Rotující řezný kotouč nikdy nevytahujte z řezu, mohlo by dojít k jeho odmrštění vaším směrem.

Přezkoumejte a udělejte opravné kroky, abyste minimalizovali důvod zaseknutí kotouče.

d) V řezání nepokračujte, je-li kotouč v řezu. Nechte kotouč roztočit v pracovních okřídlech a poté jej opatrně opět vložte do řezu. Kotouč se při zapnutí motoru může v řezu zaseknout vyběhnout z řezu, nebo být vymrštěn ven

e) Velké desky nebo jiné rozměrné

kusy materiálu podložte tak, abyste minimalizovali riziko sevření kotouče a jeho případné vymrštění. Velké kusy se mají tendenci prohýbat pod vlastní vahou. Podpěry musí být umístěny pod oběma stranami obrobku, blízko linie řezu a blízko okraje materiálu.

- f) Bud'te zvlášt' obezřetní, když budete řezat do stojících zdí nebo jiných neznámých objektů.** Přechnívající kotouč se může zařiznout do potrubí plynového nebo vodovodního rozvodu, do elektrických rozvodů nebo může být při nárazu na překážky streichen z drážky vymrštěn.

SYMBOLY

	Pro omezení rizika zranění si pečlivě přečtete návod k obsluze.
	Dvojitá izolace
	Výstraha
	Používejte pomůcky pro ochranu sluchu.
	Používejte pomůcky pro ochranu očí.
	Používejte protiprachovou masku (respirátor)
	Používejte ochranné rukavice.
	Před výměnou příslušenství musí být nástroj odpojen od elektrické zásuvky.
	Vysloužilé elektrické produkty byste neměli vyhazovat společně s komunálním odpadem. Odevzdejte je do sběren pro tento účel zřízených, aby mohlo dojít k jejich ekologické likvidaci - recyklaci. O možnostech recyklace se informujte na místních úřadech nebo u prodejce.

NÁVOD NA POUŽITÍ

POZNÁMKA: Předtím než začnete nářadí používat, přečtete si pečlivě manuál.

ÚČEL POUŽITÍ

Elektrické nářadí je určeno k dělení, hrubování a kartáčování kovových a kamenných materiálů bez použití vody. K dělení kovu se musí použít speciální ochranný kryt pro dělení (příslušenství).

SESTAVENÍ A POUŽÍVÁNÍ

Prováděný úkon	Obr.
SESTAVENÍ	
Montáž pomocné rukojeti	Viz A
Montáž brusných / řezných kotoučů	Viz B1, B2, B3
Nastavení ochranného krytu POZNÁMKA: Před údržbou nebo nastavováním brusky odpojte nářadí od el. sítě. Při práci s brusnými nebo řeznými kotouči použijte ochranný kryt. Kódovaný výstupek na ochranném krytu (10) zaručuje, že se na nářadí dají namontovat jen takové kryty, které jsou pro něj určeny. Otevřete upínací páku (9). Ochranný kryt (10) s kódovaným výstupkem vložte do kódované drážky na límci vřetena hlavy brusky a otočte jej do požadované (pracovní) polohy. Chcete-li zajistit chránič kotouče (10), zavřete upínací páku (9). Uzavřená strana ochranného krytu (10) musí směřovat vždy směrem k obsluze.	Viz C
POUŽITÍ	
Připojení k napájení	Viz D
Použití hlavního spínače zap./vyp.	Viz E
Místa pro úchop	Viz F
Hrubé obroušení VAROVÁNÍ! Nikdy nepoužívejte řezný kotouč pro hrubé obroušení.	
Řezání	Viz G

TIPY PRO PRÁCI S ÚHLOVOU BRUSKOU

1. Brusku vždy zapínejte na volnoběh, aby před prací dosáhla maximálních otáček.
2. Nesnažte se brusný výkon zvýšit větším přitlakem na brusný kotouč, výsledkem jsou snížené otáčky a delší časy opracování.
3. Při práci vždy dodržujte 15-30 stupňový úhel mezi brusným kotoučem a povrchem materiálu. Je-li úhel větší, kotouč udělá rýhy do povrchu a zhorší jeho úpravu. Brusku vedte napříč materiálem pohyby ze strany na stranu.
4. Používáte-li řezný kotouč, nikdy neměňte řezný úhel, jinak se zasekne kotouč a zastaví motor, případně praskne brusný kotouč. Při řezání řezte v opačném směru než je otáčení řezného kotouče. Při řezání ve stejném směru, jakým se otáčí řezný kotouč, může kotouč vypadnout z řezné drážky.
5. Při řezání velmi tvrdých materiálů dosáhnete nejlepších výsledků diamantovým kotoučem.
6. Diamantový kotouč se při řezání silně zahřeje. Nastane-li tento jev a jiskry budou vidět po celém obvodu kotouče, řezání zastavte a nechte nářadí ochladit volnoběhem po dobu 2-3 minut.
7. Pokud možno se ujistěte, že pracovní kus je dobře uchycený a neuvolňuje se.

ÚDRŽBA

Před prováděním libovolných úprav nebo údržby odpojte nářadí od sítě.

Vaše elektrické ruční nářadí nepotřebuje dodatečné mazání a údržbu.

Na vašem elektrickém ručním nářadí nejsou žádné části, které potřebují servisní zásah. Nikdy nepoužívejte vodu nebo chemické čističe na čištění vašeho ručního elektrického nářadí. Utírejte jej dočista suchým hadrem. Vždy jej skladujte na suchém místě. Udržujte ventilační otvory motoru čisté. Udržujte všechny pracovní ovladače čisté bez prachu. Občas můžete přes ventilační otvory vidět jiskry. Je to normální a nepoškodí to vaše ruční elektrické nářadí.

Pokud je napájecí kabel poškozený, musí být vyměněn výrobcem, servisním technikem nebo stejně kvalifikovanou osobou, aby se zabránilo riziku.

ODSTRAŇOVÁNÍ PROBLÉMŮ

Ačkoliv je ovládání této nové úhlové brusky skutečně velmi jednoduché, setkáte-li se s problémy, proveďte následující kontrolu:

1. Pokud bruska nefunguje, zkontrolujte napájení a

- zástrčku napájecího kabelu.
2. Pokud kotouč brusky kmitá nebo vibruje, zkontrolujte, zda je vnější příruba utažená; zkontrolujte, zda je kotouč správně nasazen na desce příruby.
3. Pokud je kotouč viditelně poškozen, nepoužívejte jej, protože poškozený kotouč se může roztrhnout; sejměte jej a nahraďte novým kotoučem. Staré kotouče ekologicky zlikvidujte.
4. Při práci na hliníku nebo podobné měkké slitině se kotouč brzy zanes a nebude dostatečně brousit.

OCHRANA ŽIVOTNÍHO PROSTŘEDÍ



Vysloužilé elektrické přístroje nevyhazujte společně s domovním odpadem. Nářadí recykluje ve sběrnách k tomu účelu zřízených. O možnostech recyklace se informujte na místních úřadech nebo u prodejce.

PROHLÁŠENÍ O SHODĚ

My,
POSITEC Germany GmbH
Konrad-Adenauer-Ufer 37
50668 Köln

Prohlašujeme, že tento výrobek
Popis **Úhlová bruska WORX**
Typ **WX710 WX711 WX712 (700-749 - označení stroje, zástupce Úhlová bruska)**
Funkce **Vnější a boční broušení**

Je v souladu s následujícími směrniciemi:
2006/42/EC, 2004/108/EC, 2011/65/EU

Splňované normy

EN 55014-1	EN 55014-2
EN 61000-3-2	EN 61000-3-3
EN 60745-1	EN 60745-2-3

Osoba oprávněná uspořádat technický soubor :

Název Russell Nicholson
Adresa Positec Power Tools (Europe)Ltd, PO
Box 152,Leeds,LS10 9DS,UK



Suzhou 2015/06/30

Allen Ding

Zástupce vrchní konstrukční kanceláře, Testování & Certifikace

1. GOMBÍK BLOKOVANIA VRETENA
2. VYPÍNAČ ON-OFF
3. ANTIVIBRAČNÁ PRÍDAVNÁ RUKOVÄŤ
4. PLOCHÝ KLÚČ
5. VNÚTORNÁ PRÍRUBA
6. VONKAJŠIA PRÍRUBA
7. UPÍNACIA NASTAVOVACIA MATICA
8. VRETENO
9. UPÍNACIA PÁČKA KRYTU
10. KRYT BRÚSNEHO KOTÚČA
11. PÍLOVÝ KOTÚČ*
12. KRYT PÍLOVÉHO KOTÚČA *


* Štandardná dodávka neobsahuje všetko zobrazené či opísané príslušenstvo.

TECHNICKÉ ÚDAJE

Typ **WX710 WX711 WX712 (700-749 - označenie zariadenia, zástupca Uhlová brúska)**

68	WX710	WX711	WX712
Menovité napätie	220-240V~50/60Hz		
Menovitý príkon	860W	750W	860W
Otáčky na voľnobeh	12,000/min		
Max. priemer brúsneho kotúča	100mm	115mm	125mm
Priemer otvoru kotúča	16mm	22.2mm	22.2mm
Závit vretena	M10	M14	M14
Trieda ochrany	□ / II		
Hmotnosť náradia	2.0 kg		

ÚDAJE O HLUČNOSTI A VIBRÁCIÁCH

	WX710	WX711 WX712
Nameraný akustický tlak	L_{pA} : 92.7dB(A)	L_{pA} : 89.7dB(A)
Nameraný akustický výkon	L_{wA} : 103.7dB(A)	L_{wA} : 100.7dB(A)
K_{pA} & K_{wA}	3.0dB(A)	
Použite chrániče sluchu, ak akustický tlak presiahne	80dB(A) 	

INFORMÁCIE O VIBRÁCIÁCH

		WX710	WX711 WX712
Výsledné celkové hodnoty pre vibrácie (suma pre trojosový vektor) stanovené podľa normy EN 60745:			
Typické frekvenčne vážené vibrácie	Hodnota emisie vibrácií (pre hlavnú rukoväť)	$a_h = 4,071\text{m/s}^2$	$a_h = 5,124\text{m/s}^2$
	Hodnota emisie vibrácií (pre prídavnú rukoväť)	$a_h = 4,557\text{m/s}^2$	$a_h = 9,136\text{m/s}^2$
	Nepresnosť $K = 1.5\text{m/s}^2$		

Deklarovaná celková hodnota vibrácií sa môže použiť na vzájomné porovnanie jednotlivých náradí a takisto aj na predbežné stanovenie času práce.

! **VÝSTRAHA:** Hodnota emisie vibrácií počas skutočného používania elektrického náradia sa môže odlišovať od deklarovanej hodnoty, a to v závislosti od spôsobu používania náradia a v závislosti od nasledujúcich príkladov odchýlok od spôsobu používania náradia:
 Akým spôsobom sa náradie používa a aké materiály budú rezané.
 Náradie je v dobrom stave a je dobre udržiavané.
 Používanie správneho príslušenstva v spojení s náradím a zabezpečenie jeho ostroty a dobrého stavu.
 Tesnosť zovretia rukoväti a používanie doplnkov proti vibráciám.
 Používanie náradia na účel určený podľa konštrukcie a v súlade s pokynmi.

Toto náradie môže vyvolať syndróm trasenia rúk a ramien, pokiaľ jeho používanie nie je správnym spôsobom riadené.

! **VÝSTRAHA:** Kvôli presnosti by mal odhad úrovne expozície v skutočných podmienkach používania obsahovať taktiež taktiež obsahovať všetky súčasti prevádzkového cyklu, ako sú časy, keď je náradie vypnuté a počas ktorých beží na voľnobehu, a to okrem skutočného vykonávania práce. Tým môže dôjsť k značnému zníženiu úrovne expozície počas celkového prevádzkového času.
 Pomôžte minimalizovať riziko expozície účinkom vibrácií.
 Náradie udržiavajte v súlade s týmto návodom a udržiavajte ho dobre namazané (ak je to potrebné).
 Ak sa náradie používa často, investujte do príslušenstva zabraňujúceho vibráciám.
 Vyhnite sa používaniu náradia pri teplote 10°C a menej.
 Prácu si naplánujte tak, aby ste akékoľvek používanie náradia pri vysokých vibráciách rozdelili do niekoľko dní.

PRÍSLUŠENSTVO

	WX710	WX711	WX712
Plochý kľúč		1	
Pomocná rukoväť		1	
Kovový brúsny kotúč	1	1	/
Prídavná antivibračná rukoväť	/	/	1

Odporúčame príslušenstvo kúpiť v rovnakom obchode ako samotné náradie. Používajte kvalitné značkové príslušenstvo. Typ príslušenstva zvolte podľa typu vykonávanej práce. Podrobnejšie informácie sú pribalené k jednotlivému príslušenstvu. Odborní predavači vám pomôžu a poradia.

BEZPEČNOSTNÉ POKYNY PRE VŠETKY ČINNOSTI

BEZPEČNOSTNÉ VÝSTRAHY SPOLOČNÉ PRE ČINNOSTI BRÚSENIA A ROZBRUSOVANIA:

- a) **Toto náradie je určené na fungovanie ako brúska. Prečítajte si všetky výstrahy, pokyny, prezrite si obrázky a technické parametre poskytované s touto brúskou.** Neschopnosť dodržiavať varovania a pokyny môže viesť k elektrickému šoku, vypuknutiu požiaru a/alebo k vážnym zraneniam.
- b) **Pomocou tohto elektrického náradia vám neodporúčame vykonávať činnosti, ako je brúsenie, brúsenie drôtenou kefou ani leštenie.** Činnosti, pre ktoré nebolo elektrické náradie navrhnuté, môžu byť rizikové a dôsledkom môže byť osobné poranenie.
- c) **Používajte iba výrobcom konštruované a odporúčané príslušenstvo.** Skutočnosť, že sa príslušenstvo dá namontovať na vašu brúsku, neznamená, že bude aj bezpečne fungovať.
- d) **Príslušenstvo musí byť stavané najmenej pre menovité otáčky vyznačené na brúske,** príslušenstvo používané pri vyšších ako týchto menovitých otáčkach sa môže rozletieť na kusu.
- e) **Vonkajší priemer a hrúbka príslušenstva (brúsneho kotúča) musia vyhovovať parametrom brúske.** Brúsne kotúče nesprávnej veľkosti nemožno primerane chrániť ani ovládať.
- f) **Pracovné nástroje, ktoré sú vybavené vložkou so závitom, musia presne pasovať na závit brúsneho vretena. Pri takých pracovných nástrojoch, ktoré sa montujú pomocou príruby, treba priemer otvoru pracovného nástroja prispôbiť upínaciu priemeru príruby.** Pracovné nástroje, ktoré nie sú presne upevnené do upínacieho mechanizmu ručného elektrického náradia, sa otáčajú nerovnomerne a intenzívne vibrujú, čo môže mať za následok stratu kontroly nad ručným elektrickým náradím.
- g) **Poškodené príslušenstvo nepoužívajte. Pred použitím každú časť, ako sú brúsne kotúče a podložné doštičky, prezrite, či nemajú praskliny alebo vyštrbené okraje, nie sú opotrebované. Pri drôtených kefách kontrolujte zlomené alebo vypadnuté drôty. Ak vám brúska spadne na zem, overte vzniknuté poškodenie a prípadne namontujte nepoškodené príslušenstvo.** Po tom, čo ste prezreli a namontovali príslušenstvo, vzdialte sa spolu s ostatnými prítomnými osobami mimo roviny otáčania príslušenstva a nechajte brúsku bežať asi minútu bez záťaže. Poškodené

príslušenstvo sa obvykle v priebehu tohto testu rozpadne na kusu.

- h) **Používajte osobné ochranné prostriedky. Podľa druhu práce použite tvárový štít, ochranné alebo bezpečnostné okuliare. Podľa potreby použite protiprachovú masku, chrániče sluchu, rukavice a pracovnú zásteru, ktorá je schopná zastaviť malé abrazívne predmety, alebo kusy brúseného materiálu. Ochrana zraku musí byť schopná zachytiť odletujúce malé kúsky vznikajúce pri rôznych prácach.** Protiprachová maska alebo respirátor musia byť schopné odfiltrovať častice vzniknuté počas práce. Dlhšia expozícia silnému huku môže poškodiť sluch.
- i) **Nedovoľte tretím osobám prístup na pracovisko. Každá osoba na pracovisku musí používať osobné ochranné prostriedky.** Kusy materiálu alebo pracovného nástroja môže odletovať a spôsobiť zranenie aj vo väčších vzdialenostiach od samotného miesta brúsenia.
- j) **Tam, kde by sa elektrické náradie pri práci mohlo dostať do kontaktu so zakrytými vodičmi alebo svojou vlastnou napájacou šnúrou, náradie držte za izolované úchopové časti.** Kontakt s elektrickým vedením, ktoré je pod napätím, môže dostať pod napätie aj kovové súčiastky náradia a spôsobiť zásah elektrickým prúdom.
- k) **Napájací šnúra sa nesmie dostať do blízkosti otáčajúcich sa častí.** Ak nad náradím stratíte kontrolu, napájací šnúra sa môže narezať, zachytiť a vtiahnuť vaše ruky k otáčajúcim sa častiam náradia.
- l) **Náradie neodkladajte, kým sa motor otáča.** Otáčajúci sa pracovný nástroj sa môže zarezať do povrchu a vytrhnúť náradie spod vašej kontroly.
- m) **Náradie pri prenášaní opreté o bok nesmie byť zapnuté.** Náhodný kontakt s otáčajúcim sa pracovným nástrojom môže spôsobiť zachytenie odevu a priťahnutie náradia k telu.
- n) **Pravidelne čistite vetracie otvory motora.** Vetrák motora nasáda dovnútra krytu brúsky prach a prílišné nahromadenie práškoveho kovu môže spôsobiť skrat.
- o) **Brúsku nepoužívajte v blízkosti horľavých materiálov.** Odletujúce iskry môžu spôsobiť jeho vznietenie.
- p) **Nepoužívajte príslušenstvo, ktorési vyžaduje chladenie kvapalinami.** Použitie vody alebo iného kvapalného chladiva môže viesť k úrazu elektrickým prúdom alebo šoku.
- q) **Svoje náradie počas práce držte za rukoväť.** Používajte prídavné rukoväte rukoväti spolu s náradím. Strata kontroly môže viesť k úrazu

ĎALŠIE BEZPEČNOSTNÉ POKYNY PRE VŠETKY ČINNOSTI

Vymrštenie náradia a príbuzné výstrahy

Vymrštenie náradia je náhla reakcia na zovretý alebo zachytený brúsny kotúč, podložnú doštičku, kefkú alebo iné príslušenstvo. Príškripenutie alebo zovretie brúsneho kotúča spôsobí jeho náhle zastavenie, v dôsledku čoho vznikajú sily, ktoré sa náradie v bode zovretia snažia odhodiť opačným smerom ako smer otáčania.

Ak je napríklad brúsny kotúč zachytený alebo príškripenutý opracovávaným kusom materiálu, okraj kotúča vnikajúci do miesta príškripenutia sa môže zasaknúť do materiálu a spôsobiť, že kotúč vylezie alebo je vyhodенý von. Kotúč môže poskočiť dopredu alebo preč od pracovníka, v závislosti od pohybu kotúča v mieste jeho zastavenia. Brúsny kotúč sa môže za týchto podmienok rozletieť na kusy.

Vyhodenie kotúča z drážky je výsledkom nesprávneho používania náradia a/alebo neprávneho postupu rezania či podmienok rezania a dá sa mu zabrániť, ak sa dodržia nižšie uvedené pokyny.

- a) **Náradie pevne držte a stojte tak, aby vaše ramená a telo umožňovali vzdorovať vymršteniu náradia. Vždy používajte prídavnú rukoväť, ak je k dispozícii, získate tým maximálnu kontrolu nad snagou náradia vytrhnúť sa z rúk, alebo silám pri zapnutí náradia.** Pracovník je schopný zvládnuť sily krútiaceho momentu uvoľnené pri príškripenutí kotúča alebo spustení náradia.
- b) **Ruky nikdy nedávajte do blízkosti rotujúcich častí náradia.** Príslušenstvo môže byť vymrštené cez vaše ruky.
- c) **Postavte sa tak, aby ste nestáli v smere, v ktorom bude náradie potenciálne vymrštené.** Smer vymrštenia náradia je opačný ako smer otáčania kotúča v momente zastavenia.
- d) **Buďte mimoriadne opatrní pri práci v rohoch, pri ostrých okrajoch a pod. tak, aby pracovný nástroj nenarazil ani nebol zachytený.** Rohy, ostré uhly a poskakovanie nástroja zvyšujú riziko zastavenia nástroja a následnú stratu kontroly nad náradím.
- e) **Nenasadzujte pilový rezbársky list ani ozubený pilový list.** Takéto čepele vytvárajú časté spätné nárazy a stratu ovládania.

ĎALŠIE BEZPEČNOSTNÉ POKYNY PRE ČINNOSTI BRÚSENIA A ROZBRUSOVANIA

Bezpečnostné výstrahy špeciálne pre činnosti brúsenia a abrazívneho rezania:

- a) **Vždy používajte ochranný kryt navrhnutý pre typ kotúča, ktorý používate. Kryt musí byť s náradím pevne spojený a umiestnený pre maximálnu bezpečnosť tak, aby voči pracovníkovi bola obnažená čo najmenšia**

časť kotúča. Ochranný kryt pomáha chrániť osoby pred kusmi prasknutého kotúča a náhodným kontaktom s kotúčom.

- b) **Lomené brúsne kotúče treba montovať tak, aby ich brúsna plocha neprečnievala cez rovinu okraja ochranného krytu.** Neodborne namontovaný brúsny kotúč, ktorý prečnieva cez rovinu okraja ochranného krytu, sa nedá dostatočne odcloniť.
- c) **Používajte iba také brúsne a rezné kotúče, ktoré sú určené pre vaše náradie a typ ochranného preň určeného.** Rezacie kotúče sú určené na uberanie materiálu hranou kotúča. Pôsobenie bočnej sily na tento kotúč môže spôsobiť jeho zlomenie.
- d) **Kotúče treba používať iba pre odporúčané činnosti.** Napríklad: nepoužívajte bočnú stranu kotúča na obrusovanie, Abrazívne rezné kotúče sú určené pre periférne brúsenie, ak na nich pôsobia bočné sily, môžu sa rozletieť na kusy.
- e) **Vždy používajte nepoškodené kotúčové príruby správnej veľkosti a tvaru pre vami zvolený typ kotúča.** Správne príruby kotúča sa opierajú o kotúč a znižujú tak riziko jeho prasknutia. Príruby pre rezné kotúče sú iné ako príruby pre brúsne kotúče.
- f) **Nepoužívajte opotrebené kotúče z väčšieho typu elektrického náradia.** Ak pochádza z väčšieho typu náradia, nie je kotúč vhodný pre väčšie otáčky malého náradia a môže sa rozletieť.

ĎALŠIE BEZPEČNOSTNÉ POKYNY PRE ČINNOSTI ROZBRUSOVANIA

Dodatocné bezpečnostné výstrahy špeciálne pre činnosti abrazívneho rezania:

- a) **Rezný kotúč sa nesmie zaseknúť ani naň nesmie byť vyvíjaný prílišný tlak. Nesnažte sa urobiť veľmi hlboký rez.** Prílišné namáhanie kotúča zvyšuje jeho záťaž a náchylnosť ku skrúteniu alebo zaseknutiu v reze s následným vymrštením náradia a straty kontroly nad ním.
- b) **Nikdy nestojte priamo v línii rezu.** Ak sa kotúč v mieste operácie pohybuje smerom od vášho tela, možné vymrštenie kotúča a náradia bude smerovať priamo na vás.
- c) **Ak sa kotúč zasekne alebo rezanie z nejakého dôvodu treba prerušiť, uvoľnite vypínač a držte pílu nehybne v materiáli, kým sa kotúč nezastaví.** Nikdy nevyberajte rezný kotúč z rezu, kým sa otáča, inak môže dôjsť k vymršteniu náradia. Preskúmajte príčiny zovretia kotúča a nájdite spôsob, ako tomu zabrániť.
- d) **Ak náradie stojí v reze, nepokračujte v rezaní tým, že náradie zapnete. Pred začatím rezania nechajte kotúč nabehnúť**

do pracovných otáčok a potom ho vložte do rezu. Ak sa náradie spustí s kotúčom v reze, kotúč sa môže zaseknúť, vybehnúť z rezu alebo je celé náradie vymrštené z materiálu.

e) Veľké ploché kusy podložte, aby ste znížili riziko zovretia kotúča a vymrštenia píly.

Veľké kusy sa pri rezaní vlastnou váhou ohýbajú. Podložka musí byť pod oboma koncami rezaného kusa, blízko línie rezu a pri okrají rezaného kusa.

f) Mimoriadne opatrní buďte pri „zarezaní“ do existujúcich stien alebo iných povrchov, za ktoré nie je vidieť. Prečnievajúci kotúč môže zarezať do vodovodných rúrok, elektrických rozvodov alebo objektov, ktoré sú schopné zastaviť kotúč a odmrštiť náradie.

NÁVOD NA POUŽITIE




POZNÁMKA: Pred tým, ako náradie použijete, prečítajte si návod na použitie.

URČENÉ POUŽITIE

Toto ručné elektrické náradie je určené na rezanie, na hrubovanie (obrusovanie) a na brúsenie kefou kovových a kamenných materiálov bez použitia vody. Na rezanie kovu treba používať špeciálny ochranný kryt na rezanie (príslušenstvo). Na rezanie kameňa treba používať špeciálny odsávací kryt na rezanie s vodiacimi saňami (príslušenstvo).

MONTÁŽ A OBSLUHA

Vykonávaný úkon	Obr.
ZOSTAVENIE	
Inštalácia prídavnej rukoväti	Pozri obr. A
Montáž brúsnych / rezných kotúčov	Pozri obr. B1, B2, B3
Nastavenie ochranného krytu POZNÁMKA: Pred akoukoľvek prácou na náradí samotnom vytiahnite sieťovú zástrčku. Pri práci s reznými alebo brúsnyimi kotúčmi musí byť používaný ochranný kryt. Kódovaný výstupok na ochrannom kryte (10) zaručuje, že na náradie sa dá namontovať iba kryt, ktorý sa tam hodí. Uvoľnite upínaciu páčku (9). Ochranný kryt (10) s kódovaným výstupkom vložte do zodpovedajúcej drážky na golieri vretena v hlave náradia a otočte ho do požadovanej (pracovnej) polohy. Kryt brúsneho kotúča (10) upevnite zatvorením upínacej páčky (9). Zavretá strana krytu musí vždy smerovať k pracovníkovi (10).	Pozri obr. C
FONCTIONNEMENT	
Pripojenie k napájaniu	Pozri obr. D
Použitie hlavného vypínača zap./vyp.	Pozri obr. E
Miesto pre uchopenie	Pozri obr. F
Hrubé brúsenie  VAROVNIE! Nikdy nepoužívajte rezný kotúč na hrubé brúsenie.	
Rezanie	Pozri obr. G

SYMBOLY

	Kvôli zníženiu rizika poranenia je potrebné, aby si používateľ najprv prečítal návod.
	Dvojitá izolácia
	Výstraha
	Používajte chrániče sluchu
	Používajte ochranu očí
	Používajte protiprachovú masku
	Používajte ochranné rukavice.
	Uistite sa, že pred výmenou príslušenstva je nástroj odpojený.
	Elektrické výrobky sa nesmú likvidovať spolu s domácim odpadom. Recyklujte v zberných miestach na tento účel zriadených. O možnosti recyklácie sa informujte na miestnych úradoch alebo u predajcu.

DOBŘÉ RADY NA PRÁCU S UHLOVOU BRÚSKOU

1. Brúsku vždy zapínajte na voľnobeh, aby pred prácou dosiahla maximálne otáčky.
2. Nesnažte sa brúsnym výkonom zvýšiť väčším prítlakom na brúsný kotúč, výsledkom sú znížené otáčky a dlhšie časy opracovania.
3. Pri práci vždy dodržiavajte 15- až 30-stupňový uhol medzi brúsnym kotúčom a povrchom materiálu. Ak je uhol väčší, kotúč vyrobí ryhy do povrchu a zhorší jeho úpravu. Brúsku vedte cez materiál cik-cak pohybmi.
4. Ak používate rezný kotúč, nikdy nemeňte rezný uhol, inak sa zasekne kotúč a zastaví motor, prípadne praskne brúsný kotúč. Pri rezaní režeť v opačnom smere, ako je otáčanie rezného kotúča. Ak by ste rezali v rovnakom smere, akým sa otáča rezný kotúč, kotúč sa môže sám vytrhnúť z reznej drážky.
5. Pri rezaní veľmi tvrdých materiálov sa najlepšie výsledky dosahujú diamantovým kotúčom.
6. Diamantový kotúč sa pri rezaní silno zahreje. Ak k tomu dôjde a iskry bude vidieť po celom obvode kotúča, rezanie zastavte a nechajte náradie ochladíť voľnobehom počas 2 – 3 minút.
7. Opracovávaný kus pevne uchyťte, aby sa počas práce nepohol.

ÚDRŽBA

Pred vykonaním akéhokoľvek nastavovania, opráv a údržby odpojte brúsku od siete.

Vaše náradie si nevyžaduje žiadne dodatočné mazanie ani údržbu.

Vaše náradie si nevyžaduje žiadny servisný zásah. Svoje náradie nikdy nečistíte vodou alebo chemickými čistiacimi prostriedkami. Vytrite ho suchou handrou. Náradie ukladajte na suchom mieste. Vetracie otvory motora udržiavajte čisté. Ovládacie prvky zbavujte prachu. Cez vetracie štrbiny občas možno vidieť iskrenie komutátora. Je to normálny stav a nepoškodzuje to vaše náradie. Ak dôjde k poškodeniu napájajúcej šnúry, nechajte ju bezpečne vymeniť u výrobcu, v servise alebo inou príslušne kvalifikovanou osobou.

ODSTRÁŇOVANIE PROBLÉMOV

Aj keď je ovládanie vašej novej uhlovej rozbrusovačky skutočne veľmi jednoduché, keď sa vyskytnú problémy, urobte nasledujúce kontrolné činnosti:

1. Ak brúska nebude fungovať, na hlavnej zástrčke skontrolujte napätie elektrického prúdu.
2. Ak sa brúsný kotúč chveje alebo vibruje, skontrolujte, či je vonkajšia príruha utiahnutá; skontrolujte, či je

brúsne koleso správne umiestnené na príruhe.

3. Ak existuje nejaký dôkaz, že brúsný kotúč je poškodený, nepoužívajte ho, pretože poškodený kotúč sa môže rozpadnúť. Vyberte ho a vymeňte za nový brúsný kotúč. Staré brúsne kotúče likvidujte racionálnym spôsobom.
4. Ak pracuje s hliníkom alebo podobnou mäkkou zliatinou, brúsný kotúč sa skoro zanesie a brúsenie bude neúčinné.

OCHRANA ŽIVOTNÉHO PROSTREDIA



Elektrické výrobky sa nesmú likvidovať spolu s domácim odpadom. Recyklujte v zberných miestach na tento účel zriadených. O možnosti recyklácie sa informujte na miestnych úradoch alebo u predajcu.

VYHLÁSENIE O ZHODE

My,
POSITEC Germany GmbH
Konrad-Adenauer-Ufer 37
50668 Köln

Vyhlasujeme, že tento výrobok:

Popis **Uhlová brúska WORX**

Typ **WX710 WX711 WX712 (700-749 - označenie zariadenia, zástupca Uhlová brúska)**

Funkcie **Okrajové a pozdĺžne brúsenie**

Zodpovedá nasledujúcim smerniciam:

2006/42/EC, 2004/108/EC, 2011/65/EU

Spĺňa posudzované normy:

EN 55014-1

EN 55014-2

EN 61000-3-2

EN 61000-3-3

EN 60745-1

EN 60745-2-3

Osoba oprávnená za zostavenie technického súboru:

Názov: Russell Nicholson

Adresa: Positec Power Tools (Europe)Ltd, PO Box 152,Leeds,LS10 9DS,UK



Suzhou 2015/06/30

Allen Ding

Zástupca vrchnej konštruktívnej kancelárie,

Testovanie & Certifikácia

1. BOTÃO DE BLOQUEIO DO VEIO
2. INTERRUPTOR ON/OFF (LIGAR/DESLIGAR)
3. PEGA ANTI-VIBRAÇÕES
4. CHAVE DE PORCAS
5. FLANGE INTERIOR
6. FLANGE EXTERIOR
7. PORCA DE AJUSTE DA FIXAÇÃO
8. EIXO
9. PROTECÇÃO DA ALAVANCA DE FIXAÇÃO
10. CAPA DE PROTECÇÃO PARA REBARBAR
11. DISCO*
12. CAPA DE PROTECÇÃO PARA CORTAR*


* Acessórios ilustrados ou descritos não estão totalmente abrangidos no fornecimento.

DADOS TÉCNICOS

Tipo **WX710 WX711 WX712 (700-749 - designação de aparelho mecânico, representativo de Rebarbadora)**

	WX710	WX711	WX712
Tensão nominal	220-240V~50/60Hz		
Potência Nominal	860W	750W	860W
Velocidade nominal sem carga	12,000/min		
Tamanho do risco	100mm	115mm	125mm
Furo do disco	16mm	22.2mm	22.2mm
Rosca do eixo	M10	M14	M14
Isolamento duplo	<input type="checkbox"/> /II		
Peso da máquina	2.0 kg		

INFORMAÇÃO DE RUÍDO

	WX710	WX711 WX712
Pressão de som avaliada	L_{pA} : 92.7dB(A)	L_{pA} : 89.7dB(A)
Potência de som avaliada	L_{wA} : 103.7dB(A)	L_{wA} : 100.7dB(A)
K_{pA} & K_{wA}	3.0dB(A)	
Use protecção de ouvidos quando a pressão for superior a	80dB(A) 	

INFORMAÇÃO DE VIBRAÇÃO

		WX710	WX711 WX712
Os valores totais de vibração são determinados de acordo com a normativa EN60745			
Vibração característica ponderada	Valor da emissão da vibração (para pega principal)	$a_h = 4,071\text{m/s}^2$	$a_h = 5,124\text{m/s}^2$
	Valor da emissão da vibração (para pega auxiliar)	$a_h = 4,557\text{m/s}^2$	$a_h = 9,136\text{m/s}^2$
	Instabilidade $K = 1.5\text{m/s}^2$		

O valor total declarado da vibração poderá ser utilizado para comparar uma ferramenta com outra e poderá também ser utilizado numa avaliação preliminar de exposição.

! **AVISO:** Os valores de emissão de vibração durante a utilização da ferramenta podem divergir dos valores declarados, dependendo da forma como a ferramenta é utilizada, dependendo dos exemplos seguintes e de outros modos de utilização:

O modo como a ferramenta é utilizada, os materiais a cortar.

A ferramenta estar em boas condições e bem conservada.

A utilização do acessório correcto para a ferramenta e a garantia de que está afiada e em boas condições.

A firmeza com que se segura nas pegas e se quaisquer acessórios vibratórios são utilizados

Se a ferramenta é utilizada para o objectivo para a qual foi concebida e segundo as instruções.

Esta ferramenta pode causar síndrome de vibração mão-braço, se não for adequadamente utilizada.

! **AVISO:** Para ser preciso, uma estimativa do nível de exposição nas condições actuais de utilização devem ter em conta todas as partes do ciclo de operação, como tempos em que a ferramenta está desligada e quando está em funcionamento, mas inactiva, ou seja, não realizando o seu trabalho. Isto poderá reduzir significativamente o nível de exposição durante o período total de trabalho.

Como minimizar o seu risco de exposição à vibração.

Mantenha esta ferramenta de acordo com as instruções e bem lubrificada (quando aplicável)

Se a ferramenta for utilizada regularmente, invista em acessórios anti-vibração.

Evite utilizar ferramentas a temperaturas de 10°C ou inferior.

Planeie o seu horário de trabalho de forma a distribuir a utilização de ferramentas de alta vibração ao longo de vários dias.

ACESSÓRIOS

	WX710	WX711	WX712
Chave de porcas		1	
Disco de afiar de metal		1	
Pega auxiliar	1	1	/
Pega anti-vibrações	/	/	1

Recomendamos-lhe que compre todos os acessórios no fornecedor onde adquiriu a ferramenta. Utilize acessórios de boa qualidade e de uma marca conhecida. Para mais informações, consulte as Sugestões de Trabalho neste manual ou a embalagem de acessórios. O pessoal do fornecedor também pode ajudar e aconselhar.

NORMAS DE SEGURANÇA ADICIONAIS PARA A SUA REBARBADORA ANGULAR

AVISOS DE SEGURANÇA COMUNS PARA REBARBAR OU CORTAR COM FERRAMENTA ABRASIVA:

a) Esta ferramenta eléctrica destina-se a funcionar como uma afiadora, ou ferramenta de corte. Leia todos os avisos de segurança, instruções, ilustrações e especificações fornecidas com esta ferramenta eléctrica.

O não seguimento de todas as instruções listadas em baixo pode resultar em choque eléctrico, dar origem a um incêndio e/ou a ferimentos graves.

b) Não recomendamos a realização do seguinte tipo de operações com esta ferramenta eléctrica: lixar, escovar escova metálica, ou polir. A utilização desta ferramenta na realização de tarefas para as quais a mesma não foi concebida é perigosa e pode causar ferimentos pessoais

c) Não utilize acessórios que não tenham sido especificamente concebidos e recomendados pelo fabricante. O facto de um qualquer acessório poder ser colocado na sua ferramenta eléctrica não garante um funcionamento seguro por parte deste.

d) A velocidade do acessório deve corresponder, pelo menos, à velocidade máxima assinalada na ferramenta eléctrica. A utilização de acessórios a uma velocidade superior àquela para a qual estes foram concebidos pode levar à desintegração dos mesmos.

e) O diâmetro exterior e a espessura do acessório deve corresponder à capacidade da sua ferramenta eléctrica. A utilização de acessórios de tamanho não adequado não permite um correcto controlo ou protecção dos mesmos.

f) A rosca dos acessórios deve ser coincidir com a rosca do eixo da rebarbadora. Para acessórios montados em pratos, o orifício do acessório deve encaixar no diâmetro do prato. Os acessórios com orifícios para encaixar que não correspondam aos orifícios existentes na ferramenta eléctrica ficarão desequilibrados, podem vibrar excessivamente e causar a perda de controlo da ferramenta.

g) Não utilize acessórios que estejam danificados. Antes de cada utilização, verifique o acessório. Os discos abrasivos devem ser verificados para ver se apresentam falhas ou rachas, os suportes devem ser verificados para ver se apresentam falhas ou sinais de desgaste excessivo, farpas, fios soltos ou quebrados. Se deixar cair a ferramenta eléctrica ou o acessório, determine se houve danos ou instale um acessório que não esteja danificado. Após a inspecção e instalação de um acessório posicione-se, juntamente com quaisquer outras pessoas, afastado da linha de rotação do acessório e ponha a ferramenta eléctrica a funcionar

à velocidade máxima sem carga durante um minuto. Os acessórios que estejam danificados quebram-se geralmente durante este período de teste.

- h) **Utilize equipamento de protecção.** Dependendo da tarefa a realizar, utilize uma máscara ou óculos de protecção. Se necessário, use uma máscara contra o pó, tampões para os ouvidos, luvas e um avental forte capaz de o proteger contra partículas abrasivas pequenas ou outros fragmentos. O equipamento de protecção ocular deve ter capacidade para apanhar os detritos resultantes dos vários tipos de tarefas realizadas. A máscara contra o pó ou o filtro deve ser capaz de filtrar as partículas resultantes da tarefa que estiver a executar. Uma exposição prolongada a ruídos de grande intensidade pode causar perda de audição.
- i) **Mantenha todas as outras pessoas a uma distância segura da área de trabalho. Qualquer pessoa que entre na área de trabalho deve usar equipamento de protecção pessoal.** Os fragmentos resultantes da peça em que está a trabalhar ou de um acessório que se tenha partido podem atingir alguém e causar ferimentos nas pessoas que se encontrem nas imediações da área de trabalho.
- j) **Ao realizar uma tarefa em que o acessório de corte possa entrar em contacto com fios eléctricos que estejam ocultos ou com o próprio cabo de alimentação, segure na ferramenta eléctrica usando apenas as superfícies próprias para o efeito.** O acessório de corte pode entrar em contacto com um fio eléctrico vivo o que por sua vez pode fazer com que as partes metálicas da ferramenta fiquem electrificadas e fazer com que o utilizador desta sofra um choque eléctrico.
- k) **Posicione o cabo de forma a que este fique afastado do acessório em rotação.** Se perder o controlo da ferramenta, o cabo pode ser cortado ou puxado e a mão ou braço do utilizador ser puxado na direcção do acessório em rotação.
- l) **Nunca pouse a ferramenta eléctrica até o acessório que estava a usar ter parado completamente.** Este pode entrar em contacto com a superfície sobre a qual colocou a ferramenta e fazer com que esta fique fora do seu controlo.
- m) **Não transporte a ferramenta ao lado do seu corpo quando esta estiver a funcionar.** O contacto accidental com o acessório em rotação pode prender a sua roupa e puxar o acessório na direcção do seu corpo.
- n) **Limpe regularmente as ranhuras de ventilação da sua ferramenta eléctrica.** A ventoinha do motor puxa pó para o interior da ferramenta e uma acumulação excessiva de pó metálico pode dar origem a choques eléctricos.
- o) **Não utilize esta ferramenta eléctrica próximo de materiais inflamáveis.** Estes podem incendiar-se se entrarem em contacto com quaisquer faíscas.
- p) **Não use acessórios que necessitem de refrigerantes líquidos.** A utilização de água ou de outros refrigerantes líquidos pode dar origem a

choques eléctricos

- q) A sua mão deverá segurar a pega durante o trabalho. Utilize sempre as pegas auxiliares fornecidas com a ferramenta. A perda de controlo poderá causar ferimentos pessoais.

INSTRUÇÕES ADICIONAIS DE SEGURANÇA PARA TODAS AS OPERAÇÕES

Ação de retorno e outros avisos relacionados

A acção de retorno ocorre quando o disco, o suporte, a escova ou qualquer outro acessório rotativo fica preso ou é puxado repentinamente. Isto faz com que o acessório rotativo pare repentinamente, o que por sua vez força a ferramenta eléctrica na direcção oposta à da linha de rotação do acessório no ponto de aperto.

Por exemplo, se um disco abrasivo for puxado ou ficar preso na peça em que está a trabalhar a extremidade do disco que se encontra introduzida no ponto de aperto pode penetrar ainda mais no material provocando a acção de retorno. Dependendo da direcção de rotação do disco, este pode saltar na direcção do utilizador ou na direcção oposta. Nesta situação, os discos abrasivos podem também quebrar.

A acção de retorno resulta de uma utilização indevida e/ou incorrecta e pode ser evitada tomando as precauções descritas a seguir.

- a) Segure firmemente na ferramenta eléctrica e posicione o seu corpo e braço de forma a resistir a qualquer acção de retorno. Utilize sempre a pega auxiliar, se esta existir, para ter um maior controlo sobre a ferramenta em caso de retorno desta durante o arranque.** O utilizador será capaz de controlar a acção de retorno se tomar as devidas precauções.
- b) Nunca coloque as mãos próximo do acessório rotativo.** Este pode atingir as suas mãos.
- c) Não posicione o corpo de forma a que este seja atingido em caso de retorno da ferramenta.** A acção de retorno faz com que a ferramenta se mova na direcção oposta à do disco no ponto de aperto.
- d) Tenha especial cuidado ao trabalhar em esquinas, arestas afiadas, etc. Evite qualquer ressalto ou prendimento do acessório.** A utilização da ferramenta em esquinas, arestas afiadas ou o ressalto desta pode fazer com que o acessório rotativo seja puxado e leve à perda de controlo ou ao retorno da ferramenta eléctrica.
- e) Não ligue uma lâmina de entalhe de corrente da serra, nem uma lâmina de serra dentada.** Este tipo de lâminas cria um retorno frequente e perda de controlo.

INSTRUÇÕES ADICIONAIS DE SEGURANÇA PARA AS OPERAÇÕES DE AFIAMENTO E CORTE

Avisos de segurança específicos para as operações de rectificação e de corte:

- a) Utilize apenas os tipos de discos recomendados para a sua ferramenta eléctrica e a guarda específica concebida para o disco em questão.** A utilização de discos não apropriados para uma determinada

ferramenta eléctrica faz com que estes não possam ser devidamente protegidos e não são seguros.

- b) Os discos com centro côncavo devem ser montados abaixo do nível da pala de protecção.** Um disco montado de forma inadequada que esteja projectado além da pala de protecção não poderá ser protegido adequadamente.
- c) A guarda deve ser correctamente colocada na ferramenta eléctrica e posicionada de forma a garantir uma máxima segurança e também que a parte do disco que fica exposta seja o menor possível.** A guarda ajuda a proteger o utilizador contra fragmentos de disco partidos e contra o contacto accidental com este.
- d) Os discos devem ser utilizados apenas para as situações para que foram concebidos. Por exemplo: não utilize o disco de corte para rectificar um objecto.** Os discos de corte abrasivos destinam-se apenas às operações de rectificação periférica. Se submeter estes discos a quaisquer forças laterais os mesmos podem desintegrar-se.
- e) Utilize sempre falanges não danificadas e com o tamanho e a forma correctos para o disco seleccionado.** A utilização de falanges apropriadas para o disco que pretende utilizar reduz a possibilidade de quebra deste. As falanges para os discos de corte podem ser diferentes das falanges para os discos de rectificação.
- f) Não utilize discos desgastados e concebidos para utilização com ferramentas eléctricas de maior potência.** Os discos concebidos para serem usados com ferramentas eléctricas maiores não são próprios para serem utilizados à velocidade máxima das ferramentas menores e podem partir-se.

INSTRUÇÕES ADICIONAIS DE SEGURANÇA PARA AS OPERAÇÕES DE CORTE

Avisos de segurança específicos para as operações de corte com discos abrasivos:

- a) Não “prenda” ou aplique força excessiva sobre o disco de corte. Não tente fazer um corte muito fundo.** Se exercer uma pressão excessiva sobre o disco estará a aumentar a carga sobre este o que aumenta a possibilidade de deformação ou de prendimento do disco no corte e a possibilidade de retorno ou de quebra do mesmo.
- b) Não posicione o seu corpo na direcção do disco de corte ou por detrás deste.** Quando o disco estiver a funcionar e a rodar na direcção oposta à do seu corpo, a acção de retorno pode fazer com que o disco e a ferramenta eléctrica se virem na sua direcção.
- c) Quando o disco ficar preso, ou sempre que interromper a operação de corte por qualquer motivo, desligue a ferramenta eléctrica e continue a segurar nesta até o disco parar completamente.** Nunca tente remover o disco do corte com o disco ainda em movimento. Se o fizer, tal pode dar origem ao retorno da ferramenta eléctrica. Se o disco prender, tente determinar a causa e tome as devidas medidas para pôr o disco a funcionar normalmente.

- d) **Não retome a operação de corte. Deixe que o disco atinja a sua velocidade máxima e depois introduza-o cuidadosamente no corte.** Se puser o disco a funcionar com este encaixado no corte, o mesmo pode ficar preso ou tal pode dar origem à acção de retorno por parte do disco.
- e) **Apoie sempre a peça em que está a trabalhar ou qualquer peça de grandes dimensões para evitar o prendimento ou retorno do disco. As peças de grandes dimensões têm tendência para vergar sob o seu próprio peso.** Coloque suportes por baixo da peça em que está a trabalhar próximo da linha de corte e perto da extremidade da peça de ambos os lados do risco.
- f) **Tenha especial cuidado ao abrir “buracos” em paredes existentes ou outras áreas do género.** O disco pode cortar tubos de gás ou canos de água, os cabos eléctricos ou outros objectos e tal pode dar origem ao retorno da ferramenta.

SÍMBOLOS

	Para reduzir o risco de ferimentos o utilizador deve ler o manual de instruções
	Classe de protecção
	Aviso
	Usar protecção para os ouvidos
	Usar protecção ocular
	Usar máscara contra o pó
	Usar luvas de protecção
	Certifique-se de que a ferramenta está desligada da tomada antes de substituir acessórios.
	Os equipamentos eléctricos não devem ser depositados com o lixo doméstico. Se existirem instalações adequadas deve reciclá-los. Consulte a sua autoridade local para tratamento de lixos ou fornecedor para obter aconselhamento sobre reciclagem.

INSTRUÇÕES DE FUNCIONAMENTO




NOTA: Antes de utilizar a ferramenta, leia atentamente o livro de instruções.

UTILIZAÇÃO DE ACORDO COM AS DISPOSIÇÕES

O aparelho é determinado para cortar, desbastar e escovar materiais de metal e de pedra, sem utilizar água. Para cortar metais é necessário utilizar uma capa de protecção especial para cortes (acessório).

MONTAGEM E FUNCIONAMENTO

Ação	Figura
MONTAGEM	
Montagem handle auxiliar	Ver A
Encaixe dos discos	Ver B1, B2, B3
Ajuste da protecção Nota: Tirar a ficha da tomada antes de todos os trabalhos no aparelho. Para trabalhos com discos de desbastar ou de cortar, é necessário que a capa de protecção esteja montada. O ressalto de codificação na capa de protecção (10) assegura, que apenas uma capa de protecção corresponda à um respectivo tipo de aparelho. Abrir a alavanca de aperto (9). Colocar a capa de protecção (10) com o ressalto de codificação na ranhura de codificação que se encontra na gola do veio do cabeçote do aparelho e girar até a posição necessária (posição de trabalho). Para fixar a capa de protecção (10), é necessário fechar a alavanca de aperto (9). Ajustar a capa de protecção (10) de modo a evitar que voem faúlhas na direcção do operador.	Ver C
FUNCIONAMENTO	
Ligar à alimentação eléctrica	Ver D
Utilizar o interruptor Ligar/Desligar	Ver E
Áreas das pegas manuais	Ver F
Desbaste  AVISO! Nunca utilize um disco de corte para desbaste.	
Cortar	Ver G

DICAS DE USO PARA A SUA FERRAMENTA

1. Comece sempre sem carga para atingir a velocidade máxima e só depois inicie o trabalho.
2. Não force o disco para trabalhar mais depressa, reduzindo a velocidade de rotação do disco significa uma vida mais longa de trabalho.
3. Trabalhe sempre com um ângulo 15-30 entre o disco e a peça de trabalho. Quando rebarbar, os ângulos de grandes dimensões cortarão as arestas da peça de trabalho e afectarão o acabamento da superfície. Desloque a rebarbadora angular para os lados, para trás e para a frente da peça de trabalho.
4. Quando utilizar um disco de corte nunca altere o ângulo de corte, caso contrário pode parar o disco, o motor da rebarbadora angular ou partir o disco. Quando cortar, corte apenas na direcção oposta à rotação do disco. Se cortar na mesma direcção de rotação do disco pode fazê-lo saltar da ranhura de corte.
5. Quando cortar material muito duro pode obter melhores resultados se utilizar um disco de diamante.
6. Quando utilizar um disco de diamante, este pode ficar muito quente. Se isto acontecer, verá aparecer anéis de faíscas em volta do disco rotativo. Interrompa o corte e deixe arrefecer sem carga durante 2-3 minutos.
7. Assegure-se sempre de que a peça de trabalho está bem fixa ou presa para impedir qualquer movimento.

MANUTENÇÃO

Retire o cabo de alimentação da tomada antes de efectuar quaisquer ajustamentos, reparações ou manutenção.

A sua ferramenta não requer qualquer lubrificação ou manutenção adicional.

A ferramenta, o conjunto de baterias e o carregador não têm peças susceptíveis de ser substituídas pelo utilizador. Nunca utilize água ou produtos químicos para limpar a sua ferramenta. Limpe-a com um pano macio. Guarde sempre a sua ferramenta num local seco. Mantenha as ranhuras de ventilação do motor devidamente limpas. Se observar a ocorrência de faíscas nas ranhuras de ventilação, isso é normal e não danificará a sua ferramenta.

Se o cabo de alimentação estiver danificado, este deve ser substituído pelo fabricante, seu agente autorizado ou pessoal técnico qualificado para evitar qualquer situação de perigo.

RESOLUÇÃO DE PROBLEMAS

Embora a sua nova afiadora angular seja de fácil utilização, se tiver algum problema, verifique o seguinte:

1. Se a sua afiadora não funcionar, verifique a fonte de alimentação na ficha principal.

2. Se a roda da sua afiadora tremer ou vibrar, verifique se a flange exterior está apertada e se a roda está correctamente situada na base da flange.
3. Se houver algum vestígio de que a roda está danificada, não utilize, pois a roda danificada pode desintegrar-se. Remova-a e substitua-a por uma nova roda. Descarte adequadamente as rodas velhas.
4. Se estiver a trabalhar sobre alumínio ou uma liga suave e similar, a roda rapidamente ficará entupida e deixará de afiar com eficácia.

PROTECÇÃO AMBIENTAL



Os equipamentos eléctricos não devem ser eliminados com o lixo doméstico. Se existirem instalações adequadas deve reciclá-los. Consulte a sua autoridade local para tratamento de lixos ou fornecedor para obter aconselhamento sobre reciclagem.

DECLARAÇÃO DE CONFORMIDADE

Nós,
POSITEC Germany GmbH
Konrad-Adenauer-Ufer 37
50668 Köln

Declaramos que o produto,
Descrição **WORX Rebarbadora**
Tipo **WX710 WX711 WX712 (700-749**
- designação de aparelho mecânico,
representativo de Rebarbadora)
Função **Rebarbamento periférico e lateral**

Cumpra as seguintes Directivas:
2006/42/EC, 2004/108/EC, 2011/65/EU

Normas em conformidade com:
EN 55014-1 **EN 55014-2**
EN 61000-3-2 **EN 61000-3-3**
EN 60745-1 **EN 60745-2-3**

Pessoa autorizada a compilar o ficheiro técnico,
Nome Russell Nicholson
Morada Positec Power Tools (Europe)Ltd, PO
Box 152,Leeds,LS10 9DS,UK



Suzhou 2015/06/30
Allen Ding
Engenheiro-chefe adjunto, Teste e Certificação

1. SPINDELLÅSKNAPP
2. PÅ-AV-KONTAKT
3. LÅGVIBRATIONSHANDTAG
4. SKRUVNYCKEL
5. INRE FLÄNS
6. YTTRE FLÄNS
7. JUSTERMUTTER FÖR FASTKLÄMNING
8. SPINDEL
9. SKYDDSSPAK FÖR FASTKLÄMNING
10. SPRÅNGSKYDD FÖR PLANSLIPNING
11. SKIVA*
12. SPRÅNGSKYDD FÖR KAPNING*


* Avbildat eller beskrivet tillbehör ingår delvis inte i leveransomfånget.

TEKNISK INFORMATION

Typ **WX710 WX711 WX712 (700-749 - maskinbeteckning, anger Vinkelslip)**

80	WX710	WX711	WX712
Spänning	220-240V~50/60Hz		
Effekt	860W	750W	860W
Märkvarvtal	12,000/min		
Skivans storlek	100mm	115mm	125mm
Skivhål	16mm	22.2mm	22.2mm
Spindeltråd	M10	M14	M14
Skyddsklass	□ //		
Maskinens vikt	2.0 kg		


BULLERINFORMATION

	WX710	WX711 WX712
Ett uppmätt ljudtryck	L_{pA} : 92.7dB(A)	L_{pA} : 89.7dB(A)
En uppmätt ljudstyrka	L_{WA} : 103.7dB(A)	L_{WA} : 100.7dB(A)
K_{pA} & K_{WA}	3.0dB(A)	
Använd hörselskydd när ljudtrycket är över	80dB(A) 	

VIBRATIONSINFORMATION

		WX710	WX711 WX712
Vibration totala värden fastställda enligt EN60745:			
Typisk uppmätt vibrering	Vibrationsutsändningsvärde (huvudhandtag)	$a_h = 4,071\text{m/s}^2$	$a_h = 5,124\text{m/s}^2$
	Vibrationsutsändningsvärde (hjälp-handtag)	$a_h = 4,557\text{m/s}^2$	$a_h = 9,136\text{m/s}^2$
	Osäkerhet K = 1.5m/s ²		

Det angivna totala vibrationsvärdet kan användas för att jämföra olika verktyg med varandra samt vid en preliminär exponeringsutvärdering.

 **WARNING:** Vibrationsvärde vid verklig användning av maskinverktyget kan skilja sig åt från det deklarerade värdet beroende på hur verktyget används och beroende på följande exempel och andra variationer om hur verktyget används:

Hur verktyget används och materialet som skärs.


Verktyget är i bra skick och bra underhållet.

Användning av korrekt tillbehör för verktyget och säkerställ att de är skarpa och i bra skick.

Åtdragningsgraden av greppet på handtaget och om några antivibrationsstillbehör används.

Och att verktyget används såsom avsett enligt dess konstruktion och dessa instruktioner.

Detta verktyg kan orsaka hand-arm vibrationssyndrom om det används på felaktigt sätt

 **WARNING:** För att vara korrekt bör en beräkning av exponeringsnivån under verkliga förhållanden vid användning också tas med för alla delar av hanteringscykeln såsom tiden när verktyget är avstängt och när det körs på tomgång utan att utföra något arbete. Detta kan betydligt minska exponeringsnivån över den totala arbetsperioden.

Hjälp för att minimera risken för vibrationsexponering.

Underhåll verktyget i enlighet med dessa instruktioner och håll det välsmort (där så behövs)

Om verktyget ska användas regelbundet, investera i antivibrationsstillbehör.

Undvik att använda verktygen i temperaturer på 10°C eller lägre

Planera ditt arbetsschema för att sprida ut användning av kraftigt vibrerande verktyg över flera dagar.

TILLBEHÖR

	WX710	WX711	WX712
Skruvnyckel		1	
Slipskiva för metall		1	
Hjälp-handtag	1	1	/
låg vibrationshandtag	/	/	1

Vi rekommenderar att du köper alla dina tillbehör från samma affär där du köpte verktyget. Använd bra kvalitetstillbehör av ett välkänt märke. Se avsnittet med arbetstips i denna bruksanvisning eller tillbehörets förpackning för mer information. Affärspersonalen kan också hjälpa dig och ge dig råd.

YTTERLIGARE SÄKERHETSPUNKTER FÖR DIN VINKELSLIP

VANLIGT FÖREKOMMANDE SÄKERHETSVARNINGAR FÖR PLANSLIPNING ELLER VINKELSLIPNING:

- a) **Det här elverktyget är avsett att fungera som en planslipmaskin, eller vinkelslip. Läs alla säkerhetsvarningar, instruktioner, illustrationer och specifikationer som medföljer elverktyget.** Om du inte följer anvisningarna som står listade nedan kan det resultera i elektrisk stöt, brand och/eller allvarlig skada.
- b) **Bruk som t ex trådborstning, eller polering rekommenderas inte att utföras med det här verktyget.** Användning som det här verktyget inte utformades för kan vara farligt och orsaka personskador.
- c) **Avstå från att använda tillbehör som inte särskilt har utformats och rekommenderats av verktygstillverkaren,** Bara därför att tillbehöret kan fästas på verktyget innebär inte det att det går att använda på ett säkert sätt.
- d) **Hastigheten på tillbehöret måste vara minst lika med den maximala hastigheten som står angivet på verktyget,** Tillbehör som går fortare än dess uppskattade hastighet kan gå sönder.
- e) **Utesidesdiametern och tjockleken på tillbehöret måste hållas inom kapaciteten för ditt verktyg.** Inkorrekt storlek på tillbehör kan inte övervakas eller kontrolleras på ett riktigt sätt.
- f) **Den omkringliggande storleken på hjul, lister, packningar och andra tillbehör måste passa till verktygets spindel.** Tillbehör med omgivande häl som inte matchar monteringshårdvaran till verktyget kommer att tappa balansen, vibrera oerhört och kan orsaka att du tappar kontrollen.
- g) **Använd inte ett skadat tillbehör. Innan varje användning ska du kontrollera tillbehöret, som sliphjul efter flisor och sprickor, packningar efter sprickor, slitage eller hög användning. Om verktyget eller något tillbehör tappas ska du kontrollera om det har skadats eller byta ut mot oskadat tillbehör.** Efter kontroll och utbyte av tillbehör ska du placera dig själv och andra deltagare borta från planet med det roterande tillbehöret, och köra verktyget på maximal hastighet utan belastning under en minut. Skadade tillbehör går vanligtvis sönder efter den här testtiden.

- h) **Bär skyddsutrustning. Beroende på tillbehör ska du använda ansiktsskydd, säkerhetsglas eller skyddsglasögon. Om det lämpar sig ska du bära dammask, hörselskydd, handskar och förkläde som stoppar små fragment från slip eller arbetsdel.** Ögonskydd måste kunna stoppa flygande flisor som kommer från olika sorters användning. Dammasken eller andningsmasken måste kunna filtrera partiklar som kommer från användningen. Långvarig utsättning för högt, intensivt ljud kan orsaka hörselnedsättning.
- i) **Håll betraktare på säkert avstånd från arbetsområdet. Alla som kommer in på arbetsområdet måste bära skyddsutrustning.** Fragment från arbetsdelar eller trasiga tillbehör kan flyga bort och orsaka skada utanför arbetsområdet.
- j) **Håll endast verktyget i de isolerade greppytorna. När du utför en handling då det föreligger risk för att skärtillbehör kan komma i kontakt med trädar kan du gömma sladdarna.** Skärtillbehör som kommer i kontakt med en "levande" sladda kan orsaka att exponerade metalldelar till verktyghet ger användaren en stöt.
- k) **Placera sladden på annat ställe än det snurrande tillbehöret.** Om du förlorar kontrollen kan sladden skäras av eller nötas, och din arm kan dras med in i det snurrande tillbehöret.
- l) **Lägg aldrig ner verktyget förrän tillbehöret har stannat helt och hållet.** Det snurrande tillbehöret kan ta tag i ytan och dra iväg med verktyget, bortom din kontroll.
- m) **Ha inte verktyget på när du bär det vid sidan.** Kontakt som av en olyckshändelse med det snurrande tillbehöret kan riva tag i dina kläder och dra in tillbehöret i din kropp.
- n) **Rengör regelbundet verktygets luftventiler.** Motorns fläkt kommer att dra in damm inuti huset och hög ansamling av metallpulver kan orsaka elektrisk fara.
- o) **Använd inte verktyget i närheten av brandfarliga material.** Gnistor kan antända de materialen.
- p) **Använd inte tillbehör som kräver flytande kylvätska.** Användning av vatten eller annan vätska kan resultera i dödlig elektrisk stöt eller kortslutning.
- q) **Din hand måste hålla i handtaget när du arbetar.** Använd alltid hjälphandtaget som medföljer verktyget. Tappad kontroll kan medföra personskador.

EXTRA SÄKERHETSINSTRUKTIONER FÖR ALL DRIFT

Kickback och relaterade varningar

Kickback är en plötslig reaktion på ett klämt eller rivet roterande hjul, packning, borste eller annat tillbehör.

Nypning eller rivning orsakar snabbt stopp av det roterande tillbehöret som i sin tur orsakar verktyget utom kontroll att tvingas i motsatt riktning från tillbehörets rotation vid bindningspunkten.

T ex, om ett sliphjul rivs eller nypas fast av arbetsdelen kommer kanten på hjulet som går in i tillnypningspunkten att gräva ner u materialets yta och göra så att hjulet klättrar ut eller kickar ut. Hjulet kan antingen hoppa mot eller bort ifrån användaren, beroende på riktningen på hjulets rörelse vid nypunkten. Sliphjul kan också gå sönder under sådana förhållanden.

Kickback rå resultatet när verktyget inte används som det ska och/eller under inkorrekt användningsförhållanden, och kan undvikas genom att verktyget tas omhand enligt riktlinjerna ovan.

a) Behåll ett fast grepp om verktyget och placera din kropp och din arm så att du kan hålla emot kickbackkrafter. Använd alltid hjälphanntag om det medföljer för maximal kontroll över kickback eller vridmomentsreaktioner under uppstart.

Användaren kan kontrollera vridmomentsreaktioner eller kickbackkrafter om ordentliga säkerhetsåtgärder tas.

b) Placera aldrig din hand i närheten av det roterande tillbehöret. Tillbehöret kan kicka tillbaka över din hand.

c) Placera inte din kropp i området där verktyget kan flyttas om kickback inträffar

Kickback kan snurra verktyget i motsatt riktning mot hjulets rörelse vid rivpunkten.

d) Vidta särskild försiktighet när du arbetar med hörn, vassa kanter etc, och undvik att studsas på och riva i tillbehöret. Hörn, vassa kanter eller studsar har en tendens att riva i det roterande tillbehöret och kan ge upphov till att kontrollen förloras eller att man får en kickback.

e) Montera inte en sågkedja, sågblad för träsnideri, eller tandat sågblad. Sådana blad skapar ofta bakslag och kontrollförlust.

EXTRA SÄKERHETSINSTRUKTIONER FÖR GROVSLIPNING OCH VINKELSLIPNING

Säkerhetsföreskrifter särskilt för Malnings- och slipavsägningshandlingar:

a) Använd bara hjul typer som rekommenderas för ditt verktyg och det särskilda skydd som är utformat för det utvalda hjulet. Hjul som inte verktyget är utformat för kan inte skyddas på ett lämpligt sätt och är inte säkra.

b) Skalade slipskivor måste monteras

sa att skivans slipyta inte skjuter ut över sprangskyddskantens plan. En felaktigt monterad slipskiva som skjuter ut över sprangskyddets plan kan inte smörjas i tillräcklig grad.

c) Skyddet måste vara ordentligt fastsatt i verktyget och placeras för maximal säkerhet så att minsta möjliga del av hjulet exponeras mot användaren.

Sprangskyddet ska skydda användaren mot brottstycken, tillfällig kontakt med slipkroppen samt gnistor som kan antända kläderna.

d) Hjul får endast användas för rekommenderade applikationer. T ex:

slipa inte med sidan på avsägningshjulet Slipande avsägningshjul är avsedda för kringslipning, sidokrafter som tillämpas på de här hjulen kan orsaka att de går sönder.

e) Använd alltid oskada hjulluster i korrekt storlek och form för det hjul du använder.

Riktiga hjulluster stödjer hjulet som minskar på så vis risken att hjulet går sönder Lister för avsägningshjul kan se annorlunda ut från sliphjullister.

f) Använd inte nedslitna hjul från större verktyg. Hjul som är avsedda för större verktyg passar inte för den högre hastigheten hos mindre verktyg och kan brista.

EXTRA SÄKERHETSINSTRUKTIONER FÖR VINKELSLIPNING

Ytterligare säkerhetsföreskrifter särskilt för Slipavsägningshantering:

a) Kila inte fast avsägningshjulet eller tillämpa högt tryck. Försök inte att utföra en överdrivet djupt jack. För högt tryck på hjulet ökar belastningen och risken med att vrida eller surra hjulet i avsägningen och risken för kickback eller att hjulet går sönder.

b) Placera inte din kropp i linje med och bakom det roterande hjulet. När hjulet, i användningsögonblicket, flyttas bort från din kropp kan risk för kickback rikta det snurrande hjulet och verktyget direkt mot dig.

c) När hjulet surras eller om en avsägning avbryts av någon anledning ska du stänga av verktyget och hålla verktyget stilla tills dess att hjulet har stannat helt och hållet. Försök aldrig att ta bort avsägningshjulet från sågjacket när hjulet är i rörelse, då kickback kan inträffa. Undersök och vidta åtgärder för att minska orsaken till att hjulet surras.

d) Starta inte om avsägningsprocessen i arbetsdelen. Låt hjulet nå full hastighet och placera tillbaka sågen försiktigt. Hjulet kan surras, gå upp eller kicka tillbaka om verktyget startas om inne i arbetsdelen.

- e) **Stödpaneler eller andra överdimensionerade arbetsdelar minskar risken för att hjulet ska nypas fast eller kickas tillbaka.** Stora arbetsdelar tenderar att böja sig under sin egen vikt. Stöd måste placeras under arbetsdelen i närheten av skärinjen och i närheten av kanten på arbetsdelen, på båda sidor om hjulet.
- f) **Vidta största försiktighet när du gör ett "ficksågning" i existerande väggar eller andra blinda områden.** Det utskjutande hjulet kan skära av gas- eller vatteledning, elektriska sladdar eller objekt som orsakar kickback.

SYMBOLER

	För att minska risken för skador måste användaren läsa bruksanvisningen
	Skyddsklass
	Varning
	Använd hörselskydd
	Använd skyddsglasögon
	Använd skyddsmask mot damm
	Använd skyddshandskar.
	Kontrollera att verktyget är fränkopplat innan du byter tillbehör.
	Uttjänade elektriska maskiner får inte kasseras som hushållsavfall. Använd återvinningsfaciliteter om det finns tillgängligt. Kontrollera med din återförsäljare eller vilka lokala föreskrifter som föreligger.

LADDNINGSPROCEDUR




OBS: Innan du använder verktyget, läs noga igenom bruksanvisningen.

ÄNDAMÅLSENLIG ANVÄNDNING

Maskinen är avsedd för kapning, grovbearbetning och borstning av arbetsstycken i metall- och sten utan vattentillförsel. För kapning av metall ska ett speciellt sprängskydd (tillbehör) användas.

MONTERING OCH DRIFT

Åtgärd	Figur
MONTERING	
Installera hjälphandtaget	Se A
Montering av slip/kapskiva	Se B1, B2, B3
Ställa in skivskyddet OBS: Dra ut stickproppen innan åtgärder utförs på maskinen. Vid arbeten med slip- eller kapskivor måste sprängskyddet vara monterat. Kodklacken på sprängskyddet (10) säkerställer att endast det sprängskydd kan monteras som passar till maskinen. Öppna spännarmen(9). Placera sprängskyddet (10) med kodklacken i kodspåret på maskinhuvudets spindelhals och vrid till önskat läge (arbetsposition). Stäng spännarmen (9) för fastklämning av sprängskyddet (10). Den slutna sidan på sprängskyddet (10) måste alltid vara riktad mot användaren.	Se C
DRIFT	
Inkoppling av ström	Se D
Användning av Till/Från-strömbrytare	Se E
Handgreppytor	Se F
Grovslipning  WARNING! Använd aldrig en kapskiva för slipning.	
Kapslipning	Se G

ARBETSTIPS FÖR DIN VINKELSLIP

1. Starta alltid utan belastning och uppnå maximal hastighet innan du börjar arbeta.
2. Forcera inte skivan att gå snabbare, reducerar du skivans rörelse innebär det en längre livslängd.
3. Arbeta alltid med en 15-30 graders vinkel mellan skivan och arbetsstycket vid slipning. Större vinklar kommer att gröpa ur vallar i arbetsstycket och påverka ytan. Flytta vinkelslipen tvärsöver och fram och tillbaka över arbetsstycket.
4. När du använder en kapskiva bör du aldrig ändra kapningsvinkeln, annars kan skivan och vinkelslipens motor stanna eller så kan skivan gå sönder.
5. När du använder en diamantskiva kommer den att bli mycket varm.
6. När det inträffar kommer du att se en hel ring med gnistor runt den roterande skivan. Sluta kapa och låt verktyget svalna genom att använda det utan belastning i 2-3 minuter. Se alltid till att arbetsstycket hålls fast eller är fastspänt så att det inte förflyttar sig.
7. Se alltid till att arbetsstycket hålls fast eller är fastspänt så att det inte förflyttar sig.

UNDERHÅLL

Ta bort pluggen från hållaren innan du gör några anpassningar, servis eller underhåll.

Det finns inga delar som kan repareras av användaren i verktyget. Använd aldrig vatten eller kemiska medel för att rengöra verktyget. Torka rent med en torr trasa. Förvara alltid verktyget på en torr plats. Håll motorns ventileringsöppningar rena. Håll alla arbetskontroller fria från damm. Ser du gnistor i ventileringsöppningarna, är det normalt och kommer inte att skada till verktyg. Om strömkabeln är skadad och att undvika fara, måste den ersättas av tillverkaren, servis agenten eller liknande kvalificerad person.

FELSÖKNING

Även om din nya vinkelslip är väldigt enkel att hantera kan du få problem, kontrollera följande:

1. Om din slip inte fungerar kontrollera strömanslutningen.
2. Om din slipmaskins skiva kastar eller vibrerar, kontrollera att den yttre flänsen är åtdragen och kontrollera att skivan är korrekt placerad på flänsplattan.
3. Om det finns några synliga skador på skivan ska den inte användas eftersom en skadad skiva kan gå sönder, ta bort den och byt mot en ny skiva. Kasta gamla skivor på ett vettigt sätt.

4. Om du arbetar med aluminium eller liknande mjuka legeringar kommer skivan snart att bli tilltäppt och kommer inte att slipa effektivt.

MILJÖSKYDD



Uttjänade elektriska maskiner får inte kasseras som hushållsavfall. Använd återvinningsfaciliteter om det finns tillgängligt. Kontrollera med din återförsäljare eller vilka lokala föreskrifter som föreligger.

DEKLARATION OM ÖVERENSSTÄMMELSE

Vi,
POSITEC Germany GmbH
Konrad-Adenauer-Ufer 37
50668 Köln

Förklarar att denna produkt,
Beskrivning **WORX Vinkelslip**
Typ **WX710 WX711 WX712 (700-749 - maskinbeteckning, anger Vinkelslip)**
Funktion **Yttre- och sidoslipning**

Uppfyller följande direktiv,
2006/42/EC, 2004/108/EC, 2011/65/EU

Standarder överensstämmer med:

EN 55014-1	EN 55014-2
EN 61000-3-2	EN 61000-3-3
EN 60745-1	EN 60745-2-3

Personen som godkänts att sammanställa den tekniska filen.

Namn Russell Nicholson
Address Positec Power Tools (Europe)Ltd,
PO Box 152,Leeds,LS10 9DS,UK



Suzhou 2015/06/30
Allen Ding
Vice chefsingenjör, tester och certifiering

1. GUMB ZA ZAKLEPANJE STIKALA
2. STIKALO ZA VKLOP/IZKLOP
3. PROTIVIBRACIJSKI DODATNI ROČAJ
4. KLJUČ ZA NASTAVLJANJE
5. NOTRANJA PRIROBNICA
6. ZUNANJA PRIROBNICA
7. MATICA ZA PRILAGAJANJE
8. VRETENO
9. ROČICA ZA PRITRJEVANJE VAROVALA
10. VAROVALO BRUSILNEGA KOLESA
11. KOLUT*
12. VAROVALO REZALNEGA KOLESA*


* Pri standardni dobavi niso vključeni vsi prikazani dodatki.

TEHNIČNI PODATKI

Vrsta **WX710 WX711 WX712 (700-749 -oznaka naprave kotni brusilnik)**

86	WX710	WX711	WX712
Napetost	220-240V~50/60Hz		
Električni priklop	860W	750W	860W
Nominalno število vrtljajev	12,000/min		
Velikost koluta	100mm	115mm	125mm
Vrtina koluta	16mm	22.2mm	22.2mm
Navoj vretena	M10	M14	M14
Razred zaščite	□ / II		
Teža strojčka	2.0 kg		

PODATKI O HRUPU

	WX710	WX711 WX712
Vrednotena raven zvočnega tlaka	L_{pA} : 92.7dB(A)	L_{pA} : 89.7dB(A)
Vrednotena raven zvočne moči	L_{wA} : 103.7dB(A)	L_{wA} : 100.7dB(A)
K_{pA} & K_{wA}	3.0dB(A)	
Pri povišani ravni hrupa, uporabite zaščito za ušesa.	80dB(A) 	

PODATKI O VIBRACIJAH

	WX710	WX711	WX712
Skupne vrednosti oscilacij (vektorski seštevek treh smeri), skladno z EN 60745:			
Tipična vrednotena raven vibracij	Vrednost emisije vibracij (za glavno ročico)	$a_h = 4,071\text{m/s}^2$	$a_h = 5,124\text{m/s}^2$
	Vibration emission value (za dodatni ročaj)	$a_h = 4,557\text{m/s}^2$	$a_h = 9,136\text{m/s}^2$
	Nezanesljivost meritve $K = 1.5\text{m/s}^2$		

Deklarirano vrednost emisije vibracij lahko uporabite za primerjavo med strojčki, hkrati pa s pomočjo nje predvidite pričakovano raven izpostavljenosti.

⚠ OPOZORILO: Dejanska vrednost emisije vibracij med uporabo strojčka, se lahko razlikuje od navedene, kajti nanjo vpliva tudi način uporabe strojčka, predvsem naslednje okoliščine:

Način uporabe strojčka in materiali v katere vrtnate ali vijačite.

Ali je strojček v dobrem stanju in ustrezno vzdrževan.

Ali uporabljate ustrezeni dodatek in njegova brezhibnost.

Čvrstost oprijema ročajev in morebitna uporaba dodatkov za zmanjševanje vibracij.

Uporaba orodja za predviden namen, skladen s temi navodili.

Če strojčka ne uporabljate pravilno, lahko povzroči vibracijski sindrom zapestja in rok.

⚠ OPOZORILO: Če želimo resnično natančno oceniti raven izpostavljenosti v dejanskih okoliščinah, moramo upoštevati tudi vse faze delovnega procesa, tudi število vklopov in izklopov strojčka ter čas, ko deluje v prostem teku in neobremenjeno. To lahko znatno zmanjša raven izpostavljenosti tekom celotnega delovnega procesa.

Pomoč pri zmanjševanju tveganja pri izpostavljenosti vibracijam.

VEDNO uporabljajte le ostre pripomočke.

Strojček vzdržujte skladno s temi navodili in poskrbite, da bo dobro namazan (kjer je potrebno).

Če boste strojček uporabljali redno, potem investirajte v dodatke za zmanjševanje vibracij.

Strojčka ne uporabljajte pri temperaturah pod 10°C .

Delo si organizirajte tako, da boste opravila z visoko ravno vibracij izvajali v več fazah, tekom nekaj dni.

DODATKI

	WX710	WX711	WX712
Ključ za nastavljanje		1	
Brusilni kolot za kovino		1	
Dodatni ročaj	1	1	/
Protivibracijski dodatni ročaj	/	/	1

Prporočamo vam, da dodatke vedno kupujete v isti trgovini, kot ste kupili strojček. Uporabljajte le kakovostne dodatke priznane blagovne znamke. Vedno uporabite takšen dodatek, ki ustreza vašemu delu. Za podrobnosti si oglejte razlage na embalaži kompleta dodatkov. Pri odločanju o ustreznem dodatku, vam lahko pomaga tudi osebeje v trgovini.

VARNOSTNA NAVODILA ZA DELOVANJE

SPOŠNA VARNOSTNA OPOZORILA ZA BRUŠENJE ALI ABRAZIVNO REZANJE:

- a) **To električno orodje je namenjeno za brušenje ter rezanje različnih materialov. Pred uporabo orodja, pazno preberite vsa varnostna opozorila, navodila, preglejte ilustracije ter preverite tehnične podatke orodja.** Neupoštevanje opozoril in navodil lahko privede do električnega udara in/ali resnih poškodb.
- b) **Ne priporočamo, da s tem orodjem izvajate operacije, kot so brušenje, ščetkanje, poliranje.** Če električno orodje uporabljate za nepredvidene operacije, s tem lahko povzročite telesne poškodbe.
- c) **Ne uporabljajte pribora, ki ga proizvajalec za to orodje ni specialno predvidel in katerega uporabe ne priporoča.** Zgolj dejstvo, da lahko nek pribor pritrdite na Vaše električno orodje, še ne zagotavlja varne uporabe.
- d) **Dovoljeno število vrtljajev vsadnega orodja mora biti najmanj tako visoko kot maksimalno število vrtljajev, ki je navedeno na električnem orodju.** Pribor, ki se vrti hitreje kot je dovoljeno, se lahko zlomi in leti naokrog.
- e) **Zunanji premer in debelina vsadnega orodja morata ustrezati meram Vašega električnega orodja.** Napačno dimenzioniranih vsadnih orodij ne boste mogli dovolj dobro zavarovati ali nadzorovati.
- f) **Če na električno orodje želite priviti dodatke, se mora njegov navoj natančno prilagajati navoju na orodju. Pri dodatkih, ki jih namestite na pribornice, se mora premer prilagajati premeru pribornice.** Dodatkov, ki dimenzijsko ne ustrezajo pritrilni opremi električnega orodja, bodo delovali nebalansirano, zaradi česar bodo prekomerno vibrirali ter morda povzročili izgubo nadzora nad orodjem.
- g) **Ne uporabljajte poškodovanih vsadnih orodij. Pred vsako uporabo preverite dodatke, kot so abrazivni koloti, glede razpok ter razrezanosti, podložno ploščo glede razpok, obrabljenosti ali iztrošenosti. Če pade električno orodje ali vsadno orodje na tla, pogledajte, če ni poškodovano in uporabljajte samo nepoškodovana vsadna orodja. Po kontroli in vstavljanju vsadnega orodja se ne zadržujte v ravnini vrtečega se vsadnega orodja, kar velja tudi za druge osebe v bližini. Električno orodje naj eno minuto**

deluje z najvišjim številom vrtljajev.

Poškodovana vsadna orodja se največkrat zlomijo med tem preizkusnim časom.

- h) **Uporabljajte osebno zaščitno opremo. Odvisno od vrste uporabe si nataknite zaščitno masko čez cel obraz, zaščitno za oči ali zaščitna očala. Če je potrebno, nosite zaščitno masko proti prahu, zaščitne glušnice, zaščitne rokavice ali specialni predpasnik, ki Vas bo zavaroval pred manjšimi delci materiala, ki nastajajo pri brušenju.** Oči je treba zavarovati pred tujki, ki nastajajo pri različnih vrstah uporabe naprave in letijo na- okrog. Zaščitna maska proti prahu ali dihalna maska morata filtrirati prah, ki nastaja pri uporabi. Predolgo izpostavljanje glasnemu hrupu ima lahko za posledico izgubo sluha.
- i) **Pazite, da bodo druge osebe varno oddaljene od Vašega delovnega območja. Vsak, ki stopi na delovno območje, mora nositi osebno zaščitno opremo.** Odlomljeni delci obdelovanca ali zlomljena vsadna orodja lahko odletijo stran in povzročijo telesne poškodbe, tudi izven neposrednega delovnega območja.
- j) **Če izvajate dela, pri katerih lahko vstavno orodje pride v stik s skritimi omrežnimi napeljavami ali z lastnim omrežnim kablom, smete napravo držati le na izoliranem ročaju.** Stik z napeljavo, ki je pod napetostjo, lahko povzroči, da so tudi kovinski deli naprave pod napetostjo, kar lahko povzroči električni udar.
- k) **Omrežnega kabla ne približujte vrtečemu se vsadnemu orodju.** Če izgubite nadzor nad električnim orodjem, lahko orodje prereže ali zagrabí kabl, Vaša roka pa zaide v vrteče se vsadno orodje.
- l) **Ne odlagajte električnega orodja, dokler se vsadno orodje popolnoma ne ustavi.** Vrteče se vsadno orodje lahko pride v stik z odlagalno površino, zaradi česar lahko izgubite nadzor nad električnim orodjem.
- m) **Električno orodje naj medtem, ko ga prenašate naokrog, ne deluje.** Vrteče se vsadno orodje lahko zaradi naključnega kontakta zagrabí Vaše oblačilo in se zavrtá v Vaše telo.
- n) **Prezračevalne reže Vašega električnega orodja morate redno čistiti.** Ventilator motorja povleče v ohišje prah in velika količina nabanenega prahu je lahko vzrok za električno nevarnost.
- o) **Ne uporabljajte električnega orodja v bližini gorljivih materialov.** Ti materiali se lahko zaradi iskenja vnamejo.
- p) **Ne uporabljajte vsadnih orodij, ki za hlačenje potrebujejo tekočino.** Uporaba vode ali drugih tekočin lahko povzroči električni udar.
- q) **Med delom z obema rokama trdno držite orodje. Če je orodju priložen dodatni ročaj, ga uporabite.** Izguba nadzora lahko povzroči telesne poškodbe.

DODATNA VARNOSTNA NAVODILA ZA DELO

Povratni udarec in ustrežna opozorila

Povratni udarec je nenadna reakcija, ki nastane zaradi zagozdenja ali blokiranja vrtečega se vsadnega orodja, na primer brusilnega koluta, brusilnega krožnika, žične ščetke in podobnega. Zagozdenje ali blokiranje ima za posledico takojšnjo ustavitev vrtečega se vsadnega orodja. Nekontrolirano električno orodje se zaradi tega pospešeno premakne v smer, ki je nasprotna smeri vrtenja vsadnega orodja.

Če se na primer brusilni kolot zatakne ali zablokira v obdelovancu, se lahko rob brusilnega koluta, ki je potopljen v obdelovanec, zaplete vanj in brusilni kolot se odlomi ali povzroči povratni udarec. Brusilni kolot se nato premakne proti uporabniku ali proč od njega, odvisno od smeri vrtenja brusilnega koluta na mestu blokiranja. Blokirni koloti se lahko pri tem tudi zlomijo.

Povratni udarec je posledica napačne ali po-manjkljive uporabe električnega orodja. Pre-predite ga lahko z ustreznimi previdnostnimi ukrepi. Navedeni so v nadaljevanju besedila.

- a) **Dobro držite električno orodje in premaknite telo in roke v položaj, v katerem boste lahko prestregli moč povratnega udarca. Če je na voljo dodatni ročaj, ga obvezno uporabljajte in tako zagotovite najboljše možno nadziranje moči povratnih udarcev ali reakcijskih momentov pri zagonu naprave.** Z ustreznimi previdnostnimi ukrepi lahko uporabnik obvlada moč povratnih udarcev in reakcijskih momentov.
- b) **Nikoli z roko ne segajte v bližino vrtečih se vsadnih orodij.** V primeru povratnega udarca se lahko orodje premakne čez Vašo roko.
- c) **Ne približujte telesa področju, v katerega se lahko v primeru povratnega udarca premakne električno orodje.** Povratni udarec potisne električno orodje v smer, ki je nasprotna smeri premikanja brusilnega koluta na mestu blokiranja.
- d) **Posebno previdno delajte v kotih, na ostrih robovih in podobnih površinah. Preprečite, da bi vsadna orodja odskočila od obdelovanca in se zagozdila.** Vrteče se vsadno orodje se v kotih, na ostrih robovih ali če odskoči, zlahka zagozdi. To povzroči izgubo nadzora ali povratni udarec.
- e) **Ne uporabljajte verižnih ali nazobčanih žaginih listov.** Ta vsadna orodja pogosto povzročijo povratni udarec ali izgubo nadzora nad električnim orodjem.

POSEBNA OPOZORILA ZA BRUŠENJE IN REZAIJE

Posebna varnostna opozorila za brušenje ali abrazivno rezanje:

- a) **Uporabljajte samo brusila, ki so atestirana**

za Vaše električno orodje in zaščitni pokrov, predviden za ta brusila. Brusil, ki niso predvidena za Vaše električno orodje, ne boste mogli dobro zavarovati in so zato nevarna.

- b) **Abrazivni del koluta mora biti nameščen na sredino podložnega koluta, proč od varovala.** Nepravilno nameščen abrazivni kolot, ki sega izven podložnega, in ga varovalo ne varuje, predstavlja nevarnost.
- c) **Varovalo mora biti trdno pritrjeno na električno orodje in nastavljeno tako, da zagotavlja maksimalno varnost za uporabnika električnega orodja.** Varovalo pomaga zaščititi uporabnika pred letečimi delci in nehotenim stikom s kolutom ter iskrami, ki lahko zanetijo tudi požar.
- d) **Brusila lahko uporabljate samo za vrste uporabe, ki jih priporoča proizvajalec. Na primer: Nikoli ne brusite s stransko ploskvijo rezalne plošče.** Rezalne plošče so namenjene odstranjevanju materiala z robom plošče. Brusilo se lahko zaradi bočnega delovanja sile zlomi.
- e) **Za izbrani brusilni kolot vedno uporabljajte nepoškodovane vpenjalne prirobnice pravilne velikosti in oblike.** Ustrezne prirobnice podpirajo brusilni kolot in tako zmanjšujejo nevarnost, da bi se kolot zlomil. Prirobnice za rezalne plošče se lahko razlikujejo od prirobnic za druge brusilne kolote.
- f) **Ne uporabljajte obrabljenih brusilnih kolotov večjih električnih orodij.** Brusilni koloti za večja električna orodja niso konstruirana za višje število vrtljajev, s katerimi delujejo manjša električna orodja in se lahko zato zlomijo.

DODATNA VARNOSTNA NAVODILA ZA POSTOPKE REZANJA

Ostala posebna opozorila za rezanje

- a) **Izogibajte se blokiranju rezalne plošče ali premočnemu pritiskanju na obdelovanec.** Ne delajte pretirano globokih rezov. Preobremenjenost rezalne plošče se poveča, prav tako dovzetnost za zatikanje ali blokiranje in s tem možnost povratnega udarca ali zloma brusila.
- b) **Izogibajte se področja pred in za vrtečo se rezalno ploščo. Če boste rezalno ploščo, ki je v obdelovancu, potisnili stran od sebe, lahko električno orodje v primeru povratnega udarca skupaj z vrtečim se kolutom odleti naravnost v Vas.**
- c) **Če se rezalna plošča zagozdi ali če prekinete z delom, električno orodje izklopite in ga držite pri miru, dokler se kolot popolnoma ne ustavi.** Nikoli ne poskušajte rezalne plošče, ki se še vrti, potegniti iz reza, ker lahko pride do povratnega udarca. Ugotovite in odstranite vzrok zagozditve.
- d) **Dokler se električno orodje nahaja v**

obdelovancu, ga ne smete ponovno vklopiti. Počakajte, da bo rezalna plošča dosegla polno število vrtljajev in šele potem previdno nadaljujte z rezanjem. V nasprotnem primeru se lahko plošča zatakne, skoči iz obdelovanca ali povzroči povratni udarec.

- e) **Plošče ali velike obdelovance ustrezno podprite in tako zmanjšajte tveganje povratnega udarca zaradi zataknjene rezalne plošče.** Veliki obdelovanci se lahko zaradi lastne teže upognejo. Obdelovanec mora biti podprt z obeh strani, pa tudi v bližini reza in na robu.
- f) **Še posebno previdni bodite pri „rezanju žepov“ v obstoječe stene ali v druga področja, v katera nimate vpogleda.** Pogrezajoča se rezalna plošča lahko pri zarezovanju v plinske ali vodovodne cevi ter električne vodnike in druge predmete povzroči povratni udarec.

SIMBOLI

	Zaradi zmanjševanja nevarnosti poškodb, se temeljito seznanite z navodili za uporabo.
	Dvojna izolacija
	Opozorilo
	Uporabljajte zaščito za ušesa
	Uporabljajte zaščito za oči
	Nosite zaščitno masko za prah
	Nosite zaščitne rokavice
	Poskrbite, da bo pred menjavanjem dodatkov orodje odklopljeno z vira napajanja.
	Odpadnih električnih naprav ne smete zavreči skupaj z ostalimi gospodinjstvi odpadki. Dostavite jih na mesto za ločeno zbiranje odpadkov. Glede podrobnosti, se posvetujte z lokalno službo za ravnanje z odpadki.

NAVODILA ZA UPORABO




OPOMBA: Preden začnete uporabljati strojček, si pozorno preberite navodila.

NAMEN UPORABE:

Strojček je namenjen rezanju, brušenju in obdelovanju materialov brez dovajanja vode. Za rezanje kovin, morate obvezno namestiti varovalo .

SESTAVLJANJE IN NAČIN UPORABE

Opravoilo	Slika
SESTAVLJANJE	
Namestitev dodatnega ročaja	Glejte sliko A
Namestitev brusilnega/rezalnega koluta	Glejte sliko B1, B2, B3
NAMESTITEV VAROVALA Opomba: Pred slehernim posegom na napravi, izvlecite napajalni kabel iz vtičnice. Pri brušenju ali rezanju mora biti obvezno nameščeno varovalo. Nastavek na varovalu (10) zagotavlja, da na napravo lahko namestite le predpisana varovala, ki ustrezajo tej napravi. Odprite pritrdilno ročico (9). Vstavite varovalo (10), z nastavkom v utor glave vretena ter ga obrnite v zeleni položaj (delovni položaj). Za pritrditev varovala (10), zaprte ročico (9). Zaprta stran varovala (10) mora biti vedno obrnjena proti uporabniku.	Glejte sliko C
DELOVANJE	
Priklop na napajanje	Glejte sliko D
Uporaba stikala za vklop/izklop	Glejte sliko E
Predeli za prijemanje	Glejte sliko F
Grobo brušenje  OPOZORILO! Nikoli ne uporabljajte rezalnega koluta za grobo brušenje.	
Rezanje	Glejte sliko G

NASVETI ZA DELO S KOTNIM BRUSILNIKOM

1. Strojček zaženite in počakajte, da doseže maksimalno hitrost brez obremenitve.
2. Brusilnega koluta ne preobremenjujte z željo, da bi delali hitreje, kajti tako se bo hitreje obrabil.
3. Med kolutom in obdelovancem ohranajte 15-30 stopinjski kot. Če je kot večji, lahko poškodujete površino obdelovanca. Brusilni kolot pomikajte naprej in nazaj po obdelovancu.
4. Kadar uporabljate rezalni kolot, med delom ne spreminjajte kota rezanja, sicer se kolot lahko zagodzi v obdelovanec in preobremeni motor. Med rezanjem strojček pomikajte proti smeri rezanja. Če strojček pomikate v isti smeri kot se vrti kolot, slednjega lahko izvrže proti vam.
5. Pri rezanju trdih materialov boste dosegali najboljše rezultate, če boste uporabili kolot z diamantno oblogo.
6. Pri rezanju z diamantnim kolutom se bo slednji zelo ogrel. V tem primeru se bo okoli koluta pojavil oblok isker. Prekinite rezanje in 2-3 minute počakajte, da se orodje ohladi.
7. Vedno poskrbite, da bo obdelovanec trdno vpet in se ne bo mogel premikati.

VZDRŽEVANJE

Pred vsakim prilagajanjem, servisiranjem ali vzdrževanjem izvezite vtičnik iz vtičnice.

Strojček tudi nima nobenih delov, ki bi jih morali servisirati. Za čiščenje strojčka nikoli ne uporabljajte vode ali kemičnih sredstev. Obrišite ga le s suho krpo. Strojček vedno shranjujte na suhem mestu. Poskrbite, da bodo prezračevalne odprtine čiste. Vsi elementi krmiljenja morajo biti čisti, brez prahu. Med uporabo strojčka boste skozi prezračevalne reže lahko opazili iskenje. To je običajno in ne bo poškodovalo strojčka. Če je napajalni kabel poškodovan, ga lahko zamenja le proizvajalec, njegov serviser ali podobno usposobljene osebe, sicer obstaja nevarnost poškodb.

ODPRAVLJANJE NAPAK

Čeprav je vaš kotni brusilnik zelo preprost za uporabo, si za pomoč pri delu lahko ogledate naslednje:

1. Če vaš brusilnik ne deluje, preverite napajanje.
2. Če je brusilnik med delom povzroča prekomerne vibracije, preverite, ali je zunanja prirobnica dobro privita in pravilno nameščena na prirobnico.
3. Če opazite, da je kolot poškodovan, ga zamenjajte z novim, sicer lahko pride do poškodb. Rabljene kolute

- odlagajte skladno s predpisi za tovrstne odpadke.
4. Če obdelujete aluminijaste ali podobne mehke zlitine, se bo brusilno kolo izdatneje mašilo.

VAROVANJE OKOLJA



Odpadnih električnih naprav ne smete zavreči skupaj z ostalimi gospodinjstskimi odpadki.

■ Dostavite jih na mesto za ločeno zbiranje odpadkov. Glede podrobnosti, se posvetujte z lokalno službo za ravnanje z odpadki.

IZJAVA O SKLADNOSTI

Mi,
POSITEC Germany GmbH
Konrad-Adenauer-Ufer 37
50668 Köln

Izjavljamo, da je izdelek,
Opis izdelka **WORX Kotni brusilnik**
Vrsta izdelka **WX710 WX711 WX712 (700-749 -oznaka naprave, predstavnikotnih brusilnikov)**
Funkcija **Neposredno in obrobno brušenje**

Skladen z naslednjimi direktivami,
2006/42/EC, 2004/108/EC, 2011/65/EU

in izpolnjuje naslednje standarde:

EN 55014-1	EN 55014-2
EN 61000-3-2	EN 61000-3-3
EN 60745-1	EN 60745-2-3

Oseba, ki je pooblaščen za skladnost tehnične dokumentacije,

Ime **Russell Nicholson**
Naslov **Positec Power Tools (Europe)Ltd, PO Box 152, Leeds, LS10 9DS, UK**



Suzhou 2015/06/30

Allen Ding

Pooblaščen glavni inženir za testiranje in certificiranje



www.worx.com

Copyright © 2015, Positec. All Rights Reserved.
AR01001700