

TT-N503

NETWORK TURNTABLE / PLATINE VINYLE CONNECTÉE

Сетевой Виниловый проигрыватель

MusicCast VINYL 500

Owner's Manual

Mode d'emploi

Bedienungsanleitung

Bruksanvisning

Manuale di istruzioni

Manual de instrucciones

Gebruiksaanwijzing

Manual do Proprietário

Инструкция по эксплуатации

 **YAMAHA**

English

Français

Deutsch

Svenska

Italiano

Español

Nederlands

Português

Русский

This product is designed for use at home to enjoy listening to audio.

PRECAUTIONS

PLEASE READ CAREFULLY BEFORE USE. BE SURE TO FOLLOW THESE INSTRUCTIONS.

The precautions listed below are to prevent risk of harm to the user and others, as well as to prevent property damage, and to help the user use this unit properly and safely. Be sure to follow these instructions.

After reading this manual, be sure to keep it in a safe place where it can be referenced at any time.

- Be sure to request inspections or repairs from the dealer where you purchased the unit or from qualified Yamaha service personnel.
- Yamaha cannot be held responsible for injury to you or damage of the products caused by improper use or modifications to the unit.
- This product is for ordinary homes. Do not use for applications requiring high reliability, such as managing lives, health care or high-value assets.



WARNING

This content indicates “risk of serious injury or death.”

Power supply/AC adaptor

- Do not do anything that could damage the power cord.
 - Do not place it near a heater.
 - Do not bend it excessively or alter it.
 - Do not scratch it.
 - Do not place it under a heavy object.Using the power cord with the core of the cord exposed could cause electric shocks or a fire.
- Do not touch the power plug or cord if there is a chance of lightning. Failure to observe this may cause electric shocks.
- Use this unit with the power supply voltage printed on it. Failure to connect to an appropriate AC outlet may cause a fire, electric shocks, or malfunctions.
- Be sure to use the supplied AC adaptor. Failure to observe the above may cause a fire, burns, or malfunctions.
- Check the electric plug periodically and remove any dirt or dust which may have accumulated on it. Failure to observe this may cause a fire or electric shocks.

- When setting up the unit, make sure that the AC outlet you are using is easily accessible. If some trouble or malfunction occurs, immediately turn off the power switch and disconnect the plug from the AC outlet. Even when the power switch is turned off, as long as the power cord is not unplugged from the wall AC outlet, the unit will not be disconnected from the power source.
- If you hear thunder or suspect approaching lightning, quickly turn off the power switch and pull the power plug from the AC outlet. Failure to observe this may cause a fire or malfunctions.
- If not using the unit for long periods of time, be sure to pull the power plug from the AC outlet. Failure to observe this may cause a fire or malfunctions.

Do not disassemble

- Do not disassemble or modify this unit. Failure to observe this may cause a fire, electric shocks, injury, or malfunctions. If you notice any irregularities, be sure to request an inspection or repair from the dealer where you purchased the unit or from qualified Yamaha service personnel.

Water warning

- Do not expose the unit to rain, use it near water or in damp or wet conditions, or place on it any containers (such as vases, bottles or glasses) containing liquids which might spill into any openings or places where water may drop. A liquid such as water getting into the unit may cause a fire, electric shocks, or malfunctions. If any liquid such as water seeps into the device, turn off the power immediately and unplug the power cord from the AC outlet. Then, request an inspection from the dealer where you purchased the unit or from qualified Yamaha service personnel.
- Never insert or remove an electric plug with wet hands. Do not handle this unit with wet hands. Failure to observe this may cause electric shocks or malfunctions.

Fire warning

- Do not place any burning items or open flames near the unit, since they may cause a fire.

Wireless unit

- Do not use this unit near medical devices or inside medical facilities. Radio waves from this unit may affect electro-medical devices.
- Do not use this unit within 15 cm (6 in) of persons with a heart pacemaker implant or a defibrillator implant. Radio waves from this unit may affect electro-medical devices, such as a heart pacemaker implant or defibrillator implant.

If you notice any abnormality

- If any of the following abnormalities occur, immediately turn off the power and disconnect the power plug.
 - The power cord/plug is damaged.
 - An unusual smell or smoke is emitted from the unit.
 - Foreign material gets into the interior of the unit.
 - There is a crack or damage in the unit.

Continued use could cause electric shocks, a fire, or malfunctions. Immediately request an inspection or repair from the dealer where you purchased the unit or from qualified Yamaha service personnel.

- Be careful not to drop or apply strong impact to this unit or the AC adaptor. If you suspect the unit may have been damaged due to dropping or impact, immediately turn off the power and pull the power plug from the AC outlet. Failure to observe this may cause electric shocks, a fire, or malfunctions. Immediately request an inspection from the dealer where you purchased the unit or from qualified Yamaha service personnel.



CAUTION

This content indicates “risk of injury.”

Power supply/AC adaptor

- Do not cover or wrap the AC adaptor with a cloth or blanket. Failure to observe this may trap heat, causing deformation in the case or a fire.
- Do not use an AC outlet where the power plug fits loosely when inserted. Failure to observe this may cause a fire, electric shocks, or burns.
- When removing the electric plug from the unit or an AC outlet, always hold the plug itself and not the cord. Pulling by the cord can damage it and cause electric shocks or a fire.
- Insert the power plug firmly all the way into the AC outlet. Using the unit when it is not plugged in sufficiently can cause dust to accumulate on the plug, causing a fire or burns.

Installation

- Do not place the unit in an unstable position where it might accidentally drop or fall over and cause injuries.
- When installing this unit:
 - Do not cover it with any cloth.
 - Do not install it on a carpet or rug.
 - Make sure the top surface faces up; do not install on its sides or upside down.
- Ensure that the top is facing upwards. Failure to observe this may cause malfunctions or for the unit to fall and cause injury.

- Do not install the unit in places where it may come into contact with corrosive gases or salt air or places that have excessive smoke or steam. Doing so may result in malfunction.
- Avoid being near the unit during a disaster, such as an earthquake. Since the unit may turn over or fall and cause injury, quickly move away from the unit and go to a safe place.
- Before moving this unit, be sure to turn off the power switch and disconnect all connection cables. Failure to observe this may damage the cables or cause you or someone else to trip and fall.

Hearing loss

- Before connecting the unit to other devices, turn off the power for all devices. Failing to do so may result in hearing loss, electric shock, or device damage.
- When turning on the AC power in your audio system, always turn on the amplifier or receiver LAST, to avoid hearing loss and speaker damage. When turning the power off, the amplifier or receiver should be turned off FIRST for the same reason. Failure to observe the above may cause hearing impairment or speaker damage.

Maintenance

- Remove the power plug from the AC outlet before cleaning the unit. Failure to observe this may cause electric shocks.

Handling caution

- Keep small parts out of the reach of infants. Your children may accidentally swallow them.
- Do not do the following:
 - stand on or sit on the equipment.
 - put heavy items on top of the equipment.
 - place the equipment in a stack.
 - apply unreasonable force to buttons, switches, input/output terminals, etc.
 - lean against the equipment.
- Avoid pulling the connected cables to prevent injuries or damage to the unit by causing it to fall.

Notice

Indicates points that you must observe in order to prevent product failure, damage or malfunction and data loss.

Power supply/AC adaptor

- If not using the unit for a long period of time, be sure to pull the power plug from the outlet. A minute current is still flowing even if the power has been turned off (the power is in standby).

Installation

- Do not use this unit in the vicinity of other electronic equipment, such as a TV, radio, or mobile phone. Failure to observe this may cause this unit or the TV or radio to produce noise.
- Do not use this unit in a location that is exposed to direct sunlight that becomes extremely hot, such as near a heater, or extremely cold, or that is subject to excessive dust or vibration. Failure to observe this may cause the unit's panel to become deformed, the internal components to malfunction, or for operation to become unstable.
- If using a wireless function, avoid installing this unit near metal walls or desks, microwave ovens, or other wireless network devices. Obstructions could shorten the transmission distance.

Connections

- If connecting external units, be sure to thoroughly read the manual for each unit and connect them in accordance with the instructions.

Failure to properly handle a unit in accordance with the instructions could cause malfunctions.

Handling

- Do not place plastic or rubber products on this unit. Failure to observe this may cause discoloration or deformation in the panel of this unit.
- If the ambient temperature changes drastically (such as during unit transportation or under rapid heating or cooling) and there is a chance condensation may have formed in the unit, leave the unit for several hours without turning on the power until it is completely dry before use. Using the unit while there is condensation can cause malfunctions.

Maintenance

- If the temperature or humidity changes drastically, water droplets (condensation) may form on the unit surface. If water droplets form, immediately wipe them off with a soft cloth. If water droplets are left on the unit, they may be absorbed into the wooden parts, causing deformation.
- When cleaning the unit, use a dry, soft cloth. Using chemicals such as benzine or thinner, cleaning agents, or chemical scrubbing cloths can cause discoloration or deformation.

Information

About content in this manual

- The illustrations and screens in this manual are for instructional purposes only.
- The company names and product names in this manual are the trademarks or registered trademarks of their respective companies.
- Software may be revised and updated without prior notice.

■ About the name plate of the unit

The model number, serial number, power requirements, etc., may be found on or near the name plate, which is at the bottom of the unit. You should note this serial number in the space provided below and retain this manual as a permanent record of your purchase to aid identification in the event of theft.

Model No.

Serial No.

(bottom_en_01)

[Europe model]

Wireless communication functions

Bluetooth

Radio Frequency (Operational Frequency): 2402 MHz to 2480 MHz
Maximum Output Power (EIRP): 7.27 dBm

Wi-Fi (2.4 GHz)

Radio Frequency: 2402 MHz to 2482 MHz
Maximum Output Power (EIRP): 19.98 dBm

Wi-Fi (5 GHz)

Radio Frequency, Maximum Output Power (EIRP):
5170 to 5250MHz, 22.03 dBm
5250 to 5330MHz, 22.27 dBm
5490 to 5710MHz, 24.56 dBm
5735 to 5835MHz, 13.96 dBm

- Wireless devices transmitting over a 5 GHz frequency band can only be used indoors. Use of such devices outdoors is prohibited by law.

Information for users on collection and disposal of old equipment and used batteries:



These symbols on the products, packaging, and/or accompanying documents mean that used electrical and electronic products and batteries should not be mixed with general household waste.

For proper treatment, recovery and recycling of old products and used batteries, please take them to applicable collection points, in accordance with your national legislation.

By disposing of these products and batteries correctly, you will help to save valuable resources and prevent any potential negative effects on human health and the environment which could otherwise arise from inappropriate waste handling.

For more information about collection and recycling of old products and batteries, please contact your local municipality, your waste disposal service or the point of sale where you purchased the items.



For business users in the European Union:

If you wish to discard electrical and electronic equipment, please contact your dealer or supplier for further information.



Information on Disposal in other Countries outside the European Union:

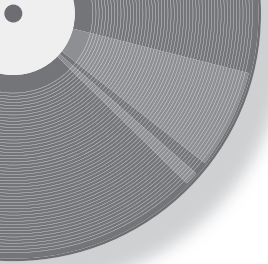
These symbols are only valid in the European Union. If you wish to discard these items, please contact your local authorities or dealer and ask for the correct method of disposal.

Cd

Note for the battery symbol (bottom two symbol examples):

This symbol might be used in combination with a chemical symbol. In this case it complies with the requirement set by the EU Battery Directive for the chemical involved.

(weee_battery_eu_en_02)



Contents

Before you start **10**

What you can do with the unit	10
About this manual	11
Handling records	11
Check the supplied accessories	11
Parts and their functions	12
Top panel	12
Back panel	14

Getting ready **15**

Location	15
Assembly	15
Assembling the unit	15
Attaching the dust cover	17
Making connections	18
Connecting to an amplifier	18
Connecting a network cable	19
Making adjustments	20
Adjusting the stylus pressure	20
Adjusting the anti-skating	22
Turning the power on	22
About this unit's standby modes	22
Connecting the unit to the network	23

Playback 25

Listening to a record	25
Listening to Internet radio	28
Listening to streaming services	28
Playing music files stored on a media server (PC/NAS)	29
Media sharing setup	29
Playing music files	29
Listening to music via Bluetooth.	30
Listening to music via AirPlay	31
Using MusicCast CONTROLLER to register favorites	31

Detailed settings 32

Making settings via MusicCast CONTROLLER . . .	32
Setting the sleep timer	32
Enabling/disabling automatic playback.	32
Enabling/disabling automatic standby	32
Making settings via a web browser	33
Accessing the settings screen	33

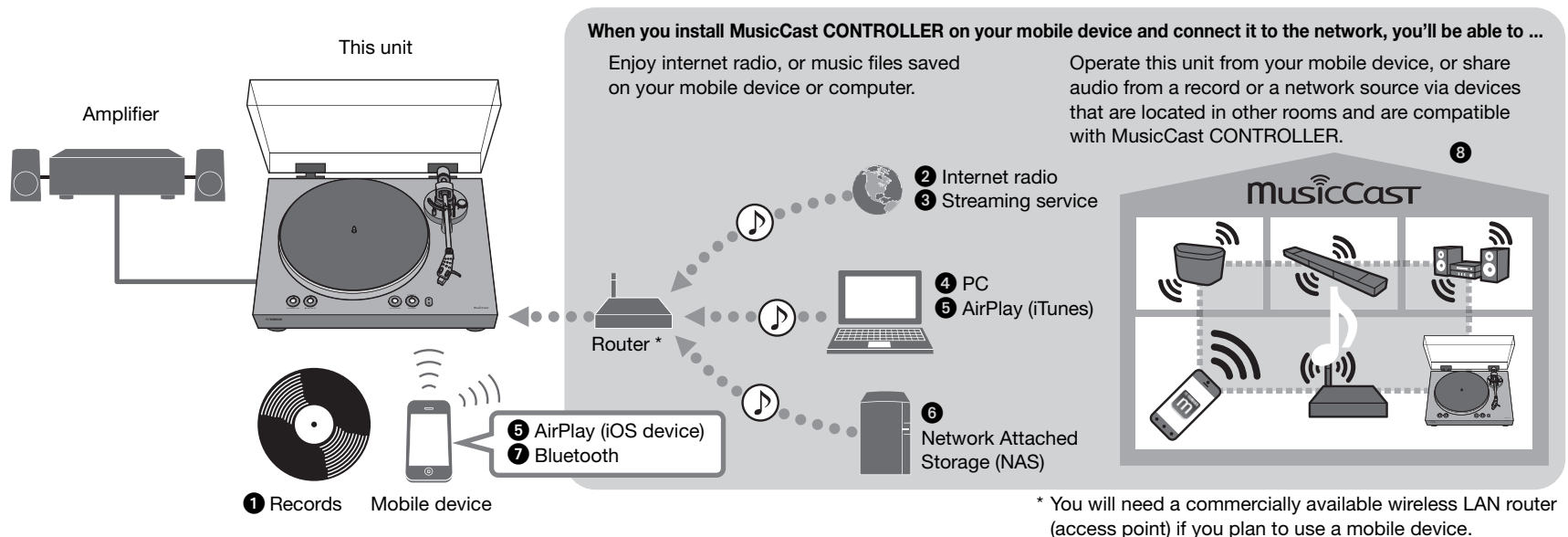
When necessary 34

Updating the firmware	34
Initializing the settings	35
Connecting to a network using the WAC function . .	35
Care.	36
Replacement	36
Replacing the belt.	36
Replacing the record stylus.	37
Moving this unit	37
Troubleshooting	38
General	38
Bluetooth	40
Network	41
Supported devices and file formats	43
Supported devices	43
File formats.	43
Trademarks.	44
Specifications.	45

Before you start

What you can do with the unit

This unit is a network turntable that supports playback from network sources such as media servers or mobile devices, in addition to playing records.



1 Record playback (⇒ page 25)

2 Listening to Internet radio (⇒ page 28)

3 Listening to streaming services (⇒ page 28)

4 Playing music files stored on your PC (⇒ page 29)

5 Playing music files with AirPlay (⇒ page 31)

6 Playing music files stored on a Network Attached Storage (NAS) device (⇒ page 29)

7 Playing audio content from a Bluetooth device (⇒ page 30)

8 Playing music using MusicCast CONTROLLER (⇒ page 23)

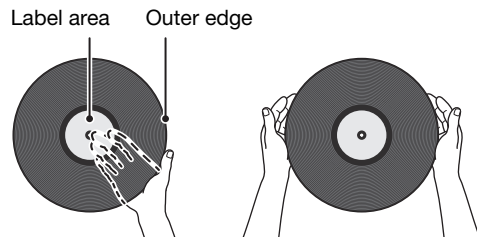
About this manual

When reading this manual, please note the following.

- ◆ Specifications and appearance are subject to change without notice in order to improve the product.
- ◆ In this manual, iPhone, iPad and iPod touch are collectively referred to as “OS device”.
- ◆ This manual uses MusicCast CONTROLLER screens displayed in English on an iPhone as examples.
- ◆ Explanation of graphic symbols used in this manual:
 - “**⚠ WARNING**” indicates points that you must observe to avoid risk of death or serious injury.
 - “**⚠ CAUTION**” indicates points that you must observe to avoid risk of injury.
 - **NOTICE** indicates points that you must observe to avoid damaging the product or causing it to malfunction.
 - **NOTE** indicates supplementary information that you will find useful.

Handling records

When you hold a record, you should either support the record’s label area and its outer edge, or hold the record’s outer edges between your two hands.



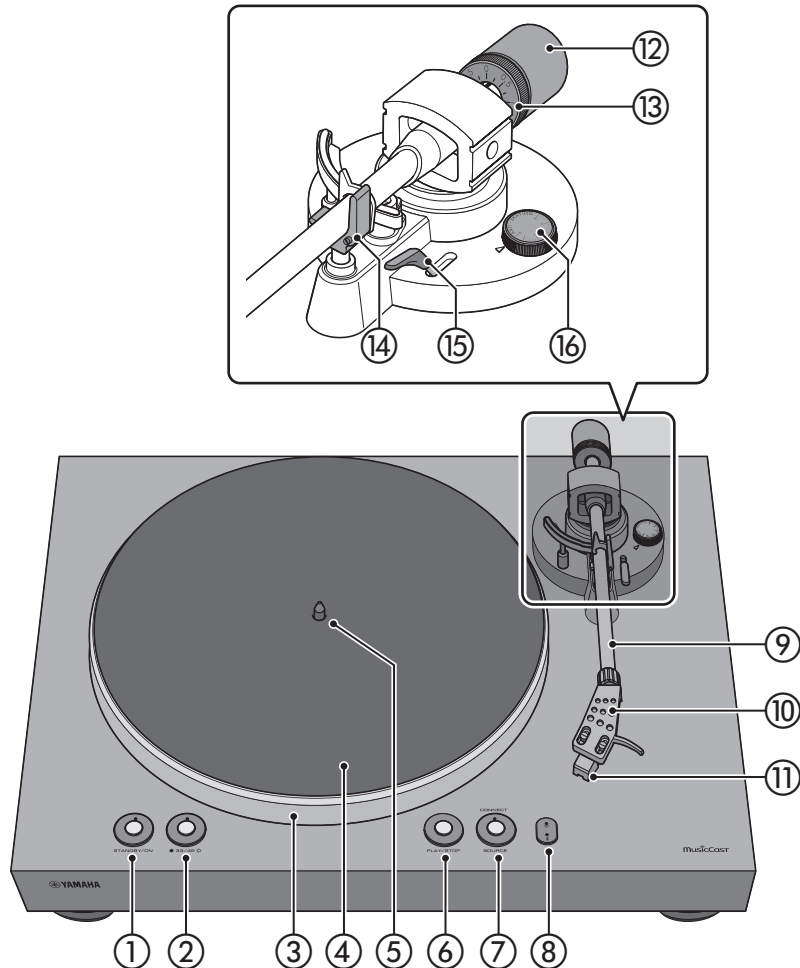
Check the supplied accessories

Make sure that all items are present.

<input type="checkbox"/> Platter x1 	<input type="checkbox"/> Platter sheet x1 	<input type="checkbox"/> Belt x1 * The belt is installed on the platter.
<input type="checkbox"/> Counter weight x1 	<input type="checkbox"/> Head shell x1 (with cartridge) 	<input type="checkbox"/> 45 rpm adaptor x1
<input type="checkbox"/> Dust cover x1 	<input type="checkbox"/> Dust cover hinge x2 	<input type="checkbox"/> RCA stereo cable x1
<input type="checkbox"/> AC adaptor x1 * For details, refer to the included “Supplement” (leaflet).	<input type="checkbox"/> Owner’s Manual (this manual) <input type="checkbox"/> Supplement (leaflet)	

Parts and their functions

Top panel



① STANDBY/ON (power)

This switches the unit's power between on and standby (off). (⇒ page 22)

STANDBY/ON (power) indicator

This indicates the status of the unit's power.

Lit: Power is on

Dimly lit: Power is in the network standby state (⇒ page 22)

Unlit: Power is in the eco standby state (⇒ page 22)

② 33/45 (speed) (⇒ page 26)

Speed indicator (⇒ page 26)

③ Platter (⇒ page 15)

④ Platter sheet (⇒ page 16)

⑤ Center spindle (⇒ page 15)

⑥ PLAY/STOP (play/stop) (⇒ page 26)

Makes the platter rotate or stop.

NOTE

- ◆ If the source (audio source) is network or Bluetooth, this plays/stops the network source.

⑦ SOURCE

Selects the source (audio source) for this unit. Each time you press this, the source alternates between PHONO, network, and Bluetooth.

NOTE

- ◆ The source can be switched if this unit's back panel audio output select switch is set to LINE OUT.

SOURCE indicator

The color of the indicator changes depending on the source.

Source	Indicator color
PHONO	White
network (AirPlay)	Pink
network (other than AirPlay)	Green
Bluetooth	Blue

NOTE

- ◆ When new firmware is provided, the indicator flashes orange. (⇒ page 34)

CONNECT

Use this when using MusicCast CONTROLLER to make network connection settings. (⇒ page 23)

⑧  (wireless LAN) indicator

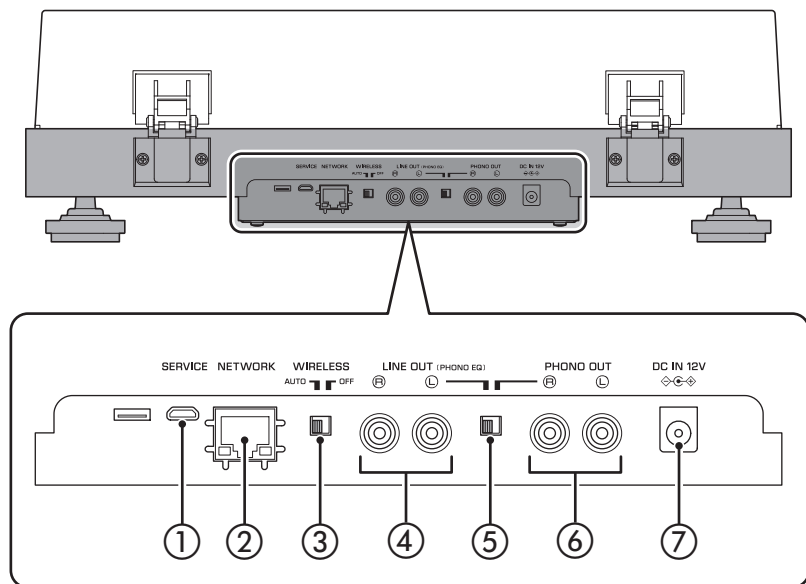
Lights when this unit connects wirelessly. (⇒ page 23)

 (Bluetooth) indicator

Lights when this unit connects to a Bluetooth device. (⇒ page 30)

⑨ Tone arm (⇒ page 16)**⑩ Head shell** (⇒ page 16)**⑪ Cartridge****⑫ Counter weight** (⇒ page 21)**⑬ Counter ring** (⇒ page 21)**⑭ Arm rest** (⇒ page 20)**⑮ Lift lever** (⇒ page 26)**⑯ Anti-skating** (⇒ page 22)

Back panel



- ① **SERVICE jack**
This jack is only for service. It is not normally used.
- ② **NETWORK jack**
Use a LAN cable (commercially available) to connect this to your network.
- ③ **WIRELESS switch**
Enables/disables this unit's wireless functionality (including Bluetooth).
AUTO (default): Wireless functionality is enabled.
OFF: Wireless functionality is disabled.
- ④ **LINE OUT jacks**
Output the playback audio from the record or the network source. (⇒ page 18)
- ⑤ **Audio output select switch**
Switches the audio output. (⇒ page 18)
LINE OUT (default): The signal from the cartridge is amplified by the phono equalizer that is built into this unit, and is output from the LINE OUT jacks.
PHONO OUT: The signal from the cartridge is output directly from the PHONO OUT jacks.
- ⑥ **PHONO OUT jacks**
These jacks output the playback audio of the record. (⇒ page 19)
- ⑦ **DC IN jack**
Connect the AC adaptor (included) to this jack. (⇒ page 18)

Getting ready

Location

Because record playback is easily affected by vibration, you should place the unit in a level location that is not subject to external vibration. Place it sufficiently far from your speaker system so that it will not be affected by sound pressure or vibration.

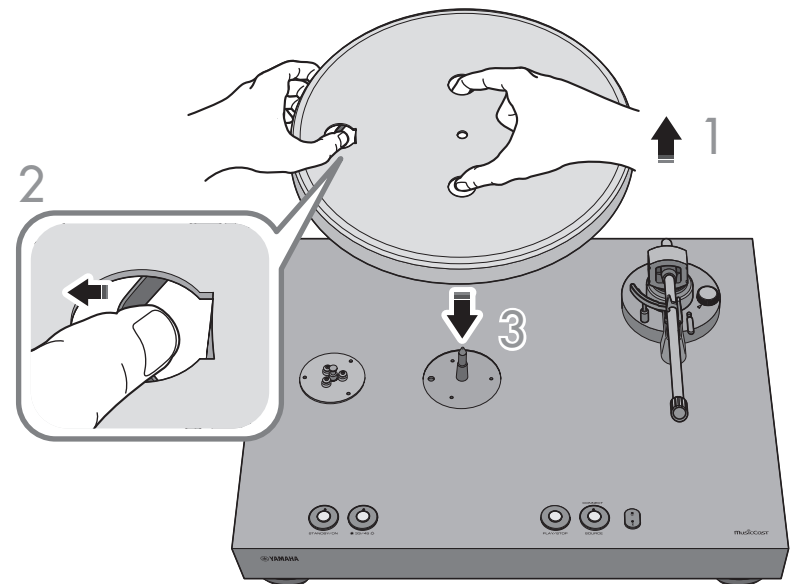
Assembly

Assembling the unit

- 1 Lift up the platter.
- 2 Reaching through the round hole in the platter, pull the belt outward, hooking it over your finger.
- 3 Insert the platter onto the center spindle.

CAUTION

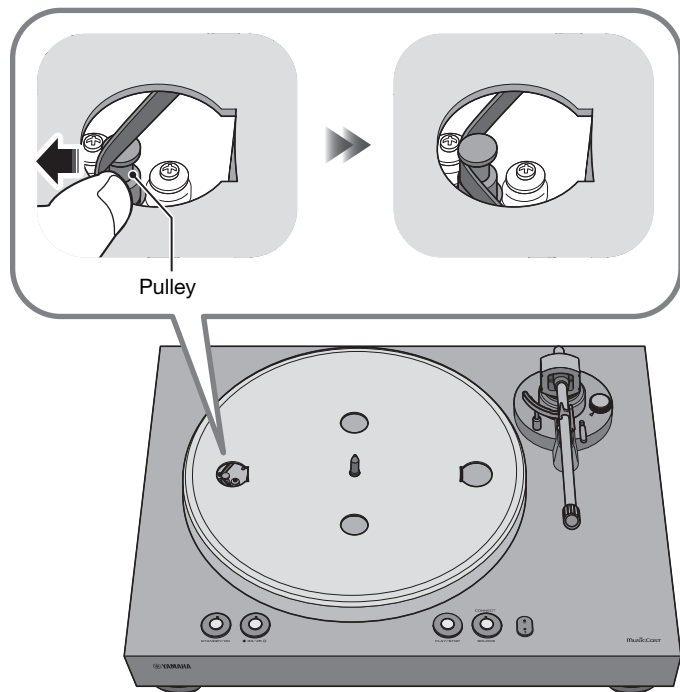
- ◆ Take care not to drop the platter. Dropping it might cause injury, or might damage the unit.



4 Align the round hole of the platter with the pulley.

5 Use your finger to hook the belt onto the pulley.

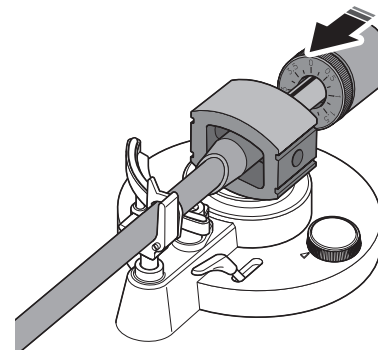
Take care that the belt is not twisted. After hooking the belt onto the pulley, rotate the platter several times to ensure that the belt is smoothly in place.



6 Place the platter sheet on the platter.

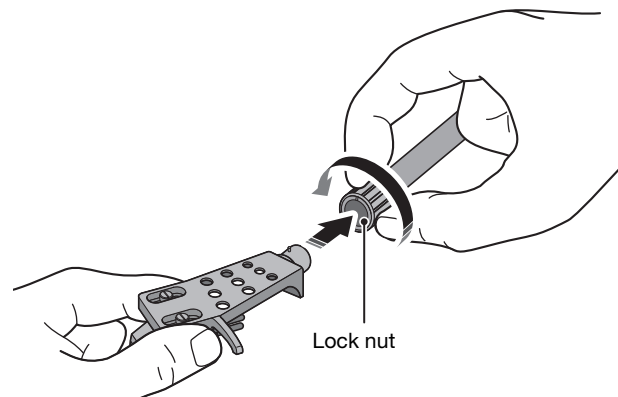
7 Attach the counter weight to the tone arm.

With the markings on the counter weight facing you, slide it onto the back end of the tone arm.



8 Attach the head shell to the tone arm.

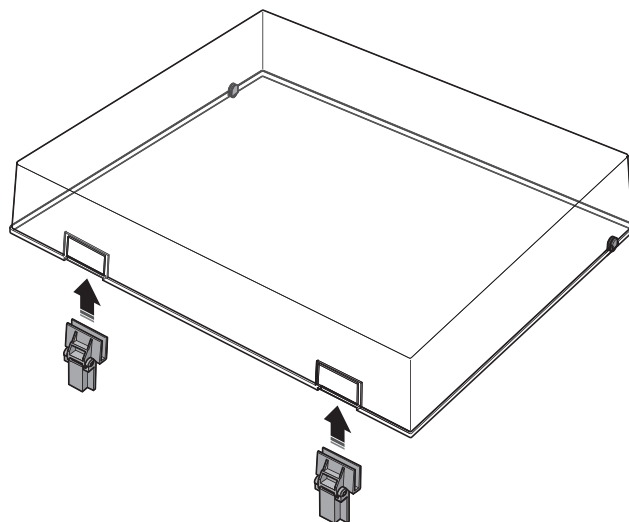
Insert the head shell into the front end of the tone arm, and turn the lock nut to secure it.



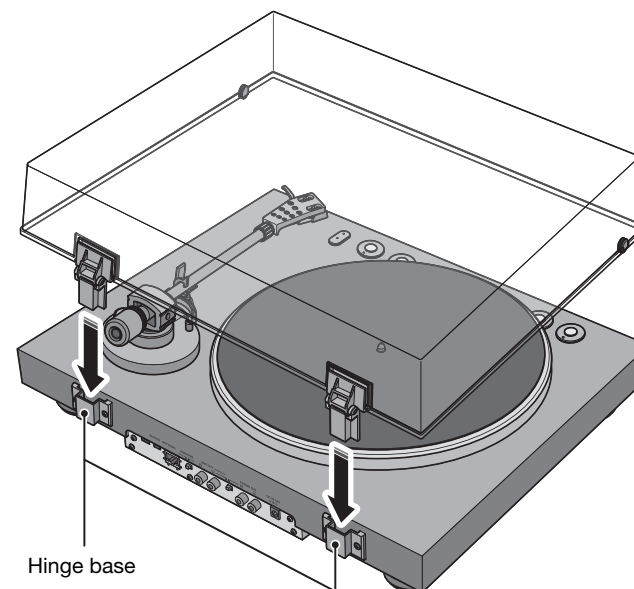
Attaching the dust cover

The dust cover protects this unit from dust etc.

- 1 Insert the hinges into the appropriate locations at two sides of the dust cover.



- 2 Attach the dust cover by inserting the hinges into the hinge bases located on the back panel of the unit.



NOTE

- ◆ To remove the dust cover, grasp the two sides of the dust cover and slowly lift upward to remove the cover together with its hinges.

CAUTION

- ◆ Take care not to pinch your hands or fingers when opening or closing the dust cover.

Making connections

Connecting to an amplifier

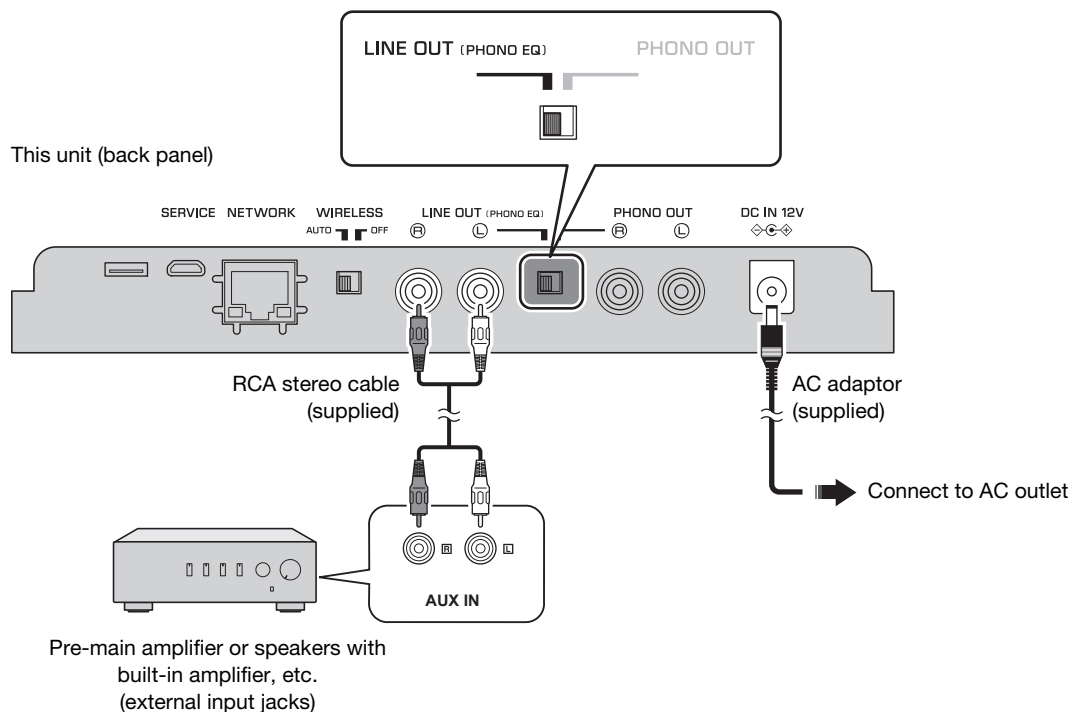
Make connections as shown in the following illustration.

CAUTION

- Do not plug the power cords of this unit and other connected devices into AC outlets until all connections and audio output select switch settings are complete.

■ If using this unit's LINE OUT jacks

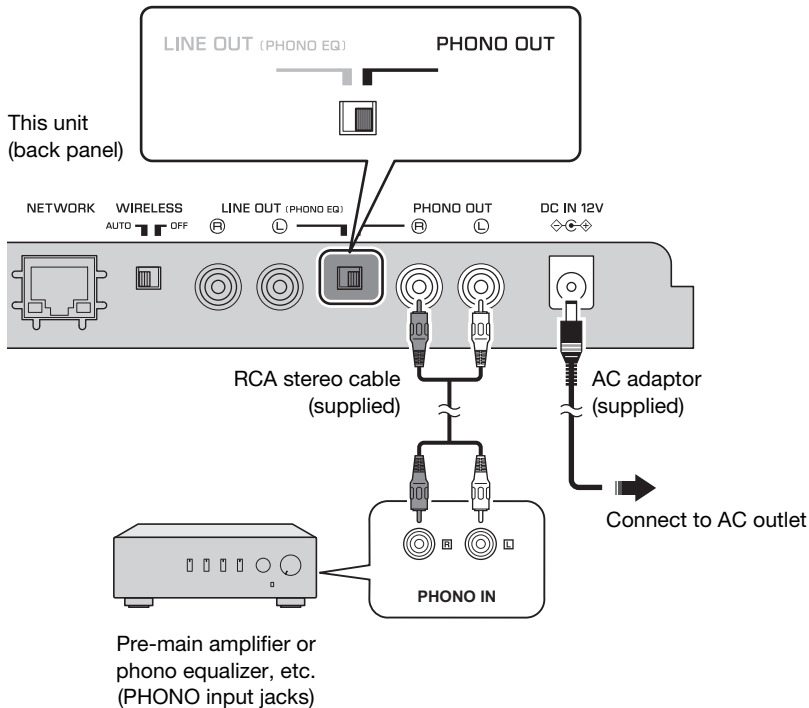
Sources that can be played back: Records, all network sources including internet radio, Bluetooth



■ If using this unit's PHONO OUT jacks

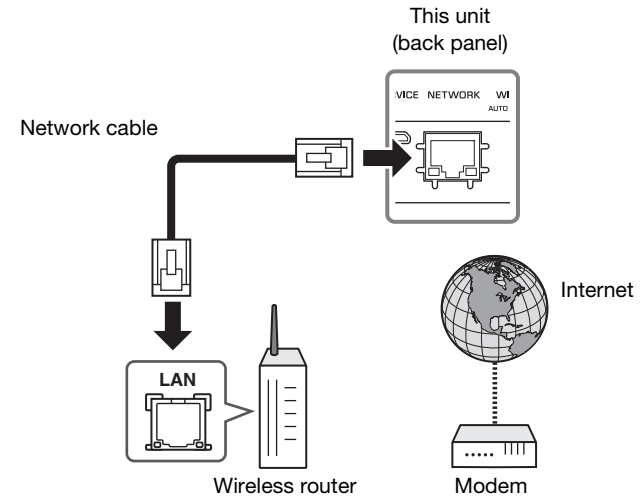
Sources that can be played back: Records

This unit's network functionality cannot be used.



Connecting a network cable

To use a wired connection to the network, connect this unit to your router using a commercially-available STP network cable (CAT-5 or higher straight cable). To connect wirelessly to the network, proceed to "Connecting the unit to the network" (⇒ page 23).



NOTE

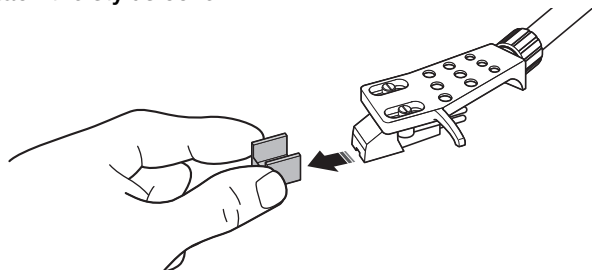
- ◆ Connect the network cable before you turn on the power of this unit.
- ◆ You can connect to the network via a wired connection regardless of whether the WIRELESS switch located on the back panel of this unit is set to AUTO or OFF. (⇒ page 14)
- ◆ If the unit is already wirelessly connected to the network, put this unit's power in standby mode, connect the network cable, turn the back panel WIRELESS switch OFF, and then turn on the power. (⇒ page 14)

Making adjustments

Adjusting the stylus pressure

Adjust the tone arm so that the appropriate stylus pressure is applied to the record.

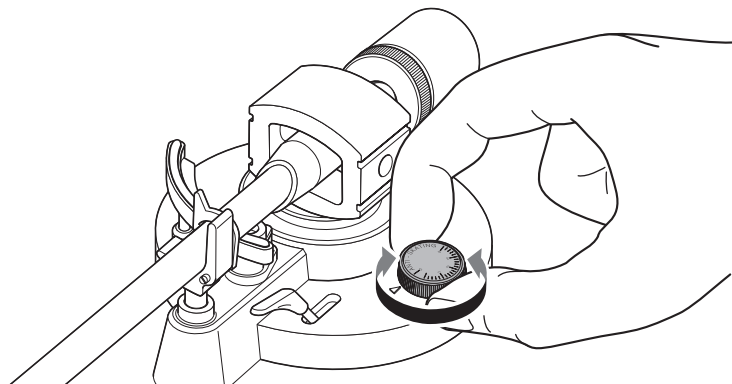
- 1 Detach the stylus cover.



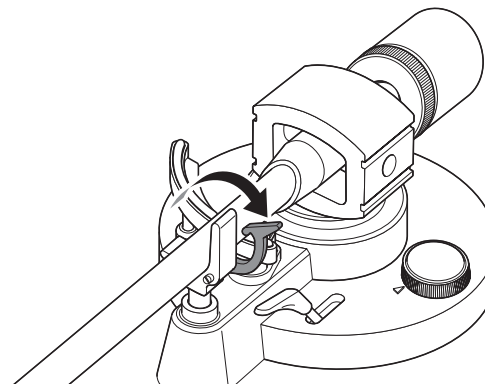
NOTICE

- ◆ Take care that the stylus cover or your finger do not contact the stylus.

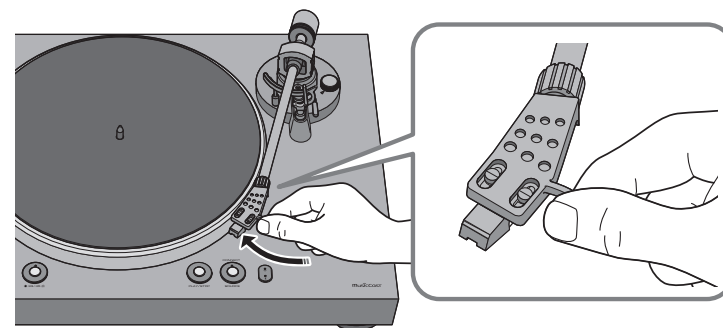
- 2 Set the anti-skating adjustment to the "0" position.



- 3 Release the tone arm lock.



- 4 Move the tone arm off of the arm rest and slightly to the left.



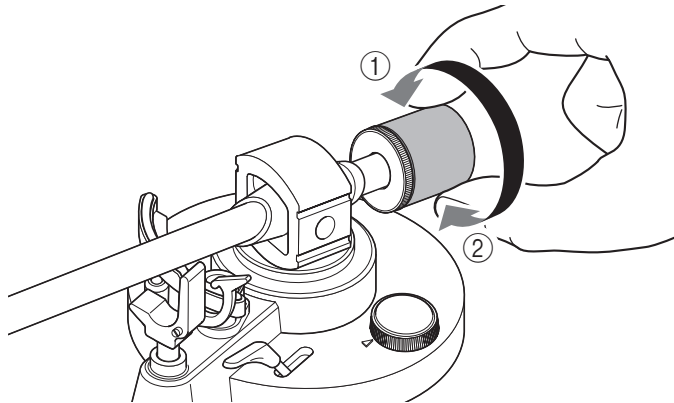
NOTICE

- ◆ Take care that the needle does not contact any part of the unit.

5 Turn the counter weight so that the tone arm is horizontal.

Toward ①: Counter weight moves forward on the tone arm.

Toward ②: Counter weight moves backward on the tone arm.



Correct



Tone arm is horizontal
(balanced)

Incorrect



Counter weight is too far
forward

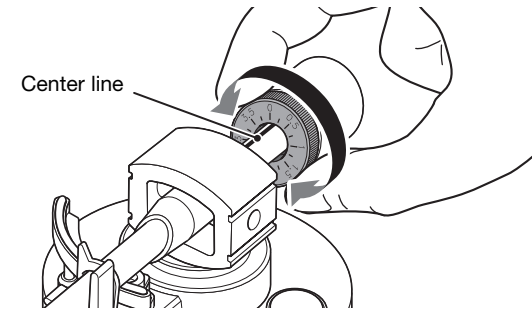
Incorrect



Counter weight is too far
backward

6 Return the tone arm to the arm rest, and lock it in place.

7 Turn the counter ring so that the “0” marking is aligned with the center line on the back end of the tone arm.

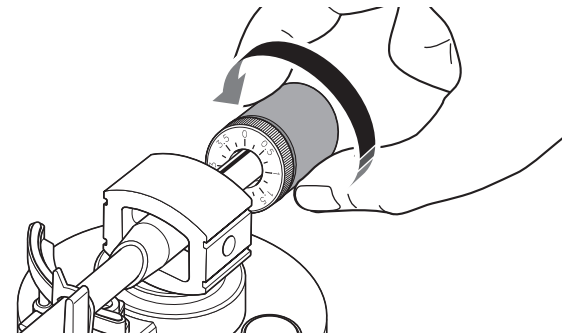


NOTE

- ◆ When turning the counter ring, use your fingers to press the counter weight so that it does not rotate.

8 By turning the counter weight, set the counter weight markings to the stylus pressure specified for the cartridge.

The specified stylus pressure for the supplied cartridge is 3.5 g.



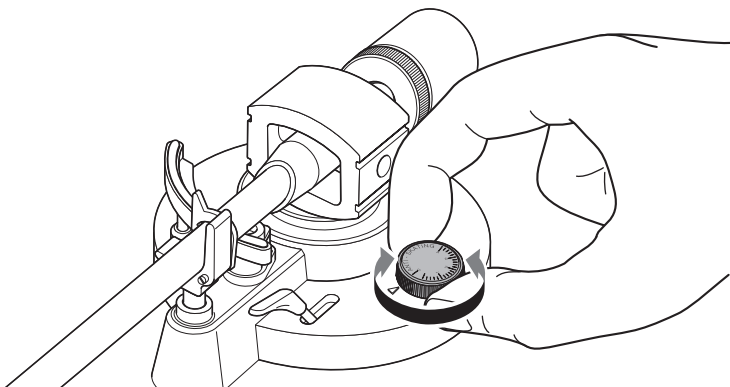
NOTE

- ◆ Turning the counter weight also turns the counter ring.

Adjusting the anti-skating

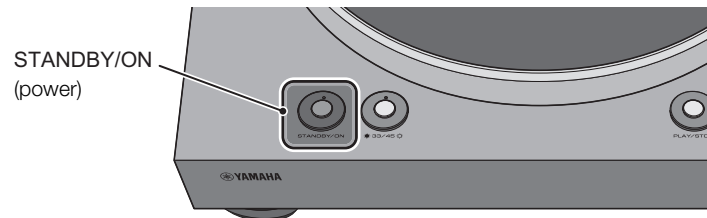
As the platter rotates, the tip of the stylus generates a force that pulls it toward the center of rotation. If the anti-skating value is set to the same value as the stylus pressure, a force is generated that pulls the tip of the stylus outward away from the center of rotation, and the two forces cancel each other.

- 1 Turn the anti-skating adjustment to the same value as the stylus pressure of the cartridge.




Turning the power on

On the top panel of the unit, press STANDBY/ON (power) to turn on the power of the unit. Press STANDBY/ON (power) once again to put the unit in standby mode.



NOTE

- ◆ When you first turn on the power after purchasing the unit or initializing it, the  (wireless LAN) indicator might flash. If it flashes, you can connect to the wireless network by sharing the network settings of your iOS device. (⇒ page 35) In order to enjoy music from a variety of network sources, use MusicCast CONTROLLER to connect to your network. (⇒ page 23)

About this unit's standby modes

This unit has two types of standby mode.

Network standby: This device's power can be turned on from a network device. (only when the audio output select switch is set to LINE OUT)

Eco standby: This mode reduces the standby power consumption.

NOTE

- ◆ If you want to switch to the eco standby setting, you can use your web browser to change the Standby setting. (⇒ page 33)
- ◆ If you want to temporarily switch to eco standby, hold down STANDBY/ON (power) for five seconds while the unit is powered-on. (only when the audio output select switch is set to LINE OUT)

Connecting the unit to the network

This section explains how to register the unit with MusicCast and set up the unit for the network connection.

Even if this device is connected to the network via a cable, MusicCast registration is necessary in order to play back network sources.

NOTE

- ◆ If you want to play high-resolution audio sources via the network, a wired connection is recommended for more stable playback. (⇒ page 19)
- ◆ Your mobile device must already be connected to the wireless LAN router (access point).

1 Install MusicCast CONTROLLER on your mobile device.

In the App Store or in Google Play, search for MusicCast CONTROLLER (free), and install it on your mobile device.

For more about MusicCast CONTROLLER, refer to the following website.

<https://www.yamaha.com/musiccast/>



MusicCast CONTROLLER is an app for controlling devices that support MusicCast. It allows you to share music between multiple MusicCast compatible devices that are placed in different rooms. You can use your smartphone or other mobile device as a remote controller, and easily select songs and make settings on the MusicCast compatible device.

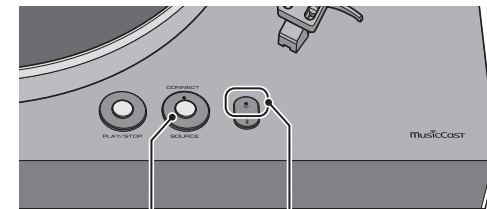
2 Start the MusicCast CONTROLLER on your mobile device, and then tap "Setup".




Tap here.

3 Operate MusicCast CONTROLLER as directed by the instructions that appear on the screen of your mobile device, and on the top panel of this unit, hold down the CONNECT button for five seconds.

The  (wireless LAN) indicator flashes.



CONNECT

 (wireless LAN) indicator


4 Follow the instructions on the display of the mobile device to operate MusicCast CONTROLLER to make the network settings.

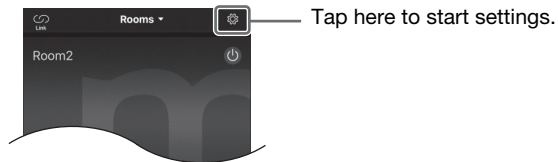
When this unit connects to the network, the  (wireless LAN) indicator is lit.

Now the unit is registered with MusicCast and the network settings are complete.

Use MusicCast CONTROLLER to play the music.

NOTE

- ◆ To set up additional MusicCast-compatible devices, tap the  (Settings) in the upper-right corner of the MusicCast CONTROLLER screen, and then select “Add New Device”.



Playback

Listening to a record

Here's how to play back a record.

■ Starting playback

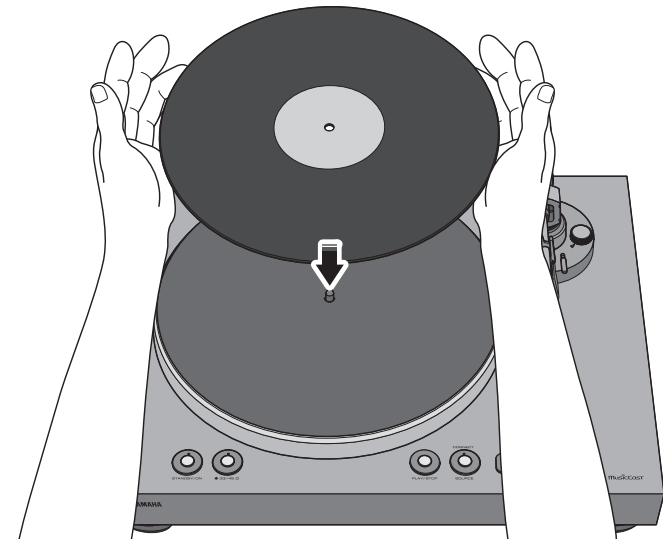
⚠ CAUTION

- ◆ If you play back a record without sufficiently lowering the volume of your amplifier, a loud sound might occur when the tip of the stylus contacts the record. This can cause hearing loss and might damage your amplifier and speaker, so be sure to lower the volume of your amplifier.
- ◆ If you are playing a record and the sound is being output from the LINE OUT jacks, the platter will stop when you switch the source from PHONO to network or Bluetooth.

NOTE

- ◆ MusicCast CONTROLLER cannot start/stop record playback or switch the speed.

- 1 **Open the dust cover, and place the record on the platter.**
If you're playing a 45 rpm record, use the included 45 rpm adaptor.



2 Press 33/45 (speed) to select the appropriate speed for the record.

The speed switches each time you press 33/45 (speed).

Speed indicator lit: 33 1/3 rpm

Speed indicator unlit: 45 rpm

3 Press SOURCE to switch the source to PHONO.

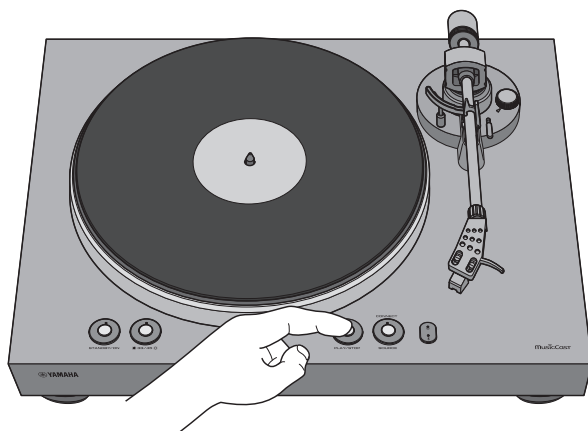
The SOURCE indicator is lit white.

NOTE

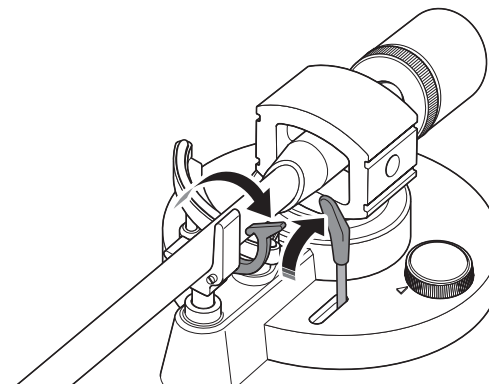
- ◆ If the audio output select switch is set to PHONO OUT, there's no need to switch the source.

4 Press PLAY/STOP (play/stop).

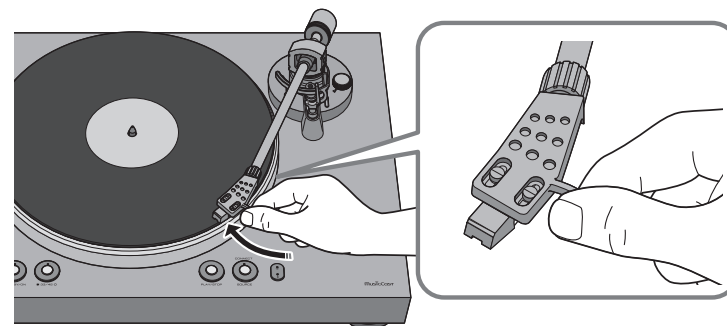
The platter rotates.



5 Release the tone arm lock, and raise the lift lever.

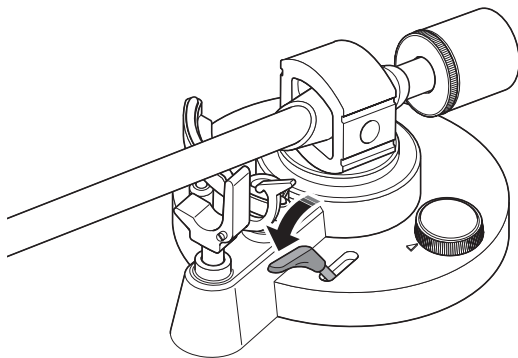


6 Move the tone arm to the playback position of the record.



7 Lower the lift lever.

The tone arm is lowered, and playback starts.



■ Pausing playback

If you raise the lift lever, the tone arm rises and playback pauses.

When you lower the lift lever, playback resumes.

■ Stopping playback

- 1 Raise the lift lever.
- 2 Return the tone arm to the arm rest.
- 3 Lower the lift lever.
- 4 Press PLAY/STOP (play/stop).
The platter stops rotating.
- 5 Lock the tone arm.

NOTE

- ◆ The tone arm does not automatically rise when the record finishes playing.
- ◆ If you will not be using the unit for a time, attach the cover to the stylus to protect it.

Listening to Internet radio

Here's how to select an internet radio station using the MusicCast CONTROLLER that's installed on your mobile device.

NOTE

- ◆ Before you select a station, register this unit with MusicCast. (⇒ page 23)
- ◆ Certain Internet radio stations might not be available at all times or during certain hours.
- ◆ This function uses the "airable.Radio" service. This service is provided by Tune In GmbH.
- ◆ This service may change or end without notice.

- 1 Use MusicCast CONTROLLER to select the room in which this unit is located (e.g., Room 1).
- 2 Tap "Net Radio".
- 3 Select the internet radio station to which you want to listen.

Listening to streaming services

You can listen to a streaming service using the MusicCast CONTROLLER that's installed on your mobile device. For details on streaming services, refer to the supplementary explanation(s) regarding the streaming service(s) that are available in your area. Access the Yamaha Downloads site to download the supplementary explanation(s).

<https://download.yamaha.com/>

NOTE

- ◆ Service is limited to certain areas.
- ◆ Services supported by the unit might not be available depending on the region in which the unit was purchased.
- ◆ The service may change or end without notice.

Playing music files stored on a media server (PC/NAS)

You can play music files stored on your PC or DLNA-compatible Network Attached Storage (NAS) device on the unit.

NOTE

- ◆ Audio may be interrupted while using a wireless network connection. In this case, use a wired network connection. (⇒ page 19)
- ◆ For information on the file format that can be played by the unit, please refer to “Supported devices and file formats” (⇒ page 43). Also, please refer to the specifications for the NAS device.

Media sharing setup

To play music stored on the PC (or NAS device) on the unit, you need to enable media sharing between this unit and the other devices.

■ For a PC that runs Windows Media Player

The setting procedure may vary depending on the PC or the version of Windows Media Player. The following instructions use Windows Media Player12 as an example.

NOTE

- ◆ The method will depend on the computer and the settings that you’re using. For details, refer to the manufacturer of your computer or to the Windows Media Player help.

- 1 Start Windows Media Player 12 on your PC.
- 2 Select “Stream”, then “Turn on media streaming”.
- 3 Click “Turn on media streaming”.

- 4 Select “Allowed” from the drop-down list next to the unit’s model name.

- 5 Click “OK” to exit.

■ For a PC or a NAS that runs DLNA server software other than Windows Media Player

Refer to the instruction manual for the device or software and configure the media sharing settings.

Playing music files

Here’s how to play back using the MusicCast CONTROLLER that’s installed on your mobile device.

NOTE

- ◆ Register the unit as a MusicCast-enabled device before playing music files. (⇒ page 23)

- 1 Use MusicCast CONTROLLER to select the room in which this unit is located (e.g., Room 1).
- 2 Tap “Server”.
- 3 Follow the on-screen instructions to select a song.

Listening to music via Bluetooth

You can play music files stored on a Bluetooth device (such as a smartphone) on the unit.

NOTE

- ◆ In order to use Bluetooth functionality, set the WIRELESS switch located on the back panel of this unit to AUTO. (⇒ page 14)
- ◆ For information on supported Bluetooth devices, refer to “Supported devices and file formats” (⇒ page 43).

1 On the top panel of this unit, press SOURCE to switch the source to Bluetooth.

The SOURCE indicator is lit blue.

2 On the Bluetooth device, turn the Bluetooth function on.

3 On the Bluetooth device, select this unit from the list of available devices.

When this unit connects to a Bluetooth device, the  (Bluetooth) indicator is lit.

NOTE

- ◆ If you are prompted to enter a passkey, enter the number “0000”.
- ◆ If the unit is registered as a MusicCast device, the room name will appear on the available device list.

4 On the Bluetooth device, select a song and start playback.

NOTE

- ◆ If the unit detects a Bluetooth device that was previously connected, the unit will automatically connect to the Bluetooth device after you perform Step 1. To establish another Bluetooth connection, first terminate the current Bluetooth connection.
- ◆ To terminate a Bluetooth connection, perform one of the following operations:
 - Disconnect from the Bluetooth device.
 - Select any option other than “Bluetooth” as the source for this unit.
- ◆ If you enable Bluetooth standby, this unit automatically turns on when a connect operation is performed on the Bluetooth device. (⇒ page 33)

Listening to music via AirPlay

You can use the AirPlay function to play iTunes or iOS device music files music files via a network.

NOTE

- ◆ If the iOS device does not recognize the unit, check your network environment (such as the router)
- ◆ For information on supported iOS devices, please refer to “Supported devices and file formats” (⇒ page 43).

1 Start iTunes, or display the Music playback screen on the iOS device.

Once the iTunes or iOS device recognizes the unit, the AirPlay icon appears.

E.g., (iOS 10)



E.g., (iTunes)



2 In iTunes or on the iOS device, click (tap) the AirPlay icon, and then select this unit as the output destination for the audio.

3 Select a song in iTunes or on the iOS device to start playback.

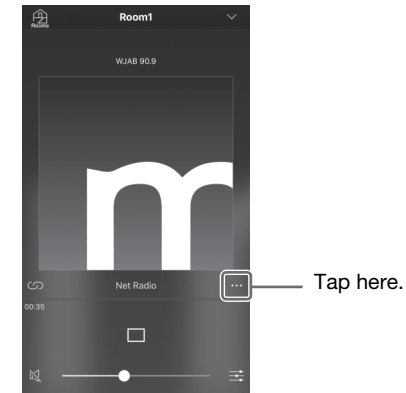
This unit's source automatically switches to network (Airplay), and playback starts.

The SOURCE indicator is lit pink.

Using MusicCast CONTROLLER to register favorites

You can register up to 40 favorite content items (songs stored on your PC and Internet Radio stations).

- 1 Play a song or an Internet Radio station that you want to register.
- 2 In the playback screen, tap ●●● and then tap “Add to favorites”.



■ Recalling registered content

- 1 Use MusicCast CONTROLLER to select the room in which this unit is located (e.g., Room 1).
- 2 Tap “Favorites”, and select the content that you want to play.



Detailed settings

Making settings via MusicCast CONTROLLER

You can use MusicCast CONTROLLER to make settings for a variety of functions.

Setting the sleep timer

This function automatically sets this unit's power to standby mode after the specified time has elapsed.

Settings: Off (default), 30 Min., 60 Min., 90 Min., 120 Min.

NOTE

- ◆ The sleep timer setting is canceled if you perform any of the following actions.
 - Set this unit's power to standby mode.
 - Unplug this unit from the AC outlet.
 - Switch the source to PHONO.
- ◆ The sleep timer cannot be used if the source is set to PHONO.

Enabling/disabling automatic playback

This function specifies whether songs from the computer (server) will play automatically when the source is switched to Server.

Settings

On (default): Automatic playback is enabled.

If the unit keeps a history of playback, the last item that was played will be played again. If such an item no longer exists, the unit will not play it.

Off: Automatic playback is disabled.

Enabling/disabling automatic standby

This function automatically sets the power to standby mode after the specified time has elapsed without any playback or operation being performed.

Settings

Off: Automatic standby is disabled.

On: Automatic standby is enabled.

If this unit has not been playing for the last 20 minutes, or has not been operated for the last eight hours, the power automatically switches to standby mode.

Default

U.K., Europe and Korea models: On

Other models: Off

NOTE

- ◆ Immediately before entering standby mode, the STANDBY/ON (power) indicator flashes.

Making settings via a web browser

You can use a web browser on your computer or other device to make settings for this unit and for the network connection. Here we explain the Standby setting.

Connect this unit to the network before you proceed with the following operations. (⇒ pages 19 and 23)

Accessing the settings screen

Here's how to access the settings screen on your computer.

- 1 Use MusicCast CONTROLLER to find out the IP address of this unit.
- 2 Start a web browser on your computer.
- 3 In the address bar of your web browser, enter the IP address that you found, and then press Enter.

The settings screen appears.

NOTE

- ◆ We do not guarantee that this will work with all devices or browsers.

■ Standby setting

Network Standby

Specifies whether this unit's power can be turned on from a network device.

Auto (default): Network standby is enabled.

If this unit is not connected to a network, network standby is automatically disabled. (This unit enters eco standby mode.)

On: Network standby is enabled. This setting will consume more power than the "Off" setting.

Off: Network standby is disabled. (This unit enters eco standby mode.)

Bluetooth Standby

Specifies whether this unit's power can be controlled from the Bluetooth device. If this setting is "On", this unit automatically turns on when a connect operation is performed on the Bluetooth device.

On (default): Bluetooth standby is enabled. (Only if the network standby setting is "Auto" or "On".)

Off: Bluetooth standby is disabled.



With an advanced energy saving design, this product achieves a low power consumption of not more than 2 watts when in Network Standby mode.



When necessary

Updating the firmware

New firmware that provides additional features or product improvements is released as needed. You can update the firmware using the MusicCast CONTROLLER that's installed on your mobile device.

When new firmware is available, the screen of MusicCast CONTROLLER shows the message "Update new firmware now?".

1 Tap "Yes".

Firmware update begins.


During the update, a progress bar is shown in the screen of MusicCast CONTROLLER, and the SOURCE indicator of this unit flashes light blue.

When the update is successful, the screen of MusicCast CONTROLLER indicates "Firmware update completed." and the SOURCE indicator of this unit is lit light blue.

NOTICE

- ◆ While the firmware is being updated, do not operate this unit or disconnect the AC adaptor or the network cable.

NOTE

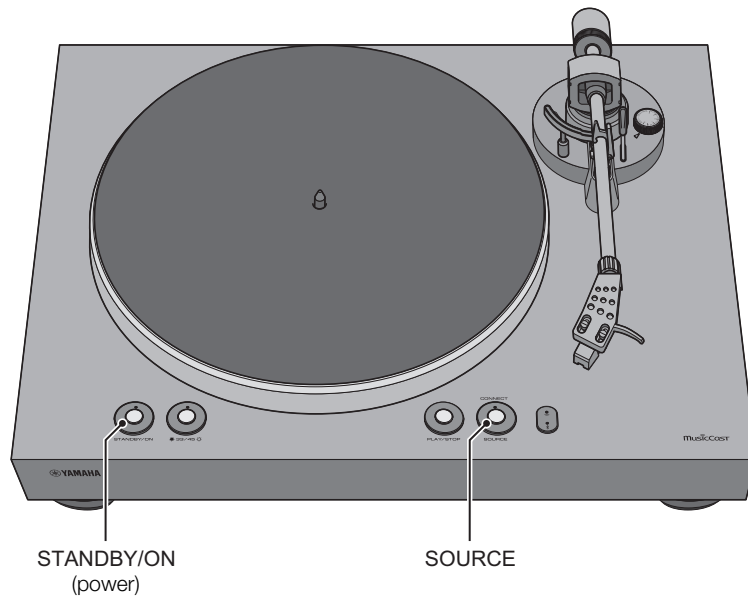
- ◆ If you chose "Later", tap  (Settings) in MusicCast CONTROLLER and choose "New firmware is available". Update the firmware as directed by the screen.
- ◆ When new firmware is available, the SOURCE indicator also flashes orange when the power of this unit is turned on.
- ◆ If you're not using MusicCast CONTROLLER, the firmware update starts when you hold down PLAY/STOP (play/stop) and press STANDBY/ON (power) while this unit's power is in standby mode.
- ◆ For more about the firmware, refer to the Yamaha website.

Initializing the settings


Here's how to initialize the settings of this unit.

- 1 Press **STANDBY/ON (power)** to put this unit's power in standby mode.
- 2 While holding down **SOURCE**, press **STANDBY/ON (power)** to turn on the power of this unit.

The settings will be initialized.



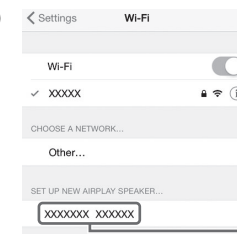
Connecting to a network using the WAC function

When you first turn on the power after purchasing the unit or initializing it, the  (wireless LAN) indicator will flash. (Except when the unit is already connected to the network via a cable, or when the audio output select switch is set to PHONO OUT) While it is flashing, you can connect to the wireless network by sharing the network settings of your iOS device (WAC function).

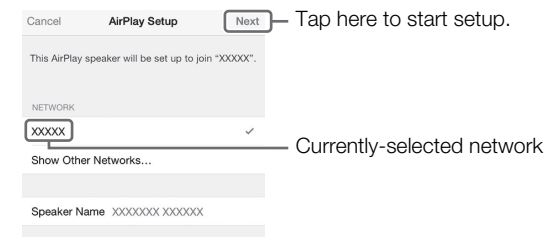
To use this function, proceed as follows.

- 1 In the Wi-Fi screen of your iOS device, select this unit as the AirPlay speaker.

E.g., (iOS 10)



- 2 Make sure that the "Network" field is set to your preferred network, and then tap "Next".



When the setup is complete, the unit will automatically connect to the selected network (access point).

Care

■ Caring for this unit

Wipe it with a soft dry cloth. Do not use chemicals such as benzine or thinner, since they might damage the surface.

■ Caring for the record stylus

The tip of the record stylus is extremely delicate. Handle it with care so that it is not damaged. If dust should adhere to the tip of the stylus, use a soft pointed brush to wipe it off starting at the base of the stylus and moving toward the tip, or use a commercially available cleaner made for that purpose.

■ Caring for records

Dirt adhering to a record can cause skips or noise. Use a commercially available record cleaner to remove dirt.

Replacement

Replacing the belt

Depending on the conditions of use, the belt can wear out or break. If this occurs, replace the belt. For a replacement belt, contact your nearest authorized Yamaha dealer or service center.

- 1 Turn off the power of this unit and of the connected devices, and disconnect this unit's AC adaptor from the AC outlet.
- 2 Remove the platter sheet from the platter.
- 3 Detach the belt from the pulley.
- 4 Insert your fingers into the round holes of the platter, and lift up the platter.



CAUTION

- ◆ Take care not to drop the platter. Dropping it might cause injury, or might damage the unit.

- 5 Turn the platter over, and remove the belt.
- 6 Install the replacement belt on the platter.
Take care that the belt is not twisted.
- 7 Install the platter on this unit.
For details on installation, refer to "Assembly" on page 15.

Replacing the record stylus

When the tip of the record stylus becomes worn down or damaged, replace it immediately.

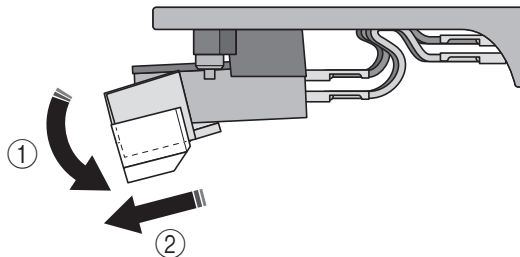
As the replacement stylus, please purchase an ATN3600L replacement stylus made by Audio-Technica.

⚠ CAUTION

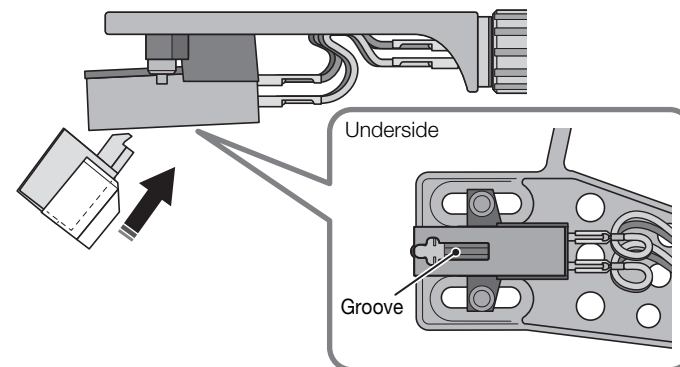
- ◆ Attach the stylus cover before replacing the stylus. The tip of the stylus might injure you, or it might become damaged.
- ◆ Take care that children do not swallow the stylus when it is removed.

1 Turn off the power of this unit and of the connected devices, and disconnect this unit's AC adaptor from the AC outlet.

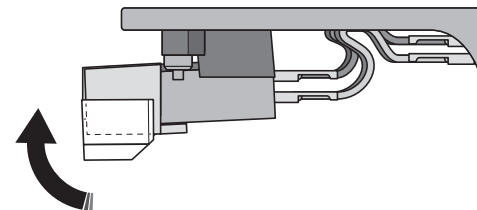
2 While using your fingers to hold the body of the cartridge, press the stylus down in the direction of ①, and pull it in the direction of ② to remove it.



3 While using your fingers to hold the body of the cartridge, insert the tab of the replacement stylus into the groove on the underside of the cartridge.



4 Press the stylus upward until you hear a click.



Moving this unit

When moving this unit, lock the tone arm so that it does not move.

Troubleshooting

If the unit stops operating correctly, check the following points.

If taking the appropriate action does not solve the problem, or if there is a problem not listed below, press the STANDBY/ON (power) button located on the unit's back panel to turn off the power, disconnect the power cord, and contact your nearest authorized Yamaha dealer or service center.

General

Problem	Cause	Action	Reference page
Pressing STANDBY/ON (power) does not turn on the power.	The AC adaptor has come unplugged from this unit's DC IN jack or from the AC outlet, or is not firmly plugged in.	Firmly plug the AC adaptor into this unit's DC IN jack and into an AC outlet.	18
When you press STANDBY/ON (power), the STANDBY/ON (power) indicator flashes and the power does not turn on.	The protection circuit operated three times in succession.	In order to protect the unit, the power will no longer turn on. Contact a Yamaha service center to have the unit repaired.	—
Pressing SOURCE does not switch the source.	The audio output select switch is set to PHONO OUT.	Set the audio output select switch to LINE OUT.	14
The platter does not rotate.	The belt is not correctly positioned on the platter and pulley, or the belt has come off.	Attach the belt correctly to the platter and the pulley.	15
	STANDBY/ON (power) is not on.	Turn STANDBY/ON (power) on.	22
No sound.	The head shell is not correctly attached to the tone arm.	Attach the head shell correctly to the tone arm.	16
	The RCA stereo cable is not connected correctly.	Connect the RCA stereo cable correctly.	18
	The mute setting of the amplifier is on.	Turn off the mute setting of the amplifier.	—
	The audio output select switch of this unit is set incorrectly.	Set the audio output select switch correctly for the device that is connected.	18

Problem	Cause	Action	Reference page
Volume is too weak or too loud.	The cartridge setting of the amplifier or phono equalizer is incorrect.	Set the cartridge setting of the amplifier or phono equalizer correctly for the type of cartridge that you're using (MM or MC).	—
	The audio output select switch is set incorrectly.	Set the audio output select switch correctly for the device that is connected.	18
Something is wrong with the left/right balance of the sound.	The unit is tilted.	Place the unit on a level location.	—
Playback speed is wrong.	The speed setting is incorrect.	Set the 33/45 (speed) setting correctly. This unit does not support playback of SP records (78 rpm).	12
Hum is audible.	The RCA stereo cable is not connected correctly.	Connect the RCA stereo cable correctly.	18
	The head shell is not firmly secured to the tone arm.	Use the lock nut to firmly secure the head shell to the tone arm.	16
Skips occur. Noise occurs. The sound is distorted.	The stylus pressure is not adjusted correctly.	Set the counter weight markings to the stylus pressure specified for the cartridge.	20
	The record is scratched or warped.	Do not use scratched or warped records.	—
	The record is dirty.	Use a commercially available record cleaner to clean the record.	—
	The record is statically charged.	Use an anti-static brush to remove the static charge.	—
	The stylus is dirty.	Remove the dirt from the stylus.	36
	The stylus is worn down.	Replace the stylus.	37
Feedback occurs.	The unit is placed in a location that is subject to vibration.	Place the unit in a level location that is not subject to vibration.	—
	The unit is too close to the speakers.	Locate the unit farther away from the speakers.	—
	The playback volume is too high.	Adjust the volume of the amplifier.	—

Bluetooth

Problem	Cause	Action	Reference page
Unable to pair the unit with the Bluetooth device.	The WIRELESS switch located on the back panel of this unit is turned OFF.	Set the WIRELESS switch located on the back panel of this unit to AUTO.	14
	The audio output select switch of this unit is set to PHONO OUT.	Set the audio output select switch of this unit to LINE OUT.	14
	Another Bluetooth device is already connected to this unit.	Disconnect the Bluetooth device that is currently paired, and then pair with the desired Bluetooth device.	30
	The unit and the Bluetooth devices are too far apart.	Move the Bluetooth device closer to the unit.	—
	Wireless communication is being obstructed by interference from a device that uses the 2.4 GHz frequency band (e.g., microwave oven or wireless LAN).	Move this unit or your Bluetooth device farther away from such devices. If your wireless LAN router supports the 5 GHz frequency band, switch to a connection that uses the 5 GHz frequency band.	—
	Your Bluetooth device does not support the A2DP protocol.	Use a Bluetooth device that supports the A2DP protocol.	—
	The connection profile registered in the Bluetooth device may not be functioning correctly for some reason.	Delete the Bluetooth profile in the Bluetooth device, and then connect the Bluetooth device to this unit.	—
	The passkey of the devices, such as a Bluetooth adaptor, that you want to pair with the unit is other than "0000".	Use a connecting device with a passkey "0000".	—
No sound can be heard, or the sound cuts off intermittently.	The volume level of the Bluetooth device is too low.	Increase the volume level of the Bluetooth device.	—
	The Bluetooth device is not set to send audio signals to this unit.	On the Bluetooth device, select this unit as the audio output destination.	30
	The Bluetooth connection has been cut.	Perform Bluetooth connection operations again.	30
	The unit and the Bluetooth devices are too far apart.	Move the Bluetooth device closer to the unit.	—
	Wireless communication is being obstructed by interference from a device that uses the 2.4 GHz frequency band (e.g., microwave oven or wireless LAN).	Move this unit or your Bluetooth device farther away from such devices. If your wireless LAN router supports the 5 GHz frequency band, switch to a connection that uses the 5 GHz frequency band.	—

Network

Problem	Cause	Action	Reference page
Unable to use the network function.	The network parameters (IP address) have not been obtained properly.	Enable the DHCP server function of your router.	—
	The audio output select switch of this unit is set to PHONO OUT.	Set the audio output select switch of this unit to LINE OUT.	14
	The WIRELESS switch located on the back panel of this unit is turned OFF.	Set the WIRELESS switch located on the back panel of this unit to AUTO.	14
	You are attempting to connect to an IPv6 type router.	This unit is not compatible with IPv6 networks. Connect it to an IPv4 network.	—
The unit is unable to connect to the Internet via a wireless LAN router (access point).	The wireless LAN router (access point) is turned off.	Turn on the power to the wireless LAN router (access point).	—
	The unit and the wireless LAN router (access point) are too far apart.	Place the unit and the wireless LAN router (access point) closer to each other.	—
	There is an obstacle between the unit and the wireless LAN router (access point).	Remove the obstruction that is between this unit and your wireless LAN router (access point).	—
The wireless network cannot be used.	A device emitting electromagnetic waves (such as a microwave oven, a wireless device and so on) may be located nearby.	When connecting the unit wirelessly, do not use it near devices that emit electromagnetic waves.	—
	Access to the network is restricted by the firewall settings of the wireless LAN router (access point).	Check the firewall settings of the wireless LAN router (access point).	—
The computer (server) cannot be detected.	The media sharing settings on the PC (or server) may be incorrect.	Modify the media sharing settings so that the unit will be able to access the folders on the PC (or server).	—
	Access is restricted due to the security settings on the PC (or server) or router.	Check the security settings on the PC (or server) or router.	—
	The unit and the PC are not connected to the same network.	Check the network connection and the router settings to make sure that they are connected to the same network.	—
Files on the PC (or server) are not displayed (or played back).	The file format is not supported by the unit or the PC (or server).	Be sure to use a file format that is supported by the unit and the PC.	43

Problem	Cause	Action	Reference page
Unable to play the Internet radio.	The selected Internet radio station is currently out of service.	There may be a network problem at the radio station, or the broadcasting service may have been stopped. Try to play the station later or select another station.	—
	The currently-selected radio station is broadcasting silence.	Some Internet radio stations broadcast silence at certain times of the day. In this case, there is no problem with the reception, but no audio will be produced. Try to play the station later or select another station.	—
	Access to the network is restricted by the firewall settings of the network devices (such as the router).	Check the firewall settings on your devices. The Internet radio can be played only through the port designated by each radio station. The port number varies depending on the radio station.	—
The iOS device does not detect the unit when using AirPlay.	You may be using a router that supports multiple SSIDs.	The router's network separator function may be blocking access to the unit. If you are connecting an iOS device to the unit, use an SSID that allows access to the unit. (Try to connect to the Primary SSID.)	—
The unit is not detected when using a dedicated application on a mobile device.	The unit and the mobile device are not on the same network.	Check the network connection and the router settings to make sure that they are connected to the same network.	—
	You may be using a router that supports multiple SSIDs.	The router's network separator function may be blocking access to the unit. If you are connecting an iOS device to the unit, use an SSID that allows access to the unit. (Try to connect to the Primary SSID.)	—
The firmware on this unit failed to update.	The network connection may not be good.	Try updating again after a while.	34
The unit is unable to connect to the wireless LAN router (access point).	MAC address filtering may have been enabled on the wireless LAN router (access point).	The unit is unable to connect to the router if MAC address filtering is enabled. Change the setting on the wireless LAN router (access point), and try to connect the unit again.	—

Supported devices and file formats

The following devices and file formats can be used by the unit.

Supported devices

■ Bluetooth devices

- ◆ You can use Bluetooth devices that support the A2DP protocol.
- ◆ Yamaha does not guarantee the connections of all Bluetooth devices.

■ AirPlay

AirPlay works with iPhone, iPad, and iPod touch with iOS 4.3.3 or later, Mac with OS X Mountain Lion or later, and PC with iTunes 10.2.2 or later.

Compatible models (as of July, 2018)

Made for.

iPhone X, iPhone 8 Plus, iPhone 8, iPhone 7 Plus, iPhone 7, iPhone SE, iPhone 6s Plus, iPhone 6s, iPhone 6 Plus, iPhone 6, iPhone 5s, iPhone 5c, iPhone 5, iPhone 4s

iPad Pro (10.5"), iPad Pro (12.9") 2nd Generation, iPad Pro (12.9") 1st Generation, iPad Pro (9.7"), iPad mini 4, iPad Air 2, iPad mini 3, iPad Air, iPad mini 2, iPad mini, iPad (5th generation), iPad (4th generation), iPad (3rd generation), iPad 2
iPod touch (6th generation), iPod touch (5th generation)

File formats

■ PC/NAS

File	Sampling frequency (kHz)	Bit depth (bit)	Bitrate (kbps)	Number of channels	Support for gapless playback
WAV *	32/44.1/48/ 88.2/96/ 176.4/192	16/24	-	2	✓
MP3	32/44.1/48	-	8–320	2	-
WMA	32/44.1/48	-	8–320	2	-
MPEG-4 AAC	32/44.1/48	-	8–320	2	-
FLAC	32/44.1/48/ 88.2/96/ 176.4/192	16/24	-	2	✓
ALAC	32/44.1/48/ 88.2/96	16/24	-	2	✓
AIFF	32/44.1/48/ 88.2/96/ 176.4/192	16/24	-	2	✓
DSD	2.8 MHz/ 5.6 MHz 11.2 MHz	1	-	2	-

* Linear PCM format only

- ◆ To play back FLAC files stored on your PC/NAS, you must install server software that supports the sharing of FLAC files via DLNA on your PC, or use a NAS device that supports FLAC files.
For more information, refer to the instruction manual for the server software.
- ◆ Digital Rights Management (DRM) encoded content cannot be played back.

Trademarks



Use of the Works with Apple badge means that an accessory has been designed to work specifically with the technology identified in the badge and has been certified by the developer to meet Apple performance standards.

Apple, iPad, iPad Air, iPad Pro, iPhone and iTunes are trademarks of Apple Inc., registered in the U.S. and other countries.

App Store is a service mark of Apple Inc.

Windows™

Windows is a registered trademark of Microsoft Corporation in the United States and other countries.

Internet Explorer, Windows Media Audio and Windows Media Player are either registered trademarks or trademarks of Microsoft Corporation in the United States and/or other countries.

Android™ Google Play™

Android and Google Play are trademarks of Google Inc.



The Wi-Fi CERTIFIED™ Logo is a certification mark of Wi-Fi Alliance®.

Wi-Fi, Wi-Fi CERTIFIED and Wi-Fi Protected Setup are registered trademarks or trademarks of Wi-Fi Alliance®.



The Bluetooth® word mark and logos are registered trademarks owned by Bluetooth SIG, Inc., and any use of such marks by Yamaha Corporation is under license. Other trademarks and trade names are those of their respective owners.



Yamaha Eco-Label is a mark that certifies products of high environmental performance.



MusicCast is a trademark or registered trademark of Yamaha Corporation.

Explanations regarding GPL/LGPL

This product utilizes GPL/LGPL open-source software in some sections.

You have the right to obtain, duplicate, modify, and redistribute only this open-source code.

For information on GPL/LGPL open source software, how to obtain it, and the GPL/LGPL license, refer to the Yamaha Corporation website:

<https://download.yamaha.com/sourcecodes/musiccast/>

Licenses

For information on the licenses of the third-party software in this product, refer to the following.

[http://\(IP address of this product*\)/licenses.html](http://(IP address of this product*)/licenses.html)

* IP address of this product is checked with MusicCast CONTROLLER.

Specifications

The specifications of this unit are as follows.

Platter section

Drive method	Belt drive
Motor	DC motor
Rotation Speed	33 1/3 rpm, 45 rpm
Rotation Speed Variation	±2%
Wow and flutter0.2%
Platter	Aluminium die-casting Diameter 30 cm

Tone arm section

Type	Static balance straight tone arm
Effective arm length223.5 mm
Stylus pressure adjustment range	0–4 g
Acceptable cartridge weight	15.5–19 g (including head shell)
Overhang	19 mm

Cartridge section

Type	MM type
Output voltage	2.5 mV (1 kHz, 3.54 cm/sec)
Stylus pressure3.5 ±0.5 g
Cartridge weight5.0 ±0.3 g
Cartridge Height17.0 ±0.7 mm
Head shell weight	10 g (including screws, nuts, and wires)

Input/output terminals

Analog audio (RCA Unbalanced)
PHONO OUT×1
LINE OUT×1
NETWORK (Wired) ×1 (100Base-TX/10Base-T)

Bluetooth

Sink Function	
Source Device to this unit (ex. Smartphone/Tablet)	
Supported codecSBC, AAC
Supported profileA2DP, AVRCP
Bluetooth versionVer. 4.2
Wireless outputBluetooth Class 2
Maximum communication distance10 m without interference

Network

AirPlay supported
Internet Radio

Wireless Network

Wireless Network Standards	IEEE 802.11 a/b/g/n/ac*
	* 20 MHz channel bandwidth only
Radio Frequency Band	2.4 GHz, 5 GHz
WPS (Wi-Fi Protected Setup)	
PIN method	
Available Security Method	
WEP	
WPA2-PSK (AES)	
Mixed Mode	

Audio section (Network, Bluetooth)

Output level (1 kHz, 0 dB, Fs 44.1 kHz)	2.0 ±0.3 V
Signal to Noise Ratio (IHF-A Network) (Infinity zero, Fs 44.1 kHz)	110 dB or higher
Dynamic range (1 kHz, -60 dB, Fs 44.1 kHz)	100 dB or higher
Harmonic Distortion (1 kHz, 0 dB, Fs 44.1 kHz)	0.003% or lower
Frequency Response	
Fs 44.1 kHz	2 Hz–20 kHz (+0/-3 dB)
Fs 48 kHz	2 Hz–24 kHz (+0/-3 dB)
Fs 96 kHz	2 Hz–48 kHz (+0/-3 dB)
Fs 192 kHz	2 Hz–96 kHz (+0/-6 dB)

Audio section (PHONO)

Output level	
PHONO OUT (1 kHz, 3.54 cm/sec)	2.5 mV ±3 dBV
LINE OUT	450 mV (-7 dBV)
Signal to Noise Ratio (A-weighted, 20 kHz LPF)	67 dB or higher

General

AC adaptor power supply	
Input	AC 100-240 V 50/60 Hz
Output	12 V 1 A
Power consumption	6 W
Eco standby	0.3 W
Network Standby On/Bluetooth Standby Off	
Wired	1.4 W
Wireless (Wi-Fi)	1.8 W
Network Standby On/Bluetooth Standby On	
Wired	1.6 W
Wireless (Wi-Fi)	1.8 W
Weight	5.7 kg
Dimensions (width × height × depth)	450 × 136 × 368 mm (including legs and protrusions)

- ◆ The contents of this manual apply to the latest specifications as of the publishing date. To obtain the latest manual, access the Yamaha website then download the manual file.

Ce produit est conçu pour l'écoute de sources audio dans le cadre domestique.

PRÉCAUTIONS D'USAGE

LISEZ ATTENTIVEMENT AVANT DE PROCÉDER À TOUTE UTILISATION. VEILLEZ À SUIVRE CES INSTRUCTIONS.

Les mises en garde énumérées ci-dessous sont destinées à prévenir les risques pour l'utilisateur et les tiers, à éviter les dommages matériels et à aider l'utilisateur à se servir de l'appareil correctement et en toute sécurité. Assurez-vous de suivre ces instructions.

Après avoir consulté ce manuel, conservez-le dans un endroit sûr de façon à pouvoir vous y reporter facilement.

- Veillez à faire inspecter ou réparer l'appareil par le revendeur auprès duquel vous l'avez acheté ou par un technicien Yamaha qualifié.
- Yamaha ne peut être tenu responsable des dommages corporels et matériels causés par une mauvaise manipulation de l'instrument ou par des modifications apportées à l'appareil.
- Ce produit est conçu pour un usage courant dans les résidences standard. Ne l'utilisez pas pour des applications nécessitant une haute fiabilité, telles que la gestion des gestes essentiels à la vie, des soins de santé ou des biens de grande valeur.



AVERTISSEMENT

Ce contenu indique « un risque de blessures graves ou de mort ».

Alimentation/adaptateur secteur

- Ne faites rien qui pourrait endommager le cordon d'alimentation.
 - Ne le placez pas à proximité d'un radiateur.
 - Évitez de le plier excessivement ou de le modifier.
 - Évitez de l'érafler.
 - Ne placez pas dessus d'objets lourds.

L'utilisation du cordon d'alimentation en ayant le conducteur du cordon exposé pourrait provoquer des chocs électriques ou un incendie.

- En cas de risque d'impact de foudre à proximité de l'appareil, évitez de toucher la fiche d'alimentation. Le non-respect de cette consigne peut entraîner des chocs électriques.
- Assurez-vous d'utiliser l'appareil avec la tension d'alimentation appropriée, telle qu'imprimée sur l'appareil. L'absence de raccordement à une prise secteur appropriée pourrait provoquer un incendie, des chocs électriques ou des dysfonctionnements.

- Veillez à utiliser l'adaptateur secteur fourni. Le non-respect de cette consigne peut entraîner un incendie, des brûlures ou des dysfonctionnements.
- Vérifiez périodiquement l'état de la prise électrique, dépoussiérez-la et nettoyez-la en prenant soin de retirer toutes les impuretés qui pourraient s'y accumuler. Le non-respect de cette consigne peut entraîner un incendie ou des chocs électriques.
- Lors de l'installation de l'appareil, assurez-vous que la prise secteur que vous utilisez est facilement accessible. En cas de problème ou de dysfonctionnement, désactivez immédiatement l'interrupteur d'alimentation et retirez la fiche de la prise secteur. Même lorsque l'interrupteur d'alimentation est en position désactivée, l'appareil n'est pas déconnecté de la source d'électricité tant que le cordon d'alimentation reste branché à la prise murale.
- Si vous entendez le tonnerre gronder ou suspectez l'imminence d'un éclair, mettez immédiatement l'appareil hors tension et débranchez la fiche d'alimentation de la prise secteur. Le non-respect de cette consigne peut entraîner un incendie ou des dysfonctionnements.

- Si vous prévoyez de ne pas utiliser l'appareil pendant une longue période de temps, assurez-vous de retirer la fiche d'alimentation de la prise secteur. Le non-respect de cette consigne peut entraîner un incendie ou des dysfonctionnements.

Démontage interdit

- Ne tentez pas de démonter ou de modifier l'appareil. Le non-respect de cette procédure risque d'entraîner un incendie, des chocs électriques, des blessures ou des dysfonctionnements. En cas d'anomalie, veuillez à faire inspecter ou réparer l'appareil par le revendeur auprès duquel vous l'avez acheté ou par un technicien Yamaha qualifié.

Avertissement relatif à la présence d'eau

- N'exposez pas l'appareil à la pluie, ne l'utilisez pas près d'une source d'eau ou dans un milieu humide et ne déposez pas dessus des récipients (tels que des vases, des bouteilles ou des verres) contenant des liquides qui risqueraient de s'infiltrer par les ouvertures ou de dégouliner. Toute infiltration de liquide tel que de l'eau à l'intérieur de l'appareil risque de provoquer un incendie, des chocs électriques ou des dysfonctionnements. Si un liquide, tel que de l'eau, pénètre à l'intérieur de l'appareil, mettez immédiatement ce dernier hors tension et débranchez le cordon d'alimentation de la prise secteur. Faites ensuite inspecter l'appareil par le revendeur auprès duquel vous l'avez acheté ou par un technicien Yamaha qualifié.

- N'essayez jamais de retirer ou d'insérer une fiche électrique avec les mains mouillées. Ne manipulez pas l'appareil en ayant les mains mouillées. Le non-respect de cette procédure risque d'entraîner des chocs électriques ou des dysfonctionnements.

Prévention contre les incendies

- Ne placez pas d'objets brûlants ou de flammes nues à proximité de l'appareil, au risque de provoquer un incendie.

Appareil sans fil

- N'utilisez pas cet appareil à proximité d'appareils médicaux ou au sein d'installations médicales. Les ondes radio transmises par l'appareil peuvent affecter les appareils électro-médicaux.
- N'utilisez pas cet appareil à moins de 15 cm des personnes disposant d'un stimulateur cardiaque ou d'un défibrillateur. Les ondes radio émanant de cet appareil peuvent affecter le fonctionnement des équipements électro-médicaux tels que les stimulateurs cardiaques ou les défibrillateurs cardiaques.

En cas d'anomalie

- Si l'un des problèmes suivants se produit, coupez immédiatement l'alimentation et retirez la fiche d'alimentation.
 - Le cordon/la fiche d'alimentation est endommagé(e).
 - Une odeur inhabituelle ou de la fumée se dégage de l'appareil.
 - Un corps étranger a pénétré à l'intérieur de l'appareil.
 - L'appareil est fissuré ou endommagé.

En continuant d'utiliser l'appareil dans ces conditions, vous risquez de provoquer des chocs électriques, un incendie ou des dysfonctionnements. Faites immédiatement inspecter ou réparer l'appareil par le revendeur auprès duquel vous l'avez acheté ou par un technicien Yamaha qualifié.

- Veuillez à ne pas faire tomber l'appareil ni son adaptateur secteur et à ne pas leur appliquer une pression excessive. Si vous suspectez que l'appareil a pu être endommagé à la suite d'une chute ou d'un impact, coupez immédiatement l'alimentation et retirez la fiche de la prise secteur. Le non-respect de cette procédure risque d'entraîner des chocs électriques, un incendie ou des dysfonctionnements. Faites immédiatement inspecter l'appareil par le revendeur auprès duquel vous l'avez acheté ou par un technicien Yamaha qualifié.



ATTENTION

Ce contenu indique « un risque de blessures ».

Alimentation/adaptateur secteur

- Ne couvrez pas et n'entourez pas l'adaptateur secteur avec un chiffon ou une couverture. Le non-respect de cette consigne peut provoquer la formation de chaleur à l'intérieur de l'appareil et cause une déformation en cas d'incendie.
- N'utilisez pas une prise secteur dans laquelle la fiche d'alimentation ne peut pas s'insérer fermement. Le non-respect de cette consigne peut entraîner un incendie, des chocs électriques ou des brûlures.

- Veillez à toujours saisir la fiche elle-même, et non le câble, pour la retirer de l'appareil ou de la prise secteur. Si vous tirez sur le cordon, vous risquez de l'endommager et de provoquer des chocs électriques ou un incendie.
- Introduisez complètement la fiche d'alimentation dans la prise secteur. L'utilisation de l'appareil alors que la fiche d'alimentation n'est pas complètement insérée dans la prise peut entraîner une accumulation de poussière sur la fiche et provoquer un incendie ou des brûlures.

Installation

- Ne placez pas l'appareil dans une position instable afin d'éviter qu'il ne tombe ou se renverse accidentellement et ne provoque des blessures.
- Lors de l'installation de l'appareil :
 - Évitez de couvrir l'appareil avec un tissu.
 - N'installez pas l'appareil sur une moquette ou un tapis.
 - Assurez-vous de disposer l'appareil en orientant sa face supérieure vers le haut ; ne le placez pas sur le côté ou à l'envers.
- Veillez à ce que la face supérieure soit orientée vers le haut. Le non-respect de cette consigne peut causer des dysfonctionnements ou entraîner la chute de l'appareil et causer des blessures.
- N'installez pas l'appareil dans des endroits où il pourrait entrer en contact avec des gaz corrosifs ou de l'air à haute teneur en sel, ou encore des endroits exposés à une fumée ou une vapeur excessive. Cela pourrait provoquer des dysfonctionnements.

- Évitez d'être à proximité de l'appareil lors de la survenue d'une catastrophe naturelle telle qu'un tremblement de terre. Compte tenu du risque de renversement ou de chute de l'appareil pouvant entraîner des blessures, pensez à vous éloigner rapidement de l'appareil et à vous réfugier dans un lieu sûr.
- Avant de déplacer l'appareil, veillez à désactiver l'interrupteur d'alimentation et à déconnecter tous les câbles de connexion. Le non-respect de cette consigne peut entraîner l'endommagement des câbles ou provoquer le trébuchement et la chute de l'utilisateur ou d'autres personnes.

Perte de capacités auditives

- Avant de raccorder l'unité à d'autres appareils, mettez tous les appareils concernés hors tension. Le non-respect de ces mesures peut provoquer une perte d'acuité auditive, entraîner un risque d'électrocution ou endommager l'appareil.
- Lorsque vous mettez le système audio sous tension, allumez toujours l'amplificateur ou le récepteur en DERNIER pour éviter d'endommager votre ouïe et les haut-parleurs. Lors de la mise hors tension, vous devez éteindre l'amplificateur ou le récepteur en PREMIER pour la même raison. Le non-respect des consignes précédentes risque d'entraîner une déficience auditive ou d'endommager le casque.

Entretien

- Retirez la fiche d'alimentation de la prise secteur avant de procéder au nettoyage de l'appareil. Le non-respect de cette consigne peut entraîner des chocs électriques.

Précautions d'utilisation

- Conservez les petites pièces hors de portée des enfants en bas âge. Vos enfants risquent de les avaler accidentellement.
- Évitez de faire ce qui suit :
 - vous mettre debout ou vous assoir sur l'appareil.
 - placer des objets lourds sur l'appareil.
 - disposer l'appareil en pile.
 - appliquer une force excessive sur les boutons, les commutateurs, les bornes d'entrée/sortie, etc.
 - vous appuyer sur l'appareil.
- Évitez de débrancher les câbles connectés afin de ne pas causer de blessures ou de dommages matériels qui pourraient résulter de la chute de l'appareil.

Avis

Indique les points que vous devez respecter afin d'éviter toute défaillance, dommage ou dysfonctionnement du produit et toute perte de données.

Alimentation/adaptateur secteur

- Si vous prévoyez de ne pas utiliser l'appareil pendant une longue période de temps, assurez-vous de retirer le cordon d'alimentation de la prise secteur. Une quantité infime de courant circule toujours dans l'appareil même après sa mise hors tension (en mode veille).

Installation

- N'utilisez pas l'appareil à proximité d'autres équipements électroniques, tels qu'un téléviseur, une radio ou un téléphone mobile. Si vous ne respectez pas cette consigne, l'appareil, le téléviseur ou la radio risquent de provoquer des interférences.
- N'utilisez pas l'appareil dans un emplacement exposé à la lumière directe du soleil, à une température très élevée (à proximité d'un appareil de chauffage) ou très basse, à un dépôt de poussière excessif ou à de fortes vibrations. Le non-respect de cette consigne peut entraîner la déformation du panneau de l'appareil, le dysfonctionnement de ses composants internes ou l'instabilité de ses opérations.
- Si vous utilisez une fonction sans fil, évitez d'installer cet appareil à proximité de parois métalliques ou de bureaux en métal, de fours à micro-ondes ou d'autres dispositifs de réseau sans fil.
Les obstructions pourraient raccourcir la distance de transmission.

Raccordements

- En cas de connexion d'unités externes, assurez-vous de lire attentivement le mode d'emploi de l'appareil concerné et reliez-le conformément aux instructions fournies.
La non-conformité aux instructions de manipulation peut provoquer le dysfonctionnement de l'appareil.

Manipulation

- Ne placez pas de produits en plastique ou en caoutchouc sur l'appareil. Le non-respect de cette consigne peut provoquer une décoloration ou une déformation du panneau de cet appareil.
- Si la température ambiante change radicalement (comme pendant le transport de l'appareil ou dans des conditions de surchauffe ou de refroidissement rapides) et que de la condensation se forme dans l'appareil, laissez-le hors tension pendant plusieurs heures jusqu'à ce qu'il soit complètement sec avant de le réutiliser. L'utilisation de l'appareil en cas de formation de condensation peut entraîner son dysfonctionnement.

Entretien

- Si la température ou le degré d'humidité change radicalement, des gouttelettes d'eau (de la condensation) pourrait se former sur la surface de l'appareil. En cas de formation de condensation, essuyez immédiatement la surface de l'appareil avec un chiffon doux et sec. Si la condensation n'est pas éliminée de la surface de l'appareil, elle risque d'être absorbée par les composants en bois, causant leur déformation.
- Utilisez un chiffon doux et sec pour le nettoyage de l'appareil. L'utilisation de produits chimiques tels que de la benzène ou du diluant, de produits d'entretien ou de chiffons de lavage chimique peut causer la décoloration ou la déformation de l'appareil.

Informations

À propos du contenu de ce manuel

- Les illustrations et les captures d'écran figurant dans ce manuel servent uniquement à expliciter les instructions.
- Les noms de société et les noms de produit mentionnés dans ce manuel sont des marques commerciales ou des marques déposées de leurs sociétés respectives.
- Le logiciel peut être révisé et mis à jour sans préavis.

■ À propos du nom de l'appareil

Le numéro de modèle, le numéro de série, l'alimentation requise, etc., se trouvent sur ou près de la plaque signalétique du produit, située dans la partie inférieure de l'unité. Notez le numéro de série dans l'espace fourni ci-dessous et conservez ce manuel en tant que preuve permanente de votre achat afin de faciliter l'identification du produit en cas de vol.

N° de modèle

N° de série

(bottom_fr_01)

[Modèle pour l'Europe]

Fonctions de communication sans fil

Bluetooth

Fréquence radio (fréquence opérationnelle) : 2402 MHz à 2480 MHz
Puissance de sortie maximale (PIRE) : 7,27 dBm

Wi-Fi (2,4 GHz)

Fréquence radio : 2402 MHz à 2482 MHz
Puissance de sortie maximale (PIRE) : 19,98 dBm

Wi-Fi (5 GHz)

Fréquence radio, puissance de sortie maximale (PIRE) :
5170 à 5250MHz, 22,03 dBm
5250 à 5330MHz, 22,27 dBm
5490 à 5710MHz, 24,56 dBm
5735 à 5835MHz, 13,96 dBm

- Les appareils sans fil transmettant sur une bande de fréquence de 5 GHz ne peuvent être utilisés qu'à l'intérieur. L'utilisation de tels appareils à l'extérieur est interdite par la loi.

Informations concernant la collecte et le traitement des piles usagées et des déchets d'équipements électriques et électroniques



Les symboles sur les produits, l'emballage et/ou les documents joints signifient que les produits électriques ou électroniques usagés ainsi que les piles usagées ne doivent pas être mélangés avec les déchets domestiques habituels.



Pour un traitement, une récupération et un recyclage appropriés des déchets d'équipements électriques et électroniques et des piles usagées, veuillez les déposer aux points de collecte prévus à cet effet, conformément à la réglementation nationale.

En vous débarrassant correctement des déchets d'équipements électriques et électroniques et des piles usagées, vous contribuerez à la sauvegarde de précieuses ressources et à la prévention de potentiels effets négatifs sur la santé humaine qui pourraient advenir lors d'un traitement inapproprié des déchets.

Pour plus d'informations à propos de la collecte et du recyclage des déchets d'équipements électriques et électroniques et des piles usagées, veuillez contacter votre municipalité, votre service de traitement des déchets ou le point de vente où vous avez acheté les produits.



Pour les professionnels dans l'Union européenne :

Si vous souhaitez vous débarrasser des déchets d'équipements électriques et électroniques, veuillez contacter votre vendeur ou fournisseur pour plus d'informations.



Informations sur la mise au rebut dans d'autres pays en dehors de l'Union européenne :

Ces symboles sont seulement valables dans l'Union européenne. Si vous souhaitez vous débarrasser de déchets d'équipements électriques et électroniques ou de piles usagées, veuillez contacter les autorités locales ou votre fournisseur et demander la méthode de traitement appropriée.

Cd

Note pour le symbole « pile » (deux exemples de symbole ci-dessous) :

Ce symbole peut être utilisé en combinaison avec un symbole chimique. Dans ce cas, il respecte les exigences établies par la directive européenne relative aux piles pour le produit chimique en question.

(weee_battery_eu_fr_02)



Table des matières

Prise en main 8

Fonctions de cette unité	8
À propos de ce manuel	9
Manipulation des disques vinyle	9
Vérification du contenu	9
Fonctions et éléments de l'unité	10
Panneau supérieur	10
Panneau arrière	12

Préparatifs 13

Emplacement	13
Montage	13
Montage de l'unité	13
Montage du capot	15
Effectuer les connexions	16
Connexion à un amplificateur	16
Raccordement d'un câble réseau	17
Effectuer les réglages	18
Réglage de la pression du diamant	18
Réglage du dispositif anti-skating	20
Mise sous tension	20
À propos des modes de veille de cette unité	20
Connexion de l'unité au réseau	21

Lecture 23

Écouter un disque vinyle	23
Écoute de la radio Internet	26
Écoute de services de diffusion	26
Lecture de fichiers musicaux stockés sur un serveur multimédia (PC/NAS)	27
Configuration de partage de support	27
Lecture de fichiers musicaux	27
Écoute de musique via Bluetooth	28
Écoute de musique avec AirPlay	29
Mémorisation de favoris avec MusicCast CONTROLLER	29

Réglages approfondis 30

Effectuer des réglages avec MusicCast CONTROLLER	30
Réglage de la minuterie	30
Activation/désactivation de la lecture automatique	30
Activation/désactivation de la veille automatique.	30
Effectuer des réglages avec un navigateur Internet	31
Affichage de l'écran des paramètres	31

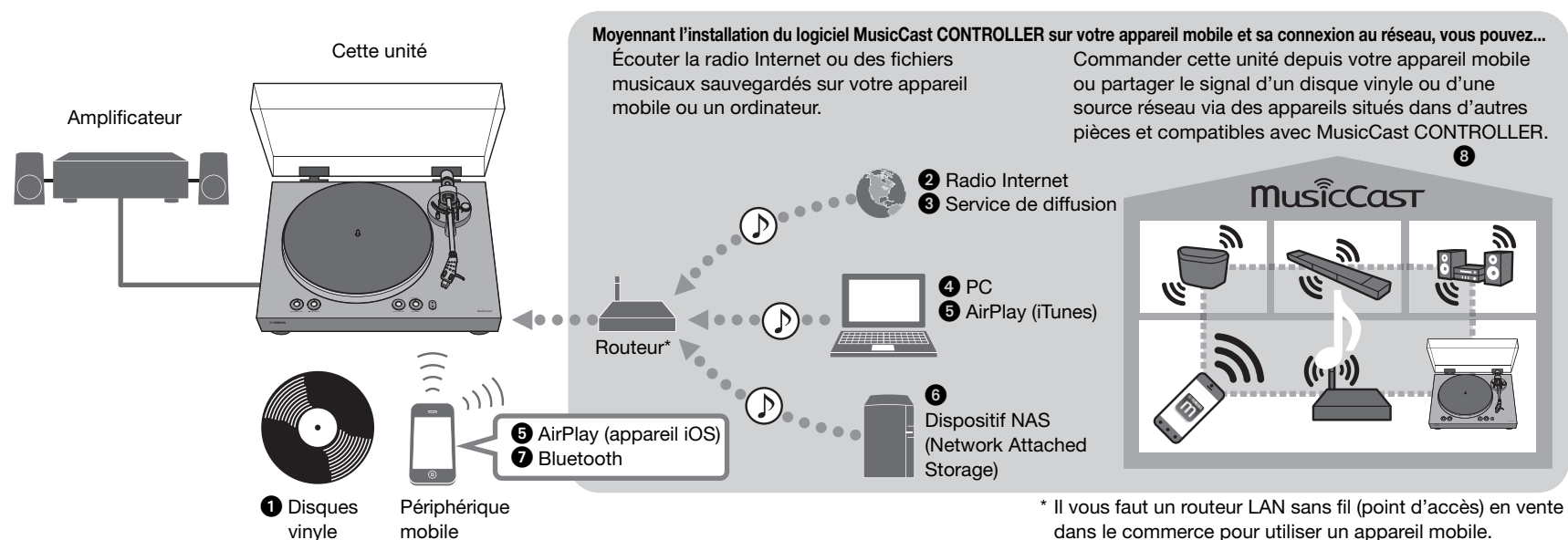
En cas de nécessité 32

Mise à jour du microprogramme	32
Initialisation des paramètres	33
Connexion à un réseau via la fonction WAC	33
Soin et entretien	34
Remplacement de pièces	34
Remplacement de la courroie	34
Remplacement du diamant	35
Déplacement de l'unité	35
Résolution des problèmes	36
Généralités	36
Bluetooth	38
Réseau	39
Appareils et formats de fichiers compatibles	41
Appareils compatibles	41
Formats de fichier	41
Marques commerciales	42
Caractéristiques techniques	43

Prise en main

Fonctions de cette unité

Outre la lecture de disques vinyle, cette platine vinyle connectée prend en charge la lecture de sources réseau telles que des serveurs multimédias ou appareils mobiles.



❶ Lecture de disques vinyle (⇒ page 23)

❷ Écoute de la radio Internet (⇒ page 26)

❸ Écoute de services de diffusion (⇒ page 26)

❹ Lecture de fichiers musicaux stockés sur votre PC (⇒ page 27)

❺ Lecture de fichiers musicaux via AirPlay (⇒ page 29)

❻ Lecture de fichiers musicaux stockés sur un dispositif NAS (Network Attached Storage) (⇒ page 27)

❼ Lecture de contenus audio stockés sur un dispositif Bluetooth (⇒ page 28)

❽ Lecture de musique via MusicCast CONTROLLER (⇒ page 21)

À propos de ce manuel

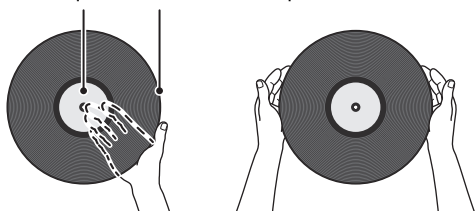
Veillez garder les points suivants à l'esprit quand vous lisez ce manuel.

- ◆ Les spécifications techniques et l'aspect du produit peuvent être modifiés sans préavis en vue d'améliorations du produit.
- ◆ Dans ce manuel, les dispositifs iPhone, iPad et iPod touch sont désignés collectivement par l'appellation « appareil iOS ».
- ◆ Ce manuel contient des exemples d'écran de l'application MusicCast CONTROLLER affichés en anglais sur un iPhone.
- ◆ Description des symboles graphiques utilisés dans ce mode d'emploi :
 - « **AVERTISSEMENT** » indique des consignes que vous devez observer pour éviter les risques de décès ou de blessures graves.
 - « **ATTENTION** » indique des consignes que vous devez observer pour éviter les risques de blessures.
 - **AVIS** indique des consignes que vous devez observer pour éviter d'endommager le produit ou de causer un fonctionnement incorrect.
 - **NOTE** indique des informations complémentaires qui vous seront utiles.

Manipulation des disques vinyle

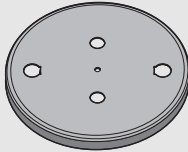
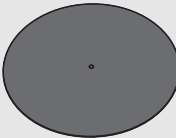
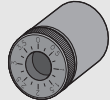
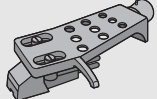
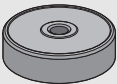
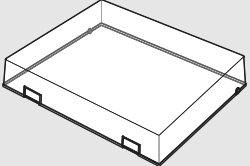
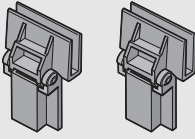
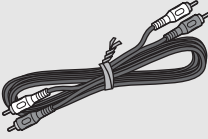
Pour manipuler un disque vinyle, saisissez-le en posant le pouce contre sa tranche et les autres doigts de la même main sur son étiquette, ou tenez le disque en maintenant sa tranche des deux mains.

Étiquette du disque Tranche du disque



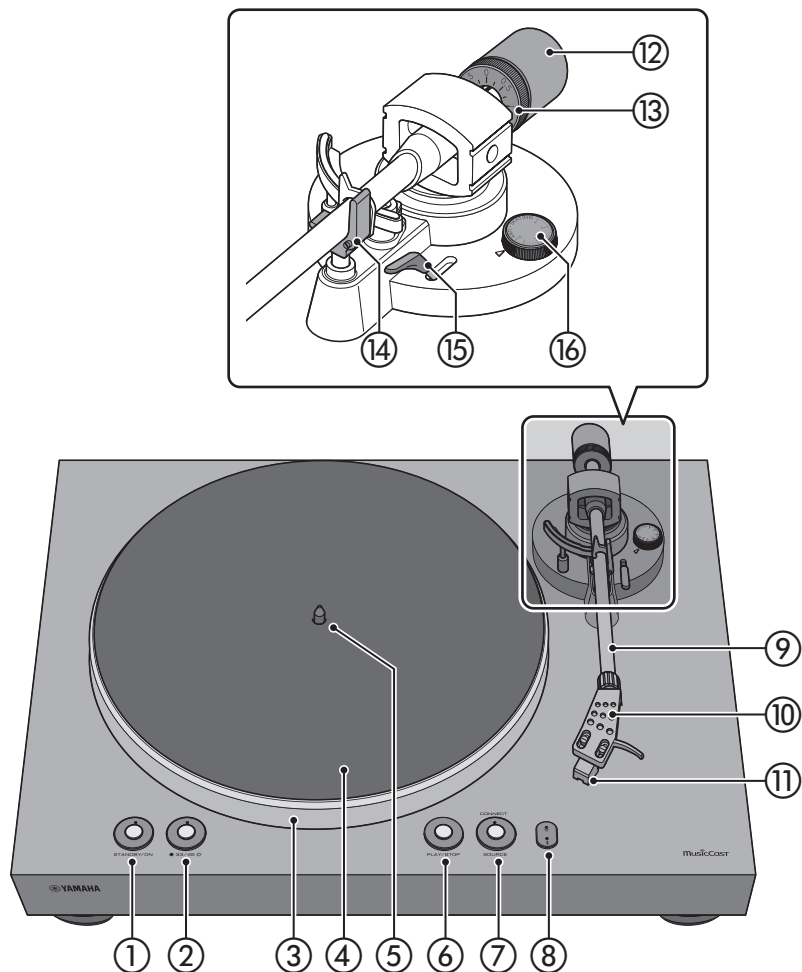
Vérification du contenu

Assurez-vous que l'emballage contient tous les éléments suivants.

<input type="checkbox"/> Plateau x1 	<input type="checkbox"/> Couvre-plateau x1 	<input type="checkbox"/> Courroie x1 * La courroie est installée sur le plateau.
<input type="checkbox"/> Contrepoids x1 	<input type="checkbox"/> Porte-cellule x1 (avec cellule) 	<input type="checkbox"/> Adaptateur centreur 45 tours x1 
<input type="checkbox"/> Capot x1 	<input type="checkbox"/> Charnière de capot x2 	<input type="checkbox"/> Câble stéréo RCA/Cinch x1 
<input type="checkbox"/> Adaptateur secteur x1 * Pour des détails, voyez le « Complément d'informations » fourni.	<input type="checkbox"/> Mode d'emploi (ce manuel) <input type="checkbox"/> Complément d'informations (dépliant)	

Fonctions et éléments de l'unité

Panneau supérieur



① STANDBY/ON (alimentation)

Met la platine sous tension et hors tension (veille). (⇒ page 20)

Témoin STANDBY/ON (alimentation)

Indique le statut d'alimentation de l'unité.

Allumé : alimentation activée

Faiblement éclairé : En mode de veille réseau (⇒ page 20)

Éteint : En mode de veille éco (⇒ page 20)

② 33/45 (tours) (⇒ page 24)

Témoin de vitesse (⇒ page 24)

③ Plateau (⇒ page 13)

④ Couvre-plateau (⇒ page 14)

⑤ Axe de plateau (⇒ page 13)

⑥ PLAY/STOP (lecture/arrêt) (⇒ page 24)

Démarre ou arrête la rotation du plateau.

NOTE

- ◆ Si la source (audio) réseau ou Bluetooth est choisie, ce bouton démarre/arrête la lecture de la source réseau.

⑦ SOURCE

Sélectionne la source (audio) pour cette unité. Chaque pression sur ce bouton active alternativement la source PHONO, réseau et Bluetooth.

NOTE

- ◆ Pour pouvoir changer de source, il faut que le sélecteur de sortie audio sur le panneau arrière de cette unité soit sur LINE OUT.

Témoin SOURCE

La couleur de ce témoin change selon la source sélectionnée.

Source	Couleur du témoin
PHONO	Blanc
réseau (AirPlay)	Rose
réseau (autre que AirPlay)	Vert
Bluetooth	Bleu

NOTE

- ◆ Quand un nouveau microprogramme est disponible, le témoin clignote en orange. (⇒ page 32)

CONNECT

Cette fonction est utilisée pour effectuer les réglages de connexion réseau avec MusicCast CONTROLLER. (⇒ page 21)

⑧ Témoin  (LAN sans fil)

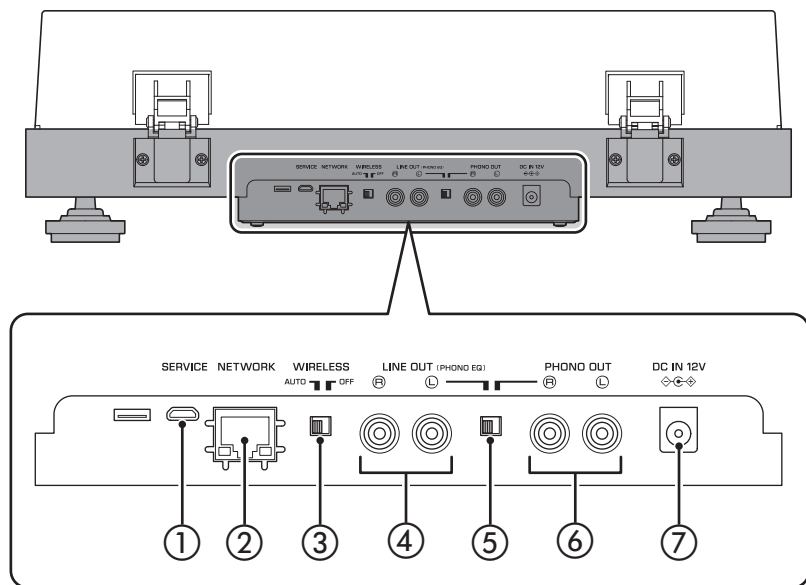
S'allume quand cette unité se connecte sans fil. (⇒ page 21)

Témoin  (Bluetooth)

S'allume lorsque cette unité se connecte à un dispositif Bluetooth. (⇒ page 28)

⑨ Bras de lecture (⇒ page 14)**⑩ Porte-cellule (⇒ page 14)****⑪ Cellule****⑫ Contrepoids (⇒ page 19)****⑬ Bague graduée du contrepoids (⇒ page 19)****⑭ Repose-bras (⇒ page 18)****⑮ Lève-bras (⇒ page 24)****⑯ Dispositif anti-skating (⇒ page 20)**

Panneau arrière



① Prise SERVICE

Cette prise est réservée aux opérations d'entretien. Elle n'est pas utilisée en temps normal.

② Prise NETWORK

Reliez cette prise à votre réseau avec un câble LAN (disponible dans le commerce).

③ Interrupteur WIRELESS

Active/désactive la fonction sans fil (y compris la connexion Bluetooth) de cette unité.

AUTO (par défaut) : La fonction sans fil est active.

OFF : La fonction sans fil est désactivée.

④ Prises LINE OUT

Restituent le signal de lecture du disque vinyle ou de la source réseau. (⇒ page 16)

⑤ Sélecteur de sortie audio

Sélectionne la sortie audio. (⇒ page 16)

LINE OUT (par défaut) : Le signal de la cellule est amplifié par le préampli phono intégré à cette unité et restitué par les prises LINE OUT.

PHONO OUT : Le signal de la cellule est directement restitué par les prises PHONO OUT.

⑥ Prises PHONO OUT

Ces prises restituent le signal audio du disque vinyle. (⇒ page 17)

⑦ Prise DC IN

Reliez l'adaptateur secteur (fourni) à cette prise. (⇒ page 16)

Préparatifs

Emplacement

Vu que les vibrations affectent facilement la lecture de disques vinyle, veillez à poser cette unité sur une surface de niveau et à l'abri de toute vibration. Positionnez l'unité suffisamment à l'écart des enceintes afin d'éviter que la pression sonore ou des vibrations n'affectent la lecture.

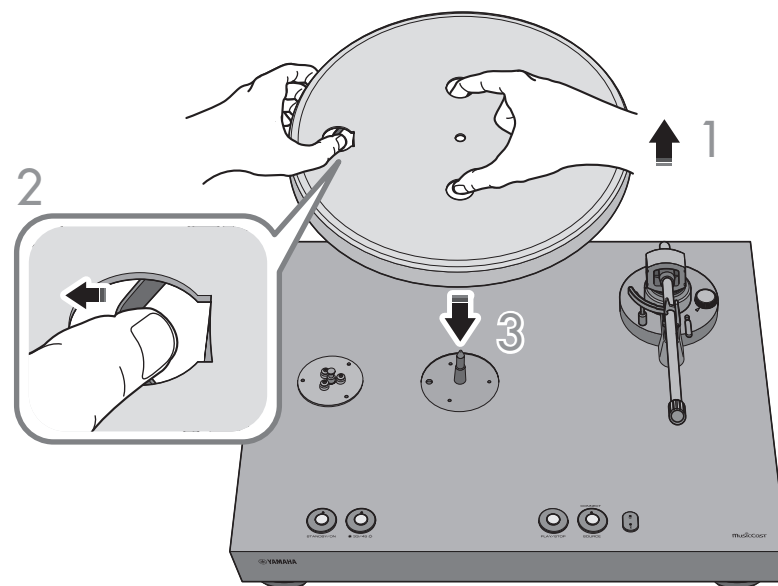
Montage

Montage de l'unité

- 1 Levez le plateau.
- 2 Insérez un doigt dans l'ouverture circulaire du plateau et poussez la courroie vers l'extérieur du plateau avec ce doigt.
- 3 Glissez le plateau sur l'axe de plateau.

ATTENTION

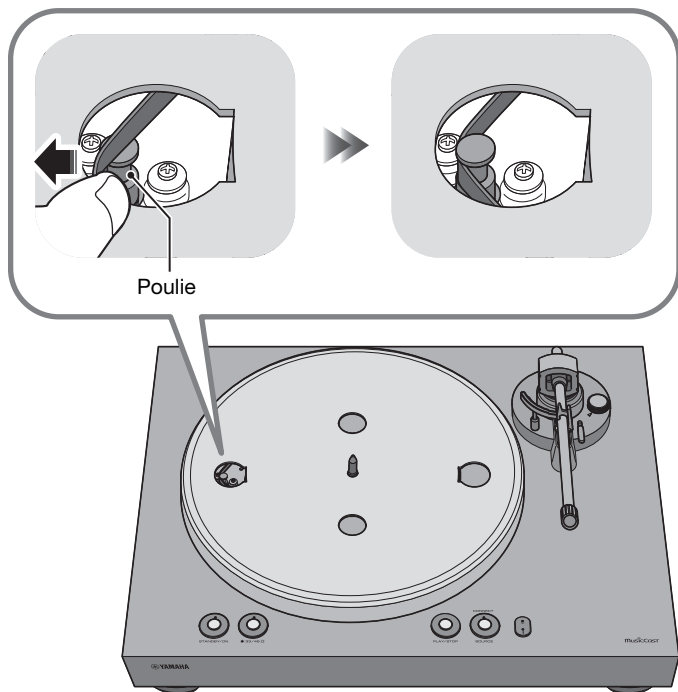
- ◆ Veillez à ne pas lâcher le plateau. Cela pourrait causer des blessures ou endommager l'unité.



4 Alignez l'orifice circulaire du plateau avec la poulie.

5 Mettez la courroie en place sur la poulie avec le doigt la maintenant tendue.

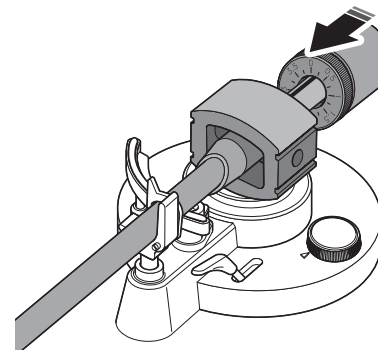
Veillez à ne pas tordre la courroie. Après avoir accroché la courroie sur la poulie, tournez plusieurs fois le plateau pour vérifier qu'elle est parfaitement en place.



6 Posez le couvre-plateau sur le plateau.

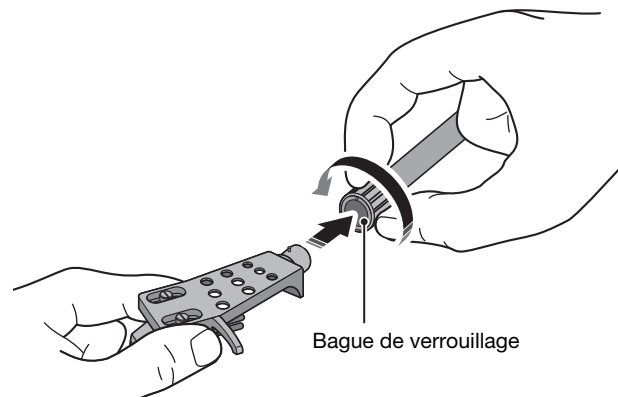
7 Montez le contrepois sur le bras de lecture.

Positionnez les repères du contrepois vers vous et glissez le contrepois sur l'arrière du bras de lecture.



8 Montez le porte-cellule sur le bras de lecture.

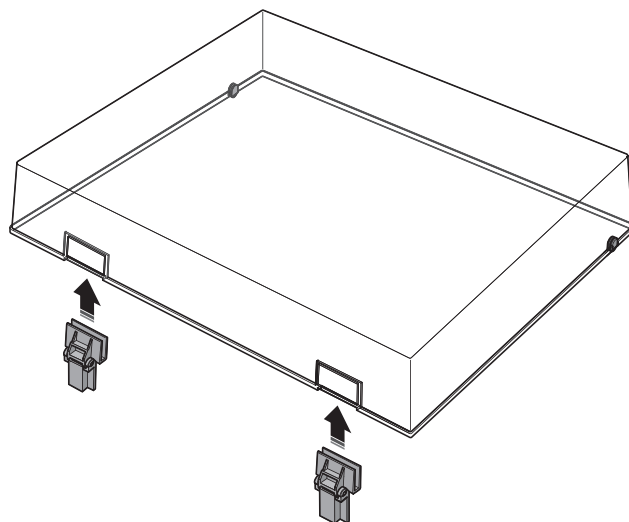
Insérez le porte-cellule sur l'extrémité avant du bras de lecture et tournez la bague de verrouillage pour bloquer le porte-cellule.



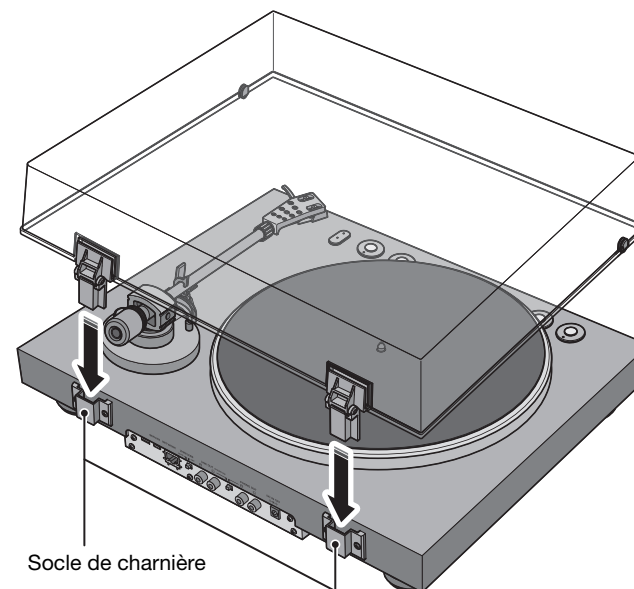
Montage du capot

Le capot protège l'unité contre la poussière, etc.

- 1 Insérez les charnières aux emplacements appropriés des deux côtés du capot.



- 2 Montez le capot en insérant les charnières dans les socles de charnière au dos de l'unité.



NOTE

- ◆ Pour retirer le capot, saisissez-le des deux côtés et tirez-le lentement vers le haut afin de déposer le capot et ses charnières.



ATTENTION

- ◆ Veillez à ne pas vous pincer les mains ou les doigts lorsque vous ouvrez et fermez le capot.

Effectuer les connexions

Connexion à un amplificateur

Effectuez les connexions de la manière illustrée ci-dessous.

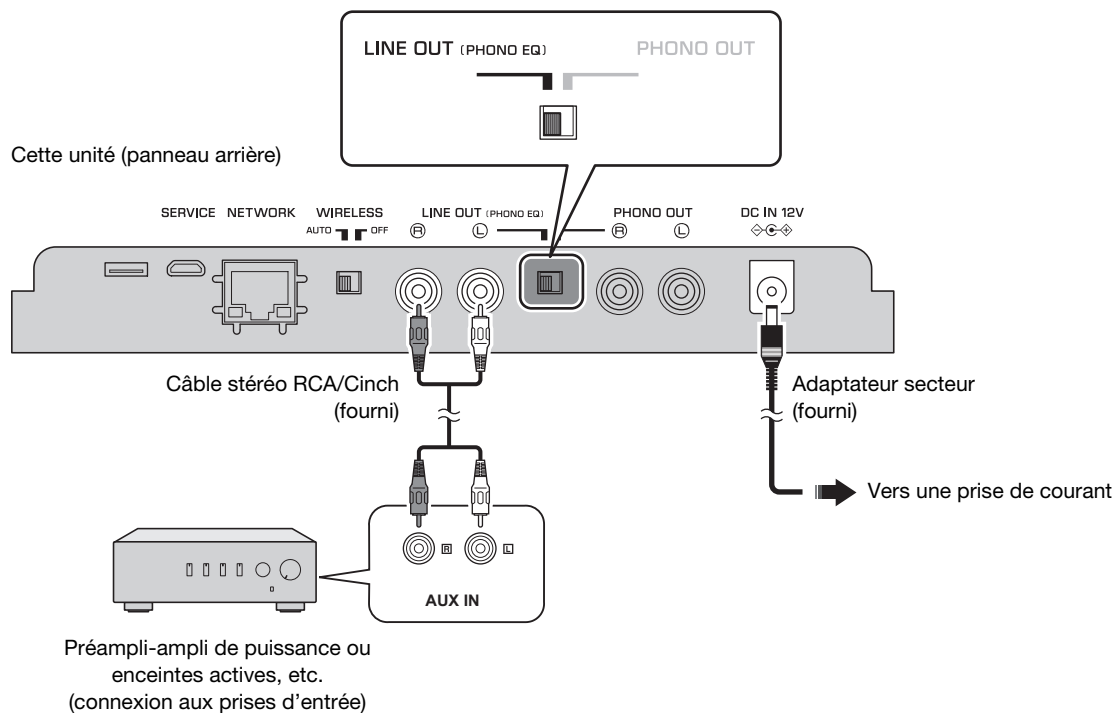


ATTENTION

- ◆ Ne branchez le cordon d'alimentation ni de cette unité ni d'aucun autre appareil au secteur avant que toutes les connexions et le réglage du sélecteur de sortie audio soient effectués.

■ Si vous utilisez les prises LINE OUT de l'unité

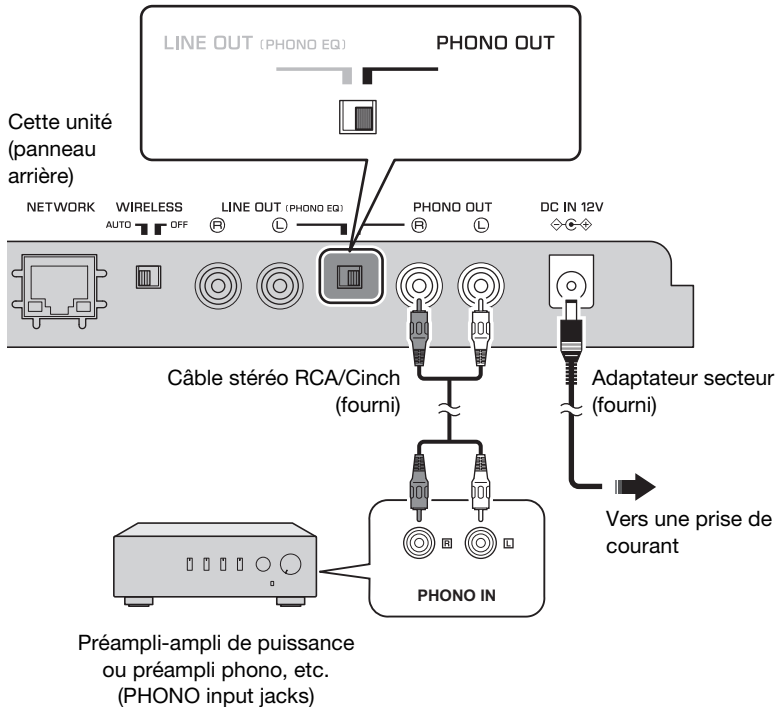
Sources disponibles pour la lecture : Disques vinyle, toutes les sources réseau y compris la radio Internet, Bluetooth



■ Si vous utilisez les prises PHONO OUT de l'unité

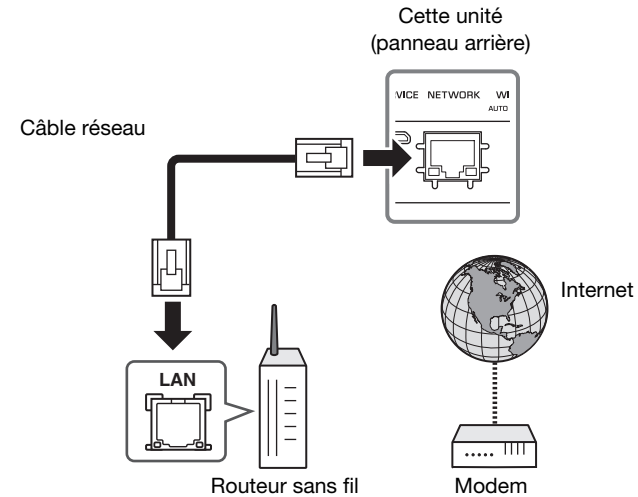
Sources disponibles pour la lecture : Disques vinyle

La fonction réseau de l'unité n'est pas disponible.



Raccordement d'un câble réseau

Pour effectuer une connexion filaire au réseau, raccordez cette unité à votre routeur au moyen d'un câble de réseau STP (câble droit CAT-5 ou supérieur) disponible dans le commerce. Pour établir une connexion sans fil au réseau, voyez « Connexion de l'unité au réseau » (⇒ page 21).



NOTE

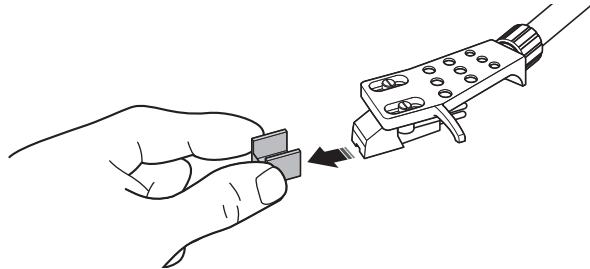
- ◆ Branchez le câble réseau avant de mettre cette unité sous tension.
- ◆ Quel que soit le réglage (AUTO ou OFF) du sélecteur WIRELESS sur le panneau arrière de cette unité, vous pouvez établir une connexion filaire au réseau. (⇒ page 12)
- ◆ Si l'unité est déjà reliée au réseau via une connexion sans fil, activez le mode de veille de l'unité, branchez le câble réseau, placez le sélecteur WIRELESS sur le panneau arrière de l'unité sur la position OFF et enfin mettez l'unité sous tension. (⇒ page 12)

Effectuer les réglages

Réglage de la pression du diamant

Régalez le bras de lecture de sorte que la pression du diamant sur le disque vinyle soit appropriée.

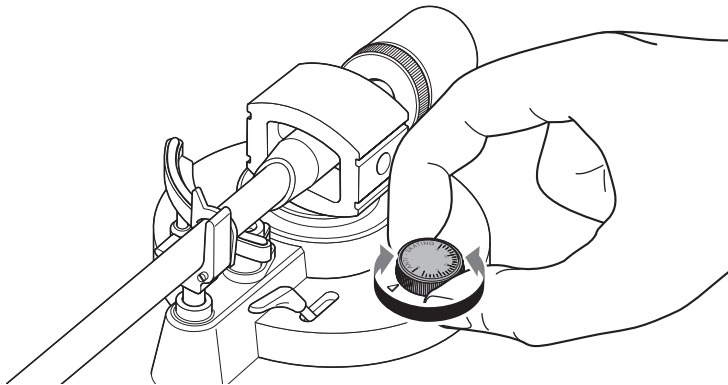
1 Retirez le cache du diamant.



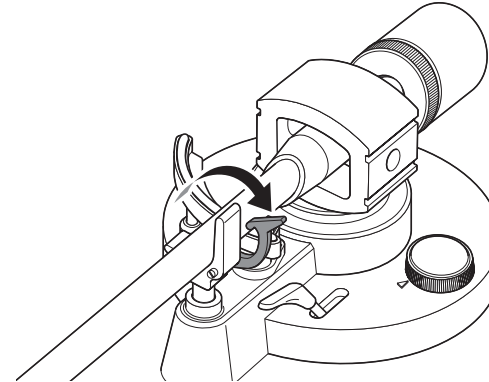
AVIS

- ◆ Veillez à ce que le cache du diamant ou vos doigts n'entrent pas en contact avec le diamant.

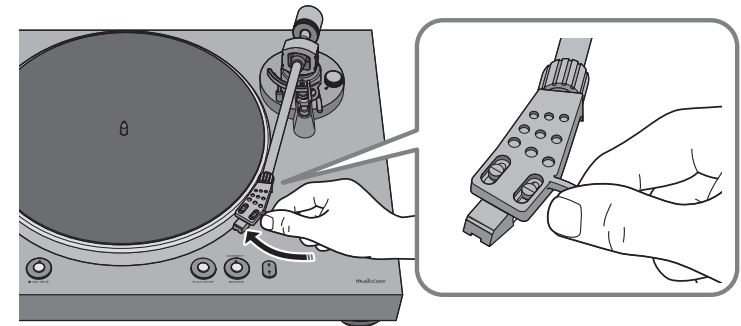
2 Réglez le dispositif d'anti-skating sur la position « 0 ».



3 Désengagez le verrou du bras de lecture.



4 Levez le bras de lecture du repose-bras et poussez le bras légèrement à gauche.



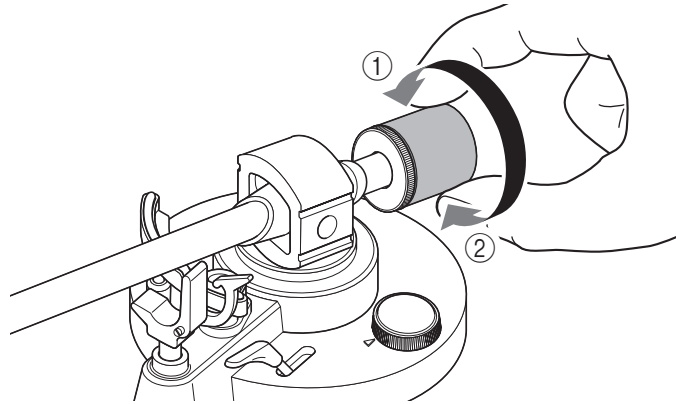
AVIS

- ◆ Veillez à ce que le diamant n'entre en contact avec aucune partie de l'unité.

5 Tournez le contrepois de sorte que le bras de lecture soit en position horizontale.

Vers ①: Le contrepois se déplace vers l'avant du bras de lecture.

Vers ②: Le contrepois se déplace vers l'arrière du bras de lecture.



Correct



Le bras de lecture est en position horizontale (équilibré)

Incorrect



Le contrepois est trop en avant

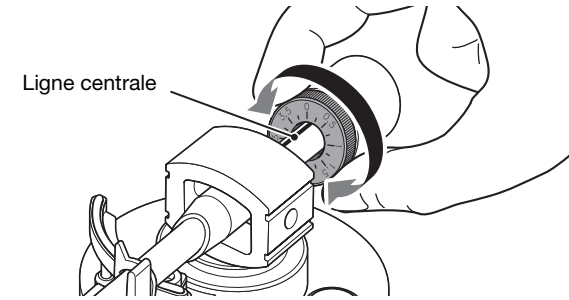
Incorrect



Le contrepois est trop en arrière

6 Remplacez le bras de lecture sur le repose-bras et engagez son verrou.

7 Tournez la bague graduée du contrepois de sorte que le repère « 0 » soit aligné avec la ligne centrale sur l'extrémité arrière du bras de lecture.

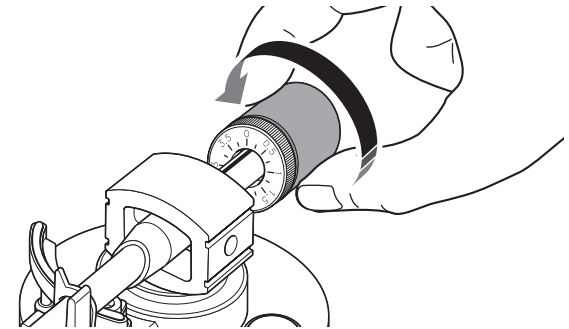


NOTE

- ◆ Quand vous tournez la bague graduée, maintenez le contrepois en place des doigts de sorte qu'il ne tourne pas.

8 Veillez à régler le contrepois sur le repère correspondant à la pression appropriée pour la cellule en place.

La pression spécifiée pour la cellule fournie est de 3,5 g.



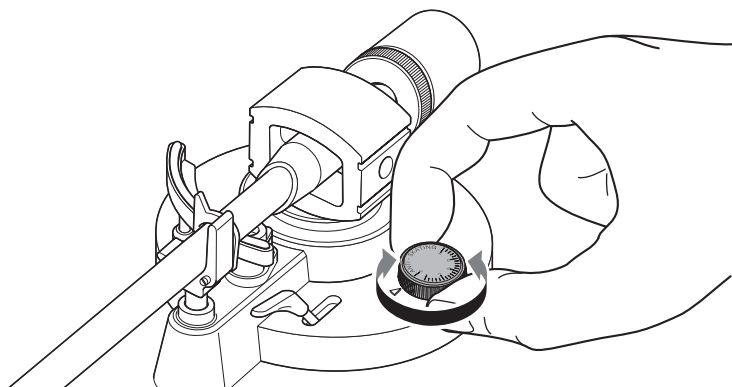
NOTE

- ◆ Le fait de tourner le contrepois entraîne aussi la rotation de la bague graduée du contrepois.

Réglage du dispositif anti-skating

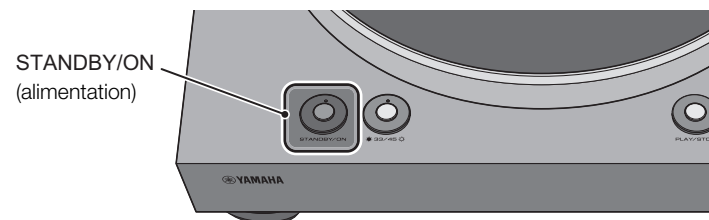
Quand le plateau tourne, la pointe du diamant produit une force qui l'entraîne vers le centre de rotation. Quand la valeur du dispositif d'anti-skating est identique à la valeur de pression du diamant, une force entraînant la pointe du diamant vers l'extérieur du centre de rotation est produite, et les deux forces s'annulent mutuellement.

- 1 Réglez le dispositif anti-skating sur la même valeur que la pression du diamant de la cellule en place.

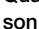


Mise sous tension

Appuyez sur le bouton STANDBY/ON (alimentation) du panneau supérieur de l'unité pour la mettre sous tension. Appuyez à nouveau sur le bouton STANDBY/ON (alimentation) pour mettre l'unité en veille.



NOTE

- ◆ Quand vous mettez l'unité sous tension pour la première fois après son achat ou son initialisation, le témoin  (LAN sans fil) pourrait clignoter. Si ce témoin clignote, vous pouvez connecter l'unité au réseau sans fil en partageant les réglages de votre appareil iOS. (⇒ page 33)
Pour écouter la musique de diverses sources réseau, connectez-vous à votre réseau avec l'application MusicCast CONTROLLER. (⇒ page 21)

À propos des modes de veille de cette unité

Cette unité dispose de deux modes de veille.

Veille réseau : L'alimentation de l'unité peut être activée depuis un appareil du réseau. (uniquement quand le sélecteur de sortie audio est sur LINE OUT)

Veille éco : Ce mode réduit la consommation électrique en veille.

NOTE

- ◆ Pour passer en veille éco, modifiez le paramètre Standby avec votre navigateur Internet. (⇒ page 31)
- ◆ Pour passer temporairement en veille éco, maintenez le bouton STANDBY/ON (alimentation) enfoncé pendant cinq secondes à la mise sous tension de l'unité. (uniquement quand le sélecteur de sortie audio est sur LINE OUT)

Connexion de l'unité au réseau

Cette section décrit comment enregistrer l'unité avec MusicCast et comment la configurer pour la connexion au réseau.

Même si cette unité est connectée par câble au réseau, l'enregistrement dans MusicCast est requis pour accéder à la lecture de sources réseau.

NOTE

- ◆ Pour lire des sources audio haute résolution via le réseau, nous recommandons l'utilisation d'une connexion filaire pour obtenir une stabilité supérieure de lecture. (→ page 17)
- ◆ Votre dispositif mobile doit être déjà connecté au routeur LAN sans fil (point d'accès).

1 Installez l'application MusicCast CONTROLLER sur votre appareil mobile.

Recherchez l'application MusicCast CONTROLLER (gratuite) sur l'App Store ou avec Google Play et installez-la sur votre appareil mobile.

Pour plus de détails sur MusicCast CONTROLLER, visitez le site Internet ci-dessous.

<https://www.yamaha.com/musiccast/>



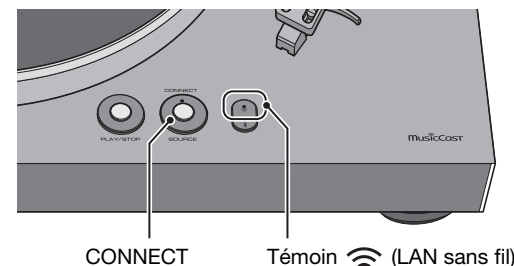
MusicCast CONTROLLER est une application servant à contrôler les appareils compatibles MusicCast. Cela vous permet de partager de la musique entre plusieurs appareils compatibles MusicCast et situés dans des pièces différentes. Vous pouvez ainsi utiliser votre smartphone ou un autre appareil mobile comme télécommande et sélectionner des morceaux et effectuer des réglages en toute facilité sur le dispositif compatible MusicCast.

2 Démarrez l'application MusicCast CONTROLLER sur votre appareil mobile, puis appuyez sur « Configurer ».




3 Effectuez dans MusicCast CONTROLLER les manipulations indiquées sur l'écran de votre appareil mobile, et maintenez le bouton CONNECT sur le panneau supérieur de cette unité enfoncé pendant cinq secondes.

Le témoin  (LAN sans fil) clignote.




4 Suivez les instructions affichées sur l'écran du dispositif mobile pour configurer les paramètres réseau avec l'application MusicCast CONTROLLER.

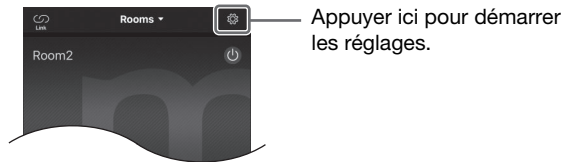
Quand cette unité se connecte au réseau, le témoin  (LAN sans fil) s'allume.

L'unité est alors enregistrée avec MusicCast et les réglages des paramètres réseau sont terminés.

Lisez de la musique avec l'application MusicCast CONTROLLER.

NOTE

- ◆ Pour configurer d'autres périphériques compatibles MusicCast, appuyez sur  (Paramètres) dans le coin supérieur droit de l'écran de MusicCast CONTROLLER, puis sélectionnez « Ajouter un nouvel appareil ».



Lecture

Écouter un disque vinyle

Voyons comment écouter un disque vinyle.

■ Lancement de la lecture

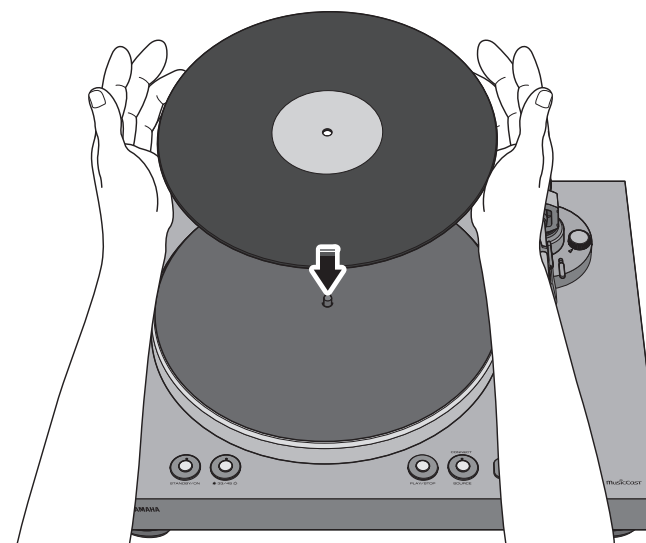
⚠ ATTENTION

- ◆ Démarrer la lecture d'un disque vinyle sans diminuer suffisamment le volume sur l'amplificateur peut causer un bruit important quand le diamant touche la surface du disque. Cela pourrait provoquer des dommages de l'ouïe et un endommagement de l'amplificateur et des haut-parleurs. Veillez donc à baisser le volume sur l'amplificateur.
- ◆ Si vous lisez un disque vinyle et que le signal est restitué via les prises LINE OUT, le plateau s'arrête de tourner quand vous changez de source et passez de PHONO à réseau ou Bluetooth.

NOTE

- ◆ MusicCast CONTROLLER ne permet pas de lancer/d'arrêter la lecture de disque vinyle ni de changer la vitesse de rotation.

- 1 **Ouvrez le capot et posez un disque vinyle sur le plateau.**
Pour lire un disque 45 tours, utilisez l'adaptateur centreur 45 tours livré.



2 Choisissez la vitesse de rotation appropriée pour le disque avec le bouton 33/45 (vitesse).

Chaque pression sur le bouton 33/45 (vitesse) change la vitesse de rotation.

Témoin de vitesse allumé : 33/1/3 tr/min

Témoin de vitesse éteint : 45 tr/min

3 Appuyez sur SOURCE pour sélectionner la source PHONO.

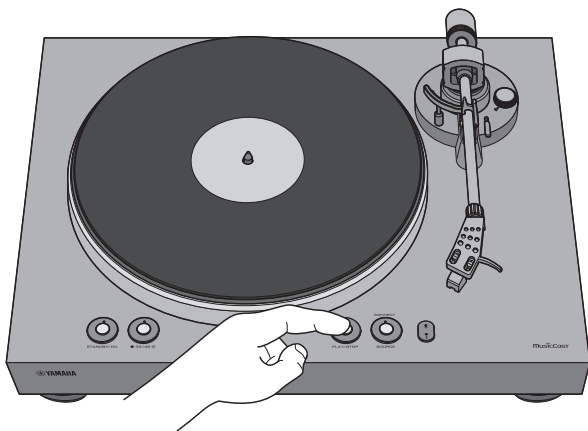
Le témoin SOURCE s'allume en blanc.

NOTE

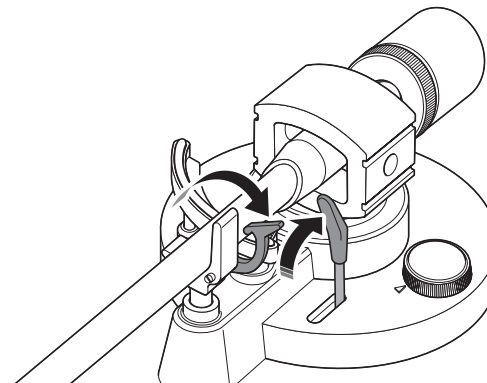
- ◆ Si le sélecteur de sortie audio est sur PHONO OUT, il est inutile de changer de source.

4 Appuyez sur PLAY/STOP (lecture/arrêt).

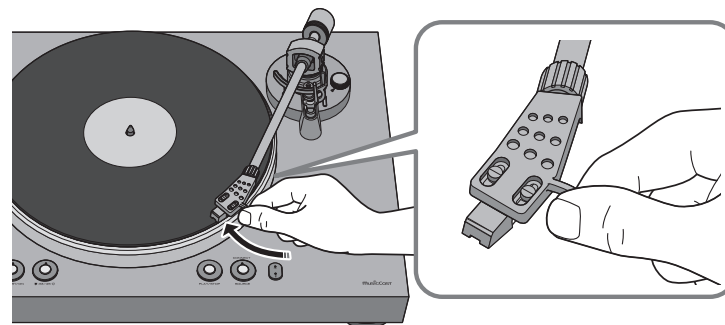
Le plateau se met à tourner.



5 Désengagez le verrou du bras de lecture et relevez le lève-bras.

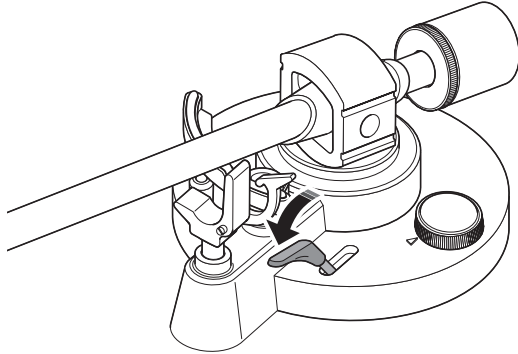


6 Déplacez le bras de lecture jusqu'à l'emplacement du disque vinyle où vous voulez démarrer la lecture.



7 Abaissez le lève-bras.

Le bras de lecture s'abaisse et la lecture du disque vinyle commence.



■ Arrêt momentané de la lecture

Pour arrêter momentanément la lecture du disque vinyle, relevez le lève-bras.

Pour reprendre la lecture, abaissez le lève-bras.

■ Arrêt de la lecture

- 1 Relevez le lève-bras.
- 2 Remplacez le bras de lecture sur le repose-bras.
- 3 Abaissez le lève-bras.
- 4 Appuyez sur PLAY/STOP (lecture/arrêt).
La rotation du plateau s'arrête.
- 5 Engagez le verrou du bras de lecture.

NOTE

- ◆ Le bras de lecture ne se relève pas automatiquement en fin de lecture d'un disque vinyle.
- ◆ Si vous ne comptez pas utiliser l'unité pendant une période prolongée, remettez le cache du diamant en place pour protéger ce dernier.

Écoute de la radio Internet

Voici comment sélectionner une station de radio Internet avec l'application MusicCast CONTROLLER installée sur votre appareil mobile.

NOTE

- ◆ Avant de choisir une station, enregistrez cette unité avec l'application MusicCast. (⇒ page 21)
- ◆ Certaines stations radio Internet pourraient être indisponibles en permanence ou dans certaines plages horaires.
- ◆ Cette fonction utilise le service « airable.Radio ». Ce service est proposé par Tune In GmbH.
- ◆ Ce service peut être modifié ou supprimé sans avis préalable.

- 1 Choisissez la pièce (Room 1, par exemple) dans laquelle cette unité est installée avec MusicCast CONTROLLER.
- 2 Appuyez sur « Net Radio ».
- 3 Choisissez la station de radio Internet que vous voulez écouter.

Écoute de services de diffusion

Voici comment écouter un service de diffusion avec l'application MusicCast CONTROLLER installée sur votre appareil mobile. Pour plus de détails, voyez le complément d'informations sur le ou les services de diffusion disponibles dans votre région. Vous pouvez télécharger le complément d'informations sur le site de téléchargements (Downloads) de Yamaha.
<https://download.yamaha.com/>

NOTE

- ◆ Ce service est uniquement disponible dans certaines régions.
- ◆ Les services pris en charge par l'unité pourraient ne pas être disponibles selon la région où vous avez acheté l'unité.
- ◆ Ces services peuvent être modifiés ou supprimés sans avis préalable.

Lecture de fichiers musicaux stockés sur un serveur multimédia (PC/NAS)

Sur l'unité, vous pouvez lire des fichiers musicaux stockés sur votre PC ou un système de stockage NAS (Network Attached Storage) compatible DLNA.

NOTE

- ◆ Vous pourriez remarquer des coupures de son quand vous utilisez une connexion réseau sans fil. Dans ce cas, utilisez une connexion réseau filaire. (⇒ page 17)
- ◆ Pour des informations sur le format de fichier pouvant être lu avec cette unité, voyez la section « Appareils et formats de fichiers compatibles » (⇒ page 41). Voyez aussi les spécifications du dispositif NAS.

Configuration de partage de support

Pour lire des fichiers musicaux stockés sur PC (ou dispositif NAS) avec cette unité, vous devez activer le partage de support entre cette unité et les autres dispositifs.

■ Dans le cas d'un PC utilisé avec Windows Media Player

La procédure de réglage peut différer selon le PC ou la version de Windows Media Player en question. Les instructions suivantes utilisent Windows Media Player 12 comme exemple.

NOTE

- ◆ La méthode dépend de l'ordinateur et des réglages utilisés. Pour des détails, reportez-vous à la documentation fournie avec votre ordinateur ou à l'aide de Windows Media Player.

- 1 Démarrez Windows Media Player 12 sur votre PC.
- 2 Sélectionnez « Diffuser en continu », puis « Activer la diffusion multimédia en continu ».

- 3 Cliquez sur « Activer la diffusion multimédia en continu ».
- 4 Sélectionnez « Autorisé » dans la liste déroulante à côté du nom de modèle de l'unité.
- 5 Cliquez sur « OK » pour quitter.

■ Dans le cas d'un PC ou un dispositif NAS exploitant un logiciel serveur DLNA autre que Windows Media Player

Reportez-vous au mode d'emploi de l'appareil ou du logiciel et configurez les paramètres de partage de support.

Lecture de fichiers musicaux

Voici comment lire des fichiers musicaux avec l'application MusicCast CONTROLLER installée sur votre appareil mobile.

NOTE

- ◆ Enregistrez l'unité avec l'application MusicCast avant de lire des fichiers musicaux. (⇒ page 21)

- 1 Choisissez la pièce (Room 1, par exemple) dans laquelle cette unité est installée avec MusicCast CONTROLLER.
- 2 Appuyez sur « Serveur ».
- 3 Suivez les instructions affichées à l'écran pour sélectionner un morceau.

Écoute de musique via Bluetooth

Sur l'unité, vous pouvez lire des fichiers de musique stockés sur un dispositif Bluetooth (comme un smartphone).

NOTE


- ◆ Pour pouvoir utiliser la fonction Bluetooth, vous devez régler le sélecteur WIRELESS sur le panneau arrière de cette unité sur la position AUTO. (⇒ page 12)
- ◆ Pour des informations sur les dispositifs Bluetooth pris en charge, voyez « Appareils et formats de fichiers compatibles » (⇒ page 41).

1 Appuyez sur le bouton SOURCE du panneau supérieur de cette unité pour sélectionner la source Bluetooth.

Le témoin SOURCE s'allume en bleu.

2 Activez la fonction Bluetooth sur le dispositif Bluetooth.

3 Sélectionnez cette unité dans la liste des dispositifs disponibles sur le dispositif Bluetooth.

Quand cette unité se connecte à un dispositif Bluetooth, le témoin  (Bluetooth) s'allume.

NOTE

- ◆ Si un message vous demande de saisir un mot de passe, entrez le nombre « 0000 ».
- ◆ Si l'unité est enregistrée comme dispositif MusicCast, le nom de pièce apparaît dans la liste des dispositifs disponibles.

4 Sélectionnez un morceau et lancez la lecture sur le dispositif Bluetooth.

NOTE

- ◆ Si l'unité détecte un appareil Bluetooth ayant déjà été connecté, elle se connecte automatiquement à cet appareil Bluetooth après exécution de l'étape 1. Pour établir une autre connexion Bluetooth, rompez d'abord la connexion Bluetooth actuelle.
- ◆ Pour rompre une connexion Bluetooth, exécutez une des opérations suivantes :
 - Déconnectez le périphérique Bluetooth.
 - Sélectionnez toute option autre que « Bluetooth » comme source pour cette unité.
- ◆ Si vous activez la veille Bluetooth, cette unité se met automatiquement sous tension quand une opération de connexion est exécutée sur le dispositif Bluetooth. (⇒ page 31)

Écoute de musique avec AirPlay

Vous pouvez utiliser la fonction AirPlay pour lire des fichiers musicaux sur iTunes ou d'un appareil iOS via un réseau.

NOTE

- ◆ Si l'appareil iOS ne reconnaît pas l'unité, vérifiez votre environnement de réseau (comme par exemple le routeur).
- ◆ Pour des informations sur les appareils iOS pris en charge, voyez « Appareils et formats de fichiers compatibles » (⇒ page 41).

1 Lancez iTunes ou affichez l'écran de lecture de musique sur l'appareil iOS.

Si l'unité est reconnue par iTunes ou l'appareil iOS, l'icône AirPlay s'affiche.

Ex. : (iOS 10)



Ex. : (iTunes)



2 Dans iTunes ou sur l'appareil iOS, cliquez (appuyez) sur l'icône AirPlay, puis sélectionnez cette unité comme destination de lecture audio.

3 Sélectionnez un morceau dans iTunes ou sur l'appareil iOS pour lancer la lecture.

La source réseau (Airplay) de l'unité est automatiquement activée et la lecture démarre.

Le témoin SOURCE s'allume en rose.

Mémorisation de favoris avec MusicCast CONTROLLER

Vous pouvez enregistrer jusqu'à 40 contenus favoris (des morceaux stockés sur votre PC et des stations de radio Internet).

- 1 Lisez un morceau ou une station radio Internet que vous voulez mémoriser.
- 2 Dans l'écran de lecture, appuyez sur **...** puis sur « Ajouter aux Favoris MusicCast ».



Appuyez ici.

■ Rappel d'un contenu mémorisé

- 1 Choisissez la pièce (Room 1, par exemple) dans laquelle cette unité est installée avec MusicCast CONTROLLER.
- 2 Appuyez sur « Favoris », puis sélectionnez le contenu à lire.



Réglages approfondis

Effectuer des réglages avec MusicCast CONTROLLER

L'application MusicCast CONTROLLER permet de régler les paramètres d'une série de fonctions.

Réglage de la minuterie

Cette fonction met automatiquement cette unité en veille quand la durée spécifiée est écoulée.

Réglages : Désactivé (par défaut), 30 min., 60 min., 90 min., 120 min.

NOTE

- ◆ Le réglage de la minuterie est annulé quand vous effectuez une des opérations suivantes.
 - Vous mettez cette unité en veille.
 - Vous débranchez cette unité de la prise de courant.
 - Vous sélectionnez la source PHONO.
- ◆ La minuterie n'est pas disponible quand la source PHONO est sélectionnée.

Activation/désactivation de la lecture automatique

Cette fonction détermine si les fichiers musicaux sur l'ordinateur (serveur) sont lus automatiquement quand la source Serveur est sélectionnée.

Réglages

Activé (par défaut) : La lecture automatique est activée.
Si l'unité conserve un historique de lecture, le dernier contenu lu est à nouveau reproduit. Si le contenu en question n'existe plus, l'unité ne peut pas le lire.

Désactivé : La lecture automatique est désactivée.

Activation/désactivation de la veille automatique

Cette fonction met automatiquement l'unité en veille quand le délai spécifié s'est écoulé sans aucune opération de lecture ou autre manipulation.

Réglages

Désactivé : La veille automatique est désactivée.

Activé : La veille automatique est activée.
Si aucune opération de lecture n'a été effectuée sur cette unité au cours des 20 dernières minutes, ou qu'aucune manipulation n'a été effectuée au cours des huit dernières heures, l'unité passe automatiquement en veille.

Réglage par défaut

Modèles pour le Royaume-Uni, l'Europe et la Corée : Activé

Autres modèles : Désactivé

NOTE

- ◆ Juste avant le passage en veille, le témoin STANDBY/ON (alimentation) clignote.

Effectuer des réglages avec un navigateur Internet

Vous pouvez utiliser un navigateur Internet sur votre ordinateur ou un autre dispositif pour régler les paramètres de cette unité et de la connexion réseau. Cette section décrit le réglage des paramètres de veille.

Connectez cette unité au réseau avant d'exécuter les opérations suivantes. (⇒ pages 17 et 21)

Affichage de l'écran des paramètres

Voici comment accéder à l'écran des paramètres sur votre ordinateur.

- 1 Recherchez l'adresse IP de cette unité avec l'application MusicCast CONTROLLER.
- 2 Ouvrez un navigateur Internet sur votre ordinateur.
- 3 Dans la barre d'adresse de votre navigateur Internet, saisissez l'adresse IP que vous avez trouvée, puis appuyez sur Entrée.

L'écran des paramètres s'affiche.

NOTE

- ◆ Nous ne garantissons pas que cette méthode fonctionne avec tous les dispositifs ou navigateurs Internet.

■ Paramètre de veille

Veille réseau

Détermine si l'alimentation de cette unité peut être activée depuis un appareil du réseau.

Auto (par défaut) : La veille réseau est activée.

Si cette unité n'est pas connectée à un réseau, la fonction de veille réseau est automatiquement désactivée. (Cette unité passe en veille éco.)

On : La veille réseau est activée. Ce réglage entraîne une consommation électrique supérieure à celle de l'option « Off ».

Off : La veille réseau est désactivée. (Cette unité passe en veille éco.)

Veille Bluetooth

Détermine si l'alimentation de cette unité peut être contrôlée depuis un dispositif Bluetooth. Si ce paramètre est réglé sur « On », cette unité se met automatiquement sous tension quand une opération de connexion est exécutée sur le dispositif Bluetooth.

On (par défaut) : La veille Bluetooth est activée. (Uniquement si le paramètre de veille réseau est sur « Auto » ou sur « On ».)

Off : La veille Bluetooth est désactivée.



Grâce à son design élaboré d'économie d'énergie, cet appareil ne consomme pas plus de 2 watts en mode de veille réseau (Network Standby).



En cas de nécessité

Mise à jour du microprogramme

De nouveaux microprogrammes dotés de fonctions supplémentaires ou d'améliorations du produit sont proposés en cas de nécessité. Vous pouvez mettre à jour le microprogramme avec l'application MusicCast CONTROLLER installée sur votre appareil mobile.

Quand un nouveau microprogramme est disponible, l'écran de l'application MusicCast CONTROLLER affiche le message « Installer la mise à jour du micrologiciel maintenant ? ».

1 Appuyez sur « Oui ».

La mise à jour du microprogramme démarre.


Durant la mise à jour, une barre de progrès s'affiche sur l'écran de l'application MusicCast CONTROLLER et le témoin SOURCE de cette unité clignote en bleu clair.

Quand la mise à jour est correctement effectuée, l'écran de l'application MusicCast CONTROLLER affiche « La mise à jour du micrologiciel est terminée » et le témoin SOURCE de cette unité s'allume en bleu clair.

AVIS

- ◆ **Durant la mise à jour du microprogramme, ne manipulez pas cette unité et ne débranchez pas son adaptateur secteur ni le câble réseau.**

NOTE

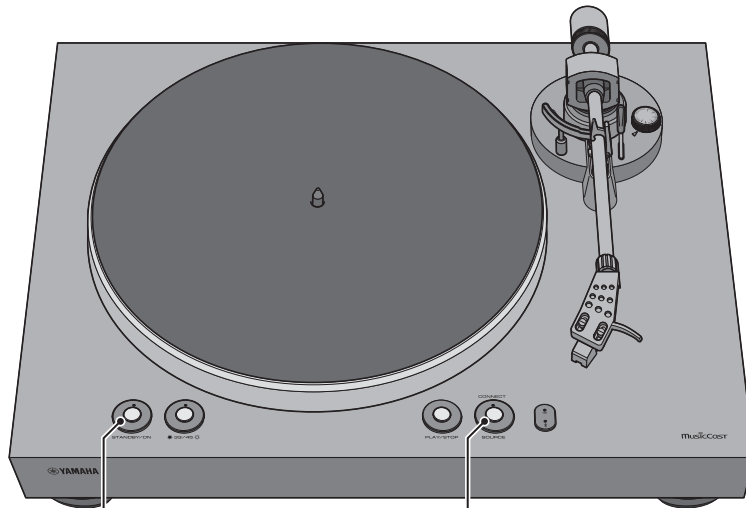
- ◆ **Si vous avez choisi « Plus tard », appuyez sur  (Paramètres) dans l'application MusicCast CONTROLLER et choisissez « Une mise à jour est disponible. ». Effectuez la mise à jour du microprogramme en suivant les consignes à l'écran.**
- ◆ **Quand un nouveau microprogramme est disponible, le témoin SOURCE clignote aussi en orange durant la mise sous tension de cette unité.**
- ◆ **Si vous n'utilisez pas l'application MusicCast CONTROLLER, la mise à jour du microprogramme démarre quand vous maintenez enfoncé PLAY/STOP (lecture/arrêt) et appuyez sur STANDBY/ON (alimentation) quand cette unité est en veille.**
- ◆ **Pour plus de détails sur le microprogramme, visitez le site Internet de Yamaha.**

Initialisation des paramètres

Voici comment initialiser les paramètres de cette unité.

- 1 Appuyez sur **STANDBY/ON (alimentation)** pour mettre cette unité en veille.
- 2 Maintenez **SOURCE** enfoncé en appuyant sur **STANDBY/ON (alimentation)** de l'unité pour la mettre sous tension.

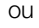
Les paramètres sont alors initialisés.



STANDBY/ON
(alimentation)

SOURCE

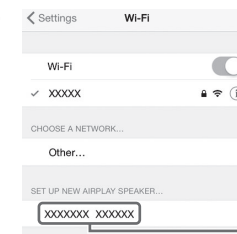
Connexion à un réseau via la fonction WAC

Quand vous mettez l'unité sous tension pour la première fois après son achat ou son initialisation, le témoin  (LAN sans fil) clignote. (À moins que l'unité ne soit déjà connectée au réseau via un câble ou que le sélecteur de sortie audio ne soit sur PHONO OUT) Quand ce témoin clignote, vous pouvez vous connecter au réseau sans fil en partageant les paramètres réseau de votre appareil iOS (fonction WAC).

Pour utiliser cette fonction, effectuez la procédure ci-dessous.

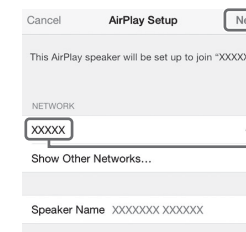
- 1 Sélectionnez cette unité comme haut-parleur AirPlay sur l'écran des paramètres Wi-Fi de votre dispositif iOS.

Ex. : (iOS 10)



Le nom de cette unité

- 2 Vérifiez que le champ « Network » est réglé sur votre réseau habituel, puis appuyez sur « Next ».



Appuyer ici pour démarrer la configuration.

Réseau actuellement sélectionné

Une fois la configuration terminée, l'unité se connecte automatiquement au réseau sélectionné (point d'accès).

Soin et entretien

■ Comment prendre soin de cette unité

Frottez-la avec un chiffon doux et sec. N'utilisez pas de produits chimiques tels que du benzène ou du diluant, car ils pourraient endommager la finition.

■ Entretien de la pointe du diamant

La pointe du diamant est extrêmement délicate. Manipulez-la avec soin pour éviter de l'endommager. Si de la poussière est accrochée à la pointe, éliminez-la avec une brosse à poils doux, en commençant par la base du diamant et en brossant vers la pointe de lecture, ou utilisez un nettoyant spécial pour diamant.

■ Entretien des disques vinyle

La présence de saleté sur un disque vinyle peut provoquer du bruit ou des sauts durant la lecture. Éliminez la saleté sur les disques vinyle avec une brosse disponible dans le commerce.

Remplacement de pièces

Remplacement de la courroie

Selon les conditions d'utilisation, la courroie peut s'user et se rompre. Dans ce cas, remplacez la courroie. Pour obtenir une courroie de remplacement, adressez-vous au revendeur ou SAV agréé Yamaha de votre région.

- 1 **Mettez cette unité et les appareils connectés hors tension, puis débranchez l'adaptateur secteur de cette unité de la prise de courant.**
- 2 **Retirez le couvre-plateau du plateau.**
- 3 **Retirez la courroie de la poulie.**
- 4 **Insérez les doigts dans les orifices du plateau et levez ce dernier.**



ATTENTION

- ◆ **Veillez à ne pas lâcher le plateau. Cela pourrait causer des blessures ou endommager l'unité.**

- 5 **Retournez le plateau et retirez la courroie.**
- 6 **Mettez la nouvelle courroie en place sur le plateau.**
Veillez à ne pas tordre la courroie.
- 7 **Installez le plateau sur l'unité.**
Pour plus de détails, reportez-vous à la section «Montage» à la page 13.

Remplacement du diamant

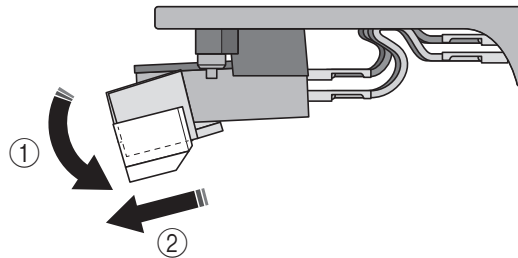
Quand la pointe de lecture du diamant est usée ou endommagée, remplacez immédiatement le diamant.

Procurez-vous comme remplacement une pointe de lecture Audio-Technica ATN3600L.

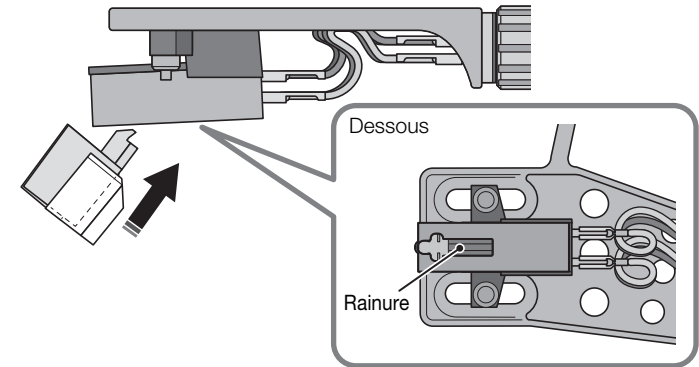
⚠ ATTENTION

- ◆ Mettez en place le cache du diamant avant de changer la pointe de lecture. Sans cela, la pointe de lecture risquerait de causer des blessures ou de subir des dommages.
- ◆ Veillez à conserver le diamant hors de portée des enfants afin d'éviter les risques d'ingestion.

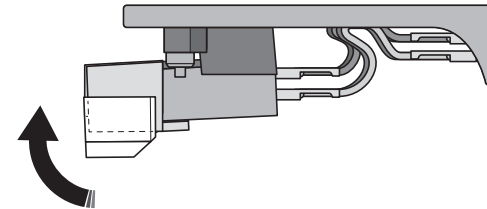
- 1 Mettez cette unité et les appareils connectés hors tension, puis débranchez l'adaptateur secteur de cette unité de la prise de courant.
- 2 Maintenez le corps de la cellule des doigts et poussez le diamant vers le bas ①, puis tirez-le vers vous ② pour le retirer.



- 3 Tout en maintenant toujours le corps de la cellule des doigts, insérez l'onglet du nouveau diamant dans la rainure sur le dessous de la cellule.



- 4 Poussez le diamant vers le haut jusqu'à ce que vous entendiez un déclic.



Déplacement de l'unité

Avant de déplacer l'unité, engagez le verrou du bras de lecture afin d'immobiliser le bras.

Résolution des problèmes

Si l'unité présente des signes de fonctionnement anormal, vérifiez les points suivants.

Si les solutions proposées ne permettent pas de résoudre le problème ou si le problème rencontré n'est pas décrit ci-dessous, appuyez sur le bouton STANDBY/ON (alimentation) situé sur le panneau supérieur de l'unité pour la mettre hors tension, débranchez l'adaptateur secteur et prenez contact avec un revendeur ou SAV agréé Yamaha dans votre région.

Généralités

Anomalies	Causes possibles	Solution	Page
Une pression sur STANDBY/ON (alimentation) ne permet pas de mettre l'unité sous tension.	L'adaptateur secteur est débranché de la prise DC IN de cette unité ou de la prise de courant, ou n'est pas fermement connecté.	Raccordez fermement l'adaptateur secteur à la prise DC IN de cette unité et à la prise de courant.	16
Quand vous appuyez sur STANDBY/ON (alimentation), le témoin STANDBY/ON (alimentation) clignote et l'unité ne se met pas sous tension.	Le circuit de protection a été activé à trois reprises consécutives.	Il n'est alors plus possible de mettre l'unité sous tension, cela afin de la protéger. Adressez-vous à un SAV agréé Yamaha pour faire réparer l'unité.	—
Une pression sur SOURCE ne permet pas de changer de source.	Le sélecteur de sortie audio est sur PHONO OUT.	Réglez le sélecteur de sortie audio sur LINE OUT.	12
Le plateau ne tourne pas.	La courroie n'est pas ajustée correctement sur le plateau et la poulie, ou est détachée.	Ajustez correctement la courroie sur le plateau et la poulie.	13
	L'unité n'est pas sous tension (STANDBY/ON).	Appuyez sur STANDBY/ON (alimentation) pour mettre l'unité sous tension.	20
Aucun son.	Le porte-cellule n'est pas fixé correctement sur le bras de lecture.	Montez correctement le porte-cellule sur le bras de lecture.	14
	Le câble stéréo RCA/Cinch n'est pas raccordé correctement.	Raccordez correctement le câble stéréo RCA/Cinch.	16
	La fonction de sourdine de l'amplificateur est active.	Désactivez la fonction de sourdine de l'amplificateur.	—
	Le réglage du sélecteur de sortie audio de l'unité est incorrect.	Réglez correctement le sélecteur de sortie audio en fonction de l'appareil connecté.	16

Anomalies	Causes possibles	Solution	Page
Le volume est trop faible ou trop élevé.	Le réglage de cellule de l'amplificateur ou du préampli phono est incorrect.	Effectuez correctement le réglage de cellule de l'amplificateur ou du préampli phono en fonction du type de cellule utilisée (MM ou MC).	—
	Le réglage du sélecteur de sortie audio est incorrect.	Réglez correctement le sélecteur de sortie audio en fonction de l'appareil connecté.	16
Le rendu de l'image stéréo est anormal.	L'unité n'est pas de niveau.	Placez l'unité sur une surface de niveau.	—
La vitesse de lecture est incorrecte.	Le réglage de vitesse est incorrect.	Réglez correctement la vitesse en fonction du disque vinyle avec le bouton 33/45 (vitesse). Cette unité ne permet pas de lire des disques 78 tours.	10
Le son comporte un bourdonnement.	Le câble stéréo RCA/Cinch n'est pas raccordé correctement.	Raccordez correctement le câble stéréo RCA/Cinch.	16
	Le porte-cellule n'est pas enfoncé à fond sur le bras de lecture.	Serrez la bague de verrouillage pour bloquer le porte-cellule sur le bras de lecture.	14
Le disque vinyle saute. Le son comporte du bruit. Le son comporte de la distorsion.	Le réglage de pression du diamant est incorrect.	Réglez le contrepoids sur le repère correspondant à la pression appropriée pour la cellule en place.	18
	Le disque vinyle est rayé ou déformé.	N'utilisez pas de disques rayés ni déformés.	—
	Le disque vinyle est sale.	Nettoyez le disque vinyle avec une brosse disponible dans le commerce.	—
	Le disque vinyle est chargé d'électricité statique.	Utilisez une brosse antistatique pour éliminer la charge statique du disque vinyle.	—
	Le diamant est sale.	Nettoyez le diamant.	34
	Le diamant est usé.	Remplacez le diamant.	35
	L'unité se trouve dans un endroit soumis à des vibrations.	Placez l'unité à un endroit de niveau et à l'écart de sources de vibrations.	—
Le son comporte de la réinjection (Larsen).	L'unité est placée trop près des haut-parleurs.	Éloignez l'unité des hauts-parleurs.	—
	Le volume de lecture est trop élevé.	Réglez le volume sur l'amplificateur.	—

Bluetooth

Anomalies	Causes possibles	Solution	Page
Impossible de jumeler l'unité avec le dispositif Bluetooth.	Le sélecteur WIRELESS sur le panneau arrière de l'unité est sur la position OFF.	Réglez le sélecteur WIRELESS sur le panneau arrière de l'unité sur la position AUTO.	12
	Le sélecteur de sortie audio de l'unité est sur la position PHONO OUT.	Réglez le sélecteur de sortie audio de l'unité sur la position LINE OUT.	12
	Un autre appareil Bluetooth est déjà connecté à l'unité.	Déconnectez le dispositif Bluetooth actuellement jumelé et jumelez ensuite l'unité avec le dispositif Bluetooth voulu.	28
	L'unité et les dispositifs Bluetooth sont trop éloignés l'un de l'autre.	Rapprochez le dispositif Bluetooth de l'unité.	—
	La communication sans fil est perturbée par des interférences générées par un appareil utilisant la bande de fréquence radio de 2,4 GHz (un four micro-ondes ou un dispositif LAN sans fil, par exemple).	Éloignez cette unité ou votre appareil Bluetooth de tels appareils. Si votre routeur LAN sans fil prend en charge la bande de fréquence de 5 GHz, adoptez une connexion utilisant la bande de 5 GHz.	—
	Votre dispositif Bluetooth ne prend pas en charge le protocole A2DP.	Utilisez un dispositif Bluetooth prenant en charge le protocole A2DP.	—
	Il se peut que le profil de connexion enregistré sur le dispositif Bluetooth ne fonctionne pas pour une raison inconnue.	Effacez le profil Bluetooth sur le dispositif Bluetooth, puis établissez à nouveau la connexion entre le dispositif Bluetooth et cette unité.	—
	Le code d'accès des dispositifs, notamment d'un adaptateur Bluetooth que vous souhaitez jumeler avec l'unité, diffère de « 0000 ».	Utilisez un dispositif de connexion dont le code est « 0000 ».	—
	Le volume du dispositif Bluetooth est trop bas.	Augmentez le volume du dispositif Bluetooth.	—
	Aucun son n'est audible, ou le son comporte des coupures intermittentes.	Les réglages du dispositif Bluetooth ne permettent pas le transfert de signaux audio à cette unité.	Sélectionnez cette unité comme destination de lecture audio sur le dispositif Bluetooth.
La connexion Bluetooth a été rompue.		Procédez à une nouvelle connexion Bluetooth.	28
L'unité et les dispositifs Bluetooth sont trop éloignés l'un de l'autre.		Rapprochez le dispositif Bluetooth de l'unité.	—
La communication sans fil est perturbée par des interférences générées par un appareil utilisant la bande de fréquence radio de 2,4 GHz (un four micro-ondes ou un dispositif LAN sans fil, par exemple).		Éloignez cette unité ou votre appareil Bluetooth de tels appareils. Si votre routeur LAN sans fil prend en charge la bande de fréquence de 5 GHz, adoptez une connexion utilisant la bande de 5 GHz.	—

Réseau

Anomalies	Causes possibles	Solution	Page
Impossible d'utiliser la fonction de réseau.	Les paramètres réseau (adresse IP) n'ont pas été obtenus correctement.	Activez la fonction de serveur DHCP de votre routeur.	—
	Le sélecteur de sortie audio de l'unité est sur la position PHONO OUT.	Réglez le sélecteur de sortie audio de l'unité sur la position LINE OUT.	12
	Le sélecteur WIRELESS sur le panneau arrière de l'unité est sur la position OFF.	Réglez le sélecteur WIRELESS sur le panneau arrière de l'unité sur la position AUTO.	12
	Vous tentez de vous connecter à un routeur de type IPv6.	Cette unité ne prend pas en charge les réseaux IPv6. Connectez l'unité à un réseau IPv4.	—
L'appareil ne peut pas se connecter à Internet via un routeur LAN sans fil (point d'accès).	Le routeur LAN sans fil (point d'accès) est hors tension.	Mettez le routeur LAN sans fil (point d'accès) sous tension.	—
	L'unité et le routeur LAN sans fil (point d'accès) sont trop éloignés l'un de l'autre.	Rapprochez l'unité et le routeur LAN sans fil (point d'accès).	—
	Un obstacle est présent entre l'unité et le routeur LAN sans fil (point d'accès).	Retirez l'obstacle entre cette unité et votre routeur LAN sans fil (point d'accès).	—
Impossible d'utiliser le réseau sans fil.	Un appareil émettant des ondes électromagnétiques (tel qu'un four à micro-ondes, un dispositif sans fil, etc.) est peut-être situé à proximité de l'unité.	Si l'unité est connectée sans fil, ne l'utilisez pas à proximité d'appareils émettant des ondes électromagnétiques.	—
	L'accès au réseau est limité par les paramètres de pare-feu du routeur LAN sans fil (point d'accès).	Vérifiez les paramètres de pare-feu du routeur LAN sans fil (point d'accès).	—
Impossible de détecter l'ordinateur (serveur).	Les réglages de partage de support du PC (ou serveur) sont peut-être incorrects.	Modifiez les paramètres de partage de support de sorte que l'unité puisse accéder aux dossiers du PC (ou du serveur).	—
	L'accès est limité en raison des réglages de sécurité du PC (ou serveur) ou du routeur.	Vérifiez les réglages de sécurité sur le PC (ou serveur) ou le routeur.	—
	L'unité et le PC ne sont pas connectés au même réseau.	Vérifiez les réglages de connexion du réseau et du routeur pour vous assurer que les deux appareils sont connectés au même réseau.	—
Les fichiers sur le PC (ou serveur) ne sont pas affichés (ni lus).	Le format de fichier n'est pas pris en charge par l'appareil ou le PC (ou le serveur).	Veillez à utiliser un format de fichier pris en charge par l'appareil et le PC.	41

Anomalies	Causes possibles	Solution	Page
Impossible d'écouter la radio Internet.	La station radio Internet sélectionnée n'émet plus actuellement.	Il se peut qu'un problème de réseau soit survenu au niveau de la station radio ou que le service de diffusion ait été interrompu. Réessayez ultérieurement de lire la station ou sélectionnez une autre station.	—
	La station radio sélectionnée diffuse un silence audio.	Certaines stations radio Internet n'émettent pas à certaines heures de la journée. Dans ce cas, la réception fonctionne correctement, mais aucun son n'est produit. Réessayez ultérieurement de lire la station ou sélectionnez une autre station.	—
	L'accès au réseau est limité par les paramètres de pare-feu de vos périphériques réseau (comme le routeur).	Vérifiez les paramètres de pare-feu de vos périphériques. La station radio Internet est uniquement lisible via le port désigné par chaque station de radio. Le numéro de port varie en fonction de la station de radio.	—
L'appareil iOS ne détecte pas l'unité quand vous utilisez AirPlay.	Vous utilisez peut-être un routeur prenant en charge plusieurs SSID.	La fonction de séparation de réseau du routeur bloque peut-être l'accès à l'unité. Si vous connectez un appareil iOS à l'unité, utilisez un SSID permettant l'accès à l'unité. (Essayez de vous connecter au SSID primaire.)	—
L'unité n'est pas détectée quand vous utilisez une application dédiée sur un dispositif mobile.	L'appareil et le périphérique mobile ne se trouvent pas sur le même réseau.	Vérifiez les réglages de connexion du réseau et du routeur pour vous assurer que les deux appareils sont connectés au même réseau.	—
	Vous utilisez peut-être un routeur prenant en charge plusieurs SSID.	La fonction de séparation de réseau du routeur bloque peut-être l'accès à l'unité. Si vous connectez un appareil iOS à l'unité, utilisez un SSID permettant l'accès à l'unité. (Essayez de vous connecter au SSID primaire.)	—
Échec de mise à jour du microprogramme de cette unité.	Il se peut que la connexion réseau ne soit pas optimale.	Essayez d'effectuer une nouvelle mise à jour après un certain temps.	32
L'unité ne peut pas se connecter au routeur LAN sans fil (point d'accès).	Le filtre d'adresse MAC est peut-être activé sur le routeur LAN sans fil (point d'accès).	L'unité ne peut pas se connecter au routeur si le filtre d'adresse MAC est activé. Changez le réglage du routeur LAN sans fil (point d'accès) et essayez à nouveau de connecter l'unité.	—

Appareils et formats de fichiers compatibles

Les dispositifs et formats de fichier suivants sont compatibles avec l'unité.

Appareils compatibles

■ Dispositifs Bluetooth

- Vous pouvez utiliser un dispositif Bluetooth prenant en charge le protocole A2DP.
- Yamaha ne garantit pas la connexion de tous les périphériques Bluetooth.

■ AirPlay

AirPlay est compatible avec les iPhone, iPad et iPod touch dotés du système iOS 4.3.3 ou d'une version plus récente, avec les ordinateurs Mac tournant sous OS X Mountain Lion ou un système plus récent, et avec les PC dotés du logiciel iTunes 10.2.2 ou d'une version plus récente.

Modèles compatibles (à compter de juillet 2018)

Conçu pour :

iPhone X, iPhone 8 Plus, iPhone 8, iPhone 7 Plus, iPhone 7, iPhone SE, iPhone 6s Plus, iPhone 6s, iPhone 6 Plus, iPhone 6, iPhone 5s, iPhone 5c, iPhone 5, iPhone 4s

iPad Pro (10,5"), iPad Pro (12,9") de 2^e génération, iPad Pro (12,9") de 1^{re} génération, iPad Pro (9,7"), iPad mini 4, iPad Air 2, iPad mini 3, iPad Air, iPad mini 2, iPad mini, iPad (5^e génération), iPad (4^e génération), iPad (3^e génération), iPad 2

iPod touch (6^e génération), iPod touch (5^e génération)

Formats de fichier

■ PC/NAS

Fichier	Fréquence d'échantillonnage (kHz)	Résolution de bit (bit)	Débit binaire (kbps)	Nombre de canaux	Support de lecture sans interruption
WAV *	32/44,1/48/	16/24	-	2	✓
	88,2/96/				
	176,4/192				
MP3	32/44,1/48	-	8-320	2	-
WMA	32/44,1/48	-	8-320	2	-
MPEG-4 AAC	32/44,1/48	-	8-320	2	-
FLAC	32/44,1/48/	16/24	-	2	✓
	88,2/96/				
	176,4/192				
ALAC	32/44,1/48/	16/24	-	2	✓
AIFF	32/44,1/48/	16/24	-	2	✓
	88,2/96/				
	176,4/192				
DSD	2,8 MHz/	1	-	2	-
	5,6 MHz				
	11,2 MHz				

* Format PCM linéaire uniquement

- Pour lire les fichiers FLAC stockés sur votre PC/NAS, vous devez installer un logiciel serveur qui prend en charge le partage des fichiers FLAC via DLNA sur votre PC ou utiliser un dispositif NAS prenant en charge les fichiers FLAC.
Pour plus d'informations, voyez le mode d'emploi du logiciel de serveur.
- Les contenus Digital Rights Management (DRM) encodés ne peuvent pas être lus.

Marques commerciales



L'utilisation du logo Works with Apple signifie qu'un accessoire a été conçu pour fonctionner spécifiquement avec la technologie identifiée dans le logo et a été certifié par le développeur comme répondant aux normes de performances d'Apple.

Apple, iPad, iPad Air, iPad Pro et iPhone sont des marques d'Apple Inc., déposées aux États-Unis et dans d'autres pays.

App Store est une marque de service de Apple Inc.

Windows™

Windows est une marque déposée de Microsoft Corporation aux États-Unis et dans les autres pays.

Internet Explorer, Windows Media Audio et Windows Media Player sont des marques commerciales ou des marques déposées de Microsoft Corporation aux États-Unis et/ou dans d'autres pays.

Android™ Google Play™

Android et Google Play sont des marques commerciales de Google Inc.



Le logo Wi-Fi CERTIFIED™ est une marque de certification de la Wi-Fi Alliance®.

Wi-Fi, Wi-Fi CERTIFIED et Wi-Fi Protected Setup sont des marques déposées ou des marques commerciales de Wi-Fi Alliance®.



La marque du mot Bluetooth® ainsi que les logos sont des marques déposées appartenant à Bluetooth SIG, Inc., utilisées sous licence par Yamaha Corporation.

Les autres marques et appellations commerciales appartiennent à leurs détenteurs respectifs.



Le label écologique Yamaha est une marque certifiant les produits de haute performance environnementale.



MusicCast est une marque commerciale ou une marque déposée de Yamaha Corporation.

Marques commerciales Explications de GPL/LGPL

Ce produit intègre le logiciel de source libre GPL/LGPL dans certaines sections. Vous détenez le droit d'obtenir, de copier, de modifier ou de redistribuer uniquement ce code source libre. Pour plus d'informations sur les logiciels de source libre GPL/LGPL, la manière de les obtenir et la licence GPL/LGPL, reportez-vous au site Web de Yamaha Corporation:
<https://download.yamaha.com/sourcecodes/musiccast/>

Licences

Pour des informations sur les licences des logiciels tiers dans ce produit, reportez-vous à ce qui suit.
[http://\(adresse IP de ce produit*\)/licenses.html](http://(adresse IP de ce produit*)/licenses.html)
* L'adresse IP de ce produit est vérifiée avec MusicCast CONTROLLER.

Caractéristiques techniques

Voici les caractéristiques techniques de cette unité.

Section du plateau

Méthode d'entraînement	À courroie
Moteur	Moteur électrique
Vitesse de rotation	33 1/3 tr/min, 45 tr/min
Variation de vitesse de rotation	±2%
Pleurage et scintillement0,2%
Plateau	En aluminium moulé Diamètre 30 cm

Section du bras de lecture

Type	Bras de lecture droit à équilibre statique
Longueur effective du bras	223,5 mm
Plage de réglage de la pression du diamant	0–4 g
Poids admissible de la cellule	15,5–19 g (y compris le porte-cellule)
Avancée	19 mm

Section de la cellule

Type	MM
Tension de sortie	2,5 mV (1 kHz, 3,54 cm/sec)
Force d'appui du diamant	3,5 ±0,5 g
Poids de la cellule	5,0 ±0,3 g
Hauteur de la cellule	17,0 ±0,7 mm
Poids du porte-cellule	10 g (y compris les vis, écrous et fils)

Prises d'entrée/de sortie

Audio analogique (RCA/Cinch asymétrique)
PHONO OUT×1
LINE OUT×1
NETWORK (filaire) × 1 (100Base-TX/10Base-T)

Bluetooth

Fonction Sink	
Appareil source vers cette unité (ex. : smartphone/tablette)	
Codec pris en charge	SBC, AAC
Profil pris en charge	A2DP, AVRCP
Version Bluetooth	Ver. 4.2
Sortie sans fil	Bluetooth Catégorie 2
Distance maximale de communication	10 m sans interférences

Réseau

AirPlay pris en charge
Radio Internet

Réseau sans fil

Normes de réseau sans fil	IEEE 802.11 a/b/g/n/ac*
	* bande passante de canal de 20 MHz uniquement
Bande de fréquence radio	2,4 GHz, 5 GHz
WPS (Wi-Fi Protected Setup)	
Méthode d'identification PIN	
Méthode de sécurité disponible	
WEP	
WPA2-PSK (AES)	
Mode mixte	

Section audio (Réseau, Bluetooth)

Niveau de sortie (1 kHz, 0 dB, Fs 44,1 kHz)	2,0 ±0,3 V
Rapport signal/bruit (réseau IHF-A) (zéro infini, Fs 44,1 kHz)	
.	110 dB ou plus
Plage dynamique (1 kHz, -60 dB, Fs 44,1 kHz)	100 dB ou plus
Distorsion harmonique (1 kHz, 0 dB, Fs 44,1 kHz)	0,003% ou moins
Réponse en fréquence	
Fs 44,1 kHz	2 Hz–20 kHz (+0/-3 dB)
Fs 48 kHz	2 Hz–24 kHz (+0/-3 dB)
Fs 96 kHz	2 Hz–48 kHz (+0/-3 dB)
Fs 192 kHz	2 Hz–96 kHz (+0/-6 dB)

Section audio (PHONO)

Niveau de sortie	
PHONO OUT (1 kHz, 3,54 cm/sec)	2,5 mV ±3 dBV
LINE OUT.	450 mV (-7 dBV)
Rapport signal/bruit (pondéré A, 20 kHz LPF)	67 dB ou plus

Généralités

Alimentation de l'adaptateur secteur	
Entrée	CA 100-240 V 50/60 Hz
Sortie	12 V 1 A
Consommation	6 W
Veille éco	0,3 W
Veille du réseau activée / veille Bluetooth désactivée	
Câblé	1,4 W
Sans fil (Wi-Fi)	1,8 W
Veille du réseau activée / veille Bluetooth activée	
Câblé	1,6 W
Sans fil (Wi-Fi)	1,8 W
Poids	5,7 kg
Dimensions (largeur × hauteur × profondeur)	450 × 136 × 368 mm
	(incluant pieds et saillies)

- ♦ Le contenu de ce mode d'emploi s'applique aux dernières caractéristiques techniques connues à la date de publication du manuel. Pour obtenir la version la plus récente du manuel, accédez au site Web de Yamaha puis téléchargez le fichier du manuel concerné.

Dieses Gerät ist auf den Audiogenuss im Heimgebrauch ausgelegt.

VORSICHTSMAßNAHMEN

**BITTE VOR DER NUTZUNG SORGFÄLTIG
LESEN BEFOLGEN SIE DIESE ANWEISUNGEN
IN JEDEM FALL.**

Die unten aufgeführten Vorsichtsmaßnahmen dienen dazu, dem Verletzungsrisiko für den Anwender und Andere vorzubeugen, sowie Beschädigung eigenen oder fremden Eigentums zu verhindern und dem Anwender den korrekten und sicheren Gebrauch des Produkts zu ermöglichen. Befolgen Sie diese Anweisungen in jedem Fall.

Bewahren Sie das Handbuch nach der Lektüre an einem sicheren Ort auf, um jederzeit darin nachschlagen zu können.

- Lassen Sie das Produkt bei dem Händler, bei dem Sie das Produkt erworben haben oder durch qualifiziertes Fachpersonal bei Yamaha überprüfen oder reparieren.
- Yamaha haftet nicht für Personen- oder Sachschäden, die auf unsachgemäße Benutzung oder Veränderungen des Geräts zurückzuführen sind.
- Dieses Produkt ist für gewöhnliche Wohnungen vorgesehen. Verwenden Sie es nicht für Anwendungen, die eine hohe Zuverlässigkeit erfordern, wie Lebenserhaltung, Gesundheit & Pflege oder wertvolle Vermögenswerte.



WARNUNG

Dieser Inhalt weist auf „unmittelbares Risiko schwerer Verletzungen oder Todesgefahr“ hin.

Stromversorgung/Netzteil

- Das Netzkabel vor Beschädigungen schützen.
 - Von Heizgeräten fernhalten.
 - Weder knicken noch umrüsten.
 - Kratzer vermeiden.
 - Keiner schweren Last aussetzen.Wird das Netzkabel mit freiliegenden Drähten verwendet, kann ein Stromschlag oder Brand verursacht werden.
 - Bei Blitzgefahr weder den Netzstecker noch das Netzkabel berühren. Nichtbeachtung dieser Anweisung kann dazu führen, dass Sie einen elektrischen Schlag erleiden.
 - Verwenden Sie dieses Gerät ausschließlich mit der darauf angegebenen Netzspannung. Ein fehlerhafter Anschluss an einer Netzsteckdose kann zu Bränden, elektrischem Schlag oder Fehlfunktionen führen.
 - Das im Lieferumfang enthaltene Netzgerät verwenden. Andernfalls können Brände, Verbrennungen oder Störungen verursacht werden.
- Prüfen Sie regelmäßig den Zustand des Netzsteckers und entfernen Sie jeglichen Schmutz oder Staub, der sich darauf angesammelt hat. Nichtbeachtung dieser Anweisung kann zu Bränden oder einem elektrischen Schlag führen.
 - Achten Sie beim Aufstellen des Geräts darauf, dass sich eine Netzsteckdose in der Nähe befindet. Sollten Probleme auftreten oder es zu einer Fehlfunktion kommen, schalten Sie die Komponente sofort aus und ziehen Sie den Stecker aus der Netzsteckdose. Auch dann, wenn der Netzschalter ausgeschaltet ist, ist die Komponente nicht von der Stromversorgung getrennt, solange das Netzkabel an der Steckdose angeschlossen ist.
 - Bei heraufziehendem Gewitter (entfernter Donner oder Blitz) schalten Sie das Gerät sofort aus und ziehen Sie den Netzstecker aus der Steckdose. Nichtbeachtung dieser Anweisung kann zu Bränden oder Fehlfunktionen führen.
 - Wird das Gerät voraussichtlich längere Zeit nicht benutzt, sollte das Netzkabel von der Wandsteckdose abgezogen werden. Nichtbeachtung dieser Anweisung kann zu Bränden oder Fehlfunktionen führen.

Nicht auseinanderbauen

- Dieses Gerät nicht zerlegen oder umrüsten. Die Nichtbeachtung dieser Anweisung kann zu Bränden, elektrischem Schlag, Verletzungen oder Fehlfunktionen führen. Wenn Sie irgendwelche Unregelmäßigkeiten beobachten, lassen Sie die Komponente bei dem Händler, bei dem Sie sie erworben haben, überprüfen oder reparieren, oder wenden Sie sich an qualifiziertes Fachpersonal bei Yamaha.

Gefahr durch Wasser

- Schützen Sie das Gerät vor Regen, Wasser und Feuchtigkeit, und stellen Sie keine mit Flüssigkeiten befüllten Behälter (wie Vasen, Flaschen oder Gläser) darauf ab, deren Inhalt auslaufen und durch Öffnungen einfließen oder tropfen könnte. Eine Flüssigkeit wie Wasser, die in die Einheit gelangt, kann einen Brand, einen elektrischen Schlag oder Fehlfunktionen auslösen. Wenn eine Flüssigkeit wie z. B. Wasser in das Gerät gelangt, schalten Sie sofort die Stromversorgung aus und ziehen Sie das Netzkabel aus der Steckdose. Lassen Sie dann die Komponente bei dem Händler, bei dem Sie sie erworben haben, überprüfen, oder wenden Sie sich an qualifiziertes Fachpersonal bei Yamaha.
- Den Netzstecker niemals mit nassen Händen in die Steckdose stecken oder daraus abziehen. Berühren Sie dieses Gerät niemals mit feuchten Händen. Die Nichtbeachtung dieser Anweisung kann zu elektrischem Schlag oder Fehlfunktionen führen.

Brandschutz

- Halten Sie brennende Gegenstände und offene Flammen vom Gerät fern, um einen Brand zu vermeiden.

Kabellose Komponenten

- Verwenden Sie dieses Gerät nicht in der Nähe von medizinischen Geräten oder in medizinischen Einrichtungen. Von dieser Einheit ausgestrahlte Funkwellen können sich auf medizinisch-elektrische Geräte auswirken.
- Personen mit Herzschrittmacher- oder Defibrillator-Implantat müssen mindestens 15 cm von diesem Gerät entfernt bleiben. Von dieser Einheit ausgehende Funkwellen können Auswirkungen auf medizinisch-elektrische Geräte wie einen implantierten Herzschrittmacher oder Defibrillator haben.

Ungewöhnliche Vorkommnisse

- Tritt eine der folgenden Auffälligkeiten auf, schalten Sie das Gerät sofort aus und ziehen Sie den Netzstecker aus der Steckdose ab.
 - Das Netzkabel bzw. der Netzstecker ist beschädigt.
 - Das Gerät erzeugt einen ungewöhnlichen Geruch oder Rauch.
 - Fremdmaterial ist in das Innere des Geräts eingedrungen.
 - Das Gerät weist Risse oder andere Schäden auf.

Durch fortgesetzten Gebrauch könnten ein elektrischer Schlag, Brand oder Fehlfunktionen verursacht werden. Lassen Sie die Einheit

unverzüglich bei dem Händler, bei dem Sie sie erworben haben, überprüfen oder reparieren, oder wenden Sie sich an qualifiziertes Fachpersonal bei Yamaha.

- Schützen Sie das Gerät vor Stürzen und starken Stößen. Wenn die Einheit durch Herunterfallen oder einen starken Stoß beschädigt worden sein könnte, schalten Sie sie sofort aus und ziehen Sie den Stecker oder das Netzteil aus der Steckdose. Die Nichtbeachtung dieser Anweisung kann zu elektrischem Schlag, Bränden, Verletzungen oder Fehlfunktionen führen. Lassen Sie die Einheit unverzüglich bei dem Händler, bei dem Sie sie erworben haben, überprüfen, oder wenden Sie sich an qualifiziertes Fachpersonal bei Yamaha.



VORSICHT

Der zugehörige Inhalt weist auf „ein Risiko schwerer Verletzungen“ hin.

Stromversorgung/Netzteil

- Das Netzteil nicht mit einem Tuch oder einer Decke abdecken oder einwickeln. Andernfalls könnte sich Hitze anstauen, was eine Verformung oder einen Brand verursachen kann.
- Verwenden Sie keine Netzsteckdose, in der der Netzstecker nicht fest sitzt. Nichtbeachtung dieser Anweisung kann zu Bränden elektrischem Schlag oder Verbrennungen führen.
- Wenn Sie den Netzstecker vom Gerät oder aus der Netzsteckdose abziehen, stets am Stecker selbst ziehen, niemals am Kabel. Durch Ziehen am Netzkabel kann dieses beschädigt werden und einen elektrischen Schlag oder einen Brand auslösen.

- Stecken Sie den Netzstecker vollständig in die Netzsteckdose hinein. Durch Gebrauch der Einheit bei nicht vollständig eingestecktem Stecker kann sich Staub auf dem Stecker ansammeln, der zu Bränden oder Verbrennungen führen kann.

Aufstellung

- Stellen Sie das Gerät nicht an einer instabilen Stelle ab, wo es versehentlich ab- oder umstürzen und Verletzungen verursachen könnte.
- Beim Aufstellen dieses Geräts:
 - Nicht mit einem Tuch bedecken.
 - Nicht auf einen Teppich oder eine Decke abstellen.
 - Die Oberseite muss nach oben weisen; nicht auf den Seiten oder Kopf stellen.
- Die Oberseite muss nach oben weisen. Andernfalls kann eine Störung oder ein Umkippen des Geräts sowie eine Verletzung verursacht werden.
- Stellen Sie das Gerät nicht an Orten auf, an dem es korrosiven Gasen oder salzhaltiger Luft ausgesetzt ist. Dadurch kann es zu Fehlfunktionen kommen.
- Vermeiden Sie es, sich in Gefahrensituationen wie einem Erdbeben in der Nähe des Geräts aufzuhalten. Da das Gerät um- oder abstürzen und Verletzungen verursachen könnte, suchen Sie sich so bald wie möglich einen sicheren Ort abseits des Geräts.
- Bevor Sie das Gerät versetzen, muss es ausgeschaltet und alle Verbindungskabel gelöst werden. Andernfalls können die Kabel beschädigt werden bzw. dazu führen, dass Sie oder andere Personen darüber stolpern und stürzen.

Hörminderung

- Bevor Sie dieses Gerät mit anderen Geräten verbinden, schalten Sie alle Geräte aus. Nichtbeachtung kann eine Hörminderung, einen elektrischen Schlag oder Geräteschäden zur Folge haben.
- Beim Einschalten Ihres Audiosystems sollten Sie den Verstärker bzw. Receiver immer ZULETZT einschalten, um Gehörverlust und Schäden an den Lautsprechern zu vermeiden. Beim Ausschalten sollte der Verstärker bzw. Receiver aus demselben Grund ZUERST ausgeschaltet werden. Die Nichtbeachtung der obigen Anweisung kann Hörminderung oder eine Beschädigung der Lautsprecher verursachen.

Wartung

- Bevor Sie das Gerät reinigen, ziehen Sie den Netzstecker aus der Steckdose ab. Nichtbeachtung dieser Anweisung kann dazu führen, dass Sie einen elektrischen Schlag erleiden.

Vorsichtsmaßnahmen während der Benutzung

- Halten Sie kleine Teile außer Reichweite von Kindern. Kinder könnten sie versehentlich verschlucken.
- Folgendes ist untersagt:
 - Sitzen oder Stehen auf dem Gerät
 - Abstellen schwerer Gegenstände auf dem Gerät
 - Stapeln des Geräts
 - Ausüben übermäßiger Kraft auf Tasten, Schalter, Anschlüsse usw.
 - Anlehnen an das Gerät
- Ziehen Sie nicht an den angeschlossenen Kabeln, um Verletzung oder Beschädigung durch einen Absturz zu vermeiden.

Hinweis

Kennzeichnet Punkte, die zu beachten sind, um einen Ausfall, eine Beschädigung oder eine Störung des Produkts sowie einen Verlust von Daten zu vermeiden.

Stromversorgung/Netzteil

- Wird das Gerät voraussichtlich längere Zeit nicht benutzt, sollten Sie unbedingt das Netzkabel aus der Netzsteckdose abziehen. Auch nach dem Ausschalten (Standby-Modus) nimmt das Gerät weiterhin eine kleine Menge Strom auf.

Aufstellung

- Betreiben Sie dieses Gerät nicht in der Nähe anderer elektronischer Geräte wie Fernsehern, Radios oder Mobiltelefonen. Nichtbeachtung kann zur Folge haben, dass dieses Gerät bzw. das Fernsehgerät oder Radio Rauschstörungen erzeugt.
- Verwenden Sie dieses Gerät nicht an Orten, die direkter Sonneneinstrahlung ausgesetzt sind, sehr heiß werden (z.B. in Nähe einer Heizung) bzw. extrem kalt sind oder übermäßigem Staub oder Vibrationen ausgesetzt sind. Andernfalls könnte die Frontblende verformt, die inneren Bauteile gestört oder der Betrieb instabil werden.
- Wenn Sie eine Drahtlosfunktion benutzen, vermeiden Sie es, dieses Gerät in der Nähe metallischer Wände oder Tische, von Mikrowellengeräten oder anderen kabellosen Netzwerkgeräten aufzustellen. Solche Hindernisse können den Übertragungsbereich einschränken.

Anschlüsse

- Wenn Sie externe Geräte anschließen, lesen Sie deren Anleitungen gründlich durch und führen Sie die Verbindungen entsprechend durch.
Wenn Sie ein Gerät nicht gemäß den Anweisungen behandeln, können Fehlfunktionen auftreten.

Handhabung

- Stellen Sie keine Gegenstände aus Kunststoff oder Gummi auf diesem Gerät ab. Bei Nichtbeachtung könnte sich das Bedienfeld dieses Geräts verfärben oder verformen.
- Wenn sich die Umgebungstemperatur drastisch ändert (z.B. während des Transports oder bei schneller Erwärmung/Abkühlung) und die Möglichkeit besteht, dass sich im Innern des Geräts Kondensation gebildet hat, lassen Sie es mehrere Stunden lang ausgeschaltet, bis es trocken genug für den Betrieb ist. Die Verwendung des Geräts bei auftretender Kondensation kann Fehlfunktionen verursachen.

Wartung

- Wenn sich die Lufttemperatur und -feuchtigkeit drastisch ändern, kann sich Kondensation an der Geräteoberfläche bilden. Sollten sich Wassertröpfchen bilden, wischen Sie diese umgehend mit einem weichen Tuch ab. Auf dem Gerät verbleibende Wassertröpfchen können in die Holzteile eindringen und Verformung verursachen.
- Reinigen Sie das Gerät mit einem trockenen, weichen Tuch. Die Verwendung von Chemikalien wie Benzin oder Verdünnung, scharfer Reinigungsmittel oder chemischer Scheuertücher kann Verfärbungen oder Verformungen verursachen.

Information

Über die Inhalte dieser Bedienungsanleitung

- Die in dieser Anleitung enthaltenen Abbildungen und Bildschirmdarstellungen dienen lediglich zur Veranschaulichung.
- Die in dieser Anleitung erwähnten Firmen- und Produktnamen sind Warenzeichen bzw. eingetragene Warenzeichen der entsprechenden Firmen.
- Software-Überarbeitungen und -Aktualisierungen ohne Vorankündigungen möglich.

■ Anmerkung zum Namensschild des Geräts

Die Nummer des Modells, die Seriennummer, der Leistungsbedarf usw. sind auf dem Typenschild, das sich auf der Unterseite des Geräts befindet, oder in der Nähe davon angegeben. Sie sollten diese Seriennummer an der unten vorgesehenen Stelle eintragen und dieses Handbuch als dauerhaften Beleg für Ihren Kauf aufbewahren, um im Fall eines Diebstahls die Identifikation zu erleichtern.

Modell Nr.

Seriennr.

(bottom_de_01)

[Europa-Modell]

Drahtloskommunikationsfunktionen

Bluetooth

Funkfrequenz (Betriebsfrequenz): 2402 MHz bis 2480 MHz
Maximale Ausgangsleistung (EIRP): 7,27 dBm

Wi-Fi (2,4 GHz)

Funkfrequenz: 2402 MHz bis 2482 MHz
Maximale Ausgangsleistung (EIRP): 19,98 dBm

Wi-Fi (5 GHz)

Funkfrequenz, maximale Ausgangsleistung (EIRP):
5170 bis 5250 MHz, 22,03 dBm
5250 bis 5330MHz, 22,27 dBm
5490 bis 5710MHz, 24,56 dBm
5735 bis 5835MHz, 13,96 dBm

- Auf dem 5-GHz-Frequenzband sendende Drahtlosgeräte können nur in Gebäuden eingesetzt werden. Die Verwendung solcher Geräte im Freien ist gesetzlich verboten.

Verbraucherinformation zur Sammlung und Entsorgung alter Elektrogeräte und benutzter Batterien



Befinden sich diese Symbole auf den Produkten, der Verpackung und/oder beiliegenden Unterlagen, so sollten benutzte elektrische Geräte und Batterien nicht mit dem normalen Haushaltsabfall entsorgt werden.

In Übereinstimmung mit Ihren nationalen Bestimmungen bringen Sie alte Geräte und benutzte Batterien bitte zur fachgerechten Entsorgung, Wiederaufbereitung und Wiederverwendung zu den entsprechenden Sammelstellen.

Durch die fachgerechte Entsorgung der Elektrogeräte und Batterien helfen Sie, wertvolle Ressourcen zu schützen, und verhindern mögliche negative Auswirkungen auf die menschliche Gesundheit und die Umwelt, die andernfalls durch unsachgerechte Müllentsorgung auftreten könnten.

Für weitere Informationen zum Sammeln und Wiederaufbereiten alter Elektrogeräte und Batterien kontaktieren Sie bitte Ihre örtliche Stadt- oder Gemeindeverwaltung, Ihren Abfallentsorgungsdienst oder die Verkaufsstelle der Artikel.



Information für geschäftliche Anwender in der Europäischen Union:

Wenn Sie Elektrogeräte ausrangieren möchten, kontaktieren Sie bitte Ihren Händler oder Zulieferer für weitere Informationen.



Entsorgungsinformation für Länder außerhalb der Europäischen Union:

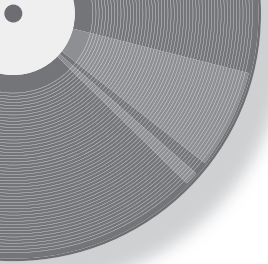
Diese Symbole gelten nur innerhalb der Europäischen Union. Wenn Sie solche Artikel ausrangieren möchten, kontaktieren Sie bitte Ihre örtlichen Behörden oder Ihren Händler und fragen Sie nach der sachgerechten Entsorgungsmethode.

Cd

Anmerkung zum Batteriesymbol (untere zwei Symbolbeispiele):

Dieses Symbol kann auch in Kombination mit einem chemischen Symbol verwendet werden. In diesem Fall entspricht dies den Anforderungen der EU-Batterierichtlinie zur Verwendung chemischer Stoffe.

(weee_battery_eu_de_02)



Inhalt

Zuallererst 8

Funktionen dieses Geräts	8
Über diese Anleitung	9
Umgang mit Schallplatten	9
Lieferumfang überprüfen	9
Teile und deren Funktionen	10
Oberseite	10
Rückseite	12

Vorbereitungen 13

Aufstellort	13
Zusammenbau	13
Gerät zusammenbauen	13
Haube anbringen	15
Verbindungen herstellen	16
Verbindung mit einem Verstärker	16
Anschließen eines Netzkabels	17
Einstellungen vornehmen	18
Abtastnadeldruck einstellen	18
Antiskating einstellen	20
Einschalten	20
Über die Standby-Modi dieses Geräts	20
Gerät mit dem Netzwerk verbinden	21

Wiedergabe 23

Schallplatte wiedergeben	23
Internetradio wiedergeben	26
Streaming-Dienst wiedergeben	26
Auf einem Media-Server (PC/NAS)	
gespeicherte Musikdateien wiedergeben.....	27
Medienfreigabe einrichten.....	27
Musikdateien wiedergeben.....	27
Musik über Bluetooth wiedergeben	28
Musik mit AirPlay wiedergeben.....	29
Mit MusicCast CONTROLLER Favoriten	
speichern	29

Detaillierte Einstellungen 30

Einstellungen mit MusicCast CONTROLLER	
vornehmen	30
Einschlaf-Timer einstellen	30
Automatische Wiedergabe aktivieren/deaktivieren .	30
Automatisches Standby aktivieren/deaktivieren ...	30
Einstellungen über einen Webbrowser	
vornehmen	31
Einstellungsbildschirm anzeigen	31

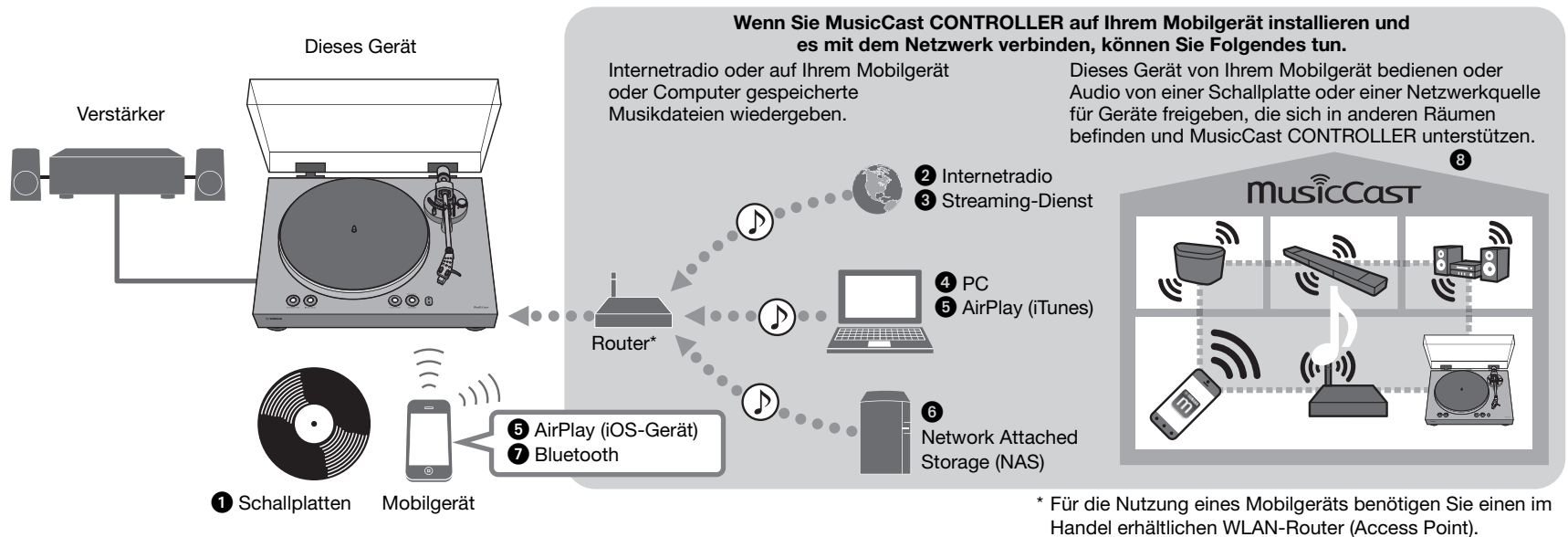
Bei Bedarf 32

Firmware aktualisieren	32
Einstellungen initialisieren	33
Netzwerkverbindung mit der WAC-Funktion	
vornehmen	33
Pflege	34
Austausch	34
Riemen austauschen	34
Abtastnadel austauschen	35
Gerät transportieren.....	35
Störungsbeseitigung	36
Allgemeines	36
Bluetooth	38
Netzwerk	39
Unterstützte Geräte und Dateiformate	41
Unterstützte Geräte.....	41
Dateiformate.....	41
Markenzeichen	42
Technische Daten.....	43

Zuallererst

Funktionen dieses Geräts

Bei diesem Gerät handelt es sich um einen Netzwerk-Plattenspieler, der nicht nur Schallplatten abspielen kann, sondern auch die Wiedergabe von Netzwerkquellen wie Medienservern oder Mobilgeräten unterstützt.



1 Schallplatte wiedergeben (⇒ Seite 23)

2 Internetradio wiedergeben (⇒ Seite 26)

3 Streaming-Dienst wiedergeben (⇒ Seite 26)

4 Auf PC gespeicherte Musikdateien wiedergeben (⇒ Seite 27)

5 Musikdateien mit AirPlay wiedergeben (⇒ Seite 29)

6 Auf NAS gespeicherte Musikdateien wiedergeben (⇒ Seite 27)

7 Audioinhalte eines Bluetooth-Geräts wiedergeben (⇒ Seite 28)

8 Musik mit MusicCast CONTROLLER wiedergeben (⇒ Seite 21)

Über diese Anleitung

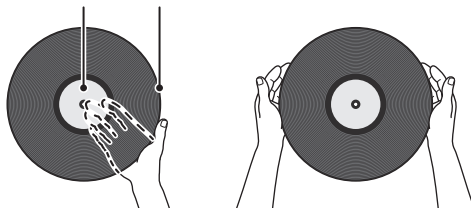
Beim Lesen dieser Anleitung Folgendes beachten.

- ◆ Änderungen der technischen Daten und der äußeren Erscheinung im Sinne der Produktverbesserung sind ohne Vorankündigung möglich.
- ◆ In dieser Anleitung werden iPhone, iPad und iPod touch kollektiv als „iOS-Gerät“ bezeichnet.
- ◆ Die in dieser Anleitung verwendeten Bildschirmbeispiele beziehen sich auf MusicCast CONTROLLER auf einem iPhone in englischer Sprache.
- ◆ Erläuterung der in dieser Anleitung verwendeten Symbole
 - „**⚠️ WARNUNG**“ kennzeichnet Punkte, die zu beachten sind, um die Gefahr tödlicher oder schwerer Verletzungen zu vermeiden.
 - „**⚠️ VORSICHT**“ kennzeichnet Punkte, die zu beachten sind, um Verletzungsgefahr zu vermeiden.
 - **ACHTUNG** kennzeichnet Punkte, die zu beachten sind, um eine Beschädigung oder Störung des Produkts zu vermeiden.
 - **HINWEIS** kennzeichnet zusätzliche nützliche Informationen.

Umgang mit Schallplatten

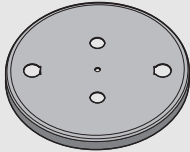
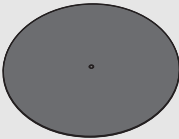
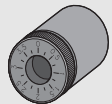
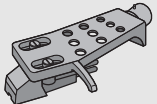
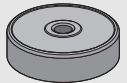
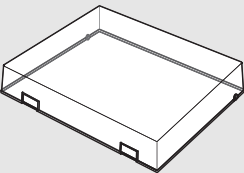
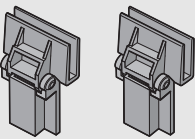
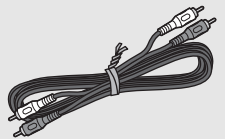
Zum Halten einer Schallplatte sollten Sie sie entweder mit einer Hand im Label-Bereich und am Außenrand oder mit beiden Händen am Außenrand abstützen.

Label-Bereich Außenrand



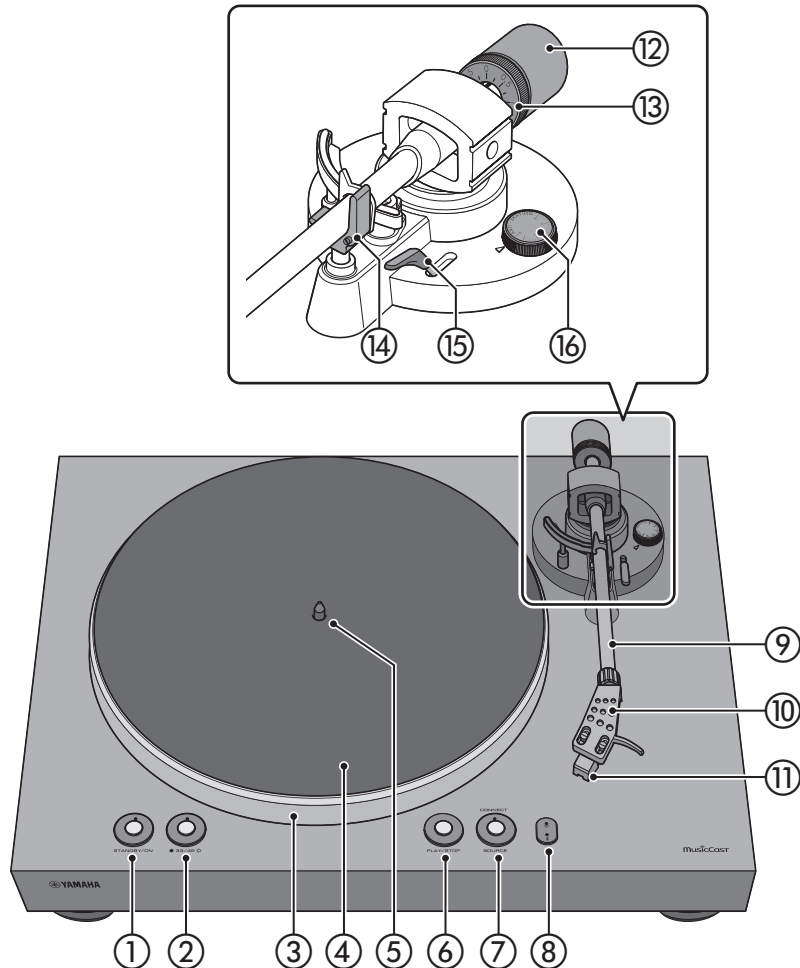
Lieferumfang überprüfen

Stellen Sie sicher, dass alles vorhanden ist.

<input type="checkbox"/> Plattenteller x1 	<input type="checkbox"/> Plattentellerauflage x1 	<input type="checkbox"/> Riemen x1 * Der Riemen ist am Teller angebracht.
<input type="checkbox"/> Gegengewicht x1 	<input type="checkbox"/> Tonabnehmer x1 (mit Träger) 	<input type="checkbox"/> Adapter für 45 U/min x1 
<input type="checkbox"/> Haube x1 	<input type="checkbox"/> Haubenscharnier x2 	<input type="checkbox"/> Stereo-Cinchkabel x1 
<input type="checkbox"/> Netzgerät x1 * Näheres finden Sie im „Beiheft“.	<input type="checkbox"/> Vorliegende Bedienungsanleitung <input type="checkbox"/> Beiheft	

Teile und deren Funktionen

Oberseite



① Netztastte **STANDBY/ON**

Zum Umschalten der Stromversorgung des Geräts zwischen „Ein“ und „Standby“ (Aus). (⇒ Seite 20)

Netzanzeige **STANDBY/ON**

Zum Anzeigen des Stromversorgungsstatus des Geräts.

Leuchtet: Gerät ist eingeschaltet.

Leuchtet schwach: Das Gerät befindet sich im Netzwerk-Standby-Modus (⇒ Seite 20)

Leuchtet nicht: Das Gerät befindet sich im Eco-Standby-Modus (⇒ Seite 20)

② 33/45 (Geschwindigkeit) (⇒ Seite 24)

Geschwindigkeitsanzeige (⇒ Seite 24)

③ Plattenteller (⇒ Seite 13)

④ Plattentellerauflage (⇒ Seite 14)

⑤ Achse (⇒ Seite 13)

⑥ PLAY/STOP (Wiedergabe/Stop) (⇒ Seite 24)

Zum Antreiben/Anhalten des Plattentellers.

HINWEIS

- ◆ Ist die Audioquelle eine Netzwerk- oder Bluetooth-Quelle, wird diese wiedergegeben/gestoppt.

⑦ SOURCE

Zum Auswählen der Audioquelle für dieses Gerät. Bei jedem Druck wechselt die Quelle zwischen PHONO, Netzwerk und Bluetooth.

HINWEIS

- ◆ Die Quelle kann umgeschaltet werden, wenn der Audioausgangswahlschalter an der Rückseite des Geräts auf LINE OUT gestellt ist.

Quellenanzeige SOURCE

Die Farbe der Anzeige ändert sich je nach der Quelle.

Quelle	Anzeigenfarbe
PHONO	Weiß
Netzwerk (AirPlay)	Rosa
Netzwerk (nicht AirPlay)	Grün
Bluetooth	Blau

HINWEIS

- ◆ Wenn neue Firmware bereitgestellt wird, blinkt die Anzeige orange. (⇒ Seite 32)

CONNECT

Zum Einrichten der Netzwerkverbindung mit MusicCast CONTROLLER. (⇒ Seite 21)

⑧ WLAN-Anzeige 

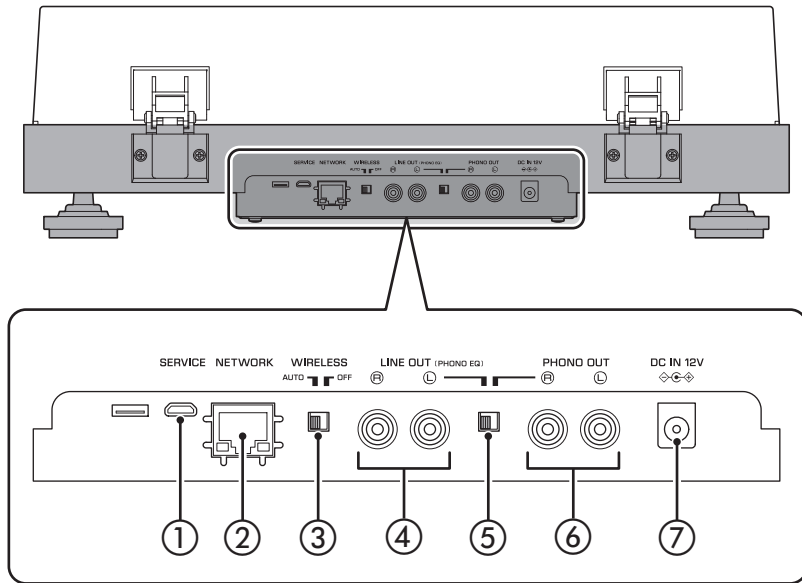
Leuchtet, wenn dieses Gerät kabellos verbunden ist. (⇒ Seite 21)

Bluetooth-Anzeige 

Leuchtet, wenn dieses Gerät mit einem Bluetooth-Gerät verbunden ist. (⇒ Seite 28)

⑨ Tonarm (⇒ Seite 14)**⑩ Tonabnehmer-Träger (⇒ Seite 14)****⑪ Tonabnehmer****⑫ Gegengewicht (⇒ Seite 19)****⑬ Gegengewicht-Einstellung (⇒ Seite 19)****⑭ Tonarm-Ablage (⇒ Seite 18)****⑮ Tonarm-Lifthebel (⇒ Seite 24)****⑯ Antiskating (⇒ Seite 20)**

Rückseite



① Buchse **SERVICE**

Nur für Wartungszwecke. Wird normalerweise nicht verwendet.

② Buchse **NETWORK**

Zum Verbinden mit Ihrem Netzwerk über ein (handelsübliches) LAN-Kabel.

③ Schalter **WIRELESS**

Aktiviert/deaktiviert die Drahtlosnetzwerk-Funktion des Geräts (einschließlich Bluetooth).

AUTO (Vorgabe): Drahtlosnetzwerk-Funktion aktiviert.

OFF: Drahtlosnetzwerk-Funktion deaktiviert.

④ Buchsen **LINE OUT**

Für die Audioausgabe von Schallplatten oder der Netzwerkquelle. (⇒ Seite 16)

⑤ Audioausgangs-Wahlschalter

Zum Umschalten des Audioausgangs. (⇒ Seite 16)

LINE OUT (Vorgabe): Das Signal vom Tonabnehmer wird durch den in diesem Gerät eingebauten Phono-Equalizer verstärkt und an die Buchsen LINE OUT gespeist.

PHONO OUT: Das Signal vom Tonabnehmer wird direkt an die Buchsen PHONO OUT gespeist.

⑥ Buchsen **PHONO OUT**

Für die Ausgabe des Schallplatten-Audiosignals. (⇒ Seite 17)

⑦ Buchse **DC IN**

Zum Anschließen des (im Lieferumfang enthaltenen) Netzadapters. (⇒ Seite 16)

Vorbereitungen

Aufstellort

Da die Wiedergabe von Schallplatten leicht durch Vibrationen beeinträchtigt wird, sollten Sie das Gerät an einem ebenen Ort aufstellen, der keinen externen Vibrationen ausgesetzt ist.

Stellen Sie es ausreichend weit von Ihrem Lautsprechersystem entfernt auf, damit es nicht dem Schalldruck oder Vibrationen ausgesetzt ist.

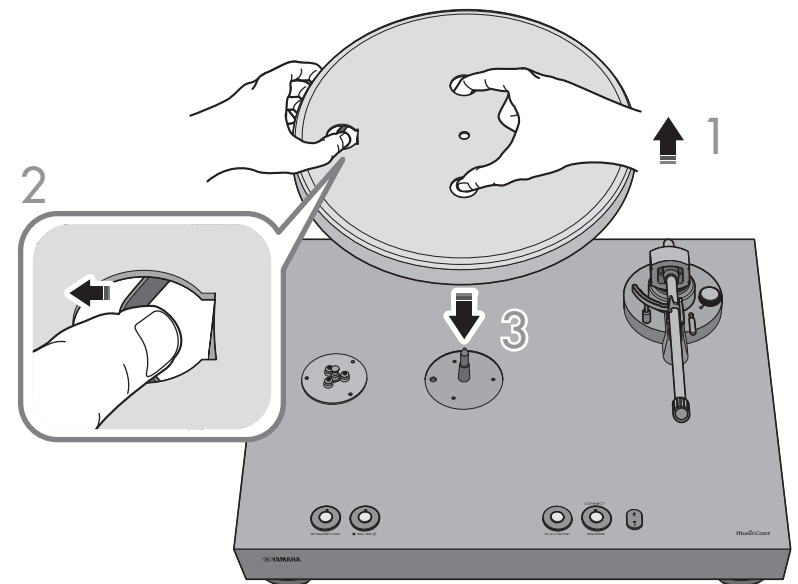
Zusammenbau

Gerät zusammenbauen

- 1 Heben Sie den Plattenteller.
- 2 Greifen Sie den Riemen mit einem Finger durch die runde Öffnung im Plattenteller und ziehen Sie ihn nach außen.
- 3 Setzen Sie den Plattenteller auf die Achse ab.

VORSICHT

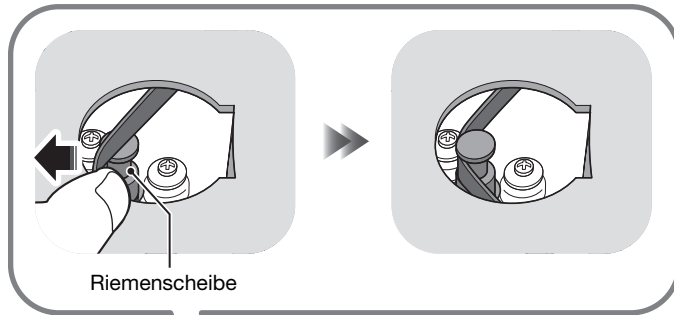
- ◆ Den Plattenteller nicht fallen lassen. Ein Sturz könnte zu Verletzungen führen oder das Gerät beschädigen.



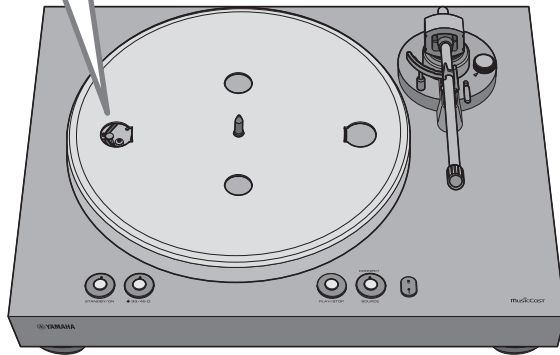
4 Richten Sie die runde Öffnung im Plattenteller auf die Riemenscheibe aus.

5 Spannen Sie den Riemen mit dem Finger auf die Riemenscheibe.

Der Riemen darf nicht verdreht werden. Drehen Sie den Plattenteller mehrmals, um sicherzustellen, dass der Riemen sachgemäß auf die Riemenscheibe aufgespannt wurde.



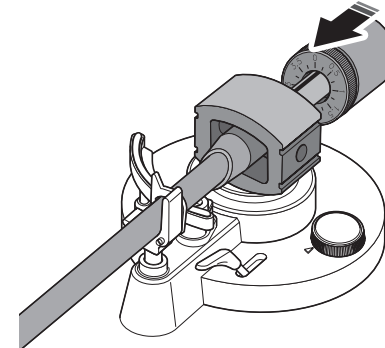
Riemenscheibe



6 Legen Sie die Auflage auf den Plattenteller.

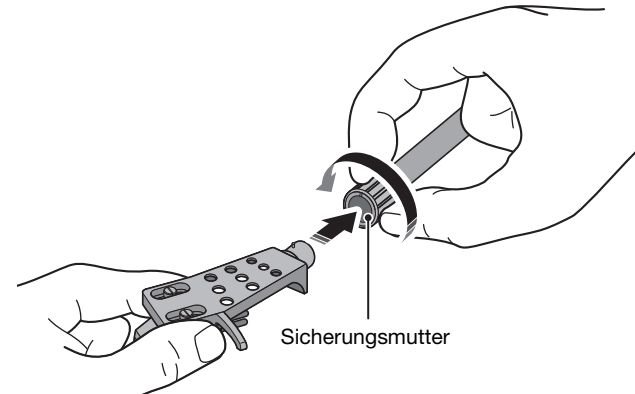
7 Bringen Sie das Gegengewicht am Tonarm an.

Schieben Sie das Gegengewicht mit vorwärts gerichteten Markierungen am hinteren Ende des Tonarms auf.



8 Bringen Sie den Tonabnehmer-Träger am Tonarm an.

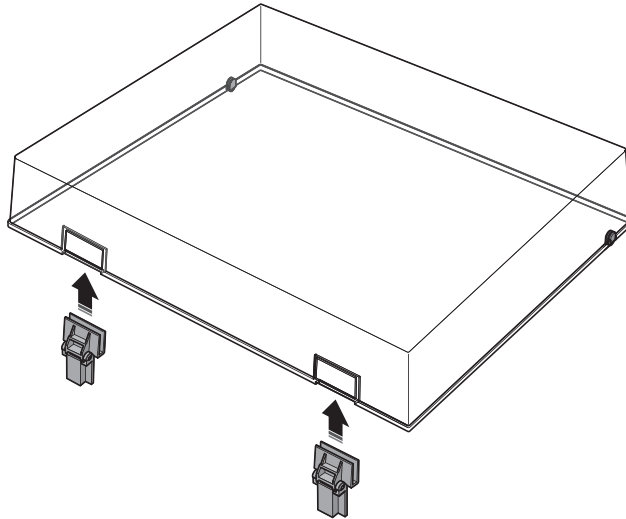
Stecken Sie den Tonabnehmer-Träger am vorderen Ende des Tonarms auf und befestigen Sie ihn mit der Sicherungsmutter.



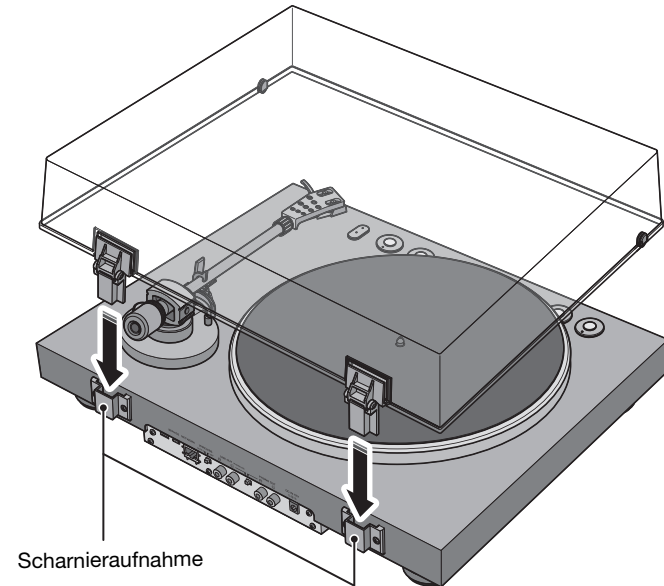
Haube anbringen

Die Haube schützt das Gerät vor Staub usw.

- 1 Setzen Sie die Scharniere an beiden entsprechenden Stellen an der Haube ein.



- 2 Bringen Sie die Haube an, indem Sie die Scharniere in die entsprechenden Aufnahmen an der Rückseite des Geräts einsetzen.



HINWEIS

- ◆ Zum Abnehmen der Haube, greifen Sie diese an beiden Seiten und heben sie langsam samt Scharnieren an.

! VORSICHT

- ◆ Öffnen und schließen Sie die Haube vorsichtig, damit Sie sich nicht die Hände oder Finger einklemmen.

Verbindungen herstellen

Verbindung mit einem Verstärker

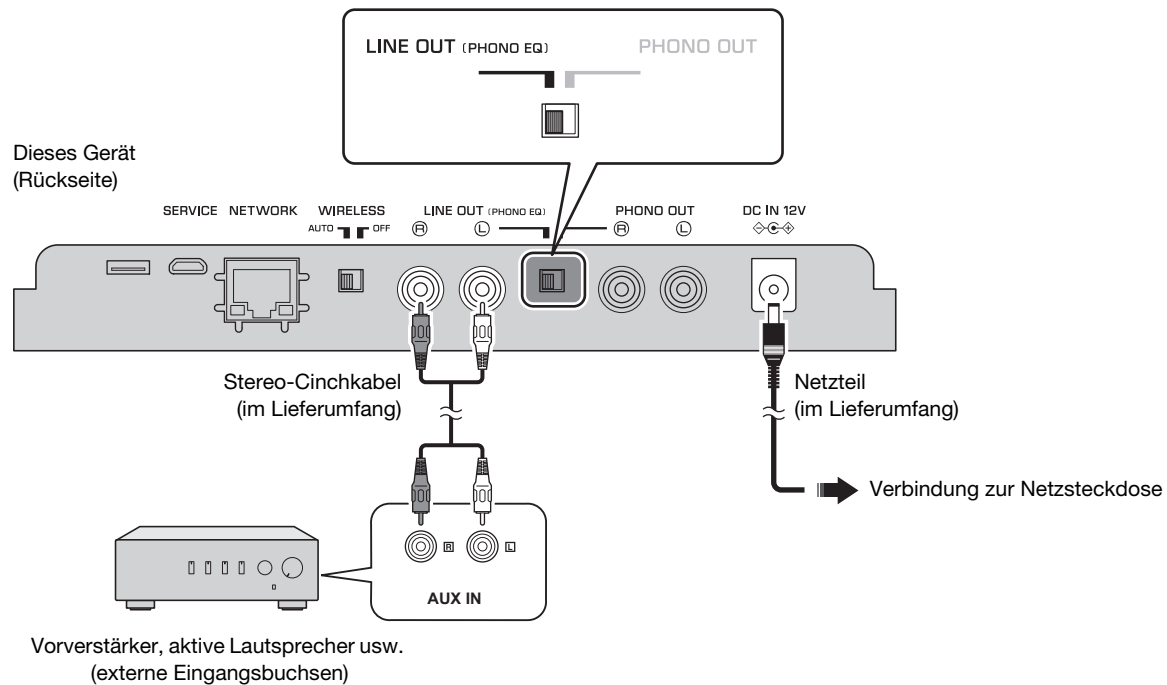
Stellen Sie die Verbindungen wie folgt dargestellt her.

■ Bei Verwendung der Buchsen LINE OUT dieses Geräts

Quellen, die wiedergegeben werden können: Schallplatten, alle Netzwerkquellen einschließlich Internetradio, Bluetooth

⚠ VORSICHT

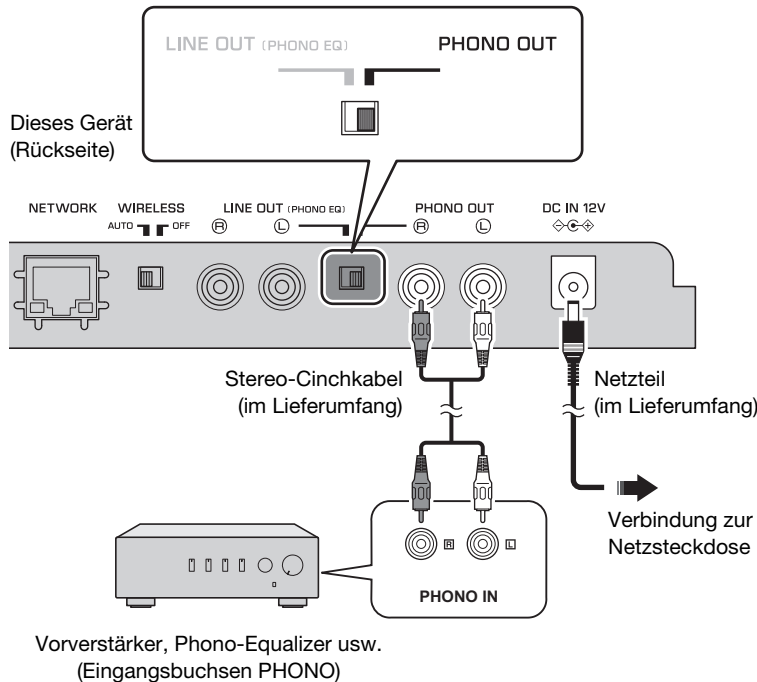
- ◆ Stecken Sie die Netzkabel aller Geräte erst dann in die Netzsteckdose, wenn alle anderen Verbindungen abgeschlossen sind und der Audioausgangs-Wahlschalter in der gewünschten Stellung ist.



■ Bei Verwendung der Buchsen PHONO OUT dieses Geräts

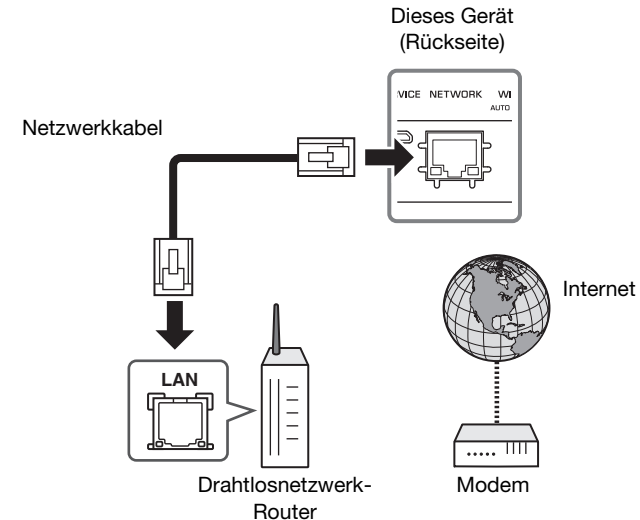
Quellen, die wiedergegeben werden können: Schallplatten

Die Netzwerkfunktion dieses Geräts steht nicht zur Verfügung.



Anschließen eines Netzkabels

Für eine kabelgebundene Netzwerkverbindung verbinden Sie dieses Gerät über ein handelsübliches STP-Netzkabel (Twisted-Pair-Kabel mit Abschirmung, CAT-5 oder höher, nicht gekreuzt) mit Ihrem Router. Für eine drahtlose Netzwerkverbindung mit "Gerät mit dem Netzwerk verbinden" (⇒ Seite 21) fortfahren.



HINWEIS

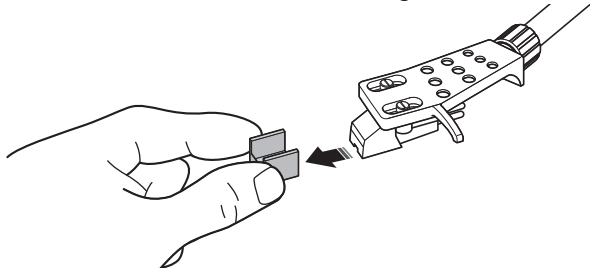
- ◆ Verbinden Sie das Netzkabel, bevor Sie dieses Gerät einschalten.
- ◆ Sie können eine Kabelverbindung zum Netzwerk herstellen unabhängig davon, ob der Schalter WIRELESS auf der Rückseite des Geräts auf AUTO oder OFF steht. (⇒ Seite 12)
- ◆ Ist das Gerät bereits drahtlos mit dem Netzwerk verbunden, schalten Sie das Gerät in den Standby-Modus, schließen Sie das Netzkabel an, schalten Sie den Schalter WIRELESS auf der Rückseite auf OFF, und schalten Sie das Gerät dann ein. (⇒ Seite 12)

Einstellungen vornehmen

Abtastnadeldruck einstellen

Stellen Sie den Tonarm so ein, dass ein geeigneter Abtastnadeldruck auf der Schallplatte ausgeübt wird.

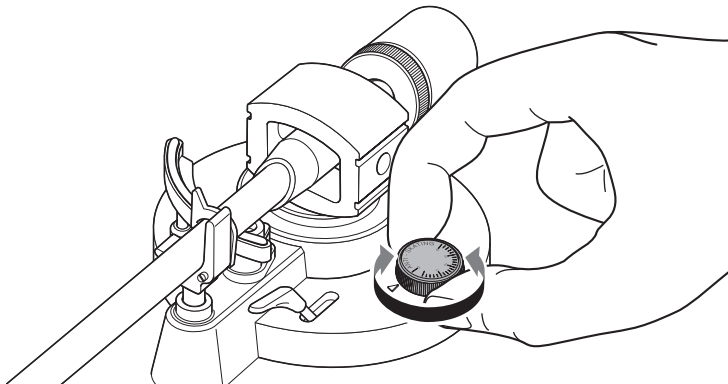
1 Nehmen Sie die Abtastnadel-Abdeckung ab.



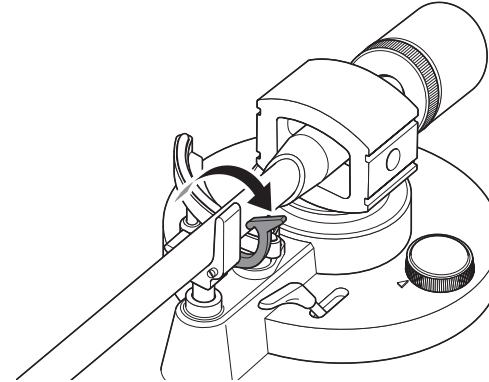
ACHTUNG

- ◆ Sorgen Sie dafür, dass weder die Abdeckung noch Ihr Finger die Abtastnadel berührt.

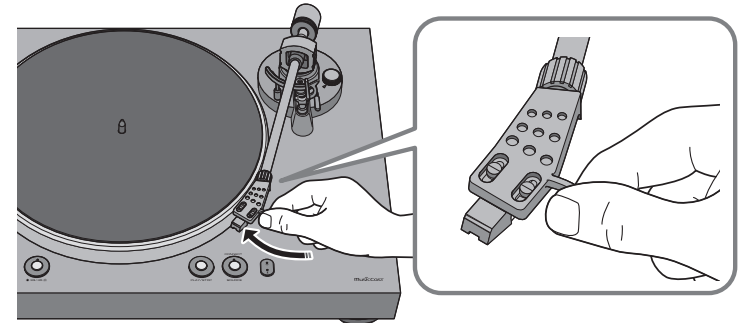
2 Stellen Sie das Antiskating auf „0“ ein.



3 Geben Sie die Tonarmsicherung frei.



4 Bringen Sie den Tonarm von der Ablage etwas nach links.



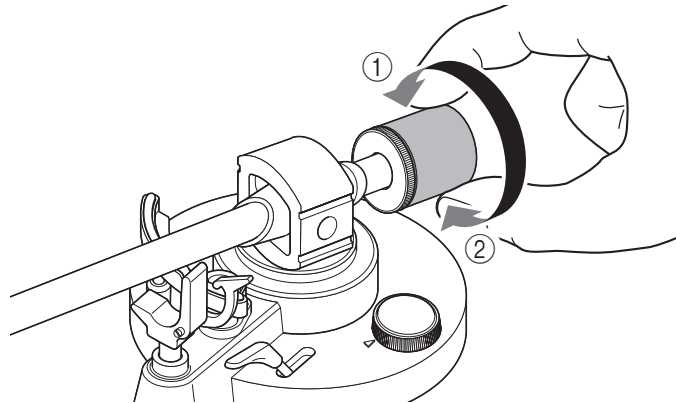
ACHTUNG

- ◆ Sorgen Sie dafür, dass die Abtastnadel das Gerät nirgends berührt.

5 Drehen Sie das Gegengewicht so, dass der Tonarm horizontal bleibt.

Nach ①: Das Gegengewicht bewegt sich nach vorne auf dem Tonarm.

Nach ②: Das Gegengewicht bewegt sich nach hinten auf dem Tonarm.



Richtig



Tonarm ist horizontal (im Gleichgewicht)

Falsch



Gegengewicht zu weit nach vorne

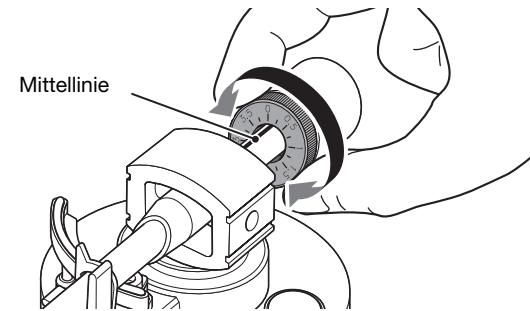
Falsch



Gegengewicht zu weit nach hinten

6 Bringen Sie den Tonarm zurück auf die Ablage und sichern ihn.

7 Drehen Sie den Einstellring so, dass die 0-Markierung auf die Mittellinie am hinteren Ende des Tonarms ausgerichtet ist.

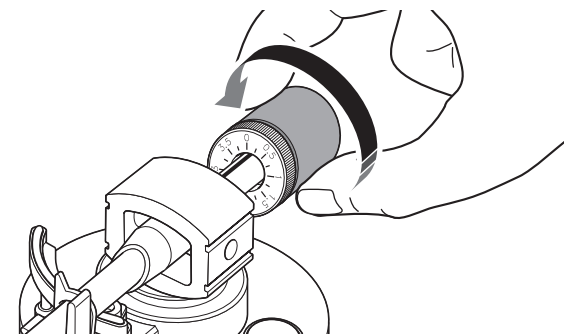


HINWEIS

◆ Drücken Sie beim Drehen des Einstellrings das Gegengewicht so mit den Fingern, dass es nicht mit dreht.

8 Drehen Sie das Gegengewicht so, dass die Einstellring-Markierung der Vorgabe für den Abtastnadeldruck des Tonabnehmers entspricht.

Die Abtastnadeldruck-Vorgabe für den im Lieferumfang enthaltenen Tonabnehmer beträgt 3,5 g.



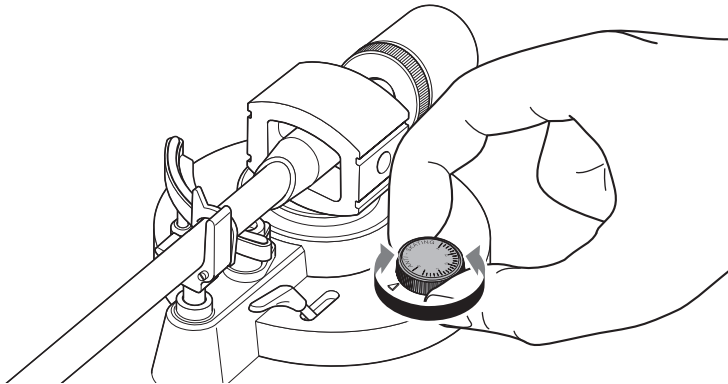
HINWEIS

◆ Beim Drehen des Gegengewichts dreht der Einstellring mit.

Antiskating einstellen

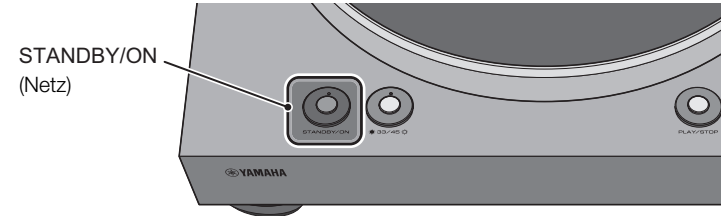
Beim Drehen des Plattentellers entsteht eine Kraft, welche die Abtastnadelspitze in Richtung des Rotationszentrums zieht. Wird das Antiskating auf denselben Wert wie der Abtastnadeldruck eingestellt, entsteht eine Kraft, welche die Nadelspitze abseits vom Rotationszentrum zieht, und beide Kräfte heben sich gegenseitig auf.

- 1 Stellen Sie das Antiskating auf denselben Wert wie der Abtastnadeldruck für den Tonabnehmer ein.




Einschalten

Drücken Sie zum Einschalten des Geräts die Netztaaste STANDBY/ON auf der Oberseite des Geräts. Drücken Sie die Netztaaste STANDBY/ON erneut, um das Gerät in den Standby-Modus zu schalten.



HINWEIS

- ◆ Beim ersten Einschalten oder Initialisieren des Geräts mag die WLAN-Anzeige  blinken. Wenn die Anzeige blinkt, können Sie eine Verbindung zum drahtlosen Netzwerk herstellen, indem Sie die Netzwerkeinstellungen Ihres iOS-Geräts freigeben. (⇒ Seite 33) Um Musik von verschiedenen Netzwerkquellen wiedergeben zu können, stellen Sie mit MusicCast CONTROLLER eine Verbindung mit Ihrem Netzwerk her. (⇒ Seite 21)

Über die Standby-Modi dieses Geräts

Dieses Gerät verfügt über zwei Standby-Modi.

Netzwerk-Standby: Dieses Gerät kann über ein Netzwerkgerät eingeschaltet werden. (Der Audioausgangs-Wahlschalter muss auf LINE OUT stehen.)

Eco-Standby: Dieser Modus verringert die Standby-Leistungsaufnahme.

HINWEIS

- ◆ Sie können die Standby-Einstellung mit Ihrem Webbrowser auf Eco ändern. (⇒ Seite 31)
- ◆ Wenn Sie vorübergehend auf den Eco-Standby-Modus wechseln möchten, halten Sie die Netztaaste STANDBY/ON bei eingeschaltetem Gerät fünf Sekunden lang gedrückt. (Der Audioausgangs-Wahlschalter muss auf LINE OUT stehen.)

Gerät mit dem Netzwerk verbinden

In diesem Abschnitt wird erläutert, wie das Gerät in MusicCast registriert und für die Netzwerkverbindung eingerichtet wird.

Auch wenn dieses Gerät über ein Kabel mit dem Netzwerk verbunden ist, ist die MusicCast-Registrierung erforderlich, um Netzwerkquellen wiederzugeben.

HINWEIS

- ◆ Für die stabile Wiedergabe von hochauflösenden Audioquellen über das Netzwerk empfiehlt sich eine Kabelverbindung. (⇒ Seite 17)
- ◆ Ihr Mobilgerät muss bereits mit dem WLAN-Router (Access Point) verbunden sein.

1 Installieren Sie MusicCast CONTROLLER auf Ihrem Mobilgerät.

Suchen Sie im App Store oder bei Google Play nach MusicCast CONTROLLER (kostenlos) und installieren es auf Ihrem Mobilgerät.

Näheres über MusicCast CONTROLLER finden Sie auf folgender Website.

<https://www.yamaha.com/musiccast/>



MusicCast CONTROLLER ist eine App zur Steuerung von Geräten, die MusicCast unterstützen. Sie können damit Musik unter mehreren MusicCast-fähigen Geräten, die sich in verschiedenen Räumen befinden, freigeben. Sie können Ihr Smartphone oder ein anderes Mobilgerät als Fernbedienung verwenden und auf dem MusicCast-fähigen Gerät bequem Titel auswählen und Einstellungen vornehmen.

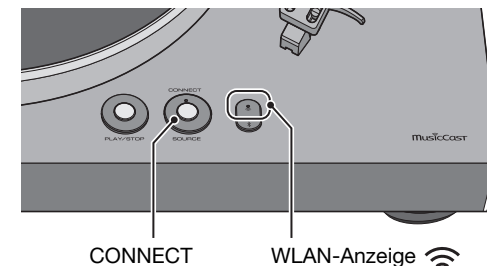
2 Starten Sie MusicCast CONTROLLER auf Ihrem Mobilgerät und tippen dann auf „Einrichtung“.



Hier tippen.

3 Bedienen Sie MusicCast CONTROLLER gemäß den Bildschirmanweisungen Ihres Mobilgeräts und halten Sie die Taste CONNECT auf der Oberseite des Geräts fünf Sekunden lang gedrückt.


Die WLAN-Anzeige  blinkt.



CONNECT

WLAN-Anzeige 


4 Bedienen Sie MusicCast CONTROLLER entsprechend den Bildschirmanweisungen Ihres Mobilgeräts, um die Netzwerkeinstellungen zu konfigurieren.

Wenn dieses Gerät mit dem Netzwerk verbunden ist, leuchtet die WLAN-Anzeige .

Das Gerät ist nun in MusicCast registriert, und die Netzwerkeinstellungen sind abgeschlossen.

Bedienen Sie MusicCast CONTROLLER, um Musik wiederzugeben.

HINWEIS

- ◆ Um zusätzliche MusicCast-fähige Geräte einzurichten, tippen Sie auf  (Einstellungen) in der oberen rechten Ecke des MusicCast CONTROLLER-Bildschirms und wählen dann „Neues Gerät hinzufügen“.



Hier tippen, um mit der Einstellung zu beginnen.

Wiedergabe

Schallplatte wiedergeben

Die Wiedergabe einer Schallplatte geschieht wie folgt.

■ Wiedergabe starten

VORSICHT

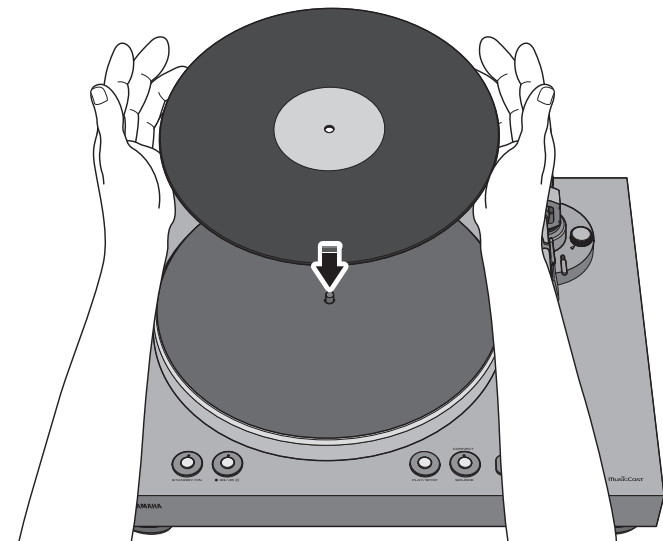
- ◆ Wenn Sie vor der Wiedergabe einer Schallplatte die Lautstärke Ihres Verstärkers nicht ausreichend verringern, kann ein lauter Ton auftreten, wenn die Abtastnadelspitze die Platte berührt. Da dies zu Gehörverlust führen sowie Ihren Verstärker und Lautsprecher beschädigen kann, sorgen Sie dafür, die Lautstärke Ihres Verstärkers zu verringern.
- ◆ Wenn Sie bei der Wiedergabe einer Schallplatte über die Buchsen LINE OUT die Quelle von PHONO auf Netzwerk oder Bluetooth umschalten, bleibt der Plattenteller stehen.

HINWEIS

- ◆ MusicCast CONTROLLER kann die Wiedergabe der Platte nicht starten/stoppen oder die Geschwindigkeit ändern.

1 Öffnen Sie die Haube und legen die Schallplatte auf den Plattenteller.

Verwenden Sie zum Abspielen einer 45-U/min-Platte den im Lieferumfang enthaltenen Adapter für 45 U/min.



- 2 Drücken Sie 33/45 (Geschwindigkeit), um die für die Platte geeignete Geschwindigkeit auszuwählen.

Die Geschwindigkeit wechselt bei jedem Druck auf 33/45 (Geschwindigkeit).

Geschwindigkeitsanzeige leuchtet: 33 1/3 U/min

Geschwindigkeitsanzeige leuchtet nicht: 45 U/min

- 3 Drücken Sie SOURCE, um die Quelle auf PHONO umzuschalten.

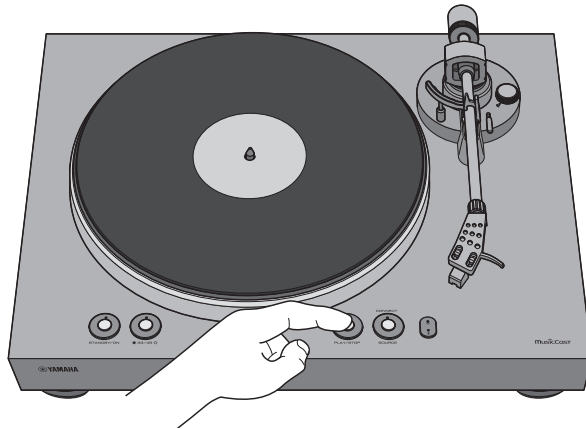
Die Anzeige SOURCE leuchtet weiß.

HINWEIS

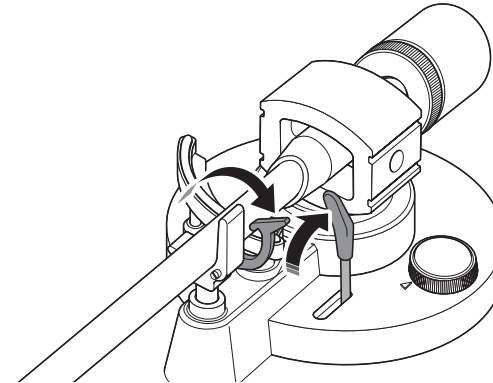
- ◆ Steht der Audioausgangs-Wahlschalter auf PHONO OUT, muss die Quelle nicht umgeschaltet werden.

- 4 Drücken Sie PLAY/STOP (Wiedergabe/Stopp).

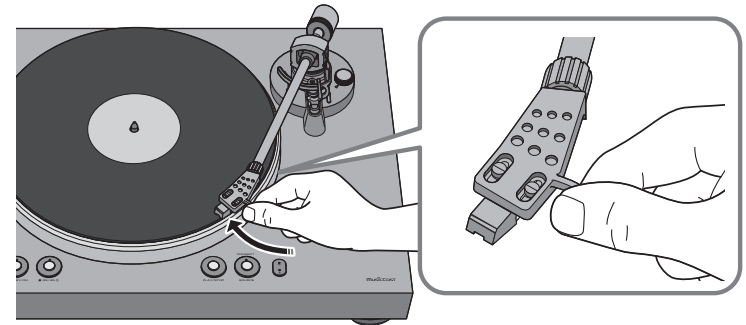
Der Plattenteller dreht.



- 5 Geben Sie die Tonarmsicherung frei und heben den Tonarm-Lifthebel an.

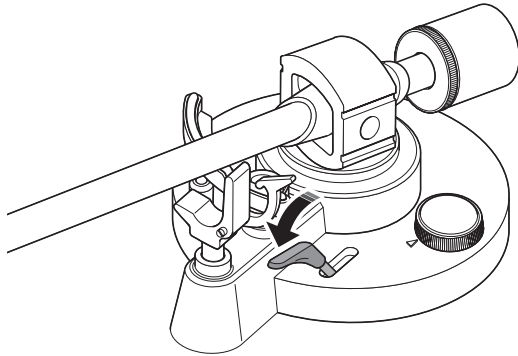


- 6 Bringen Sie den Tonarm zur Startposition für die Wiedergabe der Schallplatte.



7 Senken Sie den Tonarm-Lifthebel ab.

Der Tonarm wird abgesenkt, und die Wiedergabe beginnt.



■ Wiedergabe abbrechen

Wird der Tonarm-Lifthebel angehoben, hebt sich der Tonarm, und die Wiedergabe wird angehalten.

Wird der Tonarm-Lifthebel abgesenkt, wird die Wiedergabe fortgesetzt.

■ Wiedergabe stoppen

- 1 Heben Sie den Tonarm-Lifthebel an.
- 2 Bringen Sie den Tonarm zurück auf die Ablage.
- 3 Senken Sie den Tonarm-Lifthebel ab.
- 4 Drücken Sie **PLAY/STOP** (Wiedergabe/Stopp).
Der Plattenteller bleibt stehen.
- 5 Sichern Sie den Tonarm.

HINWEIS

- ◆ Der Tonarm wird am Ende der Schallplatte nicht automatisch angehoben.
- ◆ Sollten Sie das Gerät längere Zeit nicht benutzen, schützen Sie die Abtastnadel mit der Abdeckung.

Internetradio wiedergeben

Wählen Sie wie folgt mit MusicCast CONTROLLER (auf Ihrem Mobilgerät installiert) einen Internetradiosender aus.

HINWEIS

- ◆ Bevor Sie einen Sender auswählen, registrieren Sie dieses Gerät mit MusicCast. (⇒ Seite 21)
- ◆ Gewisse Internetradiosender sind möglicherweise nicht immer oder nur zu bestimmten Zeiten verfügbar.
- ◆ Dieses Gerät verwendet den Dienst „airable.radio“. Dieser Dienst wird von Tune In GmbH bereitgestellt.
- ◆ Dieser Dienst kann ohne Vorankündigung beendet werden.

- 1 Wählen Sie mit MusicCast CONTROLLER den Raum aus, in dem sich dieses Gerät befindet (z.B. Room 1).
- 2 Tippen Sie auf „Net Radio“.
- 3 Wählen Sie die Internetradiosender, den Sie hören möchten.

Streaming-Dienst wiedergeben

Sie können mit MusicCast CONTROLLER (auf Ihrem Mobilgerät installiert) einen Streaming-Dienst wiedergeben. Näheres über Streaming-Dienste finden Sie in den zusätzlichen Erläuterungen über die in Ihrem Wohngebiet verfügbaren Streaming-Dienste. Sie können die ergänzenden Erläuterungen von der Yamaha-Downloads-Website herunterladen.

<https://download.yamaha.com/>

HINWEIS

- ◆ Die Verfügbarkeit der Dienste ist geografisch beschränkt.
- ◆ Vom Gerät unterstützte Dienste mögen in Abhängigkeit des Erwerbortes des Geräts nicht verfügbar sein.
- ◆ Ein Dienst kann ohne Vorankündigung geändert oder beendet werden.

Auf einem Media-Server (PC/NAS) gespeicherte Musikdateien wiedergeben

Sie können auf dem Gerät Musikdateien wiedergeben, die auf Ihrem PC oder DLNA-kompatiblen NAS (Network Attached Storage)-Gerät gespeichert sind.

HINWEIS

- ◆ Der Ton kann bei einer drahtlosen Netzwerkverbindung unterbrochen werden. Verwenden Sie in solchem Fall eine kabelgebundene Netzwerkverbindung. (⇒ Seite 17)
- ◆ Näheres über die Dateiformate, die von dem Gerät wiedergegeben werden können, siehe "Unterstützte Geräte und Dateiformate" (⇒ Seite 41). Beziehen Sie sich ebenfalls auf die technischen Daten des NAS-Geräts.

Medienfreigabe einrichten

Um auf dem Gerät Musik wiederzugeben, die auf Ihrem PC (oder NAS-Gerät) gespeichert ist, müssen Sie die Medienfreigabe zwischen diesem Gerät und den anderen Geräten einrichten.

■ Für einen PC mit Windows Media Player

Das Einstellverfahren kann in Abhängigkeit des PCs oder der Version von Windows Media Player abweichen. Die folgenden Anweisungen beruhen auf das Beispiel von Windows Media Player 12.

HINWEIS

- ◆ Die Methode hängt vom Computer und den Einstellungen ab, die Sie verwenden. Näheres hierzu erhalten Sie vom Hersteller Ihres Computers oder in der Hilfe für Windows Media Player.

- 1 Starten Sie Windows Media Player 12 auf Ihrem PC.
- 2 Wählen Sie „Stream“, dann „Turn on media streaming“.

- 3 Klicken Sie auf „Turn on media streaming“.

- 4 Wählen Sie „Allowed“ aus der Dropdown-Liste neben dem Modellnamen des Geräts.

- 5 Klicken Sie zum Beenden auf „OK“.

■ Für einen PC oder NAS mit anderer DLNA-Server-Software als Windows Media Player

Konfigurieren Sie die Medienfreigabe-Einstellungen gemäß der Bedienungsanleitung des Geräts oder der Software.

Musikdateien wiedergeben

Die Wiedergabe mit MusicCast CONTROLLER (auf Ihrem Mobilgerät installiert) geschieht wie folgt.

HINWEIS

- ◆ Registrieren Sie das Gerät als MusicCast-fähiges Gerät, bevor Sie Musikdateien wiedergeben. (⇒ Seite 21)

- 1 Wählen Sie mit MusicCast CONTROLLER den Raum aus, in dem sich dieses Gerät befindet (z.B. Room 1).
- 2 Tippen Sie auf „Server“.
- 3 Folgen Sie den Bildschirmanweisungen, um einen Titel auszuwählen.

Musik über Bluetooth wiedergeben

Sie können mit dem Gerät Musikdateien wiedergeben, die auf einem Bluetooth-Gerät (z.B. Smartphone) gespeichert sind.

HINWEIS


- ◆ Um die Bluetooth-Funktion zu verwenden, stellen Sie den Schalter **WIRELESS** auf der Rückseite dieses Geräts auf **AUTO**. (⇒ Seite 12)
- ◆ Näheres über unterstützte Bluetooth-Geräte finden Sie unter „Unterstützte Geräte und Dateiformate“ (⇒ Seite 41).

1 Drücken Sie **SOURCE** auf der Oberseite des Geräts, um die Quelle auf **Bluetooth** umzuschalten.

Die Anzeige **SOURCE** leuchtet blau.

2 Aktivieren Sie die Bluetooth-Funktion auf dem Bluetooth-Gerät.

3 Wählen Sie auf dem Bluetooth-Gerät dieses Gerät aus der Liste verfügbarer Geräte.

Wenn dieses Gerät mit dem Bluetooth-Gerät verbunden ist, leuchtet die Bluetooth-Anzeige .

HINWEIS

- ◆ Wenn Sie zur Eingabe eines Pairing-Codes aufgefordert werden, geben Sie die Zahlen „0000“ ein.
- ◆ Wurde das Gerät in MusicCast registriert, erscheint der Raumname in der Liste verfügbarer Geräte.

4 Wählen Sie auf dem Bluetooth-Gerät einen Titel aus und starten die Wiedergabe.

HINWEIS

- ◆ Wenn das Gerät ein zuvor verbundenes Bluetooth-Gerät erkennt, erstellt es nach Schritt 1 automatisch eine Verbindung mit dem Bluetooth-Gerät. Um eine andere Bluetooth-Verbindung zu erstellen, trennen Sie zunächst die aktuelle Bluetooth-Verbindung.
- ◆ Brechen Sie die Bluetooth-Verbindung auf eine der folgenden Weisen ab:
 - Trennen Sie die Verbindung mit dem Bluetooth-Gerät.
 - Wählen Sie eine andere Quelle als „Bluetooth“ für dieses Gerät aus.
- ◆ Wenn Bluetooth-Standby aktiviert ist, schaltet das Gerät sich ein, wenn auf dem Bluetooth-Gerät ein Verbindungsvorgang durchgeführt wird. (⇒ Seite 31)

Musik mit AirPlay wiedergeben

Mit AirPlay können Sie iTunes- oder iPhone-Musikdateien über ein Netzwerk wiedergeben.

HINWEIS

- ◆ Erkennt das iOS-Gerät das Gerät nicht, prüfen Sie Ihre Netzwerkkumgebung (z.B. Router).
- ◆ Näheres über unterstützte iOS-Geräte finden Sie unter „Unterstützte Geräte und Dateiformate“ (⇒ Seite 41).

1 Starten Sie iTunes oder zeigen Sie den Wiedergabebildschirm auf dem iOS-Gerät an.

Wenn iTunes bzw. das iOS-Gerät das Gerät erkennt, wird das AirPlay-Symbol angezeigt.

Beispiel (iOS 10)



Beispiel (iTunes)



2 Klicken (tippen) Sie in iTunes oder auf dem iOS-Gerät auf das AirPlay-Symbol und wählen Sie dieses Gerät als Audioausgabeziel aus.

3 Wählen Sie in iTunes oder auf dem iOS-Gerät einen Titel aus, um die Wiedergabe zu starten.

Die Quelle dieses Geräts wechselt automatisch auf Netzwerk (Airplay), und die Wiedergabe beginnt.

Die Anzeige SOURCE leuchtet rosa.

Mit MusicCast CONTROLLER Favoriten speichern

Sie können bis zu 40 Inhalte (auf Ihrem PC gespeicherte Titel und Internetradiosender) als Favoriten speichern.

- 1 Geben Sie einen zu speichernden Titel oder Internetradiosender wieder.
- 2 Tippen Sie auf dem Wiedergabebildschirm auf **...**, dann auf „Zu Favoriten hinzufügen“.



Hier tippen.

■ Gespeicherte Inhalte abrufen

- 1 Wählen Sie mit MusicCast CONTROLLER den Raum aus, in dem sich dieses Gerät befindet (z.B. Room 1).
- 2 Tippen Sie auf „Favoriten“ und wählen Sie den wiederzugebenden Inhalt aus.



Detaillierte Einstellungen

Einstellungen mit MusicCast CONTROLLER vornehmen

Sie können mit MusicCast CONTROLLER Einstellungen für eine Vielzahl von Funktionen vornehmen.

Einschlaf-Timer einstellen

Diese Funktion schaltet das Gerät nach Ablauf der angegebenen Zeit automatisch in den Standby-Modus.

Einstellungen: Aus (Vorgabe), 30 Min., 60 Min., 90 Min., 120 Min.

HINWEIS

- ◆ Die Einstellung für den Einschlaf-Timer wird abgebrochen, wenn Sie eine der folgenden Bedienungen vorgenommen wird:
 - Das Gerät wird in den Bereitschaftsmodus geschaltet.
 - Das Gerät wird von der Steckdose getrennt.
 - Die Quelle wird auf PHONO umgeschaltet.
- ◆ Der Einschlaf-Timer kann nicht verwendet werden, wenn PHONO die ausgewählte Quelle ist.

Automatische Wiedergabe aktivieren/deaktivieren

Diese Funktion legt fest, ob Titel vom Computer (Server) automatisch wiedergegeben werden, wenn die Quelle auf Server umgeschaltet wird.

Einstellungen

Ein (Vorgabe): Die automatische Wiedergabe ist aktiviert.
Besitzt das Gerät einen Wiedergabespeicher wird der zuletzt wiedergegebene Gegenstand wiedergegeben. Liegt ein solcher Gegenstand nicht mehr vor, findet keine Wiedergabe statt.

Aus: Die automatische Wiedergabe ist deaktiviert.

Automatisches Standby aktivieren/deaktivieren

Diese Funktion schaltet das Gerät nach Ablauf der angegebenen Zeit automatisch in den Standby-Modus, sofern kein Wiedergabe- oder Bedienungsvorgang vorgenommen wurde.

Einstellungen

Aus: Das automatische Standby ist deaktiviert.

Ein: Das automatische Standby ist aktiviert.

Wurde auf diesem Gerät 20 Minuten lang keine Wiedergegeben oder acht Stunden lang keine Bedienung vorgenommen, schaltet das Gerät automatisch in den Standby-Modus.

Vorgabe

Großbritannien-, Europa- und Korea-Modelle: Ein

Andere Modelle: Aus

HINWEIS

- ◆ Die Netzanzeige STANDBY/ON blinkt unmittelbar vor Eintritt in den Standby-Modus.

Einstellungen über einen Webbrowser vornehmen

Sie können Einstellungen für dieses Gerät und für die Netzwerkverbindung in einem Webbrowser auf Ihrem Computer oder einem anderen Gerät vornehmen. Im Folgenden wird die Standby-Einstellung erläutert.

Verbinden Sie dieses Gerät mit dem Netzwerk, bevor Sie mit den folgenden Schritten fortfahren. (⇒ Seiten 17 und 21)

Einstellungsbildschirm anzeigen

Den Einstellungsbildschirm können Sie wie folgt auf Ihrem Computer anzeigen.

- 1 Zeigen Sie mit MusicCast CONTROLLER die IP-Adresse dieses Geräts an.
- 2 Starten Sie einen Webbrowser auf Ihrem Computer.
- 3 Geben Sie in der Adressleiste Ihres Webbrowsers die IP-Adresse des Geräts ein und drücken dann die Eingabetaste.

Der Einstellungsbildschirm wird angezeigt.

HINWEIS

- ◆ Dies ist nicht unbedingt mit allen Geräten und Browsern möglich.

■ Standby-Einstellung

Network Standby

Zum Festlegen, ob dieses Gerät über ein Netzwerkgerät eingeschaltet werden kann.

Auto (Vorgabe): Das Netzwerk-Standby ist aktiviert.
Ist dieses Gerät nicht mit einem Netzwerk verbunden, wird das Netzwerk-Standby automatisch deaktiviert. (Dieses Gerät schaltet in den Eco-Standby-Modus.)

On: Das Netzwerk-Standby ist aktiviert. Bei dieser Einstellung ist die Stromaufnahme des Geräts größer als bei „Off“.

Off: Das Netzwerk-Standby ist deaktiviert. (Dieses Gerät schaltet in den Eco-Standby-Modus.)

Bluetooth Standby

Zum Festlegen, ob dieses Gerät über ein Bluetooth-Gerät eingeschaltet werden kann. Bei der Einstellung „On“ schaltet dieses Gerät sich ein, wenn auf dem Bluetooth-Gerät ein Verbindungsvorgang durchgeführt wird.

On (Vorgabe): Das Bluetooth-Standby ist aktiviert. (Network Standby muss auf „Auto“ oder „On“ eingestellt sein.)

Off: Das Bluetooth-Standby ist deaktiviert.



Dank einer fortgeschrittenen energiesparenden Bauweise erzielt dieses Gerät eine niedrige Stromaufnahme von max. 2 W im Netzwerk-Standby-Modus.



Bei Bedarf

Firmware aktualisieren

Es wird je nach Bedarf neue Firmware mit zusätzlichen Funktionen oder Produktverbesserungen veröffentlicht. Sie können die Firmware mit MusicCast CONTROLLER (auf Ihrem Mobilgerät installiert) aktualisieren.

Wenn neue Firmware verfügbar ist, zeigt der Bildschirm von MusicCast CONTROLLER die Meldung „Neue Firmware jetzt installieren?“ an.

1 Tippen Sie auf „Ja“.

Die Firmware-Aktualisierung beginnt.


Während der Aktualisierung wird auf dem Bildschirm von MusicCast CONTROLLER ein Fortschrittsbalken angezeigt, und die Anzeige SOURCE dieses Geräts blinkt hellblau.

War die Aktualisierung erfolgreich, wird auf dem Bildschirm von MusicCast CONTROLLER „Update abgeschlossen“, und die Anzeige SOURCE dieses Geräts leuchtet hellblau.

ACHTUNG

- ◆ Während die Firmware aktualisiert wird, darf dieses Gerät nicht bedient noch von der Netzsteckdose getrennt werden.

HINWEIS

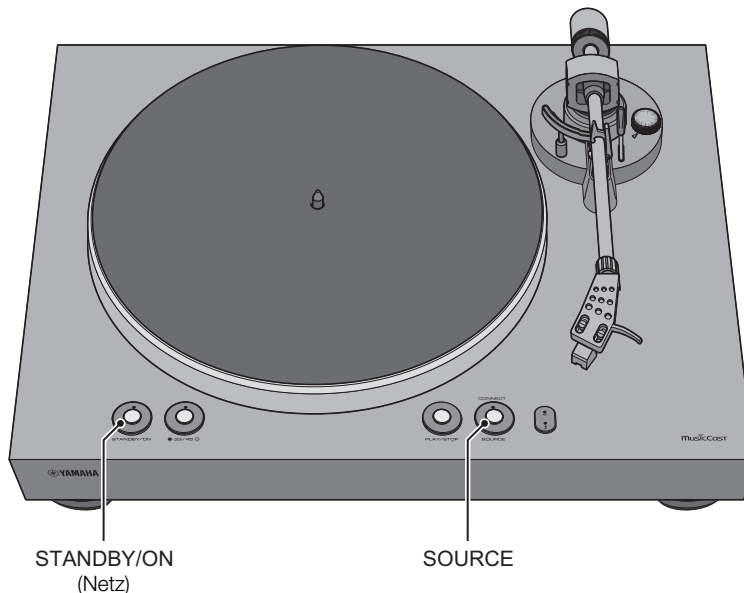
- ◆ Wenn Sie „Später“ ausgewählt haben, tippen Sie in MusicCast CONTROLLER auf  (Einstellungen) und wählen Sie „Neue Firmware ist verfügbar.“. Befolgen Sie die Bildschirmanweisungen zum Aktualisieren der Firmware.
- ◆ Wenn eine neue Firmware verfügbar ist, blinkt außerdem die Anzeige SOURCE orange, wenn das Gerät eingeschaltet ist.
- ◆ Wenn Sie nicht MusicCast CONTROLLER verwenden, startet die Firmware-Aktualisierung, wenn Sie im Standby-Modus des Geräts bei gedrückt gehaltener PLAY/STOP-Taste (Wiedergabe/Stopp) die Netztaete STANDBY/ON drücken.
- ◆ Näheres über die Firmware finden Sie auf der Yamaha-Website.

Einstellungen initialisieren

Die Einstellungen dieses Geräts können Sie wie folgt initialisieren.

- 1 Drücken Sie die Netztaste **STANDBY/ON**, um das Gerät in den Standby-Modus zu schalten.
- 2 Drücken Sie bei gedrückt gehaltener Taste **SOURCE** die Netztaste **STANDBY/ON**, um dieses Gerät einzuschalten.

Die Einstellungen werden initialisiert.



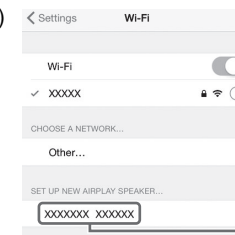
Netzwerkverbindung mit der WAC-Funktion vornehmen

Beim ersten Einschalten oder Initialisieren des Geräts blinkt die WLAN-Anzeige . (Außer wenn das Gerät bereits über ein Kabel mit dem Netzwerk verbunden ist oder wenn der Audioausgangs-Wahlschalter auf PHONO OUT steht) Während die Anzeige blinkt, können Sie eine Verbindung zum Drahtlosenetzwerk herstellen, indem Sie die Netzwerkeinstellungen Ihres iOS-Geräts freigeben (WAC-Funktion).

Diese Funktion wird wie folgt eingesetzt.

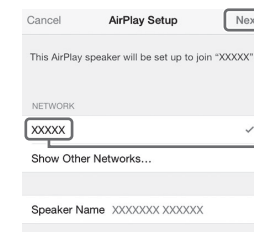
- 1 Wählen Sie im Wi-Fi-Bildschirm Ihres iOS-Geräts dieses Gerät als AirPlay-Lautsprecher aus.

Beispiel (iOS 10)



Name dieses Geräts

- 2 Vergewissern Sie sich, dass das Feld „Network“ auf Ihr bevorzugtes Netzwerk eingestellt ist, und tippen Sie dann auf „Next“.



Hier tippen, um mit der Einrichtung zu beginnen.

Aktuell ausgewähltes Netzwerk

Nach Abschluss der Einrichtung wird das Gerät automatisch mit dem ausgewählten Netzwerk (Access Point) verbunden.

Pflege

■ Gerät pflegen

Das Gerät mit einem weichen, trockenen Tuch abwischen. Verwenden Sie keine Chemikalien wie Benzin oder Verdünnern, da diese die Oberfläche beschädigen könnten.

■ Abtastnadel pflegen

Die Spitze der Abtastnadel ist extrem empfindlich. Gehen Sie vorsichtig damit um, damit sie nicht beschädigt wird. Wenn Staub an der Spitze der Abtastnadel haften sollte, bürsten Sie diesen mit einer weichen, spitzen Bürste vom Sockel zur Spitze der Nadel hin ab oder verwenden Sie einen für diesen Zweck bestimmten, handelsüblichen Reiniger.

■ Schallplatten pflegen

An einer Schallplatte haftender Schmutz kann Sprünge oder Geräusche verursachen. Verwenden Sie einen handelsüblichen Plattenreiniger, um Schmutz zu entfernen.

Austausch

Riemen austauschen

Abhängig von den Einsatzbedingungen kann der Riemen verschleifen oder brechen. Ersetzen Sie in solchem Fall den Riemen. Wenden Sie sich an den nächsten autorisierten Yamaha Fachhändler oder Kundendienst, um einen Ersatzriemen zu erhalten.

- 1 **Schalten Sie dieses Gerät und die verbundenen Geräte aus, und trennen Sie den Netzadapter des Geräts von der Netzsteckdose.**
- 2 **Nehmen Sie die Auflage vom Plattenteller ab.**
- 3 **Nehmen Sie den Riemen von der Riemenscheibe ab.**
- 4 **Stecken Sie Ihre Finger in die runden Öffnungen des Plattentellers und heben ihn an.**



VORSICHT

- ◆ Den Plattenteller nicht fallen lassen. Ein Sturz könnte zu Verletzungen führen oder das Gerät beschädigen.

- 5 **Drehen Sie den Plattenteller um und entfernen den Riemen.**
- 6 **Bringen Sie den Ersatzriemen am Plattenteller an.**
Der Riemen darf nicht verdreht werden.
- 7 **Bringen Sie den Plattenteller am Gerät an.**
Näheres zur Montage finden Sie unter „Zusammenbau“ auf Seite 13.

Abtastnadel austauschen

Wenn die Spitze der Abtastnadel abgenutzt oder beschädigt ist, ersetzen Sie diese umgehend.

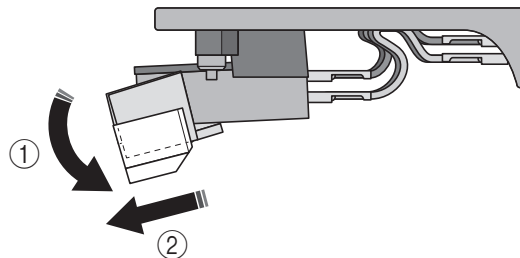
Besorgen Sie eine Ersatznadel des Typs ATN3600L von Audio-Technica.

VORSICHT

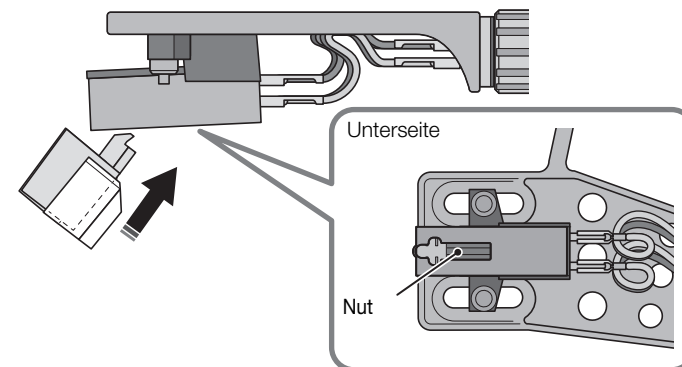
- ◆ Bringen Sie vor dem Austausch der Abtastnadel die Abdeckung an. Die Nadelspitze könnte eine Verletzung verursachen oder beschädigt werden.
- ◆ Sorgen Sie dafür, dass Kinder die abgenommene Abtastnadel nicht verschlucken.

1 Schalten Sie dieses Gerät und die verbundenen Geräte aus, und trennen Sie den Netzadapter des Geräts von der Netzsteckdose.

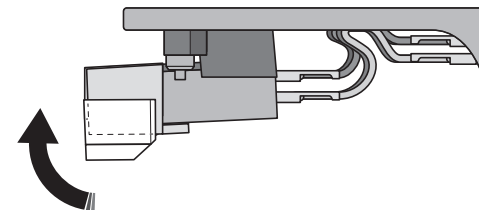
2 Halten Sie den Tonabnehmer mit den Fingern fest, drücken Sie dabei die Abtastnadel nach ① und ziehen sie nach ② ab.



3 Halten Sie den Tonabnehmer mit den Fingern fest und schieben Sie dabei die Lasche der neuen Abtastnadel in die Nut an der Unterseite des Tonabnehmers ein.



4 Drücken Sie die Abtastnadel nach oben, bis Sie hörbar einrastet.



Gerät transportieren

Wenn Sie das Gerät transportieren, sperren Sie den Tonarm, sodass es sich nicht bewegt.

Störungsbeseitigung

Wenn das Gerät nicht mehr ordnungsgemäß funktioniert, prüfen Sie die folgenden Punkte.

Wenn das Problem durch die entsprechenden Maßnahmen nicht behoben wird oder ein Problem auftritt, das im Folgenden nicht aufgeführt ist, drücken Sie die Netzta-
ste STANDBY/ON auf der Oberseite des Geräts, um das Gerät auszuschalten, ziehen Sie das Netzkabel ab und wenden Sie sich an den nächsten autorisierten Yamaha
Fachhändler oder Kundendienst.

Allgemeines

Problem	Ursache	Abhilfe	Siehe Seite
Drücken der Netzta- ste STANDBY/ON schaltet das Gerät nicht ein.	Das Netzteil ist von der Buchse DC IN des Geräts oder von der Netzsteckdose getrennt oder gelöst.	Verbinden Sie das Netzteil fest mit der Buchse DC IN des Geräts und mit der Netzsteckdose.	16
Wenn die Netzta- ste STANDBY/ ON gedrückt wird, blinkt die Netzanzeige STANDBY/ON, aber das Gerät wird nicht eingeschaltet.	Die Schutzschaltung wurde drei Mal in Folge ausgelöst.	Die Stromversorgung wird zum Schutz des Geräts nicht mehr eingeschaltet. Wenden Sie sich an einen Yamaha Kundendienst, um das Gerät reparieren zu lassen.	—
Drücken von SOURCE schaltet die Quelle nicht um.	Der Audioausgangs-Wahlschalter steht auf PHONO OUT.	Stellen Sie den Audioausgangs-Wahlschalter auf LINE OUT.	12
Der Plattenteller dreht nicht.	Der Riemen sitzt nicht richtig am Plattenteller bzw. an der Riemenscheibe an oder hat sich gelöst.	Bringen Sie den Riemen richtig am Plattenteller und an der Riemenscheibe an.	13
	Die Netzta- ste STANDBY/ON wurde nicht gedrückt.	Drücken Sie die Netzta- ste STANDBY/ON.	20
Kein Ton.	Der Tonabnehmer-Träger ist nicht richtig am Tonarm befestigt.	Bringen Sie den Tonabnehmer-Träger richtig am Tonarm an.	14
	Das Stereo-Cinch-Kabel ist nicht richtig angeschlossen.	Schließen Sie das Stereo-Cinch-Kabel richtig an.	16
	Der Verstärker ist stummgeschaltet.	Deaktivieren Sie Stummschaltung des Verstärkers.	—
	Der Audioausgangs-Wahlschalter dieses Geräts steht in der falschen Position.	Stellen Sie den Audioausgangs-Wahlschalter in die richtige Position für das angeschlossene Gerät.	16

Problem	Ursache	Abhilfe	Siehe Seite
Die Lautstärke ist zu schwach oder zu laut.	Die Tonabnehmer-Einstellung des Verstärkers oder Phono-Equalizers ist falsch.	Korrigieren Sie die Tonabnehmer-Einstellung des Verstärkers oder Phono-Equalizers entsprechend der Ausführung des verwendeten Tonabnehmers (MM oder MC).	—
	Der Audioausgangs-Wahlschalter steht in der falschen Position.	Stellen Sie den Audioausgangs-Wahlschalter in die richtige Position für das angeschlossene Gerät.	16
Die links/rechts-Balance des Klangs stimmt nicht.	Das Gerät ist geneigt.	Stellen Sie das Gerät auf eine ebene Stelle.	—
Die Wiedergabegeschwindigkeit ist falsch.	Die Geschwindigkeitseinstellung ist falsch.	Stellen Sie 33/45 (Geschwindigkeit) richtig ein. Dieses Gerät unterstützt die Wiedergabe von SP-Schallplatten (78 U/min) nicht.	10
Ein Brummen ist hörbar.	Das Stereo-Cinch-Kabel ist nicht richtig angeschlossen.	Schließen Sie das Stereo-Cinch-Kabel richtig an.	16
	Der Tonabnehmer-Träger ist nicht fest am Tonarm angebracht.	Drehen Sie die Sicherungsmutter, um den Tonabnehmer-Träger sicher am Tonarm zu befestigen.	14
Sprünge treten auf. Geräusch ist hörbar. Der Ton ist verzerrt.	Der Abtastnadeldruck ist falsch eingestellt.	Stellen Sie den Gegengewicht-Einstellring auf die Markierung, die der Vorgabe für den Abtastnadeldruck des Tonabnehmers entspricht.	18
	Die Schallplatte ist verkratzt oder gewellt.	Spielen Sie verkratzte oder gewellte Schallplatten nicht ab.	—
	Die Schallplatte ist verschmutzt.	Verwenden Sie einen handelsüblichen Plattenreiniger, um Schmutz zu entfernen.	—
	Die Schallplatte ist statisch aufgeladen.	Verwenden Sie eine antistatische Bürste, um die statische Ladung zu entfernen.	—
	Die Abtastnadel ist verschmutzt.	Reinigen Sie die Abtastnadel.	34
	Die Abtastnadel ist abgenutzt.	Tauschen Sie die Abtastnadel aus.	35
	Das Gerät befindet sich an einem Ort, der Vibrationen ausgesetzt ist.	Stellen Sie das Gerät an einem ebenen Ort auf, der keinen Vibrationen ausgesetzt ist.	—
Rückkopplung tritt auf.	Das Gerät befindet sich zu nah an den Lautsprechern.	Stellen Sie das Gerät weiter von den Lautsprechern entfernt.	—
	Die Wiedergabelautstärke ist zu hoch.	Passen Sie die Lautstärke am Verstärker an.	—

Bluetooth

Problem	Ursache	Abhilfe	Siehe Seite
Pairing mit einem Bluetooth-Gerät nicht möglich.	Der Schalter WIRELESS auf der Rückseite dieses Geräts steht auf OFF.	Stellen Sie den Schalter WIRELESS auf der Rückseite dieses Geräts auf AUTO.	12
	Der Audioausgangs-Wahlschalter dieses Geräts steht auf PHONO OUT.	Stellen Sie den Audioausgangs-Wahlschalter dieses Gerät auf LINE OUT.	12
	Ein anderes Bluetooth-Gerät ist bereits mit diesem Gerät verbunden.	Trennen Sie die Verbindung mit dem gegenwärtig gepairten Bluetooth-Gerät und pairen Sie dann mit dem erwünschten Bluetooth-Gerät.	28
	Der Abstand zwischen dem Gerät und den Bluetooth-Geräten ist zu groß.	Bringen Sie das Bluetooth-Gerät näher an das Gerät.	—
	Die drahtlose Kommunikation wird durch Störungen von einem Gerät behindert, das das 2,4-GHz-Frequenzband verwendet (z.B. Mikrowellenherd oder WLAN).	Stellen Sie dieses Gerät oder Ihr Bluetooth-Gerät weiter von solchen Geräten entfernt. Wenn Ihr WLAN-Router das 5-GHz-Frequenzband unterstützt, wechseln Sie auf eine Verbindung im 5-GHz-Frequenzband über.	—
	Ihr Bluetooth-Gerät unterstützt nicht das A2DP-Protokoll.	Verwenden Sie ein Bluetooth-Gerät, welches das A2DP-Protokoll unterstützt.	—
	Das auf dem Bluetooth-Gerät gespeicherte Verbindungsprofil funktioniert aus irgend einem Grund nicht.	Löschen Sie das Bluetooth-Profil des Bluetooth-Geräts und verbinden Sie dann das Bluetooth-Gerät mit diesem Gerät.	—
Der Pairing-Code des mit diesem Gerät zu pairenden Geräts (z.B. Bluetooth-Adapter) ist nicht „0000“.	Verwenden Sie ein Verbindungsgerät mit dem Pairing-Code „0000“.	—	
Es wird kein Ton erzeugt, oder der wiedergegebene Ton ist unterbrochen.	Der Lautstärkepegel des Bluetooth-Geräts ist zu niedrig.	Heben Sie den Lautstärkepegel des Bluetooth-Geräts an.	—
	Das Bluetooth-Gerät ist nicht für die Übertragung von Audiosignalen zum Gerät eingerichtet.	Wählen Sie auf dem Bluetooth-Gerät dieses Gerät als Audioausgabeziel aus.	28
	Die Bluetooth-Verbindung wurde abgebrochen.	Führen Sie den Bluetooth-Verbindungsvorgang erneut durch.	28
	Der Abstand zwischen dem Gerät und den Bluetooth-Geräten ist zu groß.	Bringen Sie das Bluetooth-Gerät näher an das Gerät.	—
	Die drahtlose Kommunikation wird durch Störungen von einem Gerät behindert, das das 2,4-GHz-Frequenzband verwendet (z.B. Mikrowellenherd oder WLAN).	Stellen Sie dieses Gerät oder Ihr Bluetooth-Gerät weiter von solchen Geräten entfernt. Wenn Ihr WLAN-Router das 5-GHz-Frequenzband unterstützt, wechseln Sie auf eine Verbindung im 5-GHz-Frequenzband über.	—

Netzwerk

Problem	Ursache	Abhilfe	Siehe Seite
Nicht in der Lage, die Netzwerkfunktion zu benutzen.	Die Netzwerkparameter (IP-Adresse) wurden nicht sachgemäß konfiguriert.	Aktivieren Sie die DHCP-Serverfunktion des Routers.	—
	Der Audioausgangs-Wahlschalter dieses Geräts steht auf PHONO OUT.	Stellen Sie den Audioausgangs-Wahlschalter dieses Gerät auf LINE OUT.	12
	Der Schalter WIRELESS auf der Rückseite dieses Geräts steht auf OFF.	Stellen Sie den Schalter WIRELESS auf der Rückseite dieses Geräts auf AUTO.	12
	Sie versuchen, eine Verbindung mit einem IPv6-Router herzustellen.	Dieses Gerät unterstützt IPv6-Netzwerke nicht. Verbinden Sie es mit einem IPv4-Netzwerk.	—
Das Gerät ist nicht in der Lage, über einen WLAN-Router (Access Point) mit dem Internet zu verbinden.	Der WLAN-Router (Access Point) ist ausgeschaltet.	Den WLAN-Router (Access Point) einschalten.	—
	Das Gerät und der WLAN-Router (Access Point) stehen zu weit voneinander entfernt.	Stellen Sie das Gerät und den WLAN-Router (Access Point) näher zusammen.	—
	Zwischen dem Gerät und dem WLAN-Router (Access Point) befindet sich ein Hindernis.	Entfernen Sie das Hindernis zwischen diesem Gerät und Ihrem WLAN-Router (Access Point).	—
Das Drahtlosnetzwerk ist nicht verfügbar.	Ein Gerät, das elektromagnetische Wellen erzeugt (z.B. Mikrowellenherd oder Drahtlosgerät), befindet sich möglicherweise in der Nähe.	Benutzen Sie dieses Gerät bei einer Drahtlosverbindung nicht in der Nähe von Geräten, die elektromagnetische Wellen erzeugen.	—
	Der Zugang zum Netzwerk ist durch die Firewall-Einstellungen des WLAN-Routers (Access Point) eingeschränkt.	Prüfen Sie die Firewall-Einstellungen Ihres WLAN-Routers (Access Point).	—
Der PC (Server) wird nicht erkannt.	Die Medienfreigabe am PC (bzw. Server) ist möglicherweise nicht korrekt eingerichtet.	Die Medienfreigabe so einrichten, dass das Gerät Zugriff auf die Ordner des PCs (bzw. Servers) hat.	—
	Der Zugang zum Netzwerk ist durch die Sicherheitseinstellungen des PCs (bzw. Servers) eingeschränkt.	Prüfen Sie die Sicherheitseinstellungen des PCs (bzw. Servers) und des Routers.	—
	Das Gerät und der PC sind nicht mit demselben Netzwerk verbunden.	Prüfen Sie die Netzwerkverbindung und die Router-Einstellungen und stellen Sie sicher, dass sie mit demselben Netzwerk verbunden sind.	—
Dateien auf dem PC (bzw. Server) werden nicht angezeigt (oder wiedergegeben).	Das Dateiformat wird nicht durch das Gerät oder den PC (bzw. Server) unterstützt.	Sicherstellen, dass das verwendete Dateiformat, durch das Gerät und den PC unterstützt wird.	41

Problem	Ursache	Abhilfe	Siehe Seite
Nicht in der Lage, Internetradio wiederzugeben.	Der gewählte Internetradiosender ist zeitweilig nicht verfügbar oder außer Dienst.	Es kann ein Netzwerkproblem beim Radiosender vorliegen, oder der Dienst ist nicht mehr verfügbar. Versuchen Sie, den Sender zu einem anderen Zeitpunkt zu empfangen, oder wählen Sie einen anderen Sender.	—
	Der aktuell gewählte Radiosender sendet momentan Stille.	Gewisse Internetradiosender senden zu bestimmten Tageszeiten Stille. In diesem Fall liegt kein Problem mit dem Empfang vor, sondern es wird kein Ton erzeugt. Versuchen, den Sender zu einem anderen Zeitpunkt zu empfangen, oder wählen Sie einen anderen Sender .	—
	Der Zugang zum Netzwerk wird durch die Firewall-Einstellungen der Netzwerkgeräte (wie Router) eingeschränkt.	Prüfen Sie Firewall-Einstellungen der Geräte. Internetradio kann nur über den vom betreffenden Radiosender genutzten Port empfangen werden. Die Portnummer hängt vom Radiosender ab.	—
Das iOS-Gerät erkennt das Gerät nicht mit AirPlay.	Der verwendete Router unterstützt möglicherweise mehrere SSIDs.	Die Netzwerk-Trennfunktion des Routers verhindert möglicherweise den Zugriff auf das Gerät. Zum Verbinden eines iOS-Geräts eine SSID verwenden, die Zugriff auf das Gerät erlaubt. (Versuchen Sie, mit der primären SSID zu verbinden.)	—
Das Gerät wird beim Einsatz der zugehörigen App auf einem Mobilgerät nicht erkannt.	Das Gerät und das Mobilgerät sind nicht mit demselben Netzwerk verbunden.	Prüfen Sie die Netzwerkverbindung und die Router-Einstellungen und stellen Sie sicher, dass sie mit demselben Netzwerk verbunden sind.	—
	Der verwendete Router unterstützt möglicherweise mehrere SSIDs.	Die Netzwerk-Trennfunktion des Routers verhindert möglicherweise den Zugriff auf das Gerät. Zum Verbinden eines iOS-Geräts eine SSID verwenden, die Zugriff auf das Gerät erlaubt. (Versuchen Sie, mit der primären SSID zu verbinden.)	—
Die Firmware-Aktualisierung ist fehlgeschlagen.	Die Netzwerkverbindung ist möglicherweise nicht ausreichend.	Die Aktualisierung nach einiger Zeit erneut ausführen.	32
Das Gerät kann nicht mit dem WLAN-Router (Access Point) verbinden.	Der MAC-Adressenfilter am WLAN-Router (Access Point) ist möglicherweise aktiviert.	Das Gerät kann nicht mit dem Router verbinden, während der MAC-Adressenfilter aktiviert ist. Ändern Sie die Einstellungen am WLAN-Router (Access Point) und versuchen Sie erneut zu verbinden.	—

Unterstützte Geräte und Dateiformate

Dieses Gerät unterstützt folgende Geräte und Dateiformate.

Unterstützte Geräte

■ Bluetooth-Geräte

- ♦ Sie können Bluetooth-Geräte verwenden, die das A2DP-Protokoll unterstützen.
- ♦ Yamaha kann nicht die Tauglichkeit aller Bluetooth-Geräte garantieren.

■ AirPlay

AirPlay ist kompatibel mit iPhone, iPad und iPod touch mit iOS 4.3.3 oder neuer, Mac mit OS X Mountain Lion oder neuer sowie PC mit iTunes 10.2.2 oder neuer.

Unterstützte Modelle (Stand: Juli 2018)

Made for

iPhone X, iPhone 8 Plus, iPhone 8, iPhone 7 Plus, iPhone 7, iPhone SE, iPhone 6s Plus, iPhone 6s, iPhone 6 Plus, iPhone 6, iPhone 5s, iPhone 5c, iPhone 5, iPhone 4s

iPad Pro (10.5"), iPad Pro (12.9") 2. Generation, iPad Pro (12.9") 1. Generation, iPad Pro (9.7"), iPad mini 4, iPad Air 2, iPad mini 3, iPad Air, iPad mini 2, iPad mini, iPad (5. Generation), iPad (4. Generation), iPad (3. Generation), iPad 2

iPod touch (6. Generation), iPod touch (5. Generation)

Dateiformate

■ PC/NAS

Datei	Sampling-Frequenz (kHz)	Bit-Tiefe (Bit)	Bitrate (kbps)	Anzahl Kanäle	Lückenlose Wiedergabe unterstützt
WAV*	32 / 44,1 / 48 /				
	88,2 / 96 /	16 / 24	-	2	✓
	176,4 / 192				
MP3	32 / 44,1 / 48	-	8–320	2	-
WMA	32 / 44,1 / 48	-	8–320	2	-
MPEG-4 AAC	32 / 44,1 / 48	-	8–320	2	-
FLAC	32 / 44,1 / 48 /				
	88,2 / 96 /	16 / 24	-	2	✓
	176,4 / 192				
ALAC	32 / 44,1 / 48 / 88,2 / 96	16 / 24	-	2	✓
AIFF	32 / 44,1 / 48 /				
	88,2 / 96 /	16 / 24	-	2	✓
	176,4 / 192				
DSD	2,8 MHz /				
	5,6 MHz /	1	-	2	-
	11,2 MHz				

* Nur Format Linear PCM

- ♦ Um FLAC-Dateien wiederzugeben, die auf einem PC/NAS gespeichert sind, müssen Sie Serversoftware installieren, welche die Freigabe von FLAC-Dateien über DLNA auf Ihrem PC unterstützt, oder ein NAS-Gerät verwenden, das FLAC-Dateien unterstützt. Näheres hierzu siehe die Anleitung der Serversoftware.
- ♦ DRM (Digital Rights Management)-verschlüsselte Inhalte lassen sich nicht abspielen.

Markenzeichen



Das Logo „Works with Apple“ bedeutet, dass ein Zubehör speziell für die Technologie entwickelt wurde, die auf dem Logo erwähnt wird, und vom Entwickler zertifiziert ist, die Apple Leistungsstandards zu erfüllen.

Apple, iPad, iPad Air, iPad Pro, iPhone und iTunes sind in den USA und anderen Ländern eingetragene Warenzeichen von Apple Inc.

App Store ist eine Dienstleistungsmarke von Apple Inc.

Windows™

Windows ist in den USA und anderen Ländern ein eingetragenes Warenzeichen der Microsoft Corporation.

Internet Explorer, Windows Media Audio und Windows Media Player sind in den USA und/oder anderen Ländern eingetragene Markenzeichen oder Markenzeichen der Microsoft Corporation.

Android™ Google Play™

Android und Google Play sind Marken von Google Inc.



Das Logo Wi-Fi CERTIFIED™ ist eine Zertifizierungsmarke von Wi-Fi Alliance®.

Wi-Fi, Wi-Fi CERTIFIED, und Wi-Fi Protected Setup sind eingetragene Warenzeichen von Wi-Fi Alliance®.



Die Bluetooth®-Wortmarke und -Logos sind eingetragene Markenzeichen im Besitz der Bluetooth SIG, Inc. Jede Verwendung dieser Markenzeichen durch die Yamaha Corporation erfolgt unter Lizenz.

Alle anderen Warenzeichen bzw. eingetragenen Warenzeichen gehören den entsprechenden Firmen.



Yamaha Eco-Label ist ein Symbol, das Produkte mit hohem Umweltschutz auszeichnet.



MusicCast ist ein Markenzeichen oder eingetragenes Markenzeichen der Yamaha Corporation.

Erklärungen bezüglich GPL/LGPL

Dieses Produkt verwendet GPL/LGPL Open-Source-Software in bestimmten Sektionen. Sie haben das Recht, nur diesen Open-Source-Code zu erhalten, zu duplizieren, zu modifizieren und zu verteilen. Informationen über GPL/LGPL Open-Source-Software, wie Sie diese erhalten und die GPL/LGPL-Lizenz, erhalten Sie auf der Website Yamaha Corporation: <https://download.yamaha.com/sourcecodes/musiccast/>

Lizenzen

Informationen zu Lizenzen von Fremdsoftware, die in diesem Produkt verwendet wird, finden Sie unter: [http://\(IP address of this product*\)/licenses.html](http://(IP address of this product*)/licenses.html)
* Die IP-Adresse dieses Produkts wird mit MusicCast CONTROLLER geprüft.

Technische Daten

Das Gerät entspricht folgenden technischen Daten.

Plattenteller-Abschnitt

Antriebsart	Riemenantrieb
Motor.	DC-Motor
Drehzahl	33 1/3 U/min, 45 U/min
Drehzahlabweichung	±2%
Gleichlaufschwankungen0,2%
Plattenteller	Alu-Druckguss Durchmesser 30 cm

Tonarm-Abschnitt

Ausführung	Statisch ausbalancierter, gerader Tonarm
Effektive Armlänge	223,5 mm
Einstellbereich Abtastnadeldruck	0–4 g
Zulässiges Tonabnehmer-Gewicht	15,5–19 g (einschließlich Träger)
Überstand	19 mm

Tonabnehmer-Abschnitt

Ausführung	MM
Ausgangsspannung.	2,5 mV (1 kHz; 3,54 cm/s)
Abtastnadeldruck.3,5 ±0,5 g
Tonabnehmer-Gewicht5,0 ±0,3 g
Tonabnehmer-Höhe.17,0 ±0,7 mm
Tonabnehmer-Trägergewicht.	10 g (einschließlich Schrauben, Muttern und Kabel)

Eingänge/Ausgänge

Analogaudio (Cinch, unsymmetrisch)
PHONO OUT×1
LINE OUT×1
NETWORK (kabelgebunden)× 1 (100Base-TX/10Base-T)

Bluetooth

Senke-Funktion	
Quellgerät zu diesem Gerät (z.B. Smartphone/Tablet)	
Unterstützte Codecs	SBC, AAC
Unterstützte Profile	A2DP, AVRCP
Bluetooth-Version.	4.2
Drahtlosausgabe	Bluetooth-Klasse 2
Max. Kommunikationsabstand	10 m (ohne Behinderung)

Netzwerk

Unterstützt AirPlay
Internetradio

Drahtlosnetzwerk

Drahtlosnetzwerk-Standards	IEEE 802.11 a/b/g/n/ac*
	* Nur Kanalbandbreite 20 MHz
Funkfrequenzband	2,4 GHz, 5 GHz
WPS (Wi-Fi Protected Setup)	
Mit PIN	
Verfügbare Verschlüsselungsmethode	
WEP	
WPA2-PSK (AES)	
Mixed Mode	

Audio-Abschnitt (Netzwerk, Bluetooth)

Ausgangspegel (1 kHz, 0 dB, Fs 44,1 kHz)	2,0 ± 0,3 V
Signal-Rausch-Verhältnis (IHF-A-Netzwerk) (unendlich Null, Fs 44,1 kHz)	min. 110 dB
Dynamikbereich (1 kHz, -60 dB, Fs 44,1 kHz)	min. 100 dB
Klirrfaktor (1 kHz, 0 dB, Fs 44,1 kHz)	max. 0,003%
Frequenzgang	
Fs 44,1 kHz	2 Hz–20 kHz (+0/-3 dB)
Fs 48 kHz	2 Hz–24 kHz (+0/-3 dB)
Fs 96 kHz	2 Hz–48 kHz (+0/-3 dB)
Fs 192 kHz	2 Hz–96 kHz (+0/-6 dB)

Audio-Abschnitt (PHONO)

Ausgangspegel	
PHONO OUT (1 kHz, 3,54 cm/s)	2,5 mV ±3 dBV
LINE OUT	450 mV (-7 dBV)
Signal-Rausch-Verhältnis (A-gewichtet, 20 kHz LPF)	min. 67 dB

Allgemeines

Netzteil	
Eingang	100–240 VAC 50/60 Hz
Ausgang	12 V 1 A
Leistungsaufnahme	6 W
Eco-Standby	0,3 W
Netzwerk-Standby ein / Bluetooth-Standby aus	
Kabelgebunden	1,4 W
Drahtlos (Wi-Fi)	1,8 W
Netzwerk-Standby ein / Bluetooth-Standby ein	
Kabelgebunden	1,6 W
Drahtlos (Wi-Fi)	1,8 W
Gewicht	5,7 kg
Abmessungen (Breite × Höhe × Tiefe)	450 × 136 × 368 mm (einschließlich Füßen und Vorsprüngen)

- Der Inhalt dieser Bedienungsanleitung gilt für die neuesten technischen Daten zum Zeitpunkt der Veröffentlichung. Um die neueste Version der Anleitung zu erhalten, rufen Sie die Website von Yamaha auf und laden Sie dann die Datei mit der Bedienungsanleitung herunter.

Produkten är avsedd att användas i hemmet för att lyssna på ljud.

FÖRSIKTIGHETSÅTGÄRDER

**LÄS NOGGRANT INNAN ANVÄNDNING. FÖLJ
DESSA INSTRUKTIONER.**

Försiktighetsåtgärderna nedan är till för att minska risken för skador på användaren och andra samt förhindra egendomsskador och hjälpa användaren att använda den här enheten korrekt och säkert. Följ dessa instruktioner.

När du har läst den här bruksanvisningen ska du spara den på ett säkert ställe där du kan hitta den när som helst.

- Se till att undersökningar och reparationer alltid utförs av den återförsäljare du köpte enheten av eller av kvalificerad Yamaha-servicepersonal.
- Yamaha kan inte hållas ansvarigt för personskador som åsamkats dig eller skador på produkten som orsakas av felaktig användning eller modifiering av enheten.
- Den här produkten är avsedd för vanliga hem. Den ska inte användas i tillämpningar som kräver hög tillförlitlighet, till exempel för hantering av liv eller värdefulla tillgångar eller inom sjukvården.



VARNING

Det här avsnittet behandlar ”risk för allvarliga personskador eller dödsfall”.

Strömförsörjning/nätadapter

- Gör ingenting som kan skada nätkabeln.
 - Placera den inte nära ett värmeelement.
 - Böj den inte kraftigt och ändra den inte.
 - Rispa den inte.
 - Placera den inte under något tungt föremål.Om nätkabeln används med blottad kärntråd, kan den orsaka elektriska stötar eller brand.
- Vidrör inte nätkontakten eller nätkabeln om det finns risk för blixtnedslag. Annars kan det orsaka elektriska stötar.
- Använd den här enheten med den nätspänning som anges på den. Om du ansluter till ett olämpligt vägguttag kan det orsaka brand, elektriska stötar eller funktionsfel.
- Se till att endast använda den medföljande nätadapter. Annars kan den orsaka brand, brännskador eller funktionsfel.
- Kontrollera stickkontakten regelbundet och ta bort eventuell smuts eller damm som kan ha ackumulerats på den. Annars kan det orsaka brand eller elektriska stötar.

- Se till att nätuttaget är lättåtkomligt när du installerar enheten. Om det uppstår problem eller tekniska fel bör du omedelbart stänga av strömbrytaren och dra ut kontakten ur vägguttaget. Även om strömbrytaren är avstängd måste nätkabeln också dras ut från vägguttaget för att enheten ska vara helt bortkopplad från strömkällan.
- Om du hör åska eller misstänker att det ska komma blixtar ska du snabbt stänga av strömbrytaren och dra ut stickkontakten ur vägguttaget. Annars kan det orsaka brand eller funktionsfel.
- Om du inte ska använda enheten på ett tag ska du dra ut stickkontakten ur vägguttaget. Annars kan det orsaka brand eller funktionsfel.

Montera inte isär

- Försök inte ta isär eller modifiera den här enheten. Annars kan det orsaka brand, elektriska stötar, personskador eller funktionsfel. Om du upptäcker något onormalt ska du kontakta den återförsäljare du köpte enheten av eller kvalificerad Yamaha-servicepersonal för en undersökning eller reparation.

Varning för fukt och väta

- Utsätt inte enheten för regn och använd den inte i närheten av vatten eller i fuktig eller våt miljö. Ställ inte behållare (t.ex. vaser, flaskor eller glas) med vätska på den, eftersom vätska då kan spillas i öppningar eller på platser där vatten kan droppa. Om vätska, såsom vatten, kommer in i enheten kan det orsaka brand, elektriska stötar eller funktionsfel. Om vatten eller andra vätskor skulle läcka in i enheten måste du omedelbart stänga av strömmen och dra ut nätadapterkabeln från vägguttaget. Be sedan den återförsäljare du köpte enheten av eller kvalificerad Yamaha-servicepersonal att undersöka enheten.
- Sätt aldrig in eller ta ut stickkontakten med blöta händer. Hantera inte enheten med våta händer. Annars kan det orsaka elektriska stötar eller funktionsfel.

Varning för eld

- Placera inga brinnande föremål eller öppna lågor nära enheten, eftersom de kan orsaka eldsvåda.

Trådlös enhet

- Använd inte enheten nära medicinska enheter eller i sjukvårdsanläggningar. Radiovågor från den här enheten kan påverka medicinska enheter.
- Ha minst 15 cm mellan ljudsystemet och personer som använder pacemaker eller defibrillatorimplantat inopererade. Radiovågor som strålar ut från den här enheten kan påverka medicinska enheter, så som en inopererad pacemaker eller defibrillator.

Om du upptäcker något onormalt

- Om något av följande inträffar ska du omedelbart stänga av strömbrytaren och dra ur nätkontakten.
 - Nätkabeln/kontakten är skadad.
 - Enheten avger en ovanlig lukt eller rök.
 - Främmande material kommer in i enheten.
 - Enheten har en spricka eller skada.Fortsatt användning kan orsaka elektriska stötar, brand eller funktionsfel. Be sedan den återförsäljare du köpte enheten av eller kvalificerad Yamaha-servicepersonal att omedelbart undersöka eller reparera enheten.
- Var försiktig så att du inte tappar eller slår kraftigt på den här enheten eller nätadaptern. Om du misstänker att enheten kan ha skadats på grund av att den tappats eller fått ett slag ska du omedelbart stänga av strömbrytaren och dra ut nätkontakten ur uttaget. Annars kan det orsaka elektriska stötar, brand eller funktionsfel. Be sedan den återförsäljare du köpte enheten av eller kvalificerad Yamaha-servicepersonal att omedelbart undersöka enheten.



FÖRSIKTIGHET

Det här avsnittet behandlar ”risk för personskador”.

Strömförsörjning/nätadapter

- Täck inte över eller packa in nätadaptern med en duk eller filt. Underlåtenhet att observera detta kan leda till att hettan inestängs och orsaka deformation av enhetens panel vid brand.
- Använd inte ett vägguttag där stickkontakten sitter löst när den satts in. Annars kan det orsaka brand eller elektriska stötar eller brännskador.
- Håll alltid i själva kontakten, inte i kabeln, när du drar ut stickkontakten från enheten eller ett vägguttag. Om du drar i kabeln kan den skadas och orsaka elstötar eller brand.
- Sätt i stickkontakten ordentligt hela vägen in i vägguttaget. Om enheten används utan att kontakten är helt instoppad kan damm samlas på kontakten och orsaka brand eller brännskador.

Installering

- Placera inte enheten på en instabil plats där den kan falla eller välta och orsaka personskador.
- När enheten installeras tänk på:
 - Täck den inte med någon duk.
 - Placera den inte på en matta.
 - Se till att ovansidan pekar uppåt. Placera inte enheten på någon av dess sidor eller upp och ned.
- Se till att ovansidan pekar uppåt. Underlåtenhet att observera detta kan orsaka funktionsfel eller att den faller och resulterar i skada.

- Installera inte enheten på platser där den kan komma i kontakt med frätande gaser eller salthaltig luft eller platser som har alltför överdriven rök eller ånga. Det kan leda till att enheten slutar fungera.
- Undvik att befinna dig nära enheten i samband med en naturkatastrof, som t.ex. en jordbävning. Förflytta dig snabbt från enheten till en säker plats eftersom enheten kan välta eller falla och orsaka personskador.
- Var noga med att stänga av strömknappen och koppla bort alla anslutningskablar, innan du flyttar på enheten. Annars kan det orsaka skada på kablarna eller göra så att någon snubblar och faller.

Hörselnedsättning

- Stäng av strömmen till alla komponenter innan du ansluter enheten till annan utrustning. Annars riskerar du hörselnedsättning, elektriska stötar eller skador på utrustningen.
- Sätt alltid på förstärkaren eller receiveern SIST när du slår på strömmen till ljudsystemet, för att undvika hörselnedsättning och skador på högtalarna. Slå av samma skäl av förstärkaren eller receiveern FÖRST när du stänger av strömmen. Annars kan det orsaka hörselnedsättning eller skador på högtalarna.

Underhåll

- Dra ut stickkontakten från vägguttaget, innan du rengör enheten. Annars kan det orsaka elektriska stötar.

Hantering

- Förvara smådelar utom räckhåll för spädbarn. Ditt barn kan oavsiktligt svälja dem.
- Du får inte göra följande:
 - stå på eller sitta på utrustningen.
 - placera tunga föremål på utrustningen.
 - placera utrustningen i en stapel.
 - använda onödigt stor kraft på knappar, brytare, in- och utkontakter, osv.
 - luta dig mot utrustningen.
- Undvik att dra i anslutna kablar för att förhindra personskador eller skador på enheten eftersom den kan falla.

Meddelande

Indikerar punkter du måste iaktta för att förhindra fel på produkten, skada eller felaktig funktion och dataförlust.

Strömförsörjning/nätadapter

- Om du inte ska använda enheten på ett tag ska du dra ut stickkontakten ur uttaget. Restström strömmar fortfarande, även om strömmen är avstängd (strömmen är i standby).

Installering

- Använd inte den här enheten i närheten av annan elektronisk utrustning, så som TV, radio eller mobiltelefon. Annars kan det orsaka att denna enhet eller TV:n eller radion skapar brus.
- Använd inte den här enheten på en plats där den utsätts för direkt solljus som blir extremt varm (t.ex. i närheten av ett värmeelement) eller extremt kall eller där den utsätts för mycket damm eller vibrationer. Annars kan det orsaka att enhetens panel deformeras, funktionsfel på interna komponenter eller att driften blir instabil.
- Om du använder en trådlös funktion ska du undvika att installera den här enheten nära väggar eller skrivbord av metall, mikrovågsugnar eller andra trådlösa nätverksenheter. Hinder kan förkorta överföringsavståndet.

Anslutningar

- Om du ansluter externa enheter ska du läsa bruksanvisningen noggrant för varje enhet och ansluta dem i enlighet med instruktionerna.
Om en enhet inte hanteras enligt instruktionerna kan det orsaka funktionsfel.

Hantering

- Lägg inga föremål av plast eller gummi på den här enheten. Annars kan det orsaka missfärgning eller deformation av enhetens panel.
- Om omgivningstemperaturen förändras drastiskt (till exempel under transport av enheten eller vid snabb uppvärmning eller nedkylning) och det finns risk för att kondens kan ha bildats i enheten ska du låta enheten stå i flera timmar utan strömmen påslagen till den är helt torr och klar för användning. Användning av enheten medan det fortfarande finns kondens inuti den kan orsaka funktionsfel.

Underhåll

- Om temperaturen eller luftfuktigheten förändras dramatiskt, kan vattendroppar (kondensation) bildas på enhetens yta. Om vattendroppar bildas, ska du torka bort dem omedelbart med en mjuk trasa. Om vattendroppar inte åtgärdas på enheten, kan de absorberas i trädelarna och orsaka deformation.
- Använd en torr, mjuk trasa vid rengöring av enheten. Om du använder kemikalier som bensin eller tinner, rengöringsmedel eller kemiska rengöringsdukar kan enheten missfärgas eller deformeras.

Information

Om innehållet i denna bruksanvisning

- Illustrationerna och skärmbilderna i denna bruksanvisning är bara avsedda som instruktion.
- Företagsnamn och produktnamn i den här bruksanvisningen är varumärken eller registrerade varumärken som tillhör respektive ägare.
- Programvara kan revideras och uppdateras utan föregående meddelande.

■ Angående enhetens namnskylt

Modellnummer, serienummer, strömförsörjning osv. finns på eller i närheten av namnetiketten som sitter på enhetens undersida. Du bör anteckna serienumret i utrymmet nedan och förvara den här bruksanvisningen som ett bevis på ditt köp och för att underlätta identifiering i händelse av stöld.

Modellnummer

Serienummer

(bottom_sv_01)

[Modell för Europa]

Trådlösa kommunikationsfunktioner

Bluetooth

Radiofrekvens (användbar frekvens): 2402 MHz till 2480 MHz
Maximal uteffekt (EIRP): 7,27 dBm

Wi-Fi (2,4 GHz)

Radiofrekvens: 2402 MHz till 2482 MHz
Maximal uteffekt (EIRP): 19,98 dBm

Wi-Fi (5 GHz)

Radiofrekvens, Maximal uteffekt (EIRP):
5170 till 5250MHz, 22,03 dBm
5250 till 5330MHz, 22,27 dBm
5490 till 5710MHz, 24,56 dBm
5735 till 5835MHz, 13,96 dBm

- Trådlösa apparater som sänder över ett 5 GHz frekvensband kan endast användas inomhus. Användning av sådana apparater utomhus är förbjudet enligt lag.

Användarinformation, beträffande insamling och dumpning av gammal utrustning och använda batterier



De symboler, som finns på produkterna, emballaget och/eller bifogade dokument talar om att de använda elektriska och elektroniska produkterna, samt batterierna, inte ska blandas med allmänt hushållsavfall.



För rätt handhavande, återställande och återvinning av gamla produkter och gamla batterier, vänligen medtag dessa till lämpliga insamlingsplatser, i enlighet med din nationella lagstiftning.

Genom att slänga dessa produkter och batterier på rätt sätt, kommer du att hjälpa till att rädda värdefulla resurser och förhindra möjliga negativa effekter på mänsklig hälsa och miljö, vilka i annat fall skulle kunna uppstå, p.g.a. felaktig sophantering.

För mer information om insamling och återvinning av gamla produkter och batterier, vänligen kontakta din lokala kommun, ditt sophanteringsföretag eller inköpsstället för dina varor.



För företagare inom EU:

Om du vill göra dig av med elektrisk och elektronisk utrustning, vänligen kontakta din försäljare eller leverantör för mer information.



Information om sophantering i andra länder utanför EU:

Dessa symboler gäller endast inom EU. Om du vill slänga dessa föremål, vänligen kontakta dina lokala myndigheter eller försäljare och fråga efter det korrekta sättet att slänga dem.

Cd

Kommentar ang. batterisymbolen (de två nedersta symbol exempler):

Denna symbol kan komma att användas i kombination med en kemisk symbol. I detta fall överensstämmer den med de krav, som har ställts genom direktiven för den aktuella kemikalien.

(weee_battery_eu_sv_02)



Innehåll

Innan du kommer igång 8

Vad du kan göra med den här enheten	8
Om denna manual	9
Hantera skivor	9
Kontrollera medföljande tillbehör	9
Delar och deras funktioner	10
Överpanel	10
Bakpanel	12

Förberedelse 13

Plats	13
Hopsättning	13
Sätta ihop enheten	13
Montera dammlocket	15
Utför anslutningar	16
Anslutning till en förstärkare	16
Anslutning av en nätverkskabel	17
Utföra justeringar	18
Justera trycket på pickup-nålen	18
Justera anti-skating funktionen	20
Slå på strömmen	20
Om enhetens standby-lägen	20
Ansluter enheten till nätverket	21

Uppspelning 23

Lyssna på en skiva	23
Lyssna på internetradio	26
Lyssna på strömmande tjänster	26
Spelar musikfiler som lagrats på mediaservrar (persondator/NAS)	27
Inställning av mediadelning	27
Spela upp musikfiler	27
Lyssna på musik via Bluetooth	28
Lyssnar på musik via AirPlay	29
Använd MusicCast CONTROLLER för att registrera favoriter	29

Information om inställningar 30

Genomföra inställningar via MusicCast CONTROLLER	30
Ställa in timern för sömn	30
Aktiverar/inaktiverar automatisk uppspelning	30
Aktiverar/inaktiverar automatiskt i standby-läge	30
Göra inställningar via en webbläsare	31
Åtkomst till skärmen med inställningar	31

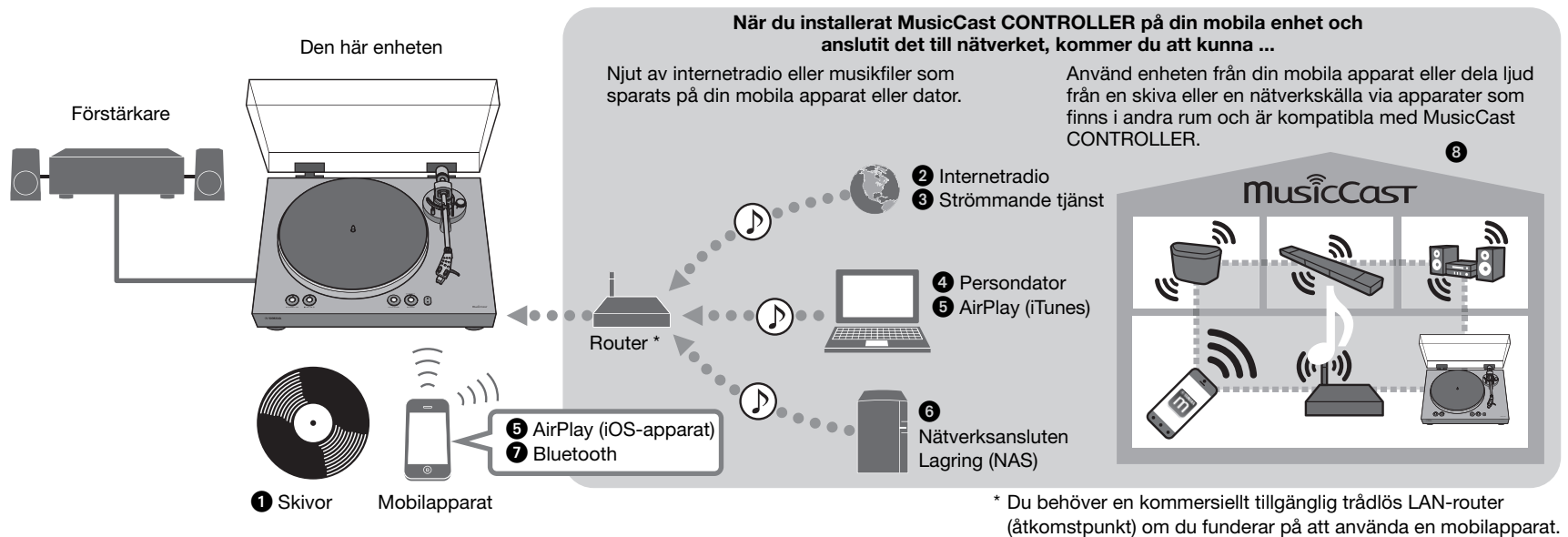
När så krävs 32

Uppdatera det fasta programmet	32
Initialisera inställningar	33
Ansluta till ett nätverk med hjälp av WAC funktionen	33
Skötsel	34
Byte	34
Byte av rem	34
Byta skivans pickup-nål	35
Flytta enheten	35
Felsökning	36
Allmänt	36
Bluetooth	38
Nätverk	39
Apparater och filformat som stöds	41
Apparater som stöds	41
Filformat	41
Varumärken	42
Specifikationer	43

Innan du kommer igång

Vad du kan göra med den här enheten

Denna enhet är en skivspelare med nätverk som stöder uppspelning från nätverkskällor såsom mediaservrar eller mobila apparater, förutom att spela skivor.



1 Uppspelning av skiva (⇒ sidan 23)

2 Lyssna på internetradio (⇒ sidan 26)

3 Lyssna på strömmande tjänster (⇒ sidan 26)

4 Spelar upp musikfiler lagrade på datorn (⇒ sidan 27)

5 Spelar upp musikfiler med AirPlay (⇒ sidan 29)

6 Spelar upp musikfiler som är lagrade på en nätverksansluten lagringsenhet (NAS) (⇒ sidan 27)

7 Spelar upp ljudinnehåll från en Bluetooth-apparat (⇒ sidan 28)

8 Spelar musik med MusicCast CONTROLLER (⇒ sidan 21)

Om denna manual

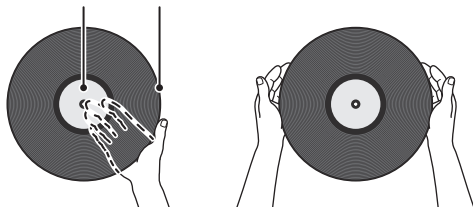
Notera följande när du läser den här manualen.

- ◆ Specifikationer och utseendet kan ändras utan föregående meddelande för att förbättra produkten.
- ◆ I den här manual, ses iPhone, iPad och iPod touch kollektivt som "iOS-apparat".
- ◆ Denna manual använder skärmar för MusicCast CONTROLLER som visas på engelska på en iPhone som exempel.
- ◆ Förklaringar till grafiska symboler som används i denna manual:
 - "⚠ **VARNING**" anger punkter som du måste ta notis om för att undvika risk för dödsfall eller allvarlig personskada.
 - "⚠ **FÖRSIKTIGHET**" anger punkter som du måste ta notis om för att undvika risk för personskada.
 - **MEDELAND** anger punkter som du måste observera för att undvika att skada produkten eller orsaka funktionsstörningar.
 - **OBS!** anger kompletterande information som du kommer att finna användbar.

Hantera skivor

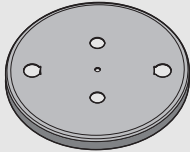
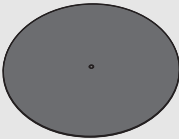
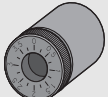
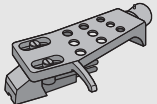
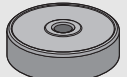
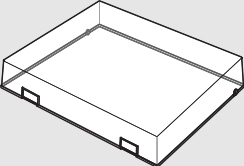
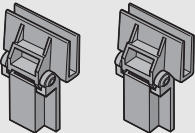
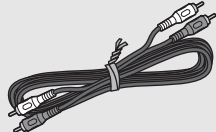
När du håller en skiva, bör du antingen hantera skivans område med etikett och dess ytterkant eller hålla skivans ytterkanter mellan dina två händer.

Området med etikett Ytterkant



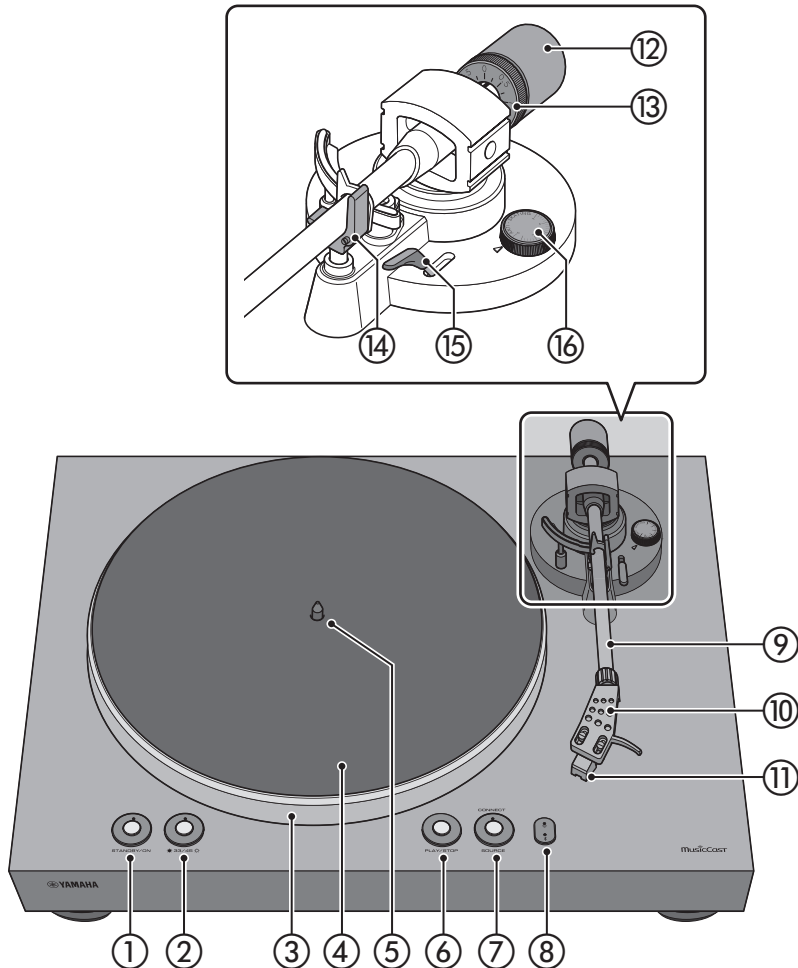
Kontrollera medföljande tillbehör

Se till att alla artiklar är med.

<input type="checkbox"/> Tallrik x1 	<input type="checkbox"/> Tallrikens platta x1 	<input type="checkbox"/> Rem x1 * Remmen monteras på tallriken.
<input type="checkbox"/> Motvikt x1 	<input type="checkbox"/> Huvudskal x1 (med patron) 	<input type="checkbox"/> 45 rpm adapter x1 
<input type="checkbox"/> Dammlock x1 	<input type="checkbox"/> Dammlockets gångjärn x2 	<input type="checkbox"/> RCA stereokabel x1 
<input type="checkbox"/> Nätadapter x1 * För information, se det medföljande "Kompletterande" (broschyr).	<input type="checkbox"/> Ägarmanual (denna manual) <input type="checkbox"/> Kompletterande (broschyr)	

Delar och deras funktioner

Överpanel



① STANDBY/ON (ström)

Detta slår på enhetens ström och i standby-läge (av). (⇒ sidan 20)

STANDBY/ON (ström) indikator

Detta anger statusen för enhetens ström.

Tänd: Strömmen är på

Svagt ljus: Strömmen är i standby-läge för nätverket (⇒ sidan 20)

Släckt: Strömmen är i standby-läge för eco (⇒ sidan 20)

② 33/45 (hastighet) (⇒ sidan 24)

Indikator för varvtal (⇒ sidan 24)

③ Tallrik (⇒ sidan 13)

④ Tallrikens platta (⇒ sidan 14)

⑤ Mittaxel (⇒ sidan 13)

⑥ PLAY/STOP (spela/stoppa) (⇒ sidan 24)

Får tallriken att rotera eller stanna.

OBS!

- ◆ Om källan (ljudkälla) är ett nätverk eller Bluetooth, detta spelar/stoppar detta nätverkskällan.

⑦ SOURCE

Väljer källa(ljudkälla) för denna enhet. Varje gång du trycker på detta, växlar källan mellan PHONO, nätverk, och Bluetooth.

OBS!

- ◆ Källan kan växlas om den här väljarknappen för ljudutgång på enhetens backpanel är inställd på LINE OUT.

SOURCE-indikator

Färgen på indikatorn ändras beroende på källa.

Källa	Indikeringsfärg
PHONO	Vit
nätverk (AirPlay)	Rosa
nätverk (annat än AirPlay)	Grön
Bluetooth	Blå

OBS!

- ◆ När en nytt fast program levereras, blinkar indikatorn orange. (⇒ sidan 32)

CONNECT

Använd detta när du använder MusicCast CONTROLLER för att göra inställningar för nätverksanslutning. (⇒ sidan 21)

⑧ (trådlöst LAN) indikator

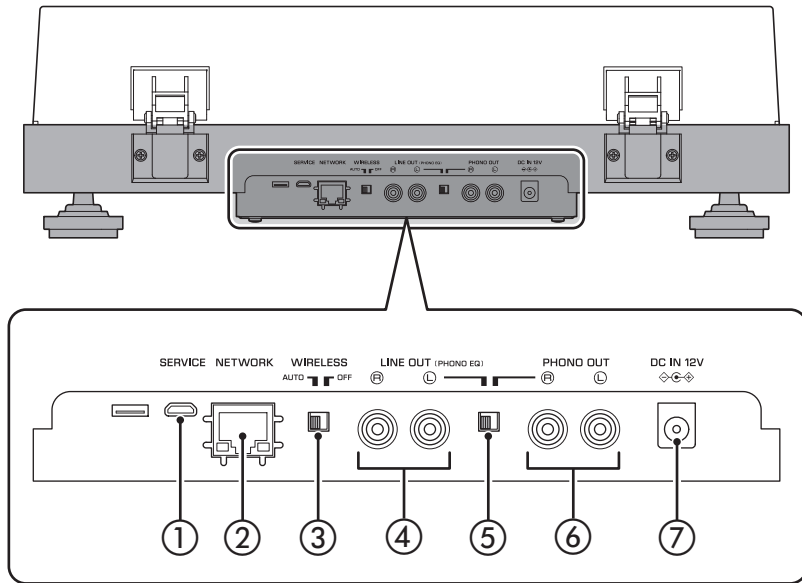
Tänds när den här enheten ansluts trådlöst. (⇒ sidan 21)

(Bluetooth)-indikator

Tänds när enheten ansluts till en Bluetooth-apparat. (⇒ sidan 28)

⑨ Tonarm (⇒ sidan 14)**⑩ Huvudskal (⇒ sidan 14)****⑪ Patron****⑫ Motvikt (⇒ sidan 19)****⑬ Låsring (⇒ sidan 19)****⑭ Stöd (⇒ sidan 18)****⑮ Spak (⇒ sidan 24)****⑯ Anti-skating funktion (⇒ sidan 20)**

Bakpanel



① SERVICE-uttag

Detta uttag är endast för service. Det används normalt inte.

② NETWORK-uttag

Använd en LAN-kabel (kommersiellt tillgänglig) för att ansluta detta till ditt nätverk.

③ WIRELESS knapp

Aktiverar/inaktiverar denna enhets trådlösa funktioner (inklusive Bluetooth).

AUTO (standard): Trådlös funktionalitet aktiveras.

OFF: Trådlös funktionalitet inaktiveras.

④ LINE OUT-uttag

Matar ut ljuduppspelning från skivan eller nätverkskällan. (⇒ sidan 16)

⑤ Väljarknappen för ljudutgång

Växlar ljudutgången. (⇒ sidan 16)

LINE OUT (Standard): Signalen från patronen förstärks av phono equalizern som är inbyggd i denna enhet och matas ut från LINE OUT-uttagen.

PHONO OUT: Signalen från patronen matas ut direkt från PHONO OUT-uttagen.

⑥ PHONO OUT-uttag

Dessa uttag matar ut skivans ljuduppspelning. (⇒ sidan 17)

⑦ DC IN-uttag

Anslut nätadaptorn (medföljer) till det här uttaget. (⇒ sidan 16)

Förberedelse

Plats

Eftersom uppspelning av skivan lätt kan påverkas av vibrationer, bör du placera enheten på ett jämnt plan som inte utsätts för yttre vibrationer. Placera den tillräckligt långt från ditt högtalarsystem så att den inte påverkas av ljudtryck eller vibrationer.

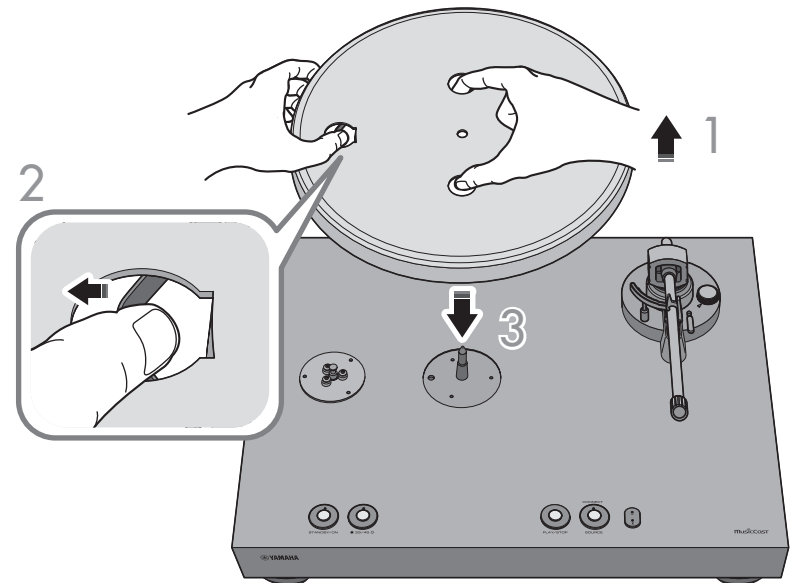
Hopsättning

Sätta ihop enheten

- 1 Lyft upp tallriken.
- 2 För in fingret genom det runda hålet i tallriken, dra remmen utåt genom att haka fast det över fingret.
- 3 Sätt in tallriken på mittaxeln.

FÖRSIKTIGHET

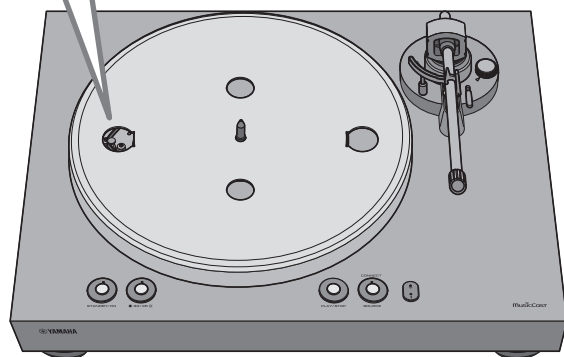
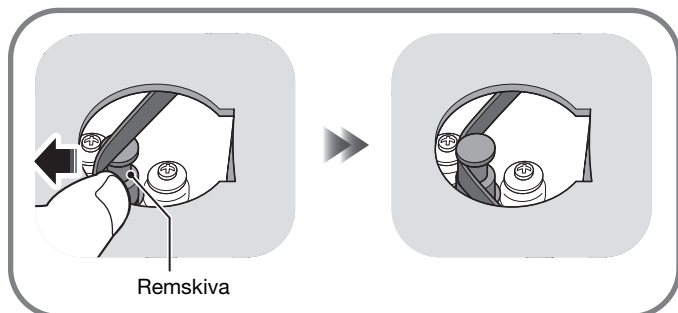
- ◆ Var försiktig så att du inte tappar tallriken. Tappas den kan den orsaka skada eller skada på enheten.



4 Rikta upp tallrikens runda hål med remskivan.

5 Använd ditt finger för att fästa remmen på remskivan.

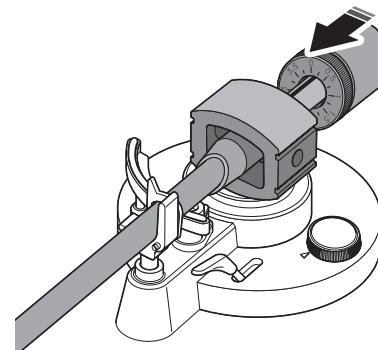
Var försiktig så att remmen inte tvinnas. Efter att ha monterat remmen på remskivan, roterar du tallriken flera gånger för att säkerställa att remmen är ordentligt på plats.



6 Placera plattan på tallriken.

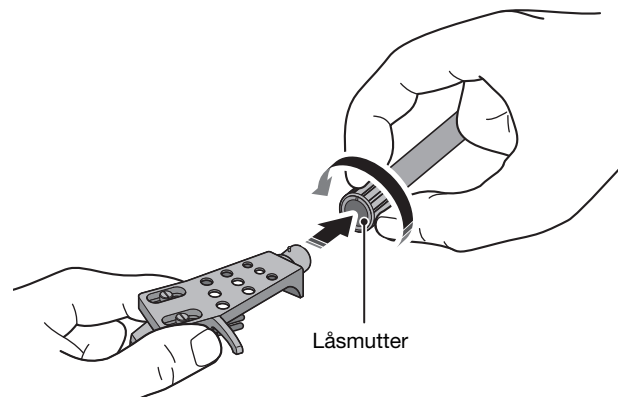
7 Fäst motvikten på tonarmen.

Med markeringarna på motvikten pekande mot dig, skjut den till den bakre änden av tonarmen.



8 Fäst huvudskalet på tonarmen.

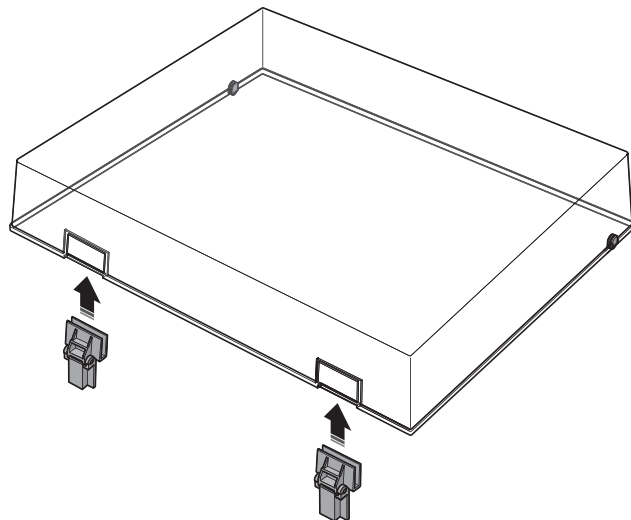
Sätt in huvudskalet i främre änden av tonarmen och vrid låsmuttern för att säkra den.



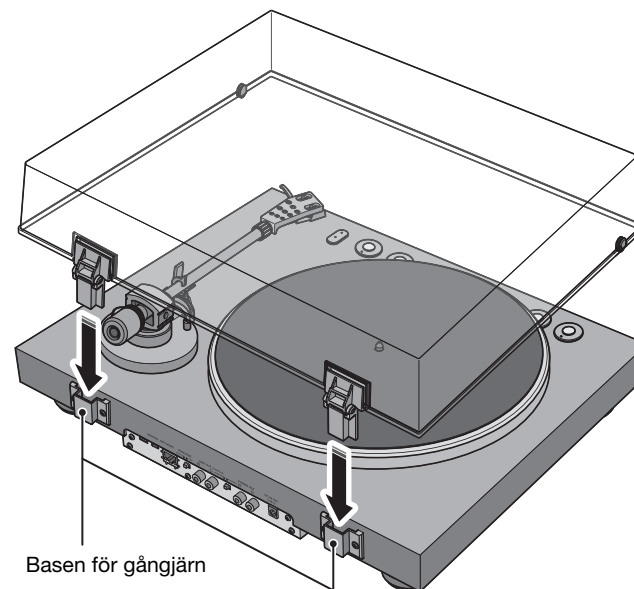
Montera dammlocket

Dammlocket skyddar enheten från damm etc.

- 1 Montera gångjärnen på bägge av dammlocket.



- 2 Fäst dammlocket genom att fästa gångjärnen på enhetens bakpanel.



OBS!

- ◆ När du ska ta bort dammlocket, greppa de två sidorna av dammlocket och lyft långsamt uppåt för att ta bort locket tillsammans med gångjärnen.



FÖRSIKTIGHET

- ◆ Var försiktig så att du inte klämmer dina händer eller fingrar när du öppnar eller stänger dammlocket.

Utför anslutningar

Anslutning till en förstärkare

Gör anslutningar enligt bilden nedan.

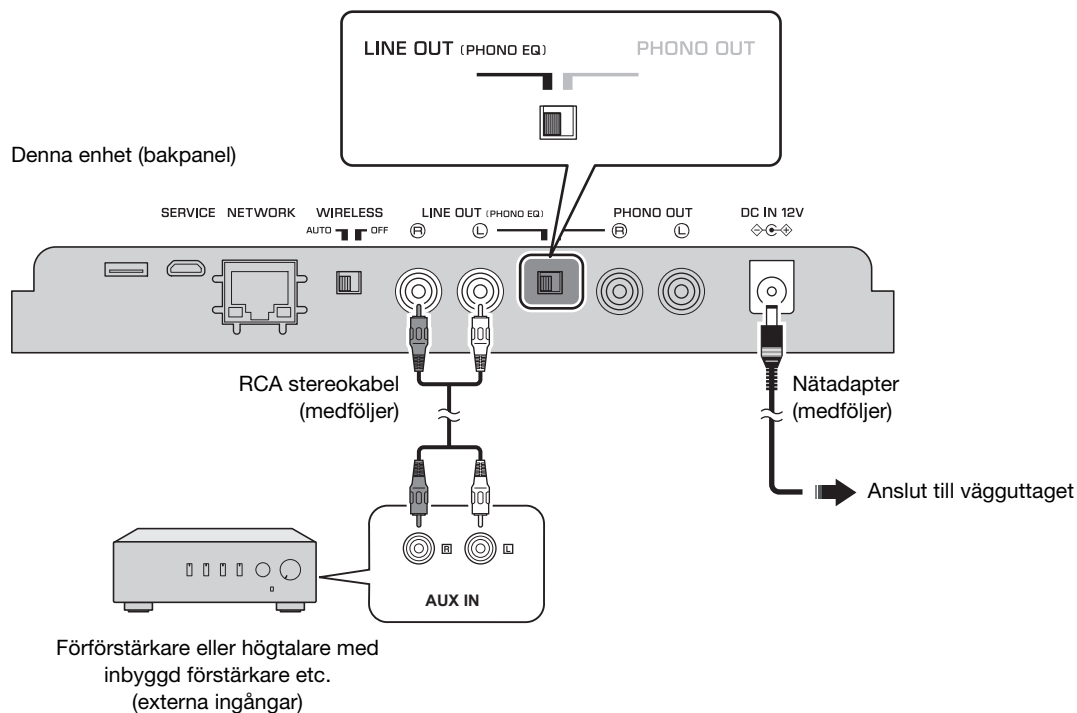
■ Om du använder den här enhetens LINE OUT-uttag

Källor som kan spelas upp: Skivor, alla nätverkskällor inklusive internetradio, Bluetooth



FÖRSIKTIGHET

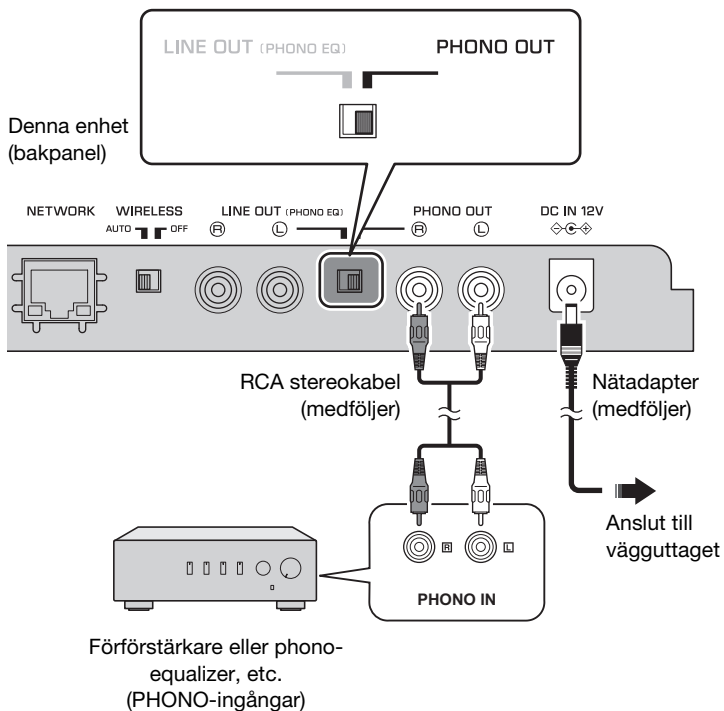
- ◆ Anslut inte strömkablarna till denna enhet och andra anslutna apparater till vägguttag till dess att alla anslutningar och inställningar för väljarknapp för ljudutgång är färdigt.



■ Om du använder enhetens PHONO OUT-uttag

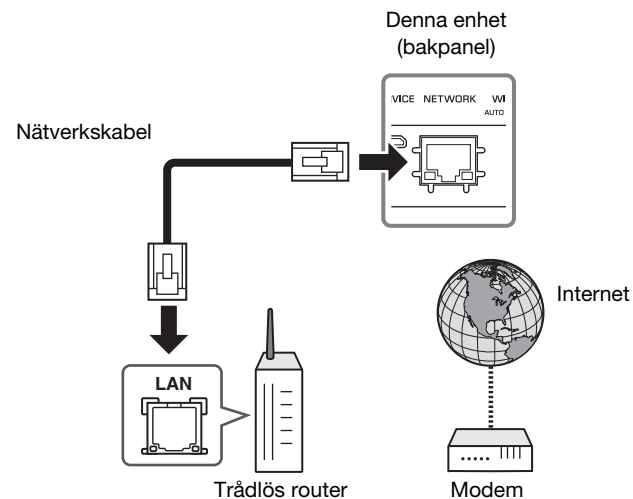
Källor som kan spelas upp: Skivor

Den här enhetens nätverksfunktionalitet kan inte användas.



Anslutning av en nätverkskabel

När du ska använda ett trådbundet nätverk, ska du ansluta enheten till routern via en kommersiellt tillgänglig STP-nätverkskabel (CAT-5 eller högre, rak kabel). För att ansluta trådlöst till nätverket, fortsätt till "Ansluter enheten till nätverket" (⇒ sidan 21).



OBS!

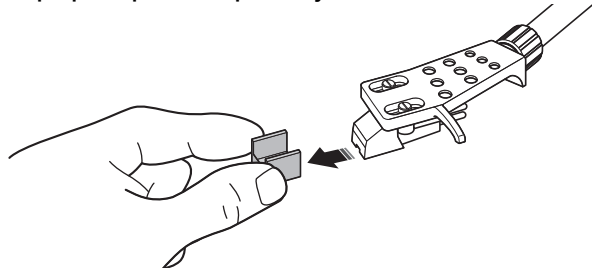
- ◆ Anslut nätverkskabeln innan du slår på strömmen till den här enheten.
- ◆ Du kan ansluta till nätverket via en trådbunden anslutning, oavsett om knappen WIRELESS som finns på bakpanelen på denna enhet är inställd på AUTO eller OFF. (⇒ sidan 12)
- ◆ Om enheten redan är trådlöst ansluten till nätverket, ska du sätta enheten i standby-läge, anslut nätverkskabeln, vrid på knappen för WIRELESS på bakpanelen till OFF, och slå sedan på strömmen. (⇒ sidan 12)

Utföra justeringar

Justera trycket på pickup-nålen

Justera tonarmen så att tillräckligt tryck på nålen tillämpas på skivan.

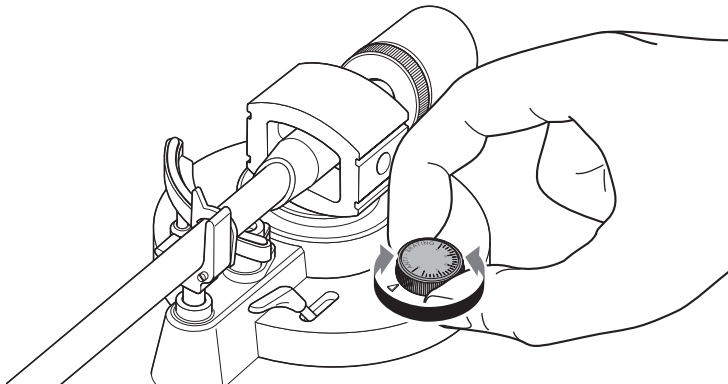
- 1 Lossa på pickup-nålens plastskydd.



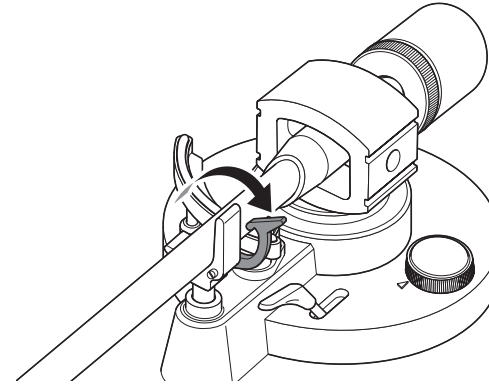
MEDELANDE

- ◆ Var noga med att plastskyddet eller fingret inte kommer i kontakt med pickup-nålen.

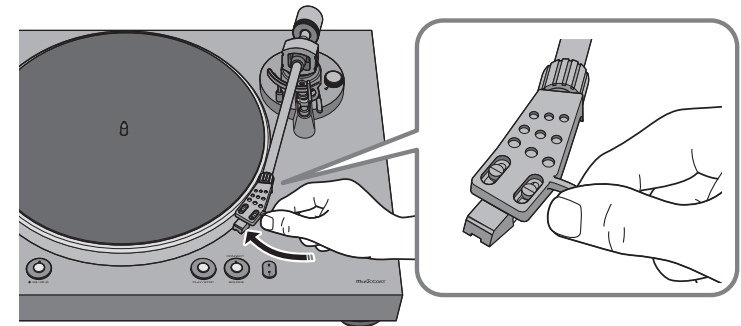
- 2 Ställ in anti-skating funktionen till positionen "0".



- 3 Släpp tonarmlåset.



- 4 Lyft tonarmen från stödet och något till vänster.



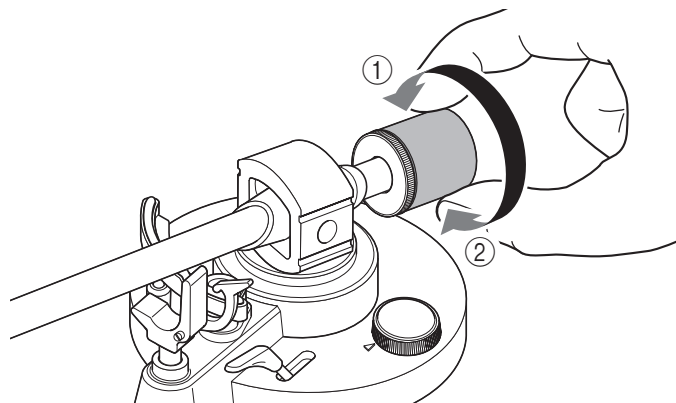
MEDELANDE

- ◆ Se till att nålen inte kommer i kontakt med någon del av enheten.

5 Vrid motvikten så att tonen är horisontalt läge.

Mot ①: Motvikten rör sig framåt på tonarmen.

Mot ②: Motvikten rör sig bakåt på tonarmen.



Korrekt



Tonarmen är horisontal
(balanserad)

Felaktigt



Motvikt är för långt framåt

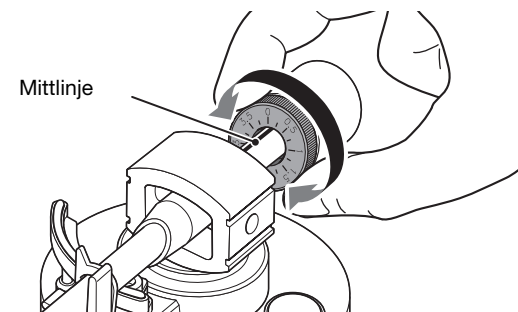
Felaktigt



Motvikt är för långt bakåt

6 För tonarmen tillbaka till stödet och lås den på plats.

7 Vrid låsringen så att markeringen "0" är i linje med mittlinjen på den bakre änden av tonarmen.

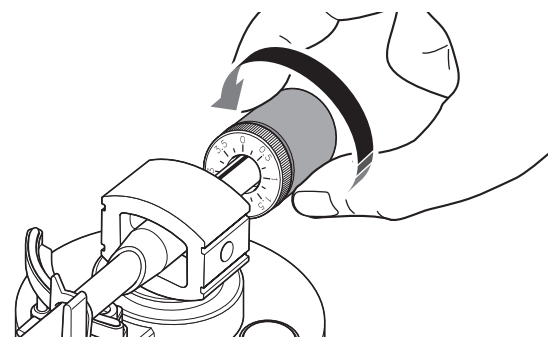


OBS!

- ◆ När du vrider låsringen, använd fingrarna för att trycka motvikten så att den inte roterar.

8 Genom att vrida motvikten, ställer du in markeringarna på motvikten för trycket på pickup-nålen som anges för patronen.

Det angivna trycket på pickup-nålen för den medföljande patronen is 3,5 g.



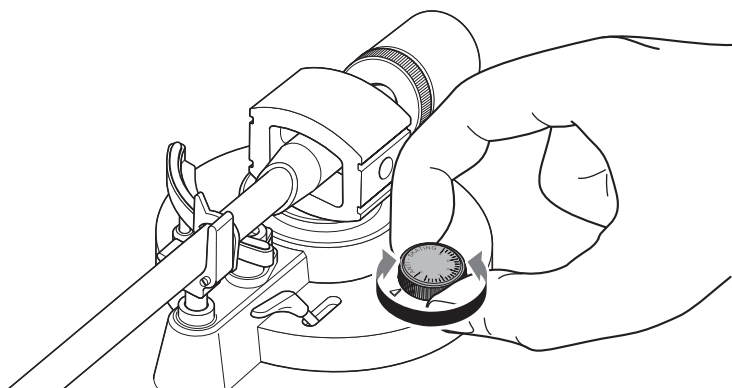
OBS!

- ◆ Genom att vrida motvikten vrids också låsringen.

Justera anti-skating funktionen

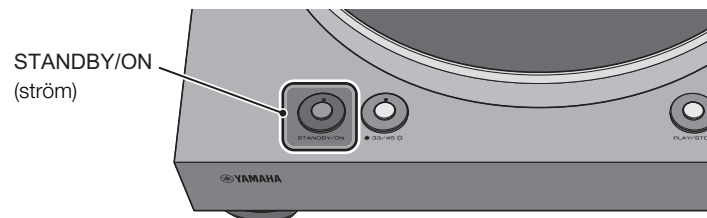
När tallriken roterar, genererar pickup-nålens spets en kraft som drar den mot mitten för rotationen. Om värdet för funktionen anti-skating är satt till samma värde som trycket på pickup-nålen, genereras en kraft som drar pickup-nålens spets utåt från mitten av rotationen och de två krafterna avbryter varandra.

- 1 Justera funktionen för anti-skating till samma värde som patronens tryck på pickup-nålen.




Slå på strömmen

På enhetens övre del, tryck STANDBY/ON (ström) för att slå på strömmen till enheten. Tryck STANDBY/ON (ström) återigen för att sätta enheten i standby-läge.



OBS!

- ◆ När du för första gången slår på strömmen på enheten efter att ha köpt den eller initialiserat den, kan  (trådlöst LAN) indikator börja blinka. Om den blinkar, kan du ansluta till det trådlösa nätverket genom att dela iOS-apparatens nätverksinställningar. (⇒ sidan 33)
För att kunna njuta av musik från en mängd olika nätverkskällor, använd MusicCast CONTROLLER för att ansluta till ditt nätverk. (⇒ sidan 21)

Om enhetens standby-lägen

Enheten har två typer av standby-lägen.

Nätverk i standby-läge: Ström till enheten kan slås på från en nätverksapparat. (endast när väljarknappen för ljudutgång är satt till LINE OUT)

Eco i standby-läge: Detta läge minskar energiförbrukningen i standby-läge.

OBS!

- ◆ Om du vill växla till inställningen Eco i Standby-läge, kan du använda din webbläsare för att ändra inställningen för standby-läget. (⇒ sidan 31)
- ◆ Om du önskar växla tillfälligt till eco i standby-läge, håller du STANDBY/ON (ström) nedtryckt i fem sekunder medan enheten är påslagen. (endast när väljarknappen för ljudutgång är satt till LINE OUT)

Ansluter enheten till nätverket

Detta avsnitt förklarar hur du registrerar enheten med MusicCast och ställer in den för nätverksanslutningen.

Även om denna apparat är ansluten till nätverket via en kabel, är registrering av MusicCast nödvändig för att kunna spela upp nätverkskällor.

OBS!

- ◆ Om du vill spela upp ljudkällor av hög kvalitet via nätverket, rekommenderas en kabelanslutning för stabilare uppspelning. (⇒ sidan 17)
- ◆ Din mobila apparat måste redan vara ansluten till den trådlösa LAN-routern (åtkomstpunkt).

1 Installera MusicCast CONTROLLER på din mobila apparat.

I App-butiken eller i Google Play, sök efter MusicCast CONTROLLER (gratis), och installera det på din mobila apparat.

För mer om MusicCast CONTROLLER, besök följande webbplats.
<https://www.yamaha.com/musiccast/>



MusicCast CONTROLLER är en app för att styra apparater som stöder MusicCast. Det låter dig dela musik mellan flera MusicCast-kompatibla apparater som placeras i olika rum. Du kan använda din smart telefon eller annan mobilapparat som en fjärrkontroll och enkelt välja låtar och göra inställningar på MusicCast-kompatibel apparat.

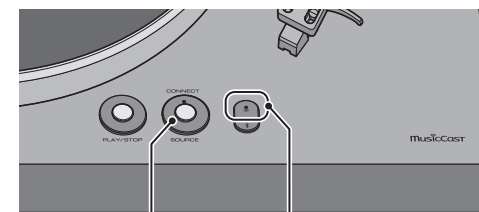
2 Starta MusicCast CONTROLLER på din mobila apparat och knacka sedan på "Installera".



Knacka här.

3 Använd MusicCast CONTROLLER enligt instruktionerna som visas på skärmen på din mobila apparat, och överst på enhetens panel. Håll sedan knappen CONNECT nedtryckt i fem sekunder.


Indikatorn  (trådlöst LAN) börjar blinka.



CONNECT

 (trådlöst LAN) indikator


4 Följ anvisningarna på skärmen för mobilapparaten när du ska använda MusicCast CONTROLLER för att konfigurera nätverksinställningar.

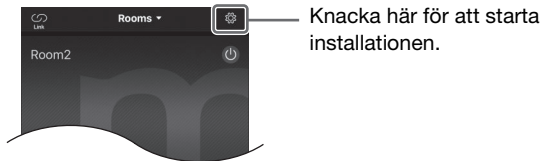
När enheten ansluts till nätverket, tänds  (trådlöst LAN) indikatorn.

Nu är enheten registrerad hos MusicCast och nätverksinställningarna är klara.

Använd MusicCast CONTROLLER när du ska spela upp musiken.

OBS!

- ◆ För att ställa in ytterligare MusicCast-kompatibla apparater, tryck på  (Inställningar) i övre högra hörnet på skärmen för MusicCast CONTROLLER, och välj sedan "Lägg till ny enhet".



Uppspelning

Lyssna på en skiva

Så här spelar du upp en skiva.

■ Börja uppspelningen

⚠ FÖRSIKTIGHET

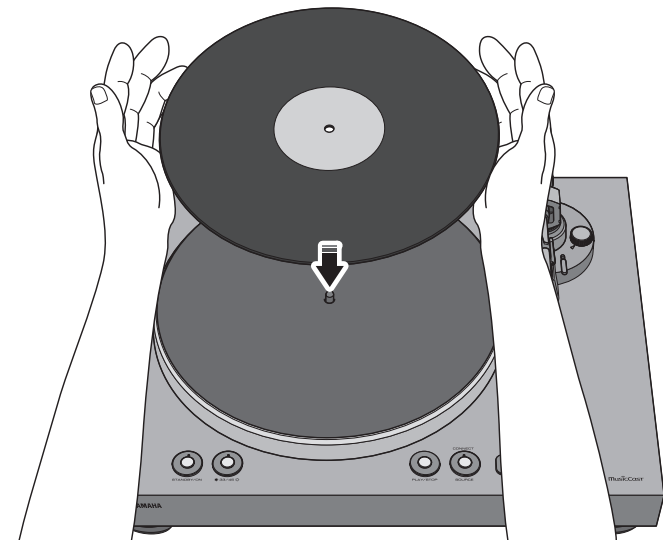
- ◆ Om du spelar upp en skiva utan att sänka ljudvolymen på din förstärkare, kan ett högt ljud inträffa när nålens spets kommer i kontakt med skivan. Detta kan orsaka hörselnedsättning och kan skada din förstärkare och högtalare. Så se till att sänka ljudvolymen på din förstärkare.
- ◆ Om du spelar en skiva och ljudet matas ut från LINE OUT-uttag, stannar tallriken när du växlar källa från PHONO till nätverk eller Bluetooth.

OBS!

- ◆ MusicCast CONTROLLER kan inte starta/stoppa inspelningen eller ändra hastigheten.

1 Öppna dammlocket och placera skivan på tallriken.

Om du spelar en skiva med 45 rpm (varv/minut), använd den medföljande 45 rpm-adaptorn.



2 Tryck 33/45 (varv/minut) för att välja lämplig hastighet för skivan.

Varvtalet växlar varje gång du trycker på 33/45 (varv/minut).

Indikator för varvtal tänd: Hastighet 33 1/3 varv/minut

Indikator för varvtal släckt: Hastighet 45 varv/minut

3 Tryck SOURCE när du ska växla källa till PHONO.

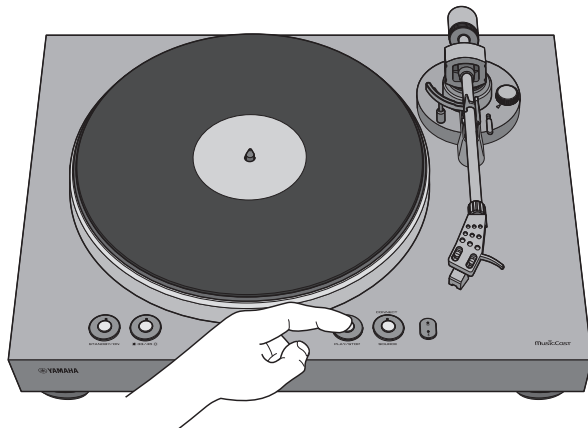
SOURCE-indikatorn lyser vit.

OBS!

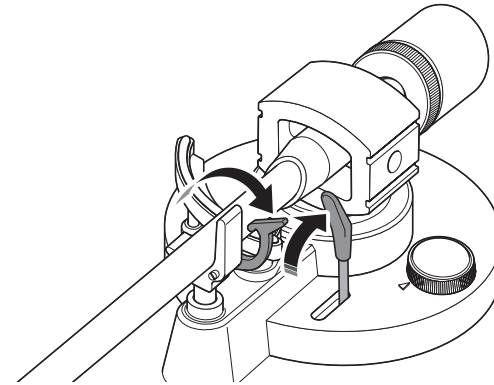
- ◆ Om omkopplaren för ljud är inställd på PHONO OUT, finns det inget behov av växla källa.

4 Tryck PLAY/STOP (spela/stoppa).

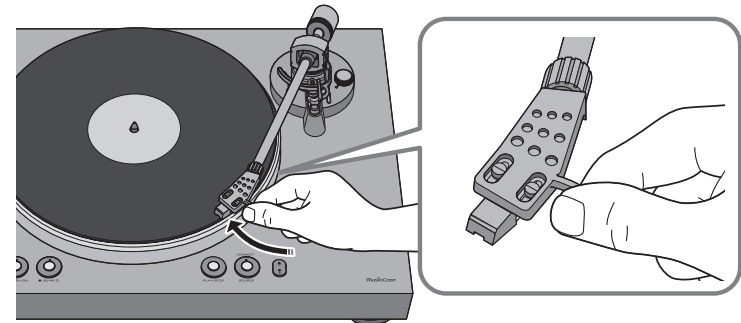
Tallriken roterar.



5 Frigör låset för tonarmen, och lyft spaken.

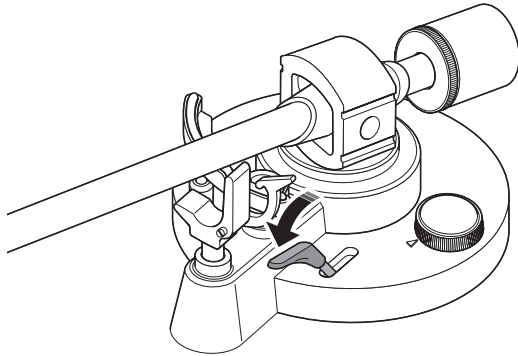


6 Flytta tonarmen till positionen för uppspelning för skivan.



7 Sänk spaken.

Tonarmen sänks, och uppspelningen startar.



■ Pausa uppspelningen

Om du lyfter spaken, stiger tonarmen och uppspelningen pausar.

När du sänker spaken återupptas uppspelningen.

■ Stoppa uppspelningen

- 1 Lyft spaken.
- 2 För tillbaka tonarmen till stödet.
- 3 Sänk spaken.
- 4 Tryck PLAY/STOP (spela/stoppa).
Tallriken slutar rotera.
- 5 Lås tonarmen.

OBS!

- ◆ Tonarmen lyfts inte automatiskt när skivan slutar spela.
- ◆ Om du inte ska använda enheten under en tid, sätt på plastskyddet på pickup-nålen för att skydda den.

Lyssna på internetradio

Så här väljer du en internetradiostation med hjälp av MusicCast CONTROLLER som är installerat på din mobila enhet.

OBS!

- ◆ Innan du väljer en station, ska du registrera den här enheten med MusicCast. (⇒ sidan 21)
- ◆ Vissa radiostationer ute på nätet på kan vara otillgängliga vid alla tidpunkter eller under vissa timmar.
- ◆ Den här funktionen använder tjänsten “airable.Radio”. Denna tjänst tillhandahålls av Tune In GmbH.
- ◆ Den här tjänsten kan ändras utan föregående meddelande.

- 1 Använd MusicCast CONTROLLER för att välja det rum där enheten är belägen (t.ex., Room 1).
- 2 Knacka på “Net Radio”.
- 3 Välj internetradiostation som du vill lyssna på.

Lyssna på strömmande tjänster

Du kan lyssna på en strömmande tjänst med hjälp av MusicCast CONTROLLER som är installerat på din mobila enhet. För information om strömmande tjänster, se kompletterande förklaringar angående strömmande tjänster som finns i ditt område. Åtkomst till sidan Yamaha för hämtning av kompletterande förklaringar.

<https://download.yamaha.com/>

OBS!

- ◆ Tjänsten är begränsad till vissa områden.
- ◆ Tjänster som stöds av enheten kanske inte är tillgängliga beroende på den region där enheten köptes.
- ◆ Den här tjänsten kan ändras eller avslutas utan föregående meddelande.

Spelar musikfiler som lagrats på mediaservrar (persondator/NAS)

Du kan spela musikfiler som lagrats på din persondator eller DLNA-kompatibel NAS på enheten.

OBS!

- ◆ Ljudet kan störas under tiden du använder den trådlösa nätverksanslutningen. I detta fall ska du använda en trådbunden nätverksanslutning. (⇒ sidan 17)
- ◆ För information om filformatet som kan spelas upp med enheten, se "Apparater och filformat som stöds" (⇒ sidan 41). Dessutom, se specifikationerna för NAS-enheten.

Inställning av mediedelning

När du vill spela musik lagrad i datorn (eller NAS-enhet) på enheten, måste du aktivera mediedelning mellan den här enheten och andra apparater.

■ För en dator som kör Windows Media Player

Inställningsproceduren kan variera beroende på dator eller vilken version av Windows Media Player som används. De följande instruktioner använder Windows Media Player 12 som exempel.

OBS!

- ◆ Metoden beror på datorn och de inställningar som du använder. För mer information, hänvisas du till tillverkaren av din dator eller i hjälpen för Windows Media Player.

- 1 Starta Windows Media Player 12 på din dator.
- 2 Välj "Strömma", och sedan "Slå på mediaströmning".
- 3 Klicka "Slå på mediaströmning".

- 4 Välj "Tillåta" från listan på rullgardinsmenyn bredvid enheten modellnamn.

- 5 Klicka "OK" för att avsluta.

■ För en dator eller en NAS som kör programvara för DLNA server annat än Windows Media Player

Se bruksanvisningen för apparaten eller programvaran och konfigurera inställningar för mediedelning.

Spela upp musikfiler

Så här spelar du upp med hjälp av MusicCast CONTROLLER som är installerat på din mobila enhet.

OBS!

- ◆ Registrera enheten som en MusicCast-aktiverad enhet innan musikfiler ska spelas upp. (⇒ sidan 21)

- 1 Använd MusicCast CONTROLLER för att välja det rum där enheten är belägen (t.ex., Room 1).
- 2 Tryck på "Server".
- 3 Följ anvisningarna på skärmen för att välja en låt.

Lyssna på musik via Bluetooth

Du kan spela upp musikfiler som sparats på en Bluetooth-apparat (till exempel som en smart telefon) på enheten.

OBS!


- ◆ För att kunna använda Bluetooth-funktionen, slå på knappen WIRELESS som finns på bakpanelen på denna enhet till AUTO. (⇒ sidan 12)
- ◆ För information om Bluetooth-enheter som stöds, se "Apparater och filformat som stöds" (⇒ sidan 41).

1 Ovanpå panelen på den här enheten, tryck SOURCE för att växla källa till Bluetooth.

SOURCE-indikatorn lyser blå.

2 På Bluetooth-apparaten, slå på Bluetooth-funktionen.

3 På Bluetooth-apparaten, välj denna enhet från listan över tillgängliga apparater.

När den här enheten ansluts till en Bluetooth-apparat, tänds  (Bluetooth) indikatorn.

OBS!

- ◆ Om du ombeds ange ett lösenord, ange siffrorna "0000".
- ◆ Om enheten är registrerad som en MusicCast-apparat, kommer rummets namn visas i listan över tillgängliga apparater.

4 På Bluetooth-apparaten, välj en låt och börja uppspelningen.

OBS!

- ◆ Om enheten upptäcker en Bluetooth-apparat som tidigare var ansluten, kommer enheten automatiskt anslutas till Bluetooth-apparaten efter steg 1. För att upprätta ännu en Bluetooth-anslutning, ska du först koppla bort den aktuella Bluetooth-anslutningen.
- ◆ För att avsluta Bluetooth-anslutningen, utför en av följande åtgärder:
 - Kopplar från den anslutna Bluetooth-apparaten.
 - Välj något annat än "Bluetooth" som källa för denna enhet.
- ◆ Om du aktiverar standby-läget för Bluetooth, aktiveras den här enheten automatiskt när en anslutningsåtgärd utförs på Bluetooth-enheten. (⇒ sidan 31)

Lyssnar på musik via AirPlay

Du kan använda funktionen AirPlay när du vill spela musikfiler med iTunes eller iOS via ett nätverk.

OBS!

- ◆ Om iOS-enheten inte känner igen enheten, ska du kontrollera nätverksmiljön (t.ex. router).
- ◆ För information iOS-enheter som stöds, se "Enheter som stöds och filformat" (⇒ sidan 41).

1 Starta iTunes, eller visa skärmen för uppspelning av musik på iOS-enheten.

Efter det att iTunes eller iOS känner igen enheten, visas ikonen AirPlay.

T.ex. (iOS 10)



T.ex., (iTunes)



2 I iTunes eller på iOS-enheten, klick (tryck) på ikonen AirPlay, och välj sedan denna enhet som utgångspunkt för ljud.

3 Välj en låt i iTunes eller på iOS-enheten när du vill starta uppspelningen.

Källan till enheten växlar automatiskt till nätverket (Airplay), och uppspelningen startar.

Indikatorn för SOURCE lyser rosa.

Använd MusicCast CONTROLLER för att registrera favoriter

Du kan registrera upp till 40 poster av favorit innehåll (låtar som lagras på din dator och internetradiostationer).

- 1 Spela en låt eller internetradiostation som du vill registrera.
- 2 På skärmen för uppspelning, tryck på **...** och sedan på "Lägg till i Favoriter".



Knacka här.

■ Återkalla registrerat innehåll

- 1 Använd MusicCast CONTROLLER för att välja det rum där enheten är belägen (t.ex., Room 1).
- 2 Tryck "Favoriter", och välj det innehåll som du vill spela.

Information om inställningar

Genomföra inställningar via MusicCast CONTROLLER

Du kan använda MusicCast CONTROLLER för att genomföra inställningar för en mängd olika funktioner.

Ställa in timern för sömn

Denna funktion ställer automatiskt in enhetens ström till standby-läge efter att den angivna tiden har utgått.

Inställningar: Av (standard), 30 min., 60 min., 90 min., 120 min.

OBS!

- ◆ **Inställning av timer för sömn avbryts om du utför någon av följande åtgärder.**
 - Ställ in enhetens ström till standby-läge.
 - Koppla ur enheten från vägguttaget.
 - Växla källan till PHONO.
- ◆ Timern för sömn kan inte användas om källan är inställd på PHONO.

Aktiverar/inaktiverar automatisk uppspelning

Denna funktion anger huruvida låtar från datorn (server) spelas upp automatiskt, när källan växlas till servern.

Inställningar

På (standard): Automatisk uppspelning aktiveras.
Om enheten förvarar en historik av uppspelningar, kommer den sista posten som spelades spelas upp igen. Om en sådan post inte längre existerar, kommer enheten inte att spela den.

Av: Automatisk uppspelning inaktiveras.

Aktiverar/inaktiverar automatiskt i standby-läge

Den här funktionen ställer automatiskt in strömmen till standby-läge efter att den angivna tiden har gått utan att någon uppspelning eller åtgärd utförts.

Inställningar

Av: Automatisk standby-läge är inaktiverat.

På: Automatisk uppspelning är aktiverad.
Om den här enheten inte har spelats under de senaste 20 minuterna, eller inte har använts under de senaste åtta timmarna, växlar strömmen automatiskt till standby-läge.

Standard

Modeller för Storbritannien, Europa och Korea: På
Övriga modeller: Av

OBS!

- ◆ Omedelbart innan du går i standby-läge, blinkar indikatorn STANDBY/ON (ström).

Göra inställningar via en webbläsare

Du kan använda en webbläsare på din dator eller annan apparat för att göra inställningar på den här enheten och nätverksanslutningen. Här förklarar vi inställningen för standby.

Anslut den här enheten till nätverket innan du fortsätter med följande åtgärder. (⇒ sidor 17 och 21)

Åtkomst till skärmen med inställningar

Så här öppnar du skärmen med inställningar på din dator.

- 1 Använda sig av MusicCast CONTROLLER för att hitta enhetens IP-adress.
- 2 Starta en webbläsare på din dator.
- 3 Ange adressens IP-adress i adressfältet i din webbläsare och tryck sedan på Enter.

Skärmen med inställningar visas.

OBS!

- ◆ Vi garanterar inte att detta kommer att fungera med alla apparater eller webbläsare.

■ Inställning av standby-läge

Nätverk i standby-läge

Anger om den här enhetens ström kan slås på från en nätverksenhet.

Auto (standard): Nätverk i standby-läge är aktiverat. Om den här enheten inte är ansluten till ett nätverk, inaktiveras nätverket i standby-läge automatiskt. (Denna enhet anger eco i standby-läge.)

On: Nätverk i standby-läge är aktiverat. Denna inställning förbrukar mer ström än inställningen "Off".

Off: Nätverk i är aktiverat i standby-läge. (Denna enhet anger eco i standby-läge.)

Bluetooth i standby-läge

Anger om den här enhetens ström kan styras från Bluetooth-enheten. Om denna inställning är "On", slås den här enheten automatiskt på när en anslutningsåtgärd utförs på Bluetooth-enheten.

On (standard): Bluetooth är aktiverat i standby-läge. (Endast om inställningen för nätverket i standby-läge är "Auto" eller "On".)

Off: Bluetooth är inaktiverat i standby-läge.



Med en avancerad design för energibesparing uppnår denna produkt låg energiförbrukning på högst 2 watt när den är i standby-läge för nätverket.



När så krävs

Uppdatera det fasta programmet

Ny hård mjukvara som ger tillgång till fler eller förbättrade produkter släpps då och då efter behov.

Du kan uppdatera det fasta programmet med hjälp av MusicCast CONTROLLER som är installerat på din mobila enhet.

När ett nytt fast program är tillgängligt, visar skärmen för MusicCast CONTROLLER meddelandet "Vill du uppdatera firmware nu?".

1 Tryck på "Ja".

Uppdatering av det fasta programmet börjar.


Under uppdateringen visas en förloppsindikator på skärmen för MusicCast CONTROLLER, och SOURCE-indikatorn på denna enhet blinkar ljusblå.

När uppdateringen är genomförd, anger skärmen för MusicCast CONTROLLER "Firmware uppdateringen är klar", och SOURCE-indikatorn på enheten lyser ljusblå.

MEDDELANDE

- ◆ Under tiden som det fasta programmet uppdateras, ska du inte använda enheten eller koppla ifrån nätadaptern eller nätverkskabeln.

OBS!

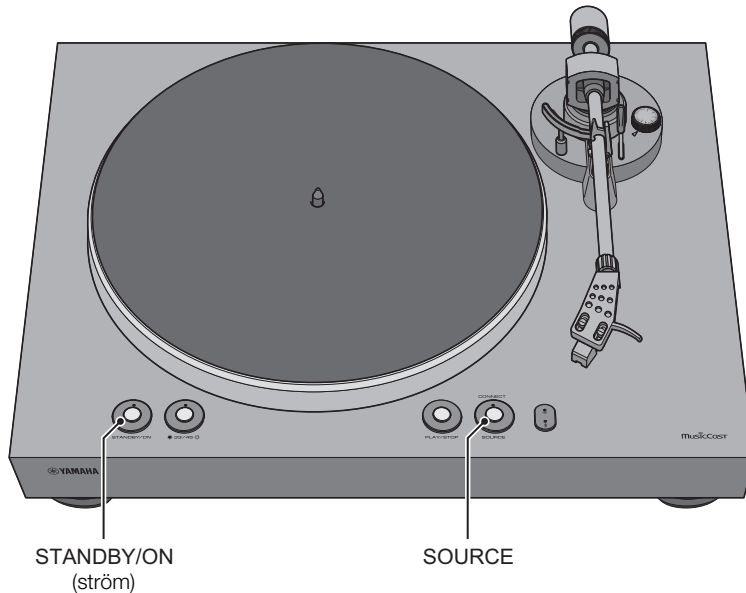
- ◆ Om du väljer "Senare", tryck  (Inställningar) i MusicCast CONTROLLER och välj "Ny firmware finns tillgänglig". Uppdatera det fasta programmet enligt instruktionerna på skärmen.
- ◆ När ett nytt fast program är tillgängligt, blinkar SOURCE-indikatorn också orange när strömmen till den här enheten är påslagen.
- ◆ Om du inte använder MusicCast CONTROLLER, startar uppdateringen av det fasta programmet när du håller ned PLAY/STOP (spela/stoppa) och tryck på STANDBY/ON (ström) medan den här enhetens ström är i standby-läge.
- ◆ Mer information om det fasta programmet finns på Yamahas hemsida.

Initialisera inställningar


Så här öppnar du inställningar på enheten.

- 1 Tryck **STANDBY/ON (ström)** för att ställa in denna enhets ström i standby-läge.
- 2 Medan du håller **SOURCE** nedtryckt, tryck på **STANDBY/ON (ström)** för att slå på strömmen på den här enheten.

Inställningarna kommer att initieras.



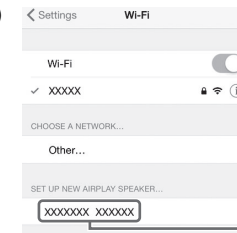
Ansluta till ett nätverk med hjälp av WAC funktionen

När du slår på strömmen efter att ha köpt enheten eller initialiserat den, börjar  (trådlös LAN) indikator blinka. (Med undantag när enheten redan är ansluten till nätverket via en kabel, eller väljarknappen för ljudutgången är inställd på PHONO OUT). Medan den blinkar, kan du ansluta till det trådlösa nätverket genom att dela nätverksinställningarna på din iOS-apparat (WAC funktion).

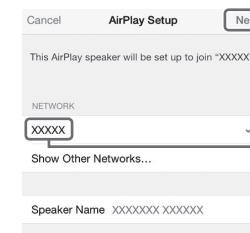
För att använda denna funktion, fortsätt enligt följande.

- 1 I Wi-Fi skärmen för iOS-apparat, väljer du den här enheten som AirPlay högtalare.

T.ex. (iOS 10)



- 2 Säkerställ att fältet för "Network" är inställt på önskat nätverk och tryck sedan på "Next".



När inställningen är klar, ansluter enheten automatiskt till det valda nätverket (åtkomstpunkt).

Skötsel

■ Skötsel av denna enhet

Torka av den med en mjuk torr trasa. Använd inte kemikalier som bensin eller förtunningsmedel eftersom de kan skada ytan.

■ Skötsel av skivans pickup-nål

Spetsen på pickup-nålen för skivan är extremt känslig. Hantera den med försiktighet så att den inte skadas. Om damm fästs vid spetsen på pickup-nålen, använd en mjuk spetsig borste för att torka av den från basen på pickup-nålen och rör dig mot spetsen eller använd en kommersiellt tillgänglig rengörare som är gjord för detta ändamål.

■ Skötsel av skivor

Ansamling av smuts på en skiva kan orsaka hopp eller brus. Använd en kommersiell skivrengörare för att avlägsna smuts.

Byte

Byte av rem

Beroende på användningsförhållandena kan remmen slitas ut eller brytas. Om detta inträffar, byt ut remmen. För ett byte av remmen, kontakta din närmaste auktoriserade Yamaha-återförsäljare eller servicecenter.

- 1 **Stäng av strömmen till den här enheten och de anslutna apparaterna och koppla bort den här enhetens nätadapter från vägguttaget.**
- 2 **Ta bort plattan från tallriken.**
- 3 **Lossa på remmen från remskivan.**
- 4 **För in fingrarna i plattans runda hål och lyfta upp tallriken.**



FÖRSIKTIGHET

- ◆ Var försiktig så att du inte tappar tallriken. Tappas den kan den orsaka skada eller skada på enheten.

- 5 **Vänd tallriken över och ta bort remmen.**
- 6 **Montera den nya remmen på tallriken.**
Var försiktig så att remmen inte tvinnas.
- 7 **Montera tallriken på den här enheten.**
För mer information om installationen, se "Hopsättning" på sidan 13.

Byta skivans pickup-nål

När spetsen på pickup-nålen för skivan slits ned eller skadas, ska den bytas ut omedelbart.

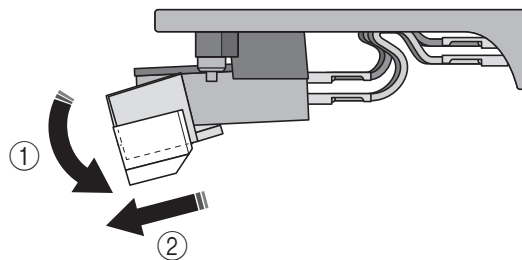
Köp en ATN3600L pickup-nål tillverkad av Audio-Technica, när du ska byta ut den.

FÖRSIKTIGHET

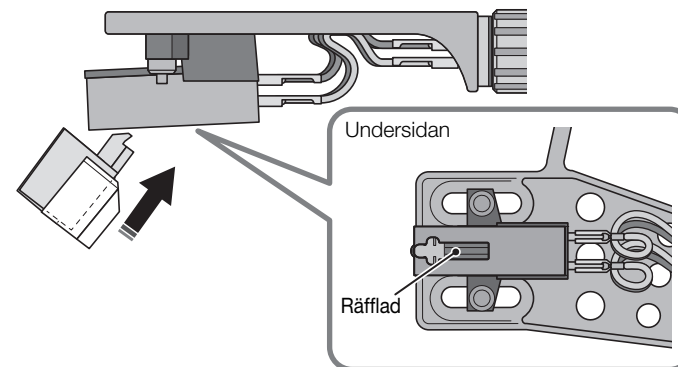
- ◆ Fäst plastskyddet på nålen, innan du byter ut den. Pickup-nålens spets kan skada dig, eller den kan skadas.
- ◆ Var försiktig så att barn inte sväljer nålen när den tas bort.

1 Stäng av strömmen till den här enheten och de anslutna apparaterna och koppla bort den här enhetens nätadapter från vägguttaget.

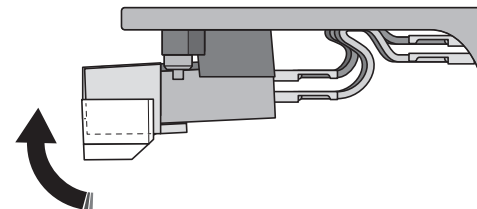
2 Medan du använder fingrarna för att hålla patronens kropp, tryck på pickup-nålen nedåt i riktning ① och dra den i riktning mot ② för att ta bort den.



3 Medan du använder fingrarna för att hålla patronens huvuddel, sätt in fliken på den bytta nålen i spåret på undersidan av patronen.



4 Tryck på pickup-nålen tills du hör ett klick.



Flytta enheten

När du flyttar den här enheten, ska du låsa tonarmen så att den inte rör sig.

Felsökning

Om enheten slutar fungera korrekt, kontrollera följande punkter.

Om du vidtagit lämpliga åtgärder som inte löst problemet, eller om det inte finns något problem som inte anges nedan, ska du trycka på STANDBY/ON-knappen (ström) på enhetens överpanel för att stänga av strömmen. Koppla bort nätsladden och kontakta din närmaste auktoriserade Yamaha-återförsäljare eller servicecenter.

Allmänt

Problem	Orsak	Åtgärd	Referenssida
Trycka på STANDBY/ON (ström) slår inte på strömmen.	Nätadaptorn har lossnat i kontakten från den här enhetensDC IN-uttag eller från vägguttaget, eller så är den inte ordentligt ansluten.	Anslut nätadaptorn ordentligt till den här enhetensDC IN-uttag och till ett vägguttag.	16
När du trycker på STANDBY/ON (ström), börjar STANDBY/ON (ström) indikatorn att blinka och strömmen slås inte på.	Skyddskretsen användes tre gånger i följd.	För att skydda enheten slås strömmen inte längre på. Kontakta en Yamaha servicecenter för att reparera enheten.	—
Tryck på SOURCE växlar inte källan.	Väljarknappen för ljudutgång är inställd på PHONO OUT.	Ställ in väljarknappen för ljudutgång till LINE OUT.	12
Tallriken roterar inte.	Remmen är inte korrekt positionerad på tallriken och remskivan, eller remmen har lossnat.	Fäst remmen korrekt på tallriken och remskivan.	13
	STANDBY/ON (ström) är inte på.	Slå på STANDBY/ON (ström).	20
Inget ljud.	Huvudskalet är inte ordentligt fastsatt på tonarmen.	Fäst huvudskalet ordentligt på tonarmen.	14
	RCA-stereokabeln är inte korrekt ansluten.	Anslut RCA-stereokabeln korrekt.	16
	Förstärkarens ljudavstängning är på.	Stäng av förstärkarens ljudavstängning.	—
	Väljarknappen för ljudutgången på denna enhet är felaktigt inställd.	Ställ in väljarknappen för ljudutgången korrekt för den apparat som är ansluten.	16

Problem	Orsak	Åtgärd	Referenssida
Ljudvolymen är för svag eller för hög.	Patronens inställning för förstärkaren eller phono-utjämnaren är felaktig.	Upprätta inställning av patronen för förstärkaren eller phono-equalizern korrekt för den typ av patron som du använder (MM eller MC).	—
	Väljarknappen för ljudutgången är felaktigt inställd.	Ställ in väljarknappen för ljudutgången korrekt för den apparat som är ansluten.	16
Något är fel med vänster/höger balans för ljudet.	Enheten är lutad.	Placera enheten på en plan plats.	—
Hastigheten för uppspelningen är felaktig.	Hastighetsinställningen är felaktig.	Ställ in korrekt hastighet 33/45 (varvtal). Denna enhet stöder inte uppspelning av SP-skivor (78 rpm).	10
Surr är hörbar.	RCA-stereokabeln är inte korrekt ansluten.	Anslut RCA-stereokabeln korrekt.	16
	Huvudskalet är inte ordentligt fastsatt i tonarmen.	Använd låsmuttern för att säkra huvudskalet ordentligt på tonarmen.	14
Hopp inträffar. Brus uppstår. Ljudet är förvrängt.	Trycket på pickup-nålen är inte justerat korrekt.	Ställ in markeringen för motvikten på pickup-nålens tryck som anges för patronen.	18
	Skivan är repad eller krökt.	Använd inte repade eller krökta skivor.	—
	Skivan är smutsig.	Använd en kommersiell skivrengörare för att rengöra skivan.	—
	Skivan är statiskt laddad.	Använd en antistatisk borste för att ta bort statisk laddning.	—
	Pickup-nålen är smutsig.	Ta bort smutsen från pickup-nålen.	34
	Pickup-nålen är nedsliten.	Byt ut pickup-nålen.	35
Återföring inträffar.	Enheten är placerad på en plats som är utsatt för vibrationer.	Placera enheten på en plan plats som inte utsätts för vibrationer.	—
	Enheten är allt för nära högtalarna.	Placera enheten längre bort från högtalarna.	—
	Ljudvolymen för uppspelning är för hög.	Justera volymen på förstärkaren.	—

Bluetooth

Problem	Orsak	Åtgärd	Referenssida
Det går inte att para ihop enheten med Bluetooth-apparaten.	Den WIRELESS knappen som finns på bakpanelen på denna enhet är OFF.	Ställ in knappen för WIRELESS som finns på bakpanelen på denna enhet till AUTO.	12
	Väljarknappen för ljudutgång på denna enhet är satt till PHONO OUT.	Ställ in väljarknappen för ljudutgång på denna enhet till LINE OUT.	12
	En annan Bluetooth-apparat är redan ansluten till den här enheten.	Koppla bort Bluetooth-apparaten som för närvarande är ihopparat och para sedan ihop med önskad Bluetooth-apparat.	28
	Enheten och Bluetooth-apparaterna är för långt ifrån varandra.	Flytta Bluetooth-apparaten närmare enheten.	—
	Trådlös kommunikation hindras av störningar från en apparat som använder 2,4 GHz-frekvensband (t.ex. mikrovågsugn eller trådlöst LAN).	Flytta denna enhet eller Bluetooth-apparaten längre bort från sådana apparater. Om din trådlösa LAN-router stöder frekvensband på 5 GHz, ska du byta till en anslutning som använder frekvensband på 5 GHz.	—
	Din Bluetooth-apparat stöder inte A2DP-protokollet.	Använd en Bluetooth-apparat som stöder A2DP-protokollet.	—
	Anslutningsprofilen som är registrerad i Bluetooth-apparaten kanske inte fungerar av någon anledning.	Radera Bluetooth-profilen i Bluetooth-apparaten och anslut sedan Bluetooth-apparaten till den här enheten.	—
Apparatens lösenord, som exempelvis en Bluetooth-adapter, som du vill para ihop med enheten är annat än "0000".	Använd en anslutningsapparat med ett lösenord "0000".	—	
Inget ljud hörs, eller ljudet bryts då och då.	Nivån på ljudvolymen på Bluetooth-apparaten är för låg.	Öka ljudvolymen på Bluetooth-apparaten.	—
	Bluetooth-apparaten är inte inställd för att skicka ljudsignaler till den här enheten.	På Bluetooth-enheten väljer du den här enheten som destination för ljudutgången.	28
	Bluetooth-anslutningen har avbrutits.	Utför åtgärder för Bluetooth-anslutning igen.	28
	Enheten och Bluetooth-apparaterna är för långt ifrån varandra.	Flytta Bluetooth-apparaten närmare enheten.	—
	Trådlös kommunikation hindras av störningar från en apparat som använder 2,4 GHz-frekvensband (t.ex. mikrovågsugn eller trådlöst LAN).	Flytta denna enhet eller Bluetooth-apparaten längre bort från sådana apparater. Om din trådlösa LAN-router stöder frekvensband på 5 GHz, ska du byta till en anslutning som använder frekvensband på 5 GHz.	—

Nätverk

Problem	Orsak	Åtgärd	Referenssida
Kan inte använda nätverksfunktionen.	Nätverksparametrarna (IP-adress) har inte erhållits korrekt.	Aktivera funktionen DHCP-server på din router.	—
	Väljarknappen för ljudutgång på denna enhet är satt till PHONO OUT.	Ställ in väljarknappen för ljudutgång på denna enhet till LINE OUT.	12
	Den WIRELESS knappen som finns på bakpanelen på denna enhet är OFF.	Ställ in knappen för WIRELESS som finns på bakpanelen på denna enhet till AUTO.	12
	Du försöker ansluta till en IPv6-typ router.	Den här enheten är inte kompatibel med IPv6-nätverk. Anslut den till ett IPv4-nätverk.	—
Enheten kan inte anslutas till internet via en trådlös LAN-router (åtkomstpunkt).	Den trådlösa LAN-routern (åtkomstpunkt) är avstängd.	Slå på strömmen till den trådlösa LAN-routern (åtkomstpunkt).	—
	Enheten och den trådlösa LAN-routern (åtkomstpunkten) är för långt ifrån varandra.	Placera enheten och den trådlösa LAN-routern (åtkomstpunkt) närmare varandra.	—
	Det finns ett hinder mellan enheten och den trådlösa LAN-routern (åtkomstpunkt).	Ta bort hindret mellan denna enhet och den trådlösa LAN-router (åtkomstpunkt).	—
Det trådlösa nätverket kan inte användas.	En apparat som avger elektromagnetiska vågor (som t.ex. en mikrovågsugn, en trådlös apparat och så vidare) kan finnas i närheten.	När du ansluter den trådlösa enheten, ska du inte använda enheten i närheten av apparater som avger elektromagnetiska vågor.	—
	Åtkomsten till nätverket begränsas av brandväggsinställningarna i den trådlösa LAN-routern (åtkomstpunkt).	Kontrollera brandväggsinställningen för den trådlösa LAN-routern (åtkomstpunkt).	—
Datorn (servern) kan inte detekteras.	Inställningar för mediedelning på datorn (eller servern) kan vara felaktiga.	Ändra inställningarna för mediedelning så att enheten kan komma åt mapparna på datorn (eller servern).	—
	Åtkomsten är begränsad på grund av säkerhetsinställningarna på datorn (eller servern) eller routern.	Kontrollera säkerhetsinställningarna på datorn (eller servern) eller routern.	—
	Enheten och datorn är inte anslutna till samma nätverk.	Kontrollera nätverksanslutningen och inställningarna på routern och se till att de är anslutna till samma nätverk.	—
Filer på datorn (eller servern) visas inte (eller spelas upp).	Filformatet stöds inte av enheten eller datorn (eller server).	Se till att använda ett filformat som stöds av enheten och datorn.	41

Problem	Orsak	Åtgärd	Referenssida
Det går inte att spela internetradio.	Den valda internetradiostationen är för närvarande inte tillgänglig.	Det kan finnas ett nätverksproblem på radiostationen, eller att sändningstjänsten kan ha stoppats. Försök spela stationen senare eller väl en annan.	—
	Den aktuellt valda radiostationen sänder inget för tillfället.	Vissa Internetradiostationer sänder tystnad vid vissa tider på dagen. I detta fall råder det inga problem med mottagningen, men inget ljud hörs. Försök att spela stationen senare eller välj en annan station.	—
	Åtkomsten till nätverket begränsas av brandväggsinställningar för nätverkets enheter (t.ex. i routern).	Kontrollera apparaternas brandväggsinställningar. Internetradion kan bara spelas upp endast genom den port som bestämts av varje radiostation. Portnumret varierar beroende på radiostationen.	—
IOS-apparaten kan inte upptäcka enheten när du använder AirPlay.	Du kanske använder en router som stöder flera SSID-enheter.	Det kan hända att routerns funktion för nätverksdelning blockerar åtkomst till enheten. Om du ansluter en iOS-apparat till enheten, använd en SSID som tillåter åtkomst till enheten. (Försök ansluta till primära SSID.)	—
Recieveren har inte detekterats vid användning av en dedicerad applikation på en mobilapparat.	Enheten den mobila apparaten är inte anslutna till samma nätverk.	Kontrollera nätverksanslutningen och inställningarna på routern och se till att de är anslutna till samma nätverk.	—
	Du kanske använder en router som stöder flera SSID-enheter.	Det kan hända att routerns funktion för nätverksdelning blockerar åtkomst till enheten. Om du ansluter en iOS-apparat till enheten, använd en SSID som tillåter åtkomst till enheten. (Försök ansluta till primära SSID.)	—
Det fasta programmet på den här enheten uppdaterades inte.	Nätverksanslutningen är kanske inte bra.	Försök uppdatera igen efter en stund.	32
Enheten kan inte anslutas till den trådlösa LAN-routern (åtkomstpunkt).	Filtrering av MAC-adress kan ha aktiverats på den trådlösa LAN-routern (åtkomstpunkt).	Enheten kan inte anslutas till routern om filtrering av MAC-adressen är aktiverad. Ändra inställningen på den trådlösa LAN-routern (åtkomstpunkten) och försök att ansluta enheten igen.	—

Apparater och filformat som stöds

Följande apparater och filformat kan användas av enheten.

Apparater som stöds

■ Bluetooth-apparater

- ♦ Du kan använda Bluetooth-apparater som stöder A2DP-protokollet.
- ♦ Yamaha garanterar inte anslutningarna för alla Bluetooth-apparater.

■ AirPlay

AirPlay fungerar med iPhone, iPad, och iPod touch med iOS 4.3.3 eller senare, Mac med OS X Mountain Lion eller senare, och persondatorn med iTunes 10.2.2 eller senare.

Kompatibla modeller (från och med juli 2018)

Gjord för.

iPhone X, iPhone 8 Plus, iPhone 8, iPhone 7 Plus, iPhone 7, iPhone SE, iPhone 6s Plus, iPhone 6s, iPhone 6 Plus, iPhone 6, iPhone 5s, iPhone 5c, iPhone 5, iPhone 4s

iPad Pro (10,5 tum), iPad Pro (12,9 tum) 2:a generationen, iPad Pro (12,9 tum) 1:a generationen, iPad Pro (9,7 tum), iPad mini 4, iPad Air 2, iPad mini 3, iPad Air, iPad mini 2, iPad mini, iPad (5:e generationen), iPad (4:e generationen), iPad (3:e generationen), iPad 2

iPod touch (6:e generationen), iPod touch (5:e generationen)

Filformat

■ Persondator/NAS

Fil	Samplings-frekvens (kHz)	Bitdjup (bitars)	Bithastighet (kbps)	Antal kanaler	Stöd för oavbruten uppspelning
WAV *	32/44.1/48/	16/24	-	2	✓
	88.2/96/				
	176.4/192				
MP3	32/44.1/48	-	8–320	2	-
WMA	32/44.1/48	-	8–320	2	-
MPEG-4 AAC	32/44.1/48	-	8–320	2	-
	32/44.1/48/				
	88.2/96/				
FLAC	176.4/192	16/24	-	2	✓
	32/44.1/48/				
	88.2/96				
ALAC	32/44.1/48/	16/24	-	2	✓
AIFF	32/44.1/48/	16/24	-	2	✓
	88.2/96/				
	176.4/192				
DSD	2,8 MHz/	1	-	2	-
	5,6 MHz				
	11,2 MHz				

* Endast linjär PCM-format

- ♦ För att kunna spela upp FLAC-filer lagrade på din dator /NAS, måste du installera programvaran för server som stöder delning av FLAC-filer via DLNA på din dator eller använda en NAS-enhet som har stöd för FLAC-filer. För mer information, se också instruktionsmanualen för serverns programvara.
- ♦ Kodat Digital Rights Management (DRM) kan inte spelas upp.

Varumärken



Användning av verken med Apple-märket innebär att ett tillbehör som har utformats för att fungera specifikt med tekniken identifierad i märket och har certifierats av utvecklaren för att uppfylla standarden på Apple-prestanda.

Apple, iPad, iPad Air, iPad Pro, iPhone och iTunes är varumärken som tillhör Apple Inc., registrerad i USA och andra länder.

App Store är ett servicemärke som tillhör Apple Inc.

Windows™

Windows är ett registrerat varumärke som tillhör Microsoft Corporation i USA och i andra länder.

Internet Explorer, Windows Media Audio och Windows Media Player är varumärken eller registrerade varumärken som tillhör Microsoft Corporation i USA och/eller i andra länder.

Android™ Google Play™

Android och Google Play är varumärken som tillhör Google Inc.



Wi-Fi CERTIFIED™ Logotypen är ett certifieringsmärke som tillhör Wi-Fi Alliance®.

Wi-Fi, Wi-Fi CERTIFIED och Wi-Fi Protected Setup är registrerade varumärken eller varumärken som tillhör Wi-Fi Alliance®.



Bluetooth®-ordmärket och -logotyperna är registrerade varumärken som tillhör Bluetooth SIG, Inc. och all användning av sådana märken av Yamaha Corporation sker under licens.

Övriga varumärken och handelsnamn är de som tillhör respektive ägare.



Yamaha Eco-etikett är ett märke som certifierar produkter som har en hög miljöeffektivitet.



MusicCast är ett varumärke eller registrerat varumärke som tillhör Yamaha Corporation.

Förklaringar avseende GPL/LGPL

Denna produkt använder GPL/LGPL programvara med öppen källkod i vissa delar. Du har rätt att erhålla, duplicera, modifiera och vidare distribuera endast denna öppna källkod. För information om GPL/LGPL programvara med öppen källkod, hur man erhåller den, och GPL/LGPL-licensen, hänvisar vi till hemsidan för Yamaha Corporation:
<https://download.yamaha.com/sourcecodes/musiccast/>

Licenser

För information om licenser för tredje parts program i denna produkt se följande.
[http://\(IP-adress för denna produkt\)/licenses.html](http://(IP-adress för denna produkt)/licenses.html)
* IP-adress för denna produkt kontrolleras med MusicCast CONTROLLER.

Specifikationer

Specifikationer för den här enheten är enligt följande.

Tallrikens uppdelning

Metod för drift	Remdrift
Motor.	Likströmsmotor
Rotationshastighet	33 1/3 rpm, 45 rpm
Variation i rotationshastighet	±2%
Lågfrekvent svaj0,2%
Tallrik.	Pressgjutning i aluminium Mått 30 cm

Tonarmens uppdelning

Typ	Statisk balans rakt tonarm
Effektiv armlängd	223,5 mm
Omställningsområde för pickup-nålens tryck	0–4 g
Godkänd vikt för patronen	15,5–19 g (inklusive huvudskalet)
Överhäng.	19 mm

Patronens uppdelning

Typ	MM typ
Utspänning	2,5 mV (1 kHz, 3,54 cm/sek)
Tryck på pickup-nålen3,5 ±0,5 g
Patronens vikt5,0 ±0,3 g
Patronens höjd	17,0 ±0,7 mm
Huvudskalets vikt.	10 g (inklusive skruvar, muttrar och ledningar)

In-/utgångsterminaler

Analogt ljud (RCA obalanserat)
PHONO OUT×1
LINE OUT×1
NÄTVERK (Trådbundet) ×1 (100Base-TX/10Base-T)

Bluetooth

Mottagarfunktion	
Apparatens källa till denna enhet (t.ex. Smart telefon/Surfplatta)	
Stödd kodare-avkodare	SBC, AAC
Stödd profil.	A2DP, AVRCP
Bluetooth-version	Ver. 4,2
Trådlös utmatning	Bluetooth Klass 2
Maximalt kommunikationsavstånd	10 m utan störningar

Nätverk

AirPlay stöds
Internetradio

Trådlöst nätverk

Trådlösa nätverksstandarder	IEEE 802.11 a/b/g/n/ac*
	* Endast 20 MHz kanalbandbredd
Radiofrekvensband	2,4 GHz, 5 GHz
WPS (Wi-Fi Protected Setup)	
PIN-metod	
Tillgänglig säkerhetsmetod	
WEP	
WPA2-PSK (AES)	
Blandat läge	

Ljudets uppdelning (Nätverk, Bluetooth)

Utgångsnivå (1 kHz, 0 dB, Fs 44,1 kHz)	2,0 ±0,3 V
Signal till brusfaktor (IHF-A Nätverk) (Oändligt noll, Fs 44,1 kHz)	
.	110 dB eller högre
Dynamiskt område (1 kHz, -60 dB, Fs 44,1 kHz)	100 dB eller högre
Harmonisk distorsion (1 kHz, 0 dB, Fs 44,1 kHz)	0,003% eller lägre
Frekvensåtergivning	
Fs 44,1 kHz	2 Hz–20 kHz (+0/-3 dB)
Fs 48 kHz	2 Hz–24 kHz (+0/-3 dB)
Fs 96 kHz	2 Hz–48 kHz (+0/-3 dB)
Fs 192 kHz	2 Hz–96 kHz (+0/-6 dB)

Ljudets uppdelning (PHONO)

Utgångsnivå	
PHONO OUT (1kHz, 3,54 cm/sek)	2,5 mV ±3 dBV
LINE OUT.	450 mV (-7 dBV)
Signal till brusfaktor (A-viktad, 20 kHz LPF)	67 dB eller högre

Allmänt

Nätadapters strömförsörjning	
Ineffekt	AC 100-240 V 50/60 Hz
Uteffekt.	12 V 1 A
Effektförbrukning	6 W
Eco i standby-läge	0,3 W
Nätverk i standby-läge På/Bluetooth i standby-läge Av	
Trådbundet.	1,4 W
Trådlös (Wi-Fi).	1,8 W
Nätverk i standby-läge På/Bluetooth i standby-läge På	
Trådbundet.	1,6 W
Trådlös (Wi-Fi).	1,8 W
Vikt.	5,7 kg
Måtten (bredd × höjd × djup)	450 × 136 × 368 mm (inklusive ben och utskjutningar)

- ♦ Innehållet i denna bruksanvisning gäller de senaste specifikationerna vid publiceringsdatumet. Om du vill ha den senaste bruksanvisningen går du till Yamahas webbplats och laddar ned bruksanvisningsfilen.

Questo prodotto è progettato per l'utilizzo domestico per l'ascolto audio.

PRECAUZIONI

**LEGGERE ATTENTAMENTE PRIMA DELL'USO.
ACCERTARSI DI SEGUIRE LE ISTRUZIONI.**

Le precauzioni elencate di seguito sono intese a prevenire i rischi di lesioni all'utente e a terzi, nonché a evitare danni alla proprietà, al fine di aiutare l'utente a utilizzare l'unità in modo appropriato e sicuro. Accertarsi di seguire le istruzioni.

Una volta letto il presente manuale, accertarsi di riporlo in un posto sicuro per eventuale riferimento futuro.

- Qualsiasi richiesta di ispezione o riparazione deve essere rivolta al concessionario presso il quale è stata acquistata l'unità o a un tecnico autorizzato Yamaha.
- Yamaha declina qualsiasi responsabilità per lesioni personali o danni derivanti da un utilizzo non corretto o dalle modifiche apportate all'unità.
- Questo prodotto è destinato al normale uso domestico. Non utilizzare per applicazioni che richiedono elevata affidabilità, come ad esempio gestione di vite umane, strutture sanitarie o risorse di grande valore.



AVVERTENZA

Questo contenuto indica "rischio di lesioni gravi o di morte".

Alimentazione/Adattatore CA

- Non eseguire operazioni che potrebbero danneggiare il cavo di alimentazione.
 - Non posizionarlo in prossimità di una fonte di calore.
 - Non piegarlo eccessivamente o modificarlo.
 - Non graffiarlo.
 - Non posizionarlo sotto un oggetto pesante.L'utilizzo di un cavo di alimentazione con i fili del cavo esposti potrebbe causare scosse elettriche o un incendio.
- Non toccare la spina o il cavo di alimentazione se vi è il rischio di fulmini. La mancata osservanza di tale precauzione potrebbe causare scosse elettriche.
- Utilizzare l'unità con la tensione di alimentazione stampata. Il mancato collegamento di una presa CA appropriata potrebbe causare un incendio, scosse elettriche o malfunzionamenti.
- Assicurarsi di utilizzare l'adattatore CA fornito in dotazione. La mancata osservanza di tali precauzioni potrebbe causare incendi, ustioni o malfunzionamenti.

- Controllare periodicamente la spina elettrica ed eventualmente rimuovere la sporcizia o la polvere accumulata. La mancata osservanza di tale precauzione potrebbe causare un incendio o scosse elettriche.
- Durante l'installazione dell'unità, assicurarsi che la presa CA utilizzata sia facilmente accessibile. In caso di problemi o malfunzionamenti, spegnere immediatamente il dispositivo e scollegare la spina dalla presa di corrente CA. Anche quando l'interruttore di alimentazione è spento, a condizione che il cavo di alimentazione non sia staccato dalla presa CA, l'unità non si disconnette dalla sorgente di alimentazione.
- In caso di temporali con presenza di tuoni o fulmini, spegnere immediatamente l'alimentazione e scollegare la spina di alimentazione dalla presa CA. La mancata osservanza di tali precauzioni potrebbe causare malfunzionamenti.
- Se si prevede di non utilizzare l'unità per un periodo di tempo prolungato, scollegare il cavo di alimentazione dalla presa CA. La mancata osservanza di tali precauzioni potrebbe causare malfunzionamenti.

Non disassemblare

- Non disassemblare o modificare questa unità. La mancata osservanza di tale precauzione potrebbe causare scosse elettriche, lesioni o malfunzionamenti. Se si notano delle anomalie, accertarsi di richiedere un'ispezione o una riparazione al concessionario presso il quale è stata acquistata l'unità o a un tecnico autorizzato Yamaha.

Esposizione all'acqua

- Non esporre l'unità alla pioggia, non usarla vicino all'acqua o in ambienti umidi o bagnati, non poggiare su di essa contenitori (ad esempio, tazze, bicchieri o bottiglie) di liquidi che possano riversarsi in una delle aperture, né posizionarla in luoghi soggetti a infiltrazioni. Se un liquido quale l'acqua penetra nell'unità, potrebbe causare un incendio, scosse elettriche o malfunzionamenti. In caso di infiltrazione di liquido all'interno del dispositivo, come ad esempio acqua, spegnere immediatamente lo strumento e scollegare il cavo di alimentazione dalla presa CA. Richiedere quindi un'ispezione al concessionario presso il quale è stata acquistata l'unità o a un tecnico autorizzato Yamaha.
- Non inserire o rimuovere la spina elettrica con le mani bagnate. Non maneggiare l'unità con mani umide. La mancata osservanza di tali precauzioni potrebbe causare scosse elettriche o malfunzionamenti.

Esposizione al fuoco

- Non posizionare oggetti accesi o fiamme vive in prossimità dell'unità per evitare il rischio di incendio.

Unità wireless

- Non usare nelle vicinanze di dispositivi medicali o all'interno di strutture mediche. Le onde radio emesse dall'unità possono interferire con i dispositivi elettromedicali.
- Non usare questa unità a meno di 15 cm da persone dotate di pacemaker cardiaco o defibrillatore. Le onde radio emesse dall'unità possono interferire con dispositivi elettromedicali quali pacemaker o defibrillatore.

Anomalie

- Se si verifica una delle anomalie indicate di seguito, spegnere immediatamente il prodotto e scollegare la spina di alimentazione.
 - Il cavo/la spina di alimentazione è danneggiato.
 - L'unità sprigiona del fumo o un odore insolito.
 - All'interno dell'unità è penetrato del materiale esterno.
 - L'unità presenta crepe o danni.L'uso continuato dell'unità in presenza di tali condizioni potrebbe causare scosse elettriche, un incendio o malfunzionamenti. Richiedere immediatamente un'ispezione o una riparazione al concessionario presso il quale è stata acquistata l'unità o a un tecnico autorizzato Yamaha.

- Prestare attenzione a non lasciar cadere o a far subire un impatto violento all'unità. Qualora si sospetti che l'unità possa avere subito danni a seguito di una caduta o di un colpo, spegnere immediatamente l'alimentazione e scollegare la spina di alimentazione dalla presa CA. La mancata osservanza di tale precauzione potrebbe causare scosse elettriche, incendio o malfunzionamenti. Richiedere immediatamente un'ispezione al concessionario presso il quale è stata acquistata l'unità o a un tecnico autorizzato Yamaha.



ATTENZIONE

Questo contenuto indica “rischio di lesioni”

Alimentazione/Adattatore CA

- Non coprire o avvolgere l'adattatore CA con panni o coperte. La mancata osservanza di questa precauzione potrebbe causare surriscaldamento con conseguente incendio o deformazione del l'involucro dell'unità.
- Non utilizzare prese CA in cui la spina di alimentazione non si blocca saldamente in posizione. La mancata osservanza di tale precauzione potrebbe causare scosse elettriche o bruciature.
- Quando si estrae la spina elettrica dall'unità o da una presa CA, afferrare sempre direttamente la spina e non fare forza sul cavo. Tirando il cavo lo si potrebbe danneggiare e causare scosse elettriche o un incendio.

- Inserire saldamente la spina di alimentazione nella presa CA. Se si utilizza l'unità senza aver fissato saldamente la spina alla presa, della polvere potrebbe depositarsi sulla presa stessa causando un incendio o bruciature.

Installazione

- Non collocare l'unità in posizione instabile, per evitare che cada accidentalmente e che possa causare lesioni.
- Quando si installa l'unità:
 - Non coprire l'unità con un panno.
 - Non installare l'unità su un tappeto o sulla moquette.
 - Accertarsi che la superficie superiore sia rivolta verso l'alto; non installare il dispositivo posizionandolo sui lati, né capovolgendolo.
- Assicurarsi che il lato superiore sia rivolto verso l'alto. La mancata osservanza di questa precauzione può provocare malfunzionamenti o la caduta dell'installazione e conseguenti lesioni personali.
- Non installare l'unità in posizioni in cui potrebbe venire a contatto con gas corrosivi o salsedine o ambienti saturi di fumo o vapore. La mancata osservanza di tale precauzione potrebbe causare un malfunzionamento.
- Evitare di trovarsi nelle vicinanze del dispositivo in caso di calamità, ad esempio terremoti. Poiché l'unità potrebbe rovesciarsi o cadere e provocare lesioni, allontanarsi rapidamente dal dispositivo e ripararsi in un luogo sicuro.
- Prima di spostare l'unità, accertarsi di spegnere l'alimentazione e scollegare tutti i cavi di collegamento. La mancata osservanza di questa precauzione potrebbe danneggiare i cavi o causare la caduta dell'utente o di altre persone.

Danni all'udito

- Prima di collegare l'unità ad altre apparecchiature, spegnere tutti i dispositivi interessati. La mancata osservanza di queste precauzioni potrebbe provocare scosse elettriche, danni all'udito o alle apparecchiature.
- Quando si accende il sistema audio, accendere sempre l'amplificatore o il ricevitore PER ULTIMO, per evitare danni all'udito e ai diffusori. Analogamente, quando si spegne il sistema audio, l'amplificatore o il ricevitore deve essere spento PER PRIMO. La mancata osservanza di tali precauzioni potrebbe causare lesioni all'udito o danni ai diffusori.

Manutenzione

- Prima di pulire l'unità, rimuovere la spina elettrica dalla presa CA. La mancata osservanza di tale precauzione potrebbe causare scosse elettriche.

Precauzioni di utilizzo

- Tenere le parti di piccole dimensioni lontano dalla portata dei bambini per evitare che le ingoino accidentalmente.
- Non eseguire le operazioni riportate di seguito:
 - Mettersi in piedi o seduti sul dispositivo.
 - Poggiare oggetti pesanti sul dispositivo.
 - Impilare il dispositivo.
 - Premere pulsanti, interruttori, terminali I/O e così via con forza eccessiva.
 - Appoggiarsi sul dispositivo.
- Evitare di tirare i cavi collegati per evitare lesioni personali o danni all'unità conseguenti a un'eventuale caduta.

Attenzione

Indica punti da osservare per evitare il guasto del prodotto, danni o malfunzionamento e perdita di dati.

Alimentazione/Adattatore CA

- Se si prevede di non utilizzare l'unità per un periodo di tempo prolungato, scollegare il cavo di alimentazione dalla presa. Un flusso minimo di corrente continua a giungere all'unità anche se è stata spenta (l'alimentazione è in standby).

Installazione

- Non utilizzare l'unità in prossimità di altre apparecchiature elettroniche, quali apparecchi TV, radio o telefoni cellulari. Se questa precauzione non viene osservata, l'unità, il televisore o la radio potrebbero produrre rumore.
- Non utilizzare l'unità in luoghi esposti alla luce diretta del sole, a temperature troppo basse o troppo alte (ad es. in prossimità di un termosifone), oppure esposti a polvere o a vibrazioni. La mancata osservanza di questa precauzione può causare la deformazione del pannello dell'unità, il malfunzionamento dei componenti interni o rendere instabile il funzionamento.
- Se si utilizza una funzione wireless, evitare di installare l'unità in prossimità di scrivanie o pareti metalliche, forni a microonde o altri dispositivi di rete wireless. Eventuali ostacoli potrebbero ridurre la distanza di trasmissione.

Collegamenti

- Se si collegano unità esterne, accertarsi di leggere a fondo il manuale di ciascuna unità e di collegarle seguendo le istruzioni.

La mancata osservanza delle istruzioni potrebbe causare malfunzionamenti dell'unità.

Manipolazione

- Non collocare oggetti in plastica o gomma sull'unità. La mancata osservanza di questa precauzione potrebbe causare lo scolorimento o deformazione del pannello dell'unità.
- Se la temperatura ambiente cambia drasticamente (ad esempio durante il trasporto dell'unità o in caso di riscaldamento o raffreddamento improvviso) e vi è il rischio che si sia formata della condensa nell'unità, non utilizzare l'unità né accendere l'alimentazione finché non è completamente asciutta. L'uso dell'unità al cui interno è presente della condensa può causare malfunzionamenti.

Manutenzione

- Se la temperatura o l'umidità cambiano drasticamente, vi è la possibilità che si formino delle goccioline d'acqua (condensa) sulla superficie dell'unità. In questo caso, rimuovere immediatamente le goccioline con un panno morbido. In caso contrario, le goccioline potrebbero venire assorbite dalle parti in legno causando deformazioni.
- Pulire l'unità con un panno morbido e asciutto. L'utilizzo di agenti chimici quali benzina o un solvente, prodotti per la pulizia o panni trattati chimicamente potrebbero causare scolorimento o deformazione.

Informazioni

Informazioni sul contenuto di questo manuale

- Le illustrazioni e le schermate in questo manuale vengono fornite esclusivamente a scopo descrittivo.
- Le denominazioni sociali e i nomi dei prodotti riportati nel manuale sono marchi o marchi registrati delle rispettive società.
- Il software può essere modificato e aggiornato senza preavviso.

■ Targhetta con i dati nominali dell'unità

Il numero di modello e quello di serie, i requisiti di alimentazione e altre informazioni del prodotto si trovano sulla piastrina o vicino alla stessa. La piastrina del prodotto si trova nella parte inferiore dell'unità. Annotare il numero di serie nello spazio indicato di seguito e conservare il manuale come documento di comprovazione dell'acquisto; in tal modo, in caso di furto, l'identificazione sarà più semplice.

Numero del modello

Numero di serie

(bottom_it_01)

[Modello per l'Europa]

Funzioni di comunicazione wireless

Bluetooth

Frequenza radio (Frequenza operativa): Da 2402 MHz a 2480 MHz
Potenza massima di uscita (EIRP): 7,27 dBm

Wi-Fi (2,4 GHz)

Frequenza radio: Da 2402 MHz a 2482 MHz
Potenza massima di uscita (EIRP): 19,98 dBm

Wi-Fi (5 GHz)

Frequenza radio, Potenza massima di uscita (EIRP):
Da 5170 a 5250 MHz, 22,03 dBm
Da 5250 a 5330 MHz, 22,27 dBm
Da 5490 a 5710 MHz, 24,56 dBm
Da 5735 a 5835 MHz, 13,96 dBm

- I dispositivi wireless che trasmettono su una banda di frequenza a 5 GHz possono essere utilizzati solo in ambienti chiusi. L'uso di tali dispositivi all'esterno è proibito dalla legge.

Informazioni per gli utenti sulla raccolta e lo smaltimento di vecchia attrezzatura e batterie usate



Questi simboli sui prodotti, sull'imballaggio e/o sui documenti che li accompagnano, indicano che i prodotti elettrici ed elettronici e le batterie non devono essere mischiati con i rifiuti generici.



Per il trattamento, il recupero e il riciclaggio appropriato di vecchi prodotti e batterie usate, si prega di portarli ai punti di raccolta designati, in accordo con la legislazione locale.

Smaltendo correttamente questi prodotti e batterie si potranno recuperare risorse preziose, oltre a prevenire potenziali effetti negativi sulla salute e l'ambiente che potrebbero sorgere a causa del trattamento improprio dei rifiuti.

Per ulteriori informazioni sulla raccolta e il riciclaggio di vecchi prodotti e batterie, si prega di contattare l'amministrazione comunale locale, il servizio di smaltimento dei rifiuti o il punto vendita dove sono stati acquistati gli articoli.



Per utenti imprenditori dell'Unione europea:

Se si desidera scartare attrezzatura elettrica ed elettronica, si prega di contattare il proprio rivenditore o il proprio fornitore per ulteriori informazioni.



Informazioni sullo smaltimento negli altri Paesi al di fuori dell'Unione europea:

Questi simboli sono validi solamente nell'Unione Europea; se si desidera scartare questi articoli, si prega di contattare le autorità locali o il rivenditore e richiedere informazioni sulla corretta modalità di smaltimento.

Cd

Note per il simbolo della batteria (in basso due esempi del simbolo):

È possibile che questo simbolo sia usato in combinazione con un simbolo chimico. Questo caso è conforme al requisito stabilito dalle Direttive UE sulle batterie relative agli elementi chimici contenuti.

(weee_battery_eu_it_02)



Indice

Prima di cominciare **8**

Operazioni eseguibili con questa unità	8
Informazioni sul presente manuale	9
Maneggiare i dischi	9
Verificare gli accessori forniti	9
Parti e relative funzioni	10
Pannello superiore	10
Pannello posteriore	12

Preparazione **13**

Ubicazione	13
Assemblaggio	13
Assemblaggio dell'unità	13
Collegamento del coperchio antipolvere	15
Effettuare i collegamenti	16
Collegamento a un amplificatore	16
Collegamento del cavo di rete	17
Effettuare regolazioni	18
Regolazione della pressione della puntina	18
Regolazione di antipattinamento	20
Accensione dell'alimentazione	20
Le modalità standby dell'unità	20
Collegamento dell'unità alla rete	21

Riproduzione 23

Ascolto di un disco	23
Ascolto della radio su Internet	26
Ascolto di servizi di streaming	26
Riproduzione di brani musicali memorizzati su un server multimediale (PC/NAS)	27
Impostazione della condivisione multimediale	27
Riproduzione di file musicali	27
Ascolto di musica via Bluetooth	28
Ascolto di musica via AirPlay	29
Utilizzo di MusicCast CONTROLLER per registrare preferiti	29

Impostazioni dettagliate 30

Configurazione delle impostazioni via MusicCast CONTROLLER	30
Impostazione del timer di sospensione	30
Abilitare/disabilitare la riproduzione automatica.	30
Abilitare/disabilitare lo standby automatico	30
Configurare le impostazioni via browser web	31
Accesso alla schermata delle impostazioni	31

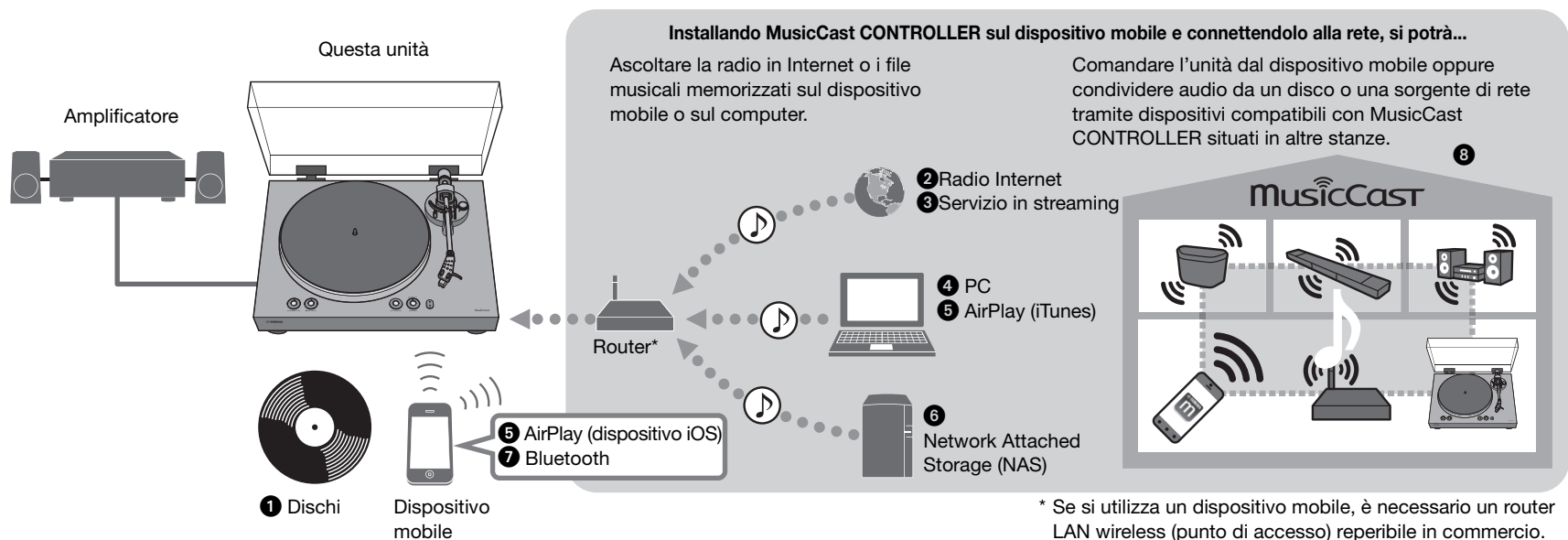
In caso di necessità 32

Aggiornamento del firmware	32
Inizializzazione delle impostazioni.	33
Connessione alla rete mediante la funzione WAC. . .	33
Cura.	34
Sostituzione	34
Sostituzione della cinghia	34
Sostituzione della puntina	35
Trasporto dell'unità	35
Risoluzione dei problemi	36
Bluetooth	38
Rete	39
Dispositivi e formati di file supportati	41
Dispositivi supportati	41
Formati di file	41
Marchi di fabbrica	42
Dati tecnici	43

Prima di cominciare

Operazioni eseguibili con questa unità

Questa unità è un giradischi di rete che supporta la riproduzione di sorgenti di rete quali server multimediali o dispositivi mobili, oltre alla riproduzione di dischi.



1 Riproduzione di dischi (⇒ pagina 23)

2 Ascolto della radio su Internet (⇒ pagina 26)

3 Ascolto di servizio di streaming (⇒ pagina 26)

4 Riproduzione di file musicali archiviati sul PC (⇒ pagina 27)

5 Riproduzione di file musicali con AirPlay (⇒ pagina 29)

6 Riproduzione di file musicali archiviati su un dispositivo NAS (Network Attached Storage) (⇒ pagina 27)

7 Riproduzione di contenuto audio da dispositivi Bluetooth (⇒ pagina 28)

8 Riproduzione di musica mediante MusicCast CONTROLLER (⇒ pagina 21)

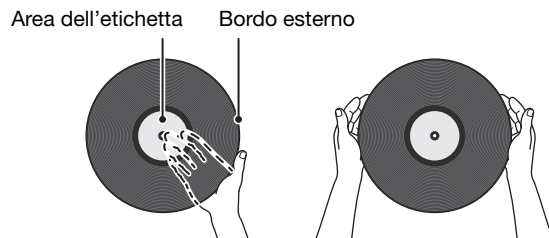
Informazioni sul presente manuale

Tenere conto di quanto segue durante la lettura del manuale.

- ♦ A causa dei miglioramenti al prodotto, le specifiche e l'aspetto sono soggetti a modifica senza preavviso.
- ♦ Nel presente manuale, il termine "dispositivo iOS" indica collettivamente iPhone, iPad e iPod touch.
- ♦ Il presente manuale utilizza come esempi le schermate MusicCast CONTROLLER in inglese su iPhone.
- ♦ Spiegazione dei simboli grafici utilizzati nel manuale:
 - "⚠ **AVVERTENZA**" indica punti da osservare per evitare rischi letali o infortuni gravi.
 - "⚠ **ATTENZIONE**" indica punti da osservare per evitare il rischio di infortuni.
 - **AVVISO** Indica punti da osservare per evitare danni o malfunzionamenti al prodotto.
 - **NOTA** indica ulteriori informazioni utili.

Maneggiare i dischi

Quando si tiene in mano un disco, farlo tenendo l'area dell'etichetta e il bordo esterno oppure tenendo tra due mani i bordi esterni del disco.



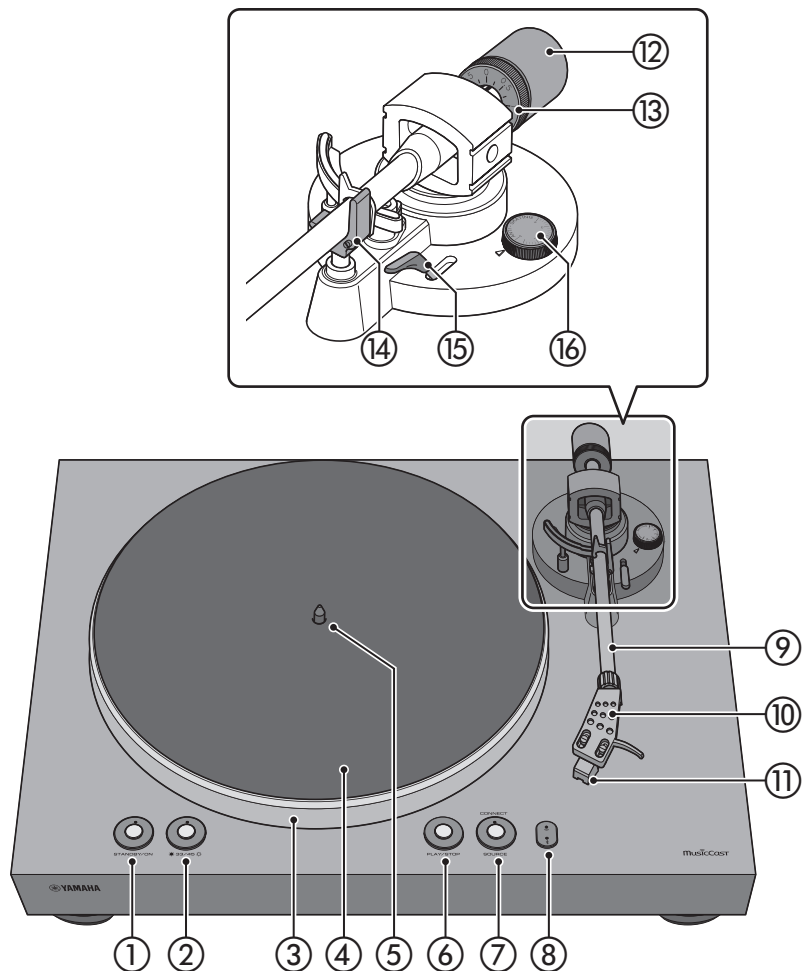
Verificare gli accessori forniti

Assicurarsi che siano presenti tutte le voci.

<input type="checkbox"/> Piatto x1 	<input type="checkbox"/> Tappetino del piatto x1 	<input type="checkbox"/> Cinghia x1 * La cinghia è installata sul piatto.
<input type="checkbox"/> Contrappeso x1 	<input type="checkbox"/> Portatestina x1 (con puntina) 	<input type="checkbox"/> Adattatore 45 giri x1 
<input type="checkbox"/> Coperchio antipolvere x1 	<input type="checkbox"/> Cardine coperchio antipolvere x2 	<input type="checkbox"/> Cavo stereo RCA x1 
<input type="checkbox"/> Adattatore CA x1 * Per maggiori dettagli, consultare il "Supplemento" incluso (foglietto).	<input type="checkbox"/> Manuale di istruzioni (il presente manuale) <input type="checkbox"/> Supplemento (foglietto)	

Parti e relative funzioni

Pannello superiore



① STANDBY/ON (alimentazione)

Commuta lo stato dell'alimentazione dell'unità da acceso a standby (spento) e viceversa. (⇒ pagina 20)

Indicatore STANDBY/ON (alimentazione)

Indica lo stato dell'alimentazione dell'unità.

Acceso: unità accesa

Luce tenue: l'alimentazione è nello stato di standby di rete (⇒ pagina 20)

Spento: l'alimentazione è nello stato di standby eco (⇒ pagina 20)

② velocità 33/45 (⇒ pagina 24)

Indicatore della velocità (⇒ pagina 24)

③ Piatto (⇒ pagina 13)

④ Tappetino del piatto (⇒ pagina 14)

⑤ Perno di centraggio (⇒ pagina 13)

⑥ PLAY/STOP (riproduci/arresta) (⇒ pagina 24)

Fa ruotare o fermare il piatto.

NOTA

- ◆ In caso di sorgente (sorgente audio) di rete o Bluetooth, riproduce o arresta la sorgente di rete.

⑦ SOURCE

Seleziona la sorgente (sorgente audio) per l'unità. A ciascuna pressione, la sorgente passa alternativamente tra PHONO, rete e Bluetooth.

NOTA

- ◆ È possibile modificare la sorgente se il selettore dell'uscita audio del pannello posteriore dell'unità è impostato su LINE OUT.

Indicatore SOURCE

Il colore dell'indicatore cambia a seconda della sorgente.

Sorgente	Colore indicatore
PHONO	Bianco
rete (AirPlay)	Rosa
rete (non AirPlay)	Verde
Bluetooth	Blu

NOTA

- ◆ In caso di nuovo firmware disponibile, l'indicatore lampeggia in arancione. (⇒ pagina 32)

CONNECT

Premere questo pulsante quando si utilizza MusicCast CONTROLLER per configurare le impostazioni della connessione di rete. (⇒ pagina 21)

⑧  Indicatore (LAN wireless)

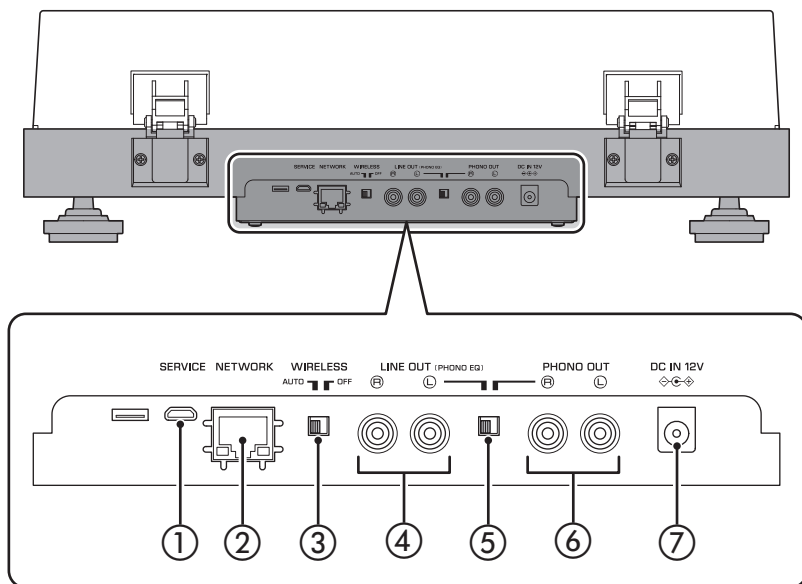
Si illumina quando l'unità si connette in wireless. (⇒ pagina 21)

 Indicatore Bluetooth

Si accende quando l'unità si connette a un dispositivo Bluetooth. (⇒ pagina 28)

⑨ Braccio (⇒ pagina 14)**⑩ Portatestina (⇒ pagina 14)****⑪ Testina****⑫ Contrappeso (⇒ pagina 19)****⑬ Anello contrappeso (⇒ pagina 19)****⑭ Poggiabraccio (⇒ pagina 18)****⑮ Leva di sollevamento (⇒ pagina 24)****⑯ Antipattinamento (⇒ pagina 20)**

Pannello posteriore



① Presa SERVICE

Questa presa è solo per l'assistenza. Non viene normalmente utilizzata.

② Presa NETWORK

Utilizzare un cavo LAN (disponibile in commercio) per connettere la presa alla propria rete.

③ Interruttore WIRELESS

Abilita/disabilita la funzionalità wireless dell'unità (compreso il Bluetooth).

AUTO (impostazione predefinita): La funzionalità wireless è abilitata.

OFF: La funzionalità wireless è disabilitata.

④ Prese LINE OUT

Trasmettono l'audio riprodotto dal disco o dalla sorgente di rete. (⇒ pagina 16)

⑤ Selettore dell'uscita audio

Commuta l'uscita audio. (⇒ pagina 16)

LINE OUT (impostazione predefinita): Il segnale proveniente dalla testina è amplificato dall'equalizzatore fonografico incorporato nell'unità ed è trasmesso dalle prese LINE OUT.

PHONO OUT: Il segnale proveniente dalla testina è trasmesso direttamente dalle prese PHONO OUT.

⑥ Prese PHONO OUT

Queste prese trasmettono l'audio riprodotto del disco. (⇒ pagina 17)

⑦ Presa DC IN

Collegare a questa presa l'adattatore CA (incluso). (⇒ pagina 16)

Preparazione

Ubicazione

Poiché la riproduzione dei dischi risente molto delle vibrazioni, l'unità andrebbe collocata su una superficie piatta e non soggetta a vibrazioni esterne. Posizionarla a sufficiente distanza dall'impianto di diffusione in modo da non venire influenzata da pressione acustica o vibrazioni.

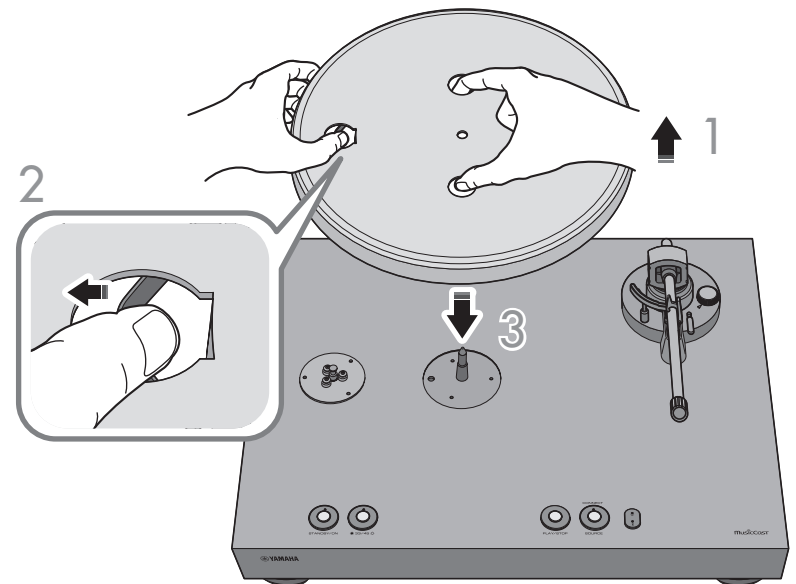
Assemblaggio

Assemblaggio dell'unità

- 1 Sollevare il piatto.
- 2 Raggiungere la cinghia attraverso il foro nel piatto, estrarre la cinghia e agganciarla al dito.
- 3 Inserire il piatto sul perno di centraggio.

ATTENZIONE

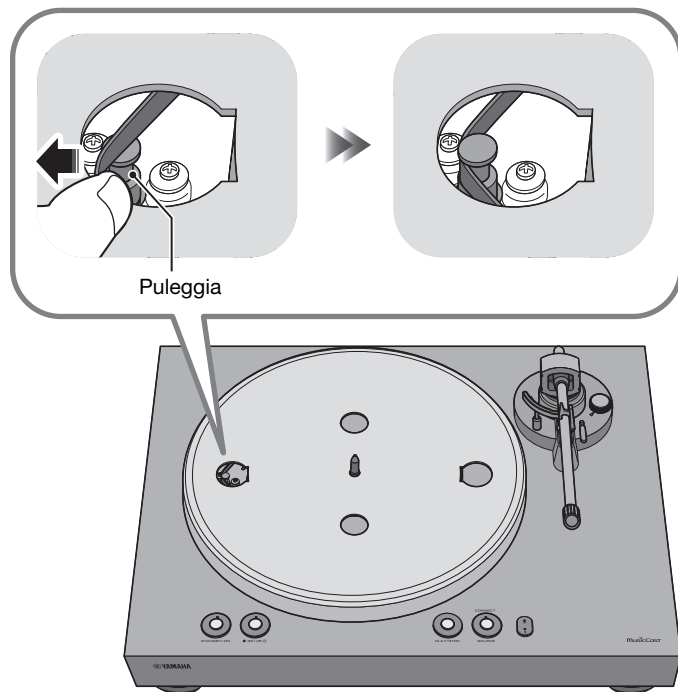
- ◆ Fare attenzione a non far cadere il piatto. La caduta del piatto può provocare infortuni o danneggiare l'unità.



4 Allineare il foro rotondo del piatto con la puleggia.

5 Utilizzare il dito per agganciare la cinghia alla puleggia.

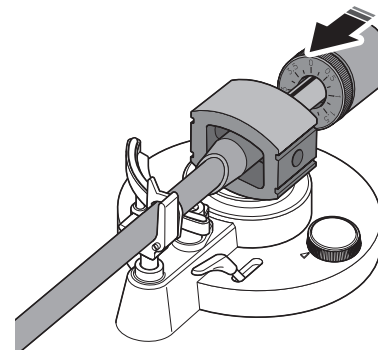
Fare attenzione a non intrecciare la cinghia. Agganciata la cinghia alla puleggia, ruotare il piatto diverse volte assicurandosi che la cinghia sia perfettamente al suo posto.



6 Collocare il tappetino sul piatto.

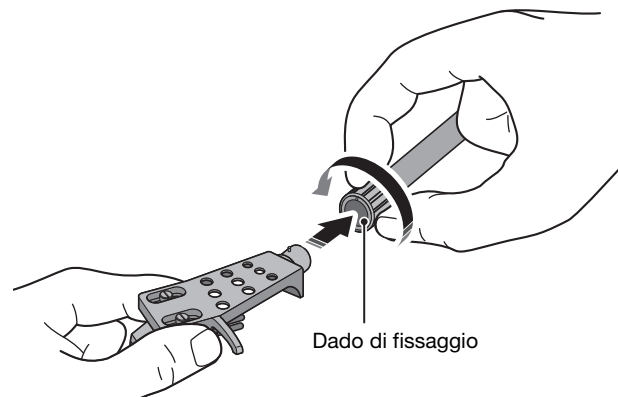
7 Fissare il contrappeso al braccio.

Con le indicazioni sul contrappeso rivolte verso di sé, farlo scivolare nell'estremità posteriore del braccio.



8 Fissare il portatestina al braccio.

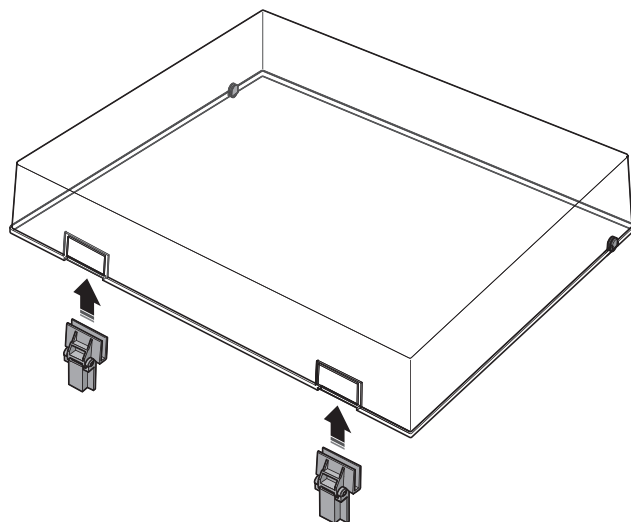
Inserire il portatestina nell'estremità anteriore del braccio e girare il dado di fissaggio per assicurarla in posizione.



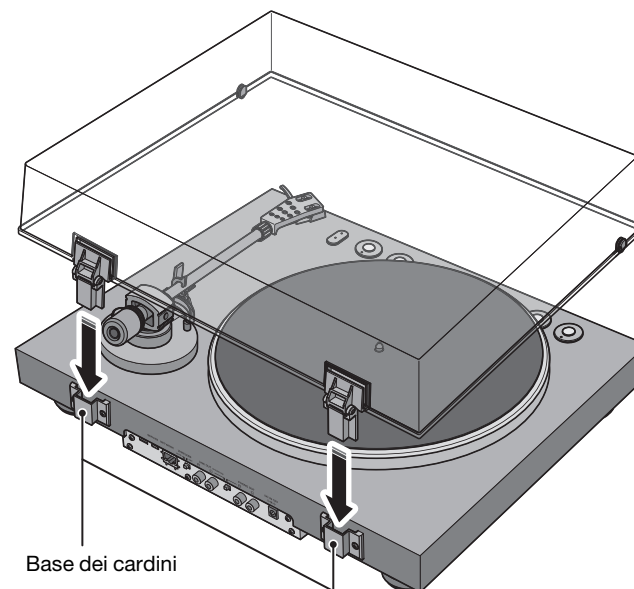
Collegamento del coperchio antipolvere

Il coperchio antipolvere protegge l'unità da polvere ecc.

- 1 Inserire i cardini nelle apposite posizione sui due lati del coperchio antipolvere.



- 2 Collegare il coperchio antipolvere inserendo i cardini nelle apposite basi sul pannello posteriore dell'unità.



NOTA

- ◆ Per rimuovere il coperchio antipolvere, afferrare i due lati del coperchio e sollevare lentamente per rimuovere il coperchio insieme ai cardini.



ATTENZIONE

- ◆ Fare attenzione a non pizzicarsi le mani o le dita aprendo o chiudendo il coperchio antipolvere.

Effettuare i collegamenti

Collegamento a un amplificatore

Effettuare i collegamenti come illustrato di seguito.

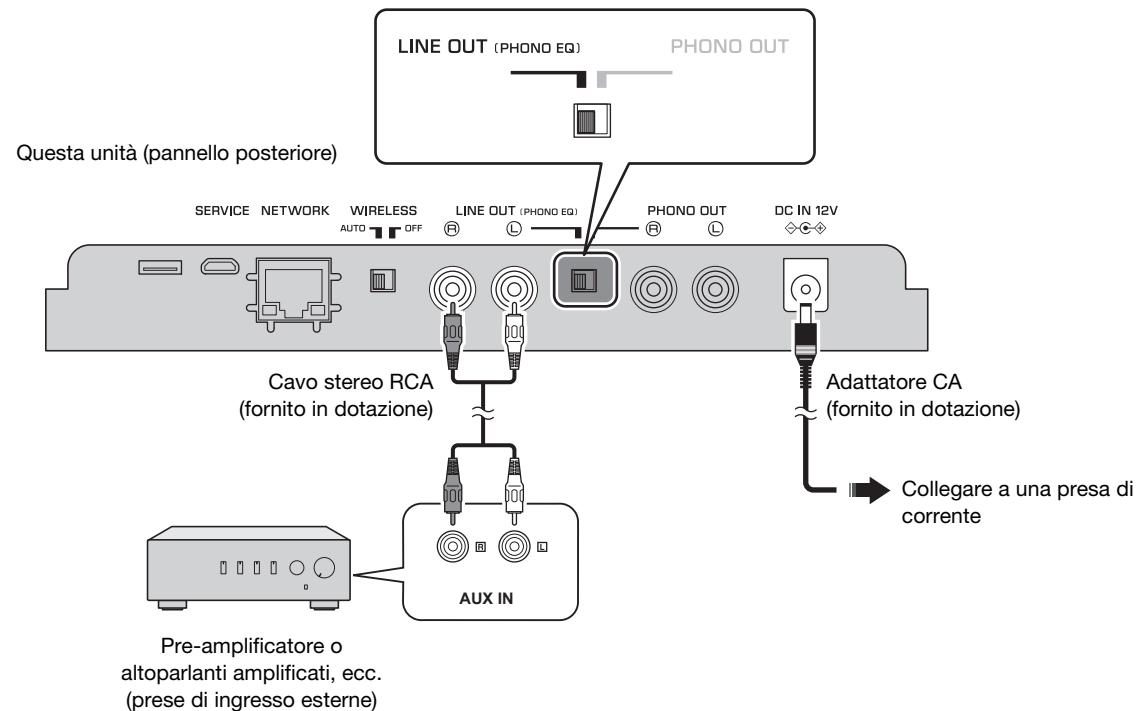
■ Se si utilizzano le prese LINE OUT dell'unità

Sorgenti riproducibili: dischi, tutte le sorgenti di rete inclusa la radio su Internet, Bluetooth



ATTENZIONE

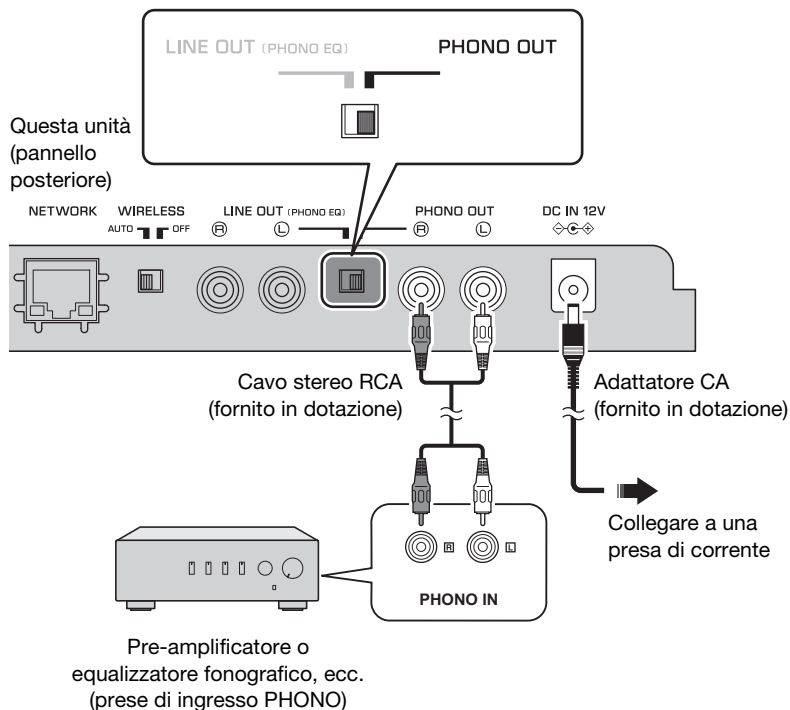
- ◆ Non collegare i cavi di alimentazione dell'unità e di tutti gli altri dispositivi collegati alle prese di corrente prima di aver completato tutti i collegamenti e selezionata l'uscita audio.



■ Se si utilizzano le prese PHONO OUT dell'unità

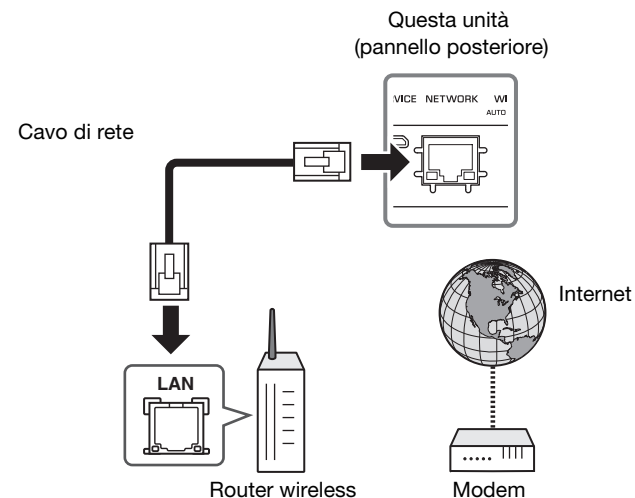
Sorgenti riproducibili: Dischi

Non è possibile utilizzare la funzionalità di rete dell'unità.



Collegamento del cavo di rete

Per utilizzare una rete cablata, collegare l'unità al router con un cavo schermato di rete STP disponibile in commercio (cavo diritto CAT-5 o superiore). Per connettersi alla rete senza fili, procedere alla sezione "Collegamento dell'unità alla rete" (⇒ pagina 21).



NOTA

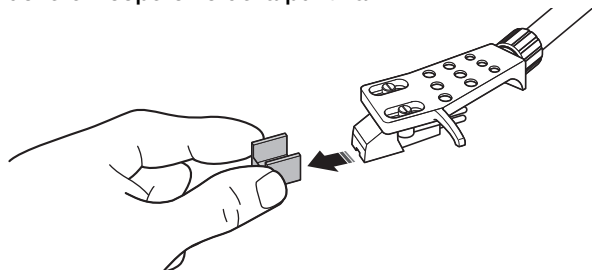
- ◆ Collegare il cavo di rete prima di accendere l'alimentazione dell'unità.
- ◆ È possibile connettersi alla rete tramite connessione cablata indipendentemente che il selettore WIRELESS situato sul pannello posteriore dell'unità sia impostato su AUTO oppure su OFF. (⇒ pagina 12)
- ◆ Se l'unità è già connessa in wireless alla rete, mettere l'unità in modalità standby, connettere il cavo di rete, posizionare il selettore WIRELESS sul pannello posteriore su OFF, quindi accendere l'alimentazione. (⇒ pagina 12)

Effettuare regolazioni

Regolazione della pressione della puntina

Regolare il braccio in modo da applicare la corretta pressione della puntina al disco.

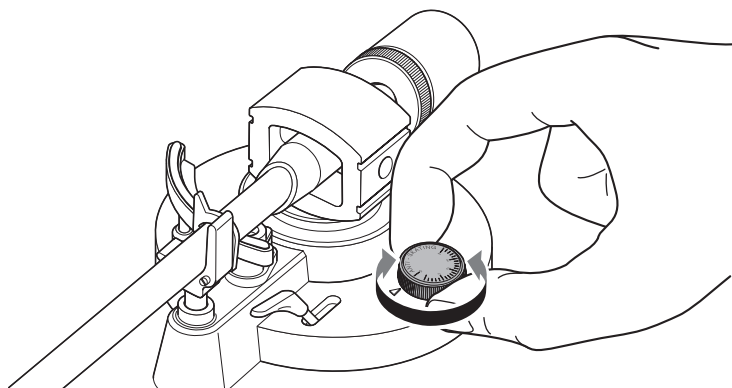
1 Rimuovere il coperchio della puntina.



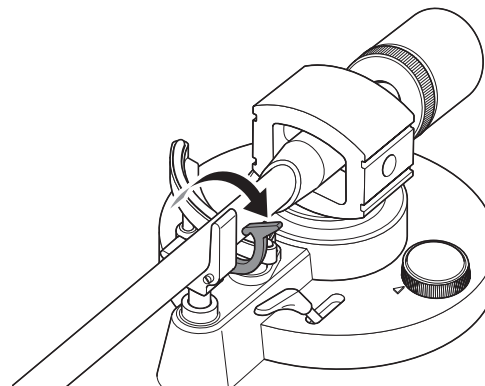
AVVISO

- ◆ Fare attenzione a che il coperchio della puntina o il dito non entrino in contatto con la puntina.

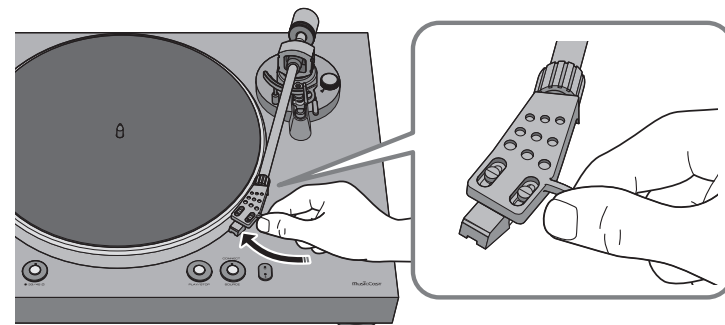
2 Impostare la regolazione di antipattinamento in posizione "0".



3 Sbloccare il braccio.



4 Sollevare il braccio dal poggiabraccio e spostarlo leggermente a sinistra.



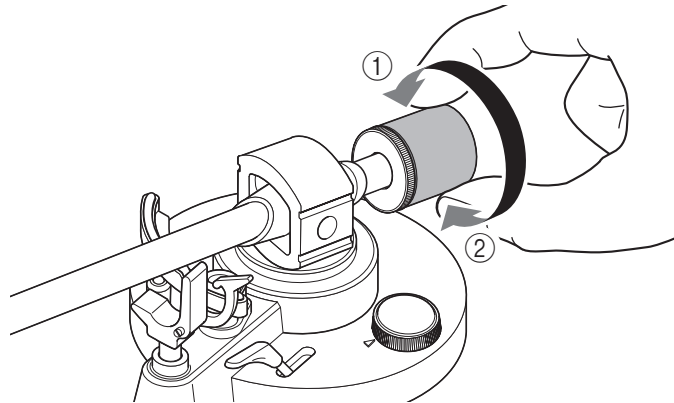
AVVISO

- ◆ facendo attenzione a che l'ago non tocchi alcuna parte dell'unità.

5 Girare il contrappeso in modo che il braccio sia orizzontale.

Verso ①: il contrappeso si muove in avanti sul braccio.

Verso ②: il contrappeso si muove indietro sul braccio.



Corretto



Il braccio è orizzontale
(bilanciato)

Incorretto



Il contrappeso è troppo in
avanti

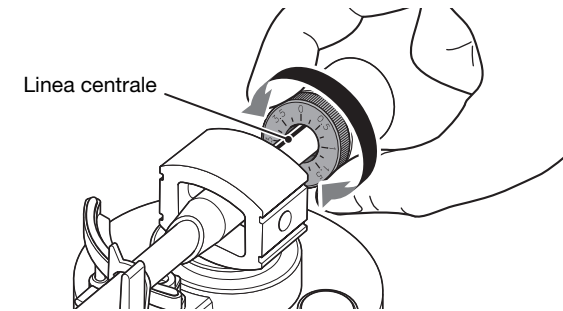
Incorretto



Il contrappeso è troppo
indietro

6 Riposizionare il braccio sul poggiabraccio e fissarlo in posizione.

7 Girare l'anello del contrappeso in modo che l'indicazione "0" sia allineata con la linea centrale dell'estremità posteriore del braccio.

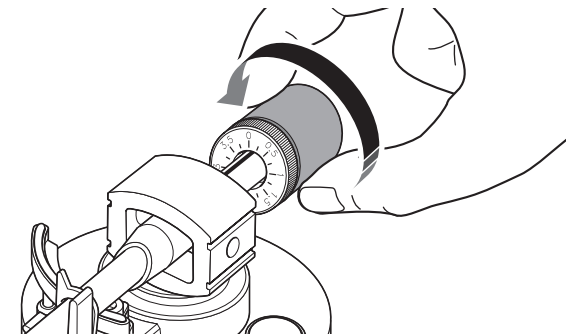


NOTA

- ◆ Girando l'anello del contrappeso, utilizzare le dita per premere il contrappeso in modo che non ruoti.

8 Girando il contrappeso, impostare le indicazioni sulla pressione della puntina specificate per la testina.

La pressione della puntina specificata per la testina fornita in dotazione è di 3,5 g.



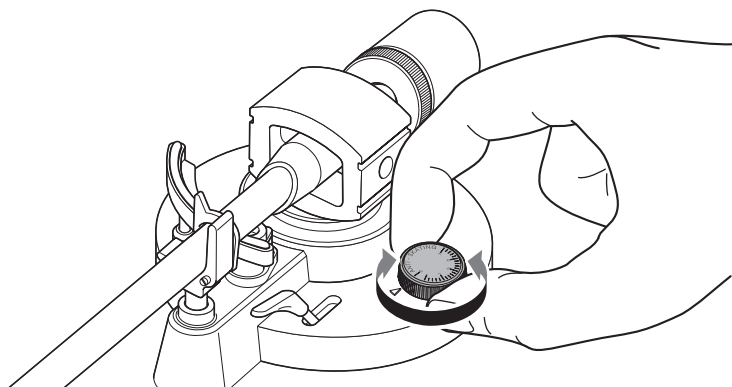
NOTA

- ◆ Girando il contrappeso, si gira anche il relativo anello.

Regolazione di antipattinamento

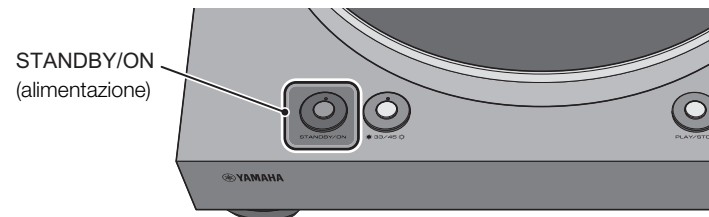
Mentre il piatto gira, l'ago della puntina genera una forza che lo spinge verso il centro di rotazione. Se il valore di antipattinamento è impostato sullo stesso valore della pressione della puntina, viene generata una forza che spinge l'ago della puntina verso l'esterno, lontano dal centro di rotazione e le due forze si annullano a vicenda.

- 1 Impostare l'antipattinamento sullo stesso valore della pressione della puntina indicato sulla testina.



Accensione dell'alimentazione

Sul pannello superiore dell'unità, premere STANDBY/ON (alimentazione) per accendere l'alimentazione dell'unità. Premere nuovamente STANDBY/ON (alimentazione) per mettere l'unità in modalità standby.



NOTA

- ◆ Alla prima accensione dopo l'acquisto dell'unità o la sua inizializzazione, l'indicatore (LAN wireless) potrebbe lampeggiare. Se lo fa, è possibile connettersi alla rete wireless condividendo le impostazioni di rete di un dispositivo iOS. (⇒ pagina 33)
Per poter ascoltare musica da una serie di sorgenti di rete, utilizzare MusicCast CONTROLLER per connettersi alla propria rete. (⇒ pagina 21)

Le modalità standby dell'unità

L'unità dispone di due tipi di modalità di standby.

Standby di rete: È possibile accendere l'alimentazione dell'unità da un dispositivo di rete. (solo se il selettore dell'uscita audio è impostato su LINE OUT)

Standby eco: Questa modalità riduce il consumo energetico in standby.

NOTA

- ◆ Per passare in modalità standby eco, è possibile utilizzare un browser web e modificare le impostazioni di standby. (⇒ pagina 31)
- ◆ Per passare momentaneamente in modalità standby eco, tenere premuto per cinque secondi STANDBY/ON (alimentazione) mentre l'unità è accesa. (solo se il selettore dell'uscita audio è impostato su LINE OUT)

Collegamento dell'unità alla rete

Questa sezione spiega come registrare l'unità con MusicCast e impostare l'unità per la connessione di rete.

Anche nel caso in cui l'unità sia connessa in rete via cavo, è necessaria la registrazione MusicCast per poter riprodurre sorgenti di rete.

NOTA

- ◆ Per riprodurre via rete sorgenti audio ad alta risoluzione, si consiglia una connessione via cavo in quanto garantisce una riproduzione più stabile. (⇒ pagina 17)
- ◆ Il dispositivo mobile deve essere già connesso al router LAN wireless (punto d'accesso).

1 Installare MusicCast CONTROLLER sul dispositivo mobile.

Cercare MusicCast CONTROLLER (gratuita) su App Store o Google Play e installarla sul dispositivo mobile.

Per maggiori informazioni su MusicCast CONTROLLER, visitare il seguente sito web.

<https://www.yamaha.com/musiccast/>



MusicCast CONTROLLER è un'app per comandare dispositivi che supportano MusicCast. Consente di condividere musica tra più dispositivi compatibili MusicCast situati in diverse stanze. È possibile utilizzare lo smartphone o un altro dispositivo mobile come se fosse un telecomando, per selezionare facilmente brani ed effettuare impostazioni sul dispositivo compatibile MusicCast.

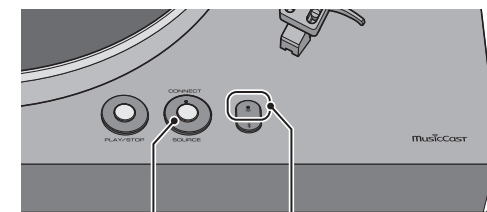
2 Avviare l'app MusicCast CONTROLLER sul dispositivo mobile, quindi toccare "Configurazione".




Toccare qui.

3 Utilizzare MusicCast CONTROLLER seguendo le istruzioni sullo schermo del dispositivo mobile, quindi tenere premuto CONNECT sul pannello superiore dell'unità per 5 secondi.


L'indicatore  (LAN wireless) lampeggia.



CONNECT

 Indicatore (LAN wireless)


4 Per utilizzare MusicCast CONTROLLER per effettuare le impostazioni di rete, seguire le istruzioni sullo schermo del dispositivo mobile.

Quando l'unità si connette in rete, l'indicatore  (LAN wireless) è acceso.

Ora l'unità è registrata con MusicCast e le impostazioni di rete sono completate.

Utilizzare MusicCast CONTROLLER per riprodurre la musica.

NOTA

- ◆ Per impostare ulteriori dispositivi compatibili con MusicCast, toccare l'icona  (Impostazioni) nell'angolo superiore destro della schermata MusicCast CONTROLLER, quindi selezionare "Aggiungi nuovo dispositivo".



Toccare qui per avviare le impostazioni.

Riproduzione

Ascolto di un disco

Ecco come riprodurre un disco.

■ Avvio della riproduzione

⚠ ATTENZIONE

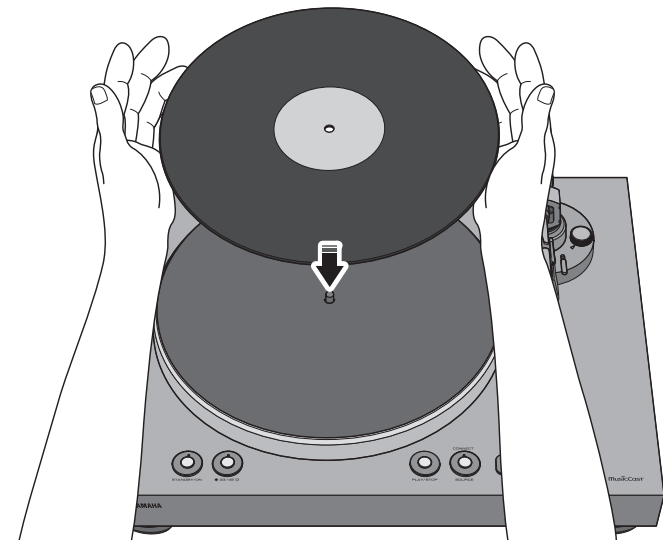
- ◆ Se si riproduce un disco senza abbassare sufficientemente il volume dell'amplificatore, il suono potrebbe essere troppo forte quando la puntina entra in contatto con il disco. Ciò può causare la perdita dell'udito e danni all'amplificatore e agli altoparlanti. Assicurarsi quindi di abbassare il volume dell'amplificatore.
- ◆ Se si riproduce un disco e l'audio viene emesso dalle prese LINE OUT, il piatto si fermerà quando si commuta la sorgente da PHONO a rete o Bluetooth.

NOTA

- ◆ MusicCast CONTROLLER non può avviare/fermare la riproduzione del disco o cambiarne la velocità.

1 Aprire il coperchio antipolvere e posizionare il disco sul piatto.

Se si vuole riprodurre un disco a 45 giri, utilizzare l'adattatore per 45 giri fornito in dotazione.



2 Premere 33/45 (velocità) per selezionare la velocità corretta per il disco.

La velocità cambia a ciascuna pressione di 33/45 (velocità).

Indicatore della velocità acceso: 33/1/3 giri/minuto

Indicatore della velocità spento: 45 giri/minuto

3 Premere SOURCE per impostare la sorgente su PHONO.

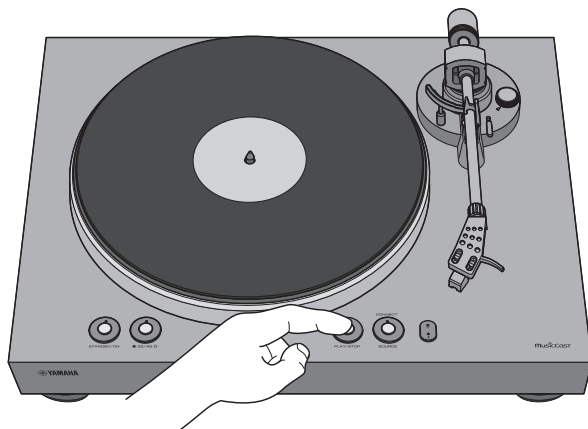
L'indicatore SOURCE si illumina in bianco.

NOTA

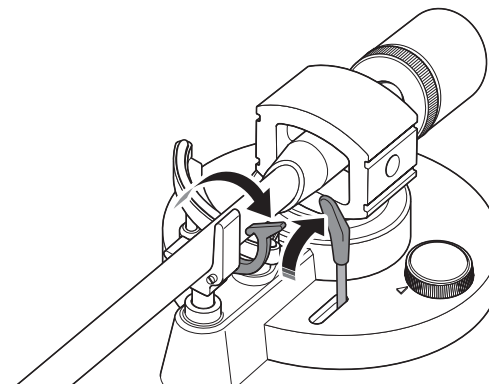
- ◆ Se il selettore dell'uscita audio è impostato su PHONO OUT, non serve cambiare la sorgente.

4 Premere PLAY/STOP (riproduci/arresta).

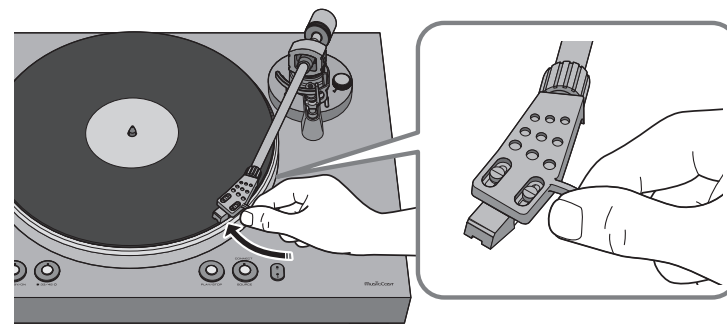
Il piatto ruota.



5 Sbloccare il braccio e sollevare la leva.

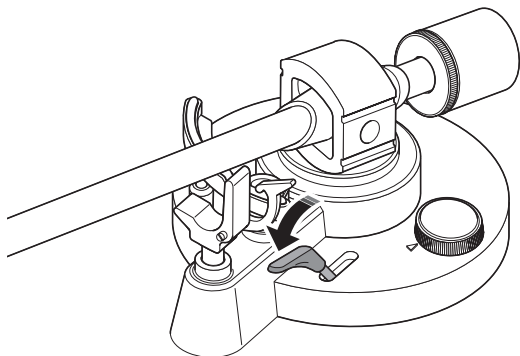


6 Spostare il braccio in posizione di riproduzione del disco.



7 Abbassare la leva.

Il braccio viene abbassato e inizia la riproduzione.



■ Messa in pausa della riproduzione

Se si solleva la leva, il braccio si alza e la riproduzione viene sospesa.

Quando si abbassa la leva, la riproduzione riprende.

■ Arresto della riproduzione

- 1 Sollevare la leva.
- 2 Riposizionare il braccio sul poggiabraccio.
- 3 Abbassare la leva.
- 4 Premere PLAY/STOP (riproduci/arresta).
Il piatto smette di ruotare.
- 5 Bloccare il braccio.

NOTA

- ◆ Il braccio non si solleva automaticamente quando termina la riproduzione del disco.
- ◆ Se si prevede di non utilizzare l'unità per diverso tempo, riposizionare il coperchio sulla puntina per proteggerla.

Ascolto della radio su Internet

Ecco come selezionare una stazione radio Internet utilizzando MusicCast CONTROLLER installata sul dispositivo mobile.

NOTA

- ◆ Prima di selezionare una stazione, registrare l'unità con MusicCast. (⇒ pagina 21)
- ◆ Alcune stazioni Internet potrebbero non essere sempre disponibili a tutte le ore.
- ◆ Questa funzione utilizza il servizio "airable.Radio". Questo servizio è fornito da Tune In GmbH.
- ◆ Questo servizio può essere modificato senza preavviso.

- 1 Utilizzare MusicCast CONTROLLER per selezionare la stanza in cui è situata l'unità (p.es. Room 1).
- 2 Toccare "Net Radio".
- 3 Selezionare la stazione radio Internet che si desidera ascoltare.

Ascolto di servizi di streaming

È possibile ascoltare un servizio di streaming utilizzando MusicCast CONTROLLER installata sul dispositivo mobile. Per maggiori dettagli sui servizi di streaming, fare riferimento alle spiegazioni aggiuntive riguardo ai servizi di streaming presenti nella propria zona. Accedere al sito Yamaha Downloads per scaricare le spiegazioni aggiuntive.

<https://download.yamaha.com/>

NOTA

- ◆ Il servizio è limitato a certe zone.
- ◆ Il servizio supportato dall'unità potrebbe non essere disponibile a seconda della zona di acquisto dell'unità.
- ◆ Il servizio può essere modificato o terminato senza preavviso.

Riproduzione di brani musicali memorizzati su un server multimediale (PC/NAS)

Sull'unità è possibile riprodurre i brani musicali presenti su un PC o su un server NAS (Network Attached Storage) compatibile con DLNA.

NOTA

- ◆ L'audio può essere interrotto durante l'utilizzo della connessione alla rete wireless. In questo caso, utilizzare la connessione alla rete cablata. (⇒ pagina 17)
- ◆ Per informazioni sui file musicali che è possibile riprodurre con l'unità, consultare "Dispositivi e formati di file supportati" (⇒ pagina 41). Inoltre, fare riferimento alle specifiche del dispositivo NAS.

Impostazione della condivisione multimediale

Per riprodurre sull'unità musica memorizzata sul PC (o sul NAS), è necessario abilitare la condivisione multimediale tra l'unità e altri dispositivi.

■ Per un PC con Windows Media Player

La procedura di impostazione può variare a seconda del PC o della versione di Windows Media Player. Nelle seguenti istruzioni si farà riferimento a Windows Media Player 12 a titolo di esempio.

NOTA

- ◆ Il metodo dipende dal computer e dalle impostazioni utilizzate. Per maggiori dettagli, rivolgersi al produttore del computer o alla guida di Windows Media Player.

- 1 Avviare Windows Media Player 12 sul PC.
- 2 Selezionare "Condividi", quindi "Attiva flusso multimediale".

- 3 Fare clic su "Attiva flusso multimediale".
- 4 Selezionare "Consentita" dal menu a discesa accanto al nome del modello dell'unità.
- 5 Fare clic su "OK" per uscire.

■ Per un PC o NAS con un software server DLNA diverso da Windows Media Player.

Fare riferimento al manuale di istruzioni del dispositivo o del software e configurare le impostazioni per la condivisione multi-mediale.

Riproduzione di file musicali

Ecco come riprodurre utilizzando MusicCast CONTROLLER installata sul dispositivo mobile.

NOTA

- ◆ Registrare l'unità come dispositivo abilitato MusicCast prima di riprodurre file musicali. (⇒ pagina 21)

- 1 Utilizzare MusicCast CONTROLLER per selezionare la stanza in cui è situata l'unità (p.es. Room 1).
- 2 Toccare "Server".
- 3 Seguire le istruzioni a schermo per selezionare un brano.

Ascolto di musica via Bluetooth

Sull'unità è possibile riprodurre i brani musicali presenti su un dispositivo Bluetooth (come uno smartphone).

NOTA

- ◆ Per poter utilizzare la funzionalità Bluetooth, impostare il selettore WIRELESS sul pannello posteriore dell'unità su AUTO. (⇒ pagina 12)
- ◆ Per informazioni sui dispositivi Bluetooth supportati, consultare "Dispositivi e formati di file supportati" (⇒ pagina 41).

1 Sul pannello superiore dell'unità, premere SOURCE per impostare la sorgente su Bluetooth.

L'indicatore SOURCE si illumina in blu.

2 Attivare la funzione Bluetooth sul dispositivo.

3 Sul dispositivo Bluetooth, selezionare la presente unità dall'elenco dei dispositivi disponibili.

Quando l'unità si connette a un dispositivo Bluetooth, l'indicatore  (Bluetooth) è acceso.

NOTA

- ◆ Se viene richiesta una passkey, digitare "0000".
- ◆ Se l'unità è registrata come dispositivo MusicCast, apparirà il nome della stanza nell'elenco dei dispositivi disponibili.

4 Selezionare un brano sul dispositivo Bluetooth e avviare la riproduzione.

NOTA

- ◆ Se l'unità rileva un dispositivo Bluetooth precedentemente connesso, si collegherà automaticamente al dispositivo Bluetooth dopo il punto 1. Per stabilire un'altra connessione Bluetooth, disconnettere prima la connessione Bluetooth in corso.
- ◆ Per terminare una connessione Bluetooth, seguire una delle seguenti operazioni:
 - Disconnette il dispositivo Bluetooth connesso.
 - Selezionare un'opzione diversa da "Bluetooth" come sorgente per l'unità.
- ◆ Se si abilita lo standby Bluetooth, l'unità si accende automaticamente quando viene eseguita un'operazione di connessione sul dispositivo Bluetooth. (⇒ pagina 31)

Ascolto di musica via AirPlay

È possibile utilizzare la funzione AirPlay per riprodurre file musicali su iTunes o sul dispositivo iOS via rete.

NOTA

- ◆ Se il dispositivo iOS non riconosce l'unità, verificare la rete (per esempio il router).
- ◆ Per informazioni sui dispositivi iOS supportati, consultare "Dispositivi e formati di file supportati" (⇒ pagina 41).

1 Avviare iTunes o visualizzare la schermata di riproduzione musicale sul dispositivo iOS.

Una volta che iTunes o il dispositivo iOS riconosce l'unità, appare l'icona AirPlay.

P.es. (iOS 10)



P.es., (iTunes)



2 In iTunes o sul dispositivo iOS, fare clic (toccare) sull'icona AirPlay, quindi selezionare l'unità come destinazione d'uscita dell'audio.

3 Selezionare un brano in iTunes o sul dispositivo iOS per avviare la riproduzione.

La sorgente dell'unità passa automaticamente su rete (AirPlay) e inizia la riproduzione.

L'indicatore SOURCE si illumina in rosa.

Utilizzo di MusicCast CONTROLLER per registrare preferiti

È possibile registrare fino a 40 voci di contenuto preferite (brani memorizzati sul PC e stazioni radio Internet).

- 1 Riproduzione di un brano o di una stazione radio Internet che si desidera registrare.
- 2 Nella schermata di riproduzione, toccare **...**, quindi toccare "Aggiungi ai preferiti".



Toccare qui.

Richiamo di contenuti registrati

- 1 Utilizzare MusicCast CONTROLLER per selezionare la stanza in cui è situata l'unità (p.es. Room 1).
- 2 Toccare "Preferiti" e selezionare il contenuto che si desidera riprodurre.

Impostazioni dettagliate

Configurazione delle impostazioni via MusicCast CONTROLLER

È possibile utilizzare MusicCast CONTROLLER per eseguire le impostazioni o una serie di funzioni.

Impostazione del timer di sospensione

Questa funzione imposta automaticamente l'alimentazione dell'unità in modalità standby una volta trascorso il tempo specificato.

Impostazioni

Spento (impostazione predefinita), 30 min., 60 min., 90 min., 120 min.

NOTA

- ◆ **Le impostazioni del timer di sospensione vengono annullate se si esegue una tra le seguenti azioni.**
 - Impostare l'alimentazione dell'unità in modalità standby.
 - Scollegare l'unità dalla presa CA.
 - Impostare la sorgente su PHONO.
- ◆ Non è possibile utilizzare il timer di sospensione se la sorgente è impostata su PHONO.

Abilitare/disabilitare la riproduzione automatica

Questa funzione specifica se i brani sul computer (server) verranno riprodotti automaticamente quando la sorgente è impostata su Server.

Impostazioni

Abilitato (impostazione predefinita): La riproduzione automatica è abilitata. Se l'unità conserva la cronologia di riproduzione, l'ultima voce riprodotta verrà riprodotta nuovamente. Se tale voce non esiste più, l'unità non la riprodurrà.

Disabilitato: La riproduzione automatica è disabilitata.

Abilitare/disabilitare lo standby automatico

Questa funzione imposta automaticamente l'alimentazione dell'unità in modalità standby una volta trascorso il tempo specificato in assenza di riproduzione od operazioni eseguite.

Impostazioni

Disabilitato: Lo standby automatico è disabilitato.

Abilitato: Lo standby automatico è abilitato. Se l'unità non ha effettuato riproduzioni negli ultimi 20 minuti o non è stata utilizzata nelle ultime otto ore, l'alimentazione passa automaticamente in modalità standby.

Impostazione predefinita

Modelli per Regno Unito, Europa e Corea: Abilitato
altri modelli: Disabilitato

NOTA

- ◆ **Immediatamente prima di entrare in modalità standby, l'indicatore STANDBY/ON (alimentazione) lampeggia.**

Configurare le impostazioni via browser web

È possibile utilizzare un browser web sul computer o un altro dispositivo per configurare le impostazioni per l'unità e la connessione di rete. Segue la spiegazione dell'impostazione dello standby.

Connettere l'unità alla rete prima di procedere con le seguenti operazioni. (⇒ pagine 17 e 21)

Accesso alla schermata delle impostazioni

Ecco come accedere alla schermata delle impostazioni sul computer.

- 1 **Utilizzare MusicCast CONTROLLER per scoprire l'indirizzo IP dell'unità.**
- 2 **Avviare un browser web sul computer.**
- 3 **Digitare nella barra degli indirizzi del browser web l'indirizzo IP trovato, quindi premere Invio.**

Appare la schermata delle impostazioni.

NOTA

- ◆ Non garantiamo il funzionamento con tutti i dispositivi e tutti i browser.

■ Impostazione dello standby

Standby di rete

Specifica se l'alimentazione dell'unità può essere attivata da un dispositivo di rete.

Auto (impostazione predefinita): Lo standby di rete è abilitato.
Se l'unità non è connessa in rete, lo standby di rete viene automaticamente disabilitato. (L'unità entra in modalità standby eco.)

On: Lo standby di rete è abilitato. Questa impostazione consumerà più energia rispetto all'impostazione "Off".

Off: Lo standby di rete è disabilitato. (L'unità entra in modalità standby eco.)

Standby Bluetooth

Specifica se l'alimentazione dell'unità può essere controllata da un dispositivo Bluetooth. Se l'impostazione è "On", l'unità si accende automaticamente quando viene eseguita un'operazione di connessione sul dispositivo Bluetooth.

On (impostazione predefinita): Lo standby Bluetooth è abilitato. (Solo se l'impostazione dello standby di rete è "Auto" o "On".)

Off: Lo standby Bluetooth è disabilitato.



L'avanzato design di risparmio energetico consente al prodotto di contenere i consumi entro massimo 2 watt in modalità standby di rete.

In caso di necessità

Aggiornamento del firmware

A seconda delle esigenze, verranno pubblicati nuovi firmware con funzioni aggiuntive o miglioramenti del prodotto. È possibile aggiornare il firmware utilizzando MusicCast CONTROLLER installata sul dispositivo mobile.

Quando è disponibile del nuovo firmware, il messaggio “Aggiornare il firmware ora?” appare sulla schermata di MusicCast CONTROLLER.

1 Toccare “Sì”.

Inizia l'aggiornamento del firmware.


Durante l'aggiornamento, viene visualizzata nella schermata di MusicCast CONTROLLER una barra di avanzamento e l'indicatore SOURCE dell'unità lampeggia in azzurro.

Se l'aggiornamento è andato a buon fine, la schermata di MusicCast CONTROLLER indica “Aggiornamento firmware effettuato.” e l'indicatore SOURCE dell'unità si illumina in azzurro.

AVVISO

- ◆ Non utilizzare l'unità o scollegare l'adattatore CA o il cavo di rete durante l'aggiornamento del firmware.

NOTA

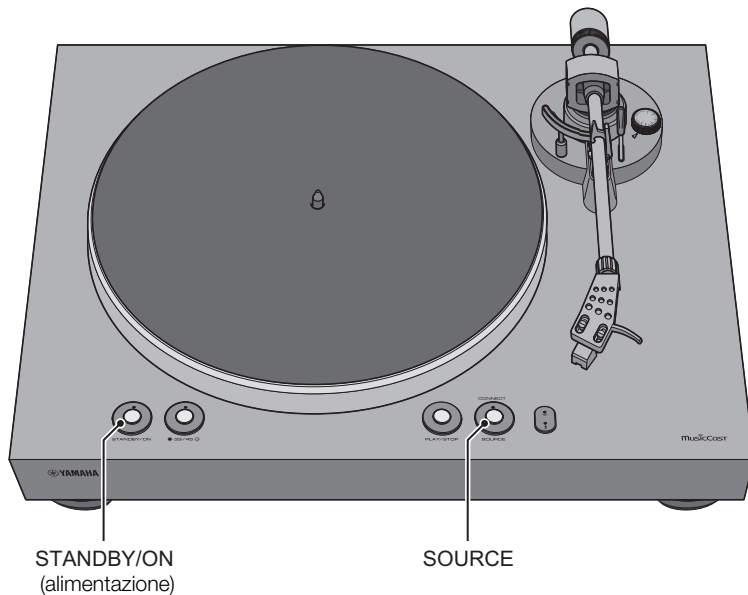
- ◆ Se si sceglie “Più tardi”, toccare  (Impostazioni) in MusicCast CONTROLLER, quindi scegliere “La nuova versione del firmware è disponibile”. Aggiornare il firmware come indicato sullo schermo.
- ◆ Quando è disponibile il nuovo firmware, l'indicatore SOURCE lampeggia anche in arancione se l'alimentazione dell'unità è accesa.
- ◆ Se non si utilizza MusicCast CONTROLLER, l'aggiornamento del firmware inizia quando si tiene premuto PLAY/STOP (riproduci/arresta) e si preme STANDBY/ON (alimentazione) mentre l'alimentazione dell'unità è in modalità standby.
- ◆ Per maggiori informazioni sul firmware, visitare il sito web Yamaha.

Inizializzazione delle impostazioni


Ecco come inizializzare le impostazioni dell'unità.

- 1 **Premere STANDBY/ON (alimentazione) per mettere l'unità in modalità standby.**
- 2 **Tenendo premuto SOURCE, premere STANDBY/ON (alimentazione) per accendere l'alimentazione dell'unità.**

L'impostazione verrà inizializzata.



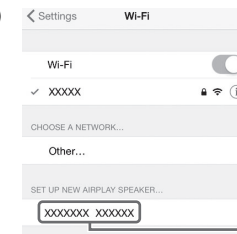
Connessione alla rete mediante la funzione WAC

Alla prima accensione dopo l'acquisto dell'unità o la sua inizializzazione, l'indicatore  (LAN wireless) lampeggerà. (Tranne quando l'unità è già connessa alla rete via cavo o quando il selettore dell'uscita audio è impostato su PHONO OUT). Mentre lampeggia, è possibile connettersi alla rete wireless condividendo le impostazioni di rete del dispositivo iOS (funzione WAC).

Per utilizzare questa funzione, procedere come segue.

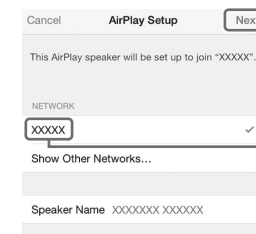
- 1 **Nella schermata Wi-Fi del dispositivo iOS, selezionare l'unità come diffusore AirPlay.**

P.es. (iOS 10)



Il nome dell'unità

- 2 **Verificare che il campo "Network" sia impostato sulla rete preferita, quindi toccare "Next".**



Toccare qui per avviare la configurazione.

Rete attualmente selezionata

Terminata la procedura di configurazione, l'unità si collega automaticamente alla rete selezionata (punto di accesso).

Cura

■ Prendersi cura dell'unità

Pulirla con un panno morbido e asciutto. Non utilizzare sostanze chimiche come benzina o diluenti poiché possono danneggiare la superficie dell'unità.

■ Prendersi cura della puntina

La puntina è estremamente delicata. Maneggiarla con cura per non danneggiarla. Se la puntina dovesse accumulare polvere, utilizzare un pennello morbido e sottile per rimuoverla iniziando dalla base della puntina e proseguendo in direzione del vertice, oppure utilizzare degli appositi prodotti per la pulizia.

■ Prendersi cura dei dischi

La sporcizia che si accumula sul disco può causare rumore o interruzioni nella riproduzione. Utilizzare un apposito prodotto per la pulizia disponibile in commercio per rimuovere la sporcizia.

Sostituzione

Sostituzione della cinghia

A seconda delle condizioni di utilizzo, la cinghia può usarsi o rompersi. In questo caso, sostituirla. Per una cinghia sostitutiva, rivolgersi al più vicino rivenditore o centro assistenza autorizzato Yamaha.

- 1 **Spegnere l'unità e i dispositivi collegati, scollegare l'adattatore CA dalla presa di corrente.**
- 2 **Rimuovere il tappetino dal piatto.**
- 3 **Rimuovere la cinghia dalla puleggia.**
- 4 **Inserire le dita nei fori rotondi del piatto e sollevare il piatto.**

 **ATTENZIONE**

- ◆ Fare attenzione a non far cadere il piatto. La caduta del piatto può provocare infortuni o danneggiare l'unità.

- 5 **Ribaltare il piatto e rimuovere la cinghia.**
- 6 **Installare la cinghia sostitutiva sul piatto.**
Fare attenzione a non intrecciare la cinghia.
- 7 **Installare il piatto sull'unità.**
Per dettagli sull'installazione, consultare "Assemblaggio" a pagina 13.

Sostituzione della puntina

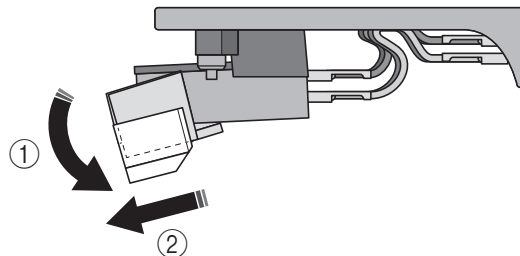
Quando la puntina si consuma o si danneggia, sostituirla immediatamente. Come puntina sostitutiva, acquistare il modello ATN3600L prodotto da Audio-Technica.

⚠ ATTENZIONE

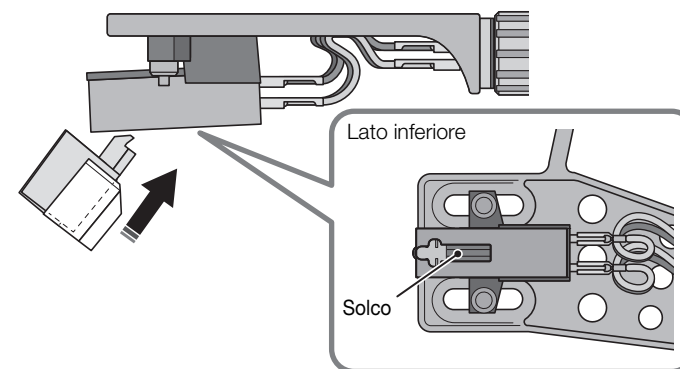
- ◆ Posizionare il coperchio della puntina prima di sostituirla. Attenzione a non ferirsi con o danneggiare la puntina.
- ◆ Fare attenzione che i bambini non ingoino la puntina rimossa.

1 Spegnere l'unità e i dispositivi collegati, scollegare l'adattatore CA dalla presa di corrente.

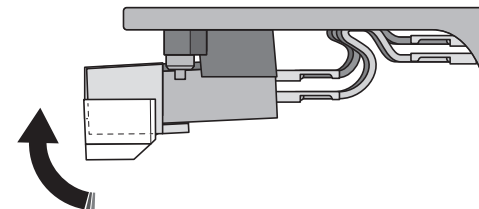
2 Mentre si tiene il corpo della testina con le dita, premere la puntina in giù in direzione ① e tirarla in direzione ② per rimuoverla.



3 Mentre si tiene il corpo della testina con le dita, inserire la linguetta della puntina nel solco sul lato inferiore della testina.



4 Premere la puntina verso l'alto fino a sentire uno scatto.



Trasporto dell'unità

Quando si sposta l'unità, bloccare il braccio in modo che non si muova.

Risoluzione dei problemi

Se l'unità smette di funzionare correttamente, verificare i seguenti punti.

Se l'azione suggerita non risolve il problema o se quest'ultimo non appare nell'elenco seguente, premere il pulsante STANDBY/ON (alimentazione) sul pannello superiore dell'unità, scollegare il cavo di alimentazione e rivolgersi al rivenditore o centro assistenza autorizzato Yamaha più vicino.

Problemi di carattere generale

Problema	Causa	Azione	Pagina di riferimento
Premendo STANDBY/ON (alimentazione) l'alimentazione non si accende.	L'adattatore CA si è scollegato dalla presa DC IN dell'unità o dalla presa di corrente oppure non è saldamente collegato.	Collegare saldamente l'adattatore CA alla presa DC IN dell'unità e a una presa di corrente.	16
Quando si preme STANDBY/ON (alimentazione), l'indicatore STANDBY/ON (alimentazione) lampeggia e l'alimentazione non si accende.	Il circuito di protezione ha funzionato per tre volte di seguito.	Per proteggere l'unità, l'alimentazione non verrà più accesa. Rivolgersi a un centro di assistenza autorizzato Yamaha per riparare l'unità.	—
Premendo SOURCE la sorgente non cambia.	Il selettore dell'uscita audio è impostato su PHONO OUT.	Impostare il selettore dell'uscita audio su LINE OUT.	12
Il piatto non gira.	La cinghia non è correttamente posizionata sul piatto e la puleggia oppure si è staccata.	Fissare correttamente la cinghia al piatto e alla puleggia.	13
	STANDBY/ON (alimentazione) non è acceso.	Accendere STANDBY/ON (alimentazione).	20
Audio assente.	Il portatestina non è correttamente collegato al braccio.	Fissare correttamente il portatestina al braccio.	14
	Il cavo stereo RCA non è collegato correttamente.	Collegare correttamente il cavo stereo RCA.	16
	L'impostazione di silenziamento dell'amplificatore è attiva.	Disattivare l'impostazione di silenziamento dell'amplificatore.	—
	Il selettore dell'uscita audio dell'unità non è impostato correttamente.	Impostare il selettore dell'uscita audio correttamente in base al dispositivo connesso.	16

Problema	Causa	Azione	Pagina di riferimento
Il volume è troppo debole o troppo forte.	L'impostazione della testina dell'amplificatore o dell'equalizzatore fonografico non è corretta.	Configurare l'impostazione della testina dell'amplificatore o dell'equalizzatore fonografico correttamente in base al tipo di testina utilizzata (MM o MC).	—
	Il selettore dell'uscita audio non è impostato correttamente.	Impostare il selettore dell'uscita audio correttamente in base al dispositivo connesso.	16
Qualcosa non va con il bilanciamento sinistra/destra dell'audio.	L'unità è inclinata.	Posizionarla su una superficie piatta.	—
La velocità di riproduzione è errata.	L'impostazione della velocità non è corretta.	Impostare correttamente 33/45 (velocità). L'unità non supporta la riproduzione di dischi SP (78 giri).	10
Si sente un ronzio.	Il cavo stereo RCA non è collegato correttamente.	Collegare correttamente il cavo stereo RCA.	16
	Il portatestina non è correttamente fissato sul braccio.	Utilizzare il dado di fissaggio per assicurare il portatestina sul braccio.	14
Si verificano dei salti. Si sente del rumore. Il suono è distorto.	La pressione della puntina non è regolata correttamente.	Impostare le indicazioni sul contrappeso sulla pressione della puntina specificate per la testina.	18
	Il disco è graffiato o distorto.	Non utilizzare dischi graffiati o distorti.	—
	Il disco è sporco.	Utilizzare un apposito prodotto per la pulizia disponibile in commercio per pulire il disco.	—
	Il disco è carico di elettricità statica.	Utilizzare un pennello antistatico per rimuovere la carica.	—
	La testina è sporca.	Rimuovere la sporcizia dalla testina.	34
	La testina è usurata.	Sostituire la testina.	35
	L'unità è collocata in una posizione soggetta a vibrazioni.	Collocare l'unità su una superficie piana e non soggetta a vibrazioni.	—
Si sente del ritorno.	L'unità è troppo vicina agli altoparlanti.	Allontanare l'unità dagli altoparlanti.	—
	Il volume di riproduzione è troppo elevato.	Regolare il volume degli amplificatori.	—

Bluetooth

Problema	Causa	Azione	Pagina di riferimento
Impossibile associare l'unità con il dispositivo Bluetooth.	Il selettore WIRELESS situato sul pannello posteriore dell'unità è impostato su OFF.	Impostare il selettore WIRELESS sul pannello posteriore dell'unità su AUTO.	12
	Il selettore dell'uscita audio dell'unità è impostato su PHONO OUT.	Il selettore dell'uscita audio è impostato su LINE OUT.	12
	L'unità è già collegata a un altro dispositivo Bluetooth.	Scollegare il dispositivo Bluetooth attualmente accoppiato e accoppiare quello desiderato.	28
	L'unità e il dispositivo Bluetooth sono troppo distanti.	Avvicinare il dispositivo Bluetooth all'unità.	—
	La comunicazione wireless è ostacolata dalle interferenze di un dispositivo che utilizza la banda di frequenza 2,4 GHz (p.es. un forno a microonde o una LAN wireless).	Allontanare l'unità o il dispositivo Bluetooth da questi dispositivi. Se il router LAN wireless supporta la banda di frequenza 5 GHz, passare a una connessione che utilizzi la banda di frequenza 5 GHz.	—
	Il dispositivo Bluetooth non supporta il protocollo A2DP.	Utilizzare un dispositivo Bluetooth che supporti A2DP.	—
	Per qualche ragione, il profilo di connessione registrato nel dispositivo Bluetooth potrebbe non funzionare correttamente.	Eliminare il profilo Bluetooth nel dispositivo Bluetooth, quindi collegare il dispositivo Bluetooth all'unità.	—
	La password dei dispositivi che si sta cercando di associare all'unità, ad esempio un adattatore Bluetooth, è diversa da "0000".	Utilizzare un dispositivo con password "0000".	—
	Il volume del dispositivo Bluetooth è troppo basso.	Aumentare il volume del dispositivo Bluetooth.	—
	Il dispositivo Bluetooth non è impostato per inviare segnali audio all'unità.	Sul dispositivo Bluetooth, selezionare la presente unità come destinazione dell'uscita audio.	28
Audio assente o intermittente.	La connessione Bluetooth è stata terminata.	Eeguire nuovamente le operazioni di connessione Bluetooth.	28
	L'unità e il dispositivo Bluetooth sono troppo distanti.	Avvicinare il dispositivo Bluetooth all'unità.	—
	La comunicazione wireless è ostacolata dalle interferenze di un dispositivo che utilizza la banda di frequenza 2,4 GHz (p.es. un forno a microonde o una LAN wireless).	Allontanare l'unità o il dispositivo Bluetooth da questi dispositivi. Se il router LAN wireless supporta la banda di frequenza 5 GHz, passare a una connessione che utilizzi la banda di frequenza 5 GHz.	—

Rete

Problema	Causa	Azione	Pagina di riferimento
Impossibile utilizzare la funzione di rete.	I parametri di rete (indirizzo IP) non sono stati ottenuti correttamente.	Attivare la funzione DHCP sul router.	—
	Il selettore dell'uscita audio dell'unità è impostato su PHONO OUT.	Il selettore dell'uscita audio è impostato su LINE OUT.	12
	Il selettore WIRELESS situato sul pannello posteriore dell'unità è impostato su OFF.	Impostare il selettore WIRELESS sul pannello posteriore dell'unità su AUTO.	12
	Si sta tentando di connettersi a un router di tipo IPv6.	L'unità non è compatibile con le reti IPv6. Connettersi a una rete IPv4.	—
L'unità non si connette a Internet mediante un router LAN wireless (punto di accesso).	Il router LAN wireless (punto di accesso) è spento.	Accendere il router LAN wireless.	—
	L'unità e il router LAN wireless (punto di accesso) sono troppo distanti.	Avvicinare l'unità al router.	—
	È presente un ostacolo tra l'unità e il router LAN wireless (punto di accesso).	Rimuovere l'ostacolo presente tra l'unità e il router LAN wireless (punto di accesso).	—
Non è possibile utilizzare la rete wireless.	Forse un dispositivo che emette onde elettromagnetiche (come per esempio un forno a microonde o un dispositivo wireless ecc.) si trova nelle vicinanze.	Quando si connette l'unità senza cavo, non utilizzare nelle vicinanze dispositivi che emettono onde elettromagnetiche.	—
	L'accesso alla rete è limitato dalle impostazioni del firewall del router LAN wireless (punto di accesso).	Controllare le impostazioni del firewall del router LAN wireless (punto di accesso).	—
Impossibile rilevare il computer (server).	Le impostazioni di condivisione multimediale sul PC (o server) non sono corrette.	Modificare le impostazioni in modo che l'unità possa accedere alle cartelle sul PC (o sul server).	—
	L'accesso è limitato dalle impostazioni di sicurezza sul PC (o server) o sul router.	Verificare le impostazioni di sicurezza sul PC (o server) o sul router.	—
	L'unità e il PC non sono connessi alla stessa rete.	Controllare i collegamenti di rete e le impostazioni del router per connettere unità e PC alla stessa rete.	—
I file sul PC (o sul server) non vengono visualizzati (o riprodotti).	L'unità o il PC (o il server) non supportano il formato di file.	Fare in modo di utilizzare un formato di file supportato dall'unità e dal PC.	41

Problema	Causa	Azione	Pagina di riferimento
Impossibile riprodurre la radio via Internet.	La stazione radio Internet selezionata attualmente è fuori servizio.	È possibile che si sia presentato un problema di rete per la stazione radio, o che il servizio sia stato interrotto. Tentare più tardi o selezionare un'altra stazione.	—
	La stazione radio attualmente selezionata trasmette solo silenzio.	Alcune stazioni radio Internet trasmettono solo silenzio in determinati orari del giorno. In questo caso, non c'è alcun problema di ricezione ma non verrà riprodotto audio. Provare a sintonizzarsi più tardi o scegliere un'altra stazione.	—
	L'accesso alla rete è limitato dalle impostazioni del firewall dei dispositivi di connessione (per es. il router).	Controllare le impostazioni del firewall dei dispositivi. La radio Internet può essere riprodotta solo tramite la porta indicata dalla stazione radio in questione. Il numero della porta varia a seconda della stazione radio.	—
Il dispositivo iOS non rileva l'unità quando viene utilizzato AirPlay.	Forse è in uso un router che supporta più SSID.	La funzione di suddivisione di rete del router potrebbe bloccare l'accesso all'unità. Se si sta collegando un dispositivo iOS, utilizzare un SSID che consenta di accedere all'unità. (Provare a connettersi all'SSID principale.)	—
L'unità non viene rilevata utilizzando un'applicazione dedicata su un dispositivo mobile.	L'unità e il dispositivo mobile non si trovano sulla stessa rete.	Controllare i collegamenti di rete e le impostazioni del router per connettere unità e PC alla stessa rete.	—
	Forse è in uso un router che supporta più SSID.	La funzione di suddivisione di rete del router potrebbe bloccare l'accesso all'unità. Se si sta collegando un dispositivo iOS, utilizzare un SSID che consenta di accedere all'unità. (Provare a connettersi all'SSID principale.)	—
L'aggiornamento del firmware dell'unità non è riuscito.	La qualità della connessione di rete potrebbe non essere buona.	Provare a eseguire nuovamente l'aggiornamento dopo un certo periodo di tempo.	32
L'unità non si connette a un router LAN wireless (punto di accesso).	Potrebbe essere attivo il filtro indirizzi MAC sul router LAN wireless (punto di accesso).	L'unità non è in grado di connettersi al router se il filtro indirizzi MAC è attivo. Cambiare l'impostazione sul router LAN wireless (punto di accesso) e tentare nuovamente di connettere l'unità.	—

Dispositivi e formati di file supportati

I seguenti dispositivi e formati di file possono essere utilizzati con l'unità.

Dispositivi supportati

■ Dispositivi Bluetooth

- ◆ È possibile utilizzare dispositivi Bluetooth che supportino il protocollo A2DP.
- ◆ Yamaha non garantisce la connessione con tutti i dispositivi Bluetooth.

■ AirPlay

AirPlay funziona con iPhone, iPad e iPod touch con iOS 4.3.3 o successivo, Mac con OS X Mountain Lion e successivo e PC con iTunes 10.2.2 o successivo.

Modelli compatibili (a luglio 2018)

Made for.

iPhone X, iPhone 8 Plus, iPhone 8, iPhone 7 Plus, iPhone 7, iPhone SE, iPhone 6s Plus, iPhone 6s, iPhone 6 Plus, iPhone 6, iPhone 5s, iPhone 5c, iPhone 5, iPhone 4s

iPad Pro (10.5"), iPad Pro (12.9") di 2^a generazione, iPad Pro (12.9") di 1^a generazione, iPad Pro (9.7"), iPad mini 4, iPad Air 2, iPad mini 3, iPad Air, iPad mini 2, iPad mini, iPad (di 5^a generazione), iPad (di 4^a generazione), iPad (di 3^a generazione), iPad 2

iPod touch (di 6^a generazione), iPod touch (di 5^a generazione)

Formati di file

■ PC/NAS

File	Frequenza di campionamento o (kHz)	Profondità in bit (bit)	Bitrate (kbps)	Numero di canali	Supporto per riproduzione senza interruzioni
WAV *	32/44,1/48/ 88,2/96/ 176,4/192	16/24	-	2	✓
MP3	32/44,1/48	-	8-320	2	-
WMA	32/44,1/48	-	8-320	2	-
MPEG-4 AAC	32/44,1/48	-	8-320	2	-
FLAC	32/44,1/48/ 88,2/96/ 176,4/192	16/24	-	2	✓
ALAC	32/44,1/48/ 88,2/96	16/24	-	2	✓
AIFF	32/44,1/48/ 88,2/96/ 176,4/192	16/24	-	2	✓
DSD	2,8 MHz/ 5,6 MHz 11,2 MHz	1	-	2	-

* Solo formato PCM lineare

- ◆ Per riprodurre i file FLAC, occorre installare il software server che supporta la condivisione dei file FLAC via DLNA sul PC o utilizzare un NAS che supporti i file FLAC.
Per ulteriori informazioni, consultare il manuale del software server.
- ◆ Non è possibile riprodurre contenuti Digital Rights Management (DRM).

Marchi di fabbrica



L'utilizzo del simbolo Works with Apple indica che un accessorio elettronico è stato progettato specificatamente per funzionare con la tecnologia identificata nel simbolo e che lo sviluppatore ne certifica la conformità agli standard Apple.

Apple, iPad, iPad Air, iPad Pro, iPhone e iTunes sono marchi di fabbrica di Apple Inc., depositati negli U.S.A. e in altri Paesi.

App Store è un marchio di servizio di Apple Inc.

Windows™

Windows è un marchio di fabbrica registrato di Microsoft Corporation negli USA ed in altri paesi.

Internet Explorer, Windows Media Audio e Windows Media Player sono marchi di fabbrica registrati o marchi di fabbrica di Microsoft Corporation negli Stati Uniti e/o in altri paesi.

Android™ Google Play™

Android e Google Play sono marchi di fabbrica di Google Inc.



Il logo Wi-Fi CERTIFIED™ è un marchio di certificazione di Wi-Fi Alliance®.

Wi-Fi, Wi-Fi CERTIFIED e Wi-Fi Protected Setup sono marchi registrati o marchi di Wi-Fi Alliance®.



Il marchio con il termine Bluetooth® e i loghi sono marchi di fabbrica registrati di Bluetooth SIG, Inc. e Yamaha Corporation li utilizza dietro concessione di licenza. Gli altri marchi e marchi registrati sono dei rispettivi proprietari.



Yamaha Eco-Label è un marchio che certifica i prodotti con prestazioni ambientali elevate.



MusicCast è un marchio di fabbrica o marchio di fabbrica registrato di Yamaha Corporation.

Spiegazioni relative a GPL/LGPL

Questo prodotto utilizza del software open source GPL/LGPL in alcune sezioni. Si ha il diritto di ottenere, applicare, modificare e ridistribuire solo questo codice open source. Per maggiori informazioni sul software open source GPL/LGPL, su come ottenerlo, e sulla licenza GPL/LGPL, fare riferimento al sito Web Yamaha Corporation:
<https://download.yamaha.com/sourcecodes/musiccast/>

Licenze

Per informazioni sulle licenze di software di terze parti inclusi in questo prodotto, fare riferimento a quanto riportato in basso.

[http://\(IP address of this product*\)/licenses.html](http://(IP address of this product*)/licenses.html)

* L'indirizzo IP di questo prodotto è controllato da MusicCast CONTROLLER.

Dati tecnici

Le specifiche dell'unità sono le seguenti.

Sezione piatto

Metodo di trasporto	Trazione a cinghia
Motore	Motore CC
Velocità di rotazione	33 1/3 giri/minuto, 45 giri/minuto
Variazione della velocità di rotazione	±2%
Oscillazioni e vibrazioni	0.2%
Piatto	Alluminio pressofuso Diametro 30 cm

Sezione braccio

Tipo	Braccio diritto a bilanciamento statico
Lunghezza effettiva braccio	223,5 mm
Intervallo di regolazione della pressione della puntina	0–4 g
Peso accettabile della testina	15,5–19 g (compreso il portatestina)
Sbalzo	19 mm

Sezione testina

Tipo	MM
Tensione di uscita	2,5 mV (1 kHz, 3,54 cm/sec)
Pressione della puntina	3,5 ±0,5 g
Peso della testina	5,0 ±0,3 g
Altezza della testina	17,0 ±0,7 mm
Peso del portatestina	10 g (incluso viti, dadi e fili)

Terminali di ingresso/uscita

Audio analogico (RCA non bilanciato)
PHONO OUT×1
LINE OUT×1
RETE (cablata) x 1 (100Base-TX/10Base-T)

Bluetooth

Funzione sink	
Dal dispositivo sorgente all'unità (p.es. Smartphone/Tablet)	
Codec supportati	SBC, AAC
Profili supportati	A2DP, AVRCP
Versione Bluetooth	Ver. 4.2
Uscita wireless	Bluetooth Classe 2
Distanza massima di comunicazione	10 m (senza interferenze)

Rete

AirPlay supportato
Radio Internet

Rete wireless

Standard per reti wireless IEEE 802.11 a/b/g/n/ac*

* Solo la larghezza di banda del canale da 20 MHz

Banda di frequenza radio 2,4 GHz, 5 GHz

WPS (Wi-Fi Protected Setup)

Metodo PIN

Metodo di sicurezza disponibile

WEP

WPA2-PSK (AES)

Mixed Mode

Sezione audio (Rete, Bluetooth)

Livello di uscita (1 kHz, 0 dB, FS 44,1 kHz) 2,0 ±0,3 V

Rapporto segnale-rumore (rete IHF-A) (Infinito zero, Fs 44,1 kHz)
 110 dB o più

Gamma dinamica (1 kHz, -60 dB, Fs 44,1 kHz) 100 dB o più

Distorsione armonica (1 kHz, 0 dB, Fs 44,1 kHz) 0,003% o meno

Risposta in frequenza

Fs 44,1 kHz 2 Hz-20 kHz (+0/-3 dB)

Fs 48 kHz 2 Hz-24 kHz (+0/-3 dB)

Fs 96 kHz 2 Hz-48 kHz (+0/-3 dB)

Fs 192 kHz 2 Hz-96 kHz (+0/-6 dB)

Sezione audio (PHONO)

Livello di uscita

PHONO OUT (1 kHz, 3,54 cm/sec) 2,5 mV ±3 dBV

LINE OUT 450 mV (-7 dBV)

Rapporto segnale-rumore (pesato A, 20 kHz LPF) 67 dB o più

Problemi di carattere generale

Adattatore per l'alimentazione CA

Ingresso 100-240 V CA 50/60 Hz

Uscita 12 V 1 A

Assorbimento di corrente 6 W

Standby eco 0,3 W

Standby di rete attivato / standby Bluetooth disattivato

Cablata 1,4 W

Wireless (Wi-Fi) 1,8 W

Standby di rete attivato / standby Bluetooth attivato

Cablata 1,6 W

Wireless (Wi-Fi) 1,8 W

Peso 5,7 kg

Dimensioni (larghezza x altezza x profondità) 450 x 136 x 368 mm
 (incluse gambe e sporgenze)

- ♦ Il contenuto del presente manuale si applica alle ultime specifiche tecniche a partire dalla data di pubblicazione. Per ottenere la versione più recente del manuale, accedere al sito Web Yamaha e scaricare il file corrispondente.

Este producto es de uso doméstico y está diseñado para disfrutar escuchando audio en casa.

PRECAUCIONES

ANTES DE USAR EL PRODUCTO, ASEGÚRESE ES IMPORTANTE SEGUIR ESTAS INSTRUCCIONES.

La finalidad de las precauciones siguientes es evitar lesiones al usuario y otras personas y daños materiales. Además, ayudarán al usuario a utilizar esta unidad de forma correcta y segura. Es importante seguir estas instrucciones.

Después de leer este manual, es importante guardarlo en un lugar seguro donde pueda consultarlo en cualquier momento.

- Asegúrese de solicitar las inspecciones o reparaciones al distribuidor a quien compró la unidad o al Servicio técnico de Yamaha.
- Yamaha no se hace responsable de sus lesiones o los daños a sus productos debidos a uso inapropiado o modificaciones de la unidad.
- Este producto es para hogares corrientes. No lo utilice para aplicaciones que requieran un alto nivel de fiabilidad, tales como la gestión de vidas humanas, atención sanitaria o activos de valor elevado.



ADVERTENCIA

Este contenido está relacionado con “riesgo de lesiones graves o muerte”

Alimentación/adaptador de CA

- No realice ninguna acción que pueda dañar el cable de alimentación.
 - No lo coloque cerca de una estufa.
 - No lo doble excesivamente ni lo modifique.
 - No lo raye.
 - No lo coloque bajo ningún objeto pesado.Usar el cable de alimentación con el cable pelado puede provocar una descarga eléctrica o un incendio.
- No toque el enchufe ni el cable de alimentación durante una tormenta eléctrica. De no seguirse estas instrucciones, existe riesgo de descargas eléctricas.
- Use esta unidad con la tensión de alimentación que está impresa en ella. Si no se conecta a una toma de corriente de CA apropiada, existe riesgo de incendio, descargas eléctricas o averías.
- Asegúrese de utilizar el adaptador de CA suministrado. De no seguirse estas instrucciones, existe riesgo de incendio, quemaduras o averías.

- Compruebe periódicamente el enchufe y quite la suciedad o el polvo que pudiera haberse acumulado en él. De no seguirse estas instrucciones, existe riesgo de incendio o descargas eléctricas.
- Cuando instale la unidad, asegúrese de que se puede acceder fácilmente a la toma de CA que utilice. Si se produjera algún problema o funcionamiento defectuoso, apague el interruptor de alimentación y desconecte el enchufe de la toma de CA. Incluso cuando el interruptor de alimentación esté apagado, si el cable de alimentación no está desenchufado de la toma de CA de la pared, la unidad no se desconectará de la alimentación.
- Si escucha algún trueno o sospecha que se aproxima una tormenta eléctrica, apague inmediatamente el interruptor de alimentación y desconecte el enchufe de alimentación de la toma de corriente de CA. De no seguirse estas instrucciones, existe riesgo de incendio o averías.
- Si no va a utilizar la unidad durante un período prolongado, asegúrese de desconectar el enchufe de alimentación de la toma de corriente de CA. De no seguirse estas instrucciones, existe riesgo de incendio o averías.

No desmonte la unidad

- No desmonte ni modifique nunca esta unidad. De no seguirse estas instrucciones, existe riesgo de incendio, descargas eléctricas, lesiones o averías. Si observa cualquier irregularidad, asegúrese de solicitar una inspección o reparación al distribuidor a quien compró la unidad o al Servicio técnico de Yamaha.

Advertencia sobre el agua

- No exponga la unidad a la lluvia, ni la use cerca del agua o en lugares donde haya mucha humedad o donde pueda gotear agua, ni le ponga encima recipientes (como jarrones, botellas o vasos) que contengan líquido, ya que puede derramarse y penetrar en el interior del aparato. Si cualquier líquido, como el agua, penetra en la unidad, existe riesgo de incendio, descargas eléctricas o averías. Si entra en el dispositivo cualquier líquido, por ejemplo agua, apague inmediatamente la alimentación y desenchufe el cable de alimentación de la toma de CA. A continuación, solicite una inspección al distribuidor a quien compró la unidad o al Servicio técnico de Yamaha.
- Nunca enchufe o desenchufe un cable eléctrico con las manos mojadas. No manipule esta unidad con las manos húmedas. De no seguirse estas instrucciones, existe riesgo de descargas eléctricas o averías.

Advertencia sobre el contacto con fuego

- No coloque objetos ardientes ni llamas abiertas cerca de la unidad, ya que existe riesgo de incendio.

Unidad inalámbrica

- No utilice esta unidad cerca de dispositivos médicos ni dentro de instalaciones sanitarias. Las ondas de radiofrecuencia de esta unidad pueden afectar a los dispositivos de electromedicina.
- No utilice la unidad a menos de 15 cm de personas que tengan implantado un marcapasos o un desfibrilador. Las ondas de radiofrecuencia que emite esta unidad pueden afectar a los dispositivos de electromedicina implantados, como marcapasos o desfibriladores.

Si observa cualquier anomalía

- Si surge cualquiera de las anomalías siguientes, apague inmediatamente la alimentación y desconecte el enchufe de alimentación.
 - El cable/enchufe de alimentación está deteriorado.
 - La unidad emite humo u olores no habituales.
 - Algún material extraño ha caído en el interior de la unidad.
 - La unidad presenta alguna grieta u otro signo de deterioro.

Si continúa usando la unidad, existe riesgo de descarga eléctrica, incendio o avería. Solicite inmediatamente una inspección o reparación al distribuidor a quien compró la unidad o al Servicio técnico de Yamaha.

- Asegúrese de que la unidad o el adaptador de CA no se le caigan y no los someta a ningún impacto fuerte. Si sospecha que la unidad podría estar deteriorada como consecuencia de una caída o un golpe, apague inmediatamente la alimentación y extraiga el enchufe de alimentación de la toma de corriente de CA. De no seguirse estas instrucciones, existe riesgo de descargas eléctricas, incendio o averías. Solicite inmediatamente una inspección al distribuidor a quien compró la unidad o al Servicio técnico de Yamaha.



ATENCIÓN

Este contenido está relacionado con “riesgo de lesiones”:

Alimentación/adaptador de CA

- No cubra ni envuelva el adaptador de CA con una tela o manta. De no seguirse estas instrucciones, el calor quedaría atrapado, lo que provocaría deformación en caso de un incendio.
- No utilice una toma de corriente de CA que presente holgura al insertar el enchufe de alimentación. De no seguirse estas instrucciones, existe riesgo de incendio, descargas eléctricas o quemaduras.
- Al retirar el enchufe de la unidad o de una toma de CA, tire siempre del enchufe y no del cable. Tirar del cable puede deteriorarlo, con el consiguiente riesgo de descargas eléctricas o incendio.
- Inserte el enchufe de alimentación firmemente hasta el fondo en la toma de corriente de CA. Usar la unidad sin estar debidamente enchufada puede provocar acumulación de polvo en las patillas, con el consiguiente riesgo de incendio o quemaduras.

Instalación

- No coloque la unidad sobre superficies inestables, donde pueda caerse o volcarse por accidente y provocar lesiones.
- Al instalar esta unidad:
 - No tape el dispositivo con ningún tipo de tela.
 - No instale el dispositivo sobre moquetas o alfombras.
 - Asegúrese de que la superficie superior queda hacia arriba; no instale la unidad sobre los laterales ni boca abajo.
- Asegúrese de que la parte superior está orientada hacia arriba. De lo contrario, se pueden producir averías o la unidad podría caerse y provocar lesiones.
- No instale la unidad en un lugar donde pueda entrar en contacto con gases corrosivos o aire salobre, o bien en lugares donde haya un exceso de humo o vapor. Si ocurriera, podría dar lugar a un funcionamiento defectuoso.
- Procure no estar cerca de la unidad si se produce algún desastre natural como, por ejemplo, un terremoto. Dado que la unidad podría volcar o caerse y causar lesiones, aléjese de ella rápidamente y vaya a un lugar seguro.
- Antes de mover esta unidad, asegúrese de desconectar el interruptor de alimentación y todos los cables de conexión. De no seguirse estas instrucciones, existe riesgo de deterioro de los cables o de que usted u otra persona tropiecen con ellos y se caigan.

Pérdida auditiva

- Antes de conectar la unidad a otros dispositivos, desconecte la alimentación de todos ellos. De no seguirse estas instrucciones, existe riesgo de pérdida de audición, descarga eléctrica o daños en el dispositivo.
- Cuando encienda la alimentación de CA del sistema de sonido, encienda siempre el amplificador o receptor EN ÚLTIMO LUGAR para evitar sufrir pérdida de audición y no provocar daños en los altavoces. Por el mismo motivo, cuando desconecte la alimentación, apague PRIMERO el amplificador o receptor. De no seguirse estas instrucciones, existe riesgo de pérdida auditiva o daños en los altavoces.

Mantenimiento

- Desconecte el enchufe de alimentación de la toma de CA antes de limpiar la unidad. De no seguirse estas instrucciones, existe riesgo de descargas eléctricas.

Precauciones de uso

- Mantenga las partes pequeñas fuera del alcance de los niños. Estos podrían ingerirlas por accidente.
- No haga lo siguiente:
 - Subirse encima del equipo o sentarse en él.
 - Poner objetos pesados encima del equipo.
 - Apilar el equipo.
 - Aplicar fuerza más allá de lo razonable a los botones, interruptores, terminales de entrada/salida, etc.
 - Apoyarse sobre el equipo.
- No tire de los cables conectados para evitar lesiones o daños en la unidad debidos a caídas.

Aviso

Indica puntos que debe observar para evitar averías, daños o mal funcionamiento del producto, así como pérdidas de datos.

Alimentación/adaptador de CA

- Si no va a utilizar la unidad durante un período prolongado, asegúrese de desconectar el enchufe de alimentación de la toma de corriente. Una mínima corriente aún seguirá fluyendo aunque la alimentación se haya desconectado (la alimentación está en modo de espera).

Instalación

- No utilice esta unidad en las proximidades de equipos electrónicos, tales como TV, radios o teléfonos móviles. De no seguirse estas instrucciones, la unidad, el televisor o la radio podrían emitir ruidos de interferencias.
- No use esta unidad en una ubicación que esté expuesta a la luz solar directa, que alcance temperaturas demasiado altas (por ejemplo, al lado de una estufa) o bajas ni que esté sometida a cantidades excesivas de polvo o vibraciones. De no seguirse estas instrucciones, existe riesgo de que el panel de la unidad se deforme, de que sus componentes internos se averíen o de que el funcionamiento sea inestable.
- Si usa una función inalámbrica, evite instalar esta unidad cerca de tabiques o mesas de metal, hornos microondas u otros dispositivos de red inalámbrica.
Las obstrucciones pueden acortar el alcance de la transmisión.

Conexiones

- Si va a conectar unidades externas, asegúrese de leer detenidamente el manual de cada una de ellas y de conectarlas de acuerdo con las instrucciones.
Manipular la unidad sin atenderse a las instrucciones puede provocar averías.

Manipulación

- No coloque productos de plástico o caucho sobre esta unidad. De no seguirse estas instrucciones, el panel de la unidad podría decolorarse o deformarse.
- Si la temperatura ambiente cambia drásticamente (por ejemplo, durante el transporte o al aplicar rápidamente la calefacción o el aire acondicionado) y existe la posibilidad de que se haya formado condensación en el interior de la unidad, déjela varias horas sin encenderla hasta que esté totalmente seca antes de usarla. Usar la unidad mientras contiene condensación puede producir averías.

Mantenimiento

- Si la temperatura o la humedad cambian drásticamente, es posible que se formen gotas de agua (condensación) en la superficie de la unidad. Si se forman gotas de agua, límpielas de inmediato con un paño suave. Si se dejan gotas de agua sobre la unidad, es posible que las partes de madera las absorban, lo que provocará deformación.
- Para limpiar la unidad, utilice un paño suave y seco. No use productos químicos como bencina, disolventes, detergentes o bayetas impregnadas de productos químicos, pues podrían provocar decoloraciones o deformaciones.

Información

Acerca del contenido de este manual

- Las figuras y pantallas de este manual solo tienen propósitos ilustrativos.
- Los nombres de empresas y productos utilizados en este manual son marcas comerciales o marcas comerciales registradas de sus respectivos titulares.
- El software podría revisarse y actualizarse sin previo aviso.

■ Acerca de la placa del nombre de la unidad

El número de modelo, el número de serie, los requisitos de alimentación, etc. pueden encontrarse en la placa de identificación o cerca de ella. Esta placa se encuentra en la parte inferior de la unidad. Debe anotar dicho número en el espacio proporcionado a continuación y conservar este manual como comprobante permanente de su compra para facilitar la identificación en caso de robo.

Nº de modelo

Nº de serie

(bottom_es_01)

[Modelo de Europa]

Funciones de comunicación inalámbrica

Bluetooth

Frecuencia de radio (frecuencia operativa): de 2402 MHz a 2480 MHz
Potencia de salida máxima (PIRE): 7,27 dBm

Wi-Fi (2,4 GHz)

Frecuencia de radio: de 2402 MHz a 2482 MHz
Potencia de salida máxima (PIRE): 19,98 dBm

Wi-Fi (5 GHz)

Frecuencia de radio, Potencia de salida máxima (PIRE):
de 5170 a 5250MHz, 22,03 dBm
de 5250 a 5330MHz, 22,27 dBm
de 5490 a 5710MHz, 24,56 dBm
de 5735 a 5835MHz, 13,96 dBm

- Los dispositivos inalámbricos que transmitan en la banda de frecuencia de 5 GHz solo podrán utilizarse en el interior. La ley prohíbe el uso de dichos dispositivos en el exterior.

Información para usuarios sobre la recogida y eliminación de los equipos antiguos y las pilas usadas



Estos símbolos en los productos, embalajes y documentos anexos significan que los productos eléctricos y electrónicos y sus pilas no deben mezclarse con los desperdicios domésticos normales. Para el tratamiento, recuperación y reciclaje apropiados de los productos antiguos y las pilas usadas, llévelos a puntos de reciclaje correspondientes, de acuerdo con la legislación nacional.

Al deshacerse de estos productos y pilas de forma correcta, ayudará a ahorrar recursos valiosos y a impedir los posibles efectos desfavorables en la salud humana y en el entorno que de otro modo se producirían si se trataran los desperdicios de modo inapropiado.

Para obtener más información acerca de la recogida y el reciclaje de los productos antiguos y las pilas, póngase en contacto con las autoridades locales, con el servicio de eliminación de basuras o con el punto de venta donde adquirió los artículos.



Para los usuarios empresariales de la Unión Europea:

Si desea desechar equipos eléctricos y electrónicos, póngase en contacto con su vendedor o proveedor para obtener más información.



Información sobre la eliminación en otros países fuera de la Unión Europea:

Estos símbolos solamente son válidos en la Unión Europea. Si desea desechar estos artículos, póngase en contacto con las autoridades locales o con el vendedor y pregúnteles el método correcto.

Cd

Nota sobre el símbolo de pila (dos ejemplos de símbolos en la parte inferior):

Este símbolo se puede utilizar en combinación con un símbolo químico. En este caso, cumple el requisito establecido por la Directiva de la UE sobre pilas correspondiente a la sustancia química utilizada.

(weee_battery_eu_es_02)



Contenido

Antes de empezar **8**

Qué puede hacer con la unidad	8
Acerca de este manual	9
Manipulación de discos	9
Comprobación de los accesorios suministrados...	9
Partes y sus funciones	10
Panel superior	10
Panel trasero	12

Preparación **13**

Ubicación	13
Montaje	13
Montaje de la unidad	13
Colocación de la cubierta antipolvo.	15
Conexiones	16
Conexión a un amplificador.	16
Conexión de un cable de red	17
Ajustes	18
Ajuste de la presión de aguja	18
Ajuste del antideslizamiento	20
Encendido de la unidad	20
Acerca de los modos de espera de esta unidad ...	20
Conexión de la unidad a la red	21

Reproducción 23

Escucha de un disco	23
Escucha de radio de Internet	26
Escucha de servicios de transmisión	26
Reproducción de archivos de música guardados en un servidor multimedia (PC/NAS) . .	27
Configuración del uso compartido de medios.	27
Reproducción de archivos de música.	27
Escucha de música a través de Bluetooth	28
Escucha de música a través de AirPlay	29
Uso de MusicCast CONTROLLER para registrar favoritos.	29

Ajustes detallados 30

Configuración a través de MusicCast CONTROLLER	30
Ajuste del temporizador para dormir.	30
Activación/desactivación de la reproducción automática	30
Activación/desactivación de la espera automática	30
Configuración a través de un navegador de Internet	31
Acceso a la pantalla de ajustes.	31

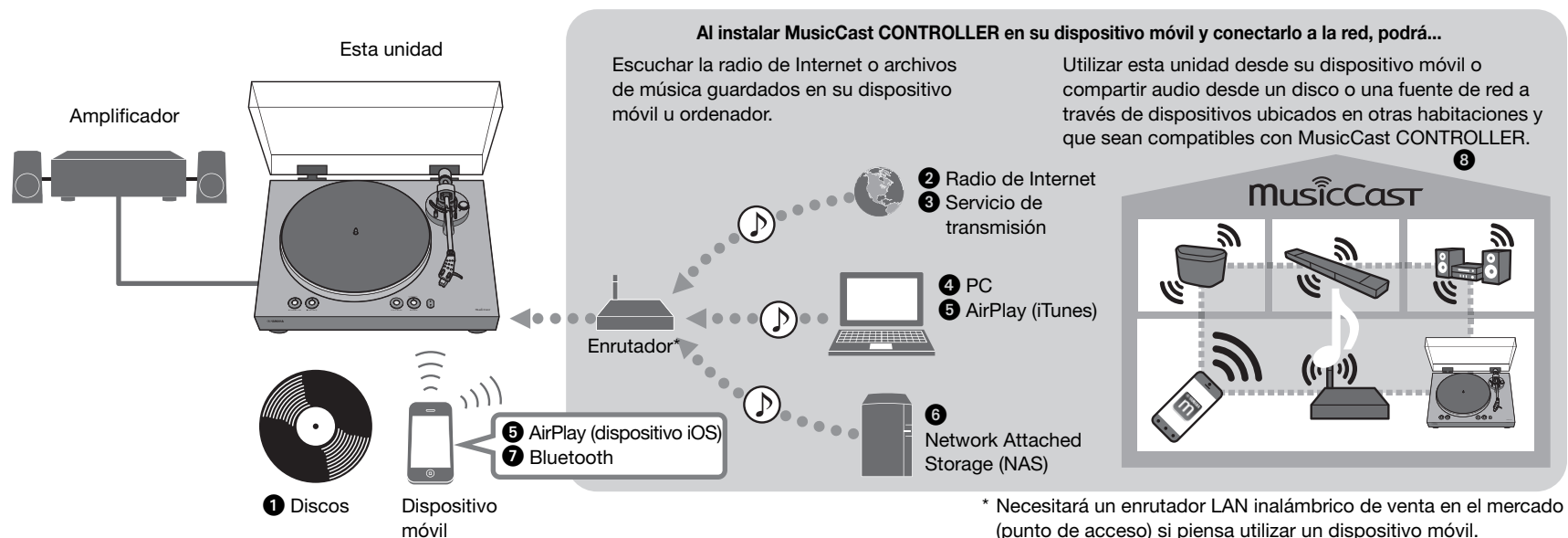
En caso necesario 32

Actualización del firmware.	32
Inicialización de los ajustes	33
Conexión a una red usando la función WAC	33
Cuidados.	34
Sustitución	34
Sustitución de la correa	34
Sustitución de la aguja para disco.	35
Traslado de esta unidad	35
Resolución de problemas	36
General	36
Bluetooth	38
Red.	39
Dispositivos y formatos de archivo admitidos	41
Dispositivos admitidos	41
Formatos de archivo	41
Marcas comerciales.	42
Especificaciones	43

Antes de empezar

Qué puede hacer con la unidad

Esta unidad es un giradiscos de red que permite reproducir desde fuentes de red como servidores multimedia o dispositivos móviles, además de reproducir discos.



- 1 Reproducción de discos (⇒ página 23)
- 2 Escucha de radio de Internet (⇒ página 26)
- 3 Escucha de servicios de transmisión (⇒ página 26)
- 4 Reproducción de archivos de música guardados en un PC (⇒ página 27)
- 5 Reproducción de archivos de música con AirPlay (⇒ página 29)

- 6 Reproducción de archivos de música en un dispositivo Network Attached Storage (NAS) (⇒ página 27)
- 7 Reproducción de contenido de audio desde un dispositivo Bluetooth (⇒ página 28)
- 8 Reproducción de música con MusicCast CONTROLLER (⇒ página 21)

Acerca de este manual

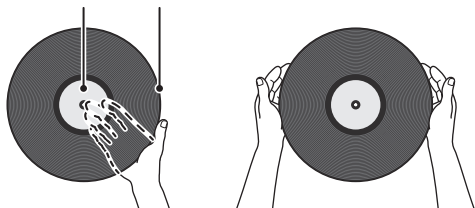
Cuando lea este manual, tenga en cuenta lo siguiente.

- ♦ Las especificaciones y el diseño están sujetos a cambio sin previo aviso para mejorar el producto.
- ♦ En este manual, iPhone, iPad y iPod touch se denominan de forma colectiva “dispositivo iOS”.
- ♦ En este manual se utilizan pantallas de MusicCast CONTROLLER que aparecen en inglés en un iPhone como ejemplos.
- ♦ Explicación de los símbolos gráficos utilizados en este manual:
 - “**⚠ ADVERTENCIA**” indica puntos que deben observarse para evitar el riesgo de muerte o lesiones graves.
 - “**⚠ ATENCIÓN**” indica puntos que deben observarse para evitar el riesgo de lesiones.
 - **AVISO** indica puntos que deben observarse para evitar dañar el producto o provocar una avería.
 - **NOTA** Indica información complementaria que le resultará útil.

Manipulación de discos

Cuando sostenga un disco, debe hacerlo por la zona de la etiqueta del disco y su borde exterior, o bien por los bordes exteriores del disco con las dos manos.

Zona de la etiqueta Borde exterior



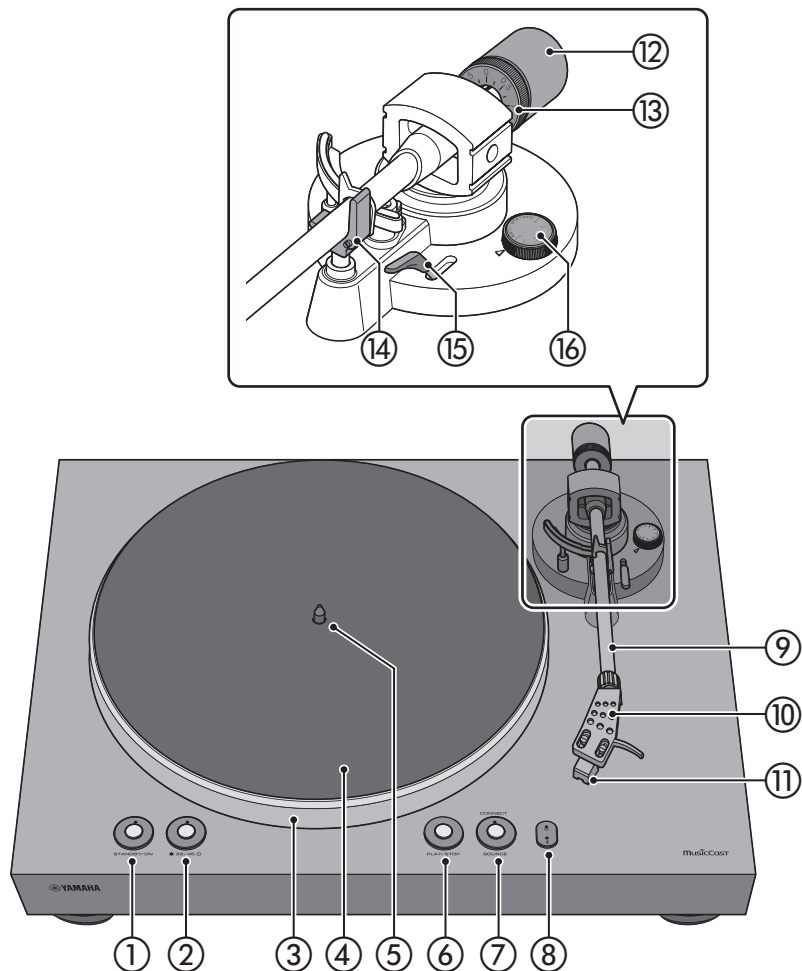
Comprobación de los accesorios suministrados

Asegúrese de que todos los elementos están presentes.

<input type="checkbox"/> Plato x1 	<input type="checkbox"/> Tapete de plato x1 	<input type="checkbox"/> Correa x1 * La correa está instalada en el plato.
<input type="checkbox"/> Contrapeso x1 	<input type="checkbox"/> Cabezal de la aguja x1 (con cartucho) 	<input type="checkbox"/> Adaptador de 45 rpm x1
<input type="checkbox"/> Cubierta antipolvo x1 	<input type="checkbox"/> Bisagra de la cubierta antipolvo x2 	<input type="checkbox"/> Cable estéreo RCA x1
<input type="checkbox"/> Adaptador de CA x1 * Para obtener más información, consulte el “suplemento” (folleto) incluido.	<input type="checkbox"/> Manual de instrucciones (este manual) <input type="checkbox"/> Suplemento (folleto)	

Partes y sus funciones

Panel superior



① STANDBY/ON (alimentación)

Alterna la alimentación de la unidad entre encendido y en espera (apagado). (⇒ página 20)

Indicador de STANDBY/ON (alimentación)

Indica el estado de la alimentación de la unidad.

Iluminado: alimentación encendida

Iluminación suave: alimentación en estado de red en espera (⇒ página 20)

Apagado: alimentación en estado de reposo eco (⇒ página 20)

② 33/45 (velocidad) (⇒ página 24)

Indicador de velocidad (⇒ página 24)

③ Plato (⇒ página 13)

④ Tapete de plato (⇒ página 14)

⑤ Eje central (⇒ página 13)

⑥ PLAY/STOP (reproducción/parada) (⇒ página 24)

Permite girar o detener el plato.

NOTA

- ◆ Si la fuente (fuente de audio) es una red o una conexión Bluetooth, permite reproducir o detener la fuente de red.

⑦ SOURCE

Selecciona la fuente (fuente de audio) para esta unidad. Cada vez que lo pulsa, la fuente alterna entre PHONO, red y Bluetooth.

NOTA

- ◆ La fuente se puede cambiar si el interruptor de selección de salida de audio del panel trasero de esta unidad se establece en LINE OUT.

Indicador de SOURCE

El color del indicador cambia en función de la fuente.

Fuente	Color del indicador
PHONO	Blanco
Red (AirPlay)	Rosa
Red (distinta de AirPlay)	Verde
Bluetooth	Azul

NOTA

- ◆ Cuando se proporciona firmware nuevo, el indicador parpadea en naranja. (⇒ página 32)

CONNECT

Utilícelo cuando use MusicCast CONTROLLER para realizar ajustes de conexión de red. (⇒ página 21)

⑧ Indicador de  (LAN inalámbrica)

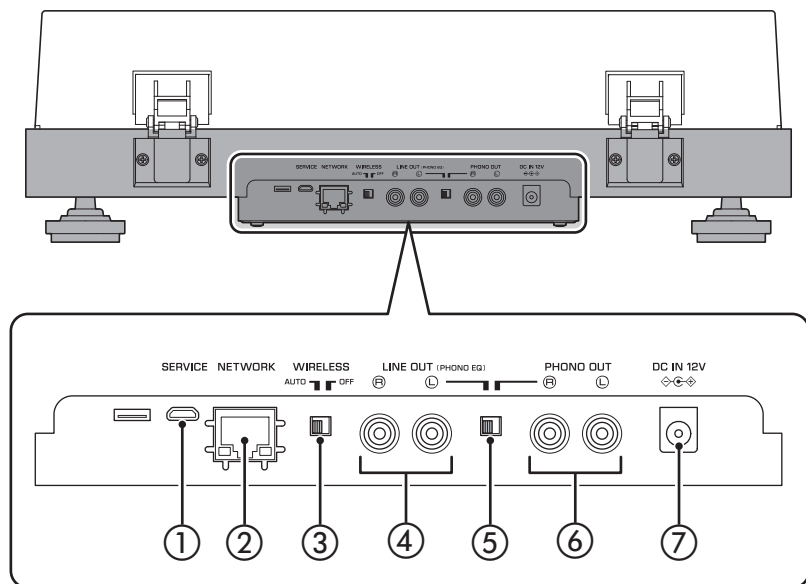
Se ilumina cuando esta unidad se conecta de manera inalámbrica. (⇒ página 21)

Indicador de  (Bluetooth)

Se ilumina cuando esta unidad se conecta a un dispositivo Bluetooth. (⇒ página 28)

⑨ Brazo fonocaptor (⇒ página 14)**⑩ Cabezal de la aguja (⇒ página 14)****⑪ Cartucho****⑫ Contrapeso (⇒ página 19)****⑬ Anillo contador (⇒ página 19)****⑭ Soporte del brazo (⇒ página 18)****⑮ Palanca elevadora (⇒ página 24)****⑯ Antideslizamiento (⇒ página 20)**

Panel trasero



① Toma SERVICE

Esta toma sirve solamente para realizar reparaciones. No se suele utilizar.

② Toma NETWORK

Utilice un cable LAN (disponible en el mercado) para conectarla a su red.

③ Interruptor WIRELESS

Activa/desactiva la funcionalidad inalámbrica de esta unidad (incluido el Bluetooth).

AUTO (predeterminado): la funcionalidad inalámbrica está activada.

OFF: la funcionalidad inalámbrica está desactivada.

④ Tomas LINE OUT

Emite el audio de reproducción desde el disco o la fuente de red. (⇒ página 16)

⑤ Interruptor de selección de salida de audio

Alterna la salida de audio. (⇒ página 16)

LINE OUT (predeterminado): la señal procedente del cartucho se amplifica mediante el ecualizador del giradiscos que está integrado en esta unidad, y se emite desde las tomas LINE OUT.

PHONO OUT: la señal procedente del cartucho se emite directamente desde las tomas PHONO OUT.

⑥ Tomas PHONO OUT

Estas tomas emiten el audio de reproducción del disco. (⇒ página 17)

⑦ Toma DC IN

Conecte el adaptador de CA (incluido) a esta toma. (⇒ página 16)

Preparación

Ubicación

Debido a que la reproducción de discos se ve afectada fácilmente por la vibración, debe colocar la unidad en una superficie plana que no esté sometida a vibraciones externas.

Colóquela lo suficientemente lejos del sistema de altavoces para que no se vea afectada por la presión o vibración acústica.

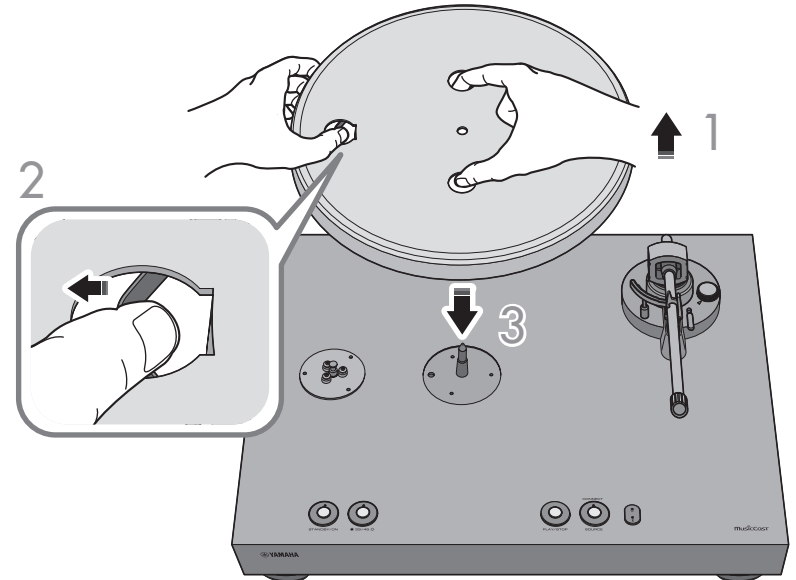
Montaje

Montaje de la unidad

- 1 Levante el plato.
- 2 A través del agujero redondo del plato, tire de la correa hacia fuera enganchándola con el dedo.
- 3 Inserte el plato sobre el eje central.

ATENCIÓN

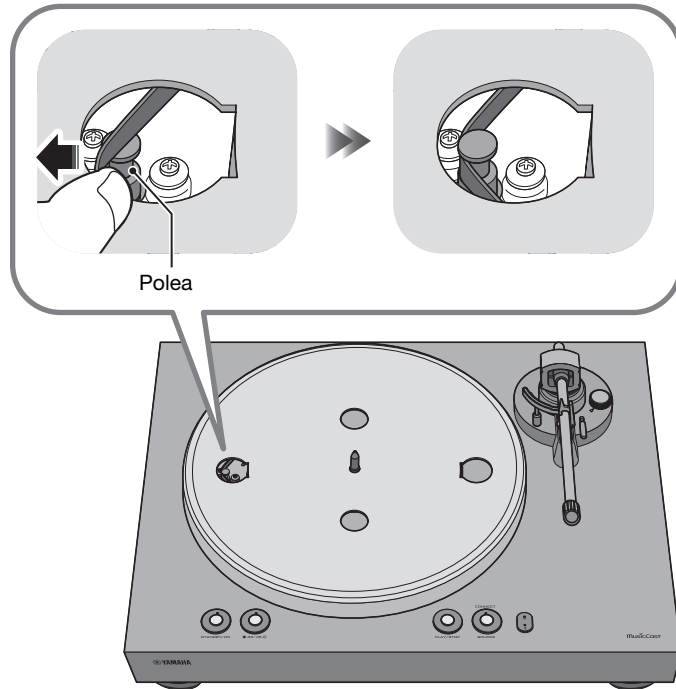
- ◆ Evite dejar caer el plato. De lo contrario, se pueden producir lesiones o podría dañar la unidad.



4 Alinee el agujero redondo del plato con la polea.

5 Utilice un dedo para enganchar la correa en la polea.

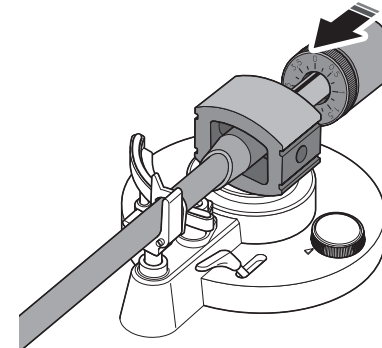
Evite que la correa se retuerza. Tras enganchar la correa en la polea, gire el plato varias veces para asegurarse de que la correa está bien colocada.



6 Coloque el tapete de plato sobre el plato.

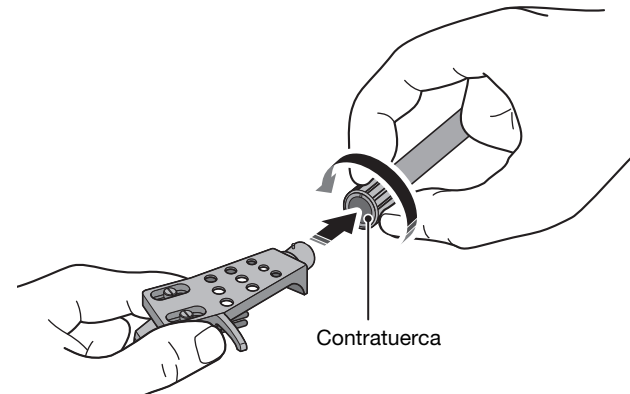
7 Acople el contrapeso al brazo fonocaptor.

Con las marcas del contrapeso orientadas hacia usted, deslícelo sobre el extremo trasero del brazo fonocaptor.



8 Acople el cabezal de la aguja al brazo fonocaptor.

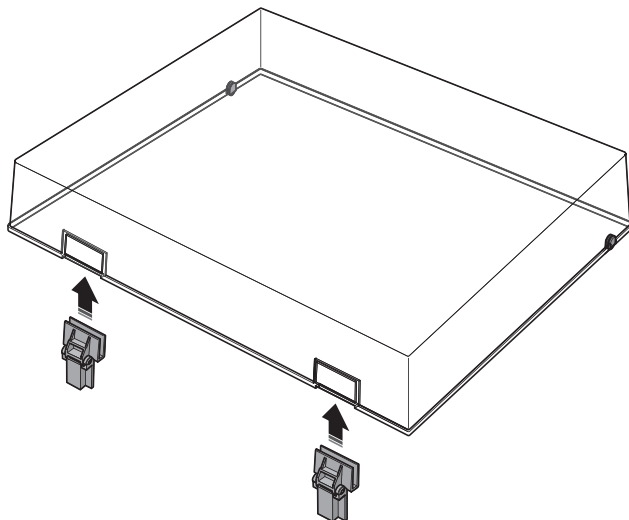
Inserte el cabezal de la aguja en el extremo delantero del brazo fonocaptor y gire la contratuerca para fijarlo.



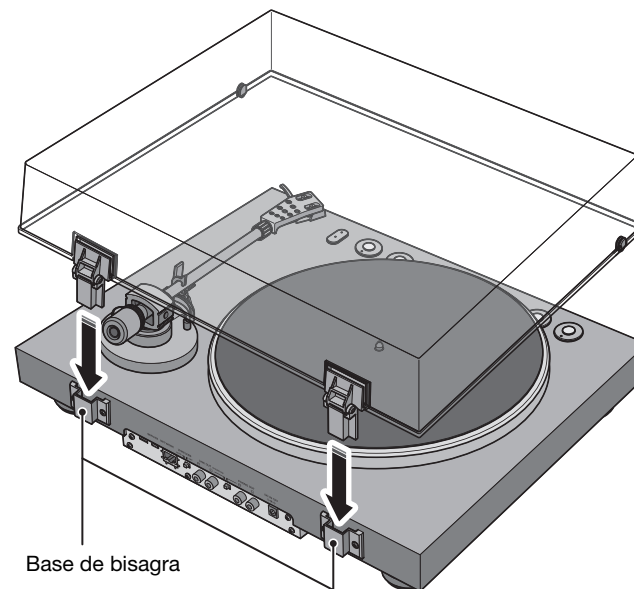
Colocación de la cubierta antipolvo

La cubierta antipolvo protege esta unidad del polvo, etc.

- 1 Inserte las bisagras en las ubicaciones correspondientes a ambos lados de la cubierta antipolvo.



- 2 Acople la cubierta antipolvo insertando las bisagras en las bases de bisagra ubicadas en el panel trasero de la unidad.



NOTA

- ◆ Para extraer la cubierta antipolvo, sujete los dos lados de la cubierta y levántela lentamente para retirarla junto con sus bisagras.



ATENCIÓN

- ◆ Evite pellizcarse las manos o los dedos al abrir o cerrar la cubierta antipolvo.

Conexiones

Conexión a un amplificador

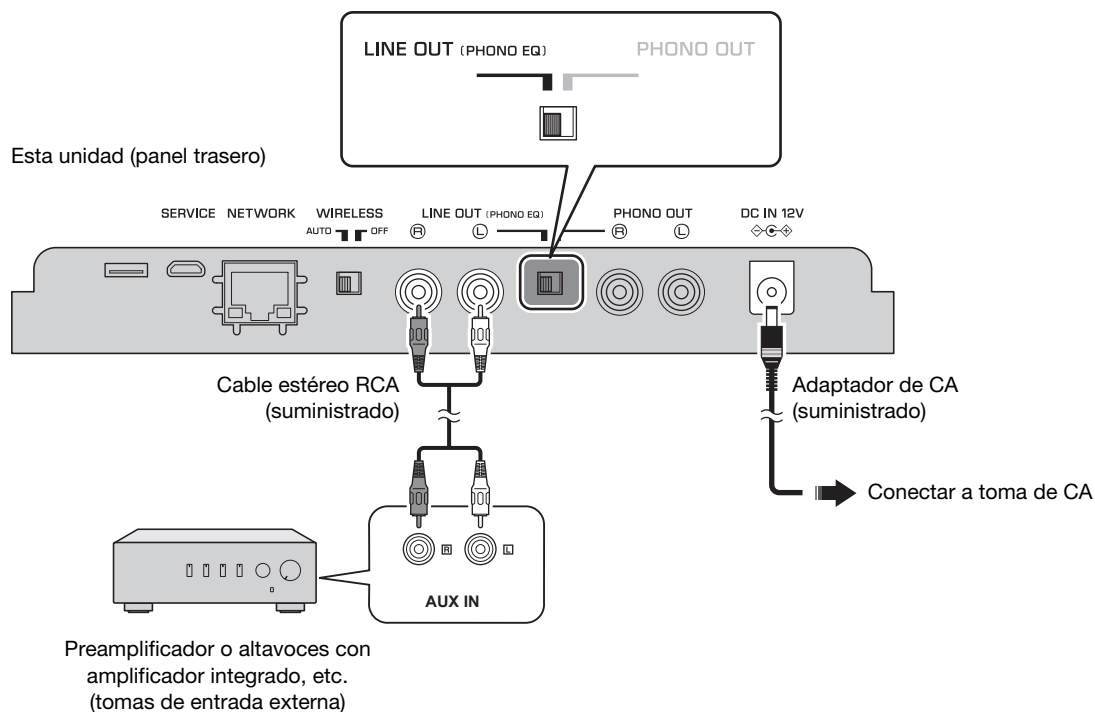
Realice conexiones como se muestra en la ilustración siguiente.

■ Si utiliza las tomas LINE OUT de esta unidad

Fuentes que se pueden reproducir: discos, todas las fuentes de red incluyendo radio de Internet y Bluetooth

⚠ ATENCIÓN

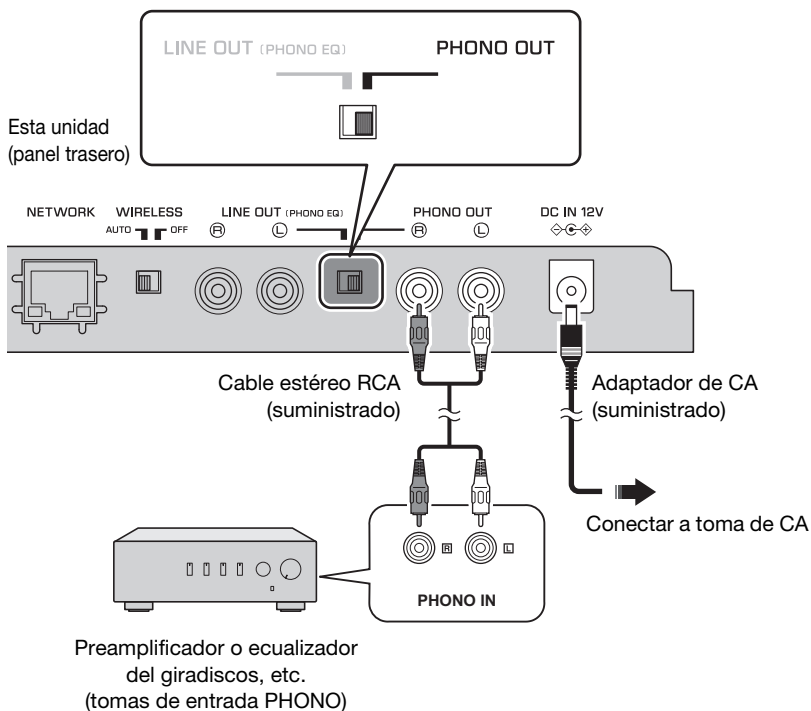
- ◆ No enchufe a las tomas de CA (corriente alterna) los cables de alimentación de esta unidad y de otros dispositivos conectados hasta que todas las conexiones y ajustes de interruptor de selección de salida de audio estén terminados.



■ Si utiliza las tomas PHONO OUT de esta unidad

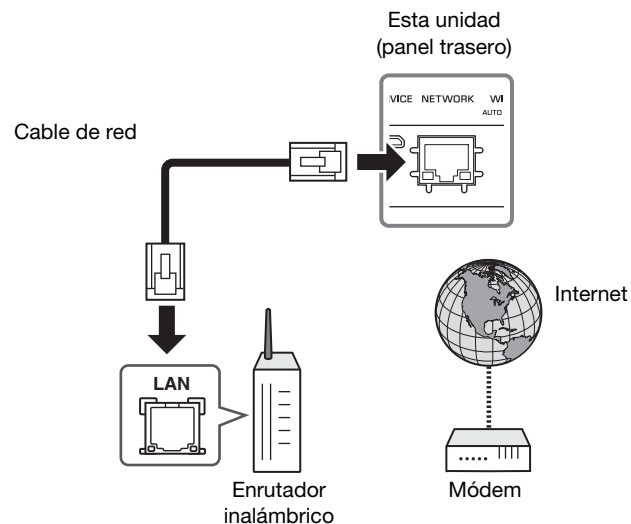
Fuentes que se pueden reproducir: discos

No se puede usar la funcionalidad de red de esta unidad.



Conexión de un cable de red

Para utilizar una conexión por cable a la red, conecte esta unidad al enrutador con un cable de red STP disponibles en el mercado (cable recto CAT-5 o superior). Para realizar una conexión inalámbrica a la red, consulte “Conexión de la unidad a la red” (⇒ página 21).



NOTA

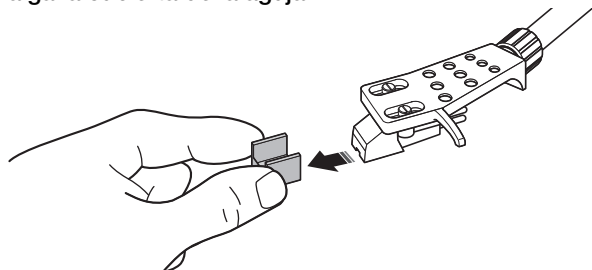
- ◆ Conecte el cable de red antes de encender la alimentación de esta unidad.
- ◆ Puede conectarse a la red mediante una conexión por cable sin importar si el interruptor WIRELESS ubicado en el panel trasero de esta unidad está colocado en AUTO u OFF. (⇒ página 12)
- ◆ Si la unidad ya está conectada a la red de manera inalámbrica, ajuste la alimentación de esta unidad en el modo de espera, conecte el cable de red, coloque el interruptor WIRELESS del panel trasero en OFF y luego encienda la alimentación. (⇒ página 12)

Ajustes

Ajuste de la presión de aguja

Ajuste el brazo fonocaptor de modo que se aplique al disco la presión de aguja adecuada.

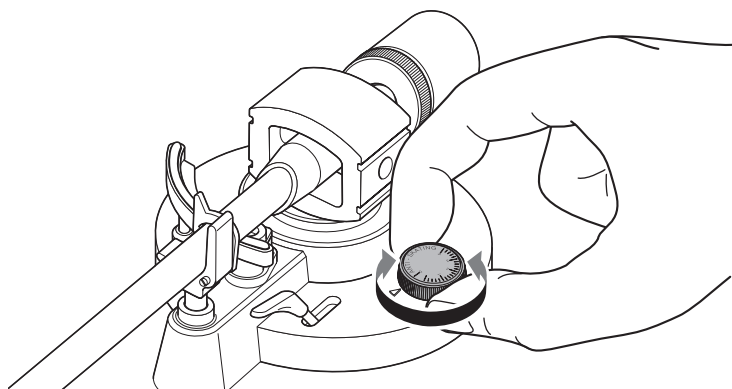
1 Extraiga la cubierta de la aguja.



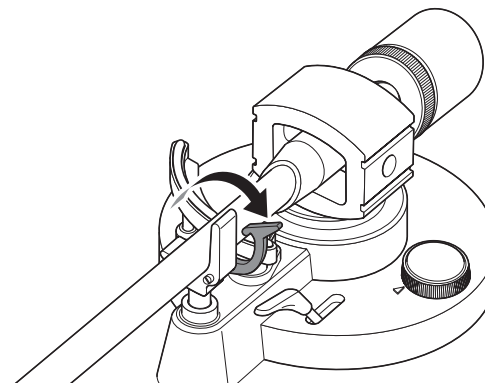
AVISO

- ◆ Evite que la cubierta de la aguja o su dedo entren en contacto con la aguja.

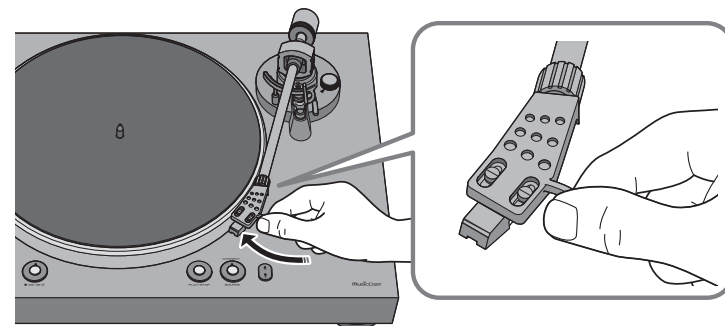
2 Coloque el ajuste antideslizamiento en la posición "0".



3 Libere el inmovilizador del brazo fonocaptor.



4 Desplace el brazo fonocaptor fuera del soporte del brazo y ligeramente hacia la izquierda.



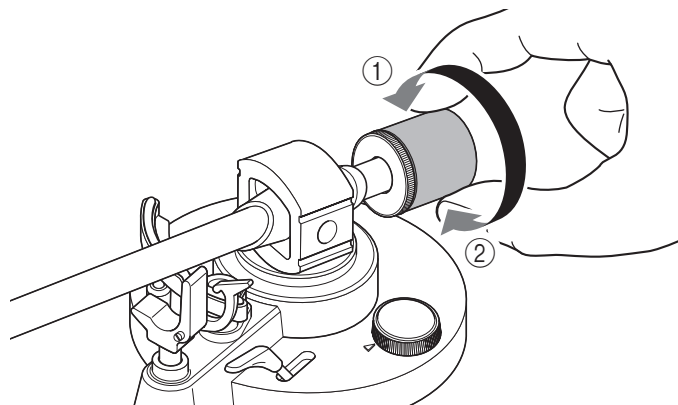
AVISO

- ◆ Evite que la aguja entre en contacto con cualquier parte de la unidad.

5 Gire el contrapeso de modo que el brazo fonocaptor quede horizontal.

Hacia ①: el contrapeso avanza por el brazo fonocaptor.

Hacia ②: el contrapeso retrocede por el brazo fonocaptor.



Correcto



El brazo fonocaptor está horizontal (equilibrado).

Incorrecto



El contrapeso está demasiado hacia delante.

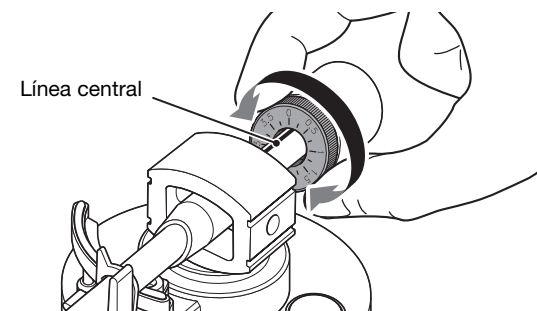
Incorrecto



El contrapeso está demasiado hacia atrás.

6 Vuelva a colocar el brazo fonocaptor en el soporte del brazo e inmovilícelo.

7 Gire el anillo contador de modo que la marca "0" quede alineada con la línea central del extremo trasero del brazo fonocaptor.

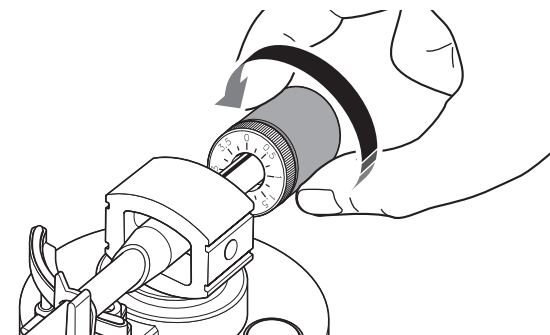


NOTA

- ◆ Al girar el anillo contador, presione el contrapeso con los dedos para que no gire.

8 Al girar el contrapeso, ajuste las marcas de este a la presión de aguja especificada para el cartucho.

La presión de aguja especificada para el cartucho suministrado es 3,5 g.



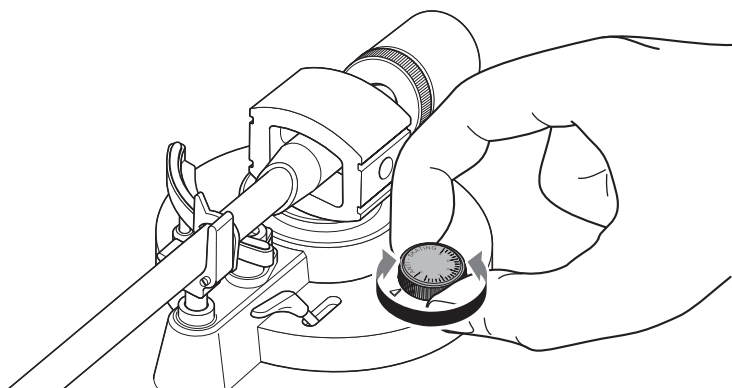
NOTA

- ◆ Al girar el contrapeso también gira el anillo contador.

Ajuste del antideslizamiento

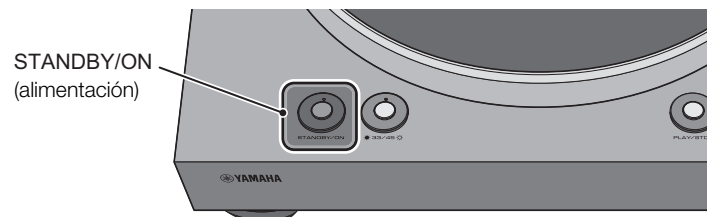
Cuando el plato gira, la punta de la aguja genera una fuerza que la empuja hacia el centro de rotación. Si el valor de antideslizamiento se establece en el mismo valor que la presión de aguja, se genera una fuerza que tira de la aguja hacia fuera del centro de rotación, y ambas fuerzas se cancelan mutuamente.

- 1 Gire el antideslizamiento al mismo valor que la presión de aguja del cartucho.



Encendido de la unidad

En el panel superior de la unidad, pulse STANDBY/ON (alimentación) para encender la alimentación de la unidad. Pulse STANDBY/ON (alimentación) de nuevo para poner la unidad en el modo de espera.



NOTA

- ◆ Al encender la alimentación por primera vez tras la compra o la inicialización de la unidad, es posible que el indicador de (LAN inalámbrica) parpadee. Si es así, puede conectarla a la red inalámbrica compartiendo los ajustes de red de su dispositivo iOS. (⇒ página 33)
Para poder escuchar música desde distintas fuentes de red, utilice MusicCast CONTROLLER para conectarse a su red. (⇒ página 21)

Acerca de los modos de espera de esta unidad

Esta unidad tiene dos tipos de modo de espera.

Red en espera: la alimentación de este dispositivo se puede encender desde un dispositivo de red (solo cuando el interruptor de selección de salida de audio se establece en LINE OUT).

Reposo eco: este modo reduce el consumo energético en espera.

NOTA

- ◆ Si desea cambiar al ajuste de reposo eco, puede utilizar su navegador de Internet para cambiar el ajuste de espera. (⇒ página 31)
- ◆ Si desea cambiar temporalmente al reposo eco, mantenga pulsado STANDBY/ON (alimentación) durante cinco segundos mientras la unidad recibe alimentación (solo cuando el interruptor de selección de salida de audio se establece en LINE OUT).

Conexión de la unidad a la red

En esta sección se explica cómo registrar la unidad con MusicCast y cómo configurar la unidad para la conexión de red.

Aunque este dispositivo esté conectado a la red con un cable, el registro en MusicCast es necesario para reproducir fuentes de red.

NOTA

- ◆ Si desea reproducir fuentes de audio de alta resolución a través de la red, se recomienda una conexión por cable para mayor estabilidad de reproducción. (⇒ página 17)
- ◆ Su dispositivo móvil debe estar ya conectado al enrutador LAN inalámbrico (punto de acceso).

1 Instale MusicCast CONTROLLER en su dispositivo móvil.

En el App Store o en Google Play, busque MusicCast CONTROLLER (gratis) e instale la aplicación en su dispositivo móvil.

Para obtener más información acerca de MusicCast CONTROLLER, consulte el siguiente sitio web.

<https://www.yamaha.com/musiccast/>



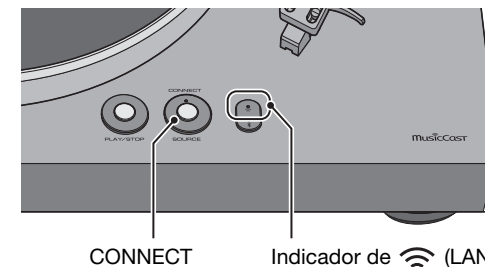
MusicCast CONTROLLER es una aplicación para controlar dispositivos compatibles con MusicCast. Permite compartir música entre varios dispositivos compatibles con MusicCast colocados en distintas habitaciones. Puede utilizar su smartphone u otro dispositivo móvil como mando a distancia para seleccionar con facilidad canciones y realizar ajustes en el dispositivo compatible con MusicCast.

2 Inicie MusicCast CONTROLLER en su dispositivo móvil y, a continuación, toque “Configuración”.




3 Configure MusicCast CONTROLLER siguiendo las instrucciones que aparecen en la pantalla de su dispositivo móvil y, en el panel superior de esta unidad, mantenga pulsado el botón CONNECT durante cinco segundos.

El indicador de (LAN inalámbrica) parpadea.




4 Siga las instrucciones de la pantalla del dispositivo móvil para hacer los ajustes de red con MusicCast CONTROLLER.

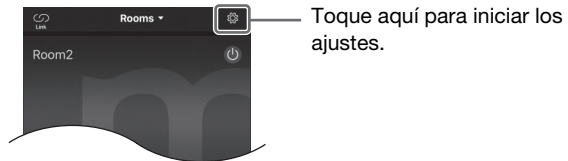
Cuando esta unidad se conecta a la red, el indicador de  (LAN inalámbrica) se ilumina.

Ahora la unidad está registrada con MusicCast y se han completado los ajustes de red.

Utilice MusicCast CONTROLLER para reproducir música.

NOTA

- ◆ Para configurar dispositivos compatibles con MusicCast adicionales, toque  (Ajustes) en la esquina superior derecha de la pantalla de MusicCast CONTROLLER y, a continuación, seleccione “Añadir dispositivo nuevo”.



Reproducción

Escucha de un disco

A continuación se explica cómo reproducir un disco.

■ Inicio de la reproducción

⚠ ATENCIÓN

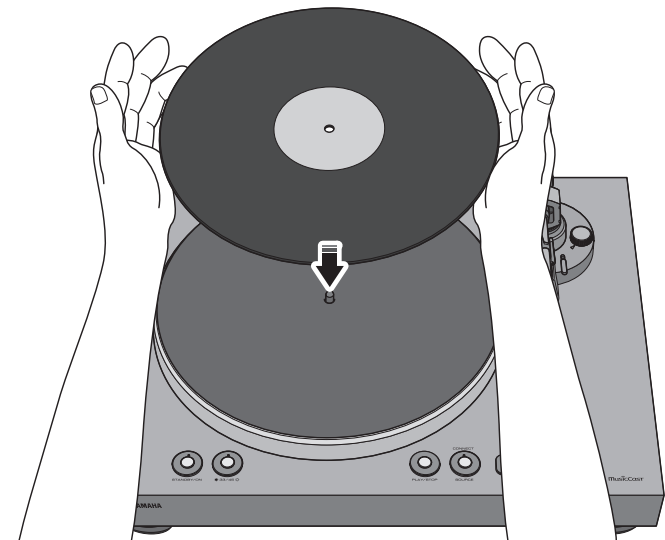
- ◆ Si reproduce un disco sin bajar lo suficiente el volumen de su amplificador, se puede producir un sonido fuerte cuando la punta de la aguja entra en contacto con el disco. Esto puede provocar pérdida de audición y dañar el amplificador y el altavoz, por lo que debe asegurarse de bajar el volumen del amplificador.
- ◆ Si reproduce un disco y el sonido se emite desde las tomas LINE OUT, el plato se detendrá cuando cambie la fuente de PHONO a red o Bluetooth.

NOTA

- ◆ MusicCast CONTROLLER no puede iniciar/detener la reproducción de discos ni cambiar la velocidad.

1 Abra la cubierta antipolvo y coloque el disco en el plato.

Si reproduce un disco de 45 rpm, utilice el adaptador de 45 rpm incluido.



- 2 Pulse 33/45 (velocidad) para seleccionar la velocidad adecuada para el disco.

La velocidad cambia cada vez que se pulsa 33/45 (velocidad).

Indicador de velocidad iluminado: 33 1/3 rpm

Indicador de velocidad apagado: 45 rpm

- 3 Pulse SOURCE para cambiar la fuente a PHONO.

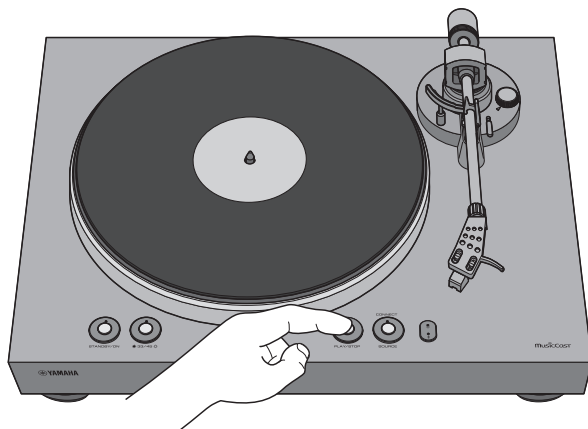
El indicador de SOURCE se ilumina en blanco.

NOTA

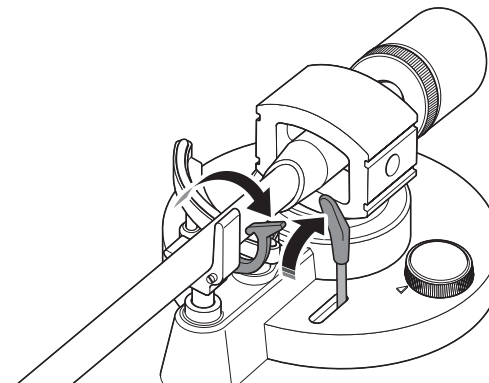
- ◆ Si el interruptor de selección de salida de audio se establece en PHONO OUT, no es necesario cambiar la fuente.

- 4 Pulse PLAY/STOP (reproducción/parada).

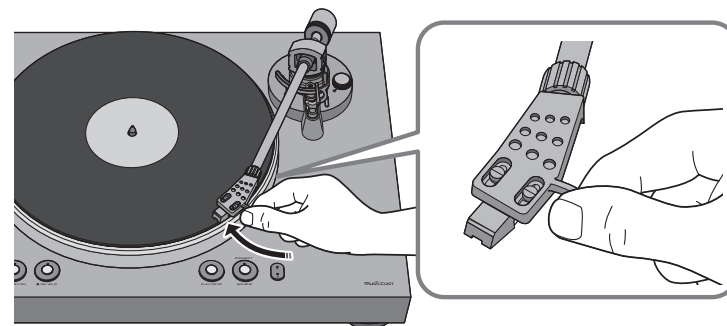
El plato gira.



- 5 Libere el inmovilizador del brazo fonocaptor y levante la palanca elevadora.

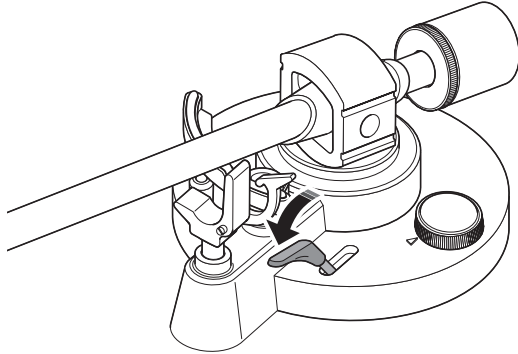


- 6 Mueva el brazo fonocaptor a la posición de reproducción del disco.



7 Baje la palanca elevadora.

El brazo fonocaptor desciende y se inicia la reproducción.



■ Puesta en pausa de la reproducción

Si levanta la palanca elevadora, el brazo fonocaptor se eleva y la reproducción se pone en pausa.

Al bajar la palanca elevadora, la reproducción se reanuda.

■ Detención de la reproducción

- 1 Levante la palanca elevadora.
- 2 Vuelva a colocar el brazo fonocaptor en el soporte del brazo.
- 3 Baje la palanca elevadora.
- 4 Pulse PLAY/STOP (reproducción/parada).
El plato deja de girar.
- 5 Inmovilice el brazo fonocaptor.

NOTA

- ◆ El brazo fonocaptor no se eleva automáticamente cuando el disco termina de reproducirse.
- ◆ Si no va a utilizar la unidad durante cierto tiempo, coloque la cubierta en la aguja para protegerla.

Escucha de radio de Internet

A continuación se explica cómo seleccionar una emisora de radio de Internet usando la aplicación MusicCast CONTROLLER instalada en su dispositivo móvil.

NOTA

- ◆ **Antes de seleccionar una emisora, registre esta unidad con MusicCast.** (⇒ página 21)
- ◆ **Es posible que ciertas emisoras de radio de Internet no estén disponibles en ningún momento o a determinadas horas.**
- ◆ **Esta función utiliza el servicio “airable.Radio”. Este servicio lo proporciona Tune In GmbH.**
- ◆ **Este servicio puede cambiar o finalizar sin previo aviso.**

- 1 **Utilice MusicCast CONTROLLER para seleccionar la habitación en la que se encuentra esta unidad (p. ej., Room 1).**
- 2 **Toque “Net Radio”.**
- 3 **Seleccione la emisora de radio de Internet que desea escuchar.**

Escucha de servicios de transmisión

Puede escuchar un servicio de transmisión usando la aplicación MusicCast CONTROLLER instalada en su dispositivo móvil. Para obtener más información sobre los servicios de transmisión, consulte las explicaciones complementarias acerca de los servicios de transmisión disponibles en su zona. Acceda al sitio de descargas de Yamaha para descargar las explicaciones complementarias. <https://download.yamaha.com/>

NOTA

- ◆ **El servicio está restringido a determinadas zonas.**
- ◆ **Es posible que los servicios compatibles con la unidad no estén disponibles en función de la región en la que se haya comprado la unidad.**
- ◆ **El servicio puede cambiar o finalizar sin previo aviso.**

Reproducción de archivos de música guardados en un servidor multimedia (PC/NAS)

En esta unidad puede reproducir archivos de música guardados en un PC o dispositivo Network Attached Storage (NAS) compatible con DLNA.

NOTA

- ◆ Es posible que el audio se interrumpa mientras se utiliza una conexión de red inalámbrica. En ese caso, utilice una conexión de red por cable. (⇒ página 17)
- ◆ Para obtener información sobre los formatos de archivo que se pueden reproducir con esta unidad, consulte “Dispositivos y formatos de archivo admitidos” (⇒ página 41). Consulte también las especificaciones del dispositivo NAS.

Configuración del uso compartido de medios

Para reproducir en esta unidad música guardada en un PC (o dispositivo NAS), necesita activar el uso compartido de medios entre esta unidad y los otros dispositivos.

■ Para un PC que ejecuta Windows Media Player

El procedimiento de ajuste puede variar dependiendo del PC o de la versión de Windows Media Player. Las siguientes instrucciones utilizan Windows Media Player 12 como ejemplo.

NOTA

- ◆ El método dependerá del ordenador y los ajustes que utilice. Para obtener más información, consulte con el fabricante del ordenador o revise la ayuda de Windows Media Player.

- 1 Inicie Windows Media Player 12 en el PC.
- 2 Seleccione “Transmitir” y luego “Activar la transmisión por secuencias de multimedia”.

- 3 Haga clic en “Activar la transmisión por secuencias de multimedia”.
- 4 Seleccione “Permitido” en la lista desplegable situada junto al nombre de modelo de la unidad.
- 5 Haga clic en “Aceptar” para salir.

■ Para un PC o dispositivo NAS que ejecuta un software de servidor DLNA distinto de Windows Media Player

Consulte el manual de instrucciones del dispositivo o software y configure el uso compartido de medios.

Reproducción de archivos de música

A continuación se explica cómo reproducir usando la aplicación MusicCast CONTROLLER instalada en su dispositivo móvil.

NOTA

- ◆ Registre la unidad como un dispositivo compatible con MusicCast antes de reproducir archivos de música. (⇒ página 21)

- 1 Utilice MusicCast CONTROLLER para seleccionar la habitación en la que se encuentra esta unidad (p. ej., Room 1).
- 2 Toque “Server”.
- 3 Siga las instrucciones en pantalla para seleccionar una canción.

Escucha de música a través de Bluetooth

En esta unidad puede reproducir los archivos de música guardados en un dispositivo Bluetooth (por ejemplo, un smartphone).

NOTA


- ◆ Para usar la funcionalidad Bluetooth, ajuste el interruptor WIRELESS situado en el panel trasero de esta unidad en AUTO. (⇒ página 12)
- ◆ Para obtener información sobre los dispositivos Bluetooth compatibles, consulte “Dispositivos y formatos de archivo admitidos” (⇒ página 41).

1 En el panel superior de esta unidad, pulse SOURCE para cambiar la fuente a Bluetooth.

El indicador de SOURCE se ilumina en azul.

2 En el dispositivo Bluetooth, active la función Bluetooth.

3 En el dispositivo Bluetooth, seleccione esta unidad en la lista de dispositivos disponibles.

Cuando esta unidad se conecta a un dispositivo Bluetooth, el indicador de  (Bluetooth) se ilumina.

NOTA

- ◆ Si se le solicita que introduzca una contraseña, escriba los números “0000”.
- ◆ Si la unidad está registrada como dispositivo MusicCast, el nombre de la habitación aparecerá en la lista de dispositivos disponibles.

4 En el dispositivo Bluetooth, seleccione una canción y comience la reproducción.

NOTA

- ◆ Si la unidad detecta un dispositivo Bluetooth que haya sido conectado anteriormente, se conectará automáticamente a dicho dispositivo Bluetooth después de ejecutar el paso 1. Para establecer otra conexión Bluetooth, finalice primero la conexión Bluetooth actual.
- ◆ Para finalizar una conexión Bluetooth, realice una de las siguientes operaciones:
 - Realice la desconexión desde el dispositivo Bluetooth.
 - Seleccione una opción distinta a “Bluetooth” como fuente para esta unidad.
- ◆ Si activa Bluetooth en espera, esta unidad se enciende automáticamente cuando se realiza una operación de conexión en el dispositivo Bluetooth. (⇒ página 31)

Escucha de música a través de AirPlay

Puede utilizar la función AirPlay para reproducir archivos de música de iTunes o de dispositivos iOS a través de una red.

NOTA

- ◆ Si el dispositivo iOS no reconoce la unidad, compruebe el entorno de red (por ejemplo, el enrutador).
- ◆ Para obtener información sobre los dispositivos iOS compatibles, consulte “Dispositivos y formatos de archivo admitidos” (⇒ página 41).

1 Inicie iTunes o visualice la pantalla de reproducción de música en el dispositivo iOS.

Cuando iTunes o el dispositivo iOS reconocen la unidad, aparece el icono de AirPlay.

Ejemplo (iOS 10)



Ejemplo (iTunes)



2 En iTunes o en el dispositivo iOS, haga clic en (toque) el icono de AirPlay y, a continuación, seleccione esta unidad como el destino de salida para el audio.

3 Seleccione una canción en iTunes o en el dispositivo iOS para comenzar la reproducción.

La fuente de esta unidad cambia automáticamente a red (AirPlay) y se inicia la reproducción.

El indicador de SOURCE se ilumina en rosa.

Uso de MusicCast CONTROLLER para registrar favoritos

Puede registrar hasta 40 elementos de contenido favorito (canciones guardadas en su PC y emisoras de radio de Internet).

- 1 Reproduzca una canción o emisora de radio de Internet que desea registrar.
- 2 En la pantalla de reproducción, toque **•••** y luego toque “Añadir a Favoritos”.



Toque aquí.

■ Recuperación de contenido registrado

- 1 Utilice MusicCast CONTROLLER para seleccionar la habitación en la que se encuentra esta unidad (p. ej., Room 1).
- 2 Toque “Favoritos” y seleccione el contenido que desea reproducir.

Ajustes detallados

Configuración a través de MusicCast CONTROLLER

Puede utilizar MusicCast CONTROLLER para realizar la configuración de distintas funciones.

Ajuste del temporizador para dormir

Esta función ajusta automáticamente la alimentación de esta unidad en el modo de espera una vez transcurrido el tiempo especificado.

Ajustes: Off (predeterminado), 30 min., 60 min., 90 min., 120 min.

NOTA

- ◆ El ajuste de temporizador para dormir se cancela si realiza cualquiera de las acciones siguientes.
 - Establecer la alimentación de esta unidad en el modo de espera.
 - Desenchufar esta unidad de la toma de CA.
 - Cambiar la fuente a PHONO.
- ◆ El temporizador para dormir no se puede utilizar si la fuente está establecida en PHONO.

Activación/desactivación de la reproducción automática

Esta función especifica si las canciones del ordenador (servidor) se reproducirán automáticamente una vez que la fuente se cambie a Server.

Ajustes

Activado (predeterminado): la reproducción automática está activada. Si la unidad mantiene un historial de reproducción, se volverá a reproducir el elemento reproducido por última vez. Si dicho elemento ya no existe, la unidad no lo reproducirá.

Desactivado: la reproducción automática está desactivada.

Activación/desactivación de la espera automática

Esta función ajusta automáticamente la alimentación en el modo de espera una vez transcurrido el tiempo especificado sin que se reproduzca nada ni se realice otra operación.

Ajustes

Desactivado: a espera automática está desactivada.

Activado: la espera automática está activada.

Si esta unidad no ha reproducido nada durante los últimos 20 minutos o no se ha utilizado en las últimas ocho horas, la alimentación cambia automáticamente al modo de espera.

Predeterminado

Modelos de Reino Unido, Europa y Corea: Activado

Otros modelos: Desactivado

NOTA

- ◆ Justo antes de pasar al modo de espera, el indicador de STANDBY/ON (alimentación) parpadea.

Configuración a través de un navegador de Internet

Puede utilizar un navegador de Internet en el ordenador o en otro dispositivo para realizar ajustes para esta unidad y para la conexión de red. A continuación se describe el ajuste de espera.

Conecte esta unidad a la red antes de continuar con las operaciones siguientes. (⇒ páginas 17 y 21)

Acceso a la pantalla de ajustes

A continuación se explica cómo acceder a la pantalla de ajustes en el ordenador.

- 1 **Utilice MusicCast CONTROLLER para averiguar la dirección IP de esta unidad.**
- 2 **Inicie un navegador de Internet en el ordenador.**
- 3 **En la barra de direcciones del navegador de Internet, introduzca la dirección IP que ha encontrado y luego pulse Intro.**

Aparece la pantalla de ajustes.

NOTA

- ◆ No se garantiza que este método funcionará con todos los dispositivos o navegadores.

■ Ajuste de espera

Red en espera

Especifica si la alimentación de esta unidad se puede encender desde un dispositivo de red.

Auto (predeterminado): la red en espera está activada.
Si esta unidad no está conectada a una red, la red en espera se desactiva automáticamente. (La unidad pasa al modo de reposo eco).

On: la red en espera está activada. Este ajuste consumirá más energía que el ajuste "Off".

Off: la red en espera está desactivada. (La unidad pasa al modo de reposo eco).

Bluetooth en espera

Especifica si la alimentación de esta unidad se puede controlar desde el dispositivo Bluetooth. Si este ajuste es "On", la unidad se enciende automáticamente cuando se realiza una operación de conexión en el dispositivo Bluetooth.

On (predeterminado): Bluetooth en espera está activado. (Solo si el ajuste de red en espera es "Auto" u "On").

Off: Bluetooth en espera está desactivado.



Con un diseño de ahorro de energía avanzado, este producto logra un consumo de energía bajo de un máximo de 2 vatios durante el modo de red en espera.



En caso necesario

Actualización del firmware

Se lanzará nuevo firmware con funciones adicionales o mejoras de productos según sea necesario. Puede actualizar el firmware usando la aplicación MusicCast CONTROLLER instalada en su dispositivo móvil.

Cuando haya nuevo firmware disponible, en la pantalla de MusicCast CONTROLLER aparecerá el mensaje “¿Actualizar el nuevo firmware ahora?”.

1 Toque “Sí”.

Se iniciará la actualización del firmware.

Durante la actualización, se muestra una barra de progreso en la pantalla de MusicCast CONTROLLER y el indicador de SOURCE de esta unidad parpadea en azul claro.

Una vez finalizada correctamente la actualización, en la pantalla de MusicCast CONTROLLER se indica “Actualización de firmware completada” y el indicador de SOURCE de esta unidad se ilumina en azul claro.

AVISO

- ◆ Durante la actualización del firmware, no utilice esta unidad ni desconecte el adaptador de CA o el cable de red.

NOTA

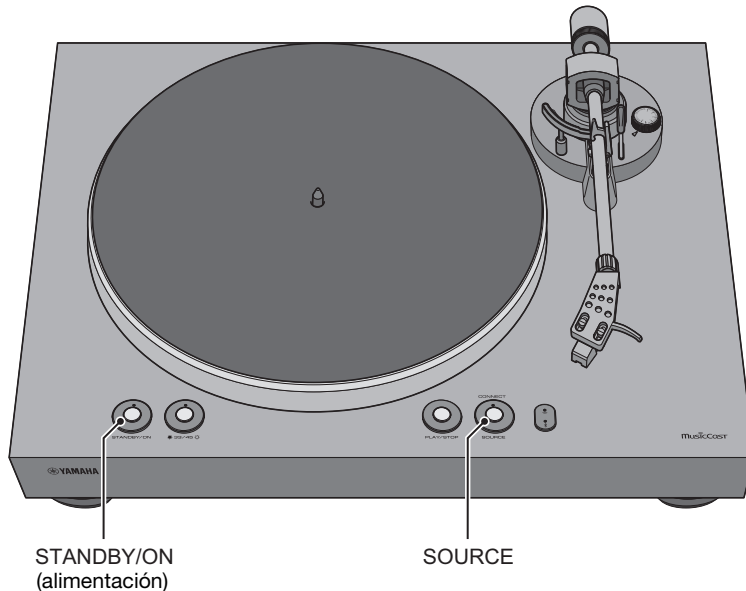
- ◆ Si ha elegido “Más tarde”, toque ⚙ (Ajustes) en MusicCast CONTROLLER y elija “Hay un nuevo firmware disponible”. Actualice el firmware siguiendo las instrucciones en pantalla.
- ◆ Cuando haya nuevo firmware disponible, el indicador de SOURCE también parpadeará en naranja cuando la alimentación de esta unidad esté encendida.
- ◆ Si no utiliza MusicCast CONTROLLER, la actualización del firmware se inicia cuando mantiene pulsado PLAY/STOP (reproducción/parada) y pulsa STANDBY/ON (alimentación) mientras la alimentación de esta unidad está en el modo de espera.
- ◆ Para obtener más información acerca del firmware, consulte el sitio web de Yamaha.

Inicialización de los ajustes

A continuación se explica cómo inicializar los ajustes de esta unidad.

- 1 **Pulse STANDBY/ON (alimentación) para poner la alimentación de esta unidad en el modo de espera.**
- 2 **Mientras mantiene pulsado SOURCE, pulse STANDBY/ON (alimentación) para encender la alimentación de esta unidad.**

Los ajustes se inicializarán.



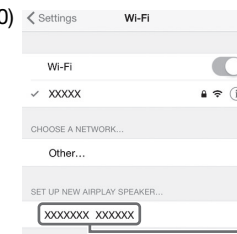
Conexión a una red usando la función WAC

Al encender la alimentación por primera vez tras la compra o la inicialización de la unidad, el indicador de (LAN inalámbrica) parpadeará (excepto cuando la unidad ya esté conectada a la red con un cable o cuando el interruptor de selección de salida de audio esté establecido en PHONO OUT). Mientras parpadea, puede conectarse a la red inalámbrica compartiendo los ajustes de red de su dispositivo iOS (función WAC).

Para utilizar esta función, realice los siguientes pasos.

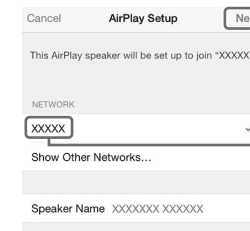
- 1 **En la pantalla Wi-Fi de su dispositivo iOS, seleccione esta unidad como altavoz AirPlay.**

Ejemplo (iOS 10)



Nombre de esta unidad

- 2 **Asegúrese de que en el campo "Network" está seleccionada su red preferida y a continuación toque "Next".**



Toque aquí para iniciar la configuración.

Red seleccionada actualmente

Una vez finalizada la configuración, la unidad se conectará automáticamente a la red seleccionada (punto de acceso).

Cuidados

■ Mantenimiento de esta unidad

Límpiala con un paño suave y seco. No utilice productos químicos como bencina o disolventes, ya que podrían dañar la superficie.

■ Mantenimiento de la aguja para disco

La punta de la aguja para disco es extremadamente delicada. Debe manipularla con cuidado para evitar dañarla. Si se adhiere polvo a la punta de la aguja, utilice un cepillo de punta suave para limpiarla empezando por la base de la aguja y avanzando hacia la punta, o bien utilice un limpiador disponible en el mercado destinado a este fin.

■ Mantenimiento de los discos

Si se adhiere suciedad a un disco puede provocar saltos o ruido. Utilice un limpiador de discos disponible en el mercado para eliminar la suciedad.

Sustitución

Sustitución de la correa

En función de las condiciones de uso, la correa se puede desgastar o romper. En tal caso, sustituya la correa. Para obtener una correa de repuesto, póngase en contacto con su centro Yamaha de atención al cliente o concesionario autorizado más cercano.

- 1 Apague la alimentación de esta unidad y de los dispositivos conectados y desconecte el adaptador de CA de esta unidad de la toma de CA.**
- 2 Retire el tapete de plato del plato.**
- 3 Separe la correa de la polea.**
- 4 Inserte los dedos en el agujero redondo del plato y levántelo.**



ATENCIÓN

- ◆ Evite dejar caer el plato. De lo contrario, se pueden producir lesiones o podría dañar la unidad.

- 5 Dé la vuelta al plato y extraiga la correa.**
- 6 Coloque la correa de repuesto en el plato.**
Evite que la correa se retuerza.
- 7 Coloque el plato en esta unidad.**
Para obtener información sobre la instalación, consulte “Montaje” en la página 13.

Sustitución de la aguja para disco

Cuando la punta de la aguja para disco se desgasta o se estropea, debe sustituirla de inmediato.

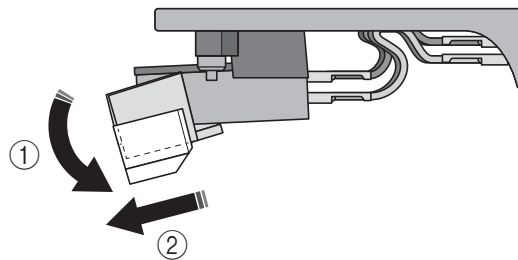
Como aguja de repuesto, compre un recambio de aguja ATN3600L fabricado por Audio-Technica.

⚠ ATENCIÓN

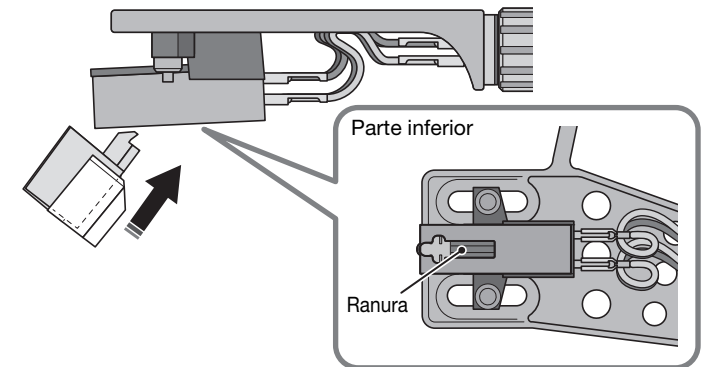
- ◆ Coloque la cubierta de la aguja antes de sustituir la aguja. La punta de la aguja podría herirle o resultar dañada.
- ◆ Evite que los niños ingieran la aguja tras extraerla.

1 Apague la alimentación de esta unidad y de los dispositivos conectados y desconecte el adaptador de CA de esta unidad de la toma de CA.

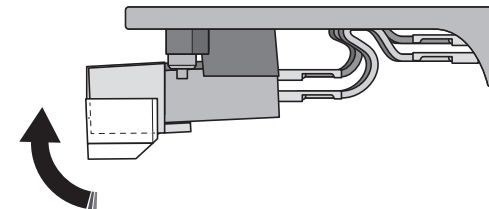
2 Mientras sujeta con los dedos el cuerpo del cartucho, presione la aguja hacia abajo en la dirección de ① y tire de ella en la dirección de ② para extraerla.



3 Mientras sujeta con los dedos el cuerpo del cartucho, inserte la pestaña de la aguja de repuesto en la ranura de la parte inferior del cartucho.



4 Presione la aguja hacia arriba hasta que oiga un chasquido.



Traslado de esta unidad

Al trasladar esta unidad, inmobilice el brazo fonocaptor para evitar que se mueva.

Resolución de problemas

Si la unidad deja de funcionar correctamente, compruebe los siguientes puntos.

Si al realizar la acción correspondiente no se soluciona el problema, o si hay un problema que no aparece en esta lista, pulse el botón STANDBY/ON (alimentación) situado en el panel superior de la unidad para apagar la alimentación, desconecte el cable de alimentación y póngase en contacto con su centro Yamaha de atención al cliente o concesionario autorizado más cercano.

General

Problema	Causa	Acción	Página de referencia
Al pulsar STANDBY/ON (alimentación) no se enciende la alimentación.	El adaptador de CA se ha desconectado de la toma DC IN de esta unidad o de la toma de CA, o no está bien enchufado.	Enchufe bien el adaptador de CA en la toma DC IN de esta unidad y en la toma de CA.	16
Al pulsar STANDBY/ON (alimentación), el indicador de STANDBY/ON (alimentación) parpadea y la alimentación no se enciende.	El circuito de protección ha funcionado tres veces consecutivas.	Para proteger la unidad, la alimentación no se volverá a encender. Póngase en contacto con un centro Yamaha de atención al cliente para reparar la unidad.	—
Al pulsar SOURCE no se cambia la fuente.	El interruptor de selección de salida de audio está establecido en PHONO OUT.	Establezca el interruptor de selección de salida de audio en LINE OUT.	12
El plato no gira.	La correa no está colocada correctamente en el plato y la polea, o bien la correa se ha soltado.	Acople correctamente la correa en el plato y la polea.	13
	STANDBY/ON (alimentación) no está encendido.	Encienda STANDBY/ON (alimentación).	20
No se escucha sonido.	El cabezal de la aguja no está acoplado correctamente en el brazo fonocaptor.	Acople correctamente el cabezal de la aguja al brazo fonocaptor.	14
	El cable estéreo RCA no se ha conectado correctamente.	Conecte correctamente el cable estéreo RCA.	16
	El ajuste de silencio del amplificador está activado.	Desactive el ajuste de silencio del amplificador.	—
	El interruptor de selección de salida de audio de esta unidad se ha ajustado de forma incorrecta.	Ajuste correctamente el interruptor de selección de salida de audio para el dispositivo conectado.	16

Problema	Causa	Acción	Página de referencia
El volumen es demasiado débil o demasiado fuerte.	El ajuste de cartucho del amplificador o del ecualizador del giradiscos es incorrecto.	Establezca correctamente el ajuste de cartucho del amplificador o del ecualizador del giradiscos para el tipo de cartucho que utilice (MM o MC).	—
	El interruptor de selección de salida de audio se ha ajustado de forma incorrecta.	Ajuste correctamente el interruptor de selección de salida de audio para el dispositivo conectado.	16
Hay un problema con el equilibrio izquierdo/derecho del sonido.	La unidad está inclinada.	Coloque la unidad en una superficie plana.	—
La velocidad de reproducción es incorrecta.	El ajuste de velocidad es incorrecto.	Establezca correctamente el ajuste de 33/45 (velocidad). Esta unidad no admite la reproducción de discos SP (78 rpm).	10
Se oye un zumbido.	El cable estéreo RCA no se ha conectado correctamente.	Conecte correctamente el cable estéreo RCA.	16
	El cabezal de la aguja no está bien fijado al brazo fonocaptor.	Utilice la contratuerca para fijar bien el cabezal de la aguja al brazo fonocaptor.	14
Se producen saltos. Se oye ruido. El sonido se distorsiona.	La presión de aguja no se ha ajustado correctamente.	Ajuste las marcas del contrapeso a la presión de aguja especificada para el cartucho.	18
	El disco está rayado o combado.	No utilice discos rayados o combados.	—
	El disco está sucio.	Utilice un limpiador de discos disponible en el mercado para limpiar el disco.	—
	El disco tiene carga estática.	Utilice un cepillo antiestático para eliminar la carga estática.	—
	La aguja está sucia.	Limpie la suciedad de la aguja.	34
	La aguja está desgastada.	Sustituya la aguja.	35
	La unidad está colocada en una ubicación sometida a vibraciones.	Coloque la unidad en una superficie plana no sometida a vibraciones.	—
Se produce retroalimentación.	La unidad está demasiado cerca de los altavoces.	Aleje la unidad de los altavoces.	—
	El volumen de reproducción es demasiado alto.	Ajuste el volumen del amplificador.	—

Bluetooth

Problema	Causa	Acción	Página de referencia
No se puede emparejar la unidad con el dispositivo Bluetooth.	El interruptor WIRELESS situado en el panel trasero de esta unidad está en la posición OFF.	Ajuste el interruptor WIRELESS situado en el panel trasero de esta unidad en AUTO.	12
	El interruptor de selección de salida de audio de esta unidad está establecido en PHONO OUT.	Establezca el interruptor de selección de salida de audio de esta unidad en LINE OUT.	12
	Ya hay otro dispositivo Bluetooth conectado a esta unidad.	Desempareje el dispositivo Bluetooth conectado en ese momento y empareje el dispositivo Bluetooth que desee.	28
	La unidad y el dispositivo Bluetooth están demasiado alejados entre sí.	Acerque el dispositivo Bluetooth a la unidad.	—
	La comunicación inalámbrica recibe interferencias de un dispositivo que utiliza una banda de frecuencia de 2,4 GHz (p. ej., horno microondas o LAN inalámbrica).	Aleje esta unidad o el dispositivo Bluetooth de dichos dispositivos. Si el enrutador LAN inalámbrico admite la banda de frecuencia de 5 GHz, cambie a una conexión que utilice dicha banda.	—
	Su dispositivo Bluetooth no es compatible con el protocolo A2DP.	Utilice un dispositivo Bluetooth que sea compatible con el protocolo A2DP.	—
	Es posible que el perfil de conexión registrado en el dispositivo Bluetooth no esté funcionando correctamente por alguna razón.	Borre el perfil Bluetooth en el dispositivo Bluetooth y, a continuación, vuelva a conectar el dispositivo Bluetooth a esta unidad.	—
	La clave de acceso de los dispositivos, como por ejemplo un adaptador Bluetooth, que desea emparejar con esta unidad es diferente de "0000".	Utilice un dispositivo de conexión con una clave de acceso "0000".	—
	El nivel de volumen del dispositivo Bluetooth es demasiado bajo.	Aumente el nivel de volumen del dispositivo Bluetooth.	—
	El dispositivo Bluetooth no se ha ajustado para enviar señales de audio a esta unidad.	En el dispositivo Bluetooth, seleccione esta unidad como el destino de salida de audio.	28
No se escucha sonido o el sonido se corta intermitentemente.	La conexión Bluetooth ha finalizado.	Vuelva a realizar las operaciones de conexión Bluetooth.	28
	La unidad y el dispositivo Bluetooth están demasiado alejados entre sí.	Acerque el dispositivo Bluetooth a la unidad.	—
	La comunicación inalámbrica recibe interferencias de un dispositivo que utiliza una banda de frecuencia de 2,4 GHz (p. ej., horno microondas o LAN inalámbrica).	Aleje esta unidad o el dispositivo Bluetooth de dichos dispositivos. Si el enrutador LAN inalámbrico admite la banda de frecuencia de 5 GHz, cambie a una conexión que utilice dicha banda.	—

Red

Problema	Causa	Acción	Página de referencia
No se puede utilizar la función de red.	Los parámetros de red (dirección IP) no se han obtenido correctamente.	Active la función del servidor DHCP en el enrutador.	—
	El interruptor de selección de salida de audio de esta unidad está establecido en PHONO OUT.	Establezca el interruptor de selección de salida de audio de esta unidad en LINE OUT.	12
	El interruptor WIRELESS situado en el panel trasero de esta unidad está en la posición OFF.	Ajuste el interruptor WIRELESS situado en el panel trasero de esta unidad en AUTO.	12
	Está intentando conectarse a un enrutador de tipo IPv6.	Esta unidad no es compatible con redes IPv6. Conéctela a una red IPv4.	—
La unidad no puede conectarse a Internet a través de un enrutador LAN inalámbrico (punto de acceso).	El enrutador LAN inalámbrico (punto de acceso) está apagado.	Encienda el enrutador LAN inalámbrico (punto de acceso).	—
	La unidad y el enrutador LAN inalámbrico (punto de acceso) están demasiado separados.	Coloque la unidad y el enrutador LAN inalámbrico (punto de acceso) cerca entre sí.	—
	Hay un obstáculo entre la unidad y el enrutador LAN inalámbrico (punto de acceso).	Retire el obstáculo que existe entre esta unidad y el enrutador LAN inalámbrico (punto de acceso).	—
No se puede usar la red inalámbrica.	Puede haber cerca un dispositivo emitiendo ondas electromagnéticas (como un horno microondas, un dispositivo inalámbrico, etc.).	Cuando conecte la unidad de forma inalámbrica, no la utilice cerca de dispositivos que emitan ondas electromagnéticas.	—
	El acceso a la red está restringido por los ajustes de firewall del enrutador LAN inalámbrico (punto de acceso).	Compruebe los ajustes de firewall del enrutador LAN inalámbrico (punto de acceso).	—
No se puede detectar el ordenador (servidor).	Es posible que los ajustes de uso compartido de medios del PC (o servidor) sean incorrectos.	Modifique los ajustes de uso compartido de medios para que la unidad pueda acceder a las carpetas del PC (o servidor).	—
	El acceso está restringido a causa de los ajustes de seguridad del PC (o servidor) o del enrutador.	Compruebe los ajustes de seguridad del PC (o servidor) o del enrutador.	—
	La unidad y el PC no están conectados a la misma red.	Compruebe los ajustes de conexión de la red y del enrutador para confirmar que están conectados a la misma red.	—

Problema	Causa	Acción	Página de referencia
Los archivos del PC (o servidor) no se muestran (o no se reproducen).	La unidad o el PC (o servidor) no admiten el formato de archivo.	Asegúrese de utilizar un formato de archivo que admita la unidad y el PC.	41
No se puede reproducir la radio de Internet.	La emisora de radio de Internet seleccionada está fuera de servicio actualmente.	Es posible que haya un problema de red en la emisora de radio o que se haya detenido el servicio de transmisión. Intente reproducir la emisora más tarde o seleccione otra emisora.	—
	La emisora de radio seleccionada en ese momento emite silencio.	Algunas emisoras de radio de Internet emiten silencio a horas del día concretas. En este caso, no existe un problema de recepción, pero no se emitirá audio. Intente reproducir la emisora más tarde o seleccione otra emisora.	—
	El acceso a esta red está restringido por los ajustes de firewall de los dispositivos de red (como el enrutador).	Compruebe los ajustes de firewall de los dispositivos. La radio de Internet solo puede reproducirse a través del puerto designado por cada emisora de radio. El número del puerto varía según la emisora de radio.	—
El dispositivo iOS no detecta la unidad cuando se utiliza AirPlay.	Es posible que esté utilizando un enrutador que admita varios SSID.	La función de separador de red del enrutador puede estar bloqueando el acceso a la unidad. Si va a conectar un dispositivo iOS a la unidad, utilice un SSID que permita el acceso a la unidad. (Intente conectarse al SSID principal).	—
La unidad no se detecta cuando se utiliza una aplicación específica en un dispositivo móvil.	La unidad y el dispositivo móvil no se encuentran en la misma red.	Compruebe los ajustes de conexión de la red y del enrutador para confirmar que están conectados a la misma red.	—
	Es posible que esté utilizando un enrutador que admita varios SSID.	La función de separador de red del enrutador puede estar bloqueando el acceso a la unidad. Si va a conectar un dispositivo iOS a la unidad, utilice un SSID que permita el acceso a la unidad. (Intente conectarse al SSID principal).	—
El firmware de esta unidad no ha podido actualizarse.	Puede que la conexión de red no sea buena.	Intente de nuevo la actualización dentro de un rato.	32
La unidad no puede conectarse al enrutador LAN inalámbrico (punto de acceso).	Es posible que esté activado el filtrado de direcciones MAC en el enrutador LAN inalámbrico (punto de acceso).	Esta unidad no puede conectarse al enrutador si el filtrado de direcciones MAC está activado. Cambie el ajuste del enrutador LAN inalámbrico (punto de acceso) para intentar conectar la unidad otra vez.	—

Dispositivos y formatos de archivo admitidos

Los dispositivos y formatos de archivo indicados a continuación pueden utilizarse con esta unidad.

Dispositivos admitidos

■ Dispositivos Bluetooth

- ◆ Puede utilizar dispositivos Bluetooth que sean compatibles con el protocolo A2DP.
- ◆ Yamaha no garantiza las conexiones con todos los dispositivos Bluetooth.

■ AirPlay

AirPlay funciona con los iPhone, iPad y iPod touch con iOS 4.3.3 o versiones posteriores, Mac con OS X Mountain Lion o versiones posteriores, y PC con iTunes 10.2.2 o versiones posteriores.

Modelos compatibles (a julio de 2018)

Made for.

iPhone X, iPhone 8 Plus, iPhone 8, iPhone 7 Plus, iPhone 7, iPhone SE, iPhone 6s Plus, iPhone 6s, iPhone 6 Plus, iPhone 6, iPhone 5s, iPhone 5c, iPhone 5, iPhone 4s

iPad Pro (10,5"), iPad Pro (12,9") 2.ª generación, iPad Pro (12,9") 1.ª generación, iPad Pro (9,7"), iPad mini 4, iPad Air 2, iPad mini 3, iPad Air, iPad mini 2, iPad mini, iPad (5.ª generación), iPad (4.ª generación), iPad (3.ª generación), iPad 2

iPod touch (6.ª generación), iPod touch (5.ª generación)

Formatos de archivo

■ PC/NAS

Archivo	Frecuencia de muestreo (kHz)	Profundidad de bits (bit)	Velocidad de bits (kbps)	Número de canales	Compatibilidad con reproducción sin pausa
WAV *	32/44,1/48/ 88,2/96/ 176,4/192	16/24	-	2	✓
MP3	32/44,1/48	-	8-320	2	-
WMA	32/44,1/48	-	8-320	2	-
MPEG-4 AAC	32/44,1/48	-	8-320	2	-
FLAC	32/44,1/48/ 88,2/96/ 176,4/192	16/24	-	2	✓
ALAC	32/44,1/48/ 88,2/96	16/24	-	2	✓
AIFF	32/44,1/48/ 88,2/96/ 176,4/192	16/24	-	2	✓
DSD	2,8 MHz/ 5,6 MHz 11,2 MHz	1	-	2	-

* Solo formato PCM lineal

- ◆ Para reproducir archivos FLAC almacenados en un PC/NAS, debe instalar en el PC software de servidor que admita el uso compartido de archivos FLAC a través de DLNA o usar un dispositivo NAS compatible con archivos FLAC. Para obtener más información, consulte el manual de instrucciones del software de servidor.
- ◆ No se puede reproducir contenido codificado con gestión de derechos digitales (DRM).

Marcas comerciales



El uso del distintivo Works with Apple significa que un accesorio ha sido diseñado específicamente para funcionar con la tecnología identificada en el distintivo, y que el desarrollador ha certificado que cumple con los estándares de rendimiento de Apple.

Apple, iPad, iPad Air, iPad Pro, iPhone y iTunes son marcas comerciales de Apple Inc., registradas en Estados Unidos y en otros países.

App Store es una marca de servicio de Apple Inc.

Windows™

Windows es una marca comercial registrada de Microsoft Corporation en los EE. UU. y en otros países.

Internet Explorer, Windows Media Audio y Windows Media Player son marcas comerciales registradas o marcas comerciales de Microsoft Corporation en los Estados Unidos o en otros países.

Android™ Google Play™

Android y Google Play son marcas comerciales de Google Inc.



El logotipo Wi-Fi CERTIFIED™ es una marca de certificación de Wi-Fi Alliance®.

Wi-Fi, Wi-Fi CERTIFIED y Wi-Fi Protected Setup son marcas comerciales registradas o marcas comerciales de Wi-Fi Alliance®.



Los logotipos y marca denominativa de Bluetooth® son marcas comerciales registradas propiedad de Bluetooth SIG, Inc. y cualquier uso de estas marcas por parte de Yamaha Corporation se efectúa con licencia.

El resto de marcas comerciales y nombres comerciales corresponden a sus respectivos propietarios.



La ecoetiqueta Yamaha Eco-Label certifica los productos que presentan un nivel superior de respeto por el medio ambiente.



MusicCast es una marca comercial o marca comercial registrada de Yamaha Corporation.

Explicaciones respecto a GPL/LGPL

Este producto utiliza software de código abierto GPL/LGPL en algunas secciones. Solamente tiene el derecho de obtener, duplicar, modificar y redistribuir el código abierto. Para información sobre el software de código abierto GPL/LGPL, cómo obtenerlo, y la licencia de GPL/LGPL, consulte la Yamaha Corporation página web:

<https://download.yamaha.com/sourcecodes/musiccast/>

Licencias

Para obtener información sobre las licencias del software de terceros de este producto, consulte lo siguiente.

[http://\(dirección IP de este producto*\)/licenses.html](http://(dirección IP de este producto*)/licenses.html)
* La dirección IP de este producto se comprueba con MusicCast CONTROLLER.

Especificaciones

A continuación se describen las especificaciones de esta unidad.

Sección de plato

Método de impulsión	Impulsado por banda elástica
Motor.	Motor de CC
Velocidad de rotación	33 1/3 rpm, 45 rpm
Variación de velocidad de rotación.	±2%
Fluctuación y trémolo.0,2%
Plato	Fundición de aluminio Diámetro: 30 cm

Sección de brazo fonocaptor

Tipo	Brazo fonocaptor recto de equilibrio estático
Longitud de brazo efectiva.	223,5 mm
Rango de ajuste de presión de aguja.	0–4 g
Peso de cartucho aceptable	15,5–19 g (incluido el cabezal de la aguja)
Proyección.	19 mm

Sección de cartucho

Tipo	Tipo MM
Tensión de salida.	2,5 mV (1 kHz, 3,54 cm/s)
Presión de aguja	3,5 ± 0,5 g
Peso del cartucho	5,0 ± 0,3 g
Altura del cartucho.	17,0 ± 0,7 mm
Peso del cabezal de la aguja	10 g (incluyendo tornillos, tuercas y cables)

Terminales de entrada/salida

Audio analógico (RCA sin balancear)
PHONO OUT×1
LINE OUT×1
NETWORK (red con cable) x1 (100Base-TX/10Base-T)

Bluetooth

Función de vinculación	
Dispositivo fuente a esta unidad (p. ej., Smartphone/Tablet)	
Códec admitido	SBC, AAC
Perfil admitido.	A2DP, AVRCP
Versión de Bluetooth	Ver. 4.2
Salida inalámbrica.	Bluetooth Clase 2
Distancia de comunicación máxima	10 m sin interferencias

Red

Compatible con AirPlay
Radio de Internet

Red inalámbrica

Estándares de red inalámbrica	IEEE 802.11 a/b/g/n/ac*
	* Ancho de banda del canal de 20 MHz solamente
Banda de frecuencia de radio	2,4 GHz, 5 GHz
WPS (Wi-Fi Protected Setup)	
Método PIN	
Métodos de seguridad disponibles	
WEP	
WPA2-PSK (AES)	
Mixed Mode (método mixto)	

Sección de audio (Red, Bluetooth)

Nivel de salida (1 kHz, 0 dB, Fs 44,1 kHz)	2,0 ± 0,3 V
Relación señal a ruido (red IHF-A) (cero a infinito, Fs 44,1 kHz)	
.	110 dB o superior
Rango dinámico (1 kHz, -60 dB, Fs 44,1 kHz)	100 dB o superior
Distorsión armónica (1 kHz, 0 dB, Fs 44,1 kHz)	0,003% o inferior
Respuesta de frecuencia	
Fs 44,1 kHz	2 Hz-20 kHz (+0/-3 dB)
Fs 48 kHz	2 Hz-24 kHz (+0/-3 dB)
Fs 96 kHz	2 Hz-48 kHz (+0/-3 dB)
Fs 192 kHz	2 Hz-96 kHz (+0/-6 dB)

Sección de audio (PHONO)

Nivel de salida	
PHONO OUT (1 kHz, 3,54 cm/s)	2,5 mV ±3 dBV
LINE OUT.	450 mV (-7 dBV)
Relación señal a ruido (ponderación A, 20 kHz LPF)	67 dB o superior

General

Alimentación de adaptador de CA	
Entrada	100-240 V CA 50/60 Hz
Salida	12 V 1 A
Consumo eléctrico	6 W
Reposo eco	0,3 W
Red en espera activada/Bluetooth en espera desactivado	
Por cable	1,4 W
Inalámbrica (Wi-Fi)	1,8 W
Red en espera activada/Bluetooth en espera activado	
Por cable	1,6 W
Inalámbrica (Wi-Fi)	1,8 W
Peso.	5,7 kg
Dimensiones (ancho × alto × profundo)	450 × 136 × 368 mm
	(incluidos patas y salientes)

- ♦ El contenido de este manual se aplica a las últimas especificaciones según la fecha de publicación. Para obtener el último manual, acceda al sitio web de Yamaha y descargue el archivo del manual.

Dit product is ontworpen voor het luisteren naar audio in een thuisituatie.

VOORZORGSMAATREGELLEN

LEES DIT ZORGVULDIG DOOR VOOR GEBRUIK. VOLG DEZE INSTRUCTIES.

De onderstaande voorzorgsmaatregelen zijn bedoeld om het risico op schade aan de gebruiker en anderen te voorkomen, om schade aan eigendommen te voorkomen en om te zorgen dat de gebruiker dit toestel veilig en op de juiste manier gebruikt. Volg deze instructies.

Bewaar deze handleiding nadat u deze hebt gelezen op een veilige plaats zodat u hem later nog kunt raadplegen.

- Laat het toestel altijd controleren of repareren bij de dealer bij wie u het hebt gekocht of door gekwalificeerd Yamaha-servicepersoneel.
- Yamaha kan niet verantwoordelijk worden gesteld voor persoonlijk letsel of schade aan de producten die wordt veroorzaakt door oneigenlijk gebruik van of modificaties aan het toestel.
- Dit product is bedoeld voor gewone woonhuizen. Gebruik het niet voor toepassingen waarvoor een hoge betrouwbaarheid vereist is, zoals het beheren van levens, gezondheidszorg of eigendommen van hoge waarde.



WAARSCHUWING

Deze inhoud geeft 'risico op ernstig lichamelijk letsel of overlijden' aan.

Stroomvoorziening/netadapter

- Doe niets waardoor het netsnoer beschadigd kan raken.
 - Niet in de buurt van een verwarming plaatsen.
 - Niet extreem buigen vervormen.
 - Niet krassen.
 - Niet onder een zwaar voorwerp leggen.Als u het netsnoer gebruikt terwijl de kernraden van het snoer blootliggen, kan dat een elektrische schok of brand veroorzaken.
- Raak de stekker of het snoer niet aan als er kans op onweer bestaat. Als u zich niet aan deze richtlijnen houdt, kunnen elektrische schokken ontstaan.
- Gebruik dit toestel met de voedingsspanning die erop wordt vermeld. Aansluiting op een incorrect stopcontact kan brand, elektrische schokken of storingen veroorzaken.
- Zorg dat u de meegeleverde netadapter gebruikt. Als u zich niet aan bovenstaande richtlijnen houdt, kan dat leiden tot brand of storingen.
- Controleer de elektrische stekker regelmatig en verwijder al het vuil of stof dat zich erop heeft verzameld. Als u zich niet aan deze richtlijnen

houdt, kan dat leiden tot brand of elektrische schokken.

- Zorg er bij het opstellen van het toestel voor dat het gebruikte stopcontact makkelijk toegankelijk is. Schakel de aan/uit-schakelaar bij storingen of een slechte werking onmiddellijk uit en trek de stekker uit het stopcontact. Ook als de aan/uit-schakelaar is uitgeschakeld, is het toestel niet losgekoppeld van de voedingsbron zolang het netsnoer niet uit het wandstopcontact is gehaald.
- Als u onweer hoort of denkt dat er bliksem op komst is, schakel dan snel het apparaat uit en haal de stekker uit het stopcontact. Als u zich niet aan deze richtlijnen houdt, kan dat leiden tot brand of storingen.
- Als u het toestel gedurende een langere periode niet gebruikt, haal dan de stekker uit het stopcontact. Als u zich niet aan deze richtlijnen houdt, kan dat leiden tot brand of storingen.

Niet demonteren

- U mag dit toestel niet demonteren of aanpassen. Als u zich niet hieraan houdt, kan dat leiden tot brand, elektrische schokken, letsel of storingen. Als u onregelmatigheden opmerkt, laat u het toestel controleren of repareren bij de dealer bij wie u het hebt gekocht of door gekwalificeerd Yamaha-servicepersoneel.

Waarschuwing tegen water

- Stel het toestel niet bloot aan regen en gebruik het niet in de buurt van water of in een vochtige omgeving. Plaats nooit voorwerpen op het toestel (zoals vazen, flessen of glazen) die vloeistof bevatten die de openingen kunnen binnendringen en plaats het toestel niet op een plaats waar water kan vallen. Als er een vloeistof, zoals water, in het toestel komt, kan dat brand, elektrische schokken of storingen veroorzaken. Als er een vloeistof, zoals water, in het apparaat terecht komt, zet dan onmiddellijk het instrument uit en haal de stekker uit het stopcontact. Laat het toestel vervolgens controleren bij de dealer bij wie u het hebt gekocht of door gekwalificeerd Yamaha-servicepersoneel.
- Haal nooit een stekker uit en steek nooit een stekker in het stopcontact als u natte handen heeft. Raak dit toestel nooit met natte handen aan. Als u zich niet aan deze richtlijnen houdt, kan dat leiden tot elektrische schokken of storingen.

Waarschuwing tegen brand

- Plaats geen brandende voorwerpen of open vuur in de buurt van het toestel. Deze kunnen brand veroorzaken.

Draadloos toestel

- Gebruik dit toestel niet in de buurt van medische apparaten of in medische instellingen. Radiogolven van dit toestel kunnen elektronische medische apparatuur beïnvloeden.

- Gebruik dit toestel niet binnen een afstand van 15 cm van personen met geïmplanteerde hartpacemaker of defibrillator. Radiogolven die afkomstig zijn van dit toestel, kunnen een elektro-medische apparaten zoals geïmplanteerde pacemaker of defibrillator beïnvloeden.

Als u onregelmatigheden opmerkt

- Als zich een van de volgende onregelmatigheden voordoet, schakel het apparaat dan onmiddellijk uit en koppel de stekker los.
 - Het netsnoer/stekker is beschadigd.
 - Het toestel verspreidt een ongebruikelijke geur of er komt rook uit het toestel.
 - Er is materiaal binnen in het toestel gekomen dat er niet in hoort.
 - Er zit een barst in het toestel of het toestel is beschadigd.

Als u het apparaat blijft gebruiken, kan dat elektrische schokken, brand of storingen veroorzaken. Laat het toestel meteen controleren of repareren bij de dealer bij wie u het hebt gekocht of door gekwalificeerd Yamaha-servicepersoneel.

- Zorg dat u dit toestel niet laat vallen en oefen er geen overmatige druk op uit. Als u vermoedt dat het toestel beschadigd is geraakt door een val of stoot, schakelt u het toestel onmiddellijk uit en haalt u de stekker uit het stopcontact. Als u zich niet hieraan houdt, kan dat leiden tot elektrische schokken, brand of storingen. Laat het toestel meteen controleren bij de dealer bij wie u het hebt gekocht of door gekwalificeerd Yamaha-servicepersoneel.



VOORZICHTIG

Deze inhoud geeft 'risico op lichamelijk letsel' aan.

Stroomvoorziening/netadapter

- Bedek de netadapter niet met stof of een deken of wikkel deze erin. Als u zich hier niet aan houdt kan zich warmte ophopen, kunnen vervormingen optreden of kan er brand ontstaan.
- Gebruik geen stopcontact waar de stekker alleen maar losjes in past. Als u zich niet aan deze richtlijnen houdt, kan dat leiden tot brand, elektrische schokken of brandplekken.
- Als u de stekker uit het toestel of het stopcontact haalt, moet u altijd aan de stekker trekken, nooit aan het snoer. Als u aan het snoer trekt, kan het beschadigd raken, wat kan leiden tot elektrische schokken of brand.
- Steek de stekker stevig helemaal in het stopcontact. Als u het toestel gebruikt terwijl de stekker niet goed in het stopcontact zit, kan zich stof verzamelen op het stopcontact, wat brand of brandplekken kan veroorzaken.

Opstelling

- Plaats het toestel niet in een onstabiele positie waardoor dit per ongeluk kan vallen of omvallen en letsel kan veroorzaken.
- Bij de installatie van dit toestel:
 - Bedek het apparaat niet met een doek.
 - Installeer het apparaat niet op een tapijt of vloerkleed.
 - Zorg dat de bovenkant naar boven is gericht; installeer het apparaat niet op een zijkant of ondersteboven.

- Zorg dat de bovenkant naar boven is gericht. Als u zich niet aan deze richtlijnen houdt, kan het toestel storingen gaan vertonen, of vallen en letsel veroorzaken.
- Zet het toestel niet op plaatsen waar het in contact kan komen met corrosieve gassen of zilte lucht, of plaatsen met extreme rook- of dampontwikkeling. Als u dat wel doet, zou dit kunnen leiden tot een defect.
- Blijf uit de buurt van het toestel tijdens een natuurramp, zoals een aardbeving. Het toestel kan kantelen of omvallen en letsel veroorzaken, dus begeef u snel uit de buurt van het toestel en ga naar een veilige plek.
- Schakel voordat u dit toestel verplaatst het toestel uit en koppel alle kabels los. Als u zich hier niet aan houdt, kunnen de kabels beschadigd raken of kunt u of iemand anders erover struikelen en vallen.

Gehoorverlies

- Voordat u het toestel aansluit op andere elektronische componenten, moet u alle betreffende apparatuur uitschakelen. Als u dat niet doet, kan dat leiden tot gehoorverlies, elektrische schokken of beschadiging van apparatuur.
- Wanneer u de netspanning in uw audiosysteem inschakelt, zet u de versterker of receiver altijd als LAATSTE aan om gehoorverlies en schade aan de luidsprekers te voorkomen. Wanneer u de spanning uitschakelt, dient de versterker of receiver om dezelfde reden als EERSTE te worden uitgezet. Als u zich niet aan het bovenstaande houdt, kan dat leiden tot gehoorverlies of beschadiging van de luidsprekers.

Onderhoud

- Haal eerst de stekker uit het stopcontact voordat u het toestel schoonmaakt. Als u zich niet aan deze richtlijnen houdt, kunnen elektrische schokken ontstaan.

Zorgvuldig behandelen

- Houd kleine onderdelen buiten het bereik van kinderen. Uw kinderen kunnen deze per ongeluk inslikken.
- Onthoud u van het volgende:
 - staan of zitten op de apparatuur.
 - zware voorwerpen bovenop de apparatuur plaatsen.
 - de apparatuur in een stapel plaatsen.
 - overmatige kracht uitoefenen op knoppen, schakelaars, ingangen/uitgangen enz.
 - tegen de apparatuur leunen.
- Voorkom letsel en beschadiging van het toestel door niet aan de aangesloten snoeren te trekken, zodat het toestel niet kan vallen.

Let op

Hieronder volgt informatie die u in acht moet nemen om een defect van het product, of beschadigingen, een foutieve werking of gegevensverlies te voorkomen.

Stroomvoorziening/netadapter

- Als u het toestel gedurende een langere periode niet gebruikt, haal dan de stekker uit het stopcontact. Er loopt nog een minimale hoeveelheid stroom door het apparaat als het apparaat is uitgeschakeld (stand-by).

Opstelling

- Gebruik dit toestel niet in de buurt van andere elektronische apparatuur, zoals een tv, radio of mobiele telefoon. Als u zich hier niet aan houdt, kan dit toestel of de tv of radio ruis veroorzaken.
- Gebruik dit toestel niet op een locatie die blootstaat aan direct zonlicht, die zeer warm (zoals bij een verwarming) of zeer koud wordt of die blootstaat aan grote hoeveelheden stof of trillingen. Als u dit niet opvolgt kan het paneel van dit toestel vervormen, kunnen de interne componenten defecten gaan vertonen of kan de werking onstabiel worden.
- Als u een draadloze functie gebruikt, plaats dit toestel dan niet in de buurt van metalen wanden of bureaus, magnetrons of andere apparaten op het draadloze netwerk. De transmissieafstand kan worden verkort door obstakels.

Aansluitingen

- Als u externe apparaten aansluit, lees dan de handleiding voor elk toestel grondig door en sluit de apparaten aan overeenkomstig de instructies. Als u een toestel niet behandelt overeenkomstig de instructies, kunnen storingen ontstaan.

Behandeling

- Plaats geen plastic of rubberen producten op dit toestel. Als u zich hier niet aan houdt, kunnen verkleuringen of vervormingen in het paneel van dit toestel ontstaan.
- Als de omgevingstemperatuur ingrijpend verandert (bijvoorbeeld tijdens het transport van het toestel of bij snelle verwarming of verkoeling) en er mogelijk condensvorming is opgetreden in het toestel, laat u het toestel voor gebruik enkele uren staan zonder het in te schakelen, totdat het helemaal droog is. Als u het toestel gebruikt terwijl er condensatie aanwezig is, kunnen er storingen optreden.

Onderhoud

- Als de temperatuur of vochtigheid plotseling verandert, kunnen zich waterdruppels (condensatie) vormen op het oppervlak van het toestel. Als zich waterdruppels vormen, veeg die dan onmiddellijk weg met een zachte doek. Als er waterdruppels achterblijven op het toestel kunnen die worden geabsorbeerd door de houten onderdelen, waardoor vervorming kan ontstaan.
- Gebruik bij het schoonmaken van het toestel een zachte droge doek. Het gebruik van chemische stoffen als benzine of thinner, reinigingsproducten of chemische schoonmaakdoekjes kan verkleuring of vervorming veroorzaken.

Informatie

Over de inhoud van deze handleiding

- De illustraties en schermen in deze handleiding dienen uitsluitend voor instructiedoeleinden.
- De namen van bedrijven en producten die in deze handleiding worden genoemd, zijn handelsmerken of gedeponeerde handelsmerken van hun respectieve eigenaars.
- Software kan zonder voorafgaande kennisgeving worden gewijzigd of bijgewerkt.

■ Over het naamplaatje op het apparaat

Het modelnummer, het serienummer, de stroomvereisten, enz. worden vermeld op of in de nabijheid van het naamplaatje, dat zich aan de onderzijde van het toestel bevindt. Het is raadzaam dit serienummer in de hieronder gereserveerde ruimte te noteren. Bewaar ook deze handleiding als permanent aankoopbewijs om identificatie in geval van diefstal te vergemakkelijken.

Modelnummer

Serienummer

(bottom_nl_01)

[Model voor Europa]

Draadloze communicatiefuncties

Bluetooth

Radiofrequentie (werkingsfrequentie): 2402 MHz tot 2480 MHz
Maximaal uitgangsvermogen (EIRP): 7,27 dBm

Wi-Fi (2,4 GHz)

Radiofrequentie: 2402 MHz tot 2482 MHz
Maximaal uitgangsvermogen (EIRP): 19,98 dBm

Wi-Fi (5 GHz)

Radiofrequentie, maximaal uitgangsvermogen (EIRP):
5170 tot 5250 MHz, 22,03 dBm
5250 tot 5330MHz, 22,27 dBm
5490 tot 5710MHz, 24,56 dBm
5735 tot 5835MHz, 13,96 dBm

- Apparaten voor draadloze verbinding die over een 5 GHz frequentieband zenden mogen alleen binnenshuis worden gebruikt. Gebruik van dergelijke apparaten buitenshuis is bij de wet verboden.

Informatie over ophalen en weggoaien van oude apparatuur en lege batterijen



Deze symbolen op de apparaten, verpakking en/of meegeleverde documenten betekenen dat gebruikte elektrische en elektronische apparaten en batterijen niet met het gewone huishoudelijke afval mogen worden gemengd.

Voor juist behandelen, hergebruik of recyclen van oude apparatuur en lege batterijen brengt u deze naar de desbetreffende ophaalpunten in overeenstemming met de nationale wetgeving.

Door deze apparatuur en batterijen op de juiste manier weg te gooien, helpt u waardevolle bronnen te sparen en mogelijk negatieve effecten op de gezondheid van de mens en op het milieu te voorkomen, die het gevolg kunnen zijn van niet-aangepaste afvalverwerking.

Voor meer informatie over ophalen en recyclen van oude apparatuur en batterijen neemt u contact op met de lokale overheid, uw afvalophaalmaatschappij of het verkooppunt waar u de items hebt gekocht.



Voor zakelijke gebruikers in de Europese Unie:

Als u elektrische en elektronische apparatuur wilt weggoaien, neemt u voor meer informatie contact op met uw dealer of leverancier.



Informatie over weggoaien in landen buiten de Europese Unie:

Deze symbolen zijn alleen geldig in de Europese Unie. Als u deze items wilt weggoaien, neemt u contact op met de lokale overheid of een lokale dealer en vraagt u om instructies voor het correct weggoaien.

Cd

Opmerking bij het batterijsymbool (de twee onderste voorbeeldsymbolen):

Dit symbool kan in combinatie met een chemisch symbool worden gebruikt. In dat geval wordt voldaan aan de eis uit de batterijrichtlijn van de EU voor de desbetreffende chemische stof.

(weee_battery_eu_nl_02)



Inhoud

Voordat u begint **8**

Wat u met het toestel kunt doen.....	8
Over deze handleiding.....	9
Hanteren van grammofoonplaten.....	9
Controleer de meegeleverde accessoires.....	9
Onderdelen en hun functies	10
Bovenpaneel.....	10
Achterpaneel.....	12

De eerste stappen **13**

Locatie	13
Montage	13
Het toestel in elkaar zetten.....	13
De stofkap bevestigen.....	15
Aansluitingen maken	16
Aansluiten op een versterker.....	16
Een netwerkkabel aansluiten.....	17
Instellingen maken	18
De naalddruk instellen.....	18
De anti-skating instellen.....	20
De stroom inschakelen	20
Over de standby-modi van dit toestel.....	20
Het toestel met het netwerk verbinden	21

Afspelen 23

Naar een grammofoonplaat luisteren	23
Luisteren naar internetradio	26
Naar streamingdiensten luisteren	26
Muziekbestanden afspelen die zijn opgeslagen op een mediaserver (PC/NAS)	27
Instellingen voor het delen van media	27
Muziekbestanden afspelen	27
Via Bluetooth naar muziek luisteren	28
Muziek beluisteren via AirPlay	29
MusicCast CONTROLLER gebruiken om favorieten te registreren	29

Gedetailleerde instellingen 30

Instellingen uitvoeren via MusicCast CONTROLLER	30
De slaaptimer instellen	30
Automatisch afspelen inschakelen/uitschakelen	30
Automatisch standby inschakelen/uitschakelen	30
Instellingen uitvoeren via een webbrowser	31
Het instellingen scherm openen	31

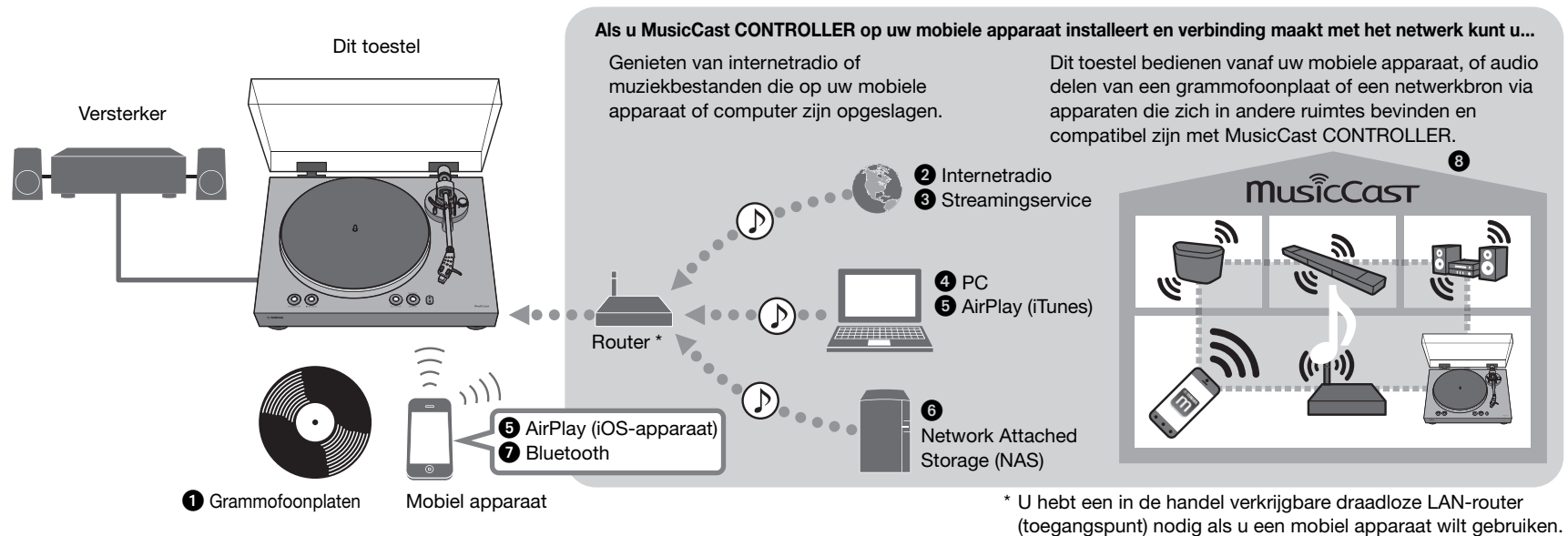
Indien nodig 32

De firmware updaten	32
Initialiseren en instellingen	33
Verbinding maken met een netwerk met behulp van de WAC-functie	33
Onderhoud	34
Vervanging	34
De snaar vervangen	34
De grammofoonnaald vervangen	35
Het toestel verplaatsen	35
Problemen oplossen	36
Algemeen	36
Bluetooth	38
Netwerk	39
Ondersteunde apparaten en bestandsindelingen	41
Ondersteunde apparaten	41
Bestandsindelingen	41
Handelsmerken	42
Technische gegevens	43

Voordat u begint

Wat u met het toestel kunt doen

Dit toestel is een netwerkdraaitafel die naast het afspelen van grammofoonplaten ook het afspelen van netwerkbronnen ondersteunt, zoals mediaservers of mobiele apparaten.



- 1 Grammofoonplaat afspelen (⇒ pagina 23)
- 2 Naar internetradio luisteren (⇒ pagina 26)
- 3 Naar streamingdiensten luisteren (⇒ pagina 26)
- 4 Op uw pc opgeslagen muziekbestanden afspelen (⇒ pagina 27)

- 5 Muziekbestanden met AirPlay afspelen (⇒ pagina 29)
- 6 Muziekbestanden afspelen die zijn opgeslagen op een Network Attached Storage (NAS) (⇒ pagina 27)
- 7 Audiocontent van een Bluetooth-apparaat afspelen (⇒ pagina 28)
- 8 Muziek afspelen met MusicCast CONTROLLER (⇒ pagina 21)

Over deze handleiding

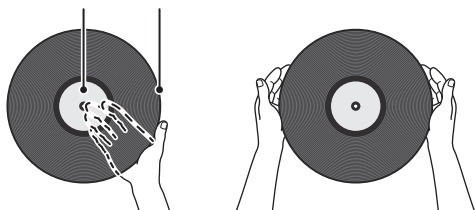
Houd bij het lezen van de handleiding rekening met het volgende.

- ♦ Vanwege productverbeteringen kunnen technische gegevens en uiterlijk zonder kennisgeving worden gewijzigd.
- ♦ In deze handleiding worden, iPhone, iPad en iPod touch collectief aangeduid als “iOS-apparaat”.
- ♦ Deze handleiding gebruikt MusicCast CONTROLLER-schermen die in het Engels worden weergegeven op een iPhone als voorbeeld.
- ♦ Verklaring van grafische symbolen die in deze handleiding worden gebruikt:
 - “**⚠ WAARSCHUWING**” geeft punten aan waarmee u rekening moet houden om fataal of ernstig letsel te voorkomen.
 - “**⚠ VOORZICHTIG**” geeft punten aan waarmee u rekening moet houden om het risico op letsel te voorkomen.
 - **LET OP** geeft punten aan waarmee u rekening moet houden om schade of defecten aan het product te voorkomen.
 - **OPMERKING** geeft extra nuttige informatie aan.

Hanteren van grammfoonplaten

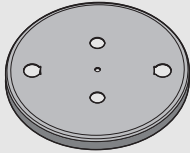
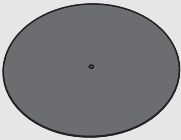
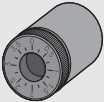
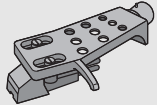
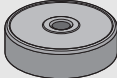
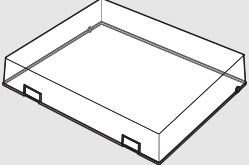
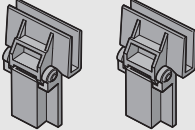
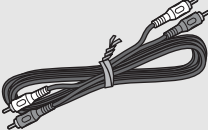
Als u een grammfoonplaat vasthoudt, doet u dit bij het label en de zijkant of u houdt de buitenste randen van de grammfoonplaat vast met twee handen.

Gebied van het label Buitenste rand



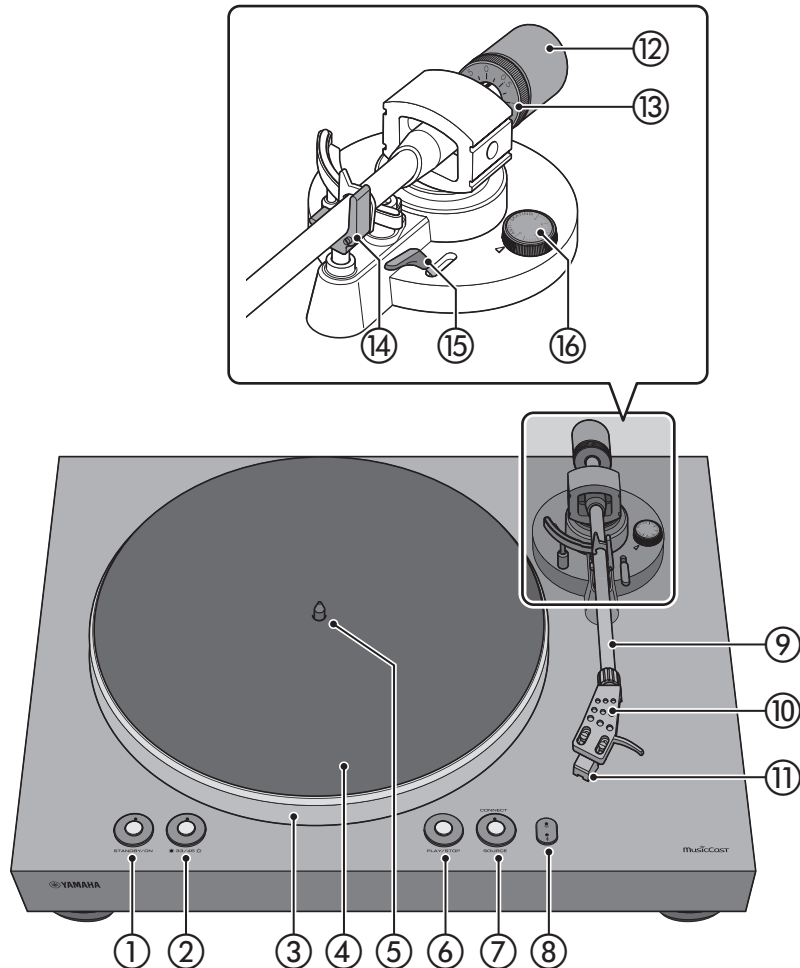
Controleer de meegeleverde accessoires

Controleer of alle onderdelen aanwezig zijn.

<input type="checkbox"/> Draaitafel x1 	<input type="checkbox"/> Draaitafelmat x1 	<input type="checkbox"/> Snaar x1 * De snaar is geïnstalleerd op de draaitafel.
<input type="checkbox"/> Contragewicht x1 	<input type="checkbox"/> Elementkop x1 (met element) 	<input type="checkbox"/> 45 rpm-adaptor x1 
<input type="checkbox"/> Stofkap x1 	<input type="checkbox"/> Stofkapscharnier x2 	<input type="checkbox"/> RCA stereokabel x1 
<input type="checkbox"/> Netadapter x1 * Zie voor meer informatie het meegeleverde “Supplement” (blad).	<input type="checkbox"/> Gebruikershandleiding (deze handleiding) <input type="checkbox"/> Supplement (blad)	

Onderdelen en hun functies

Bovenpaneel



① STANDBY/ON (aan/uit)

Deze schakelt de stroom van het toestel in of op standby (uit).
(⇒ pagina 20)

STANDBY/ON (aan/uit)-indicator

Geeft de status van aan/uit van het apparaat weer.

Brandt: Toestel staat aan

Gedempt: Aan/uit bevindt zich in de netwerk-standby-status
(⇒ pagina 20)

Brandt niet: Aan/uit bevindt zich in de eco standby-status (⇒ pagina 20)

② 33/45 (toerental) (⇒ pagina 24)

Toerentalindicator (⇒ pagina 24)

③ Draaitafel (⇒ pagina 13)

④ Draaitafelmat (⇒ pagina 14)

⑤ Middenpin (⇒ pagina 13)

⑥ PLAY/STOP (afspelen/stoppen) (⇒ pagina 24)

Start en stopt de draaitafel.

OPMERKING

- ◆ Als de bron (audiobron) netwerk of Bluetooth is, start/stopt dit de netwerkbron.

⑦ SOURCE

Selecteert de bron (audiobron) voor dit toestel. Elke keer als u dit indrukt, verandert de bron in de volgorde PHONO, netwerk en Bluetooth.

OPMERKING

- ◆ De bron kan worden overgeschakeld als de keuzeschakelaar voor de audio-uitgang op het achterpaneel is ingesteld op LINE OUT.

SOURCE-indicator

De kleur van de indicator verandert, afhankelijk van de bron.

Bron	Kleur indicator
PHONO	Wit
netwerk (AirPlay)	Roze
netwerk (anders dan AirPlay)	Groen
Bluetooth	Blauw

OPMERKING

- ◆ Als er nieuwe firmware wordt aangeboden, knippert de indicator oranje. (⇒ pagina 32)

CONNECT

Gebruik dit bij MusicCast CONTROLLER om instellingen voor netwerkverbindingen te maken. (⇒ pagina 21)

⑧  Indicator (draadloos lokaal netwerk)

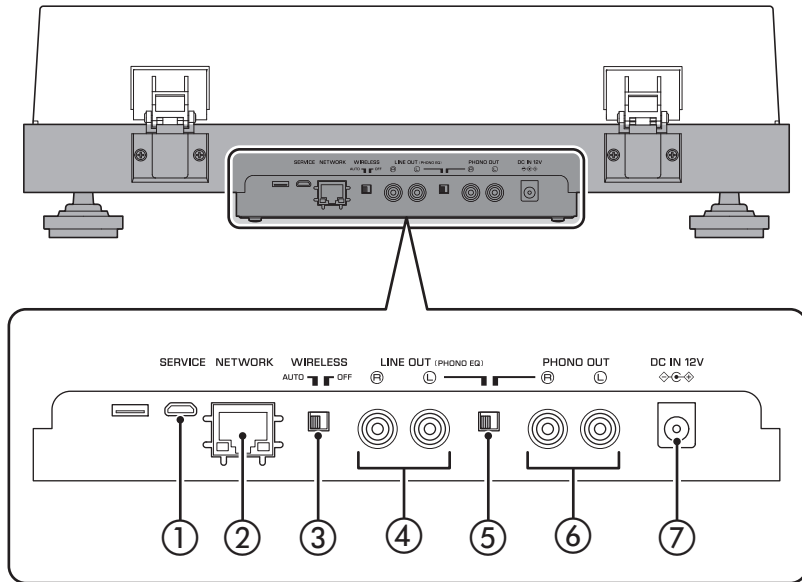
Brandt als dit toestel draadloos contact maakt. (⇒ pagina 21)

 (Bluetooth) indicator

Brandt als dit toestel verbinding maakt met een Bluetooth-apparaat. (⇒ pagina 28)

⑨ Draaitafelarm (⇒ pagina 14)**⑩ Elementkop (⇒ pagina 14)****⑪ Element****⑫ Contragewicht (⇒ pagina 19)****⑬ Contraring (⇒ pagina 19)****⑭ Armsteun (⇒ pagina 18)****⑮ Armlift (⇒ pagina 24)****⑯ Anti-skating (⇒ pagina 20)**

Achterpaneel



① SERVICE-aansluiting

Deze aansluiting dient alleen voor servicedoeleinden. Normaal wordt deze niet gebruikt.

② NETWORK-aansluiting

Gebruik een LAN-kabel (in de handel verkrijgbaar) om verbinding te maken met het netwerk.

③ WIRELESS-schakelaar

Schakelt de draadloze functionaliteit (inclusief Bluetooth) van dit toestel in of uit.

AUTO (standaard): Draadloze functionaliteit is ingeschakeld.

OFF: Draadloze functionaliteit is uitgeschakeld.

④ LINE OUT-aansluitingen

Verzendt de afgespeelde audio van de grammofoonplaat of de netwerkbron. (⇒ pagina 16)

⑤ Selectieschakelaar audio-uitgang

Schakelt de audio-uitgang om. (⇒ pagina 16)

LINE OUT (standaard): Het signaal van het element wordt versterkt door de phono-equalizer in dit toestel en wordt verzonden via de LINE OUT-aansluitingen.

PHONO OUT: Het signaal van het element wordt direct verzonden via de PHONO OUT-aansluitingen.

⑥ PHONO OUT-aansluitingen

Deze aansluitingen verzenden de afgespeelde audio van de grammofoonplaat. (⇒ pagina 17)

⑦ DC IN-aansluiting

Sluit de netadapter (meegeleverd) hierop aan. (⇒ pagina 16)

De eerste stappen

Locatie

Omdat afspelen van grammofoonplaten snel wordt beïnvloed door trillingen moet het toestel op een horizontale locatie worden geplaatst die niet gevoelig is voor vibraties. Plaats het toestel ver weg van het luidsprekersysteem, zodat het niet wordt beïnvloed door geluidsdruk of vibraties.

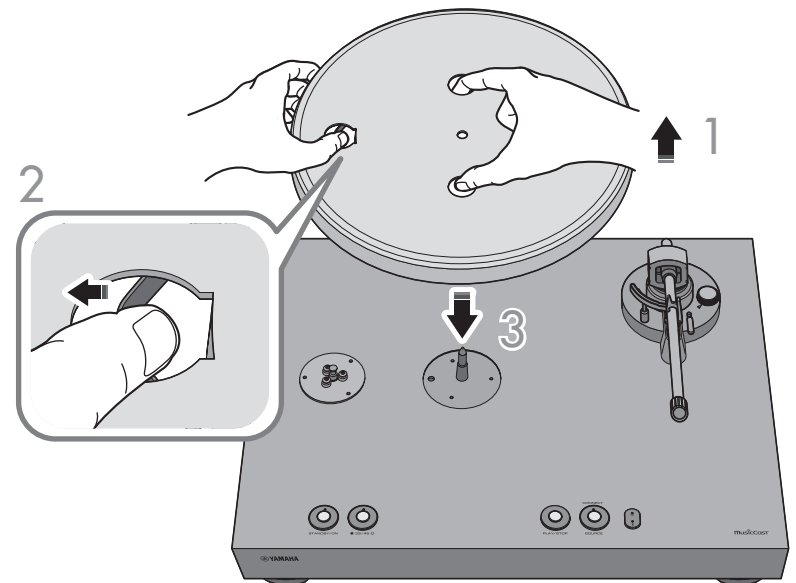
Montage

Het toestel in elkaar zetten

- 1 Til de draaitafel op.
- 2 Steek uw vinger door de ronde opening in de draaitafel, pak de snaar met uw vinger en trek deze naar buiten.
- 3 Plaats de draaitafel op de middenpin.

VOORZICHTIG

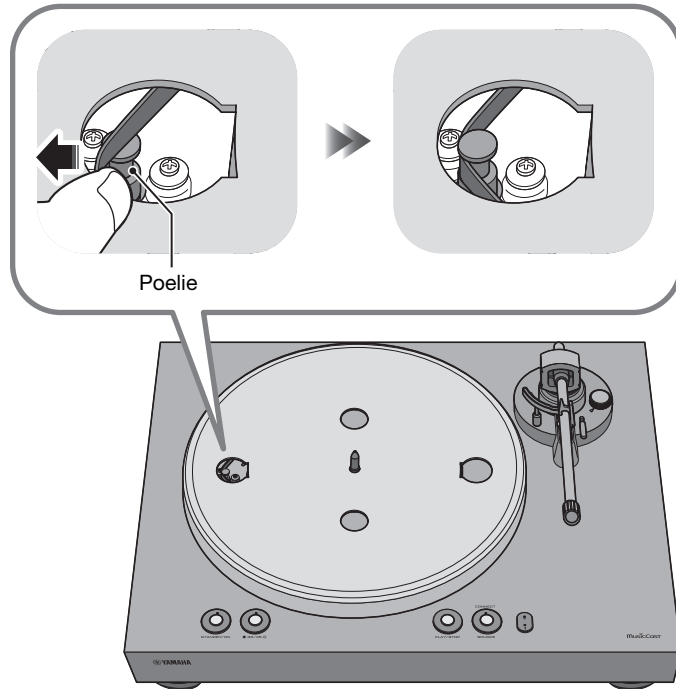
- ◆ Zorg dat u de draaitafel niet laat vallen. Vallen kan persoonlijk letsel of schade aan het toestel veroorzaken.



4 Plaats de ronde opening van de draaitafel boven de poelie.

5 Leg de snaar met uw vinger om de poelie.

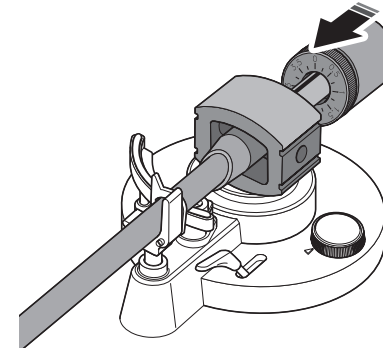
Zorg dat de snaar niet gedraaid is. Draai na het bevestigen van de snaar om de poelie de draaitafel verschillende keren rond om ervoor te zorgen dat de snaar goed op zijn plaats zit.



6 Plaats de draaitafelmat op de draaitafel.

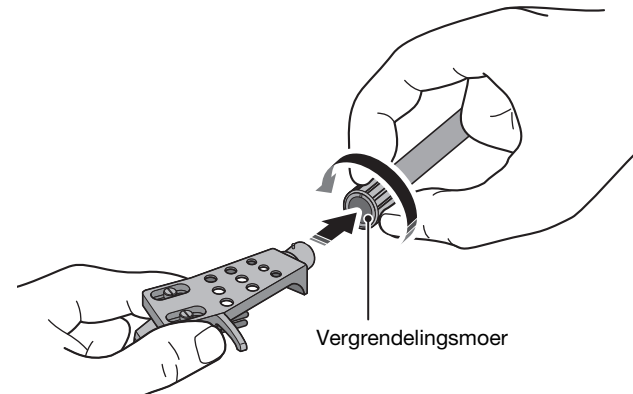
7 Bevestig het contragewicht aan de draaitafelarm.

Schuif het contragewicht met de markeringen naar u toe achterop de draaitafelarm.



8 Bevestig de elementkop op de draaitafelarm.

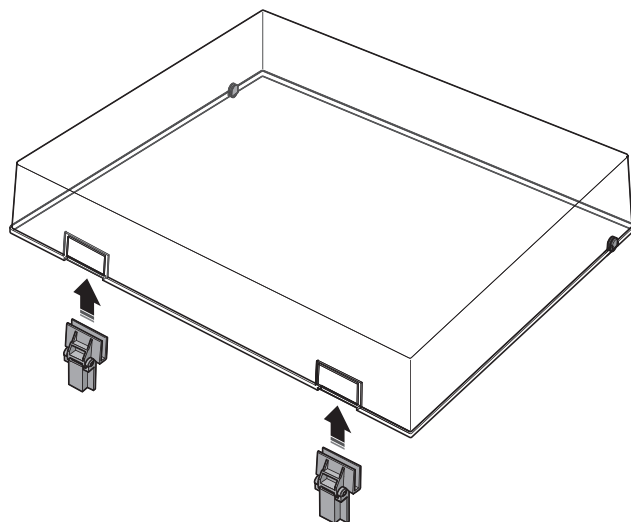
Plaats de elementkop op de voorzijde van de draaitafelarm en draai aan de vergrendelingsmoer om deze vast te zetten.



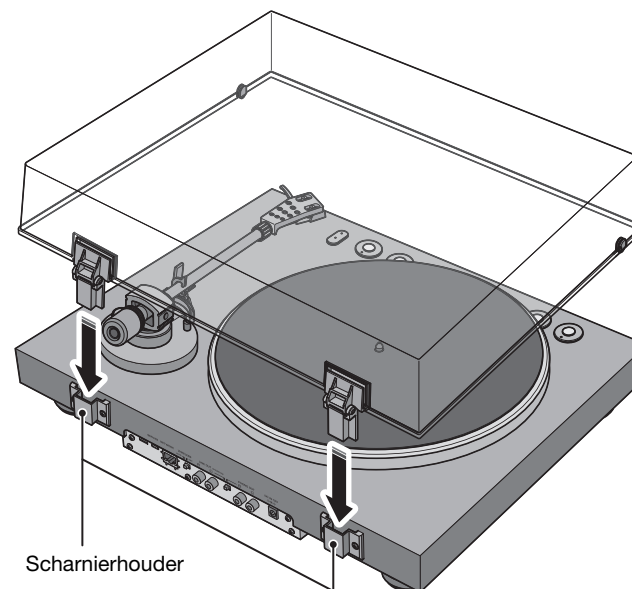
De stofkap bevestigen

De stofkap beschermt dit toestel tegen stof en andere verontreinigingen.

- 1 Plaats de scharnieren in de daarvoor bestemde openingen aan de zijkant van de stofkap.



- 2 Bevestig de stofkap door de scharnieren in de scharnieropeningen aan het achterpaneel van het toestel te schuiven.



OPMERKING

- ◆ Pak de zijkanten van de stofkap beet en schuif deze langzaam omhoog om de kap samen met de scharnieren te verwijderen.



VOORZICHTIG

- ◆ Zorg dat uw vingers niet beklemd raken bij het openen of sluiten van de stofkap.

Aansluitingen maken

Aansluiten op een versterker

Voer de aansluitingen uit zoals weergegeven in de volgende afbeelding.

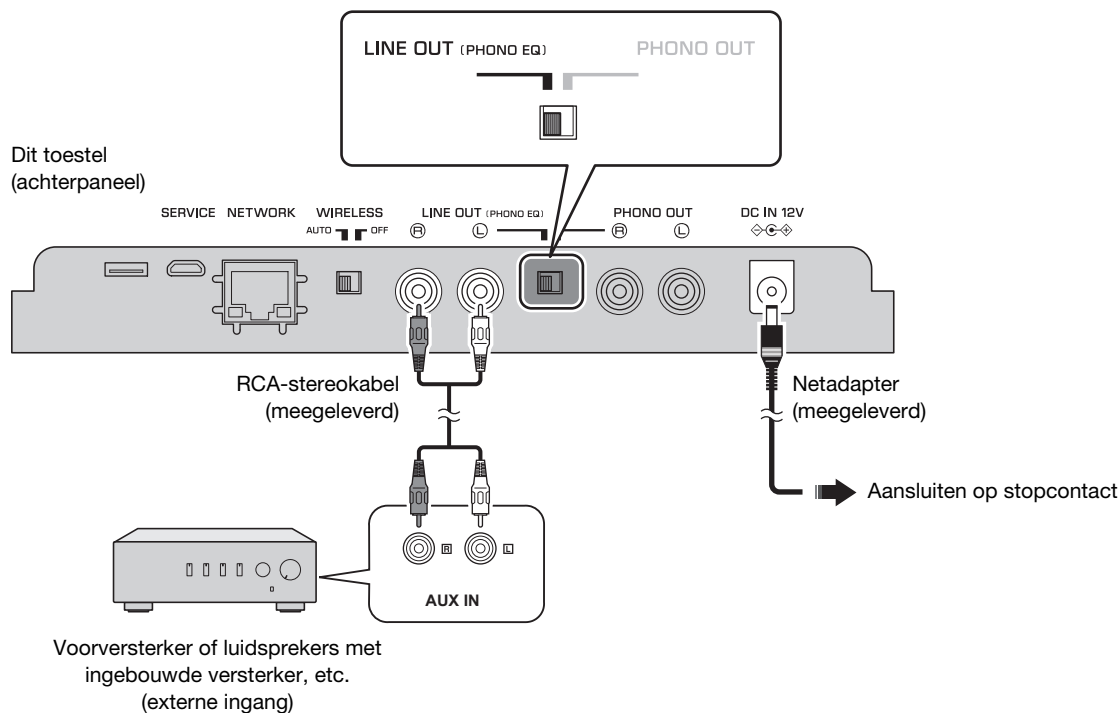


VOORZICHTIG

- ◆ Steek de stekker van dit toestel en alle andere aangesloten apparaten pas in het stopcontact als alle aansluitingen en de instellingen voor audio-uitgang zijn gemaakt.

■ Bij gebruik van de LINE OUT-aansluitingen van dit toestel

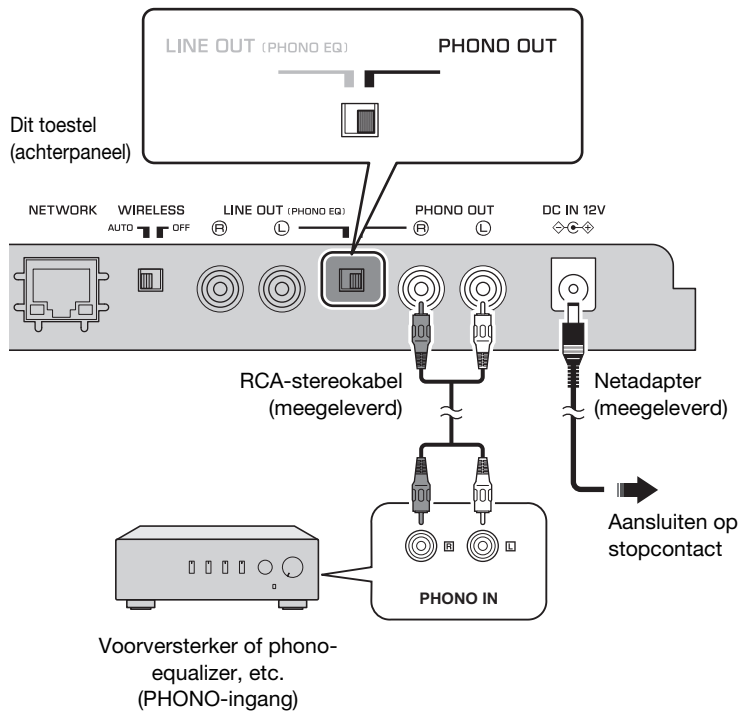
Bronnen die afgespeeld kunnen worden: Grammofoonplaten, alle netwerkbronnen waaronder internetradio, Bluetooth



■ Bij gebruik van de PHONO OUT-aansluitingen van dit toestel

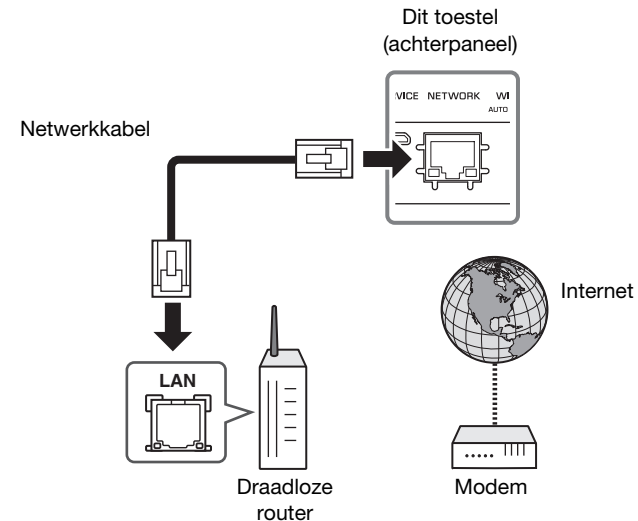
Bronnen die afgespeeld kunnen worden: Grammofoonplaten

De netwerkfuncties van dit toestel kunnen niet worden gebruikt.



Een netwerkkabel aansluiten

Sluit voor gebruik in een bekabeld netwerk het toestel aan op uw router met een in de handel verkrijgbare STP-netwerkkabel (CAT-5 of hoger patchkabel). Ga voor draadloos verbinding maken met het netwerk naar “Het toestel met het netwerk verbinden” (⇒ pagina 21).



OPMERKING

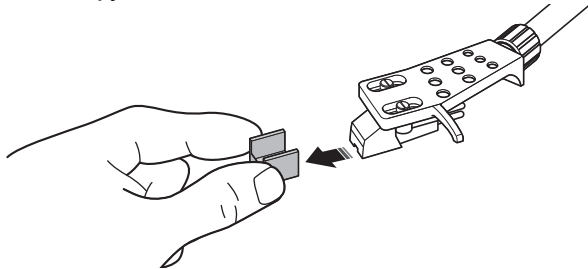
- ◆ Sluit de netwerkkabel aan alvorens het toestel in te schakelen.
- ◆ U kunt verbinding maken met het netwerk via een bekabelde verbinding, ongeacht of de WIRELESS-schakelaar op het achterpaneel is ingesteld op AUTO of OFF. (⇒ pagina 12)
- ◆ Als het apparaat al draadloos is verbonden met het netwerk, zet dit apparaat dan in de standby-modus, sluit de netwerkkabel aan, zet de WIRELESS schakelaar op het achterpaneel op OFF en schakel het apparaat in. (⇒ pagina 12)

Instellingen maken

De naalddruk instellen

Stel de draaitafelarm zodanig in dat de juiste naalddruk op de grammofoonplaat wordt uitgeoefend.

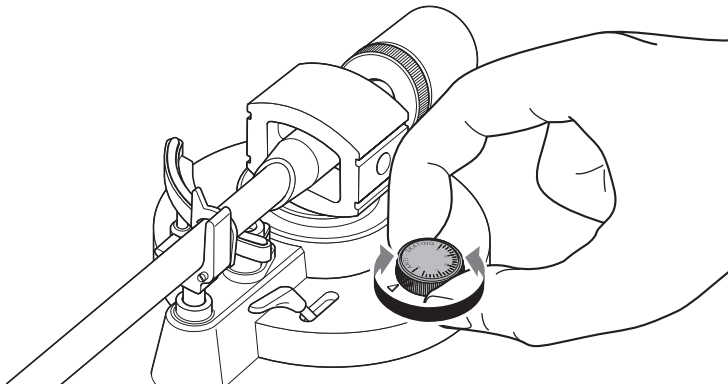
1 Maak het kapje van de naald los.



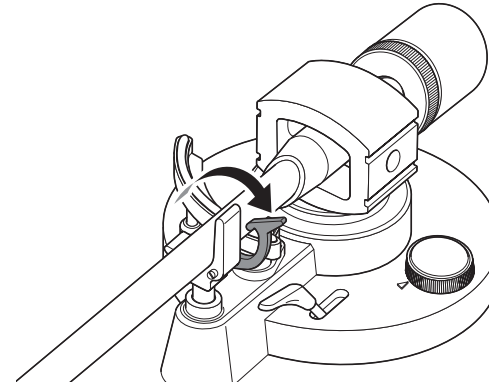
LET OP

- ◆ Zorg dat het kapje van de naald of uw vinger niet in contact komt met de naald.

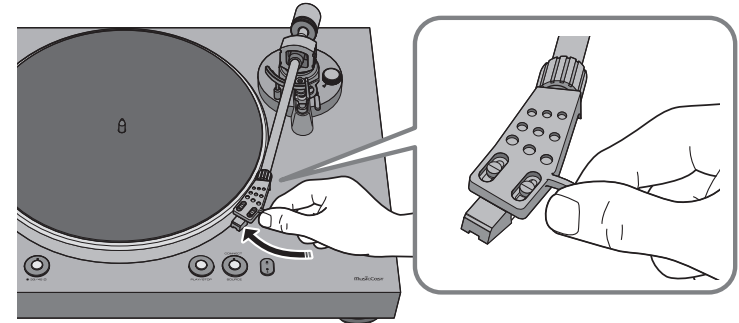
2 Zet de anti-skating-instelling op "0".



3 Maak de vergrendeling van de draaitafelarm los.



4 Beweeg de draaitafelarm uit de armsteun en iets naar links.



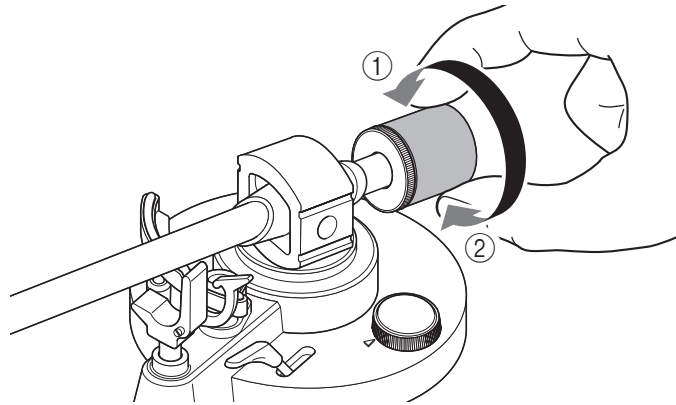
LET OP

- ◆ Zorg dat de naald niet in contact komt met een onderdeel van het toestel.

5 Draai het contragewicht zodanig dat de arm horizontaal blijft.

In de richting van ①: Contragewicht beweegt vooruit aan de draaitafelarm.

In de richting van ②: Contragewicht verplaatst zich naar achteren op de draaitafelarm.



Correct



Draaitafelarm is horizontaal (in balans)

Niet correct



Contragewicht bevindt zich te ver naar voren

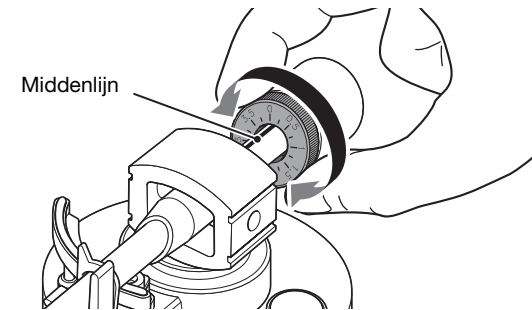
Niet correct



Contragewicht bevindt zich te ver naar achteren

6 Breng de draaitafelarm terug in de armsteun en vergrendel deze.

7 Draai de contraring zodanig dat de "0"-markering is uitgelijnd met de middenlijn aan de achterkant van de draaitafelarm.

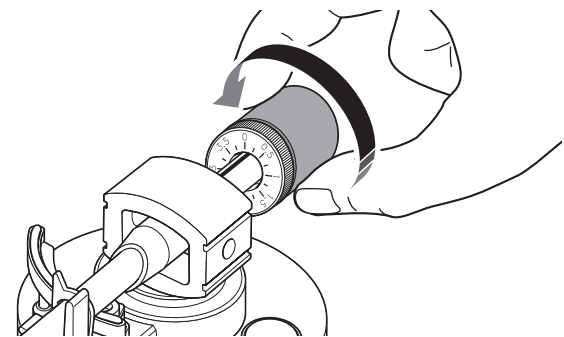


OPMERKING

- ◆ Houd bij het draaien van de contraring met uw vingers het contragewicht vast, zodat dit niet kan draaien.

8 Stel de markeringen van het contragewicht in op de naalddruk die voor het element wordt opgegeven door het contragewicht te draaien.

De opgegeven naalddruk voor het meegeleverde element is 3,5 g.



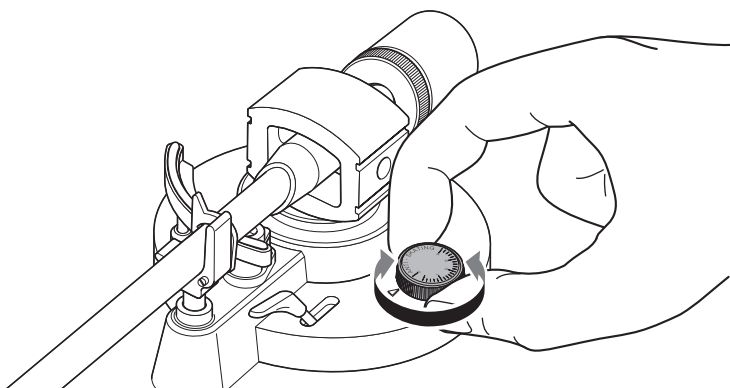
OPMERKING

- ◆ Door het draaien aan het contragewicht draait ook de contraring.

De anti-skating instellen

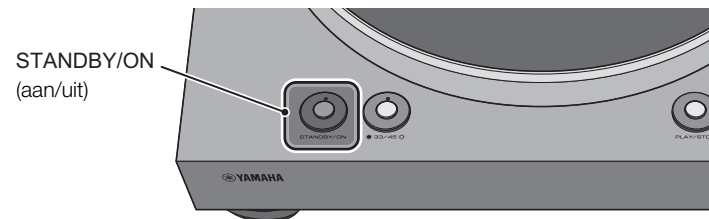
Als de draaitafel draait, genereert de punt van de naald een kracht die hem naar het midden trekt. Als de anti-skating-waarde even hoog is ingesteld als de naalddruk wordt er een kracht ontwikkeld die de punt van de naald naar buiten duwt, weg van het rotatiecentrum, en heffen de twee krachten elkaar op.

- 1 Draai de anti-skating-instelling naar dezelfde waarde als de naalddruk van het element.




De stroom inschakelen

Druk op het bovenpaneel van het toestel op STANDBY/ON (aan/uit) om het toestel in te schakelen. Druk nogmaals op STANDBY/ON (aan/uit) om het toestel in standby-modus te zetten.



OPMERKING

- ◆ Als u het toestel na aankoop voor het eerst inschakelt of initialiseert, kan de -indicator (draadloos lokaal netwerk) knipperen. Als deze knippert kunt u verbinding maken met het draadloze netwerk door de netwerkinstellingen van uw iOS-apparaat te delen. (⇒ pagina 33) Gebruik MusicCast CONTROLLER om verbinding te maken met het netwerk om muziek te kunnen beluisteren van verschillende netwerkbronnen. (⇒ pagina 21)

Over de standby-modi van dit toestel

Dit toestel heeft twee typen standby-modi.

Network Standby: De stroom van dit toestel kan worden ingeschakeld vanaf een netwerk. (alleen als de selectieschakelaar voor audio-uitgang op LINE OUT is ingesteld)

Eco standby: Deze modus reduceert het stroomgebruik tijdens standby.

OPMERKING

- ◆ Als u wilt overschakelen naar de eco standby-instelling kunt u met uw webbrowser de standby-instellingen wijzigen. (⇒ pagina 31)
- ◆ Als u tijdelijk wilt overschakelen op eco standby houdt u STANDBY/ON (aan/uit) vijf seconden ingedrukt terwijl het toestel wordt ingeschakeld. (alleen als de selectieschakelaar voor audio-uitgang op LINE OUT is ingesteld)

Het toestel met het netwerk verbinden

Dit gedeelte behandelt het registreren van het toestel met MusicCast en het toestel configureren voor de netwerkverbinding.

Zelfs als het apparaat is verbonden met het netwerk via een kabel, is MusicCast-registratie vereist om netwerkbronnen te kunnen afspelen.

OPMERKING

- ◆ Als u via het netwerk audiobronnen op hoge resolutie wilt afspelen wordt voor stabilere weergave een bekabelde verbinding geadviseerd. (⇒ pagina 17)
- ◆ Uw mobiele apparaat moet al verbonden zijn met de draadloze netwerkrouter (access point).

1 Installeer MusicCast CONTROLLER op uw mobiele apparaat.

Zoek in de App Store of in Google Play op MusicCast CONTROLLER (gratis), en installeer dit op uw mobiele apparaat.

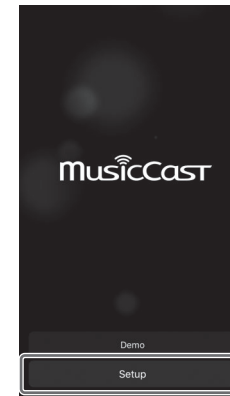
Ga voor meer informatie over MusicCast CONTROLLER naar de volgende website.

<https://www.yamaha.com/musiccast/>



MusicCast CONTROLLER is een app voor het bedienen van apparaten die MusicCast ondersteunen. Hiermee kunt u muziek delen tussen meerdere apparaten die compatibel zijn met MusicCast en die in verschillende ruimtes zijn geplaatst. U kunt uw smartphone of ander mobiel apparaat als afstandsbediening gebruiken en makkelijk songs selecteren en instellingen uitvoeren op het MusicCast-compatible apparaat.

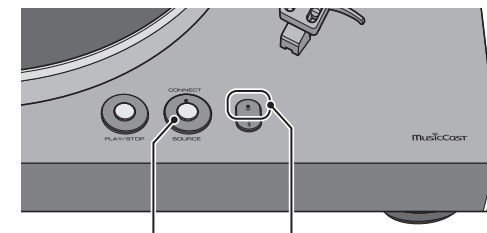
2 Start de MusicCast CONTROLLER op uw mobiele apparaat en klik vervolgens op “Instellen”.



Tik hier.

3 Bedien MusicCast CONTROLLER volgens de instructies die op het scherm van uw mobiele apparaat verschijnen en houd in het bovenste paneel van dit toestel de CONNECT-toets vijf seconden vast.

De -indicator (draadloos lokaal netwerk) knippert.



CONNECT

Indicator (draadloos lokaal netwerk)


4 Volg de instructies op de display van het mobiele apparaat om MusicCast CONTROLLER te bedienen en de netwerkinstellingen uit te voeren.

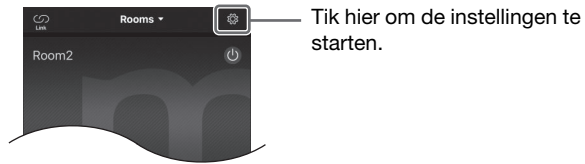
Als dit toestel contact maakt met het netwerk brandt de -indicator (draadloos lokaal netwerk).

Het toestel is nu geregistreerd met MusicCast en de netwerkinstellingen zijn voltooid.

Gebruik MusicCast CONTROLLER om de muziek af te spelen.

OPMERKING

- ◆ Om extra MusicCast-apparaten toe te voegen tikt u op de  (Instellingen) in de rechterbovenhoek van het MusicCast CONTROLLER-scherm en selecteert u vervolgens "Nieuw apparaat toevoegen".



Afspelen

Naar een grammofonplaat luisteren

Zo speelt u een grammofonplaat af.

■ Afspelen starten

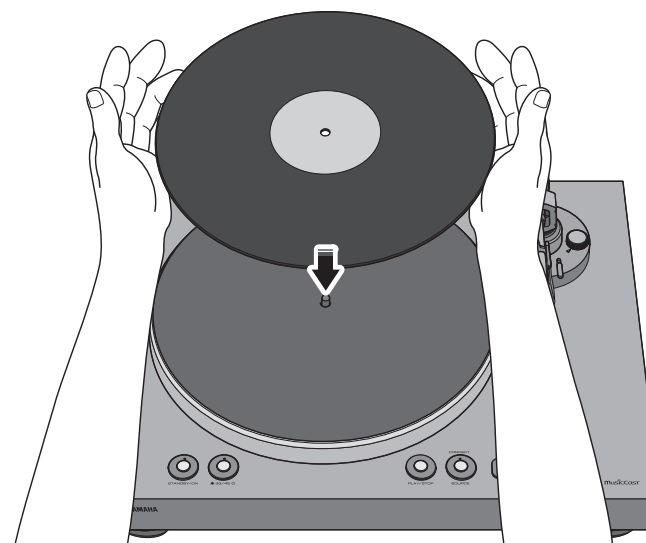
⚠ VOORZICHTIG

- ◆ Als u een grammofonplaat afspeelt zonder het geluidsvolume van uw versterker voldoende te verlagen kan er een luid geluid klinken als de punt van de naald contact maakt met de grammofonplaat. Dit kan gehoorverlies veroorzaken en kan schade aan uw versterker en luidsprekers toebrengen, dus verlaag het volume van uw versterker.
- ◆ Als u een grammofonplaat afspeelt en het geluid via de LINE OUT-aansluitingen wordt verzonden, stopt de draaitafel als u de bron overschakelt van PHONO naar netwerk of Bluetooth.

OPMERKING

- ◆ MusicCast CONTROLLER kan het afspelen van een grammofonplaat niet starten of stoppen of het toerental wijzigen.

- 1 Open de stofkap en plaats de grammofonplaat op de draaitafel. Gebruik de 45 rpm-adaptor als u een 45 rpm-grammofonplaat afpeelt.



2 Druk op 33/45 (toerental) om het juiste toerental voor de grammofoonplaat te selecteren.

De snelheid wisselt bij elke keer indrukken tussen 33 en 45 toeren per minuut (toerental).

Snelheidsindicator brandt: 33 1/3 rpm

Snelheidsindicator brandt niet: 45 rpm

3 Druk op SOURCE om de bron naar PHONO om te schakelen.

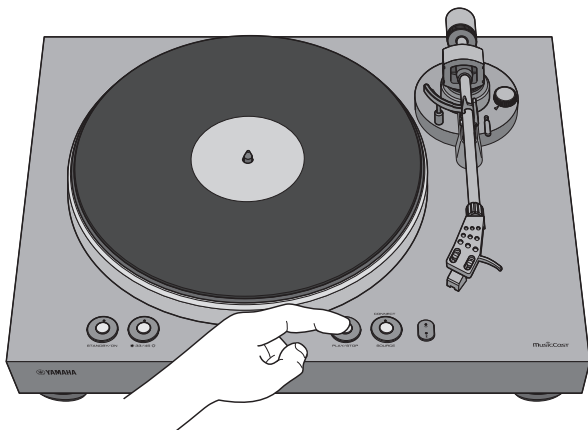
De SOURCE-indicator brandt wit.

OPMERKING

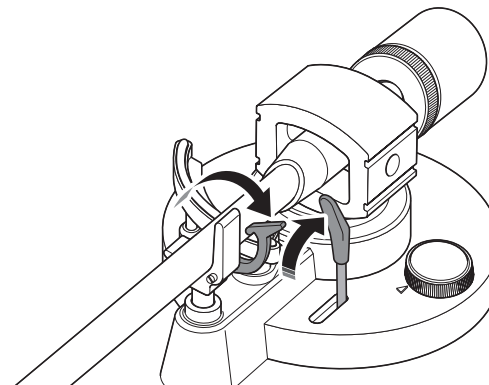
- ◆ Als de selectieschakelaar voor audio-uitgang is ingesteld op PHONO OUT hoeft de bron niet te worden omgeschakeld.

4 Druk op PLAY/STOP (afspelen/stoppen).

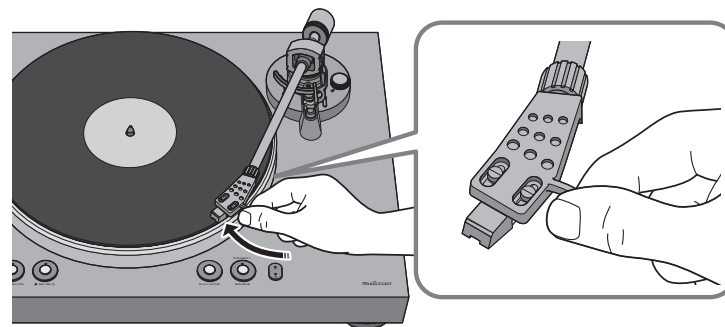
De draaitafel draait.



5 Ontgrendel de draaitafelarmvergrendeling en breng de armlift omhoog.

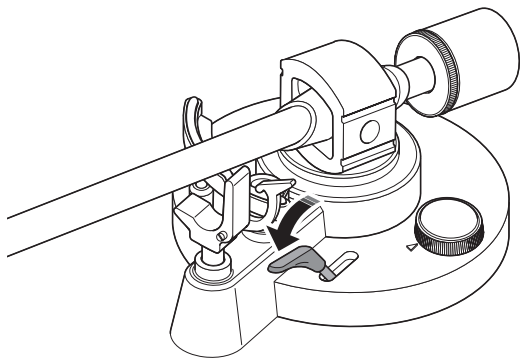


6 Breng de draaitafelarm naar de afspelpositie van de grammofoonplaat.



7 Laat de armlift zakken met de lifthendel.

De draaitafelarm rust op de plaat en het afspelen is gestart.



■ Afspelen pauzeren

Als u de lifthendel omhoog beweegt gaat de draaitafelarm omhoog en wordt het afspelen gepauzeerd.

Als u de lifthendel weer laat zakken wordt het afspelen hervat.

■ Afspelen stoppen

- 1 Breng de lifthendel omhoog.
- 2 Plaats de draaitafelarm weer in de armsteun.
- 3 Laat de armlift zakken met de lifthendel.
- 4 Druk op PLAY/STOP (afspelen/stoppen).
De draaitafel stopt met draaien.
- 5 Vergrendel de draaitafelarm.

OPMERKING

- ◆ De draaitafelarm komt niet automatisch omhoog als de grammofoonplaat is afgespeeld.
- ◆ Als u het toestel voor langere tijd niet gebruikt, bevestig dan de naaldbeschermers om de naald te beschermen.

Luisteren naar internetradio

Zo selecteert u een internetradiostation met de MusicCast CONTROLLER die op uw mobiele apparaat is geïnstalleerd.

OPMERKING

- ◆ Registreer dit toestel met MusicCast, alvorens een station te selecteren. (⇒ pagina 21)
- ◆ Sommige internetradiostations zijn niet altijd bereikbaar of alleen op specifieke tijden.
- ◆ Deze functie gebruikt de dienst “airable.Radio”. Deze functie wordt geleverd door Tune In GmbH.
- ◆ Deze dienst kan worden gewijzigd of beëindigd zonder voorafgaande kennisgeving.

- 1 Selecteer met MusicCast CONTROLLER de ruimte waarin dit toestel zich bevindt (bijv. Room 1).
- 2 Tik op “Net Radio”.
- 3 Selecteer het internetradiostation waar u naar wilt luisteren.

Naar streamingdiensten luisteren

U kunt naar een streamingdienst luisteren met de MusicCast CONTROLLER die op uw mobiele apparaat is geïnstalleerd. Raadpleeg voor details over streamingdiensten de aanvullende toelichting(en) over streamingdiensten die in uw regio beschikbaar zijn. Ga naar de Yamaha downloadwebsite voor het downloaden van extra toelichting(en).

<https://download.yamaha.com/>

OPMERKING

- ◆ Service is beperkt tot bepaalde regio's.
- ◆ De door het toestel ondersteunde diensten kunnen mogelijk niet beschikbaar zijn, afhankelijk van de regio waarin het toestel is aangeschaft.
- ◆ Deze dienst kan worden gewijzigd of beëindigd zonder voorafgaande kennisgeving.

Muziekbestanden afspelen die zijn opgeslagen op een mediaserver (PC/NAS)

U kunt op het toestel muziekbestanden afspelen die zijn opgeslagen op uw PC of DLNA-compatibel Network Attached Storage (NAS)-apparaat.

OPMERKING

- ◆ Audio kan mogelijk worden onderbroken bij gebruik van een draadloze netwerkverbinding. Gebruik in dit geval een bekabelde netwerkverbinding. (⇒ pagina 17)
- ◆ Raadpleeg “Ondersteunde apparaten en bestandsindelingen” (⇒ pagina 41) voor informatie over bestandsindelingen die met dit toestel kunnen worden afgespeeld. Raadpleeg ook de specificaties van het NAS-apparaat.

Instellingen voor het delen van media

Om muziek op het toestel af te spelen die is opgeslagen op de PC (of NAS) moet u media sharing (media delen) tussen dit toestel en andere apparaten inschakelen.

■ Voor een PC met Windows Media Player

De instelprocedure kan variëren, afhankelijk van de PC en de versie van Windows Media Player. De volgende instructies maken gebruik van Windows Media Player 12 als voorbeeld.

OPMERKING

- ◆ De methode is afhankelijk van de computer en de instellingen die u gebruikt. Raadpleeg voor details de fabrikant van uw computer of de helpbestanden van de Windows Mediaspeler.

- 1 Start Windows Media Player 12 op uw PC.
- 2 Selecteer “Streamen” en vervolgens “Mediastreaming inschakelen”.

3 Klik op “Mediastreaming inschakelen”.

4 Selecteer “Toegestaan” in het vervolgkeuzemenu naast de naam van het toestelmodel.

5 Klik op “OK” om af te sluiten.

■ Voor een PC of een NAS waarop andere DLNA-serversoftware is geïnstalleerd dan Windows Media Player

Raadpleeg de handleiding voor het apparaat of de software en configureer de instellingen voor het delen van media.

Muziekbestanden afspelen

Zo speelt u af met de MusicCast CONTROLLER die op uw mobiele apparaat is geïnstalleerd.

OPMERKING

- ◆ Registreer het toestel als een apparaat dat MusicCast ondersteunt alvorens muziekbestanden af te spelen. (⇒ pagina 21)

- 1 Selecteer met MusicCast CONTROLLER de ruimte waarin dit toestel zich bevindt (bijv. Room 1).
- 2 Tik op “Server”.
- 3 Volg de instructies op het scherm om een song te selecteren.

Via Bluetooth naar muziek luisteren

U kunt muziekbestanden die zijn opgeslagen op een Bluetooth-apparaat (zoals een smartphone) weergeven op het toestel.

OPMERKING


- ◆ Zet om Bluetooth-functionaliteit te gebruiken de WIRELESS-schakelaar op het achterpaneel van dit toestel op AUTO. (⇒ pagina 12)
- ◆ Raadpleeg voor meer informatie over ondersteunde Bluetooth-apparaten “Ondersteunde apparaten en bestandsindeling” (⇒ pagina 41).

1 Druk op het bovenpaneel van dit toestel op de schakelaar SOURCE om naar Bluetooth als bron over te schakelen.

De SOURCE-indicator brandt blauw.

2 Schakel op het Bluetooth-apparaat de Bluetooth-functie in.

3 Selecteer op het Bluetooth-apparaat dit toestel in de lijst met beschikbare apparaten.

Als dit toestel verbinding maakt met een Bluetooth-apparaat gaat de  (Bluetooth) indicator branden.

OPMERKING

- ◆ U wordt opgeroepen een pincode in te voeren. Voer “0000” in.
- ◆ Als het toestel is geregistreerd als MusicCast-apparaat verschijnt de ruimtenaam in de lijst met beschikbare apparaten.

4 Selecteer op het Bluetooth-apparaat een nummer en start het afspelen.

OPMERKING

- ◆ Als het toestel een Bluetooth-apparaat detecteert dat eerder is gekoppeld, maakt het toestel automatisch contact met het Bluetooth-apparaat nadat u stap 1 heeft uitgevoerd. Om een andere Bluetooth-verbinding tot stand te brengen, moet u eerst de huidige Bluetooth-verbinding beëindigen.
- ◆ Voer om een Bluetooth-verbinding te beëindigen een van de volgende handelingen uit:
 - Verbinding met het Bluetooth-apparaat verbreken.
 - Selecteer een andere optie dan “Bluetooth” als de bron voor dit toestel.
- ◆ Als u Bluetooth-standby inschakelt, wordt dit toestel automatisch ingeschakeld als er een verbindingshandeling wordt uitgevoerd op het Bluetooth-apparaat. (⇒ pagina 31)

Muziek beluisteren via AirPlay

U kunt de functie AirPlay gebruiken om muziek van iTunes of een iOS-apparaat via een netwerk af te spelen.

OPMERKING

- ◆ Als uw iOS-apparaat het toestel niet herkent, controleer dan de netwerkgeving (zoals de router)
- ◆ Raadpleeg voor meer informatie over ondersteunde iOS-apparaten “Ondersteunde apparaten en bestandsindeling” (⇒ pagina 41).

1 Start iTunes of geef het muziekafspeelscherm weer op het iOS-apparaat.

Zodra iTunes of het iOS-apparaat het toestel herkent, verschijnt het AirPlay-pictogram.

Bijv. (iOS 10)



Bijv., (iTunes)



2 Klik (tik) in iTunes of op het iOS apparaat op het AirPlay-pictogram en selecteer vervolgens dit toestel als de uitgangbestemming voor de audio.

3 Selecteer een song in iTunes of op het iOS-apparaat en start afspelen.

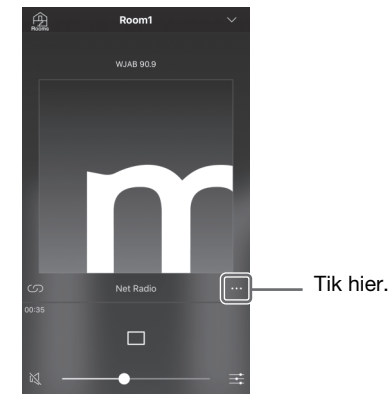
De bron van dit toestel schakelt automatisch over naar netwerk (AirPlay) en het afspelen wordt gestart.

De SOURCE-indicator gaat roze branden.

MusicCast CONTROLLER gebruiken om favorieten te registreren

U kunt maximaal 40 favoriete contentitems registreren (songs die zijn opgeslagen op uw pc en internetradiostations).

- 1 Speel een nummer of een internetradiostation af dat u wilt registreren.
- 2 Tik in het afspeelscherm op **...** en daarna op “Toevoegen aan MusicCast favorieten”.



■ Geregistreerde content oproepen

- 1 Selecteer met MusicCast CONTROLLER de ruimte waarin dit toestel zich bevindt (bijv. Room 1).
- 2 Tik op “Favorieten” en selecteer de content die u wilt afspelen.



Gedetailleerde instellingen

Instellingen uitvoeren via MusicCast CONTROLLER

Gebruik “MusicCast CONTROLLER” om instelling voor diverse functies te maken.

De slaaptimer instellen

Deze functie schakelt het toestel automatisch in standby-modus nadat een specifiek tijdsinterval is verstreken.

Instellingen: Uit (standaard), 30 Min., 60 Min., 90 Min., 120 Min.

OPMERKING

- ◆ De instelling voor de slaaptimer wordt geannuleerd als u een van de volgende acties uitvoert.
 - Dit toestel op stand-by-modus zetten.
 - De stekker van dit toestel uit het stopcontact trekken.
 - De bron overschakelen op PHONO.
- ◆ De slaaptimer kan niet worden gebruikt als de bron is ingesteld op PHONO.

Automatisch afspelen inschakelen/uitschakelen

Deze functie bepaalt of songs van de computer (server) automatisch worden afgespeeld als de bron wordt omgeschakeld naar Server.

Instellingen

Aan (standaard): Automatisch afspelen is ingeschakeld.
Als het toestel een afspeelgeschiedenis bijhoudt, wordt het laatst afgespeelde onderdeel opnieuw afgespeeld. Als een dergelijk onderdeel niet langer bestaat, speelt het toestel het niet af.

Uit: Automatisch afspelen is uitgeschakeld.

Automatisch standby inschakelen/uitschakelen

Deze functie schakelt automatisch over op standby-modus nadat er een specifiek tijdsinterval is verstreken zonder afspelen of bedieningshandelingen.

Instellingen

Uit: Automatisch standby is uitgeschakeld.

Aan: Automatisch standby is ingeschakeld.
Als dit toestel gedurende minstens 20 minuten

Standaard

Modellen voor het Verenigd Koninkrijk, Europa en Korea: Aan
andere modellen: Uit

OPMERKING

- ◆ Direct voordat standby-modus wordt geactiveerd knippert de STANDBY/ON-indicator.

Instellingen uitvoeren via een webbrowser

U kunt een webbrowser op uw computer of ander apparaat gebruiken om instellingen voor dit toestel en voor de netwerkverbinding uit te voeren. Hier behandelen we de standby-instelling.

Laat dit toestel verbinding maken met het netwerk alvorens verder te gaan met de volgende handelingen. (⇒ pagina's 17 en 21)

Het instellingenschermbreem openen

Zo opent u het instellingenschermbreem op uw computer.

- 1 Gebruik MusicCast CONTROLLER om het IP-adres van dit toestel te achterhalen.
- 2 Start een webbrowser op uw computer.
- 3 Voer in de adresregel van uw webbrowser het IP-adres in dat u heeft gevonden en druk op Enter.

Het instellingenschermbreem verschijnt.

OPMERKING

- ◆ We kunnen niet garanderen dat dit werkt met alle apparaten of browsers.

■ Standby-instelling

Network Standby

Bepaalt of dit toestel kan worden ingeschakeld vanaf een netwerk.

Auto (standaard): Netwerk-standby is ingeschakeld.

Als dit toestel niet is verbonden met een netwerk is netwerk-standby automatisch uitgeschakeld.(dit toestel gaat op eco standby-modus.)

On: Netwerk-standby is ingeschakeld.Deze instelling gebruikt meer stroom dan de instelling "Off".

Off: Netwerk-standby is uitgeschakeld.(dit toestel gaat op eco standby-modus.)

Bluetooth Standby

Bepaalt of dit toestel kan worden in- en uitgeschakeld vanaf het Bluetooth-apparaat. Als dit op "On" staat, wordt dit toestel automatisch ingeschakeld als er op het Bluetooth-apparaat een verbindingshandelingen wordt uitgevoerd.

On (standaard): Bluetooth-standby is ingeschakeld.(Alleen als de netwerkstandby-instelling "Auto" of "On" is.)

Off: Bluetooth standby is uitgeschakeld.



Met een geavanceerd energiebeheerontwerp heeft dit product een laag energieverbruik van minder dan 2 watt in netwerk standby-modus.



Indien nodig

De firmware updaten

Wanneer dit nodig is wordt er nieuwe firmware beschikbaar gesteld die extra eigenschappen of productverbeteringen bevat. U kunt de firmware updaten met de MusicCast CONTROLLER die op uw mobiele apparaat is geïnstalleerd.

Als er nieuwe firmware beschikbaar is, geeft het scherm van MusicCast CONTROLLER het bericht weer “Nu de nieuwe firmware updaten?”.

1 Tik op “Ja”.

De firmware-update begint.


Tijdens de update wordt een voortgangsbalk weergegeven op het scherm van MusicCast CONTROLLER en de SOURCE-indicator van dit toestel knippert lichtblauw.

Als de update is gelukt verschijnt op het scherm van MusicCast CONTROLLER “Firmware update voltooid” en de SOURCE-indicator van dit toestel brandt lichtblauw.

LET OP

- ◆ Tijdens de firmware-update mag dit toestel niet worden bediend, mag de stekker niet uit het stopcontact worden getrokken of de netwerkkabel worden ontkoppeld.

OPMERKING

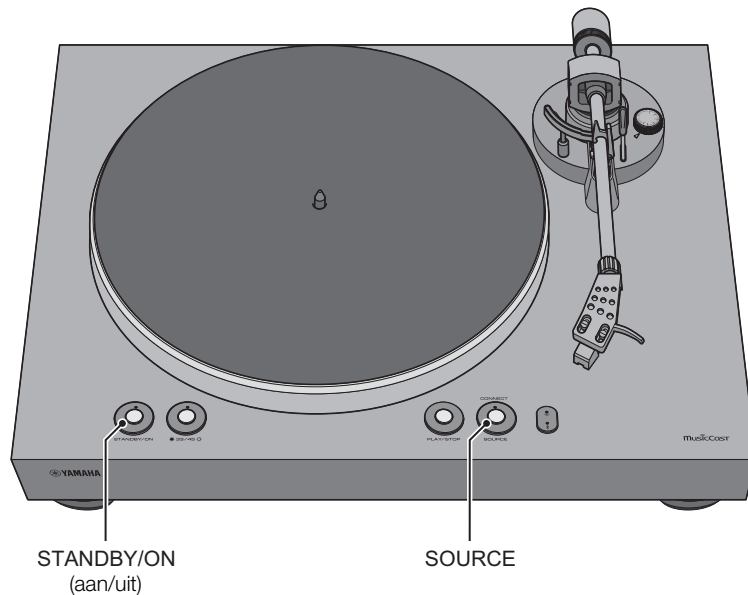
- ◆ Als u “Later” kiest, tik dan op  (Instellingen) in MusicCast CONTROLLER en kies “Nieuwe firmware is beschikbaar”. Werk de firmware bij zoals in het scherm wordt beschreven.
- ◆ Als er nieuwe firmware beschikbaar is, knippert de SOURCE-indicator ook oranje als het toestel wordt ingeschakeld.
- ◆ Als u MusicCast CONTROLLER niet gebruikt, start de firmware-update als u de toetsen PLAY/STOP (Afspelen) en STANDBY/ON (aan/uit) indrukt terwijl het toestel op standby-modus staat.
- ◆ Raadpleeg de website van Yamaha voor meer over de firmware.

Initialiseren en instellingen


Zo initialiseert u de instellingen van dit toestel.

- 1 **Druk op STANDBY/ON (aan/uit) om het toestel in standby-modus te zetten.**
- 2 **Zet het toestel aan terwijl u SOURCE vasthoudt en STANDBY/ON (aan/uit) indrukt om het toestel in te schakelen.**

De instellingen worden geïnitieerd.



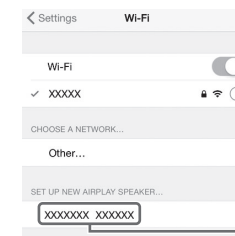
Verbinding maken met een netwerk met behulp van de WAC-functie

Als u het toestel na aankoop voor het eerst inschakelt of initialiseert, knippert de -indicator (draadloos lokaal netwerk). (Behalve als het toestel al is verbonden met het netwerk via een kabel, of als de keuzeschakelaar voor de audio-uitgang is ingesteld op PHONO OUT). Terwijl deze knippert kunt u verbinding maken met het draadloze netwerk door het delen van de netwerkinstellingen van uw iOS-apparaat (WAC-functie).

Handel als volgt om deze functie te gebruiken.

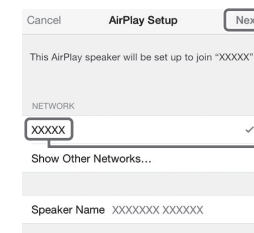
- 1 **Selecteer in het Wi-Fi-scherm van uw iOS-apparaat dit toestel als de AirPlay-luidspreker.**

Bijv. (iOS 10)



De naam van het toestel

- 2 **Zorg dat het veld "Network" op het gewenste netwerk is ingesteld en tik vervolgens op "Next".**



Tik hier om het instellen te starten.

Huidig geselecteerd netwerk

Als de configuratie voltooid is, maakt het toestel automatisch verbinding met het draadloze netwerk (access point).

Onderhoud

■ Onderhoud van het toestel

Wrijf het met een zachte droge doek schoon. Gebruik geen chemische stoffen zoals benzine of verdunner, omdat deze het oppervlak kunnen beschadigen.

■ Onderhoud van de grammofoonnaald van de platenspeler

De punt van de grammofoonnaald is uiterst gevoelig. Behandel deze met de grootste zorg, zodat hij niet beschadigt. Als er stof aan de punt van de naald blijft zitten, gebruik dan een zachte puntige kwast om dit te verwijderen vanaf de steel van de naald in de richting van de punt, of gebruik een in de handel verkrijgbare cleaner voor dit doeleinde.

■ Onderhoud van grammofoonplaten

Vuil dat zich aan een grammofoonplaat hecht kan haperingen of bijgeluiden veroorzaken. Gebruik een in de handel verkrijgbare vinylreiniger om vuil te verwijderen.

Vervanging

De snaar vervangen

Afhankelijk van de gebruiksomstandigheden kan de snaar verslijten of breken. Als dit gebeurt, vervang de snaar dan. Neem voor een vervangende snaar contact op met uw dichtstbijzijnde Yamaha-dealer of servicecenter.

- 1 **Schakel dit toestel en de aangesloten apparaten uit en trek de netadapter van dit toestel uit het stopcontact.**
- 2 **Verwijder de draaitafelmat van de draaitafel.**
- 3 **Maak de snaar van de poelie los.**
- 4 **Plaats uw vingers in de ronde openingen van de draaitafel en til de draaitafel omhoog.**



VOORZICHTIG

- ◆ **Zorg dat u de draaitafel niet laat vallen. Vallen kan persoonlijk letsel of schade aan het toestel veroorzaken.**

- 5 **Draai de draaitafel om en verwijder de snaar.**
- 6 **Bevestig de vervangingssnaar om de draaitafel.**
Zorg dat de snaar niet gedraaid is.
- 7 **Plaats de draaitafel op het toestel.**
Raadpleeg voor details over installatie "Montage" op pagina 13.

De grammfoonnaald vervangen

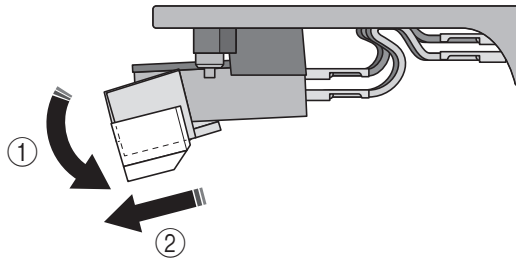
Als de punt van de grammfoonnaald slijtage vertoont of beschadigd raakt, vervang deze dan onmiddellijk.

Koop als vervanging een ATN3600L vervangingsnaald van Audio-Technica.

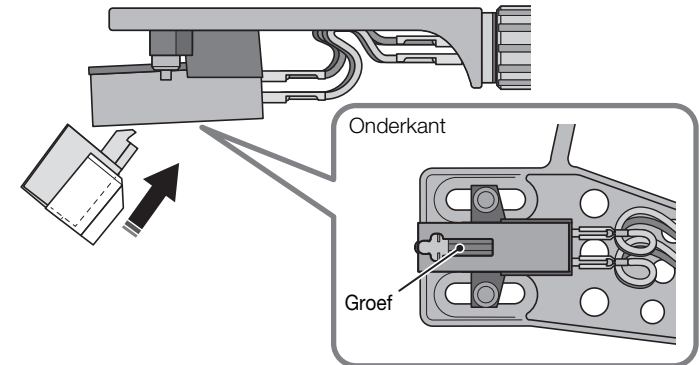
VOORZICHTIG

- ◆ Bevestig het kapje van de naald alvorens de naald te vervangen. U kunt zich aan de punt van de naald verwonden of deze kan beschadigen.
- ◆ Zorg dat kinderen de naald niet inslikken als deze is verwijderd.

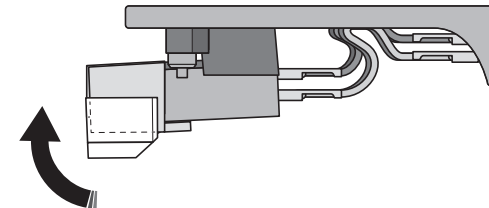
- 1 Schakel dit toestel en de aangesloten apparaten uit en trek de netadapter van dit toestel uit het stopcontact.
- 2 Terwijl u het element met uw vingers vasthoudt, drukt u de naald in de richting van ① of trekt u deze in de richting van ② om te verwijderen.



- 3 Terwijl u het element met uw vingers vasthoudt, plaatst u het klepje van de vervangende naald in de gleuf van de onderzijde van het element.



- 4 Druk de naald omhoog tot u een klik hoort.



Het toestel verplaatsen

Vergrendel de draaitafelarm, zodat deze niet kan bewegen als u dit toestel verplaatst.

Problemen oplossen

Als het toestel stopt met de juiste werking, controleer dan het volgende.

Als de betreffende handeling het probleem niet oplost, of als er zich een probleem voordoet dat hier niet wordt behandeld, druk dan op de knop STANDBY/ON (aan/uit) aan de bovenkant van het toestel om het uit te schakelen, verwijder het netsnoer en neem contact op met de dichtstbijzijnde goedgekeurde Yamaha-dealer of Yamaha-servicecentrum.

Algemeen

Probleem	Oorzaak	Handeling	Referentiepagina
Op STANDBY/ON (aan/uit) drukken schakelt het toestel niet in.	De netadapter van dit toestel is losgeraakt van het toestel of niet goed in het stopcontact gestoken.	Stop de plug van de netadapter stevig in de daarvoor bestemde aansluiting van dit toestel (DC IN) en in het stopcontact.	16
Als u op STANDBY/ON (aan/uit) drukt knippert de STANDBY/ON (aan/uit)-indicator en wordt het toestel ingeschakeld.	Het beveiligingscircuit is drie keer geactiveerd.	Om het toestel te beschermen wordt het niet meer ingeschakeld. Neem contact op met een Yamaha servicecenter om het toestel te laten repareren.	—
Door op SOURCE te drukken wordt de bron niet omgeschakeld.	De selectieschakelaar audio-uitgang is ingesteld op PHONO OUT.	Zet de selectieschakelaar audio-uitgang op LINE OUT.	12
De draaitafel draait niet.	De snaar is niet juist op de draaitafel en poelie geplaatst of de snaar is losgekomen.	Bevestig de snaar juist aan de draaitafel en de poelie.	13
	STANDBY/ON (aan/uit) is niet aan.	Schakel STANDBY/ON (aan/uit) in.	20
Geen geluid.	De elementkop is niet juist aan de draaitafelarm bevestigd.	Bevestig de elementkop juist aan de draaitafelarm.	14
	De RCA-stereokabel is niet juist aangesloten.	Sluit de RCA-stereokabel juist aan.	16
	De mute-functie van de versterker is actief.	Schakel de mute-functie van de versterker uit.	—
	De selectieschakelaar audio-uitgang van het toestel is verkeerd ingesteld.	Stel de selectieschakelaar audio-uitgang juist in voor het apparaat dat is aangesloten.	16

Probleem	Oorzaak	Handeling	Referentiepagina
Geluidsvolume is te laag of te hoog.	De elementinstelling van de versterker of phono-equalizer is onjuist.	Stel de elementinstelling van de versterker of phono-equalizer correct in voor het type element dat u gebruikt (MM of MC).	—
	De selectieschakelaar audio-uitgang is onjuist ingesteld.	Stel de selectieschakelaar audio-uitgang juist in voor het apparaat dat is aangesloten.	16
Er is iets mis met de geluidsbalans tussen links en rechts.	Het toestel staat scheef.	Plaats het toestel op een vlakke locatie.	—
Afspeelsnelheid is verkeerd.	De toerentalinstelling is onjuist.	Stel de 33/45-instelling (toerental) juist in. Dit toestel ondersteunt geen afspeelsnelheid van 78-toerengrammofoonplaten (78 rpm).	10
Er is brom te horen.	De RCA-stereokabel is niet juist aangesloten.	Sluit de RCA-stereokabel juist aan.	16
	De elementkop is niet stevig aan de draaitafelarm bevestigd.	Maak de elementkop met de vergrendelingsmoer goed aan de draaitafelarm vast.	14
Er doen zich haperingen voor. Er is ruis te horen. Het geluid is vervormd.	De naalddruk is niet goed ingesteld.	Stel de markeringen van het contragewicht in op de naalddruk die voor het element wordt opgegeven.	18
	De grammofoonplaat is gekrast of verbogen.	Gebruik geen gekraste of verbogen grammofoonplaten.	—
	De grammofoonplaat is vuil.	Gebruik een in de handel verkrijgbare vinylreiniger om de grammofoonplaat te reinigen.	—
	De grammofoonplaat is statisch geladen.	Verwijder de statische lading met een antistatische borstel.	—
	De naald is vuil.	Verwijder het vuil van de naald.	34
	De naald is versleten.	Vervang de naald.	35
Er doet zich feedback voor.	Het toestel staat te dicht bij de luidsprekers.	Plaats het toestel verder weg van de luidsprekers.	—
	Het afspeelvolumen is te hoog.	Pas het geluidsvolume van de versterker aan.	—

Bluetooth

Probleem	Oorzaak	Handeling	Referentie-pagina
Kan het toestel niet koppelen met het Bluetooth-apparaat.	De WIRELESS-schakelaar op het achterpaneel van dit toestel staat op OFF.	Zet de WIRELESS-schakelaar op het achterpaneel van dit toestel op AUTO.	12
	De selectieschakelaar audio-uitgang van dit toestel staat op PHONO OUT.	Zet de selectieschakelaar audio-uitgang van dit toestel op LINE OUT.	12
	Er is al een ander Bluetooth-apparaat gekoppeld met het toestel.	Ontkoppel het Bluetooth-apparaat dat momenteel is gekoppeld en koppel vervolgens met het gewenste Bluetooth-apparaat.	28
	Het toestel en de Bluetooth-apparaten zijn te ver van elkaar verwijderd.	Plaats het Bluetooth-apparaat dichterbij het toestel.	—
	Draadloze communicatie wordt belemmerd door interferentie van een apparaat dat gebruik maakt van de 2,4 GHz-frequentieband (bijv. magnetron of draadloos lokaal netwerk).	Verplaatst dit toestel of het Bluetooth-apparaat verder weg van dergelijke apparaten. Als uw LAN-router de 5 Ghz-frequentieband ondersteunt, schakel dan over naar een verbinding die gebruik maakt van de 5 Ghz-frequentieband.	—
	Uw Bluetooth-apparaat biedt geen ondersteuning voor het A2DP-protocol.	Gebruik een Bluetooth-apparaat dat het A2DP-protocol ondersteunt.	—
	Het verbindingsprofiel dat is geregistreerd in het Bluetooth-apparaat werkt om de een of andere reden niet goed.	Wis het Bluetooth-profiel in het Bluetooth-apparaat en laat het Bluetooth-apparaat vervolgens verbinding maken met dit toestel.	—
	De toegangscode van de apparaten, zoals een Bluetooth-adapter die u met het toestel wilt koppelen, is anders dan "0000".	Gebruik een verbindend apparaat dat "0000" heeft als toegangscode.	—
Er is geen geluid te horen, of het geluid wordt periodiek onderbroken.	Het geluidsvolume van het Bluetooth-apparaat is te laag.	Verhoog het volumeniveau van het Bluetooth-apparaat.	—
	Het Bluetooth-apparaat is niet ingesteld voor het verzenden van audiosignalen naar dit toestel.	Selecteer op het Bluetooth-apparaat dit toestel als audio-uitgangsbewoording.	28
	De Bluetooth-verbinding is beëindigd.	Voer opnieuw Bluetooth-koppelingsbewoordingen uit.	28
	Het toestel en de Bluetooth-apparaten zijn te ver van elkaar verwijderd.	Plaats het Bluetooth-apparaat dichterbij het toestel.	—
	Draadloze communicatie wordt belemmerd door interferentie van een apparaat dat gebruik maakt van de 2,4 GHz-frequentieband (bijv. magnetron of draadloos lokaal netwerk).	Verplaatst dit toestel of het Bluetooth-apparaat verder weg van dergelijke apparaten. Als uw LAN-router de 5 Ghz-frequentieband ondersteunt, schakel dan over naar een verbinding die gebruik maakt van de 5 Ghz-frequentieband.	—

Netwerk

Probleem	Oorzaak	Handeling	Referentiepagina
Kan de netwerkfunctie niet gebruiken.	De netwerkparameters (IP-adres) zijn niet correct verkregen.	Schakel de DHCP-serverfunctie van uw router in.	—
	De selectieschakelaar audio-uitgang van dit toestel staat op PHONO OUT.	Zet de selectieschakelaar audio-uitgang van dit toestel op LINE OUT.	12
	De WIRELESS-schakelaar op het achterpaneel van dit toestel staat op OFF.	Zet de WIRELESS-schakelaar op het achterpaneel van dit toestel op AUTO.	12
	U probeert verbinding te maken met een IPv6-router.	Dit toestel ondersteunt geen IPv6-netwerken. Maak verbinding met een IPv4-netwerk.	—
Het toestel kan geen verbinding maken met internet via een draadloze netwerkrouter (toegangspunt).	De draadloze netwerkrouter (access point) is uitgeschakeld.	Schakel de draadloze netwerkrouter (access point) in.	—
	Het toestel en de draadloze netwerkrouter (access point) zijn te ver van elkaar verwijderd.	Plaats het toestel dichterbij de draadloze netwerkrouter (access point).	—
	Er bevindt zich een obstakel tussen het toestel en de draadloze netwerkrouter (access point).	Verwijder het obstakel tussen dit toestel en uw draadloze netwerkrouter (access point).	—
Het draadloze netwerk kan niet worden gebruikt.	Een apparaat dat elektromagnetische golven uitzendt (zoals een magnetronoven, een draadloos apparaat of vergelijkbaar) kan zich in de buurt bevinden.	Gebruik bij een draadloze verbinding dit toestel niet in de buurt van apparaten die elektromagnetische golven uitstralen.	—
	De toegang tot het netwerk wordt beperkt door de firewall-instellingen van de draadloze netwerkrouter (access point).	Controleer de firewall-instelling van de draadloze netwerkrouter (access point).	—
De computer (server) kan niet worden gedetecteerd.	De instellingen voor media sharing (media delen) op de PC (of server) zijn mogelijk niet correct.	Wijzig de media sharing-instellingen zodat het toestel toegang heeft tot de mappen op de PC (of server).	—
	Toegang wordt beperkt door de beveiligingsinstellingen op de PC (of server) of router.	Controleer de beveiligingsinstellingen van de PC (of server) of router.	—
	Het toestel en de pc zijn niet verbonden met hetzelfde netwerk.	Controleer de netwerk- en routerinstellingen om er zeker van te zijn dat deze zijn verbonden met hetzelfde netwerk.	—
Bestanden op de PC (of server) worden niet weergegeven (of afgespeeld).	De bestandsindeling wordt niet ondersteund door het toestel of de PC (of de server).	Gebruik een bestandsindeling die wordt ondersteund door het toestel en de PC.	41

Probleem	Oorzaak	Handeling	Referentiepagina
Kan internetradio niet afspelen.	Het geselecteerde internetradiostation is momenteel buiten dienst.	Er kan een netwerkprobleem bij het radiostation zijn, of de uitzendservice kan zijn gestopt. Probeer het station later af te spelen of kies een ander station.	—
	Het momenteel geselecteerde radiostation zendt stilte uit.	Sommige internetradiostations zenden stilte uit op bepaalde tijden. In dat geval is er geen probleem met de ontvangst, maar er wordt geen audio geproduceerd. Probeer het station later nog eens of kies een ander station.	—
	De toegang tot het netwerk wordt beperkt door de firewall-instellingen van de netwerkapparaten (zoals de router).	Controleer de firewall-instellingen op uw apparaten. De internetradio kan alleen worden afgespeeld via de door het radiostation toegewezen poort. Het poortnummer varieert afhankelijk van het radiostation.	—
Het iOS-apparaat detecteert het toestel niet als AirPlay wordt gebruikt.	U gebruikt mogelijk een router die ondersteuning biedt voor meerdere SSID's.	De netwerkscheidingsfunctie van de router kan toegang tot het toestel blokkeren. Als u met een iOS-apparaat verbinding maakt met het toestel, gebruik dan een SSID die toegang tot het toestel toestaat. (Probeer verbinding te maken met de primaire SSID.)	—
Dit toestel wordt niet gedetecteerd bij gebruik van een speciale applicatie op een mobiel apparaat.	Het toestel en het mobiele apparaat zijn niet verbonden met hetzelfde netwerk.	Controleer de netwerk- en routerinstellingen om er zeker van te zijn dat deze zijn verbonden met hetzelfde netwerk.	—
	U gebruikt mogelijk een router die ondersteuning biedt voor meerdere SSID's.	De netwerkscheidingsfunctie van de router kan toegang tot het toestel blokkeren. Als u met een iOS-apparaat verbinding maakt met het toestel, gebruik dan een SSID die toegang tot het toestel toestaat. (Probeer verbinding te maken met de primaire SSID.)	—
Het updaten van de firmware op dit toestel is mislukt.	De netwerkverbinding kan minder goed zijn.	Probeer de update na een tijdje opnieuw.	32
Het toestel kan geen verbinding maken met de draadloze netwerkrouter (access point).	MAC-adresfiltering kan zijn ingeschakeld op de draadloze netwerkrouter (access point).	Het toestel kan geen verbinding maken met de router als MAC adres-filtering is ingeschakeld. Wijzig de instellingen van de draadloze netwerkrouter (access point) en probeer opnieuw verbinding te maken met het toestel.	—

Ondersteunde apparaten en bestandsindelingen

De volgende apparaten en bestandsindelingen kunnen met dit toestel worden gebruikt.

Ondersteunde apparaten

■ Bluetooth-apparaten

- ◆ Gebruik een Bluetooth-apparaat dat het A2DP-protocol ondersteunt.
- ◆ Yamaha kan de werking van alle Bluetooth-apparaten niet garanderen.

■ AirPlay

AirPlay werkt met iPhone, iPad en iPod touch met iOS 4.3.3 of later, Mac met OS X Mountain Lion of later, en PC met iTunes 10.2.2 of later.

Compatibel modellen (vanaf juli 2018)

Gemaakt voor.

iPhone X, iPhone 8 Plus, iPhone 8, iPhone 7 Plus, iPhone 7, iPhone SE, iPhone 6s Plus, iPhone 6s, iPhone 6 Plus, iPhone 6, iPhone 5s, iPhone 5c, iPhone 5, iPhone 4s

iPad Pro (10,5"), iPad Pro (12,9") 2e generatie, iPad Pro (12,9") 1e generatie, iPad Pro (9,7"), iPad mini 4, iPad Air 2, iPad mini 3, iPad Air, iPad mini 2, iPad mini, iPad (5e generatie), iPad (4e generatie), iPad (3e generatie), iPad 2

iPod touch (6e generatie), iPod touch (5e generatie)

Bestandsindelingen

■ PC/NAS

Bestand	Sampling-frequentie (kHz)	Bitdiepte (bit)	Bitrate (kbps)	Aantal kanalen	Ondersteuning van weergave zonder pauze
WAV *	32/44,1/48/ 88.2/96/ 176.4/192	16/24	-	2	✓
MP3	32/44,1/48	-	8–320	2	-
WMA	32/44,1/48	-	8–320	2	-
MPEG-4 AAC	32/44,1/48	-	8–320	2	-
FLAC	32/44,1/48/ 88.2/96/ 176.4/192	16/24	-	2	✓
ALAC	32/44,1/48/ 88.2/96	16/24	-	2	✓
AIFF	32/44,1/48/ 88.2/96/ 176.4/192	16/24	-	2	✓
DSD	2,8 MHz/ 5,6 MHz 11,2 MHz	1	-	2	-

* Alleen lineair PCM-indeling

- ◆ Om FLAC-bestanden af te spelen die zijn opgeslagen op uw PC/NAS moet u server software installeren die het delen van FLAC-bestanden via DLNA op uw PC ondersteunt, of een NAS-apparaat gebruiken dat FLAC-bestanden ondersteunt.
Raadpleeg voor meer informatie de bedieningshandleiding voor de serversoftware.
- ◆ Digital Rights Management-inhoud (DRM) kan niet worden afgespeeld.

Handelsmerken



Gebruik van het opschrift “Works with Apple” betekent dat een accessoire is ontworpen om met de specifieke technologie te werken die op de sticker wordt vermeld en door de ontwikkelaar is gecertificeerd om aan de prestatiestandaard van Apple te voldoen.

Apple, iPad, iPad Air, iPad Pro, iPhone en iTunes zijn handelsmerken van Apple Inc., geregistreerd in de Verenigde Staten en andere landen.

App Store is een dienstmerk van Apple Inc.

Windows™

Windows is een gedepeoneerd handelsmerk van Microsoft Corporation in de V.S. en andere landen.

Internet Explorer, Windows Media Audio en Windows Media Player zijn Kwantisering bitrate van Microsoft Corporation in de Verenigde Staten en/of andere landen.

Android™ Google Play™

Android en Google Play zijn handelsmerken van Google Inc.



Het Wi-Fi CERTIFIED™-logo is een keurmerk van de Wi-Fi Alliance®.

Wi-Fi, Wi-Fi CERTIFIED en Wi-Fi Protected Setup zijn geregistreerde handelsmerken of handelsmerken van de Wi-Fi Alliance®.



Het Bluetooth®-woordteken en logo's zijn gedepeoneerde handelsmerken van Bluetooth SIG, Inc. en elk gebruik van deze tekens door Yamaha Corporation gebeurt onder licentie.

Andere handelsmerken en handelsnamen zijn die van de betreffende eigenaren.



Het Yamaha Ecolabel is een keurmerk dat wordt toegekend aan producten die hoog scoren wat betreft milieuvriendelijkheid.



MusicCast is een handelsmerk of gedepeoneerd handelsmerk van Yamaha Corporation.

Uitleg over GPL/LGPL

Dit product maakt in bepaalde gedeelten gebruik van GPL/LGPL open-source software. U hebt het recht om uitsluitend deze opensource code te verkrijgen, te kopiëren, te wijzigen en opnieuw te verspreiden. Voor informatie over GPL/LGPL open source software, hoe u de broncode kunt verkrijgen en over de GPL/LGPL-licentie, verwijzen we u naar de Yamaha Corporation website:

<https://download.yamaha.com/sourcecodes/musiccast/>

Licenties

Raadpleeg het volgende voor informatie over de licenties voor software van derden in dit product.

[http://\(IP address of this product*\)/licenses.html](http://(IP address of this product*)/licenses.html)

* Het IP-adres van dit product kan worden gecontroleerd met MusicCast CONTROLLER.

Technische gegevens

De specificaties van dit toestel zijn als volgt.

Draaitafelgedeelte

Aandrijvingsmethode	Snaaraandrijving
Motor.	DC motor
Toerental	33 1/3 rpm, 45 rpm
Toerental variatie	±2%
Wow en flutter0,2%
Draaitafel	Gegoten aluminium Diameter 30 cm

Gedeelte draaitafelarm

Type	Static balance rechte draaitafelarm
Effectieve armlengte.223,5 mm
Naalddruk instellen bereik	0–4 g
Acceptabel gewicht element	15,5–19 g (inclusief elementkop)
Overhang.	19 mm

Element gedeelte

Type	MM type
Uitgangsvoltage.	2,5 mV (1 kHz, 3,54 cm/sec)
Naalddruk3,5 ±0,5 g
Element gewicht5,0 ±0,3 g
Element hoogte17,0 ±0,7 mm
Elementkop gewicht	10g (inclusief schroeven, moeren en draden)

Ingangen/uitgangen

Analoge audio (RCA ongebalanceerd)
PHONO OUT×1
LINE OUT×1
NETWORK (bedraad) ×1 (100Base-TX/10Base-T)

Bluetooth

Sink-functie	
Bronapparaat voor dit toestel (ex. smartphone/tablet)	
Ondersteunde codec.SBC, AAC
Ondersteund profiel	A2DP, AVRCP
Bluetooth-versie	Ver. 4,2
Draadloze uitvoer	Bluetooth-klasse 2
Maximale communicatieafstand	10 m zonder interferentie

Netwerk

AirPlay ondersteund
Internetradio

Draadloos netwerk

Draadloze netwerkstandaards	IEEE 802.11 a/b/g/n/ac*
	* Alleen 20 MHz kanaalbandbreedte
Radiofrequentieband	2,4 GHz, 5 GHz
WPS (Wi-Fi Protected Setup)	
PIN-methode	
Beschikbare beveiligingsmethode	
WEP	
WPA2-PSK (AES)	
Mixed Mode	

Audiogedeelte (Netwerk, Bluetooth)

Uitgangsniveau (1 kHz, 0 dB, Fs 44,1 kHz)	2,0 ±0,3 V
Signaal/ruis-verhouding (IHF-A netwerk) (Infinity zero, Fs 44,1 kHz)	110 dB of hoger
Dynamisch bereik (1 kHz, -60 dB, Fs 44,1 kHz)	100 dB of hoger
Harmonische vervorming (1 kHz, 0 dB, Fs 44,1 kHz)	0,003% of lager
Frequentierespons	
Fs 44,1 kHz	2 Hz–20 kHz (+0/-3 dB)
Fs 48 kHz	2 Hz–24 kHz (+0/-3 dB)
Fs 96 kHz	2 Hz–48 kHz (+0/-3 dB)
Fs 192 kHz	2 Hz–96 kHz (+0/-6 dB)

Audiogedeelte (PHONO)

Uitgangsniveau	
PHONO OUT (1 kHz, 3,54 cm/sec)	2,5 mV ±3 dBV
LINE OUT	450 mV (-7 dBV)
Signaal/ruis-verhouding (A-gewogen, 20 kHz LPF)	67 dB of hoger

Algemeen

Netadapter stroomvoorziening	
Ingang	AC 100-240 V 50/60 Hz
Uitgang	12 V 1 A
Stroomverbruik	6 W
Eco standby	0,3 W
Netwerk Standby aan/Bluetooth Standby uit	
Bekabeld	1,4 W
Draadloos (Wi-Fi)	1,8 W
Netwerk Standby aan/Bluetooth Standby aan	
Bekabeld	1,6 W
Draadloos (Wi-Fi)	1,8 W
Gewicht	5,7 kg
Afmetingen (breedte × hoogte × diepte)	450 × 136 × 368 mm
	(inclusief poten en uitstekende delen)

- ◆ De inhoud van deze handleiding geldt voor de meest recente specificaties op de datum dat de handleiding werd gepubliceerd. Voor de meest recente handleiding gaat u naar de website van Yamaha, waar u het bestand met de handleiding kunt downloaden.

Este produto foi projetado para ser usado em casa, para apreciação de áudio.

PRECAUÇÕES

**LEIA ATENTAMENTE ANTES DE USAR.
CERTIFIQUE-SE DE SEGUIR ESTAS
INSTRUÇÕES.**

As precauções listadas abaixo são para prevenir o risco de danos ao usuário e a outros, bem como para prevenir danos à propriedade, e para ajudar o usuário a usar esta unidade de maneira adequada e segura. Certifique-se de seguir estas instruções.

Depois de ler este manual, certifique-se de guardá-lo em um lugar seguro, para consultá-lo quando for preciso.

- Certifique-se de solicitar inspeções e reparos ao revendedor de onde comprou a unidade ou ao pessoal de assistência técnica autorizado da Yamaha.
- A Yamaha não pode ser responsabilizada por ferimentos ao usuário ou danos aos produtos causados pelo uso indevido ou por modificações feitas na unidade.
- Este produto se destina a residências comuns. Não use para aplicações que exijam alta confiabilidade, como gerenciar vidas, tratamento médico ou ativos de alto valor.



ADVERTÊNCIA

Este conteúdo indica “risco de ferimentos graves ou morte”.

Fornecimento de energia e adaptador de CA

- Não faça nada que poderia danificar o cabo de alimentação.
 - Não o coloque perto de um aquecedor.
 - Não o dobre excessivamente nem o altere.
 - Não o arranhe.
 - Não o coloque sob um objeto pesado.Usar o cabo de alimentação com o núcleo do cabo exposto pode causar choques elétricos ou um incêndio.
 - Não toque no plugue de alimentação ou no próprio cabo se houver uma possibilidade de raios. Deixar de observar isso pode causar choques elétricos.
 - Use esta unidade com a voltagem de fornecimento de energia impressa nela. Deixar de conectar a uma tomada de corrente alternada (CA) adequada pode causar um incêndio, choques elétricos ou mau funcionamento.
 - Certifique-se de usar o adaptador CA fornecido. Deixar de observar os itens acima pode causar um incêndio, queimaduras ou mau funcionamento.
- Verifique o plugue de alimentação periodicamente e remova qualquer sujeira ou poeira que possa ter se acumulado nele. Deixar de observar isso pode causar um incêndio ou choques elétricos.
 - Ao instalar a unidade, certifique-se de que a tomada de corrente alternada (CA) a ser usada seja facilmente acessível. Se ocorrer algum problema ou mau funcionamento, desligue o interruptor de alimentação imediatamente e desconecte o plugue da tomada de corrente alternada (CA). Mesmo que o interruptor de alimentação seja desligado, se o cabo de alimentação não for desconectado da tomada de corrente alternada (CA), a unidade não será desconectada da fonte de energia.
 - Se você ouvir trovões ou achar que está se aproximando uma chuva forte com raios, desligue o interruptor de alimentação imediatamente e desconecte o plugue de alimentação da tomada de corrente alternada (CA). Deixar de observar isso pode causar um incêndio ou mau funcionamento.
 - Se não for usar a unidade por um longo período, certifique-se de desconectar o plugue de alimentação da tomada de corrente alternada (CA). Deixar de observar isso pode causar um incêndio ou mau funcionamento.

Não desmonte

- Não desmonte nem modifique esta unidade. Deixar de observar isso pode causar um incêndio, choques elétricos, ferimentos ou maus funcionamentos. Se você perceber qualquer anormalidade, certifique-se de solicitar uma inspeção ou reparo ao revendedor de onde comprou a unidade ou ao pessoal de assistência técnica autorizado da Yamaha.

Advertência relativa a água

- Não exponha a unidade à chuva, não a use perto de água nem em locais úmidos e não coloque sobre ela recipientes (como jarros, garrafas ou copos) contendo líquidos que possam ser derramados em suas aberturas ou locais onde possa cair água. Se algum líquido, como água, entrar na unidade, um incêndio, choques elétricos ou mau funcionamento poderão ocorrer. Se algum líquido, como água, penetrar no dispositivo, desligue-o imediatamente e desconecte o cabo de alimentação da tomada de corrente alternada (CA). Logo, solicite uma inspeção ao revendedor de onde comprou a unidade ou ao pessoal de assistência técnica autorizado da Yamaha.
- Nunca insira nem retire um plugue de alimentação com as mãos molhadas. Não manuseie esta unidade com as mãos molhadas. Deixar de observar isso pode causar choques elétricos ou maus funcionamentos.

Advertência relativa a fogo

- Não coloque nenhum item em chamas ou chamas abertas perto da unidade, pois isso pode causar um incêndio.

Unidade sem fio

- Não use a unidade perto de dispositivos médicos ou dentro de instalações médicas. As ondas de rádio desta unidade podem afetar dispositivos eletromédicos.
- Não use esta unidade entre 15 cm de pessoas com um implante de marca-passo ou implante de desfibrilador. As ondas de rádio desta unidade podem afetar dispositivos eletromédicos, como um marca-passo ou desfibrilador implantado.

Se você perceber alguma anormalidade

- Se ocorrer qualquer uma das seguintes anormalidades, desligue a alimentação imediatamente e desconecte o plugue de alimentação.
 - O cabo/plugue de alimentação está danificado.
 - Um odor anormal ou fumaça é emitido pela unidade.
 - Um material estranho entrou no interior da unidade.
 - Há uma rachadura ou dano na unidade.Continuar a usar neste caso pode causar choques elétricos, um incêndio ou maus funcionamentos. Solicite imediatamente uma inspeção ou reparo ao revendedor de onde comprou a unidade ou ao pessoal de assistência técnica autorizado da Yamaha.

- Tome cuidado para não derrubar ou aplicar um impacto forte nesta unidade ou no adaptador CA. Se você achar que a unidade possa ter sido danificado devido a uma queda ou impacto, desligue a alimentação imediatamente e desconecte o plugue de alimentação da tomada de corrente alternada (CA). Deixar de observar isso pode causar choques elétricos, um incêndio ou maus funcionamentos. Solicite imediatamente uma inspeção ao revendedor de onde comprou a unidade ou ao pessoal de assistência técnica autorizado da Yamaha.



CUIDADO

Este conteúdo indica “risco de ferimentos”.

Fornecimento de energia e adaptador de CA

- Não cubra ou enrole a adaptador CA com um pano ou com um cobertor. Deixar de observar isso pode causar deformação na caixa ou incêndio.
- Não use uma tomada de corrente alternada (CA) em que o plugue de alimentação fique frouxo ao ser inserido. Deixar de observar isso pode causar um incêndio, choques elétricos ou queimaduras.
- Ao retirar o plugue de alimentação da unidade ou de uma tomada de corrente alternada (CA), sempre segure o próprio plugue e não o cabo. Puxar pelo cabo pode danificá-lo e causar choques elétricos ou um incêndio.
- Insira o plugue de alimentação firme e completamente na tomada de corrente alternada (CA). Usar a unidade com um plugue conectado de maneira insuficiente pode causar a acumulação de poeira no plugue, causando um incêndio ou queimaduras.

Instalação

- Não coloque a unidade em uma posição instável, em que ela possa cair ou tombar acidentalmente e causar ferimentos.
- Ao instalar esta unidade:
 - Não a cubra com nenhum pano.
 - Não a instale em um tapete ou cobertor.
 - Certifique-se de que a superfície superior esteja virada para cima; não instale de lado ou de cabeça para baixo.
- Certifique-se de que a parte superior está voltado para cima. Deixar de observar isso pode causar mau funcionamento ou causar a queda da unidade, causando ferimentos ou danos.
- Não instale a unidade em um local em que ela possa entrar em contato com gases corrosivos ou maresia; ou locais com muita fumaça ou vapor. Fazer isso pode causar maus funcionamentos.
- Evite ficar perto da unidade durante um desastre, como um terremoto. Visto que a unidade pode tombar ou cair e causar ferimentos, afaste-se rapidamente da unidade e vá para um lugar seguro.
- Antes de mover esta unidade, certifique-se de desligar o interruptor de alimentação e de desconectar todos os cabos de conexão. Se você não tomar esses cuidados, os cabos poderão ser danificados, ou você ou outra pessoa poderá tropeçar neles e cair.

Perda da audição

- Antes de conectar a unidade a outros dispositivos, desligue a alimentação de todos os dispositivos. Deixar de fazer isso pode resultar na perda da audição, choque elétrico ou danos nos dispositivos.
- Ao ligar a corrente alternada (CA) em seu sistema de áudio, sempre ligue o amplificador ou receiver POR ÚLTIMO, para evitar a perda da audição e danos aos alto-falantes. Ao desligar a alimentação, o amplificador ou receiver deve ser desligado PRIMEIRO pela mesma razão. Deixar de observar o mencionado acima pode causar uma deficiência auditiva ou danos aos alto-falantes.

Manutenção

- Remova o plugue de alimentação da tomada de corrente alternada (CA) antes de limpar a unidade. Deixar de observar isso pode causar choques elétricos.

Cuidado relativo ao manuseio

- Mantenha as peças pequenas fora do alcance de bebês. Os seus filhos podem ingeri-los acidentalmente.
- Não faça o seguinte:
 - ficar de pé ou sentar sobre o equipamento.
 - colocar itens pesados sobre o equipamento.
 - colocar o equipamento em uma pilha.
 - aplicar força excessiva nos botões, interruptores, terminais de entrada/saída, etc.
 - apoiar contra o equipamento.
- Evite puxar os cabos conectados para evitar ferimentos ou danos à unidade causados por sua queda.

Aviso

Indica pontos que você deve observar para prevenir uma falha, dano ou mau funcionamento do produto, ou perda de dados.

Fornecimento de energia e adaptador de CA

- Se não for usar a unidade por um longo período, tire o plugue de alimentação da tomada. Um minuto de corrente ainda flui mesmo que a alimentação tenha sido desligada (a alimentação está em standby).

Instalação

- Não use a unidade perto de outros equipamentos eletrônicos, como uma TV, rádio ou telefone celular. Deixar de observar isso pode fazer que a unidade ou TV ou rádio produza um ruído.
- Não use a unidade em locais em que ela fique exposta à vibração ou poeira excessiva ou exposta à luz solar direta, ao calor extremo, como perto de um aquecedor, ou ao frio extremo. Deixar de observar isso pode causar a deformação do painel da unidade, o mau funcionamento dos componentes internos ou a instabilidade na operação.
- Se for usar uma função sem fio, evite instalar a unidade perto de mesas ou paredes de metal, fornos micro-ondas ou outros dispositivos de rede sem fio.
Obstruções podem reduzir a distância de transmissão.

Conexões

- Se for conectar unidades externas, leia com atenção o manual de cada unidade e conecte-as de acordo com as instruções.
Se a unidade não for manuseada da forma adequada e de acordo com as instruções, ela talvez não funcione corretamente.

Manuseio

- Não coloque produtos de plástico ou borracha em cima da unidade. Deixar de observar isso pode causar a deformação ou descoloração do painel da unidade.
- Se a temperatura ambiente mudar de maneira drástica, como durante o transporte da unidade ou em casos de aquecimento ou resfriamento rápidos, e se houver a possibilidade de condensação na unidade, não ligue a alimentação dela durante várias horas, até que ela esteja totalmente seca para o uso. Usar a unidade enquanto há condensação pode causar mau funcionamento.

Manutenção

- Se a temperatura ou a umidade mudar drasticamente, gotas de água (condensação) podem se formar sobre a superfície da unidade. Se gotas de água se formarem, limpe imediatamente com um pano macio. Se gotas de água são deixadas na unidade, elas podem ser absorvidas pelas partes de madeira, causando deformação.
- Quando for limpar a unidade, use um pano macio e seco. Usar produtos químicos, como benzina ou solvente, produtos de limpeza ou panos de limpeza com produtos químicos pode causar descoloração ou deformação.

Informação

Sobre o conteúdo do manual

- As ilustrações e as capturas de tela neste manual são apenas para fins instrutivos.
- Os nomes das empresas e dos produtos neste manual são as marcas comerciais ou as marcas comerciais registradas de suas respectivas empresas.
- O software pode ser revisado e atualizado sem aviso prévio.

■ Sobre a placa de identificação da unidade

O número de modelo, número de série, requisitos de energia, etc. podem ser encontrados na placa de nome, que está na parte inferior da unidade. Anote-o no espaço reservado abaixo e guarde este manual como registro de compra permanente para auxiliar na identificação do produto em caso de roubo.

N° do modelo

N° de série

(bottom_pt_01)

[Modelo do Europa]

Funções de comunicação sem fio

Bluetooth

Frequência de Rádio (Frequência de Funcionamento): 2402 MHz a 2480 MHz
Potência de Saída Máxima (EIRP): 7,27 dB

Wi-Fi (2,4 GHz)

Frequência de Rádio: 2402 MHz a 2482 MHz
Potência de Saída Máxima (EIRP): 19,98 dB

Wi-Fi (5 GHz)

Frequência de Rádio, Potência de Saída Máxima (EIRP):
5170 a 5250MHz, 22,03 dBm
5250 a 5330MHz, 22,27 dBm
5490 a 5710MHz, 24,56 dBm
5735 a 5835MHz, 13,96 dBm

- Os dispositivos sem fio que transmitem em uma banda de frequência de 5 GHz só podem ser usados em interiores. O uso de tais dispositivos ao ar livre é proibido por lei.

Este produto contém a placa WN9711BTAAC-YA, código de homologação ANATEL 01708-18-02386.

Para consultas, visite: www.anatel.gov.br

A informação abaixo refere-se à certificação do módulo sem fio usado com este produto.



MODELO: WN9711BTAAC-YA 01708-18-02386

Este equipamento não tem direito à proteção contra interferência prejudicial e não pode causar interferência em sistemas devidamente autorizados.

Este produto está homologado pela Anatel, de acordo com os procedimentos regulamentados pela Resolução nº242/2000 e atende aos requisitos técnicos aplicados, incluindo os limites de exposição da Taxa de Absorção Específica referente a campos elétricos, magnéticos e eletromagnéticos de radiofrequência, de acordo com as Resoluções nº 303/2002 e 533/2009.

Este dispositivo está em conformidade com as diretrizes de exposição à radiofrequência quando posicionado a pelo menos 20 centímetros de distância do corpo. Para maiores informações, consulte o site da Anatel – www.anatel.gov.br

Informações para os utilizadores relativas à recolha e eliminação de baterias e equipamentos usados



Os símbolos ilustrados, presentes em produtos, embalagens e/ou incluídos na documentação associada, indicam que as baterias e os produtos elétricos e eletrónicos usados não devem ser eliminados juntamente com os resíduos domésticos em geral. O procedimento correto consiste no tratamento, recuperação e reciclagem de produtos e baterias usados, pelo que deve proceder à respetiva entrega nos pontos de recolha adequados, em conformidade com a legislação nacional em vigor.

A eliminação destes produtos e baterias de forma adequada permite poupar recursos valiosos e evitar potenciais efeitos prejudiciais para a saúde pública e para o ambiente, associados ao processamento incorreto dos resíduos.

Para mais informações relativas à recolha e reciclagem de baterias e produtos usados, contacte as autoridades locais, o serviço de eliminação de resíduos ou o ponto de venda onde foram adquiridos os itens relevantes.



Informações para utilizadores empresariais na União Europeia:

Para proceder à eliminação de equipamento elétrico e eletrónico, contacte o seu revendedor ou fornecedor para obter informações adicionais.



Informações relativas à eliminação em países não pertencentes à União Europeia:

Estes símbolos são válidos exclusivamente na União Europeia. Caso pretenda eliminar este tipo de itens, contacte as autoridades locais ou o seu revendedor e informe-se acerca do procedimento correto para proceder à respetiva eliminação.

Cd

Nota relativa ao símbolo referente a baterias (os dois exemplos de símbolos na parte inferior):

Este símbolo poderá ser apresentado com um símbolo químico associado. Neste caso, significa que está em conformidade com os requisitos estabelecidos na Diretiva da UE relativa a Baterias no âmbito do elemento químico relacionado.

(weee_battery_eu_pt_02a)



Conteúdo

Antes de começar **8**

O que você pode fazer com esta unidade	8
Sobre este manual	9
Manuseando discos	9
Verifique os acessórios fornecidos	9
Componentes e suas funções	10
Painel superior	10
Painel traseiro	12

Preparativos **13**

Posição	13
Montagem	13
Montando a unidade	13
Prendendo a tampa contra poeira	15
Fazendo conexões	16
Conectando um amplificador	16
Conectando um cabo de rede	17
Fazendo ajustes	18
Ajustando da pressão da agulha	18
Ajustando a anti-patinação	20
Ligando a alimentação	20
Sobre os modos de standby desta unidade	20
Conectando a unidade na rede	21

Reprodução 23

Ouvir um disco	23
Ouvindo rádio via internet	26
Ouvindo serviços de streaming	26
Reproduzindo arquivos de música armazenada em servidores de mídia (PC/NAS).	27
Configuração de compartilhamento de mídia	27
Reprodução de arquivos de música	27
Ouvindo música via Bluetooth	28
Ouvindo música via AirPlay	29
Usando o MusicCast CONTROLLER para registrar favoritos.	29

Configurações detalhadas 30

Realizando configurações através do MusicCast CONTROLLER	30
Configurando o timer de repouso	30
Ativando/desativando a reprodução automática	30
Ativando/desativando o standby automático	30
Realizando configurações através de um navegador de web	31
Acessando a tela de configurações	31

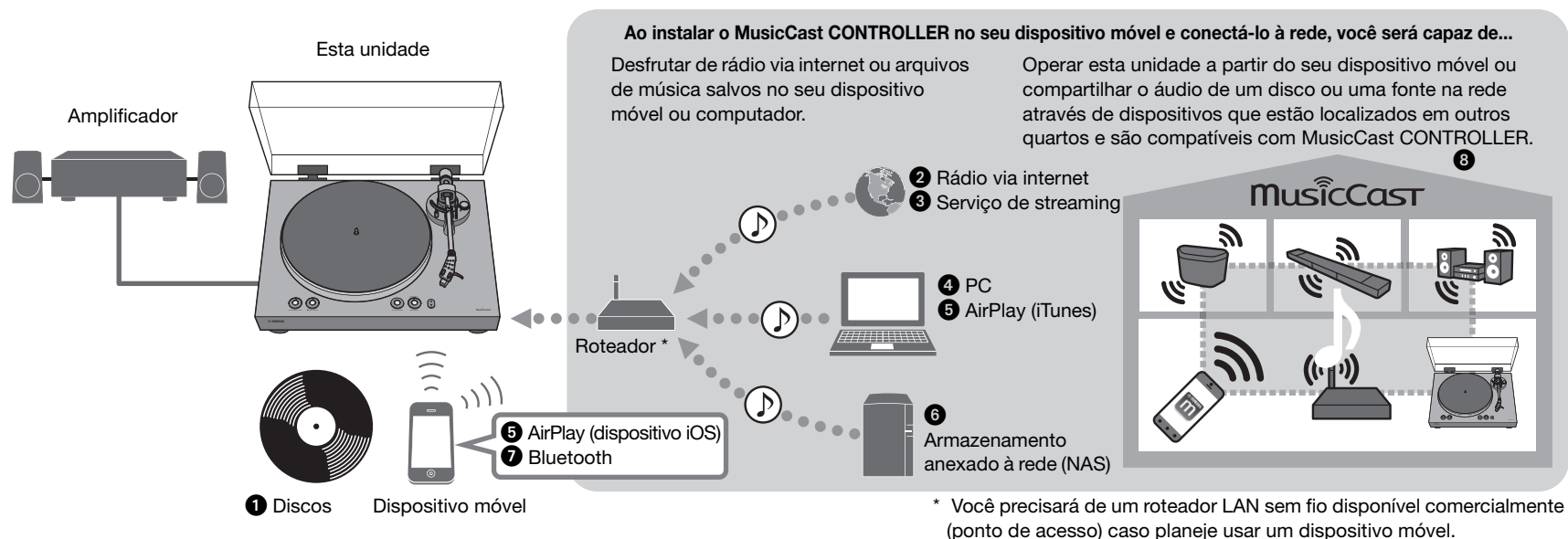
Quando necessário 32

Atualizando o firmware	32
Iniciando as configurações	33
Conectando à uma rede utilizando a função WAC	33
Cuidados	34
Substituição	34
Substituindo a correia	34
Substituindo a agulha	35
Movendo esta unidade	35
Solucionando problemas	36
Geral	36
Bluetooth	38
Rede	39
Dispositivos suportados e formatos de arquivo	41
Dispositivos suportados	41
Formatos de arquivo	41
Marcas comerciais	42
Especificações	43

Antes de começar

O que você pode fazer com esta unidade

Esta unidade é um toca-discos em rede que suporta a reprodução a partir das fontes na rede, tais como servidores de mídia ou dispositivos móveis, além de tocar discos.



1 Reproduzir um disco (⇒ página 23)

2 Escutar rádio via internet (⇒ página 26)

3 Escutar serviços de streaming (⇒ página 26)

4 Reproduzir arquivos de música armazenados no seu PC (⇒ página 27)

5 Reproduzir arquivos de música com o AirPlay (⇒ página 29)

6 Reproduzir arquivos de música armazenados em um dispositivo de armazenamento anexado à rede (NAS) (⇒ página 27)

7 Reproduzir conteúdo de áudio de um dispositivo Bluetooth (⇒ página 28)

8 Reproduzir música usando o MusicCast CONTROLLER (⇒ página 21)

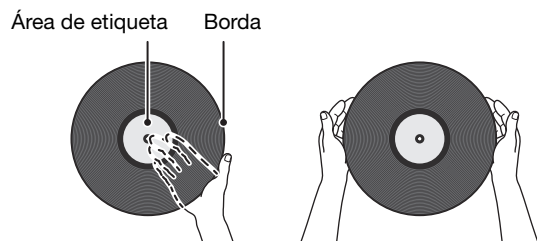
Sobre este manual

Ao ler este manual, observe o seguinte.

- ◆ As especificações e a aparência estão sujeitas a alterações sem aviso prévio, a fim de melhorar o produto.
- ◆ Neste manual, o iPhone, iPad e iPod touch são referidos coletivamente como “dispositivo iOS”.
- ◆ Esta seção usa as telas do MusicCast CONTROLLER exibidas em inglês no iPhone como exemplos.
- ◆ Explicação dos símbolos gráficos usados neste manual:
 - “**⚠ ADVERTÊNCIA**” indica pontos que você deve observar para evitar o risco de morte ou ferimentos graves.
 - “**⚠ CUIDADO**” indica pontos que você deve observar para evitar o risco de ferimentos.
 - **AVISO** Indica pontos que você deve observar para evitar danificar o produto ou causar mau funcionamento.
 - **OBSERVAÇÃO** Indica informações adicionais que você vai achar útil.

Manuseando discos

Ao segurar um disco, você deve apoiar tanto a área da etiqueta do disco e a sua borda, ou manter as bordas do disco entre as suas duas mãos.



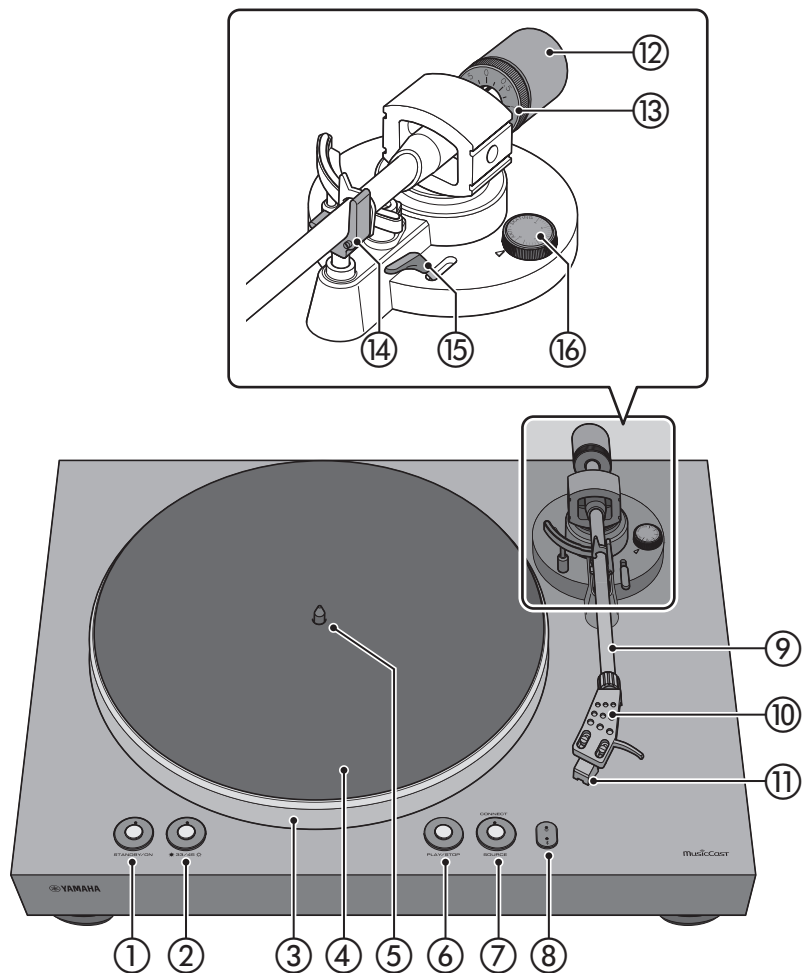
Verifique os acessórios fornecidos

Certifique-se de que todos os itens estão presentes.

<input type="checkbox"/> Prato x1 	<input type="checkbox"/> Suporte do prato x1 	<input type="checkbox"/> Correia x1 * A correia está instalado no prato.
<input type="checkbox"/> Contrapeso x1 	<input type="checkbox"/> Cabeçote x1 (com cápsula) 	<input type="checkbox"/> Adaptador 45 rpm x1
<input type="checkbox"/> Tampa contra poeira x1 	<input type="checkbox"/> Dobradiça da tampa contra poeira x2 	<input type="checkbox"/> Cabo estéreo RCA x1
<input type="checkbox"/> Adaptador CA x1 * Para mais detalhes, consulte o “suplemento” (folheto).	<input type="checkbox"/> Manual do Proprietário (este manual) <input type="checkbox"/> Suplemento (folheto)	

Componentes e suas funções

Painel superior



① STANDBY/ON (alimentação)

Altera a alimentação da unidade entre ligado e standby (desligado).
(⇒ página 20)

Indicador STANDBY/ON (alimentação)

Indica o status de alimentação da unidade.

Aceso: Alimentação ligada

Fracamente aceso: Alimentação em standby de rede (⇒ página 20)

Apagada: Alimentação em standby ecológico (⇒ página 20)

② 33/45 (velocidade) (⇒ página 24)

Indicador de velocidade (⇒ página 24)

③ Prato (⇒ página 13)

④ Suporte do prato (⇒ página 14)

⑤ Pino central (⇒ página 13)

⑥ PLAY/STOP (reproduzir/parar) (⇒ página 24)

Faz o prato girar ou parar.

OBSERVAÇÃO

- ◆ Caso a fonte (fonte de áudio) seja na rede ou Bluetooth, reproduz/interrompe a fonte na rede.

⑦ SOURCE

Seleciona a fonte (fonte de áudio) para esta unidade. Cada vez que você pressionar, a fonte alterna entre PHONO, rede e Bluetooth.

OBSERVAÇÃO

- ◆ A fonte pode ser alternada caso o comutador de seleção da saída de áudio do painel traseiro desta unidade estiver configurado para LINE OUT.

Indicador de SOURCE

A cor do indicador muda dependendo da fonte.

Fonte	Cor do indicador
PHONO	Branco
rede (AirPlay)	Rosa
rede (excepto AirPlay)	Verde
Bluetooth	Azul

OBSERVAÇÃO

- ◆ Quando um novo firmware é fornecido, o indicador pisca em laranja. (⇒ página 32)

CONECTAR

Utilize esta opção ao usar o MusicCast CONTROLLER para configurar a conexão de rede. (⇒ página 21)

⑧  Indicador (LAN sem fio)

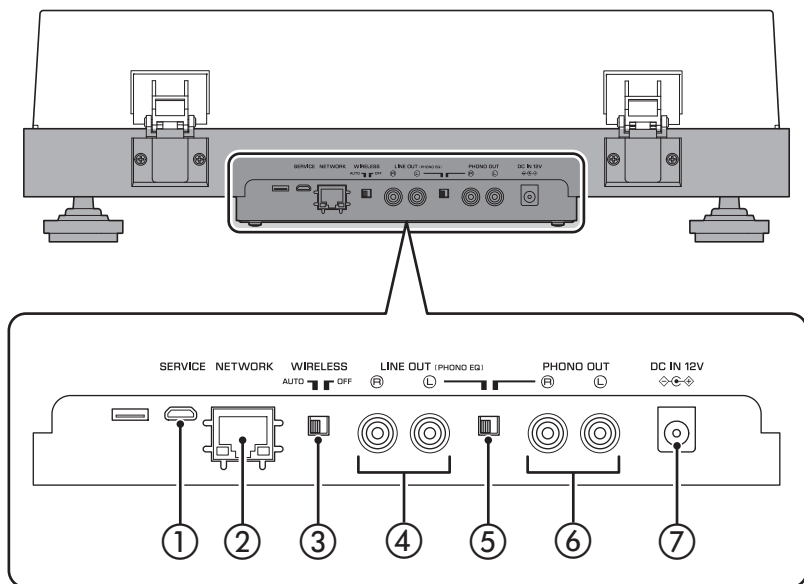
Acende quando a unidade faz uma conexão sem fio. (⇒ página 21)

 Indicador (Bluetooth)

Acende quando a unidade conectada a um dispositivo Bluetooth. (⇒ página 28)

⑨ Braço (⇒ página 14)**⑩ Cabeçote (⇒ página 14)****⑪ Cápsula****⑫ Contrapeso (⇒ página 19)****⑬ Anel do contrapeso (⇒ página 19)****⑭ Suporte do braço (⇒ página 18)****⑮ Alavanca de suspensão (⇒ página 24)****⑯ Anti-patinação (⇒ página 20)**

Painel traseiro



- ① **Conector de SERVICE**
Este conector é apenas para manutenção. Normalmente não é usado.
- ② **Conector de NETWORK**
Use um cabo LAN (disponível comercialmente) para conectar a sua rede.
- ③ **Comutador WIRELESS**
Habilita/desabilita a função sem fios desta unidade (incluindo Bluetooth).
AUTO (padrão): A função sem fio é ativada.
OFF: A função é desativada.
- ④ **Conector de LINE OUT**
Libera o áudio reproduzido do disco ou da fonte da rede. (⇒ página 16)
- ⑤ **Comutador de seleção da saída de áudio**
Altera a saída de áudio. (⇒ página 16)
LINE OUT (padrão): O sinal da cápsula é amplificado pelo equalizador fono que é montado nesta unidade e é liberado dos conectores de LINE OUT.
PHONO OUT: O sinal da cápsula é liberado diretamente dos conectores de PHONO OUT.
- ⑥ **Conectores de PHONO OUT**
Esses conectores liberam o áudio reproduzido do disco. (⇒ página 17)
- ⑦ **Conector de DC IN**
Conecta o adaptador CA (incluso) neste conector. (⇒ página 16)

Preparativos

Posição

Devido a reprodução do disco ser facilmente afetada por vibrações, coloque a unidade em um local onde não esteja sujeito a vibrações externas. Coloque suficientemente longe de seu sistema de alto-falantes, de modo que não irá ser afetado pela pressão de som ou vibração.

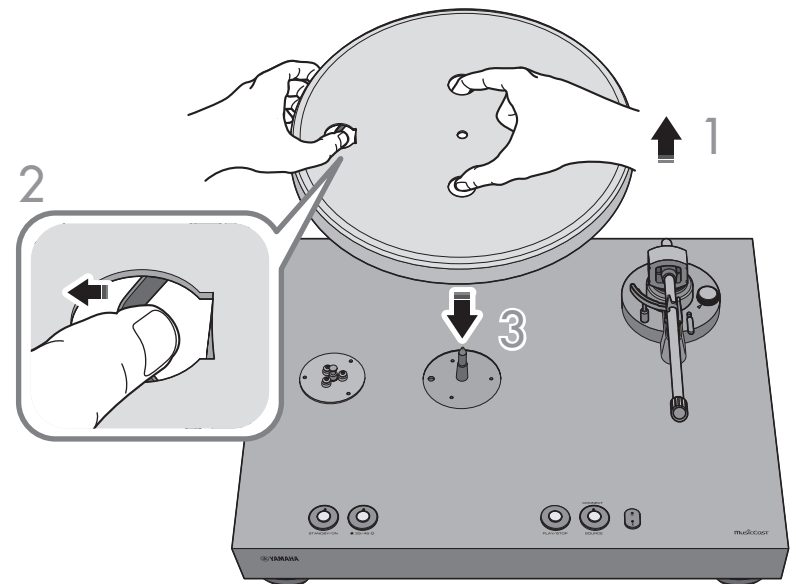
Montagem

Montando a unidade

- 1 Levante o prato.
- 2 Alcançando o furo redondo no prato, puxe a correia para fora enganchando com seu dedo.
- 3 Insira o prato no pino central.

CUIDADO

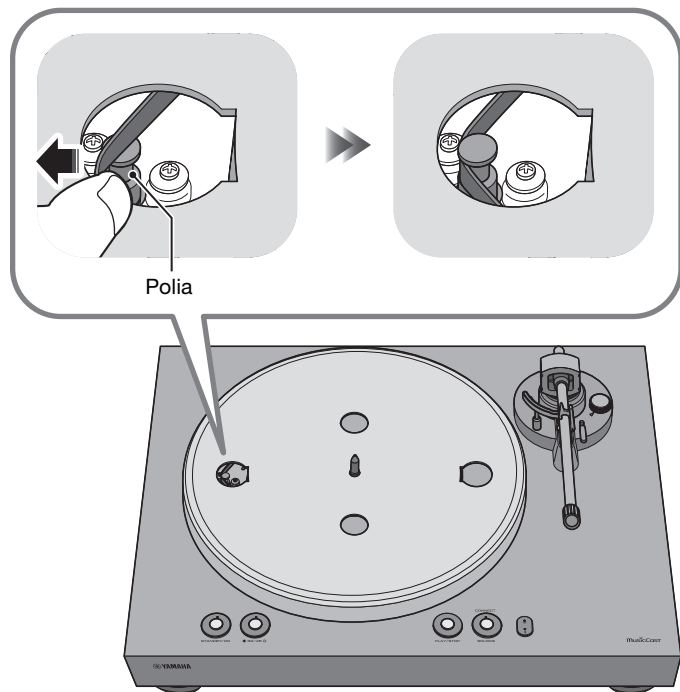
- ◆ Tome cuidado para não deixar o prato cair. A queda pode causar ferimentos ou pode danificar a unidade.



4 Alinhe o furo redondo do prato com a polia.

5 Use o seu dedo para enganchar a correia na polia.

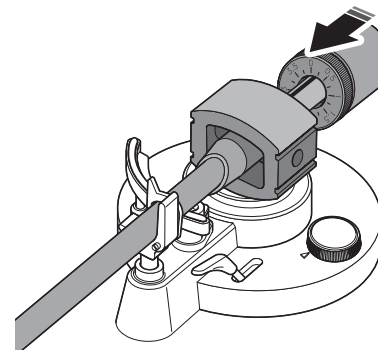
Tome cuidado para que o correia não esteja torcida. Depois de enganchar a correia na polia, gire o prato várias vezes para garantir que a correia esteja no lugar correto.



6 Coloque o suporte do prato sobre o prato.

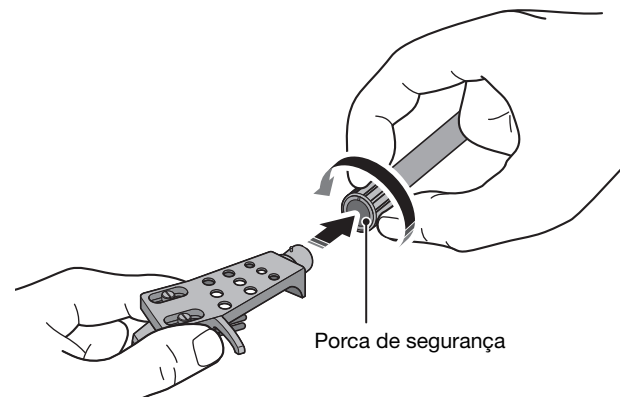
7 Prenda o contrapeso do braço.

Com as marcas do contrapeso voltado para você, deslize-o pela extremidade traseira do braço.



8 Prenda o cabeçote no braço.

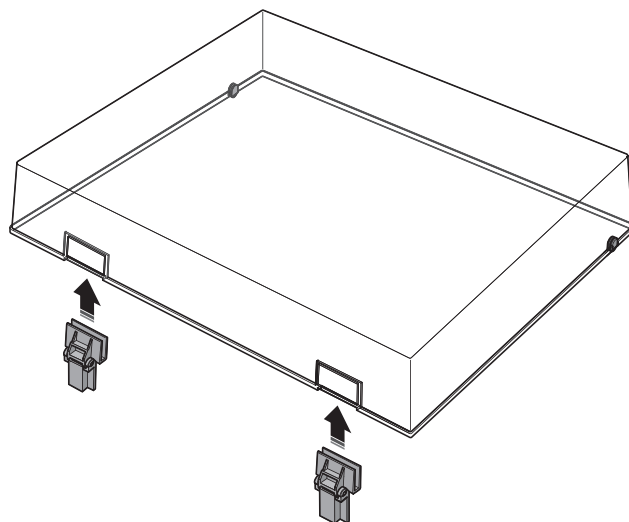
Insira o cabeçote na extremidade dianteira do braço e gire a porca de segurança para prendê-lo.



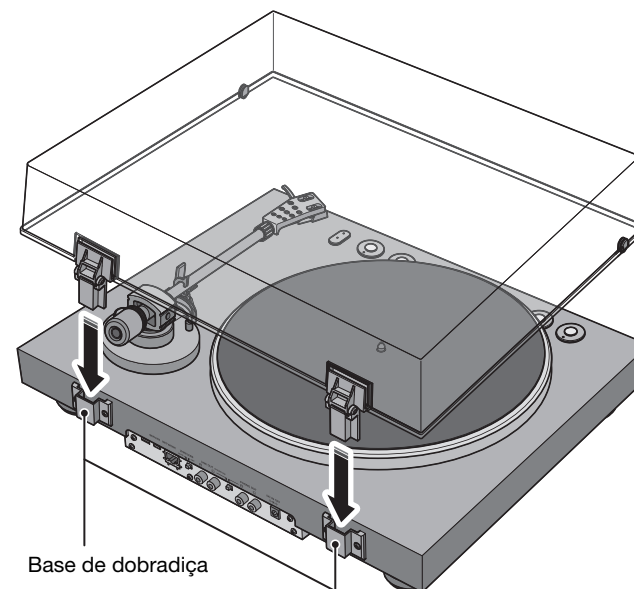
Prendendo a tampa contra poeira

A tampa protege esta unidade contra a poeira, etc.

- 1 Insira as dobradiças nos locais apropriados nos dois lados da tampa contra poeira.



- 2 Prenda a tampa contra poeira, inserindo as dobradiças em suas bases situadas no painel traseiro da unidade.



OBSERVAÇÃO

- ◆ Para remover a tampa contra poeira, segure os seus lados desta e levante lentamente para cima para removê-la junto com as dobradiças.



CUIDADO

- ◆ Tome cuidado para não prender as mãos ou os dedos ao abrir ou fechar a tampa contra poeira.

Fazendo conexões

Conectando um amplificador

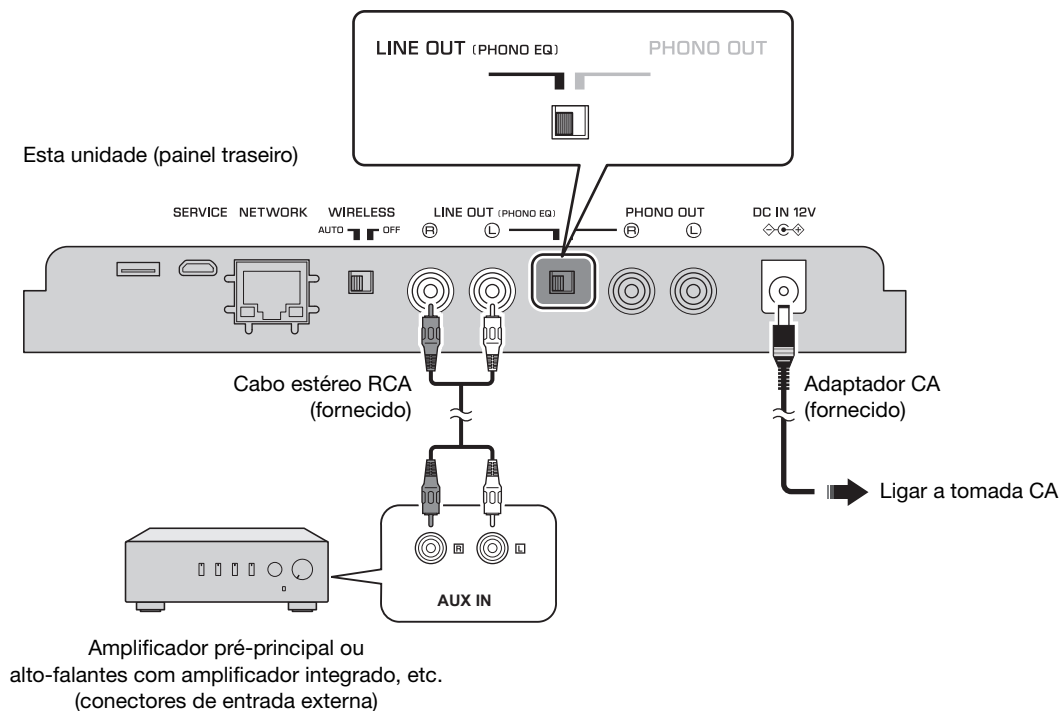
Faça conexões como mostrado na ilustração a seguir.

CUIDADO

- ◆ Não conecte os cabos de alimentação desta unidade em outros dispositivos conectados a tomadas elétricas até que todas as configurações do comutador de seleção da saída de áudio estejam completas.

■ Caso use a LINE OUT desta unidade

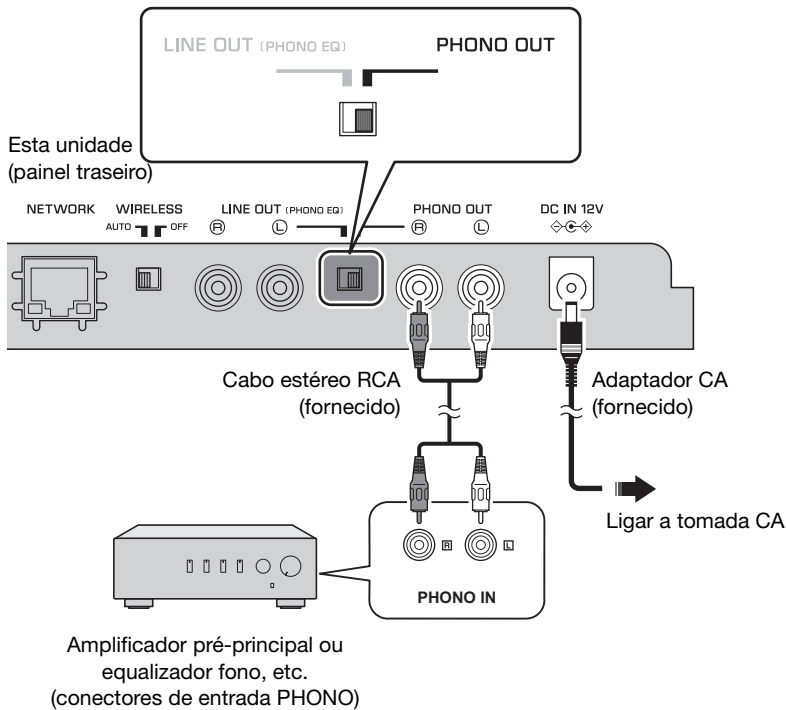
Fontes que podem ser reproduzidas: Discos, todas as fontes de rede, incluindo rádio via internet e Bluetooth



■ Caso esteja usando os conectores de PHONO OUT da unidade

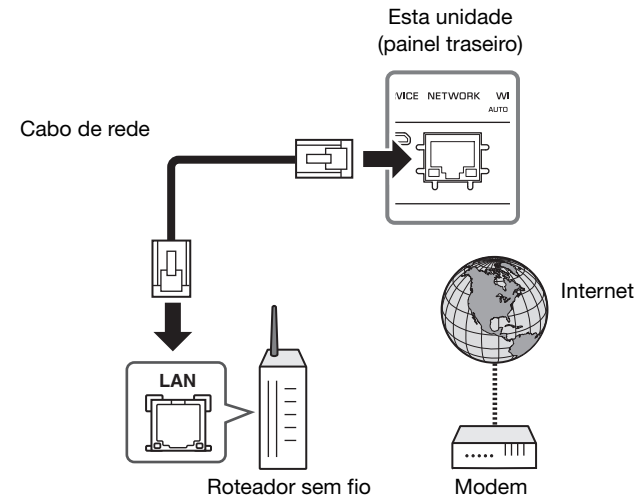
Fontes que podem ser reproduzidas: Discos

A função de rede desta unidade não pode ser utilizada.



Conectando um cabo de rede

Para usar uma conexão com fio à rede, conecte esta unidade ao seu roteador usando um cabo de rede STP disponível no comércio (cabo direto de classificação CAT-5 ou superior). Para se conectar sem fio à rede, prossiga para "Conectando a unidade na rede" (⇒ página 21).



OBSERVAÇÃO

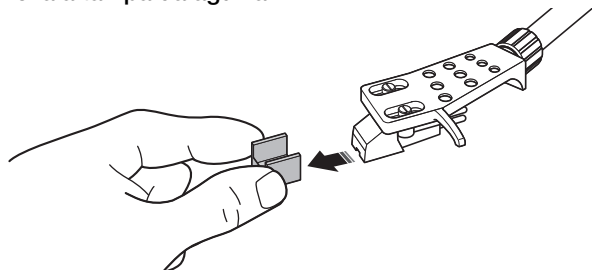
- ◆ Conecte o cabo de rede antes de ligar a alimentação desta unidade.
- ◆ Você pode conectar à rede através de uma conexão com fio, independentemente de o comutador WIRELESS localizado no painel traseiro desta unidade estar configurado para AUTO ou OFF. (⇒ página 12)
- ◆ Caso a unidade já esteja conectada sem fio à rede, coloque a alimentação desta unidade no modo standby, deixe o comutador WIRELESS do painel traseiro OFF e, em seguida, ligue a alimentação. (⇒ página 12)

Fazendo ajustes

Ajustando da pressão da agulha

Ajuste o braço de modo que a pressão adequada da agulha seja aplicada no disco.

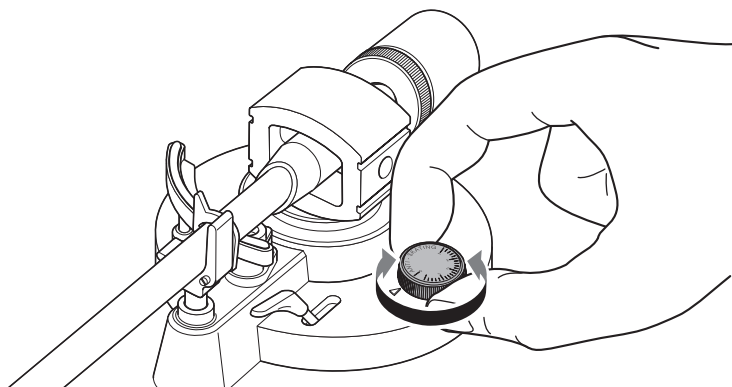
- 1 Remova a tampa da agulha.



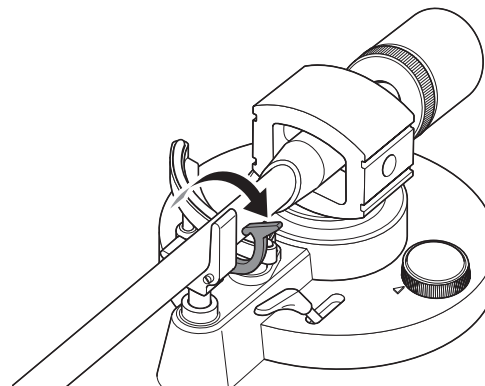
AVISO

- ◆ Tome cuidado para que a tampa da agulha ou o seu dedo não entrem em contato com a agulha.

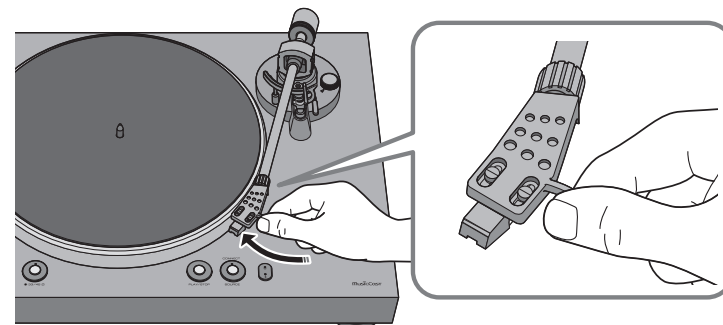
- 2 Coloque o ajuste anti-patinação na posição "0".



- 3 Solte a trava do braço.



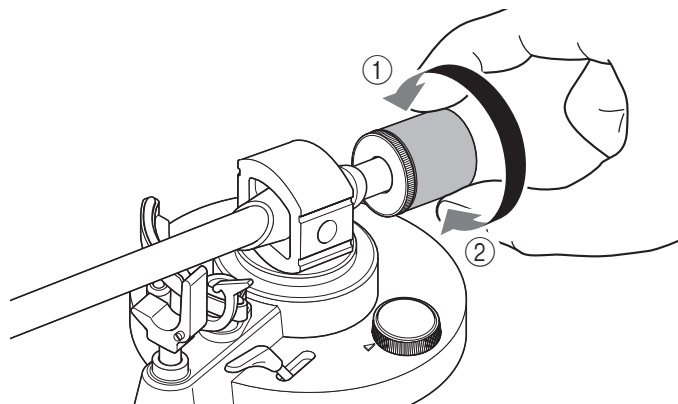
- 4 Mova o braço para fora do seu suporte e levemente para a esquerda.



AVISO

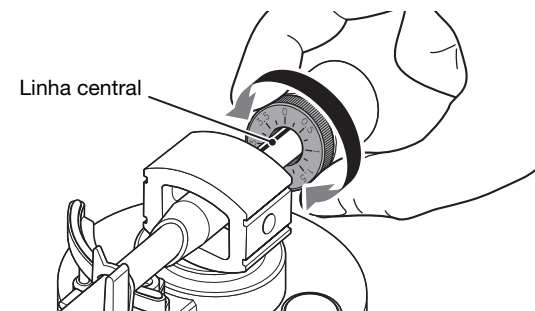
- ◆ Tome cuidado para que a agulha não entre em contato com qualquer parte da unidade.

- 5** Gire o contrapeso de modo que o braço esteja na horizontal.
 Na direção ①: Contrapeso move no sentido para dentro do braço.
 Na direção ②: Contrapeso move no sentido para fora do braço.

**Certo**Braço está na horizontal
(equilibrado)**Errado**Contrapeso está muito para
dentro**Errado**Contrapeso está muito para
fora

- 6** Retorne o braço para o suporte e trave-o no lugar.

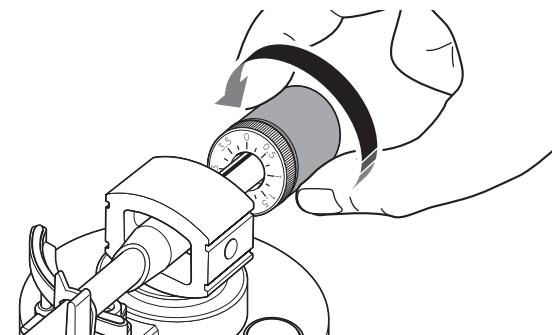
- 7** Gire o anel do contrapeso para que a marca “0” esteja alinhada com a linha central na extremidade traseira do braço.

**OBSERVAÇÃO**

- ◆ Ao girar o anel do contrapeso, use seus dedos para pressionar o contrapeso para que ele não gire.

- 8** Girando o contrapeso, coloque as marcações deste na pressão da agulha especificada para a cápsula.

A pressão especificada da agulha para a cápsula fornecida é de 3,5 g.

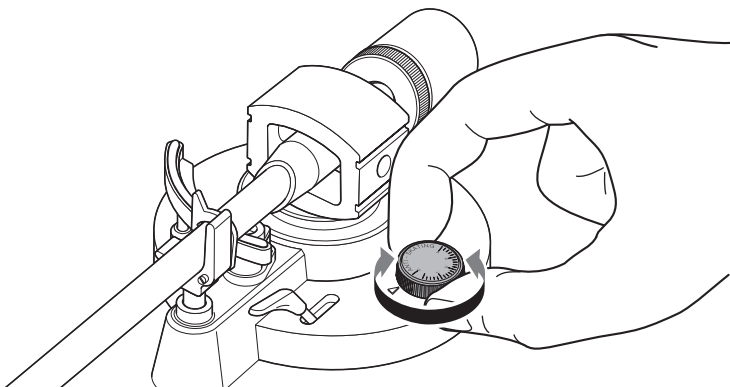
**OBSERVAÇÃO**

- ◆ Girar o contrapeso também gira o anel deste.

Ajustando a anti-patinação

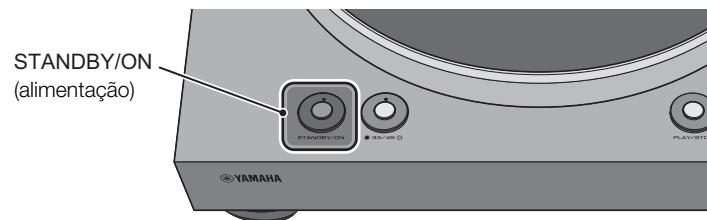
Como o prato gira, a ponta da agulha gera uma força que a empurra para o centro de rotação. Caso o valor da anti-patinação é colocada no mesmo valor da pressão da agulha, é gerada uma força que puxa a ponta da agulha para fora do centro de rotação, onde as duas anulam-se mutuamente.

- 1 Gire a anti-patinação para o mesmo valor da pressão da agulha da cápsula.



Ligando a alimentação

No painel superior da unidade, pressione STANDBY/ON (alimentação) para ligar a alimentação da unidade. Pressione STANDBY/ON (alimentação) mais uma vez para colocar a unidade no modo de espera.



OBSERVAÇÃO

- ◆ Na primeira vez em que alimentação é ligada após a compra da unidade ou ao inicializá-la, o indicador (LAN sem fio) pode piscar. Caso pisque, você pode conectar à rede sem fio compartilhando as configurações de rede do seu dispositivo iOS. (⇒ página 33)
A fim de desfrutar da música a partir de uma variedade de fontes de rede, use o MusicCast CONTROLLER para conectar-se à sua rede. (⇒ página 21)

Sobre os modos de standby desta unidade

Esta unidade possui dois tipos de modo standby.

Standby de rede: A alimentação deste dispositivo pode ser ligado a partir de um dispositivo de rede. (apenas quando o comutador de seleção da saída de áudio está configurado para LINE OUT)

Standby ecológico: Este modo reduz o consumo de energia no modo standby.

OBSERVAÇÃO

- ◆ Caso queira mudar para a configuração do modo standby ecológico, você pode usar o navegador de web para alterar a configuração Standby. (⇒ página 31)
- ◆ Caso queira mudar temporariamente para o modo de standby ecológico, mantenha pressionado STANDBY/ON (alimentação) por cinco segundos enquanto a unidade estiver ligada. (apenas quando o comutador de seleção da saída de áudio está configurado para LINE OUT)

Conectando a unidade na rede

Esta seção explica como registrar a unidade com MusicCast e configurar a unidade para a conexão de rede .

Mesmo se o dispositivo esteja conectado à rede através de um cabo, é necessário registrar o MusicCast para reproduzir fontes da rede .

OBSERVAÇÃO

- ◆ Caso queira reproduzir fontes de áudio de alta resolução através da rede, uma conexão com fio é recomendada para reprodução mais estável. (⇒ página 17)
- ◆ Seu dispositivo móvel já deve estar conectado ao roteador LAN sem fio (ponto de acesso).

1 Instale o MusicCast CONTROLLER no seu dispositivo móvel.

Na App Store ou no Google Play, pesquise por MusicCast CONTROLLER (gratuito) e instale-o no seu dispositivo móvel.

Para mais informações sobre o MusicCast CONTROLLER, consulte o seguinte site.

<https://www.yamaha.com/musiccast/>



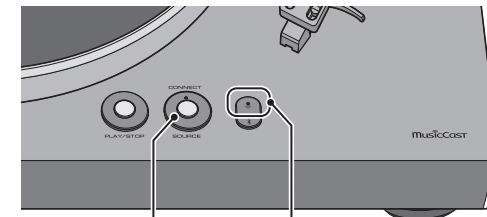
MusicCast CONTROLLER é um aplicativo para controlar dispositivos com suporte MusicCast. Ele permite compartilhar música entre múltiplos dispositivos compatíveis com MusicCast que são colocados em salas diferentes. Você pode usar seu smartphone ou outro dispositivo móvel como um controle remoto e facilmente selecionar músicas e fazer configurações no dispositivo compatível com MusicCast .

2 Inicialize o MusicCast CONTROLLER no seu dispositivo móvel e, em seguida, toque em “Configurações”.



3 Inicialize o MusicCast CONTROLLER conforme as instruções que aparecem na tela do seu dispositivo móvel e no painel superior da unidade, mantenha pressionado o botão CONNECT por cinco segundos.


O indicador (LAN sem fio) pisca.



CONNECT

Indicador (LAN sem fio)


4 Siga as instruções no visor do dispositivo móvel para operar o MusicCast CONTROLLER para configurar a rede.

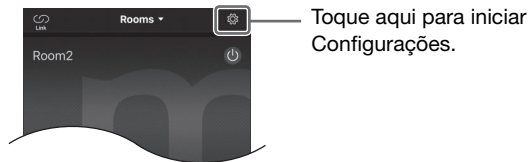
Quando esta unidade se conecta à rede, o indicador  (LAN sem fio) é aceso.

Agora a unidade está registrada com MusicCast e as configurações de rede estão completas.

Use o MusicCast CONTROLLER para reproduzir música.

OBSERVAÇÃO

- ◆ Para configurar outros dispositivos compatíveis com MusicCast, toque em  (Configurações), no canto superior direito da tela do MusicCast CONTROLLER e, em seguida, selecione “Adicionar Novo Dispositivo”.



Reprodução

Ouvir um disco

Como fazer para reproduzir um disco.

■ Iniciar a reprodução

! CUIDADO

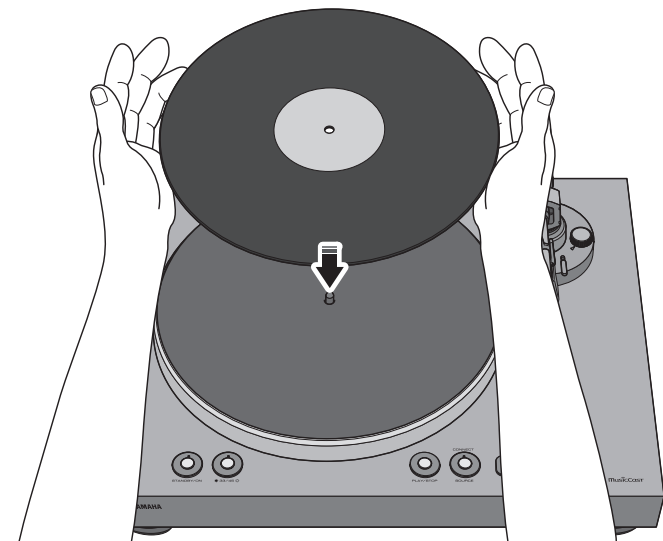
- ◆ Caso toque um disco sem abaixar suficientemente o volume do amplificador, um som alto pode ocorrer quando a ponta da agulha entrar em contato com o disco. Isso pode causar perda de audição e pode danificar seu amplificador e alto-falante, por isso certifique-se de baixar o volume do amplificador.
- ◆ Caso esteja tocando um disco e o som é liberado pelos conectores de LINE OUT, o prato vai parar quando você mudar a fonte de PHONO para a rede ou Bluetooth.

OBSERVAÇÃO

- ◆ O MusicCast CONTROLLER não pode iniciar/parar a reprodução do disco ou mudar a velocidade.

1 Abra a tampa contra poeira e coloque o disco no prato.

Caso esteja tocando um disco de 45 rpm, utilize o adaptador 45 rpm incluído.



- 2 Pressione 33/45 (velocidade) para selecionar a velocidade adequada para o disco.

A velocidade muda cada vez que você pressionar 33/45 (velocidade).

Indicador de velocidade aceso: 33 1/3 rpm

Indicador de velocidade apagado: 45 rpm

- 3 Pressione SOURCE para mudar a fonte para PHONO.

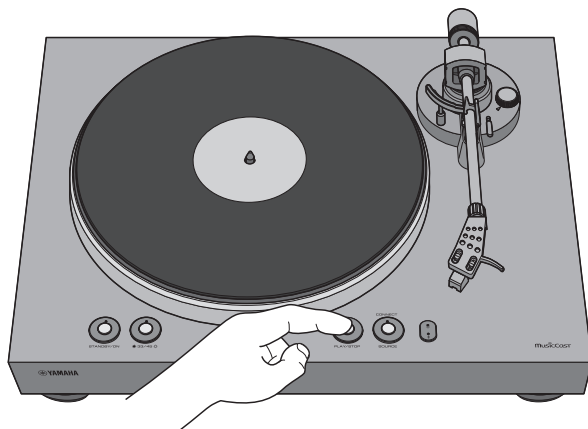
O indicador da SOURCE acende em branco.

OBSERVAÇÃO

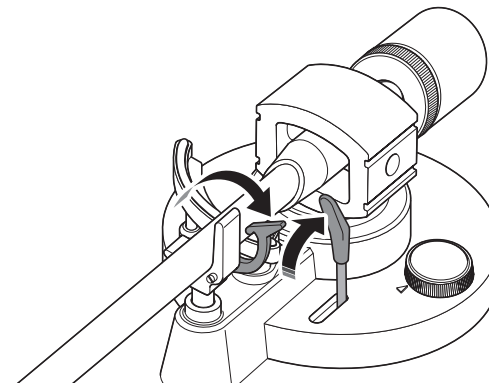
- ◆ Caso o comutador de seleção da saída de áudio esteja configurado para PHONO OUT, não há necessidade de mudar a fonte.

- 4 Pressione PLAY/STOP (reproduzir/parar).

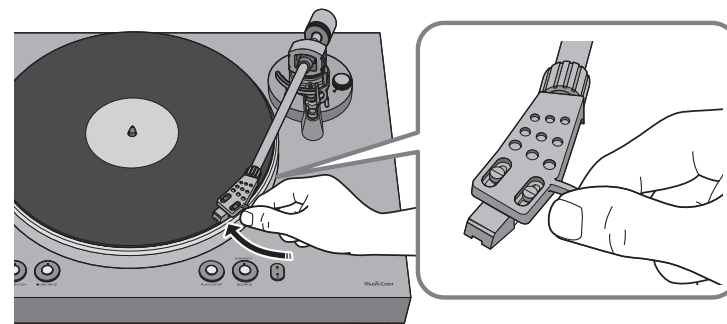
O prato gira.



- 5 Libere a trava do braço e levante a alavanca de suspensão.

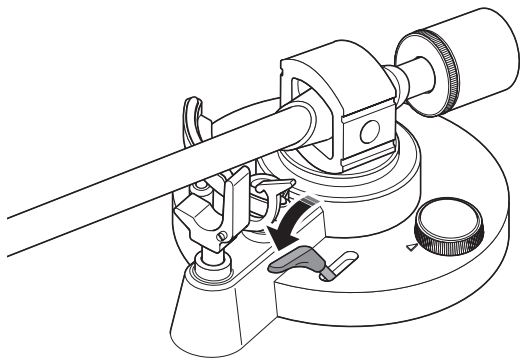


- 6 Mover o braço para a posição de reprodução do disco.



7 Abaixar a alavanca de suspensão.

O braço é abaixado e a reprodução é iniciada.



■ Pausar a reprodução

Caso você levante a alavanca de suspensão, o braço levanta e faz uma pausa na reprodução.

Quando você abaixar a alavanca de suspensão, a reprodução é retomada.

■ Parar a reprodução

- 1 Levante a alavanca de suspensão.
- 2 Retorne o braço para o seu suporte.
- 3 Abaixar a alavanca de suspensão.
- 4 Pressione PLAY/STOP (reproduzir/parar).
O prato para de girar.
- 5 Trave o braço.

OBSERVAÇÃO

- ◆ O braço não sobe automaticamente quando o disco termina de tocar.
- ◆ Caso você não esteja usando a unidade por um tempo, coloque a tampa da agulha para protegê-la.

Ouvindo rádio via internet

Como selecionar uma emissora de rádio via internet utilizando o MusicCast CONTROLLER que está instalado no seu dispositivo móvel.

OBSERVAÇÃO

- ◆ Antes de selecionar uma estação, registre esta unidade com o MusicCast. (⇒ página 21)
- ◆ Algumas emissoras de rádio via internet podem não estar disponíveis em todos os momentos ou durante certas horas.
- ◆ Esta função utiliza o serviço “airable.Radio”. Este serviço é fornecido pela Tune In GmbH.
- ◆ Este serviço pode mudar sem aviso prévio.

- 1 Use o MusicCast CONTROLLER para selecionar a sala em que esta unidade está localizada (por exemplo, Room 1).
- 2 Toque em “Net Radio”.
- 3 Selecione a emissora de rádio via internet que você deseja ouvir.

Ouvindo serviços de streaming

Você pode ouvir um serviço de streaming usando o MusicCast CONTROLLER que está instalado no seu dispositivo móvel. Para mais informações sobre serviços de streaming, consulte a explicação complementares sobre o este serviço que está disponível em sua área. Acesse o site de Downloads da Yamaha para baixar a explicação complementar. <https://download.yamaha.com/>

OBSERVAÇÃO

- ◆ O serviço é limitado para determinadas áreas.
- ◆ Serviços compatíveis pela unidade podem não estar disponíveis, dependendo da região em que ela foi adquirida.
- ◆ O serviço pode mudar ou encerrar sem aviso prévio.

Reproduzindo arquivos de música armazenada em servidores de mídia (PC/NAS)

Você pode reproduzir arquivos de música armazenados no seu PC ou dispositivo armazenamento anexado à rede(NAS) compatível com DLNA na unidade.

OBSERVAÇÃO

- ◆ O áudio pode ser interrompido durante o uso de uma conexão de rede sem fio. Neste caso, use a conexão de rede com fio. (⇒ página 17)
- ◆ Para informações sobre o formato de arquivo que pode ser tocado pela unidade, consulte “Dispositivos suportados e formatos de arquivo” (⇒ página 41). Além disso, por favor consulte as especificações para o dispositivo NAS.

Configuração de compartilhamento de mídia

Para reproduzir música armazenada no PC (ou dispositivo NAS) na unidade, você precisa ativar o compartilhamento de mídia entre esta unidade e outros dispositivos.

■ Para um PC que executa o Windows Media Player

O procedimento de configuração pode variar de acordo com o PC ou a versão do Windows Media Player. As instruções a seguir usam o Windows Media Player12 como exemplo.

OBSERVAÇÃO

- ◆ O método vai depender do computador e das configurações que você está usando. Para mais detalhes, consulte o fabricante do seu computador ou a ajuda do Windows Media Player.

- 1 Inicie Windows Media Player 12 no seu PC.
- 2 Selecione “Stream” e, em seguida, “Ativar streaming de mídia”.

- 3 Clique em “Ativar streaming de mídia”.
- 4 Selecione “Permitido” da lista suspensa próxima ao nome do modelo da unidade.
- 5 Clique em “OK” para sair.

■ Para um PC ou um NAS que executa um software de servidor DLNA, além do Windows Media Player

Consulte o manual de instruções para o dispositivo ou software e configure as definições de compartilhamento de mídia.

Reprodução de arquivos de música

Como reproduzir utilizando o MusicCast CONTROLLER que está instalado no seu dispositivo móvel.

OBSERVAÇÃO

- ◆ Registre a unidade como um dispositivo compatível com MusicCast antes de reproduzir arquivos de música. (⇒ página 21)

- 1 Use o MusicCast CONTROLLER para selecionar a sala em que esta unidade está localizada (por exemplo, Room 1).
- 2 Toque em “Servidor”.
- 3 Siga as instruções na tela para selecionar uma canção.

Ouvindo música via Bluetooth

Você pode reproduzir arquivos de música armazenados em um dispositivo (como um smartphone) na unidade.

OBSERVAÇÃO


- ◆ Para usar a função Bluetooth, configure o comutador WIRELESS localizado no painel traseiro da unidade para AUTO. (⇒ página 12)
- ◆ Para informações sobre dispositivos Bluetooth, consulte “dispositivos e formatos de arquivo compatíveis” (⇒ página 41).

1 No painel superior da unidade, pressione SOURCE para mudar a fonte para Bluetooth.

O indicador da SOURCE acende em azul.

2 No dispositivo Bluetooth, ative a função Bluetooth.

3 No dispositivo Bluetooth, selecione esta unidade a partir da lista de dispositivos disponíveis.

Quando esta unidade se conectar a um dispositivo Bluetooth, o indicador  (Bluetooth) acende.

OBSERVAÇÃO

- ◆ Caso você seja solicitado para inserir uma senha, digite o número “0000”.
- ◆ Caso a unidade esteja registrada como um dispositivo MusicCast, o nome da sala aparecerá na lista de dispositivos disponíveis.

4 No dispositivo Bluetooth, selecione uma canção e inicie a reprodução.

OBSERVAÇÃO

- ◆ Caso a unidade detecte um dispositivo conectado anteriormente, a unidade será conectada automaticamente ao dispositivo Bluetooth após você executar o passo 1. Para estabelecer outra conexão Bluetooth, primeiro encerre a conexão Bluetooth atual.
- ◆ Para encerrar a conexão Bluetooth, execute uma das seguintes operações:
 - Desconecte o dispositivo Bluetooth.
 - Selecione qualquer opção diferente de “Bluetooth” como a fonte para esta unidade.
- ◆ Caso você ative o standby do Bluetooth, esta unidade será ligada automaticamente quando uma operação de conexão for executada no dispositivo Bluetooth. (⇒ página 31)

Ouvindo música via AirPlay

Você pode usar a função AirPlay para reproduzir arquivos de música do iTunes ou dispositivo iOS através de uma rede.

OBSERVAÇÃO

- ◆ Caso o dispositivo iOS não reconheça a unidade, verifique se o seu ambiente de rede (como o roteador)
- ◆ Para informações sobre dispositivos iOS compatíveis, por favor, consulte a seção “dispositivos e formatos de arquivo compatíveis” (⇒ página 41).

1 Inicie o iTunes ou mostre a tela de reprodução de música no dispositivo iOS.

Uma vez que o iTunes ou o dispositivo iOS reconhece a unidade, aparece o ícone do AirPlay.

Por exemplo, (iOS 10)



Por exemplo, (iTunes)



2 No iTunes ou no dispositivo iOS, clique em (toque) o ícone do AirPlay e, em seguida, selecione esta unidade como destino de saída do áudio.

3 Selecione uma canção no iTunes ou no dispositivo iOS para iniciar a reprodução.

A fonte desta unidade muda automaticamente para a rede (Airplay) e a reprodução é iniciada.

O indicador da SOURCE acende em rosa.

Usando o MusicCast CONTROLLER para registrar favoritos

Você pode registrar até 40 itens de conteúdo favorito (canções armazenadas em seu PC e emissoras de rádio via Internet).

- 1 Reproduza uma música ou uma emissora de rádio via Internet que você deseja registrar.
- 2 Na tela de reprodução, toque **...** e, em seguida, toque em “Adicionar aos favoritos”.



Toque aqui.

Recordando o conteúdo registrado

- 1 Use o MusicCast CONTROLLER para selecionar a sala em que esta unidade está localizada (por exemplo, Room 1).
- 2 Toque em “Favoritos” e selecione o conteúdo que você deseja reproduzir.



Configurações detalhadas

Realizando configurações através do MusicCast CONTROLLER

Você pode usar o MusicCast CONTROLLER para fazer configurações para uma variedade de funções.

Configurando o timer de repouso

Esta função configura automaticamente a alimentação desta unidade para o modo standby após o término do tempo especificado.

Configurações

Desligar (padrão), 30 Mínimo, 60 Mínimo, 90 Mínimo, 120 Mínimo

OBSERVAÇÃO

- ◆ A configuração do timer de repouso é cancelada caso você execute uma das ações a seguir:
 - Configure a alimentação desta unidade para o modo standby.
 - Desconecte esta unidade da tomada elétrica.
 - Mude a fonte para PHONO.
- ◆ O timer de repouso não poderá ser usado caso a fonte esteja configurada para PHONO.

Ativando/desativando a reprodução automática

Esta função especifica se as canções do computador (servidor) serão reproduzidas automaticamente quando a alimentação é mudada para o servidor.

Configurações

Ligado (padrão): Reprodução automática é ativada.

Caso a unidade mantenha um histórico de reprodução, o último item que foi tocado será reproduzido novamente.

Caso tal item não existe mais, a unidade não irá reproduzir.

Desligado: Reprodução automática é desativada.

Ativando/desativando o standby automático

Esta função configura automaticamente a alimentação para o modo standby após o tempo especificado ter terminado sem qualquer reprodução ou operação sendo executada.

Configurações

Desligado: Standby automático é desativado.

Ligado: Standby automático é ativado.

Caso esta unidade não esteja tocando nos últimos 20 minutos ou não tenha operado nas últimas oito horas, a alimentação muda automaticamente para o modo standby.

Padrão

Modelos do Reino Unido, Europa e Coréia: Ligado

Outros modelos: Desligado

OBSERVAÇÃO

- ◆ Imediatamente antes de entrar no modo standby, o indicador STANDBY/ON (alimentação) pisca.

Realizando configurações através de um navegador de web

Você pode usar um navegador de web no seu computador ou outro dispositivo para realizar configurações para esta unidade e para a conexão de rede. Aqui explicaremos a configuração do modo standby.

Conecte esta unidade à rede antes de você prosseguir com as operações seguintes. (⇒ páginas 17 e 21)

Acessando a tela de configurações

Como para acessar a tela de configurações no seu computador.

- 1 Use o MusicCast CONTROLLER para descobrir o endereço IP desta unidade.
- 2 Inicie um navegador de web no seu computador.
- 3 Na barra de endereço do seu navegador de web, digite o endereço IP que você encontrou, e, em seguida, pressione Enter.

A tela de configurações aparece.

OBSERVAÇÃO

- ◆ Nós não garantimos que isto funcione com todos os dispositivos ou navegadores.

■ Configurações do standby

Standby de rede

Especifica se esta unidade pode ser ligado a partir de um dispositivo de rede.

Auto (padrão): Standby de rede ativado.

Caso esta unidade não esteja conectada a uma rede, o standby de rede é automaticamente desativado. (Esta unidade entra no modo standby ecológico.)

On: Standby de rede ativado. Esta configuração irá consumir mais energia do que a configuração “Desligado”.

Off: Standby de rede desativado. (Esta unidade entra no modo standby ecológico.)

Standby de Bluetooth

Especifica se esta a alimentação desta unidade pode ser controlada a partir do dispositivo Bluetooth. Caso esta configuração esteja “On”, a unidade será ligada automaticamente quando uma operação de conexão for executada no dispositivo Bluetooth.

On (padrão): Standby de Bluetooth ativado. (Apenas se a configuração de standby de rede esteja no “Auto” ou “On”.)

Off: Standby de Bluetooth desativado.



Com design avançado para economia de energia, este produto proporciona um baixo consumo de energia de não mais de 2 watts no modo standby de rede.



Quando necessário

Atualizando o firmware

Um novo firmware que proporciona recursos adicionais ou melhorias do produto é lançado quando necessário. Você pode atualizar o firmware usando o MusicCast CONTROLLER que está instalado no seu dispositivo móvel.

Quando um novo firmware está disponível, a tela do MusicCast CONTROLLER mostra a mensagem “Atualizar novo Firmware agora?”.

1 Toque em “Sim”.

A atualização do firmware inicia.

Durante a atualização, uma barra de progresso é mostrado na tela do MusicCast CONTROLLER e o indicador da SOURCE desta unidade pisca em azul claro.

Quando a atualização for bem-sucedida, a tela do MusicCast CONTROLLER indica “Atualização de firmware concluída” e o indicador da SOURCE desta unidade acende em azul claro.

AVISO

- ◆ Enquanto o firmware está sendo atualizado, não opere a unidade ou desconecte o adaptador CA ou o cabo de rede .

OBSERVAÇÃO

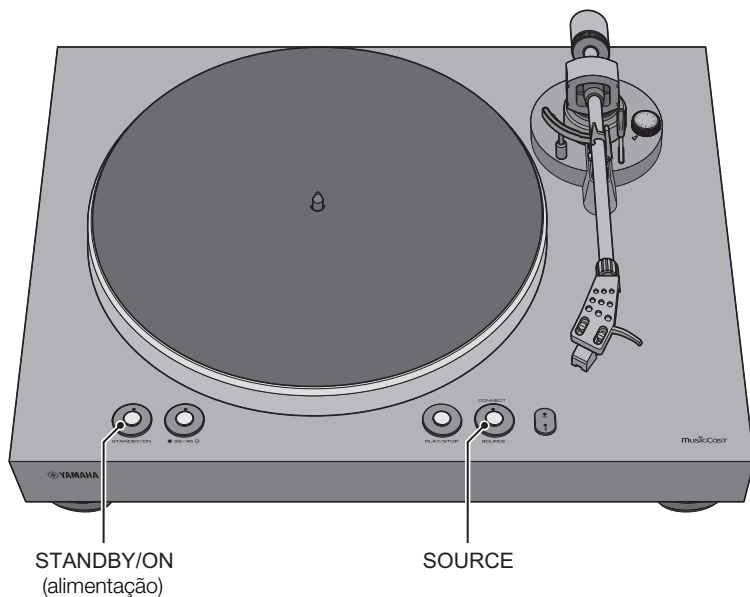
- ◆ Caso você escolha “Depois”, toque em ⚙️ (Configurações) do MusicCast CONTROLLER e escolha “Novo firmware disponível”. Atualize o firmware conforme indicado pela tela.
- ◆ Quando um novo firmware é disponibilizado, o indicador da FONTE também pisca em laranja quando esta unidade é ligada.
- ◆ Caso não esteja usando o MusicCast CONTROLLER, a atualização do firmware inicia quando você mantém pressionado PLAY/STOP (reproduzir/parar) e pressiona o botão STANDBY/ON (alimentação) enquanto esta unidade está em modo standby.
- ◆ Para saber mais sobre o firmware, consulte o site da Yamaha.

Iniciando as configurações

Como iniciar as configurações desta unidade.

- 1 **Pressione STANDBY/ON (alimentação) para colocar a alimentação esta unidade no modo standby.**
- 2 **Enquanto pressiona SOURCE, pressione STANDBY/ON (alimentação) para ligar a alimentação desta unidade.**

As configurações serão inicializadas.



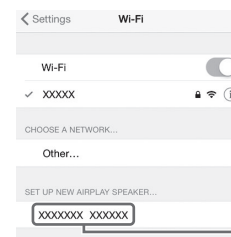
Conectando à uma rede utilizando a função WAC

Na primeira vez em que você ligar a unidade após a compra ou inicializá-la, o indicador (LAN sem fio) piscará. (Exceto quando a unidade já está conectada à rede através de um cabo ou quando o comutador de seleção de saída de áudio está configurado para PHONO OUT) Enquanto estiver piscando, você pode se conectar à rede sem fio compartilhando as configurações de rede do seu dispositivo iOS (função WAC).

Para usar essa função, proceder como segue.

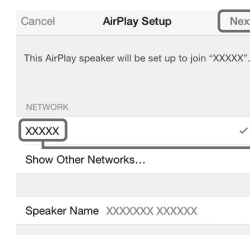
- 1 **Na tela do Wi-Fi do seu dispositivo iOS, selecione esta unidade como o alto-falante AirPlay.**

Por exemplo,
(iOS 10)



Nome desta unidade

- 2 **Certifique-se de que o campo "Network" está configurada para a sua rede preferida e, em seguida, toque em "Next".**



Toque aqui para iniciar a configuração.

Rede selecionada atualmente

Quando a configuração está completa, a unidade será conectada automaticamente à rede selecionada (ponto de acesso).

Cuidados

■ Cuidados com esta unidade

Limpe com um pano macio e seco. Não use produtos químicos, tais como benzina ou tiner, pois eles podem danificar a superfície.

■ Cuidados com a agulha

A ponta da agulha é extremamente delicada. Manuseie com cuidado para que não seja danificada. Caso poeira esteja aderida na agulha, use um pincel de ponta macia para limpar, começando da base da agulha e movendo em direção à ponta, ou use um limpador comercializado para este propósito.

■ Cuidados com os discos

Sujeira aderida a um disco pode causar pulos ou ruídos. Use um limpador de disco comercializado para remover a sujeira.

Substituição

Substituindo a correia

Dependendo das condições de uso, a correia pode desgastar ou quebrar. Caso isso ocorra, substitua a correia. Para uma correia sobressalente, contate o representante Yamaha autorizado ou centro de serviços mais próximo.

- 1 **Desligue esta unidade, os dispositivos conectados e desconecte o adaptador CA desta unidade da tomada elétrica.**
- 2 **Retire o suporte do prato.**
- 3 **Remova a correia da polia.**
- 4 **Coloque seus dedos nos orifícios redondos do prato, levantando.**



CUIDADO

- ◆ Tome cuidado para não deixar o prato cair. A queda pode causar ferimentos ou pode danificar a unidade.

- 5 **Vire o prato e remova a correia.**
- 6 **Instale a correia sobressalente no prato.**
Tome cuidado para que o correia não esteja torcida.
- 7 **Instale o prato nesta unidade.**
Para detalhes sobre a instalação, consulte “Montagem” na página 13.

Substituindo a agulha

Quando a ponta da agulha estiver desgastada ou danificada, substitua imediatamente.

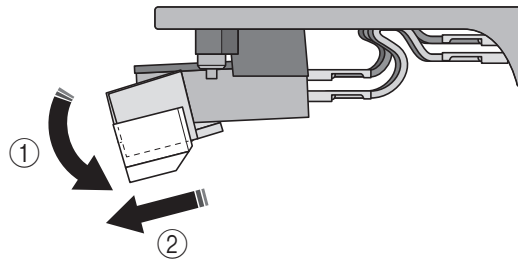
Como agulha para substituição, adquira uma agulha ATN3600L produzida pela Audio-Technica.

CUIDADO

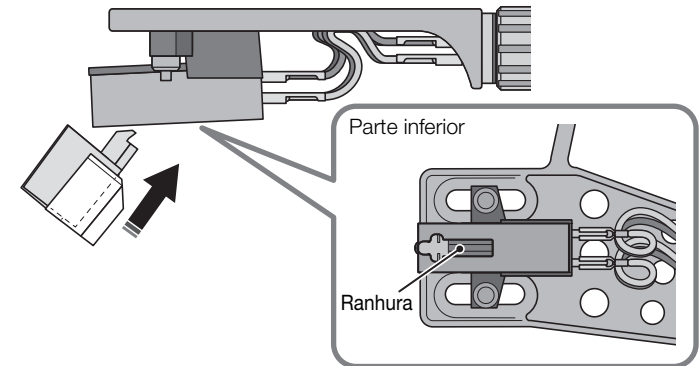
- ◆ Prenda a tampa da agulha antes de substituí-la. A ponta da agulha pode feri-lo ou ele ser danificada.
- ◆ Tome cuidado para que crianças não engulam a agulha quando removida.

1 Desligue esta unidade, os dispositivos conectados e desconecte o adaptador CA desta unidade da tomada elétrica.

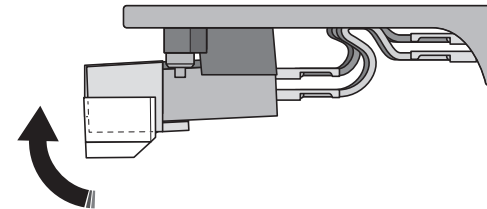
2 Ao usar os dedos para segurar o corpo da cápsula, pressione a agulha para baixo, na direção ①, e puxe-o na direção ② para removê-la.



3 Ao usar os dedos para segurar o corpo da cápsula, insira a aba da agulha sobressalente na ranhura na parte inferior da cápsula.



4 Pressione a agulha para cima até ouvir um clique.



Movendo esta unidade

Ao mover esta unidade, trave o braço para que não se mova.

Solucionando problemas

Se a unidade parar de funcionar corretamente, verifique os seguintes pontos.

Caso tomar a ação apropriada não resolva o problema ou se houver um problema que não esteja listado abaixo, pressione o botão STANDBY/ON (alimentação) localizado no painel superior da unidade para desligar a alimentação, desconecte o cabo de alimentação e entre em contato com o representante Yamaha autorizado ou o centro de serviço mais próximo.

Geral

Problema	Causa	Medida	Página de referência
Pressionar STANDBY/ON (alimentação) não liga a energia.	O adaptador CA foi removido do conector de DC IN desta unidade ou da tomada elétrica, ou não está firmemente conectado.	Conecte firmemente o adaptador CA no conector de DC IN desta unidade e na tomada elétrica.	16
Ao pressionar STANDBY/ON (alimentação), o indicador deste pisca e a energia não liga.	O circuito de proteção operou três vezes consecutivamente.	A fim de proteger a unidade, a energia não pode ser mais ligada. Entre em contato com um centro de serviço Yamaha para reparar a unidade.	—
Pressionar SOURCE não muda a fonte.	O comutador de seleção da saída de áudio está configurado para PHONO OUT.	Configure o comutador de seleção da saída de áudio para LINE OUT.	12
O prato não gira.	A correia não está corretamente posicionada no prato e a polia ou a correia se soltou.	Fixe a correia corretamente no prato e na polia.	13
	STANDBY/ON (alimentação) não está ligado.	Ligue o STANDBY/ON (alimentação).	20
Sem som.	O cabeçote não está corretamente preso ao braço.	Prenda o cabeçote corretamente no braço.	14
	O cabo estéreo RCA não está conectado corretamente.	Conecte o cabo estéreo RCA corretamente.	16
	A configuração de silenciamento do amplificador está ativada.	Desativar a configuração de silenciamento do amplificador.	—
	O comutador de seleção da saída de áudio dessa unidade não está configurado corretamente.	Configure corretamente o comutador de seleção da saída de áudio do dispositivo que está conectado.	16

Problema	Causa	Medida	Página de referência
Volume é muito baixo ou muito alto.	A configuração da cápsula do amplificador ou o equalizador fono não está correta.	Configure corretamente a cápsula do amplificador ou equalizador fono para o tipo de cápsula que você está utilizando (MM ou MC).	—
	O comutador de seleção da saída de áudio não está configurado corretamente.	Configure corretamente o comutador de seleção da saída de áudio do dispositivo que está conectado.	16
Algo está errado com o equilíbrio esquerdo e direito do som.	A unidade está inclinada.	Coloque a unidade em um local nivelado.	—
A velocidade de reprodução está errada.	A configuração da velocidade não está correta.	Configure a velocidade (33/45) corretamente. Esta unidade não é compatível com reprodução de discos SP (78 rpm).	10
Um zumbido é ouvido.	O cabo estéreo RCA não está conectado corretamente.	Conecte o cabo estéreo RCA corretamente.	16
	O cabeçote não está firmemente fixado ao braço.	Utilize a porca de segurança para fixar firmemente o cabeçote no braço.	14
Ocorrência de pulos. Ocorrência de ruídos. O som está distorcido.	A pressão da agulha não está ajustada corretamente.	Configure as marcações do contrapeso na pressão especificada da agulha para a cápsula.	18
	O disco está riscado ou deformado.	Não utilize discos riscados ou deformados.	—
	O disco está sujo.	Use um limpador de disco comercializado para limpá-lo.	—
	O disco é carregado com eletricidade estática.	Use uma escova anti-estática para remover a carga estática.	—
	A agulha está suja.	Remova a sujeira da agulha.	34
	A agulha está desgastada.	Substitua a agulha.	35
Ocorrência de microfonia.	A unidade está colocada em um local sujeito a vibrações.	Coloque a unidade em um local nivelado que não está sujeito a vibrações.	—
	A unidade está muito perto dos alto-falantes.	Coloque a unidade afastada dos alto-falantes.	—
	O volume de reprodução está muito alto.	Ajuste o volume da amplificador.	—

Bluetooth

Problema	Causa	Medida	Página de referência
Não é possível emparelhar a unidade com o dispositivo Bluetooth.	O comutador WIRELESS localizado no painel traseiro da unidade está OFF.	Configure o comutador WIRELESS localizado no painel traseiro da unidade para AUTO.	12
	O comutador de seleção da saída de áudio desta unidade está configurado para PHONO OUT.	Configure o comutador de seleção da saída de áudio desta unidade para LINE OUT.	12
	Outro dispositivo Bluetooth já está conectado à esta unidade.	Desconecte o dispositivo Bluetooth que está conectado atualmente e, em seguida, emparelhe com o dispositivo Bluetooth desejado .	28
	A unidade e os dispositivos Bluetooth estão muito afastados um do outro.	Aproxime o dispositivo Bluetooth da unidade.	—
	A comunicação sem fio está sendo obstruída por interferência de um dispositivo que utiliza a banda de frequência de 2,4 GHz (por exemplo, micro-ondas ou LAN sem fio).	Afaste esta unidade ou o seu dispositivo Bluetooth de tais dispositivos. Caso o seu roteador LAN sem fio suportar a banda de frequência 5 GHz, mude para uma conexão que utilize esta banda.	—
	O seu dispositivo Bluetooth não é compatível com o protocolo A2DP.	Use um dispositivo Bluetooth compatível com o protocolo A2DP.	—
	O perfil de conexão registrado no dispositivo Bluetooth não está funcionando corretamente por algum motivo.	Apague o perfil do Bluetooth no dispositivo e, em seguida, conecte-o nesta unidade.	—
A chave de acesso dos dispositivos, tais como um adaptador Bluetooth, que você deseja emparelhar com a unidade é diferente de “0000”.	Use um dispositivo de conexão com uma chave de acesso “0000”.	—	
Nenhum som pode ser ouvido ou o som corta intermitentemente.	O volume do dispositivo Bluetooth está muito baixo.	Aumente o volume do dispositivo Bluetooth.	—
	O dispositivo Bluetooth não está configurado para enviar sinais de áudio para esta unidade.	No dispositivo Bluetooth, selecione esta unidade como o destino de saída de áudio.	28
	A conexão Bluetooth foi encerrada.	Realize as operações de conexão Bluetooth novamente.	28
	A unidade e os dispositivos Bluetooth estão muito afastados um do outro.	Aproxime o dispositivo Bluetooth da unidade.	—
	A comunicação sem fio está sendo obstruída por interferência de um dispositivo que utiliza a banda de frequência de 2,4 GHz (por exemplo, micro-ondas ou LAN sem fio).	Afaste esta unidade ou o seu dispositivo Bluetooth de tais dispositivos. Caso o seu roteador LAN sem fio suportar a banda de frequência 5 GHz, mude para uma conexão que utilize esta banda.	—

Rede

Problema	Causa	Medida	Página de referência
Não é possível usar a função de rede.	Os parâmetros de rede (endereço IP) não foram obtidos corretamente.	Ative a função do servidor DHCP do seu roteador.	—
	O comutador de seleção da saída de áudio desta unidade está configurado para PHONO OUT.	Configure o comutador de seleção da saída de áudio desta unidade para LINE OUT.	12
	O comutador WIRELESS localizado no painel traseiro da unidade está OFF.	Configure o comutador WIRELESS localizado no painel traseiro da unidade para AUTO.	12
	Você está tentando conectar um roteador tipo IPv6.	Esta unidade não é compatível com redes IPv6. Conecte a uma rede IPv4 .	—
A unidade não pode ser conectada à internet através de um roteador LAN sem fio (ponto de acesso).	O roteador LAN sem fio (ponto de acesso) está desligado.	Ligue o roteador LAN sem fio (ponto de acesso).	—
	A unidade e o roteador LAN sem fio (ponto de acesso) estão muito afastados um do outro.	Coloque a unidade e o roteador LAN sem fio (ponto de acesso) mais perto um do outro.	—
	Existe um obstáculo entre a unidade e o roteador LAN sem fio (ponto de acesso).	Remova a obstrução entre esta unidade e o seu roteador LAN sem fio (ponto de acesso).	—
A rede sem fio não pode ser utilizada.	Um dispositivo emitindo ondas eletromagnéticas (como um forno de micro-ondas, um dispositivo sem fio, etc.) pode estar próximo.	Ao conectar a unidade sem fio, não use perto de dispositivos que emitam ondas eletromagnéticas.	—
	O acesso à rede está restrito pelas configurações de firewall do roteador LAN sem fio (ponto de acesso).	Verifique as configurações de firewall do roteador LAN sem fio (ponto de acesso).	—
O computador (servidor) não pode ser detectado.	As configurações de compartilhamento de mídia no PC (ou servidor) podem não estar corretas.	Modifique as configurações de compartilhamento de mídia, de modo a que a unidade seja capaz de acessar as pastas no PC (ou servidor).	—
	O acesso está restrito devido às configurações de segurança no PC (ou servidor) ou roteador.	Verifique as configurações de segurança no PC (ou servidor) ou roteador.	—
	A unidade e o PC não estão conectados na mesma rede.	Verifique a conexão de rede e as configurações do roteador para certificar-se de que estão conectados à mesma rede.	—

Problema	Causa	Medida	Página de referência
Arquivos no PC (ou servidor) não são mostrados (ou reproduzidos).	O formato dos arquivos não é compatível com a unidade ou o PC (ou servidor).	Certifique-se de usar um formato de arquivo que é compatível com a unidade e o PC.	41
Não é possível reproduzir o rádio via internet.	A emissora de rádio via internet selecionada está fora de serviço atualmente.	Pode existir um problema de rede na emissora de rádio ou o serviço de transmissão pode ter sido interrompido. Tente reproduzir a emissora mais tarde ou selecione outra.	—
	A emissora de rádio selecionada atualmente está transmitindo em silêncio.	Algumas emissoras de rádio via internet transmitem silêncio em determinados períodos do dia. Neste caso, não há nenhum problema com a recepção, mas nenhum áudio será produzido. Tente reproduzir a emissora mais tarde ou selecione outra.	—
	O acesso à rede está restrito pelas configurações de firewall dos seus dispositivos de rede (como o roteador).	Verifique as definições de firewall dos seus dispositivos. A rádio via internet só pode ser reproduzida através da porta designada por cada emissora de rádio. O número da porta varia dependendo da emissora de rádio.	—
O dispositivo iOS não detecta a unidade ao usar o AirPlay.	Você pode estar usando um roteador que suporte vários SSIDs.	A função de separação de rede do roteador pode estar bloqueando o acesso à unidade. Caso você esteja conectando um dispositivo iOS para a unidade, use um SSID que permita o acesso à unidade. (Tente conectar ao SSID primário.)	—
A unidade não é detectada ao usar um determinado aplicativo em um dispositivo móvel.	A unidade e o dispositivo móvel não estão na mesma rede.	Verifique a conexão de rede e as configurações do roteador para certificar-se de que estão conectados à mesma rede.	—
	Você pode estar usando um roteador que suporte vários SSIDs.	A função de separação de rede do roteador pode estar bloqueando o acesso à unidade. Caso você esteja conectando um dispositivo iOS para a unidade, use um SSID que permita o acesso à unidade. (Tente conectar ao SSID primário.)	—
O firmware da unidade não foi atualizado.	A conexão de rede pode não estar boa.	Tente atualizar novamente mais tarde.	32
A unidade não consegue conectar ao roteador LAN sem fio (ponto de acesso).	A filtragem de endereço MAC pode ter sido ativada no roteador LAN sem fio (ponto de acesso).	A unidade não consegue conectar ao roteador se a filtragem de endereço MAC estiver ativada. Altere a configuração no roteador LAN sem fio (ponto de acesso) e tente conectar novamente a unidade.	—

Dispositivos suportados e formatos de arquivo

Os seguintes dispositivos e formatos de arquivo podem ser usados pela unidade.

Dispositivos suportados

■ Dispositivos Bluetooth

- ♦ Você pode usar dispositivos Bluetooth compatíveis com o protocolo A2DP.
- ♦ A Yamaha não garante a conexão para todos os dispositivos Bluetooth.

■ AirPlay

O AirPlay funciona com iPhone, iPad e iPod touch com iOS 4.3.3 ou posterior; Mac com OS X Mountain ou posterior; e PC com iTunes 10.2.2 ou posterior.

Modelos compatíveis (em julho de 2018)

Produzidos para.

iPhone X, iPhone 8 Plus, iPhone 8, iPhone 7 Plus, iPhone 7, iPhone SE, iPhone 6s Plus, iPhone 6s, iPhone 6 Plus, iPhone 6, iPhone 5s, iPhone 5c, iPhone 5, iPhone 4s

iPad Pro (10,5"), iPad Pro (12,9") de 2ª geração, iPad Pro (12,9") de 1ª geração, iPad Pro (9,7"), iPad mini 4, iPad Air 2, iPad mini 3, iPad Air, iPad mini 2, iPad mini, iPad (5ª geração), iPad (4ª geração), iPad (3ª geração), iPad 2

iPod touch (6ª geração), iPod touch (5ª geração)

Formatos de arquivo

■ PC/NAS

Arquivo	Frequência de amostragem (kHz)	Intensidade de bits (bits)	Taxa de bits (kbps)	Número de canais	Suporte para reprodução ininterrupta
WAV *	32/44.1/48/	16/24	-	2	✓
	88.2/96/				
	176.4/192				
MP3	32/44.1/48	-	8-320	2	-
WMA	32/44.1/48	-	8-320	2	-
MPEG-4 AAC	32/44.1/48	-	8-320	2	-
FLAC	32/44.1/48/	16/24	-	2	✓
	88.2/96/				
	176.4/192				
ALAC	32/44.1/48/	16/24	-	2	✓
AIFF	32/44.1/48/	16/24	-	2	✓
	88.2/96/				
	176.4/192				
DSD	2,8 MHz/	1	-	2	-
	5,6 MHz				
	11,2 MHz				

* Apenas formato Linear PCM

- ♦ Para reproduzir arquivos FLAC armazenados em seu PC/ dispositivo NAS, você deve instalar um software de servidor que suporte o compartilhamento de arquivos FLAC via DLNA no seu PC, ou usar um dispositivo NAS que suporte arquivos FLAC. Para mais Informação, consulte o manual de instruções para o software do servidor.
- ♦ Conteúdo codificado com Digital Rights Management (DRM - Gerenciamento de Direitos Digitais) não podem ser reproduzidos.

Marcas comerciais



Utilização de obras com o emblema da Apple significa que um acessório foi projetado para funcionar especificamente com a tecnologia identificadas no emblema e foi certificado pelo desenvolvedor para atender padrões de desempenho da Apple.

Apple, iPad, iPad Air, iPad Pro, iPhone e iTunes são marcas da Apple Inc., registradas nos EUA e em outros países.

App Store é uma marca do serviço da Apple Inc.

Windows™

Windows é uma marca registrada da Microsoft Corporation nos Estados Unidos e em outros países.

Internet Explorer, Windows Media Audio e Windows Media Player são marcas comerciais ou marcas registradas da Microsoft Corporation nos Estados Unidos e/ou em outros países.

Android™ Google Play™

Android e Google Play são marcas comerciais da Google Inc.



O logotipo Wi-Fi CERTIFIED™ é uma marca de certificação da Wi-Fi Alliance®.

Wi-Fi, Wi-Fi CERTIFIED e Wi-Fi Protected Setup são marcas registradas marcas comerciais da Wi-Fi Alliance®.



A marca nominal Bluetooth® e os logotipos são marcas registradas de propriedade da Bluetooth SIG, Inc. e qualquer uso de tais marcas pela Yamaha Corporation está sob licença.

Outras marcas e nomes comerciais pertencem aos seus respectivos proprietários.



Yamaha Eco-Label é um selo que certifica produtos com ótimo desempenho ambiental.



MusicCast é uma marca comercial ou marca registrada da Yamaha Corporation.

Explicações sobre GPL/LGPL

Este produto usa software de fonte aberta GPL/LGPL em algumas seções. Você tem o direito de obter, duplicar, modificar e redistribuir apenas este código de fonte aberta. Para mais informações sobre software de fonte aberta GPL/LGPL, como obtê-lo, e a licença GPL/LGPL, visite o website da Yamaha Corporation: <https://download.yamaha.com/sourcecodes/musiccast/>

Licenças

Para as informações sobre as licenças do software de terceiros neste produto, consulte o seguinte: [http://\(endereço IP deste produto\)/licenses.html](http://(endereço IP deste produto)/licenses.html)
* O endereço IP deste produto é verificado com MusicCast CONTROLLER.

Especificações

As especificações desta unidade são as seguintes.

Seção do prato

Método de operação	Operação por correia
Motor	Motor CC
Velocidade de rotação	33 1/3 rpm, 45 rpm
Variação da Velocidade de rotação	±2%
Distorções na qualidade do som0,2%
Prato	Alumínio fundido Diâmetro de 30 cm

Seção do braço

Tipo	Braço reto de equilíbrio estático
Comprimento efetivo do braço	223,5 mm
Faixa de ajuste de pressão da agulha	0–4 g
Peso aceitável da cápsula	15,5-19 g (incluindo o cabeçote)
Ressalto	19 mm

Seção da cápsula

Tipo	Tipo MM
Tensão de saída	2,5 mV (1 kHz, 3,54 cm/seg.)
Pressão da agulha3,5 ±0,5 g
Peso da cápsula5,0 ±0,3 g
Altura da cápsula	17,0 ±0,7 mm
Peso do cabeçote	10g (incluindo parafusos, porcas e fios)

Terminais de entrada e saída

Áudio analógico (RCA Desequilibrado)
PHONO OUT×1
LINE OUT×1
NETWORK (com fio) ×1 (100Base-TX/10Base-T)

Bluetooth

Função Sink	
Dispositivo fonte para esta unidade (ex. Smartphone e Tablet)	
Codec suportado	SBC, AAC
Perfil suportado	A2DP, AVRCP
Versão do Bluetooth	Ver. 4.2
Saída sem fio	Bluetooth Classe 2
Distância máxima de comunicação	10 m sem interferência

Rede

AirPlay suportado
Rádio internet

Rede Sem Fio

Padrões da Rede Sem Fio	IEEE 802.11 a/b/g/n/ac*
	* Somente largura de banda de canal de 20 MHz
Banda de frequência de rádio de	2,4 GHz, 5 GHz
WPS (Wi-Fi Protected Setup)	
Método PIN	
Método de Segurança Disponível	
WEP	
WPA2-PSK (AES)	
Modo Misto	

Seção de Áudio (Rede, Bluetooth)

Nível de saída (1 kHz, 0 dB, Fs 44,1 kHz)	2,0 ±0,3 V
Relação sinal-ruído (Rede IHF-A) (Infinity zero, Fs 44,1 kHz)	110 dB ou maior
Faixa dinâmica (1 kHz, -60 dB, Fs 44,1 kHz)	100 dB ou maior
Distorção harmônica (1 kHz, 0 dB, Fs 44,1 kHz)	0,003% ou menor
Resposta de Frequência	
Fs 44,1 kHz	2 Hz-20 kHz (+0/-3 dB)
Fs 48 kHz	2 Hz-24 kHz (+0/-3 dB)
Fs 96 kHz	2 Hz-48 kHz (+0/-3 dB)
Fs 192 kHz	2 Hz-96 kHz (+0/-6 dB)

Seção de Áudio (PHONO)

Nível de saída	
PHONO OUT (1 kHz, 3,54 cm/seg.)	2,5 mV ±3 dBV
LINE OUT	450 mV (-7 dBV)
Relação sinal-ruído (A-ponderada, 20 kHz LPF)	67 dB ou maior

Geral

Fonte de alimentação do adaptador CA	
Entrada	CA 100-240 V 50/60 Hz
Saída	12 V 1 A
Consumo de energia	6 W
Standby ecológico	0,3 W
Standby de rede ligado / Standby de Bluetooth desligado	
Com Fio	1,4 W
Sem fio (Wi-Fi)	1,8 W
Standby de rede ligado / Standby de Bluetooth ligado	
Com Fio	1,6 W
Sem fio (Wi-Fi)	1,8 W
Peso	5,7 kg
Dimensões (largura × altura × profundidade)	450 × 136 × 368 mm (incluindo pés e saliências)

- ♦ O conteúdo deste manual se aplica às especificações mais recentes a partir da data de publicação. Para obter o manual mais recente, acesse o site da Yamaha e faça o download do arquivo do manual.

Данный продукт предназначен для использования в домашних условиях для прослушивания аудиоисточников.

МЕРЫ ПРЕДОСТОРОЖНОСТИ

ПЕРЕД ИСПОЛЬЗОВАНИЕМ ВНИМАТЕЛЬНО ПРОЧИТАЙТЕ ДАННЫЕ УКАЗАНИЯ. СЛЕДУЙТЕ ЭТИМ ИНСТРУКЦИЯМ.

Перечисленные ниже меры предосторожности предназначены для предотвращения риска причинения вреда пользователю и другим людям, а также для предотвращения повреждения имущества и оказания помощи пользователю по надлежащему и безопасному использованию данного аппарата. Следуйте этим инструкциям.

После прочтения храните это руководство в надежном месте, чтобы к нему можно было обратиться в любое время.

- Для проведения осмотра или ремонта обязательно обращайтесь к дилеру, у которого был приобретен аппарат, либо в сервисный центр Yamaha.
- Yamaha не несет ответственности за полученные вами травмы или повреждения изделий в результате ненадлежащего использования или модификаций аппарата.
- Данное устройство предназначено для домашнего использования. Не используйте его в областях, требующих высокой надежности, например в сфере жизнеобеспечения, здравоохранения или при работе с ценными активами.



ПРЕДУПРЕЖДЕНИЕ

Данная информация предупреждает о риске гибели или получения серьезных травм.

Источник питания/адаптер переменного тока

- Не допускайте повреждений кабеля питания.
 - Не располагайте кабель рядом с обогревателями.
 - Не скручивайте и не сгибайте его.
 - Не царапайте кабель питания.
 - Не ставьте на кабель питания тяжелые предметы.

Использование кабеля питания с оголенным проводом может привести к поражению электрическим током или пожару.

- Не прикасайтесь к штепселю или кабелю питания при наличии риска удара молнии. Несоблюдение этого указания может привести к поражению электрическим током.
- Напряжение источника питания должно соответствовать указанному на нем значению. Подключение к неправильной розетке переменного тока может стать причиной пожара, поражения электрическим током или неисправности.

- Обязательно используйте прилагаемый адаптер переменного тока. Несоблюдение этого указания может привести к пожару, ожогам или неисправностям.
- Периодически проверяйте штепсель и очищайте его от скопившейся пыли и грязи. Несоблюдение этого указания может привести к пожару или поражению электрическим током.
- Перед настройкой аппарата убедитесь, что используемая розетка переменного тока легко доступна. При возникновении какого-либо сбоя или неисправности немедленно отключите питание с помощью выключателя и отсоедините штепсель от розетки переменного тока. Даже если выключатель питания находится в выключенном положении, до тех пор пока штепсель не отсоединен от розетки, аппарат остается подключенным к источнику питания.
- В случае грома или приближения грозы незамедлительно отключите выключатель питания и отсоедините штепсель от розетки переменного тока. Несоблюдение этого указания может привести к пожару или неисправностям.
- Если аппарат не будет использоваться в течение длительного времени, отсоедините штепсель от розетки переменного тока. Несоблюдение этого указания может привести к пожару или неисправностям.

Не разбирать

- Не разбирайте аппарат и не изменяйте его конструкцию. Несоблюдение этого указания может привести к пожару, поражению электрическим током, травмам или неисправностям. При появлении неполадок обращайтесь для осмотра или ремонта в место приобретения аппарата или в сервисный центр Yamaha.

Беречь от воды

- Не допускайте попадания аппарата под дождь, не пользуйтесь им рядом с водой, в условиях сырости или повышенной влажности. Не ставьте на аппарат какие-либо емкости с жидкостью (например, вазы, бутылки или стаканы), которая может пролиться и попасть в отверстия, а также не пользуйтесь аппаратом там, где на него может попасть вода. Попадание жидкости, например воды, внутрь аппарата может стать причиной пожара, поражения электрическим током или неисправности. В случае попадания в аппарат жидкости, например воды, немедленно отключите питание и отсоедините кабель питания от розетки переменного тока. Затем обратитесь для осмотра аппарата в место приобретения или в сервисный центр Yamaha.
- Ни в коем случае не вставляйте и не вынимайте штепсель мокрыми руками. Не беритесь за аппарат влажными руками. Несоблюдение этого указания может привести к поражению электрическим током или неисправностям.

Беречь от огня

- Не размещайте горячие предметы или источники открытого огня рядом с аппаратом, поскольку это может привести к возгоранию.

Модуль беспроводной связи

- Не используйте аппарат около медицинских приборов и в медицинских учреждениях. Радиоволны от данного аппарата могут воздействовать на электрические медицинские устройства.
- Не используйте аппарат ближе, чем в 15 см от людей с имплантированным кардиостимулятором или дефибриллятором. Радиоволны, генерируемые данным аппаратом, могут повлиять на работу электрических медицинских устройств, например вживленных кардиостимуляторов или дефибрилляторов.

Нештатные ситуации

- При возникновении любой из указанных ниже проблем немедленно отключите питание и отсоедините кабель питания от электросети.
 - Повреждения кабеля питания или штепселя.
 - Из аппарата исходит необычный запах или дым.
 - Внутрь аппарата попал посторонний предмет.
 - На аппарате имеются трещины или повреждения.

Продолжение использования может вызвать поражение электрическим током, пожар или привести к неисправности. Незамедлительно обратитесь для осмотра аппарата в место его приобретения или в сервисный центр Yamaha.

- Не роняйте и не подвергайте аппарат или адаптер переменного тока сильному физическому воздействию. Если существует вероятность того, что аппарат был поврежден в результате падения или физического воздействия, немедленно отключите питание и отсоедините штепсель от розетки переменного тока. Несоблюдение этого указания может привести к поражению электрическим током, пожару или неисправностям. Незамедлительно обратитесь для осмотра аппарата в место приобретения или в сервисный центр Yamaha.



ВНИМАНИЕ

Данная информация предупреждает о риске получения травмы.

Источник питания/адаптер переменного тока

- Не накрывайте и не оборачивайте адаптер переменного тока тканью или одеялом. Несоблюдение этого указания может привести к задержке тепла и вызвать деформацию корпуса или пожар.
- Не используйте розетки переменного тока, в которых штепсель держится ненадежно. Несоблюдение этого указания может привести к пожару, поражению электрическим током или ожогам.

- Вынимая сетевую штепсель из устройства или розетки переменного тока, держитесь за сам штепсель. Никогда не тяните за шнур. Это может привести к повреждению кабеля и стать причиной поражения электрическим током или пожара.
- Вставляйте штепсель в розетку переменного тока плотно и до упора. Использование устройства, штепсель которого недостаточно плотно вставлена в розетку, может вызвать накопление частиц пыли на штепселе и стать причиной пожара или ожога.

Установка

- Не оставляйте аппарат в неустойчивом положении. Аппарат может случайно упасть и причинить травму.
- Во время установки аппарата:
 - не накрывайте аппарат тканью;
 - не ставьте аппарат на коврики или ковры;
 - убедитесь, что верхняя панель направлена вверх и что аппарат не установлен в перевернутом положении или на бок;
- убедитесь, что верхняя часть направлена вверх. Несоблюдение этого указания может привести к неисправностям или падению аппарата и причинить травму.
- Не устанавливайте аппарат в местах, где он может контактировать с коррозионными газами или соленым воздухом, либо в местах с чрезмерным количеством дыма или пара. Это может стать причиной неисправности.

- Не рекомендуется находиться в непосредственной близости от аппарата во время стихийных бедствий, например землетрясений. Поскольку аппарат может перевернуться или упасть и причинить травму, быстро отойдите от аппарата и перейдите в безопасное место.
- Перед перемещением аппарата отключите выключатель питания и отсоедините все подключенные кабели. Несоблюдение этого указания может привести к повреждению кабелей или привести к падению вас или кого-либо еще.

Потеря слуха

- Перед подключением аппарата к другим устройствам отключите их питание. В противном случае это может привести к потере слуха, поражению электрическим током или повреждению устройства.
- При включении питания переменного тока в аудиосистеме всегда включайте усилитель или ресивер В ПОСЛЕДНЮЮ ОЧЕРЕДЬ во избежание потери слуха и повреждения динамиков. При выключении питания усилитель или ресивер следует выключать ПЕРВЫМ по той же причине. Несоблюдение этого указания может привести к потере слуха или повреждению динамиков.

Техническое обслуживание

- Во время чистки отсоединяйте аппарат от электросети. Несоблюдение этого указания может привести к поражению электрическим током.

Меры безопасности при эксплуатации

- Храните мелкие детали в недоступном для маленьких детей месте. Дети могут случайно проглотить их.
- Запрещается:
 - вставать или садиться на оборудование;
 - ставить на оборудование тяжелые предметы;
 - ставить экземпляры оборудования друг на друга;
 - применять избыточную силу к кнопкам, переключателям, разъемам ввода-вывода и т. д.;
 - опираться на оборудование.
- Не тяните за подключенные кабели. Это может привести к травмам или повреждению аппарата вследствие его падения.

Уведомление

Указания, которые необходимо соблюдать во избежание неисправности, повреждения или нарушения работы изделия, а также потери данных.

Источник питания/адаптер переменного тока

- Если аппарат не будет использоваться в течение длительного времени, отсоедините штепсель от розетки переменного тока. Слабый ток сохраняется, даже если питание выключено (питание в режиме ожидания).

Установка

- Не используйте данный аппарат рядом с другими электронным оборудованием, например, телевизором, радио или мобильным телефоном. Несоблюдение этого указания может стать причиной шумов, создаваемых телевизором или радиоприемником.
- Не используйте этот аппарат в месте, которое подвержено воздействию прямого солнечного света, которое может слишком сильно нагреться (например, рядом с обогревателем) или охладиться либо которое подвержено слишком сильному воздействию пыли или вибрации. Это может привести к деформации панели аппарата, вызвать неисправности внутренних компонентов или стать причиной нестабильной работы.
- При использовании беспроводной сети избегайте установки данного аппарата рядом с металлическими стенами или столами, микроволновыми печами или другими беспроводными сетевыми устройствами. Препятствия могут сократить расстояние передачи.

Подключения

- При подключении внешних устройств обязательно внимательно прочитайте руководство для каждого устройства и подключите их в соответствии с инструкциями.
Неправильное подключение аппарата, нарушающее инструкции, может привести к его неправильной работе.

Обращение с аппаратом

- Не ставьте на этот аппарат пластмассовые и резиновые предметы. Это может стать причиной деформации или выцветания панели аппарата.
- Если при резком изменении внешней температуры (например, при транспортировке аппарата или при быстром нагреве либо охлаждении) есть вероятность образования конденсата в аппарате, перед использованием оставьте его на несколько часов, не включая питания, пока он не высохнет полностью. Использование аппарата при наличии в нем конденсата может привести к его повреждению.

Техническое обслуживание

- При резком изменении температуры или влажности есть вероятность образования капелек (конденсата) на поверхности аппарата. При образовании капелек воды немедленно сотрите их мягкой тканью. Если оставить капельки воды на аппарате, они могут впитаться в деревянные детали и вызвать деформацию.
- Для чистки аппарата пользуйтесь мягкой сухой тканью. Использование химикатов, таких как бензин или разбавитель, моющих средств или тканей для химической чистки может привести к деформации или обесцвечиванию.

Информация

О содержании этого руководства

- Иллюстрации и снимки экранов в данном руководстве приведены только в качестве примеров.
- Названия компаний и изделий в данном руководстве являются товарными знаками или зарегистрированными товарными знаками соответствующих компаний.
- Программное обеспечение может изменяться и обновляться без предварительного уведомления.

■ Табличка с названием аппарата

Номер модели, серийный номер, требования к источнику питания и пр. указаны на табличке с названием изделия в нижней части устройства или рядом с ней. Запишите серийный номер в расположенном ниже поле и сохраните данное руководство как подтверждение покупки; это поможет идентифицировать принадлежность устройства в случае кражи.

Номер модели.

Серийный номер.

(bottom_ru_02)



Содержание

Перед началом работы 8

Возможности аппарата	8
Сведения о данном руководстве	9
Как держать пластинку?	9
Проверка комплектации	9
Компоненты и их функции	10
Верхняя панель	10
Задняя панель	12

Подготовка 13

Расположение	13
Сборка	13
Сборка аппарата	13
Крепление защитной крышки	15
Установка подключений	16
Подключение к усилителю	16
Подключение сетевого кабеля	17
Выполнение настроек	18
Настройка давления иглы	18
Настройка антискейтинга	20
Включение питания	20
Режимы ожидания аппарата	20
Подключение аппарата к сети	21

Воспроизведение 23

Прослушивание пластинки	23
Прослушивание Интернет-радио	26
Прослушивание служб потоковой передачи	26
Воспроизведение музыкальных файлов, хранящихся на медиа-сервере (ПК/NAS)	27
Настройка совместного использования носителей	27
Воспроизведение музыкальных файлов	27
Прослушивание музыки с помощью Bluetooth	28
Прослушивание музыки с помощью AirPlay	29
Использование приложения MusicCast CONTROLLER для сохранения избранного содержимого	29

Детальные настройки 30

Выполнение настроек с помощью MusicCast CONTROLLER	30
Настройка таймера автовыключения	30
Включение и выключение автоматического воспроизведения	30
Включение и выключение автоматического перехода в режим ожидания	30
Выполнение настроек с помощью веб-браузера	31
Доступ к экрану настроек	31

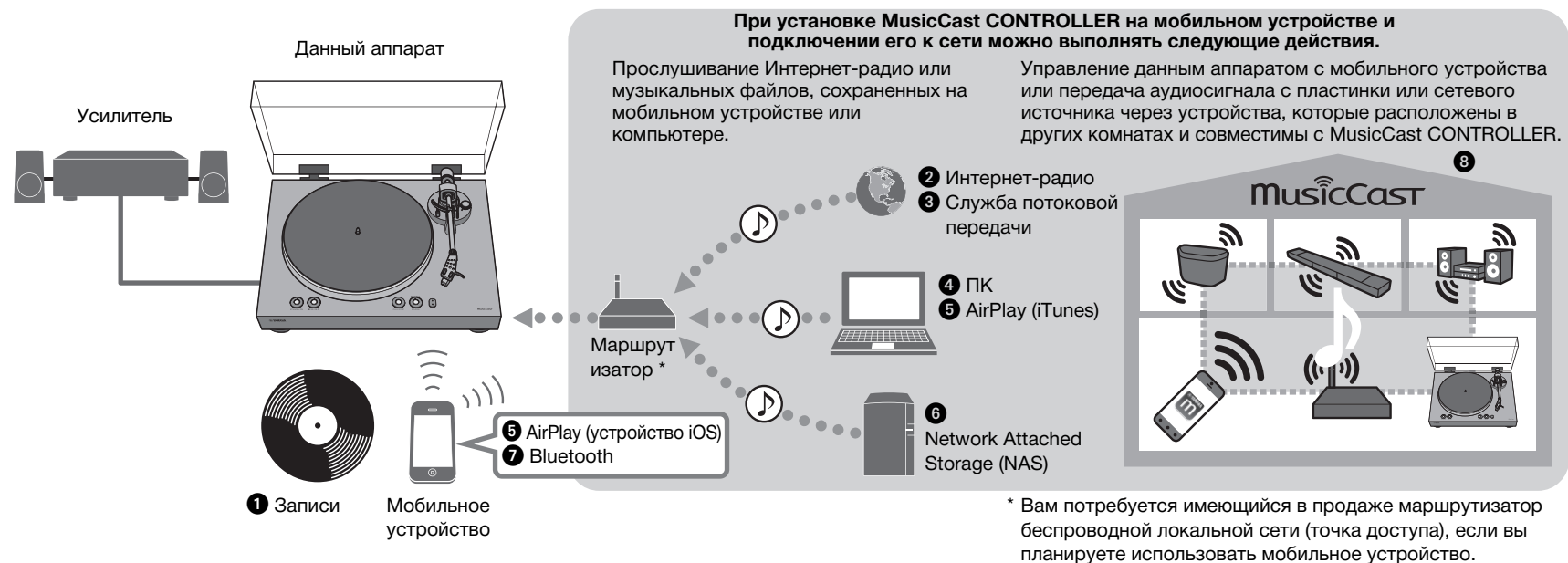
Операции, выполняемые по мере необходимости 32

Обновление встроенного программного обеспечения	32
Инициализация настроек	33
Подключение к сети с помощью функции WAC	33
Уход	34
Замена	34
Замена ремня	34
Замена иглы пластинки	35
Перемещение аппарата	35
Поиск и устранение неисправностей	36
Неисправности общего характера	36
Bluetooth	38
Сеть	39
Поддерживаемые устройства и форматы файлов	41
Поддерживаемые устройства	41
Форматы файлов	41
Товарные знаки	42
Технические характеристики	43

Перед началом работы

Возможности аппарата

Данный аппарат является сетевым проигрывателем, который поддерживает воспроизведение с сетевых источников, таких как медиа-серверы или мобильные устройства, в дополнение к воспроизведению пластинок.



1 Воспроизведение записи (⇒ стр. 23)

2 Прослушивание Интернет-радио (⇒ стр. 26)

3 Прослушивание служб потоковой передачи (⇒ стр. 26)

4 Воспроизведение музыкальных файлов, хранящихся на ПК (⇒ стр. 27)

5 Воспроизведение музыкальных файлов с помощью AirPlay (⇒ стр. 29)

6 Воспроизведение музыкальных файлов, хранящихся на устройстве Network Attached Storage (NAS) (⇒ стр. 27)

7 Воспроизведение аудиосодержимого с устройства Bluetooth (⇒ стр. 28)

8 Воспроизведение музыки с помощью приложения MusicCast CONTROLLER (⇒ стр. 21)

Сведения о данном руководстве

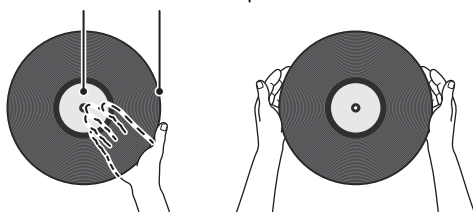
При чтении данного руководства обратите внимание на следующее.

- ♦ Технические характеристики и внешний вид могут быть изменены без уведомления в целях улучшения продукта.
- ♦ В данном руководстве устройства iPhone, iPad и iPod touch совместно именуются “устройство iOS”.
- ♦ В данном руководстве в качестве примеров используются снимки экранов приложения MusicCast CONTROLLER, отображаемые на английском языке на iPhone.
- ♦ Графические обозначения, используемые в данном руководстве.
 - “**⚠ ПРЕДУПРЕЖДЕНИЕ**” обозначает пункты, которые следует соблюдать, чтобы избежать риска смерти или серьезной травмы.
 - “**⚠ ВНИМАНИЕ**” обозначает пункты, которые следует соблюдать, чтобы избежать риска травмы.
 - **УВЕДОМЛЕНИЕ** обозначает пункты, которые следует соблюдать, чтобы избежать повреждения продукта или его неправильной работы.
 - **ПРИМЕЧАНИЕ** обозначает дополнительную информацию, которая может быть полезна.

Как держать пластинку?

Когда вы держите пластинку, необходимо поддерживать ее за область этикетки и внешний край либо держать пластинку за внешние края двумя руками.

Область этикетки Внешний край



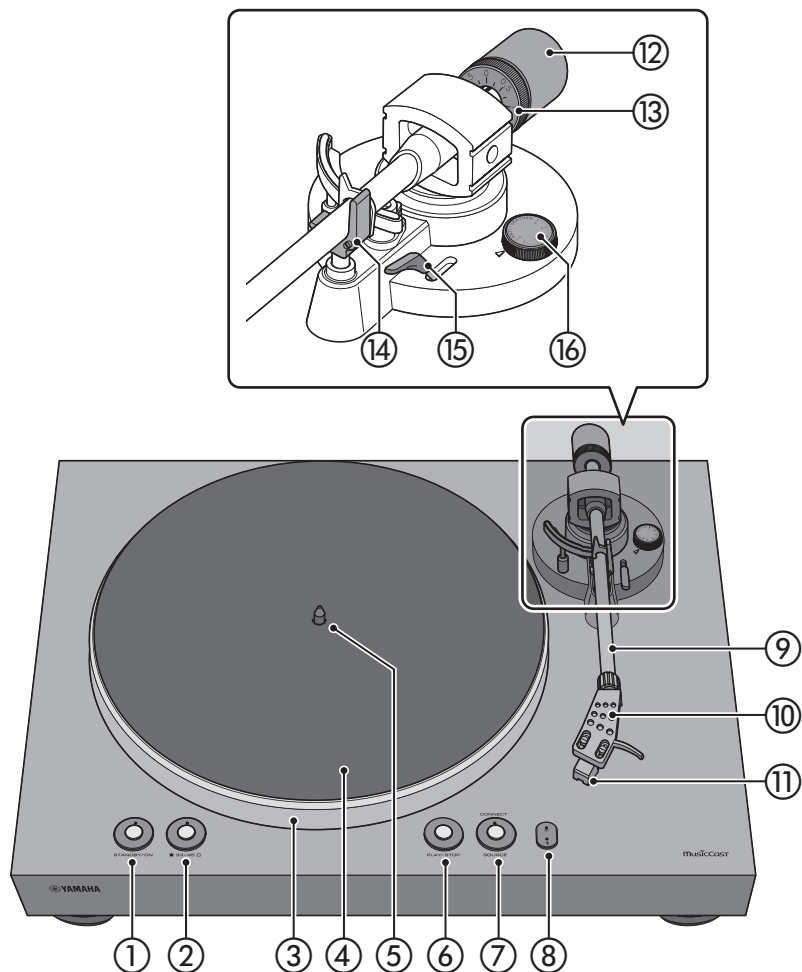
Проверка комплектации

Проверьте наличие всех элементов.

<input type="checkbox"/> Опорный диск ×1 	<input type="checkbox"/> Пластина опорного диска ×1 	<input type="checkbox"/> Ремень ×1 * Ремень установлен на опорном диске.
<input type="checkbox"/> Противовес ×1 	<input type="checkbox"/> Каркас головки ×1 (с картриджем) 	<input type="checkbox"/> Адаптер 45 об/мин ×1 
<input type="checkbox"/> Защитная крышка ×1 	<input type="checkbox"/> Петля защитной крышки ×2 	<input type="checkbox"/> Стереоскабель RCA ×1 
<input type="checkbox"/> Адаптер переменного тока ×1 * Подробнее см. в прилагаемом документе “Приложение” (брошюра).	<input type="checkbox"/> Инструкция по эксплуатации (данное руководство) <input type="checkbox"/> Приложение (брошюра)	

Компоненты и их функции

Верхняя панель



① **STANDBY/ON (питание)**

Переключение питания аппарата между включенным режимом и режимом ожидания (выключенным режимом). (⇒ стр. 20)

Индикатор STANDBY/ON (питание)

Показывает состояние питания аппарата.

Горит: питание включено

Тускло горит: питание в режиме ожидания сети (⇒ стр. 20)

Не горит: питание в экономичном режиме ожидания (⇒ стр. 20)

② **33/45 (скорость) (⇒ стр. 24)**

Индикатор скорости (⇒ стр. 24)

③ **Опорный диск (⇒ стр. 13)**

④ **Пластина опорного диска (⇒ стр. 14)**

⑤ **Центральный шпиндель (⇒ стр. 13)**

⑥ PLAY/STOP (воспроизведение/остановка) (⇒ стр. 24)

Вращение или остановка опорного диска.

ПРИМЕЧАНИЕ

- ◆ Если источником (источником аудиосигнала) является сеть или Bluetooth, данная кнопка позволяет воспроизвести/остановить воспроизведение сетевого источника.

⑦ SOURCE

Выбор источника (источника аудиосигнала) для данного аппарата. При каждом нажатии кнопки меняется источник – PHONO, сеть и Bluetooth.

ПРИМЕЧАНИЕ

- ◆ Источник можно переключить, если на задней панели данного аппарата переключатель вывода аудиосигнала установлен в положение LINE OUT.

Индикатор SOURCE

Цвет индикатора меняется в зависимости от источника.

Источник	Цвет индикатора
PHONO	Белый
Сеть (AirPlay)	Розовый
Сеть (отличный от AirPlay)	Зеленый
Bluetooth	Синий

ПРИМЕЧАНИЕ

- ◆ При наличии нового встроенного программного обеспечения индикатор мигает оранжевым цветом. (⇒ стр. 32)

CONNECT

Следует использовать в сочетании с MusicCast CONTROLLER для настройки параметров сетевого подключения. (⇒ стр. 21)

⑧ Индикатор (беспроводная локальная сеть)

Загорается при подключении аппарата по беспроводной связи. (⇒ стр. 21)

Индикатор (Bluetooth)

Загорается при подключении аппарата к устройству Bluetooth. (⇒ стр. 28)

⑨ Тонарм (⇒ стр. 14)

⑩ Каркас головки (⇒ стр. 14)

⑪ Картридж

⑫ Противовес (⇒ стр. 19)

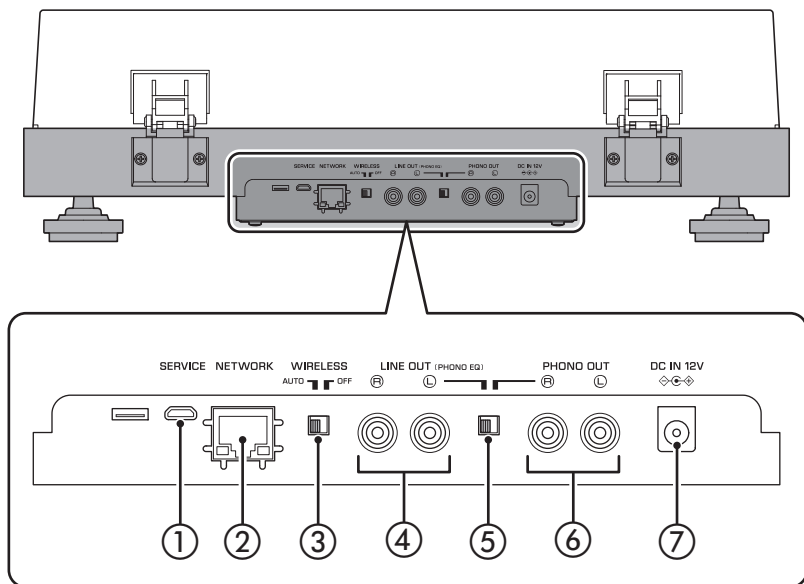
⑬ Прижимное кольцо (⇒ стр. 19)

⑭ Опора тонарма (⇒ стр. 18)

⑮ Рычаг подъема (⇒ стр. 24)

⑯ Антискейтинг (⇒ стр. 20)

Задняя панель



① Гнездо SERVICE

Данное гнездо предназначено только для обслуживания. Обычно оно не используется.

② Гнездо NETWORK

Используйте кабель LAN (продается отдельно) для подключения аппарата к сети.

③ Переключатель WIRELESS

Включение и выключение функции беспроводной связи аппарата (включая Bluetooth).

AUTO (по умолчанию): функция беспроводной связи включена.

OFF: функция беспроводной связи выключена.

④ Гнезда LINE OUT

Вывод воспроизводимого аудиосигнала с пластинки или сетевого источника. (⇒ стр. 16)

⑤ Переключатель вывода аудиосигнала

Переключение вывода аудиосигнала. (⇒ стр. 16)

LINE OUT (по умолчанию): сигнал с картриджа усиливается фоновым эквалайзером, который встроен в аппарат, и выводится через гнезда LINE OUT.

PHONO OUT: сигнал с картриджа выводится напрямую через гнезда PHONO OUT.

⑥ Гнезда PHONO OUT

Через эти гнезда выводится воспроизводимый аудиосигнал с пластинки. (⇒ стр. 17)

⑦ Гнездо DC IN

Подключите адаптер переменного тока (входит в комплект) к этому гнезду. (⇒ стр. 16)

Подготовка

Расположение

Воспроизведение пластинки чувствительно к вибрации, поэтому следует расположить аппарат на ровной поверхности, которая не подвержена внешней вибрации.

Расположите его достаточно далеко от акустической системы, чтобы на него не влияло давление звука или вибрация.

Сборка

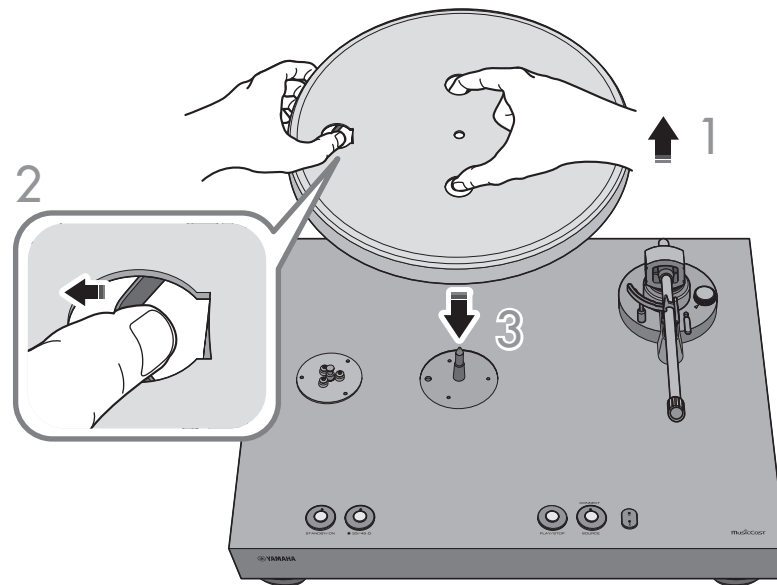
Сборка аппарата

- 1 Поднимите опорный диск.
- 2 Пропустив ремень через круглое отверстие на опорном диске, вытяните его наружу, зацепив его за палец.
- 3 Установите опорный диск на центральный шпиндель.



ВНИМАНИЕ

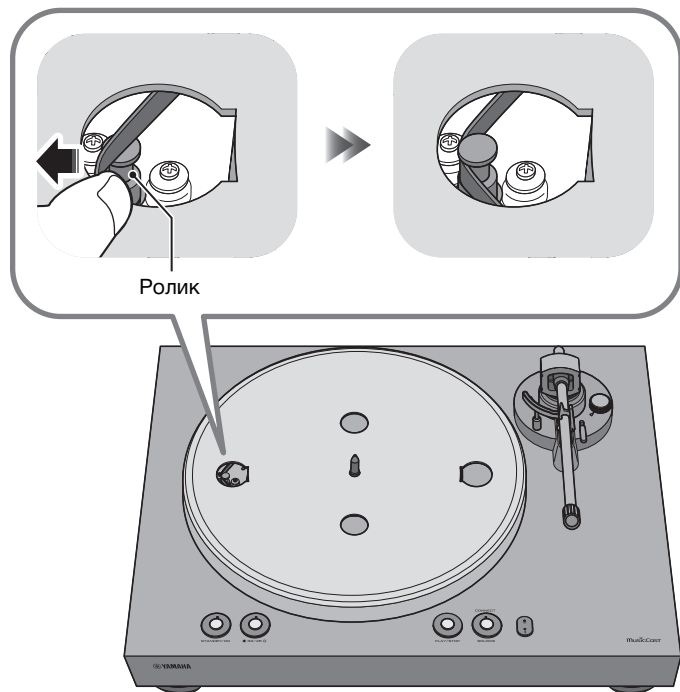
- ◆ Будьте аккуратны, не роняйте опорный диск. Это может привести к травме или повредить аппарат.



4 Совместите круглое отверстие на опорном диске с роликом.

5 С помощью пальца зацепите ремень за ролик.

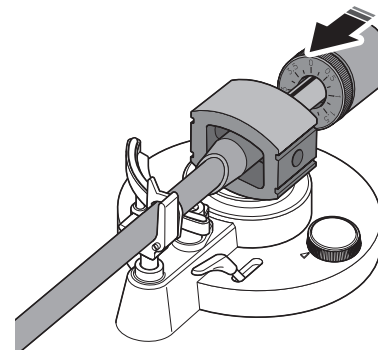
Следите за тем, чтобы ремень не перекручивался. Зацепив ремень за ролик, поверните опорный диск несколько раз, чтобы убедиться, что ремень плавно встал на место.



6 Поместите пластину на опорный диск.

7 Присоедините противовес к тонарму.

Вставьте противовес (маркировкой к себе) в задний конец тонарма.



8 Присоедините каркас головки к тонарму.

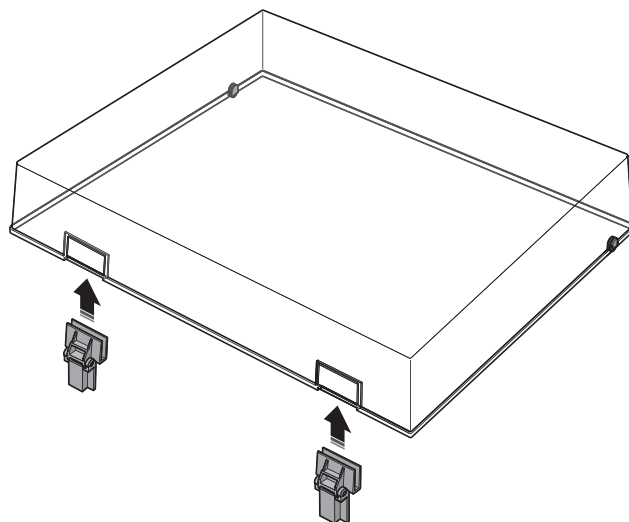
Вставьте каркас головки в передний конец тонарма и поверните фиксирующую гайку, чтобы его закрепить.



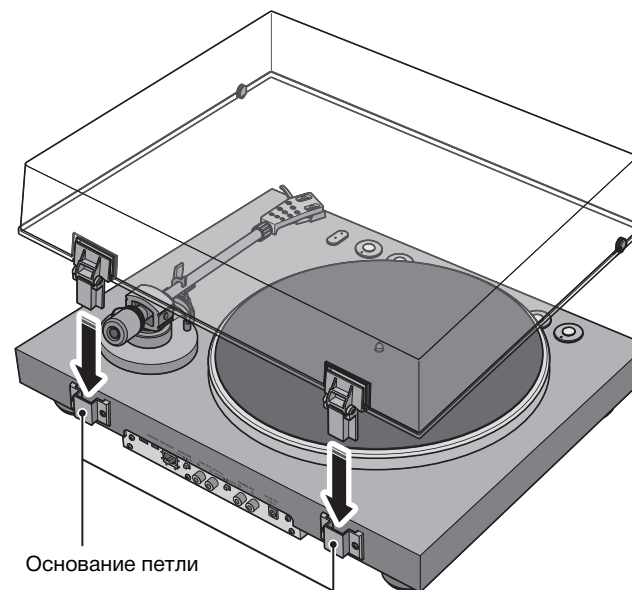
Крепление защитной крышки

Защитная крышка предохраняет аппарат от пыли и т.д.

- 1 Вставьте петли в соответствующие места с двух сторон защитной крышки.



- 2 Прикрепите защитную крышку, вставив петли в соответствующие основания на задней панели аппарата.



ПРИМЕЧАНИЕ

- ◆ Чтобы снять защитную крышку, возьмитесь за нее с двух сторон и медленно поднимите вверх, чтобы снять ее вместе с петлями.



ВНИМАНИЕ

- ◆ Будьте осторожны, не прищемите руки или пальцы, открывая или закрывая защитную крышку.

Установка подключений

Подключение к усилителю

Установите подключения, как показано на рисунке ниже.

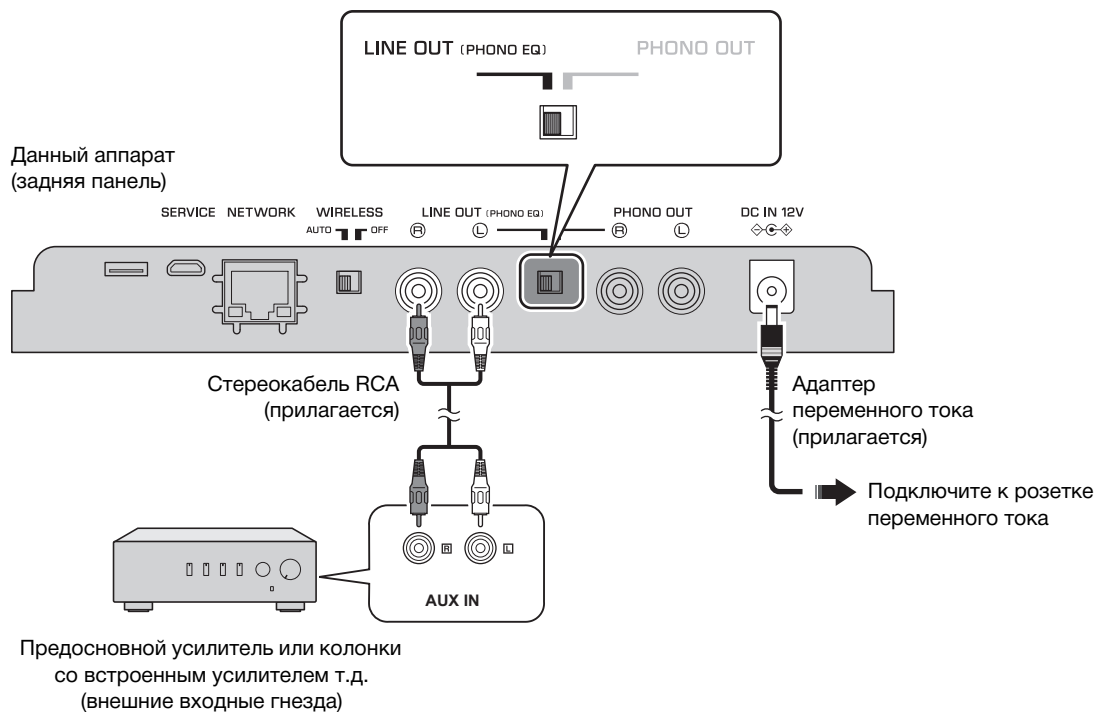
■ Если используются гнезда LINE OUT на аппарате

Источники, которые можно воспроизводить: пластинки, все сетевые источники, включая Интернет-радио, Bluetooth



ВНИМАНИЕ

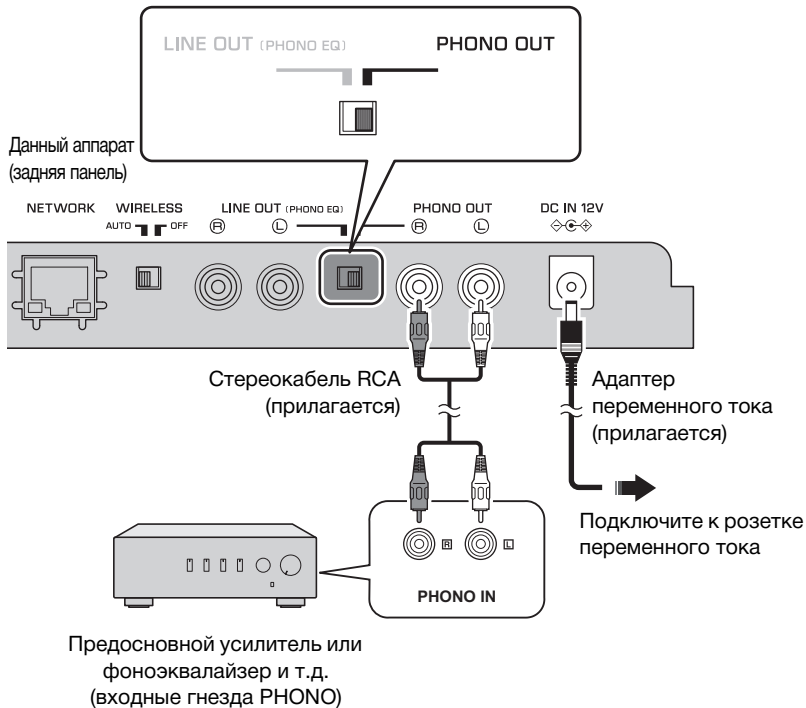
- ◆ Не подключайте силовой кабель данного аппарата и все остальные подключенные устройства к розеткам переменного тока, пока не завершены все подключения и настройки переключателя вывода аудиосигнала.



■ Если используются гнезда PHONO OUT на аппарате

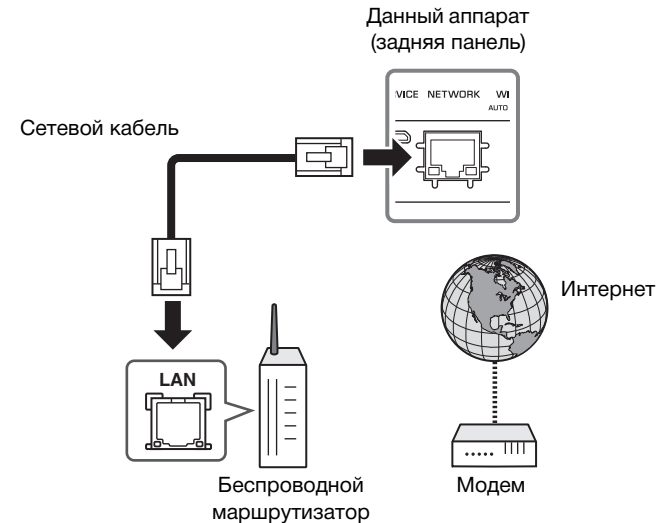
Источники, которые можно воспроизводить: пластинки

Сетевую функцию аппарата использовать невозможно.



Подключение сетевого кабеля

Для использования проводной сети подключите аппарат к маршрутизатору с помощью имеющегося в продаже сетевого кабеля STP (CAT-5 или более скоростного кабеля прямого подключения). Для беспроводного подключения к сети обратитесь к разделу “Подключение аппарата к сети” (⇒ стр. 21).



ПРИМЕЧАНИЕ

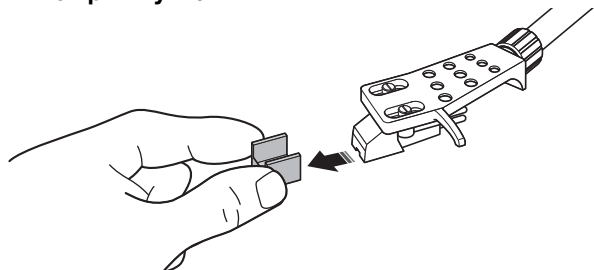
- ◆ Подключите сетевой кабель перед включением питания аппарата.
- ◆ Можно подключиться к сети с помощью проводного соединения независимо от положения переключателя WIRELESS на задней панели аппарата (AUTO или OFF). (⇒ стр. 12)
- ◆ Если аппарат уже подключен к сети по беспроводной связи, переведите аппарат в режим ожидания, подключите сетевой кабель, переведите переключатель WIRELESS на задней панели в положение OFF и включите питание. (⇒ стр. 12)

Выполнение настроек

Настройка давления иглы

Настройте тонарм таким образом, чтобы давление иглы на пластинку было соответствующим.

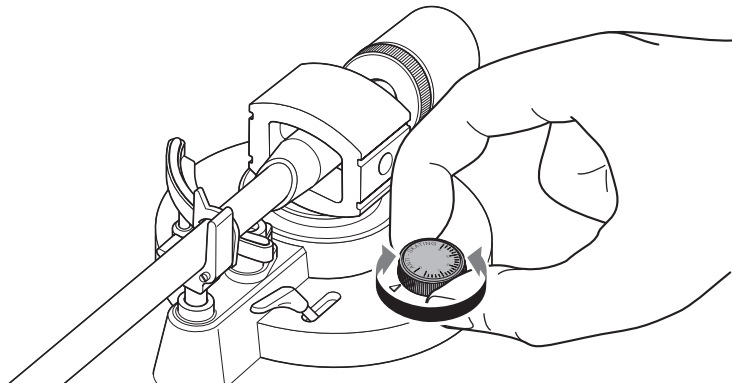
1 Снимите крышку иглы.



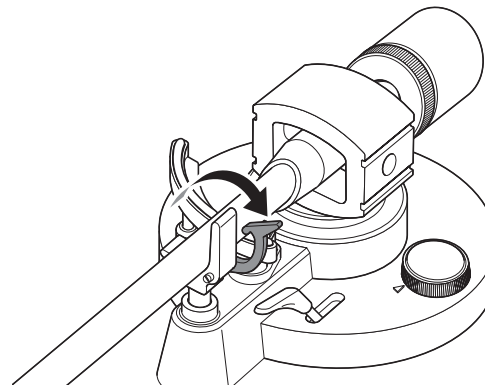
УВЕДОМЛЕНИЕ

- ◆ Следите за тем, чтобы крышка иглы или ваш палец не соприкасались с иглой.

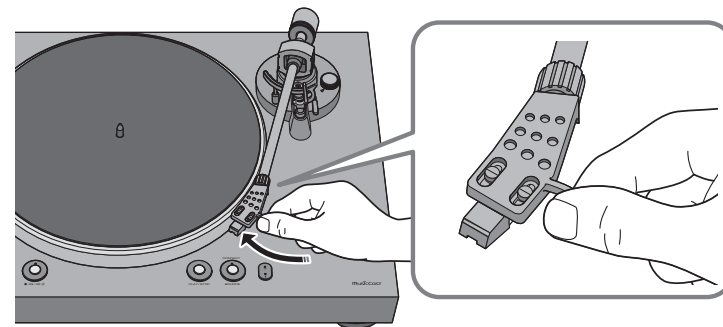
2 Установите регулятор антискейтинга в положение "0".



3 Ослабьте фиксатор тонарма.



4 Снимите тонарм с опоры и слегка отведите влево.



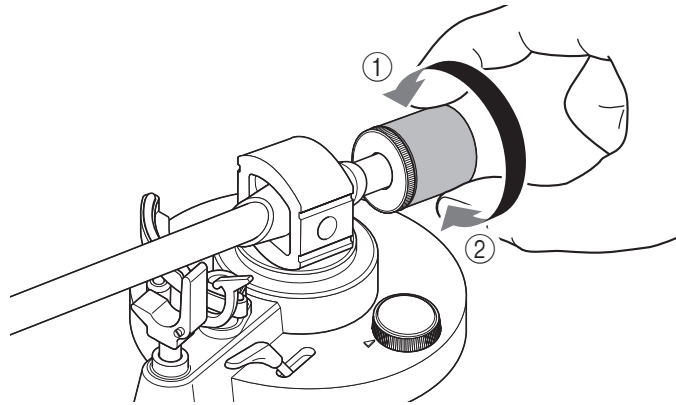
УВЕДОМЛЕНИЕ

- ◆ Следите за тем, чтобы игла не контактировала ни с какой частью аппарата.

5 Поверните противовес таким образом, чтобы тонарм располагался горизонтально.

Направление ①: противовес перемещается вперед на тонарме.

Направление ②: противовес перемещается назад на тонарме.



Правильно



Тонарм расположен горизонтально (сбалансирован)

Неправильно



Противовес смещен слишком далеко вперед

Неправильно

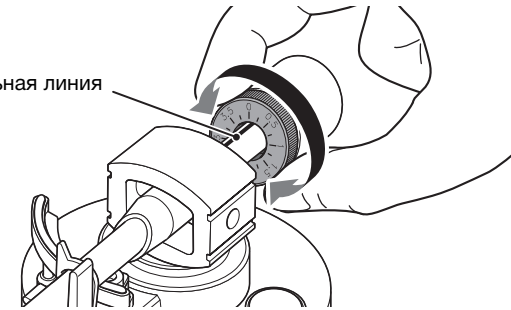


Противовес смещен слишком далеко назад

6 Верните тонарм на опору и зафиксируйте его.

7 Поверните кольцо противовеса таким образом, чтобы отметка "0" совпадала с центральной линией на заднем конце тонарма.

Центральная линия

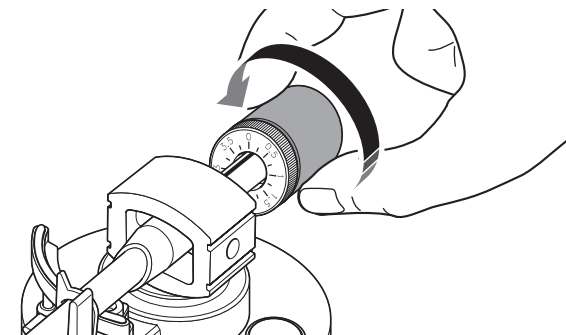


ПРИМЕЧАНИЕ

◆ Поворачивая кольцо противовеса пальцами нажмите на противовес, чтобы он не поворачивался.

8 Поворачивая противовес, установите на нем давление иглы, указанное для картриджа.

Указанное давление иглы для прилагаемого картриджа составляет 3,5 г.



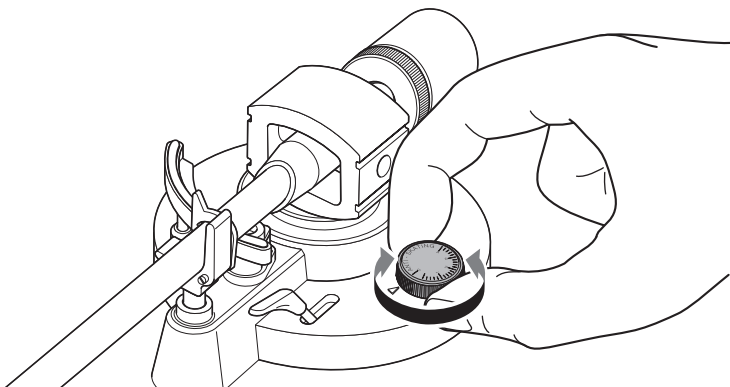
ПРИМЕЧАНИЕ

◆ При повороте противовеса также поворачивается кольцо противовеса.

Настройка антискейтинга

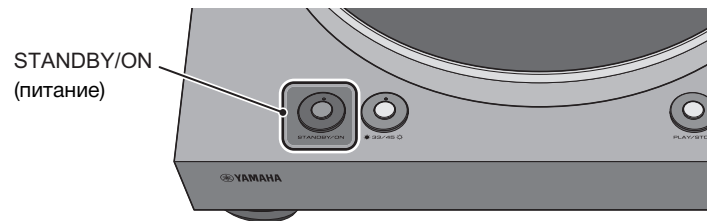
При повороте опорного диска кончик иглы создает усилие, которое тянет ее к центру вращения. Если значение антискейтинга совпадает с давлением иглы, создается усилие, которое тянет кончик иглы наружу от центра вращения, и два усилия нейтрализуют друг друга.

- 1 Установите регулятор антискейтинга в положение, совпадающее с давлением иглы картриджа.



Включение питания

На верхней панели аппарата нажмите кнопку STANDBY/ON (питание), чтобы включить питание аппарата. Нажмите кнопку STANDBY/ON (питание) еще раз, чтобы перевести аппарат в режим ожидания.



ПРИМЕЧАНИЕ

- ◆ При первом включении питания после покупки аппарата или его инициализации индикатор  (беспроводная локальная сеть) может мигать. Если он мигает, можно подключиться к беспроводной сети, используя сетевые настройки устройства iOS. (⇒ стр. 33) Для прослушивания музыки из разных сетевых источников используйте приложение MusicCast CONTROLLER для подключения к сети. (⇒ стр. 21)

Режимы ожидания аппарата

Данный аппарат имеет два типа режима ожидания.

Сеть режим ожидания: питание аппарата можно включить с сетевого устройства. (только если переключатель вывода аудиосигнала установлен в положение LINE OUT)

Экономичный режим ожидания: данный режим снижает энергопотребление в режиме ожидания.

ПРИМЕЧАНИЕ

- ◆ Если необходимо переключиться на экономичный режим ожидания, можно использовать веб-браузер для изменения значения параметра “Режим ожидания”. (⇒ стр. 31)
- ◆ Если необходимо временно переключиться на экономичный режим ожидания, удерживайте кнопку STANDBY/ON (питание) в течение пяти секунд, когда аппарат включен. (только если переключатель вывода аудиосигнала установлен в положение LINE OUT)

Подключение аппарата к сети

В данном разделе описывается процесс регистрации аппарата в сети MusicCast и его настройки для сетевого подключения.

Даже если аппарат подключен к сети с помощью кабеля, регистрация в сети MusicCast необходима для воспроизведения сетевых источников.

ПРИМЕЧАНИЕ

- ◆ Для воспроизведения источников аудиосигнала высокого разрешения через сеть рекомендуется использовать проводное подключение для более устойчивого воспроизведения. (⇒ стр. 17)
- ◆ Ваше мобильное устройство уже должно быть подключено к маршрутизатору беспроводной локальной сети (точке доступа).

1 Установите приложение MusicCast CONTROLLER на мобильном устройстве.

В App Store или Google Play найдите приложение MusicCast CONTROLLER (бесплатное) и установите его на мобильном устройстве.

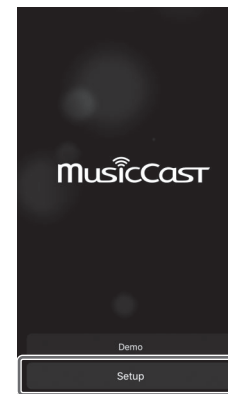
Подробнее о приложении MusicCast CONTROLLER см. на следующем веб-сайте.

<https://www.yamaha.com/musiccast/>



MusicCast CONTROLLER – приложение для управления устройствами, которые поддерживают технологию MusicCast. Оно позволяет одновременно воспроизводить музыку на нескольких MusicCast-совместимых устройствах в разных комнатах. Можно использовать смартфон или другое мобильное устройство для дистанционного управления и легко переключать композиции и выполнять настройки на MusicCast-совместимом устройстве.

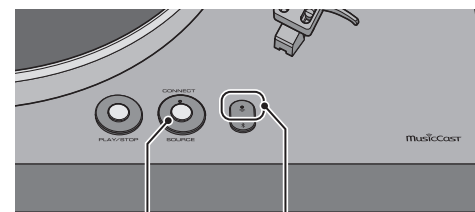
2 Запустите приложение MusicCast CONTROLLER на своем мобильном устройстве и нажмите “Настроить”.




Нажмите здесь.

3 Управляйте приложением MusicCast CONTROLLER согласно инструкциям на экране мобильного устройства и на верхней панели аппарата удерживайте кнопку CONNECT в течение пяти секунд.


Индикатор  (беспроводная локальная сеть) начнет мигать.



CONNECT

Индикатор 
(беспроводная локальная сеть)


4 Следуйте инструкциям на экране мобильного устройства для управления приложением MusicCast CONTROLLER, чтобы настроить сетевые параметры.

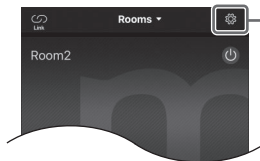
Когда аппарат подключится к сети, загорится индикатор  (беспроводная локальная сеть).

Теперь аппарат зарегистрирован в сети MusicCast, а сетевые параметры настроены.

Используйте приложение MusicCast CONTROLLER для воспроизведения музыки.

ПРИМЕЧАНИЕ

- ◆ Для настройки дополнительных MusicCast-совместимых устройств нажмите на значок  (Настройки) в правом верхнем углу на экране MusicCast CONTROLLER и выберите значение “Добавить новое устройство”.



Нажмите здесь, чтобы начать настройку параметров.

Воспроизведение

Прослушивание пластинки

Далее представлены инструкции для воспроизведения пластинки.

■ Запуск воспроизведения

ВНИМАНИЕ

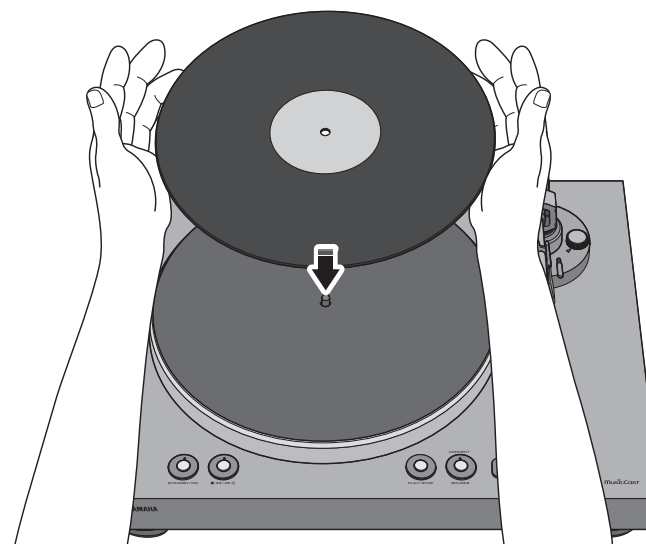
- ◆ Если пластинка воспроизводится без достаточного уменьшения громкости усилителя, возможно возникновение громкого звука при соприкосновении кончика иглы с пластинкой. Это может привести к потере слуха и повредить усилитель и колонки, поэтому обязательно уменьшайте громкость усилителя.
- ◆ Если при воспроизведении пластинки звук выводится через гнезда LINE OUT, опорный диск останавливается при переключении источника с PHONO на сетевой или Bluetooth.

ПРИМЕЧАНИЕ

- ◆ Приложение MusicCast CONTROLLER не может запускать или останавливать воспроизведение пластинки или переключать скорость.

1 Откройте защитную крышку и установите пластинку на опорный диск.

При воспроизведении пластинки 45 об/мин используйте прилагаемый адаптер для скорости 45 об/мин.



2 Нажмите кнопку 33/45 (скорость), чтобы выбрать соответствующую скорость для пластинки.

Скорость переключается при каждом нажатии кнопки 33/45 (скорость).

Индикатор скорости горит: 33 1/3 об/мин

Индикатор скорости не горит: 45 об/мин

3 Нажмите SOURCE, чтобы переключить источник на PHONO.

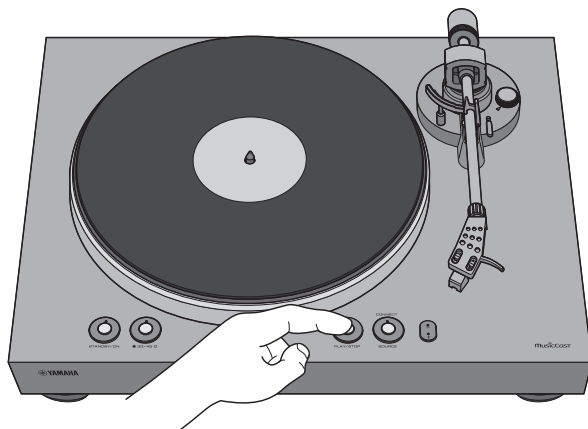
Индикатор SOURCE загорится белым цветом.

ПРИМЕЧАНИЕ

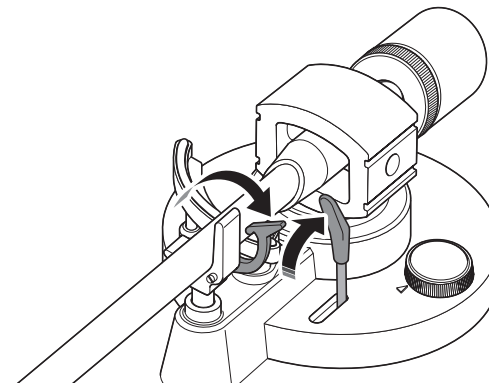
- ◆ Если переключатель вывода аудиосигнала установлен в положение PHONO OUT, переключение источника не требуется.

4 Нажмите кнопку PLAY/STOP (воспроизведение/остановка).

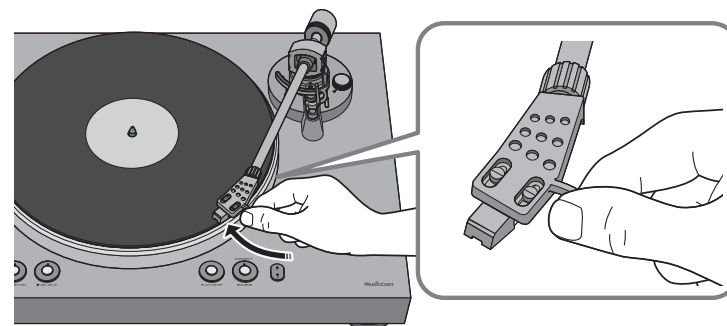
Опорный диск будет вращаться.



5 Ослабьте фиксатор тонарма и поднимите рычаг подъема.

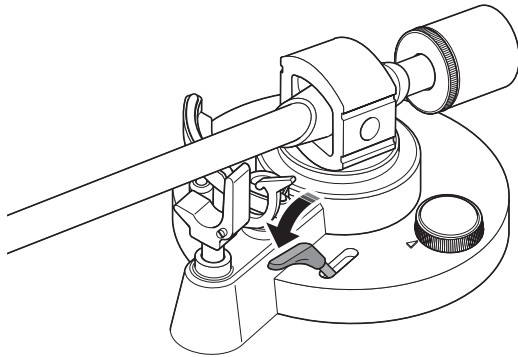


6 Переместите тонарм в положение воспроизведения на пластинке.



7 Опустите рычаг подъема.

Тонарм опустится и начнется воспроизведение.



■ Приостановка воспроизведения

Когда вы поднимаете рычаг подъема, тонарм поднимается и воспроизведение приостанавливается.

Когда вы опускаете рычаг подъема, воспроизведение возобновляется.

■ Остановка воспроизведения

- 1 Поднимите рычаг подъема.
- 2 Верните тонарм на опору.
- 3 Опустите рычаг подъема.
- 4 Нажмите кнопку **PLAY/STOP** (воспроизведение/остановка).
Опорный диск перестанет вращаться.
- 5 Зафиксируйте тонарм.

ПРИМЕЧАНИЕ

- ◆ Тонарм автоматически не поднимается, когда заканчивается воспроизведение пластинки.
- ◆ Если вы не планируете использовать аппарат в течение определенного времени, прикрепите крышку к игле, чтобы ее защитить.

Прослушивание Интернет-радио

Здесь описывается процедура выбора Интернет-радиостанции с помощью приложения MusicCast CONTROLLER, которое установлено на мобильном устройстве.

ПРИМЕЧАНИЕ

- ◆ Перед выбором радиостанции зарегистрируйте аппарат в сети MusicCast. (⇒ стр. 21)
- ◆ Некоторые Интернет-радиостанции могут быть недоступны постоянно или в определенные часы.
- ◆ Данная функция использует службу “airable.Radio”. Эта служба предоставляется компанией Tune In GmbH.
- ◆ Данная служба может быть изменена или прекращена без уведомления.

- 1 С помощью приложения MusicCast CONTROLLER выберите комнату, в которой находится данный аппарат (например, Room 1).
- 2 Нажмите “Net Radio”.
- 3 Выберите Интернет-радиостанцию, которую вы хотите прослушать.

Прослушивание служб потоковой передачи

Можно прослушивать службу потоковой передачи с помощью приложения MusicCast CONTROLLER, которое установлено на мобильном устройстве. Подробная информация представлена в дополнительных пояснениях о службах потоковой передачи, доступных в вашем регионе. Зайдите на сайт Yamaha Downloads, чтобы загрузить файл с дополнительными пояснениями.
<https://download.yamaha.com/>

ПРИМЕЧАНИЕ

- ◆ Работа службы ограничена в некоторых регионах.
- ◆ Службы, поддерживаемые аппаратом, могут быть недоступны в зависимости от региона, в котором приобретен аппарат.
- ◆ Служба может быть изменена или прекращена без уведомления.

Воспроизведение музыкальных файлов, хранящихся на медиа-сервере (ПК/NAS)

С помощью аппарата можно воспроизводить музыкальные файлы, хранящиеся на компьютере или DLNA-совместимом устройстве Network Attached Storage (NAS).

ПРИМЕЧАНИЕ

- ◆ Звук может прерываться при использовании беспроводного сетевого подключения. В этом случае используйте проводное сетевое подключение. (⇒ стр. 17)
- ◆ Подробнее о форматах файлов, которые могут воспроизводиться на аппарате, см .в разделе “Поддерживаемые устройства и форматы файлов” (⇒ стр. 41). Ознакомьтесь также с техническими характеристиками устройства NAS.

Настройка совместного использования носителей

Для воспроизведения с помощью аппарата музыки, хранящейся на ПК (или устройстве NAS), необходимо включить функцию совместного использования носителей между данным аппаратом и другими устройствами.

■ Для ПК с проигрывателем Windows Media Player

Процедура настройки может отличаться в зависимости от ПК и версии Windows Media Player. В приведенной ниже инструкции в качестве примера используется Windows Media Player12.

ПРИМЕЧАНИЕ

- ◆ Способ зависит от компьютера и используемых настроек. За более подробной информацией обратитесь к производителю компьютера или к справочному руководству по Windows Media Player.

- 1 Запустите Windows Media Player 12 на своем ПК.
- 2 Выберите “Поток”, а затем “Включить потоковую передачу медиа”.

- 3 Нажмите “Включить потоковую передачу медиа”.
- 4 Выберите значение “Разрешить” из раскрывающегося списка рядом с названием модели аппарата.
- 5 Для выхода из меню нажмите “ОК”.

■ Для ПК или NAS с программным обеспечением для сервера DLNA, отличным от Windows Media Player

Настройте параметры совместного использования носителей в соответствии с инструкциями по эксплуатации устройства или ПО.

Воспроизведение музыкальных файлов

Здесь описывается процедура воспроизведения с помощью приложения MusicCast CONTROLLER, которое установлено на мобильном устройстве.

ПРИМЕЧАНИЕ

- ◆ Зарегистрируйте аппарат в качестве устройства MusicCast перед воспроизведением музыкальных файлов. (⇒ стр. 21)

- 1 С помощью приложения MusicCast CONTROLLER выберите комнату, в которой находится данный аппарат (например, Room 1).
- 2 Нажмите “Сервер”.
- 3 Следуйте инструкциям на экране, чтобы выбрать композицию.

Прослушивание музыки с помощью Bluetooth

С помощью данного аппарата можно воспроизводить музыкальные файлы с устройства Bluetooth (например со смартфона).

ПРИМЕЧАНИЕ


- ◆ Для использования функции Bluetooth переведите переключатель WIRELESS на задней панели аппарата в положение AUTO. (⇒ стр. 12)
- ◆ Информацию о поддерживаемых устройствах Bluetooth см. в разделе “Поддерживаемые устройства и форматы файлов” (⇒ стр. 41).

1 На верхней панели аппарата нажмите кнопку SOURCE, чтобы переключить источник на Bluetooth.

Индикатор SOURCE загорится синим цветом.

2 На устройстве Bluetooth включите функцию Bluetooth.

3 На устройстве Bluetooth выберите данный аппарат из списка доступных устройств.

Когда аппарат подключится к устройству Bluetooth, загорится индикатор  (Bluetooth).

ПРИМЕЧАНИЕ

- ◆ Если запрашивается пароль, введите “0000”.
- ◆ Если аппарат зарегистрирован как устройство MusicCast, название комнаты появится в списке доступных устройств.

4 На устройстве Bluetooth выберите композицию и включите воспроизведение.

ПРИМЕЧАНИЕ

- ◆ Если аппарат обнаружит устройство Bluetooth, которое было ранее подключено, он автоматически подключится к устройству Bluetooth после выполнения шага 1. Для установки еще одного соединения Bluetooth сначала необходимо разорвать текущее соединение Bluetooth.
- ◆ Чтобы разорвать соединение Bluetooth, выполните одно из следующих действий.
 - Отключитесь от устройства Bluetooth.
 - Выберите любое значение, отличное от “Bluetooth”, в качестве источника для данного аппарата.
- ◆ Если включен режим ожидания Bluetooth, аппарат автоматически включится при выполнении операции подключения на устройстве Bluetooth. (⇒ стр. 31)

Прослушивание музыки с помощью AirPlay

Можно использовать функцию AirPlay для воспроизведения музыкальных файлов iTunes или iOS через сеть.

ПРИМЕЧАНИЕ

- ◆ Если устройство iOS не распознает аппарат, проверьте сетевую среду (например, маршрутизатор).
- ◆ Информацию о поддерживаемых устройствах iOS см. в разделе “Поддерживаемые устройства и форматы файлов” (⇒ стр. 41).

1 Запустите iTunes или откройте экран воспроизведения музыки на устройстве iOS.

Если iTunes или устройство iOS распознает аппарат, появится значок AirPlay.

Пример (iOS 10)



Пример (iTunes)



2 В iTunes или на устройстве iOS нажмите на значок AirPlay, а затем выберите данный аппарат в качестве направления вывода аудиосигнала.

3 Выберите композицию в iTunes или на устройстве iOS, чтобы начать воспроизведение.

Источник аппарата автоматически переключится на сеть (Airplay) и начнется воспроизведение.

Индикатор SOURCE загорится розовым цветом.

Использование приложения MusicCast CONTROLLER для сохранения избранного содержимого

Можно сохранить до 40 элементов избранного содержимого (композиции, сохраненные на ПК, и Интернет-радиостанции).

- 1 Начните воспроизведение композиции или Интернет-радиостанции, которую хотите сохранить.
- 2 На экране воспроизведения нажмите **•••**, а затем нажмите “Добавить в предпочтения”.



Нажмите здесь.

■ Вызов сохраненного содержимого

- 1 С помощью приложения MusicCast CONTROLLER выберите комнату, в которой находится данный аппарат (например, Room 1).
- 2 Нажмите “Предпочтения” и выберите содержимое для воспроизведения.

Детальные настройки

Выполнение настроек с помощью MusicCast CONTROLLER

С помощью приложения MusicCast CONTROLLER можно выполнять настройки различных функций.

Настройка таймера автовыключения

Данная функция автоматически переводит питание аппарата в режим ожидания после истечения указанного периода времени.

Настройки: Выкл. (по умолчанию), 30 мин., 60 мин., 90 мин., 120 мин.

ПРИМЕЧАНИЕ

- ◆ **Настройки таймера сна отменяются при выполнении любого из следующих действий.**
 - Перевод данного аппарата в режим ожидания.
 - Отключение данного аппарата от розетки переменного тока.
 - Переключение источника на PHONO.
- ◆ **Таймер сна невозможно использовать, если в качестве источника выбрано значение PHONO.**

Включение и выключение автоматического воспроизведения

Данная функция определяет, будут ли композиции с компьютера (сервера) воспроизводиться автоматически, если в качестве источника выбрано значение “Сервер”.

Настройки

Вкл. (по умолчанию): автоматическое воспроизведение включено.

Если аппарат сохраняет журнал воспроизведения, то последний воспроизводимый элемент будет воспроизведен снова. Если такой элемент больше не существует, аппарат не будет его воспроизводить.

Выкл.: автоматическое воспроизведение выключено.

Включение и выключение автоматического перехода в режим ожидания

Данная функция автоматически переводит питание в режим ожидания после истечения указанного периода времени, в течение которого воспроизведение или другие операции не выполняются.

Настройки

Выкл.: автоматический переход в режим ожидания выключен.

Вкл.: автоматический переход в режим ожидания включен.

Если воспроизведение на аппарате не выполнялось в течение 20 минут, или другие операции не выполнялись в течение восьми часов, питание автоматически переключается в режим ожидания.

По умолчанию

Модели для Соединенного Королевства, Европы и Кореи: Вкл.

Другие модели: Выкл

ПРИМЕЧАНИЕ

- ◆ **Непосредственно перед переходом в режим ожидания индикатор STANDBY/ON (питание) мигает.**

Выполнение настроек с помощью веб-браузера

С помощью веб-браузера на компьютере или другом устройстве можно настраивать данный аппарат и сетевое подключение. Далее описывается настройка режима ожидания.

Подключите аппарат к сети перед выполнением следующих операций. (⇒ стр. 17 и 21)

Доступ к экрану настроек

Здесь описана процедура доступа к экрану настроек на компьютере.

- 1 С помощью приложения MusicCast CONTROLLER узнайте IP-адрес аппарата.
- 2 Запустите веб-браузер на компьютере.
- 3 В адресной строке веб-браузера введите IP-адрес и нажмите Enter.

Появится экран настроек.

ПРИМЕЧАНИЕ

- ◆ Мы не гарантируем, что данная процедура будет работать на всех устройствах и со всеми браузерами.

■ Настройка режима ожидания

Сеть режим ожидания

Определяет, можно ли включить питание аппарата с сетевого устройства.

Auto (по умолчанию): режим “Сеть режим ожидания” включен.

Если аппарат не подключен к сети, режим “Сеть режим ожидания” автоматически выключается. (Аппарат переходит в экономичный режим ожидания.)

On: режим “Сеть режим ожидания” включен. Если выбран данный параметр, то энергопотребление будет выше по сравнению с параметром “Off”.

Off: режим “Сеть режим ожидания” выключен. (Аппарат переходит в экономичный режим ожидания.)

Режим ожидания Bluetooth

Определяет, можно ли управлять питанием аппарата с устройства Bluetooth. Если выбран параметр “On”, аппарат автоматически включится при выполнении операции подключения на устройстве Bluetooth.

On (по умолчанию): режим ожидания Bluetooth включен. (Только если параметр “Сеть режим ожидания” имеет значение “Auto” или “On”.)

Off: режим ожидания Bluetooth выключен.



Благодаря улучшенному энергосбережению данный продукт отличается низким энергопотреблением (не более 2 Вт в режиме “Сеть режим ожидания”).



Операции, выполняемые по мере необходимости

Обновление встроенного программного обеспечения

По мере необходимости появляется новое встроенное ПО, включающее дополнительные функции и усовершенствования изделия. Можно обновить встроенное ПО с помощью приложения MusicCast CONTROLLER, которое установлено на мобильном устройстве.

При наличии нового встроенного ПО на экране приложения MusicCast CONTROLLER отображается сообщение “Обновить ПО сейчас?”.

1 Нажмите “Да”.

Начнется обновление встроенного программного обеспечения.

В процессе обновления будет отображаться шкала выполнения на экране приложения MusicCast CONTROLLER, а индикатор SOURCE на аппарате будет мигать синим цветом.

После успешного обновления на экране приложения MusicCast CONTROLLER появится надпись “Обновление завершено.”, а индикатор SOURCE на аппарате будет гореть синим цветом.

УВЕДОМЛЕНИЕ

- ◆ Во время обновления встроенного ПО не выполняйте никакие операции на аппарате и не отключайте адаптер переменного тока или сетевой кабель.

ПРИМЕЧАНИЕ

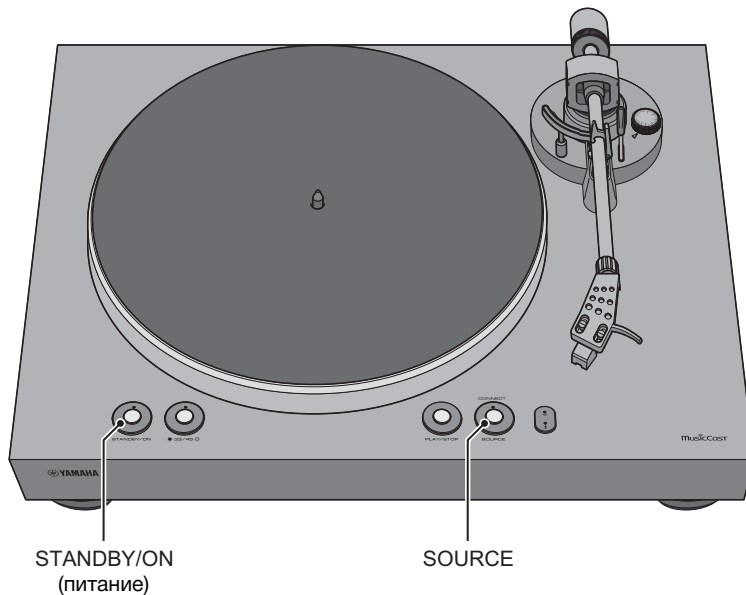
- ◆ Если выбрано значение “Позже”, нажмите  (Настройки) в приложении MusicCast CONTROLLER и выберите “Новое встроенное программное обеспечение доступно.”. Обновите встроенное ПО согласно указаниям на экране.
- ◆ При наличии нового встроенного ПО индикатор SOURCE также мигает оранжевым цветом, когда питание аппарата включено.
- ◆ Если приложение MusicCast CONTROLLER не используется, обновление встроенного ПО можно запустить, удерживая кнопку PLAY/STOP (воспроизведение/остановка) и нажав кнопку STANDBY/ON (питание), когда аппарат находится в режиме ожидания.
- ◆ Подробнее о встроенном ПО см. на веб-сайте Yamaha.

Инициализация настроек


Далее описана процедура инициализации настроек аппарата.

- 1 **Нажмите кнопку STANDBY/ON (питание), чтобы перевести аппарат в режим ожидания.**
- 2 **Удерживая кнопку SOURCE, нажмите кнопку STANDBY/ON (питание), чтобы включить питание аппарата.**

Настройки будут инициализированы.



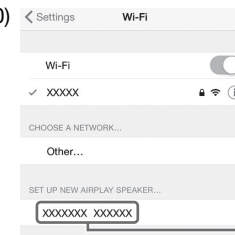
Подключение к сети с помощью функции WAC

При первом включении питания после покупки аппарата или его инициализации индикатор  (беспроводная локальная сеть) будет мигать. (За исключением случаев, когда аппарат уже подключен к сети с помощью кабеля или когда переключатель вывода аудиосигнала установлен в положение PHONO OUT) Пока он мигает, можно подключиться к беспроводной сети, используя сетевые настройки устройства iOS (функция WAC).

Для использования данной функции выполните следующие действия.

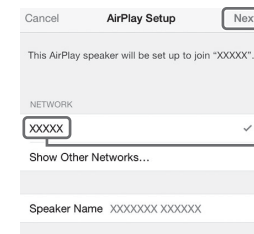
- 1 **На экране Wi-Fi устройства iOS выберите данный аппарат в качестве колонки AirPlay.**

Пример (iOS 10)



Имя данного аппарата

- 2 **Убедитесь, что в поле "Network" указана ваша предпочтительная сеть, и нажмите "Next".**



Нажмите здесь, чтобы начать настройку.

Текущая выбранная сеть

После завершения настройки аппарат автоматически подключается к выбранной сети (точке доступа).

Уход

■ Уход за аппаратом

Протирайте аппарат мягкой сухой тканью. Не используйте химические средства такие как бензин или растворитель, т.к. они могут повредить поверхность.

■ Уход за иглой пластинки

Кончик иглы пластинки очень чувствительный. Обращайтесь с ним очень аккуратно, чтобы не повредить. При налипании пыли на кончик иглы используйте мягкую заостренную кисть, чтобы стереть ее, начиная от основания иглы в направлении кончика, либо используйте имеющийся в продаже специальный инструмент для чистки.

■ Уход за пластинками

Грязь, налипающая на пластинку, может вызвать перескакивание или шум при воспроизведении. Используйте имеющийся в продаже инструмент для чистки пластинок, чтобы стереть грязь.

Замена

Замена ремня

В зависимости от условий эксплуатации ремень может изнашиваться или порваться. Если это произошло, замените ремень. Для замены ремня обратитесь к ближайшему авторизованному дилеру Yamaha или в сервисный центр.

- 1 **Выключите питание аппарата и подключенных устройств и отключите адаптер переменного тока аппарата от розетки.**
- 2 **Снимите пластину с опорного диска.**
- 3 **Отсоедините ремень от ролика.**
- 4 **Вставьте пальцы в круглые отверстия опорного диска и поднимите его.**



ВНИМАНИЕ

- ◆ **Будьте аккуратны, не роняйте опорный диск. Это может привести к травме или повредить аппарат.**

- 5 **Переверните опорный диск и снимите ремень.**
- 6 **Установите новый ремень на опорный диск.**
Следите за тем, чтобы ремень не перекручивался.
- 7 **Установите опорный диск на аппарат.**
Подробнее об установке см. в разделе “Сборка” на стр. 13.

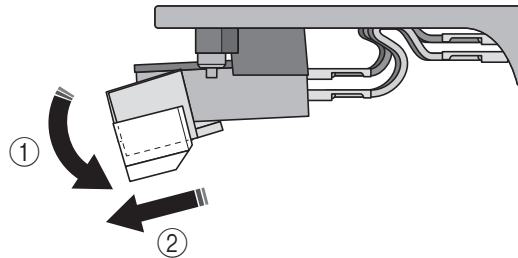
Замена иглы пластинки

Если кончик иглы износился или поврежден, немедленно замените ее. Для замены следует приобрести сменную иглу ATN3600L производства Audio-Technica.

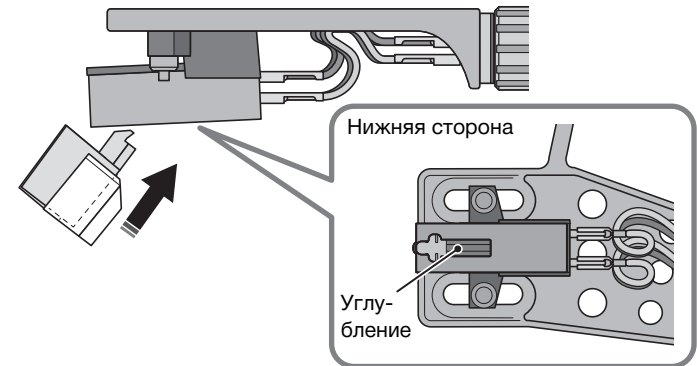
⚠ ВНИМАНИЕ

- ◆ Прикрепите крышку иглы перед заменой иглы. Кончик иглы может поранить вас или он может быть поврежден.
- ◆ Следите, чтобы дети не проглотили иглу, когда она снята.

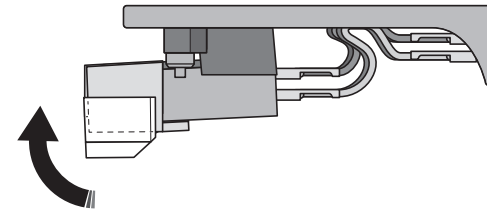
- 1 Выключите питание аппарата и подключенных устройств и отключите адаптер переменного тока аппарата от розетки.
- 2 Удерживая пальцами корпус картриджа, нажмите на иглу в направлении ① и потяните ее в направлении ②, чтобы ее снять.



- 3 Удерживая пальцами корпус картриджа, вставьте выступ на сменной игле в углубление на нижней стороне картриджа.



- 4 Нажмите на иглу в направлении вверх до щелчка.



Перемещение аппарата

При перемещении аппарата зафиксируйте тонарм, чтобы он был неподвижен.

Поиск и устранение неисправностей

Если аппарат перестает работать правильно, проверьте следующее.

Если выполнение соответствующего действия не решает проблему, или проблема не указана в списке ниже, нажмите кнопку STANDBY/ON (питание), расположенную на верхней панели аппарата, чтобы выключить питание, отсоедините силовой кабель и обратитесь к ближайшему авторизованному дилеру Yamaha или в сервисный центр.

Неисправности общего характера

Неисправность	Причина	Действие	Страница для справки
При нажатии кнопки STANDBY/ON (питание) питание не включается.	Адаптер переменного тока отсоединен от гнезда DC IN на аппарате или от розетки переменного тока либо вставлен недостаточно плотно.	Плотно вставьте адаптер переменного тока в гнездо DC IN на аппарате и в розетку.	16
При нажатии кнопки STANDBY/ON (питание) индикатор STANDBY/ON (питание) мигает и питание не включается.	Схема защиты сработала три раза подряд.	Для защиты аппарата питание больше не включается. Обратитесь в сервисный центр Yamaha, чтобы отремонтировать аппарат.	—
При нажатии кнопки SOURCE источник не переключается.	Переключатель вывода аудиосигнала установлен в положение PHONO OUT.	Установите переключатель вывода аудиосигнала в положение LINE OUT.	12
Опорный диск не вращается.	Ремень неправильно расположен на опорном диске или ролике либо ремень слетел.	Прикрепите ремень правильно на опорном диске или ролике.	13
	Кнопка STANDBY/ON (питание) не нажата.	Нажмите кнопку STANDBY/ON (питание).	20
Нет звука.	Каркас головки неправильно присоединен к тонарму.	Правильно присоедините каркас головки к тонарму.	14
	Стереокабель RCA подключен неправильно.	Правильно подключите стереокабель RCA.	16
	Включена функция приглушения звука на усилителе.	Выключите функцию приглушения звука на усилителе.	—
	Переключатель вывода аудиосигнала на аппарате установлен в неправильное положение.	Установите переключатель вывода аудиосигнала в правильное положение для подключенного устройства.	16

Неисправность	Причина	Действие	Страница для справки
Уровень громкости слишком низкий или слишком высокий.	Неправильно настроен картридж усилителя или фоноэквайзера.	Правильно настройте картридж усилителя или фоноэквайзера в соответствии с используемым типом картриджа (ММ или МС).	—
	Переключатель вывода аудиосигнала установлен в неправильное положение.	Установите переключатель вывода аудиосигнала в правильное положение для подключенного устройства.	16
Наблюдаются нарушения баланса левого и правого канала вывода звука.	Аппарат наклонен.	Расположите аппарат на ровной поверхности.	—
Неправильная скорость воспроизведения.	Скорость настроена неправильно.	Выберите правильную настройку 33/45 (скорость). Данный аппарат не поддерживает воспроизведение пластинок SP (78 об/мин).	10
Слышно гудение.	Стереокабель RCA подключен неправильно.	Правильно подключите стереокабель RCA.	16
	Каркас головки неплотно присоединен к тонарму.	Используйте фиксирующую гайку, чтобы плотно присоединить каркас головки к тонарму.	14
Возникают пропуски при воспроизведении. Возникает шум. Звук искажен.	Давление иглы настроено неправильно.	Установите отметку на противовесе в соответствии с давлением иглы, указанным для картриджа.	18
	Пластинка поцарапана или деформирована.	Не используйте поцарапанные или деформированные пластинки.	—
	Пластинка грязная.	Используйте имеющийся в продаже инструмент для чистки пластинок, чтобы ее очистить.	—
	На пластинке имеется статический заряд.	Используйте антистатическую кисть, чтобы убрать статический заряд.	—
	Игла грязная.	Сотрите грязь с иглы.	34
	Игла изношена.	Замените иглу.	35
Возникает резонанс.	Аппарат расположен на поверхности, подверженной вибрации.	Расположите аппарат на ровной поверхности, которая не подвержена вибрации.	—
	Аппарат расположен очень близко к колонкам. Слишком высокий уровень громкости воспроизведения.	Переместите аппарат дальше от колонок. Настройте громкость усилителя.	—

Bluetooth

Неисправность	Причина	Действие	Страница для справки
Не удается установить сопряжение между аппаратом и устройством Bluetooth.	Переключатель WIRELESS на задней панели аппарата установлен в положение OFF.	Установите переключатель WIRELESS на задней панели аппарата в положение AUTO.	12
	Переключатель вывода аудиосигнала на аппарате установлен в положение PHONO OUT.	Установите переключатель вывода аудиосигнала на аппарате в положение LINE OUT.	12
	Другое устройство Bluetooth уже подключено к аппарату.	Отключите устройство Bluetooth, с которым установлено сопряжение, а затем установите сопряжение с желаемым устройством Bluetooth.	28
	Аппарат и устройства Bluetooth находятся слишком далеко друг от друга.	Переместите устройство Bluetooth ближе к аппарату.	—
	Беспроводное соединение нарушается из-за помех от устройства, которое использует частотный диапазон 2,4 ГГц (например, микроволновая печь или беспроводная локальная сеть).	Переместите аппарат или устройство Bluetooth подальше от таких устройств. Если маршрутизатор беспроводной локальной сети поддерживает частотный диапазон 5 ГГц, переключитесь на соединение, которое использует частотный диапазон 5 ГГц.	—
	Ваше устройство Bluetooth не поддерживает протокол A2DP.	Используйте устройство Bluetooth, которое поддерживает протокол A2DP.	—
	Профиль подключения, сохраненный на устройстве Bluetooth, может по какой-то причине работать неправильно.	Удалите профиль Bluetooth на устройстве Bluetooth, а затем подключите устройство Bluetooth к аппарату.	—
	Пароль устройств, таких как адаптер Bluetooth, для которых вы хотите установить сопряжение с аппаратом, отличается от "0000".	Используйте подключаемое устройство с паролем "0000".	—
	Громкость устройства Bluetooth слишком мала.	Увеличьте громкость устройства Bluetooth.	—
	Звука нет или он периодически прерывается.	Устройство Bluetooth не настроено на отправку аудиосигналов аппарату.	На устройстве Bluetooth выберите данный аппарат в качестве направления вывода аудиосигнала.
Соединение Bluetooth было разорвано.		Установите соединение Bluetooth повторно.	28
Аппарат и устройства Bluetooth находятся слишком далеко друг от друга.		Переместите устройство Bluetooth ближе к аппарату.	—
Беспроводное соединение нарушается из-за помех от устройства, которое использует частотный диапазон 2,4 ГГц (например, микроволновая печь или беспроводная локальная сеть).		Переместите аппарат или устройство Bluetooth подальше от таких устройств. Если маршрутизатор беспроводной локальной сети поддерживает частотный диапазон 5 ГГц, переключитесь на соединение, которое использует частотный диапазон 5 ГГц.	—

Сеть

Неисправность	Причина	Действие	Страница для справки
Не удается использовать функцию сети.	Параметры сети (IP-адрес) не получены надлежащим образом.	Включите функцию сервера DHCP на маршрутизаторе.	—
	Переключатель вывода аудиосигнала на аппарате установлен в положение PHONO OUT.	Установите переключатель вывода аудиосигнала на аппарате в положение LINE OUT.	12
	Переключатель WIRELESS на задней панели аппарата установлен в положение OFF.	Установите переключатель WIRELESS на задней панели аппарата в положение AUTO.	12
	Вы пытаетесь подключиться к маршрутизатору типа IPv6.	Данный аппарат не совместим с сетями IPv6. Подключите его к сети IPv4.	—
Невозможно подключить аппарат к Интернету с помощью маршрутизатора беспроводной локальной сети (точки доступа).	Маршрутизатор беспроводной локальной сети (точка доступа) выключен.	Включите питание маршрутизатора беспроводной локальной сети (точки доступа).	—
	Аппарат и маршрутизатор беспроводной локальной сети (точка доступа) находятся слишком далеко друг от друга.	Расположите аппарат и маршрутизатор беспроводной локальной сети (точку доступа) ближе друг к другу.	—
	Между аппаратом и маршрутизатором беспроводной локальной сети (точкой доступа) находится препятствие.	Уберите препятствие между аппаратом и маршрутизатором беспроводной локальной сети (точкой доступа).	—
Не удается использовать беспроводную сеть.	Рядом находится устройство, излучающее электромагнитные волны (например, микроволновая печь, беспроводное устройство и т.д.).	При подключении аппарата по беспроводной связи не используйте его рядом с устройствами, которые излучают электромагнитные волны.	—
	Доступ к сети ограничен настройками брандмауэров маршрутизатора беспроводной локальной сети (точки доступа).	Проверьте настройки брандмауэров маршрутизатора беспроводной локальной сети (точки доступа).	—
Не удается обнаружить компьютер (сервер).	Параметры совместного использования носителей на ПК (или сервере) могут быть неправильными.	Измените параметры совместного использования носителей, чтобы аппарат мог иметь доступ к папкам на ПК (или сервере).	—
	Доступ ограничен из-за настроек безопасности на ПК (или сервере) или маршрутизаторе.	Проверьте настройки безопасности на ПК (или сервере) или маршрутизаторе.	—
	Аппарат и ПК не подключены к одной сети.	Проверьте сетевое подключение и настройки маршрутизатора, чтобы убедиться, что они подключены к одной сети.	—
Файлы на ПК (или сервере) не отображаются (или не воспроизводятся).	Формат файлов не поддерживается аппаратом или ПК (сервером).	Обязательно используйте формат файлов, который поддерживается аппаратом и ПК.	41

Неисправность	Причина	Действие	Страница для справки
Не удается воспроизвести Интернет-радиостанцию.	Выбранная Интернет-радиостанция в данный момент не работает.	Возможно, возникли проблемы на радиопередающей станции, либо вещание было прекращено. Попробуйте включить эту станцию позже или выберите другую станцию.	—
	Выбранная радиостанция в текущий момент вещает тишину.	Некоторые Интернет-радиостанции вещают тишину в течение определенных периодов в течение дня. В этом случае никаких проблем с приемом радиосигнала нет, но звук отсутствует. Попробуйте воспроизвести эту станцию позже или выберите другую станцию.	—
	Доступ к сети ограничен настройками брандмауэров сетевых устройств (например, настройками маршрутизатора и т. п.).	Проверьте настройки брандмауэров на устройствах. Воспроизведение Интернет-радиостанции возможно только в том случае, если данные проходят через порт, назначенный каждой радиостанцией. Номер порта изменяется в зависимости от радиостанции.	—
Устройство iOS не распознает аппарат при использовании AirPlay.	Возможно, вы используете маршрутизатор, который поддерживает несколько идентификаторов SSID.	Функция разделения сетей на маршрутизаторе может блокировать доступ к аппарату. При подключении устройства iOS к аппарату используйте идентификатор SSID, который разрешает доступ к аппарату. (Попробуйте использовать для подключения основной идентификатор SSID.)	—
Аппарат не распознается при использовании специального приложения на мобильном устройстве.	Аппарат и мобильное устройство находятся в разных сетях.	Проверьте сетевое подключение и настройки маршрутизатора, чтобы убедиться, что они подключены к одной сети.	—
	Возможно, вы используете маршрутизатор, который поддерживает несколько идентификаторов SSID.	Функция разделения сетей на маршрутизаторе может блокировать доступ к аппарату. При подключении устройства iOS к аппарату используйте идентификатор SSID, который разрешает доступ к аппарату. (Попробуйте использовать для подключения основной идентификатор SSID.)	—
Произошел сбой при обновлении встроенного ПО на аппарате.	Недостаточно хорошее сетевое подключение.	Попробуйте выполнить обновление позже.	32
Невозможно подключить аппарат к маршрутизатору беспроводной локальной сети (точке доступа).	Возможно, включен фильтр MAC-адреса на маршрутизаторе беспроводной локальной сети (точке доступа).	Аппарат не сможет подключиться к маршрутизатору, если включен фильтр MAC-адреса. Измените настройки на маршрутизаторе беспроводной локальной сети (точке доступа) и попробуйте подключить аппарат еще раз.	—

Поддерживаемые устройства и форматы файлов

Следующие устройства и форматы файлов могут использоваться аппаратом.

Поддерживаемые устройства

■ Устройства Bluetooth

- ♦ Можно использовать устройства Bluetooth, которые поддерживают протокол A2DP.
- ♦ Компания Yamaha не гарантирует подключение всех устройств Bluetooth.

■ AirPlay

AirPlay работает с iPhone, iPad и iPod touch с iOS 4.3.3 или более поздней версии, Mac с OS X Mountain Lion или более поздней версии и ПК с iTunes 10.2.2 или более поздней версии.

Совместимые модели (по состоянию на июль 2018 года)

Предназначено для.

iPhone X, iPhone 8 Plus, iPhone 8, iPhone 7 Plus, iPhone 7, iPhone SE, iPhone 6s Plus, iPhone 6s, iPhone 6 Plus, iPhone 6, iPhone 5s, iPhone 5c, iPhone 5, iPhone 4s

iPad Pro (10,5"), iPad Pro (12,9") 2 поколение, iPad Pro (12,9") 1 поколение, iPad Pro (9,7"), iPad mini 4, iPad Air 2, iPad mini 3, iPad Air, iPad mini 2, iPad mini, iPad (5 поколение), iPad (4 поколение), iPad (3 поколение), iPad 2 iPod touch (6 поколение), iPod touch (5 поколение)

Форматы файлов

■ ПК/NAS

Файл	Частота дискретизации (кГц)	Битовая глубина (бит)	Битрейт (кбит/с)	Количество каналов	Поддержка непрерывного воспроизведения
WAV *	32/44,1/48/ 88,2/96/ 176,4/192	16/24	-	2	3
MP3	32/44,1/48	-	8–320	2	-
WMA	32/44,1/48	-	8–320	2	-
MPEG-4 AAC	32/44,1/48	-	8–320	2	-
FLAC	32/44,1/48/ 88,2/96/ 176,4/192	16/24	-	2	3
ALAC	32/44,1/48/ 88,2/96	16/24	-	2	3
AIFF	32/44,1/48/ 88,2/96/ 176,4/192	16/24	-	2	3
DSD	2,8 МГц/ 5,6 МГц 11,2 МГц	1	-	2	-

* Только линейный формат PCM

- ♦ Для воспроизведения файлов FLAC, которые хранятся на ПК или в NAS, необходимо установить на ПК серверное ПО, поддерживающее совместное использование FLAC-файлов через DLNA, или использовать сетевое хранилище данных (NAS), поддерживающее файлы FLAC. Подробнее смотрите в руководстве по серверному ПО.
- ♦ Содержимое стандарта Digital Rights Management (DRM) нельзя воспроизводить.

Товарные знаки



Наличие этикетки Works with Apple означает, что устройство предназначено специально для работы с технологией, указанной на этикетке, и сертифицировано разработчиком на соответствие стандартам технических характеристик компании Apple.

Apple, iPad, iPad Air, iPad Pro, iPhone и iTunes являются товарными знаками компании Apple Inc., зарегистрированными в США и других странах.

App Store является знаком обслуживания компании Apple Inc.

Windows™

Windows является зарегистрированным товарным знаком Microsoft Corporation в США и других странах. Internet Explorer, Windows Media Audio и Windows Media Player являются зарегистрированными товарными знаками или товарными знаками Microsoft Corporation в США и/или других странах.

Android™ Google Play™

Android и Google Play являются товарными знаками Google Inc.



Логотип Wi-Fi CERTIFIED™ является сертификационным знаком компании Wi-Fi Alliance®. Wi-Fi, Wi-Fi CERTIFIED и Wi-Fi Protected Setup являются зарегистрированными товарными знаками или товарными знаками компании Wi-Fi Alliance®.



Словесный знак и логотипы Bluetooth® являются зарегистрированными товарными знаками, принадлежащими Bluetooth SIG, Inc., и любое использование таких знаков корпорацией Yamaha Corporation осуществляется по лицензии. Другие товарные знаки и торговые наименования являются собственностью их соответствующих владельцев.



Экологическая маркировка Yamaha применяется для сертификации продукции, имеющей высокие показатели экологичности.



MusicCast является товарным знаком или зарегистрированным товарным знаком Yamaha Corporation.

Пояснения относительно GPL/LGPL

В некоторых компонентах данного изделия GPL/LGPL используется программное обеспечение с открытым кодом. Вы имеете право на получение, копирование, изменение и распространение только данного программного обеспечения с открытым кодом. Для получения информации относительно программного обеспечения с открытым кодом GPL/LGPL и его получения, а также лицензии GPL/LGPL, см. веб-сайт Yamaha Corporation:
<https://download.yamaha.com/sourcecodes/musiccast/>

Лицензии

Для получения информации о лицензиях на программное обеспечение третьей стороны в данном изделии см. следующее.
[http://\(IP address of this product*\)/licenses.html](http://(IP address of this product*)/licenses.html)
 * IP-адрес данного изделия проверяется с помощью MusicCast CONTROLLER.

Технические характеристики

Данный аппарат имеет следующие технические характеристики.

Опорный диск

Метод привода	Ременной привод
Двигатель	Двигатель постоянного тока
Скорость вращения	33 1/3 об/мин, 45 об/мин
Изменение скорости вращения	±2%
Коэффициент детонации	0,2%
Опорный диск	Алюминиевый литой под давлением Диаметр 30 см

Тонарм

Тип	Статически сбалансированный прямой тонарм
Эффективная длина плеча	223,5 мм
Диапазон регулировки давления иглы	0–4 г
Допустимый вес картриджа	15,5–19 г (включая каркас головки)
Вылет	19 мм

Картридж

Тип	Тип MM
Выходное напряжение	2,5 мВ (1 кГц, 3,5 см/с)
Давление иглы	3,5 ±0,5 г
Вес картриджа	5,0 ±0,3 г
Высота картриджа	17,0 ±0,7 мм
Вес каркаса головки	10г (включая винты, гайки и провода)

Разъемы ввода/вывода

Аналоговый аудиовыход (RCA несбалансированный)
PHONO OUT ×1
LINE OUT ×1
NETWORK (Проводное) ×1 (100Base-TX/10Base-T)

Bluetooth

Функция Sink	
Подключение устройства-источника к аппарату (например, смартфон/планшет)	
Поддерживаемый кодек	SBC, AAC
Поддерживаемый профиль	A2DP, AVRCP
Версия Bluetooth	Вер. 4.2
Беспроводной вывод сигнала	Bluetooth класс 2
Максимальное расстояние передачи данных	10 м (без помех)

Сеть

Поддержка AirPlay
Интернет-радио

Беспроводная сеть

Стандарты беспроводной сети	IEEE 802.11 a/b/g/n/ac*
	* только полоса пропускания канала 20 МГц
Радиочастотный диапазон	2,4 ГГц, 5 ГГц
WPS (Wi-Fi Protected Setup)	
PIN-код	
Способ обеспечения безопасности	
WEP	
WPA2-PSK (AES)	
Смешанный режим	

Аудио (Сеть, Bluetooth)

Уровень выходного сигнала (1 кГц, 0 дБ, Fs 44,1 кГц) . . .	2,0 ±0,3 В
Соотношение сигнал/шум (Сеть ИНФ-А) (от бесконечности до нуля, Fs 44,1 кГц)	110 дБ или более
Динамический диапазон (1 кГц, -60 дБ, Fs 44,1 кГц)	100 дБ или более
Нелинейные искажения (1 кГц, 0 дБ, Fs 44,1 кГц)	0,003% или менее
Частотная характеристика	
Fs 44,1 кГц	2 Гц–20 кГц (+0/-3 дБ)
Fs 48 кГц	2 Гц–24 кГц (+0/-3 дБ)
Fs 96 кГц	2 Гц–48 кГц (+0/-3 дБ)
Fs 192 кГц	2 Гц–96 кГц (+0/-6 дБ)

Аудио (PHONO)

Уровень выходного сигнала	
PHONO OUT (1 кГц, 3,54 см/с)	2,5 мВ ±3 дБВ
LINE OUT	450 мВ (-7 дБВ)
Соотношение сигнал/шум (взвешенный по кривой А, 20 кГц ФНЧ)	67 дБ или более

Общие характеристики

Питание адаптера переменного тока	
Вход	100-240 В переменного тока 50/60 Гц
Выход	12 В/1 А
Потребляемая мощность	6 Вт
Экономичный режим ожидания	0,3 Вт
Сеть режим ожидания вкл./Режим ожидания Bluetooth выкл.	
Проводное	1,4 Вт
Беспроводное (Wi-Fi)	1,8 Вт
Сеть режим ожидания вкл./Режим ожидания Bluetooth вкл.	
Проводное	1,6 Вт
Беспроводное (Wi-Fi)	1,8 Вт
Вес	5,7 кг
Размеры (ширина × высота × глубина)	450 × 136 × 368 мм (включая ножки и выступы)

- ♦ В содержании данного руководства приведены последние на момент публикации технические характеристики. Для получения последней версии руководства посетите веб-сайт корпорации Yamaha и загрузите файл с руководством.

EN	SIMPLIFIED EU DECLARATION OF CONFORMITY
Hereby, Yamaha Music Europe GmbH declares that the radio equipment type [TT-N503] is in compliance with Directive 2014/53/EU. The full text of the EU declaration of conformity is available at the following internet address: https://europe.yamaha.com/en/support/compliance/doc.html	
FR	DECLARATION UE DE CONFORMITE SIMPLIFIEE
Le soussigné, Yamaha Music Europe GmbH, déclare que l'équipement radioélectrique du type [TT-N503] est conforme à la directive 2014/53/UE. Le texte complet de la déclaration UE de conformité est disponible à l'adresse internet suivante: https://europe.yamaha.com/en/support/compliance/doc.html	
DE	VEREINFACHTE EU-KONFORMITÄTSEKTLÄRUNG
Hiermit erklärt Yamaha Music Europe GmbH, dass der Funkanlagentyp [TT-N503] der Richtlinie 2014/53/EU entspricht. Der vollständige Text der EU-Konformitätserklärung ist unter der folgenden Internetadresse verfügbar: https://europe.yamaha.com/en/support/compliance/doc.html	
SV	FÖRENKLAD EU-FÖRSÄKRAN OM ÖVERENSSTÄMMELSE
Härmed försäkrar Yamaha Music Europe GmbH att denna typ av radioutrustning [TT-N503] överensstämmer med direktiv 2014/53/EU. Den fullständiga texten till EU-försäkran om överensstämmelse finns på följande webbadress: https://europe.yamaha.com/en/support/compliance/doc.html	
IT	DICHIARAZIONE DI CONFORMITÀ UE SEMPLIFICATA
Il fabbricante, Yamaha Music Europe GmbH, dichiara che il tipo di apparecchiatura radio [TT-N503] è conforme alla direttiva 2014/53/UE. Il testo completo della dichiarazione di conformità UE è isponibile al seguente indirizzo Internet: https://europe.yamaha.com/en/support/compliance/doc.html	
ES	DECLARACIÓN UE DE CONFORMIDAD SIMPLIFICADA
Por la presente, Yamaha Music Europe GmbH declara que el tipo de equipo radioeléctrico [TT-N503] es conforme con la Directiva 2014/53/UE. El texto completo de la declaración UE de conformidad está isponible en la dirección Internet siguiente: https://europe.yamaha.com/en/support/compliance/doc.html	
PT	DECLARAÇÃO UE DE CONFORMIDADE SIMPLIFICADA
O(a) abaixo assinado(a) Yamaha Music Europe GmbH declara que o presente tipo de equipamento de rádio [TT-N503] está em conformidade com a Diretiva 2014/53/UE. O texto integral da declaração de conformidade está disponível no seguinte endereço de Internet: https://europe.yamaha.com/en/support/compliance/doc.html	
NL	VEREENVOUDIGDE EU-CONFORMITEITSVERKLARING
Hierbij verklaar ik, Yamaha Music Europe GmbH, dat het type radioapparatuur [TT-N503] conform is met Richtlijn 2014/53/EU. De volledige tekst van de EU-conformiteitsverklaring kan worden geraadpleegd op het volgende internetadres: https://europe.yamaha.com/en/support/compliance/doc.html	
BG	ОПРОСТЕНА ЕС ДЕКЛАРАЦИЯ ЗА СЪОТВЕТСТВИЕ
С настоящото Yamaha Music Europe GmbH декларира, че този тип радиосъоръжение [TT-N503] е в съответствие с Директива 2014/53/ЕС. Цялостният текст на ЕС декларацията за съответствие може да се намери на следния интернет адрес: https://europe.yamaha.com/en/support/compliance/doc.html	
CS	ZJEDNODUŠENÉ EU PROHLÁŠENÍ O SHODĚ
Tímto Yamaha Music Europe GmbH prohlašuje, že typ rádiového zařízení [TT-N503] je v souladu se směrnicí 2014/53/EU. Úplné znění EU prohlášení o shodě je k dispozici na této internetové adrese: https://europe.yamaha.com/en/support/compliance/doc.html	
DA	FORENKLET EU-OVERENSSTEMMELSESEKTLÆRING
Hermed erklærer Yamaha Music Europe GmbH, at radioudstyrstypen [TT-N503] er i overensstemmelse med direktiv 2014/53/EU. EU-overensstemmelsestklæringens fulde tekst kan findes på følgende internetadresse: https://europe.yamaha.com/en/support/compliance/doc.html	
ET	LIHTSUSTATUD ELI VASTAVUSDEKLARATSIOON
Käesolevaga deklareerib Yamaha Music Europe GmbH, et käesolev raadioseadme tüüp [TT-N503] vastab direktiivi 2014/53/EL nõuetele. ELi vastavusdeklaratsiooni täielik tekst on kätesaadav järgmisel internetiaadressil: https://europe.yamaha.com/en/support/compliance/doc.html	
EL	ΑΠΛΟΥΣΤΕΥΜΕΝΗ ΔΗΛΩΣΗ ΣΥΜΜΟΡΦΩΣΗΣ ΕΕ
Με την παρούσα ο/η Yamaha Music Europe GmbH, δηλώνει ότι ο ραδιοεξοπλισμός [TT-N503] πληροί την οδηγία 2014/53/ΕΕ. Το πλήρες κείμενο της δήλωσης συμμόρφωσης ΕΕ διατίθεται στην ακόλουθη ιστοσελίδα στο διαδίκτυο: https://europe.yamaha.com/en/support/compliance/doc.html	

HR	POJEDNOSTAVLJENA EU IZJAVA O SUKLADNOSTI
Yamaha Music Europe GmbH ovime izjavljuje da je radijska oprema tipa [TT-N503] u skladu s Direktivom 2014/53/EU. Cjeloviti tekst EU izjave o sukladnosti dostupan je na sljedećoj internetskoj adresi: https://europe.yamaha.com/en/support/compliance/doc.html	
LV	VIENKĀRŠOTA ES ATBILSTĪBAS DEKLARĀCIJA
Ar šo Yamaha Music Europe GmbH deklarē, ka radioiekārta [TT-N503] atbilst Direktīvai 2014/53/ES. Pilns ES atbilstības deklarācijas teksts ir pieejams šādā interneta vietnē: https://europe.yamaha.com/en/support/compliance/doc.html	
LT	SUPAPRASTINTA ES ATITIKTIES DEKLARACIJA
Aš, Yamaha Music Europe GmbH, patvirtinu, kad radijo įrenginių tipas [TT-N503] atitinka Direktyvą 2014/53/ES. Visas ES atitikties deklaracijos tekstas prieinamas šiuo interneto adresu: https://europe.yamaha.com/en/support/compliance/doc.html	
HU	EGYSZERŰSÍTETT EU-MEGFELELŐSÉGI NYILATKOZAT
Yamaha Music Europe GmbH igazolja, hogy a [TT-N503] típusú rádióberendezés megfelel a 2014/53/EU irányelvnek. Az EU-megfelelőségi nyilatkozat teljes szövege elérhető a következők internetes címen: https://europe.yamaha.com/en/support/compliance/doc.html	
PL	UPROSZCZONA DEKLARACJA ZGODNOŚCI UE
Yamaha Music Europe GmbH niniejszym oświadcza, że typ urządzenia radiowego [TT-N503] jest zgodny z dyrektywą 2014/53/UE. Pełny tekst deklaracji zgodności UE jest dostępny pod następującym adresem internetowym: https://europe.yamaha.com/en/support/compliance/doc.html	
RO	DECLȚIA ARAUE DE CONFORMITATE SIMPLIFICATĂ
Prin prezenta, Yamaha Music Europe GmbH declară că tipul de echipamente radio [TT-N503] este în conformitate cu Directiva 2014/53/UE. Textul integral al declarației UE de conformitate este disponibil la următoarea adresă internet: https://europe.yamaha.com/en/support/compliance/doc.html	
SK	ZJEDNODUŠENÉ EÚ VYHLÁSENIE O ZHODE
Yamaha Music Europe GmbH týmto vyhlasuje, že rádiové zariadenie typu [TT-N503] je v súlade so smernicou 2014/53/EU. Úplné EÚ vyhlásenie o zhode je k dispozícii na tejto internetovej adrese: https://europe.yamaha.com/en/support/compliance/doc.html	
SL	POENOSTAVLJENA IZJAVA EU O SKLADNOSTI
Yamaha Music Europe GmbH potrjuje, da je tip radijske opreme [TT-N503] skladen z Direktivo 2014/53/EU. Celotno besedilo izjave EU o skladnosti je na voljo na naslednjem spletnem naslovu: https://europe.yamaha.com/en/support/compliance/doc.html	
FI	YKSINKERTAISTETTU EU-VAATIMUSTENMUKAISUUSVAKUUTUS
Yamaha Music Europe GmbH vakuuttaa, että radiolaitetyypin [TT-N503] on direktiivin 2014/53/EU mukainen. EU-vaatimustenmukaisuusvakuutuksen täysimittainen teksti on saatavilla seuraavassa internetosoitteessa: https://europe.yamaha.com/en/support/compliance/doc.html	
TR	BASİTLEŞTİRİLMİŞ AVRUPA BİRLİĞİ UYGUNLUK BİLDİRİMİ
İşbu belge ile, Yamaha Music Europe GmbH, radyo cihaz tipinin [TT-N503], Direktif 2014/53/AB'ye uygunluğunu beyan eder. AB uyumu beyanının tam metni aşağıdaki internet adresinden edinilebilir: https://europe.yamaha.com/en/support/compliance/doc.html	



AT	CZ	FR	IE	LU	PT	ES	LI	MK
BE	DK	DE	IT	MT	RO	SE	NO	TR
BG	EE	EL	LV	NL	SK	UK	CH	ME
CY	FI	HU	LT	PL	SI	IS	HR	RS

Important Notice: Guarantee Information for customers in European Economic Area (EEA) and Switzerland

Important Notice: Guarantee Information for customers in EEA* and Switzerland	English
For detailed guarantee information about this Yamaha product, and Pan-EEA* and Switzerland warranty service, please either visit the website address below (Printable file is available at our website) or contact the Yamaha representative office for your country. * EEA: European Economic Area	
Wichtiger Hinweis: Garantie-Information für Kunden in der EWR* und der Schweiz	Deutsch
Für nähere Garantie-Information über dieses Produkt von Yamaha, sowie über den Pan-EWR*- und Schweizer Garantieservice, besuchen Sie bitte entweder die folgend angegebene Internetadresse (eine druckfähige Version befindet sich auch auf unserer Webseite), oder wenden Sie sich an den für Ihr Land zuständigen Yamaha-Vertrieb. *EWR: Europäischer Wirtschaftsraum	
Remarque importante: informations de garantie pour les clients de l'EEE et la Suisse	Français
Pour des informations plus détaillées sur la garantie de ce produit Yamaha et sur le service de garantie applicable dans l'ensemble de l'EEE ainsi qu'en Suisse, consultez notre site Web à l'adresse ci-dessous (le fichier imprimable est disponible sur notre site Web) ou contactez directement Yamaha dans votre pays de résidence. * EEE : Espace Economique Européen	
Belangrijke mededeling: Garantie-informatie voor klanten in de EER* en Zwitserland	Nederlands
Voor gedetailleerde garantie-informatie over dit Yamaha-product en de garantieservice in heel de EER* en Zwitserland, gaat u naar de onderstaande website (u vindt een afdrukbaar bestand op onze website) of neemt u contact op met de vertegenwoordiging van Yamaha in uw land. * EER: Europese Economische Ruimte	
Aviso importante: información sobre la garantía para los clientes del EEE* y Suiza	Español
Para una información detallada sobre este producto Yamaha y sobre el soporte de garantía en la zona EEE* y Suiza, visite la dirección web que se incluye más abajo (la versión del archivo para imprimir esta disponible en nuestro sitio web) o póngase en contacto con el representante de Yamaha en su país. * EEE: Espacio Económico Europeo	
Avviso importante: informazioni sulla garanzia per i clienti residenti nell'EEA* e in Svizzera	Italiano
Per informazioni dettagliate sulla garanzia relativa a questo prodotto Yamaha e l'assistenza in garanzia nei paesi EEA* e in Svizzera, potete consultare il sito Web all'indirizzo riportato di seguito (è disponibile il file in formato stampabile) oppure contattare l'ufficio di rappresentanza locale della Yamaha. * EEA: Area Economica Europea	
Viktigt: Garantiinformation för kunder i EES-området* och Schweiz	Svenska
För detaljerad information om denna Yamahaprodukt samt garantiservice i hela EES-området* och Schweiz kan du antingen besöka nedanstående webbadress (en utskriftsvänlig fil finns på webbplatsen) eller kontakta Yamahas officiella representant i ditt land. * EES: Europeiska Ekonomiska Samarbetsområdet	

<http://europe.yamaha.com/warranty/>

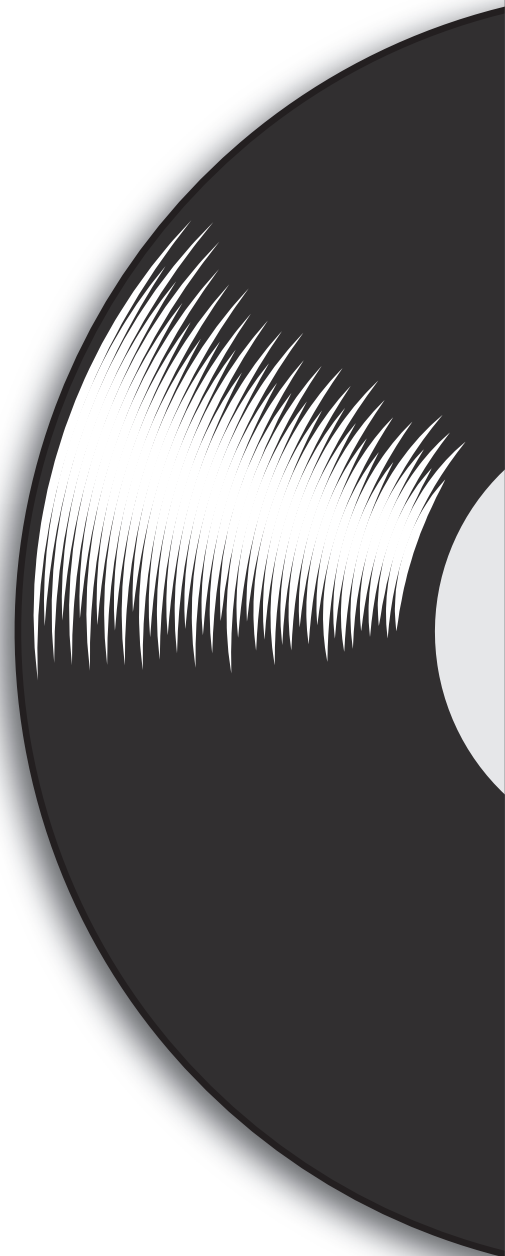
URL_4

Important Notice: Precautions and legal information for customers in European Economic Area (EEA), Switzerland and Turkey

Precautions and legal information:	English
For detailed precaution and legal information about this Yamaha product for customers in EEA* , Switzerland and Turkey, please visit the website address below or contact the Yamaha representative office in your country. * EEA: European Economic Area	
Sicherheitsvorkehrungen und rechtliche Hinweise:	Deutsch
Ausführliche Sicherheitsvorkehrungen und rechtliche Hinweise zu diesem Yamaha-Produkt für Kunden im EWR*, der Schweiz und der Türkei finden Sie auf der unten angegebenen Website, oder wenden Sie sich an eine Yamaha-Vertretung in Ihrem Land. * EWR: Europäischer Wirtschaftsraum	
Consignes et informations légales:	Français
Les clients résidant dans l'EEE*, en Suisse et en Turquie et souhaitant consulter les consignes détaillées et les informations légales sur ce produit Yamaha peuvent se rendre sur le site Web ci-dessous ou contacter leur bureau de représentation Yamaha local. * EEE : Espace économique européen	
Voorzorgen en juridische informatie:	Nederlands
Ga voor uitgebreide voorzorgen en juridische informatie met betrekking tot dit Yamaha-product voor klanten in de EER*, Zwitserland en Turkije naar de hieronder vermelde website of neem contact op met de Yamaha-vertegenwoordiger voor uw land. * EER: Europese Economische Ruimte	
Precauciones e información legal:	Español
Para obtener más detalles sobre las precauciones y la información legal de este producto Yamaha para clientes en el EEE*, Suiza y Turquía, visite el siguiente sitio web o póngase en contacto con el representante de Yamaha en su país. * EEE: Espacio Económico Europeo	
Precauzioni e informazioni legali:	Italiano
Per precauzioni e informazioni legali dettagliate su questo prodotto Yamaha per clienti in SEE*, Svizzera e Turchia, visitare il sito Web all'indirizzo seguente o rivolgersi all'ufficio di rappresentanza Yamaha nel proprio paese. *SEE: Spazio Economico Europeo	
Precauções e informações legais:	Português
Para obterem precauções detalhadas e informações legais sobre este produto da Yamaha, os clientes do EEE*, Suíça e Turquia devem visitar o endereço do website abaixo indicado ou contactar o representante da Yamaha nos respetivos países. * EEE: Espaço Económico Europeu	
Προφυλάξεις και νομικές πληροφορίες:	Ελληνικά
Για λεπτομερείς προφυλάξεις και νομικές πληροφορίες σχετικά με αυτό το προϊόν Yamaha για πελάτες στον ΕΟΧ*, την Ελλάδα και την Τουρκία, επισκεφτείτε την παρακάτω τοποθεσία web ή επικοινωνήστε με το γραφείο του αντιπροσώπου της Yamaha στη χώρα σας. * ΕΟΧ: Ευρωπαϊκός Οικονομικός Χώρος	
Försiktighetsåtgärder och juridisk information:	Svenska
Besök webbplatsen med adress nedan eller kontakta ditt lands Yamaha-representant för detaljerad juridisk information och information om försiktighetsåtgärder för kunder i EES*, Schweiz och Turkiet. * EES: Europeiska ekonomiska samarbetsrådet	
Forholdsregler og juridiske oplysninger:	Dansk
Kunder i EØS-landene*, Schweiz og Tyrkiet kan få detaljerede forholdsregler og juridiske oplysninger om dette Yamaha-produkt ved at gå til nedenstående websted eller kontakte Yamahas repræsentationskontor i deres land. * EØS: Det Europæiske Økonomiske Samarbejdsråd	
Varoimet ja oikeudelliset tiedot:	Suomi
Tämän Yamaha-tuotteen yksityiskohtaiset varoimet ja oikeudelliset tiedot asiakkaille ETA:ssa*, Sveitsissä ja Turkissa ovat saatavilla alla olevasta osoitteesta tai paikalliselta Yamaha-edustajalta. *ETA: Euroopan talousalue	

Środki ostrożności i informacje prawne:	Polski
Szczegółowe środki ostrożności i informacje prawne dotyczące niniejszego produktu firmy Yamaha dla klientów w obszarze EOG*, Szwajcarii i Turcji są dostępne w witrynie internetowej pod adresem podanym poniżej oraz u krajowego przedstawiciela firmy Yamaha. * EOG: Europejski Obszar Gospodarczy	
Bezpečnostní opatření a právní informace:	Čeština
Podrobná bezpečnostní opatření a právní informace související s tímto produktem Yamaha pro zákazníky v EHP*, Švýcarsku a Turecku najdete na webových stránkách uvedených níže, případně si je můžete vyžádat u zastoupení společnosti Yamaha ve vaší zemi. * EHP: Evropský hospodářský prostor	
Óvórendszabályok és jogi információk:	Magyar
A Yamaha termékkel kapcsolatos, az EGT*-országokban, Svájcban és Törökországban érvényes óvórendszabályok és jogi információk megtekintéséhez keresse fel az alább feltüntetett webhelyet, vagy érdeklődjön országá Yamaha képviselőjénél. *EGT: Európai Gazdasági Térség	
Ettevaatusabinõud ja õigusteave:	Eesti
EMP*, Šveitsi ja Türgi klientide mõeldud üksikasjalikud ettevaatusabinõud ja õigusteabe selle Yamaha toote kohta leiate alljärgnevalt veebisaidilt või pöörduge vastavas riigis olevasse Yamaha esinduskontorisse. * EMP: Euroopa Majanduspiirkond	
Piesardzības pasākumi un juridiskie aspekti:	Latviski
Lai pircēji no EEZ*, Šveices un Turcijas uzzinātu vairāk par piesardzības pasākumiem un juridiskajiem aspektiem, apmeklējiet tālāk norādīto tīmekļa vietni vai sazinieties ar „Yamaha” pārstāvniecību savā valstī. * EEZ: Eiropas Ekonomikas zona	
Atsargumo priemonės ir teisinė informacija:	Lietuvių k.
Šio EEE*, Šveicarijos ir Turkijos klientams skirto „Yamaha” gaminio išsamias atsargumo priemones ir teisinę informaciją rasite toliau nurodytoje žiniatinklio svetainėje arba jų teiraukitės savo šalies „Yamaha” atstovybėje. * EEE: Europos ekonominė erdvė	
Preventívne opatrenia a právne informácie:	Slovensky
Podrobnosti k preventívnym opatreniam a právnym informáciám týkajúcim sa tohto výrobku od spoločnosti Yamaha pre zákazníkov v EHP*, Švajčiarsku a Turecku nájdete na webovej stránke uvedenej nižšie alebo sa obráťte na zastúpenie spoločnosti Yamaha vo vašej krajine. * EHP: Európsky hospodársky priestor	
Previdnostni ukrepi in pravne informacije:	Slovenščina
Za podrobne previdnostne ukrepe in pravne informacije o tem izdelku Yamaha za stranke v EGP*, Švici in Turčiji obiščite spodnje spletno mesto ali stopite v stik s predstavništvom Yamaha v svoji državi. * EGP: Evropski gospodarski prostor	
Предпазни мерки и правна информация:	Български
За подробни предпазни мерки и правна информация относно този продукт на Yamaha за потребители в ЕИП*, Швейцария и Турция, моля, посетете адреса на уеб сайта по-долу или се свържете с представителство на Yamaha във вашата държава. * ЕИП: Европейско икономическо пространство	
Măsuri de precauție și informații juridice:	Română
Pentru detalii privind măsurile de precauție și informații juridice referitoare la acest produs Yamaha pentru clienții din ZEE*, Elveția și Turcia, vizitați site-ul web de la adresa de mai jos sau contactați biroul reprezentanței Yamaha din țara dvs. *ZEE: Zona Economică Europeană	
Mjere opreza i pravne informacije:	Hrvatski
Detaljne mjere opreza i pravne informacije o ovom Yamahinu proizvodu za kupce u EGP-u*, Švicarskoj i Turskoj potražite na mrežnoj stranici u nastavku ili se obratite predstavniku tvrtke Yamaha za svoju zemlju. * EGP: Europski gospodarski prostor	
Önlemler ve yasal bilgiler:	Türkçe
AEA*, İsviçre ve Türkiye'de bulunan ve bu Yamaha ürününün önlemleri ve yasal bilgileri hakkında daha fazla bilgi edinmek isteyen müşterilerimiz aşağıda verilen web sitesini ziyaret edebilir veya ilgili ülkede bulunan yetkili Yamaha temsilcisine iletişime geçebilir. *AEA: Avrupa Ekonomik Alanı	

<http://europe.yamaha.com/precautions/>



YAMAHA CORPORATION

10-1 Nakazawa-cho, Naka-ku, Hamamatsu, 430-8650 Japan

Yamaha Global Site
<https://www.yamaha.com/>
Yamaha Downloads
<https://download.yamaha.com/>

Manual Development Group
© 2018 Yamaha Corporation

Published 08/2018 IPOD-A0

AV17-0346